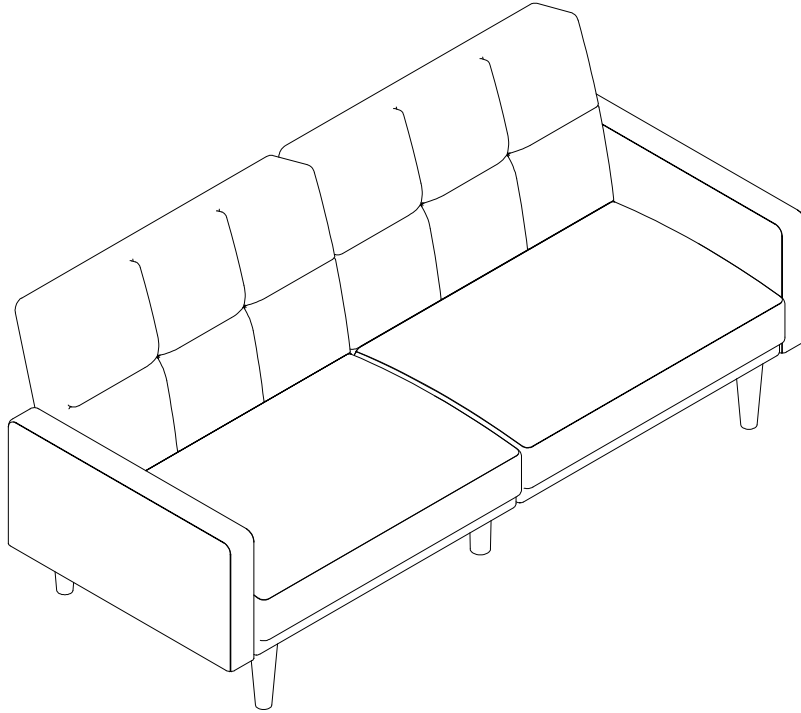
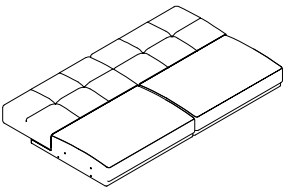
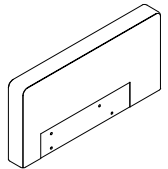
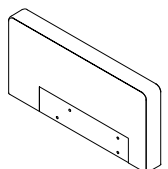



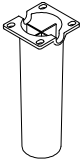




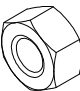
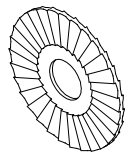
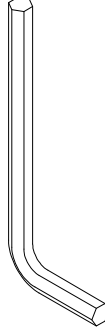
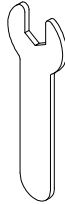
Assembly instruction



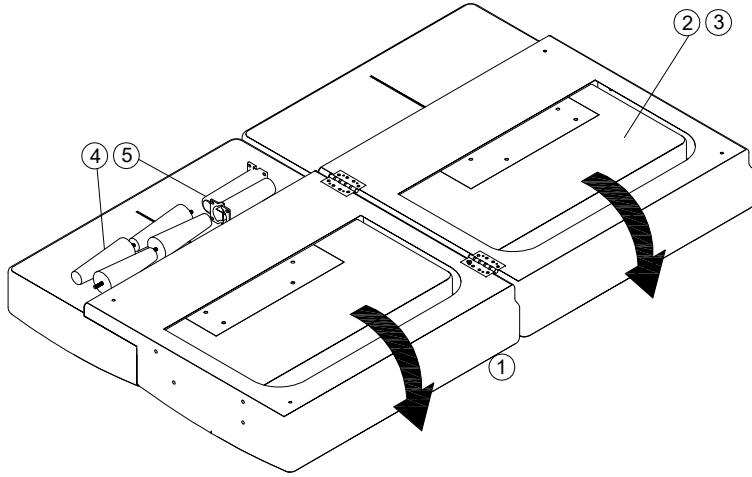
PARTS:

① Seat QTY: 1	② Right Arm QTY: 1	③ Left Arm QTY: 1	④ Leg QTY: 4
			



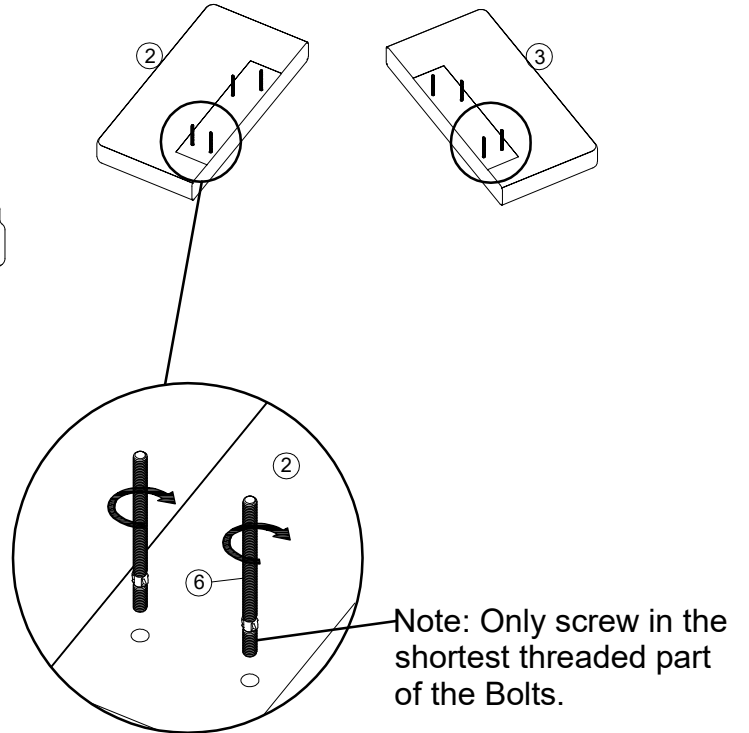
<p>⑤ Middle Leg QTY: 2</p>	<p>⑥ 5/16" X 120mm QTY: 8</p>	<p>⑦ M6 X 10mm QTY: 8</p>	<p>⑧ Washer 5/16" QTY: 8</p>
			
<p>⑨ Spring Washer 5/16" QTY: 8</p>	<p>⑩ Nut 5/16" QTY: 8</p>	<p>⑪ Plastic Washer M8 QTY: 4</p>	<p>⑫ L-Allen Key 4mm QTY: 1</p>
			
<p>⑬ Wrench QTY: 1</p>			
			

Step 1:

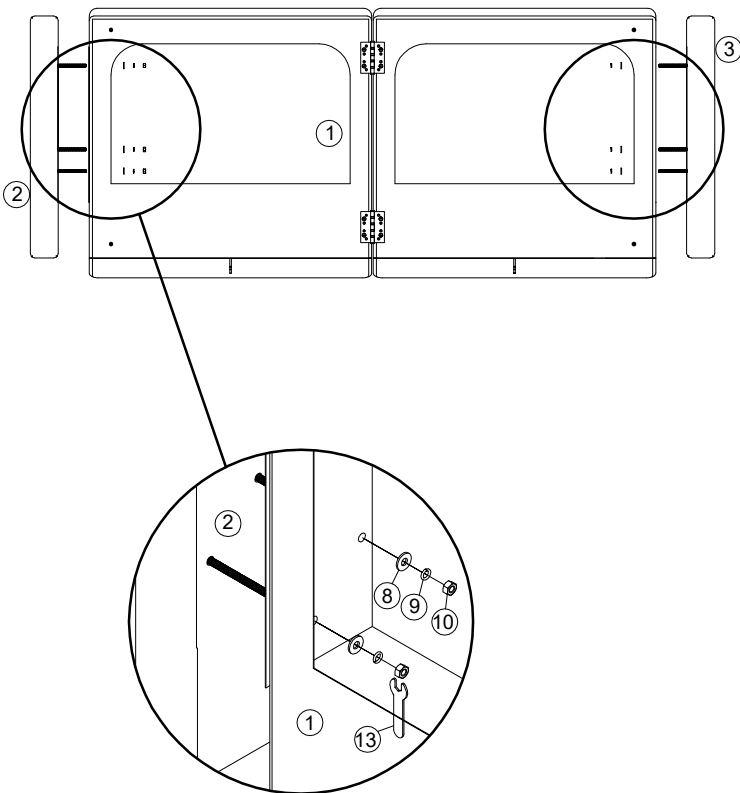


The arms and legs will be found in the compartment under the seat as shown.

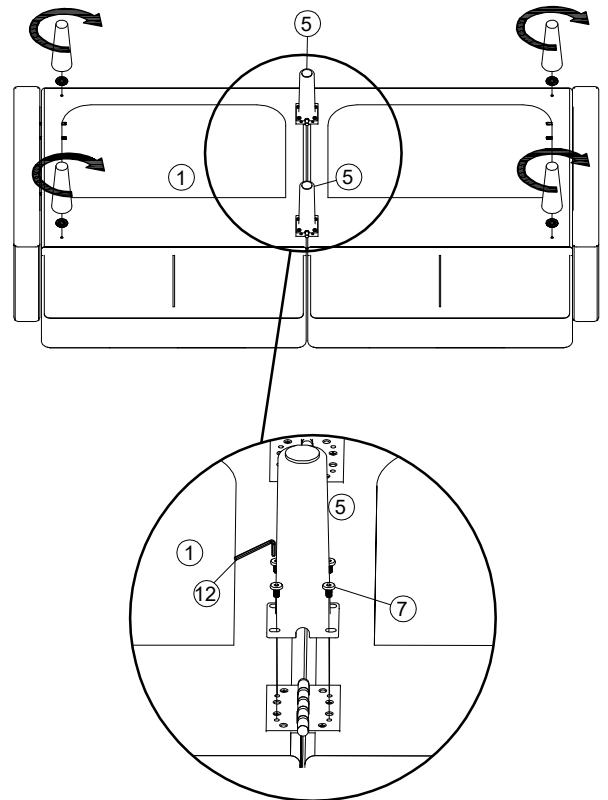
Step 2:



Step 3:



Step 4:



FUNCTIONS:

