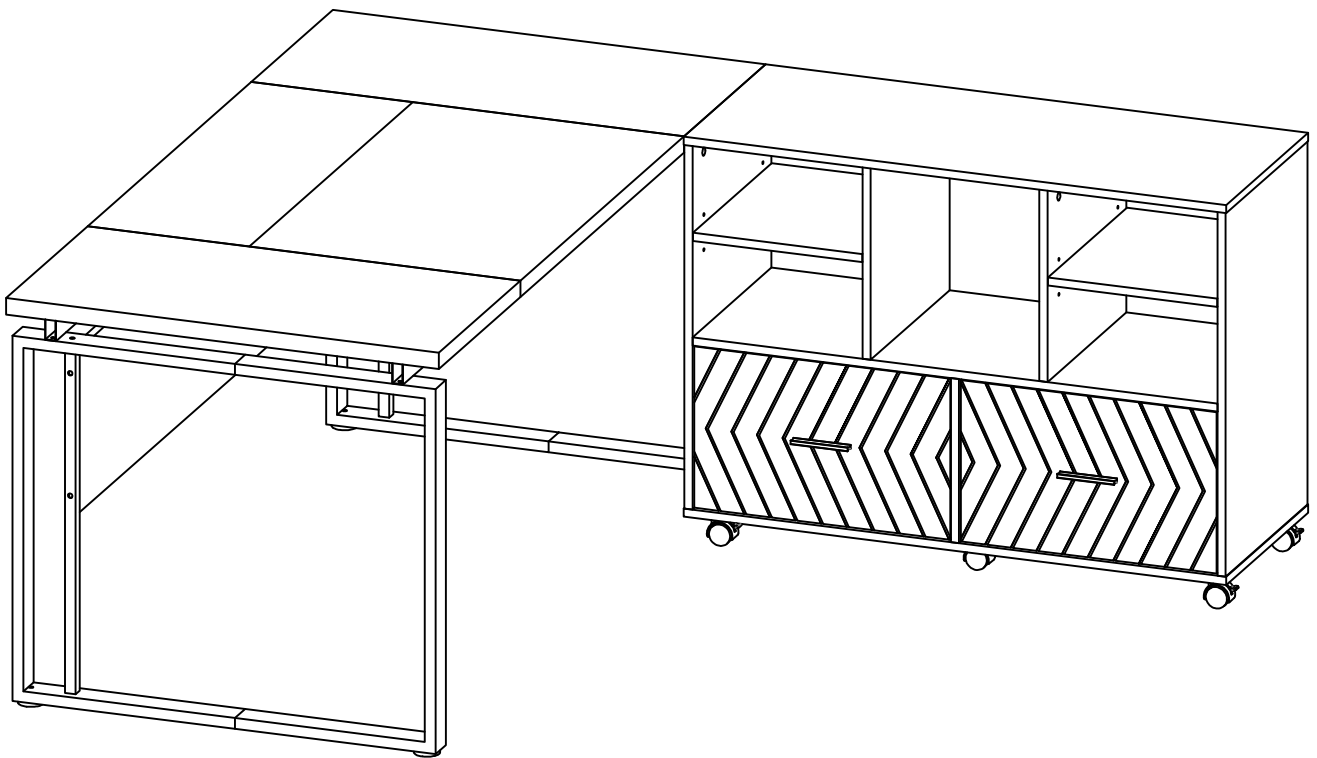


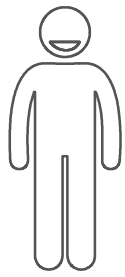
Assembly Instructions



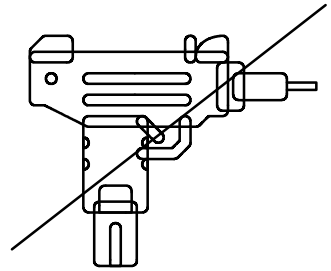
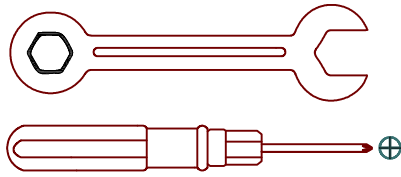
Executive Office Desk with File Cabinet

Assembly Instructions:

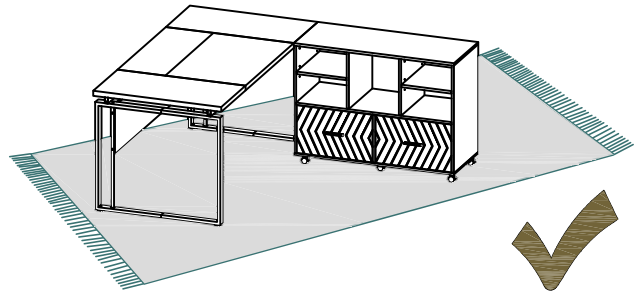
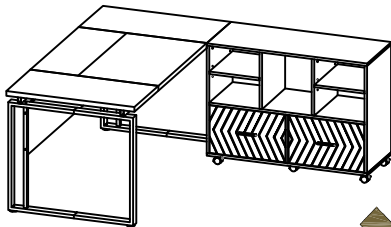
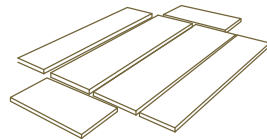
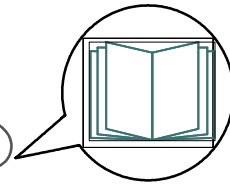
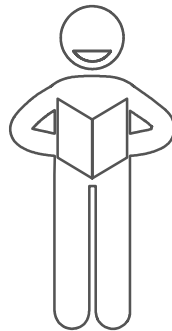
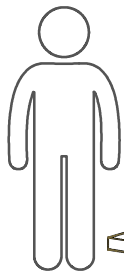
1. Carefully read these instructions and keep them for future reference.
 2. Refer to the parts list for guidance and ensure that you have all the pieces before starting the assembly process, if anything is missing, damaged, incorrect, contact us **FIRSTLY BEFORE** assembling.
 3. When assembling, place all parts on a soft, clean, and flat surface, such as a carpet, to prevent any scratches.
 4. To avoid misalignment of the holes, Please don't full tighten the screws until you ensure all parts in place.
-

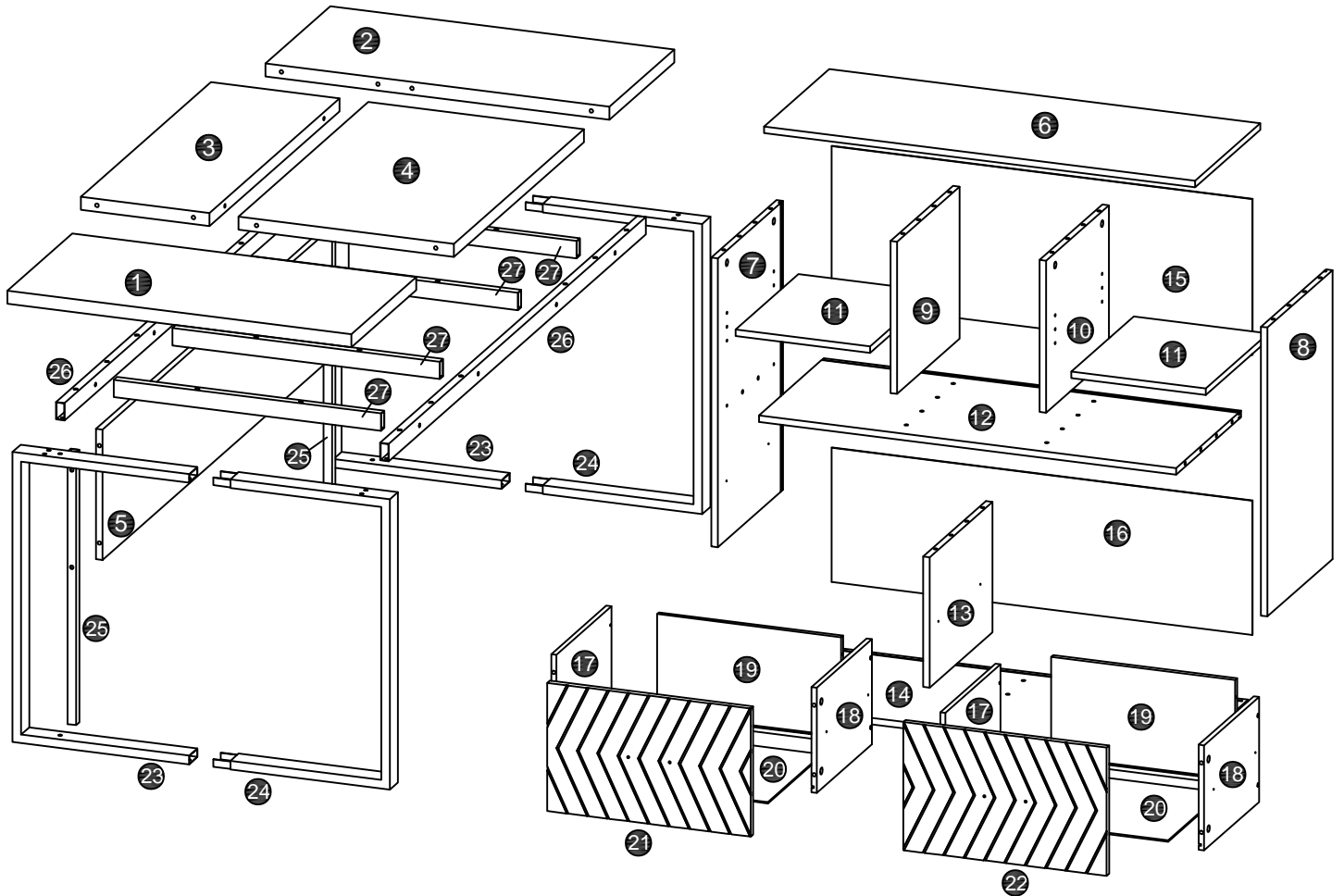


X2



When using the electric screwdriver ,
Reduce the power and torque to avoid damaging the furniture

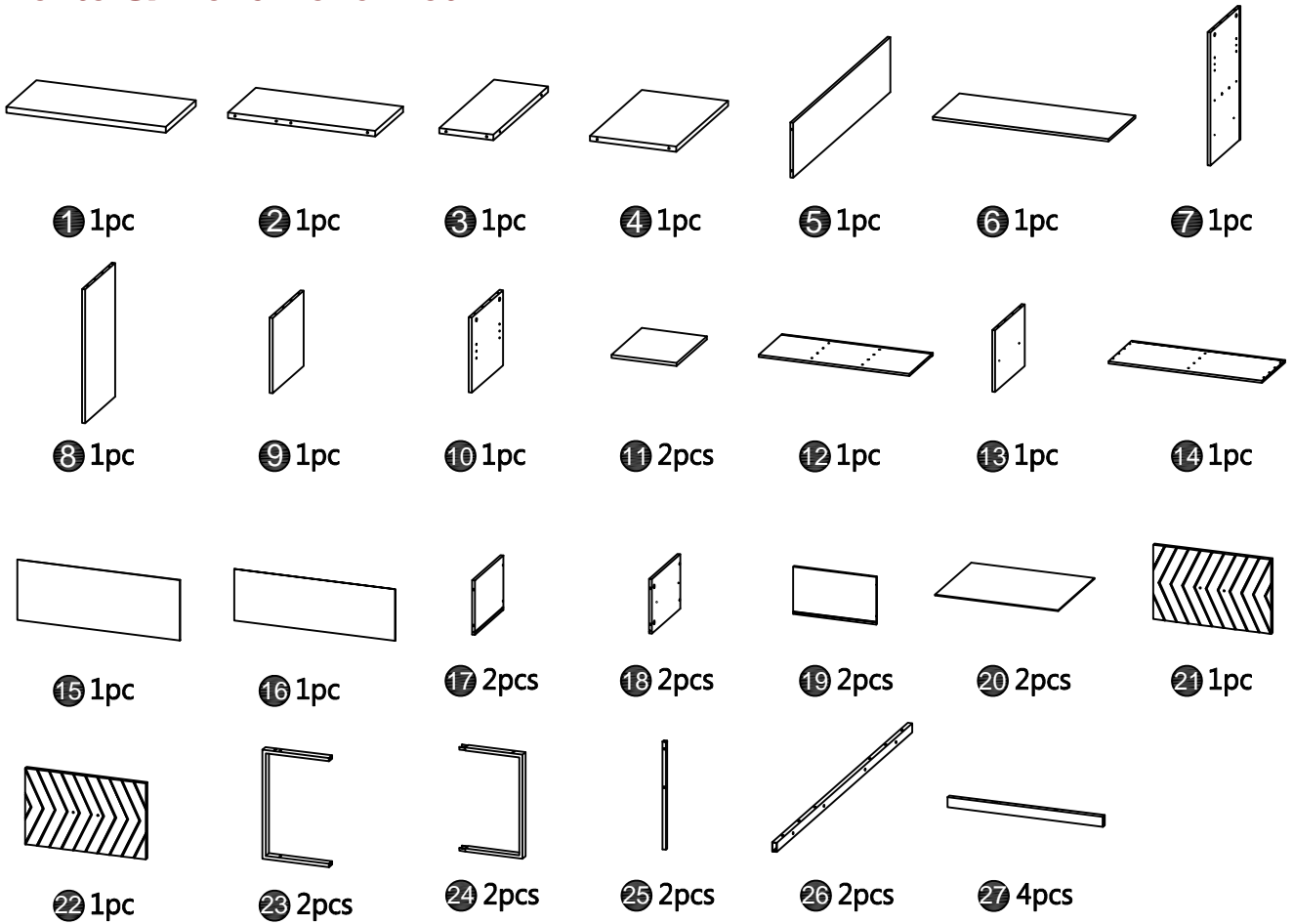




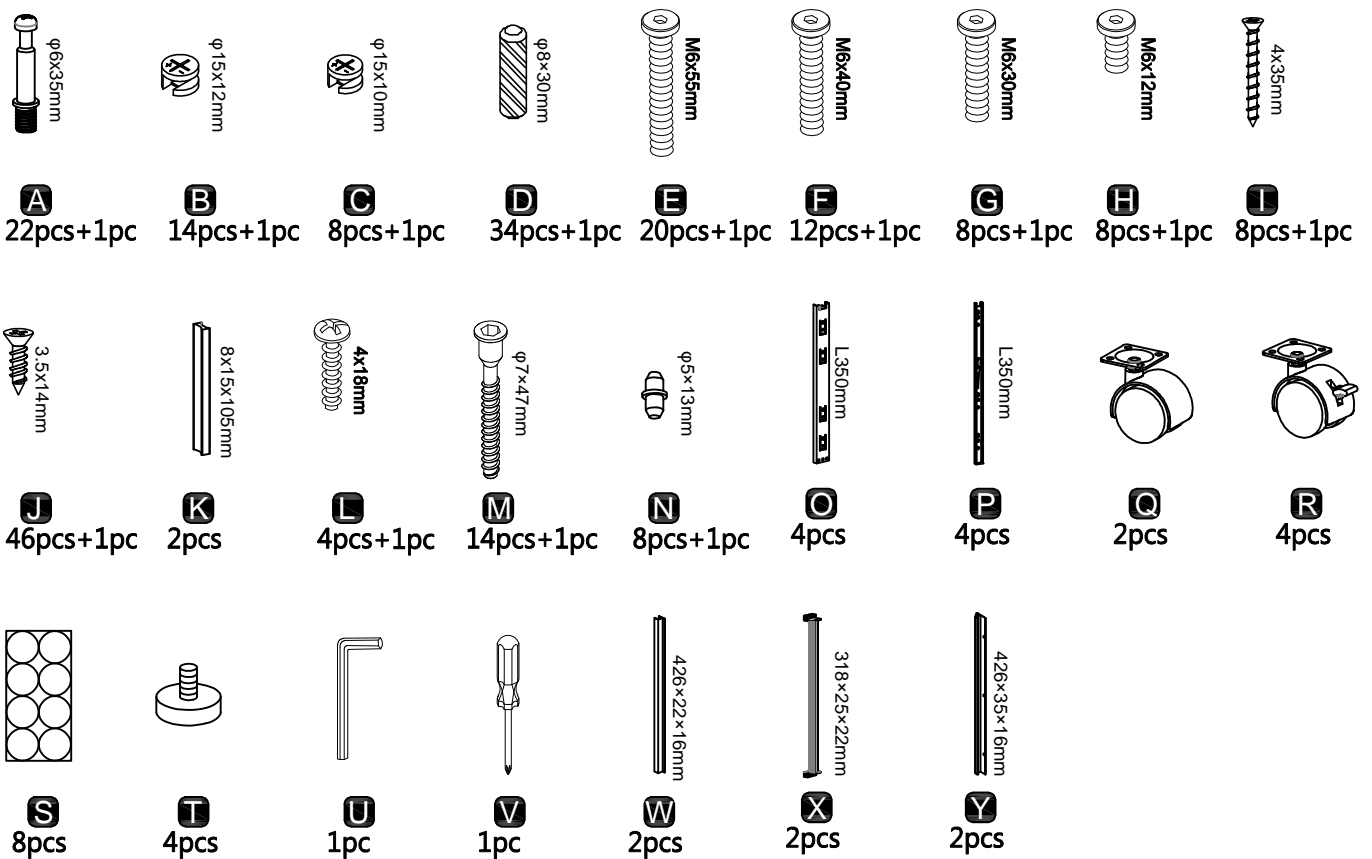
⚠ Caution

Make sure all parts are included. Most board parts are labeled or stamped on the raw edge. contact us for free replacement if having damaged or missing parts.

Parts & Hardware List

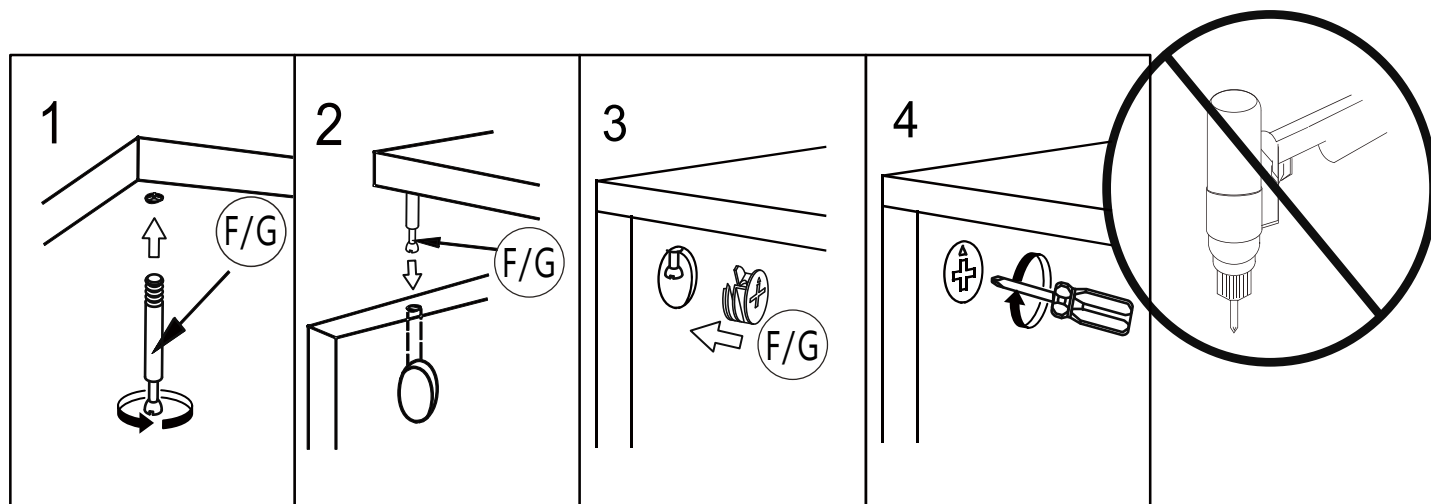


Hardware List

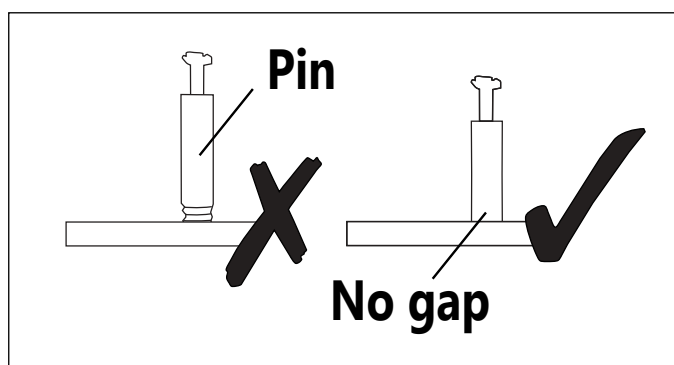


Installation of Cams and Pins

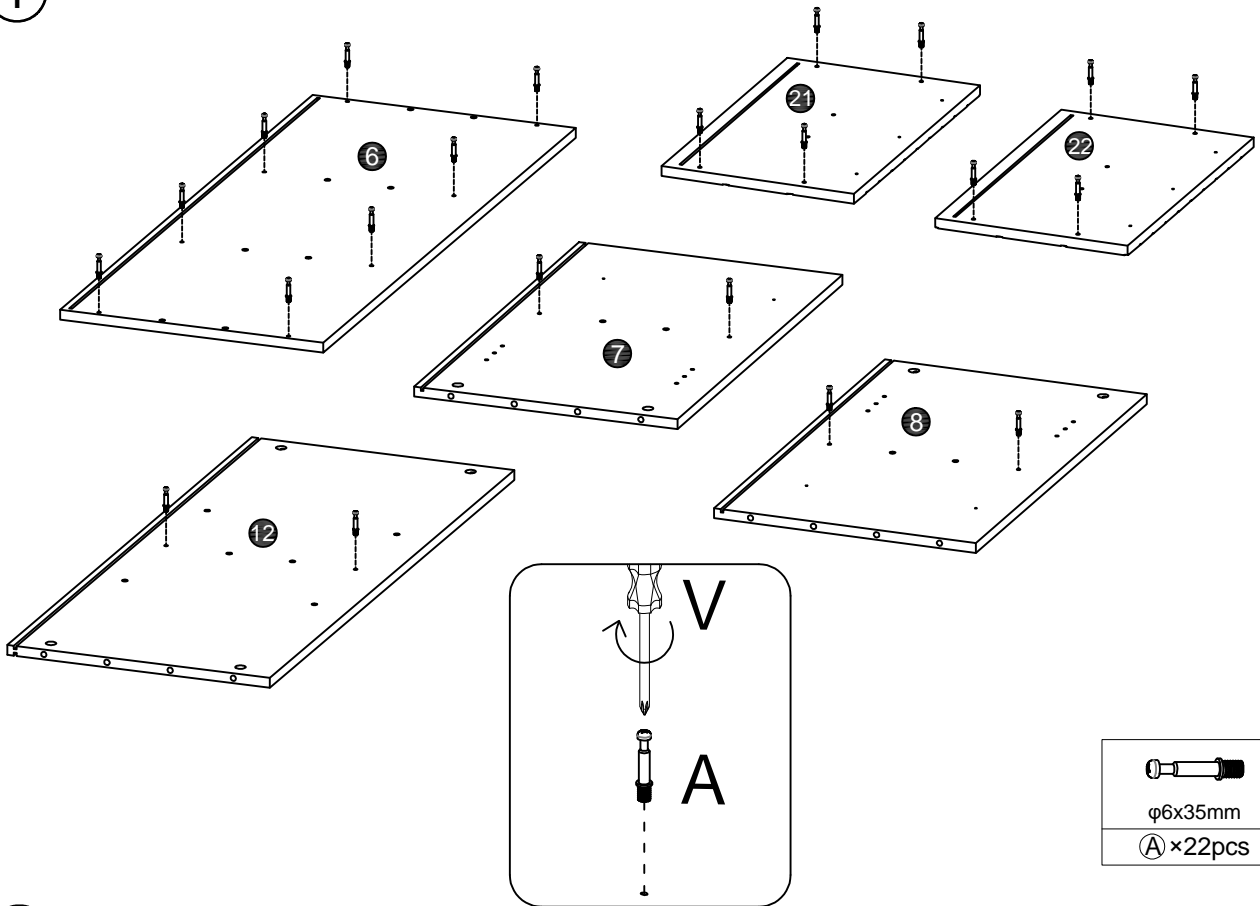
Screw the pin into the hole. To set the cams correctly, ensure that the arrow on the cam is opening to the hole of the pin it is locking. Lock the cam by turning the cam head with a screwdriver until it is tightened. Please do not use an electric screwdriver to assemble the unit.



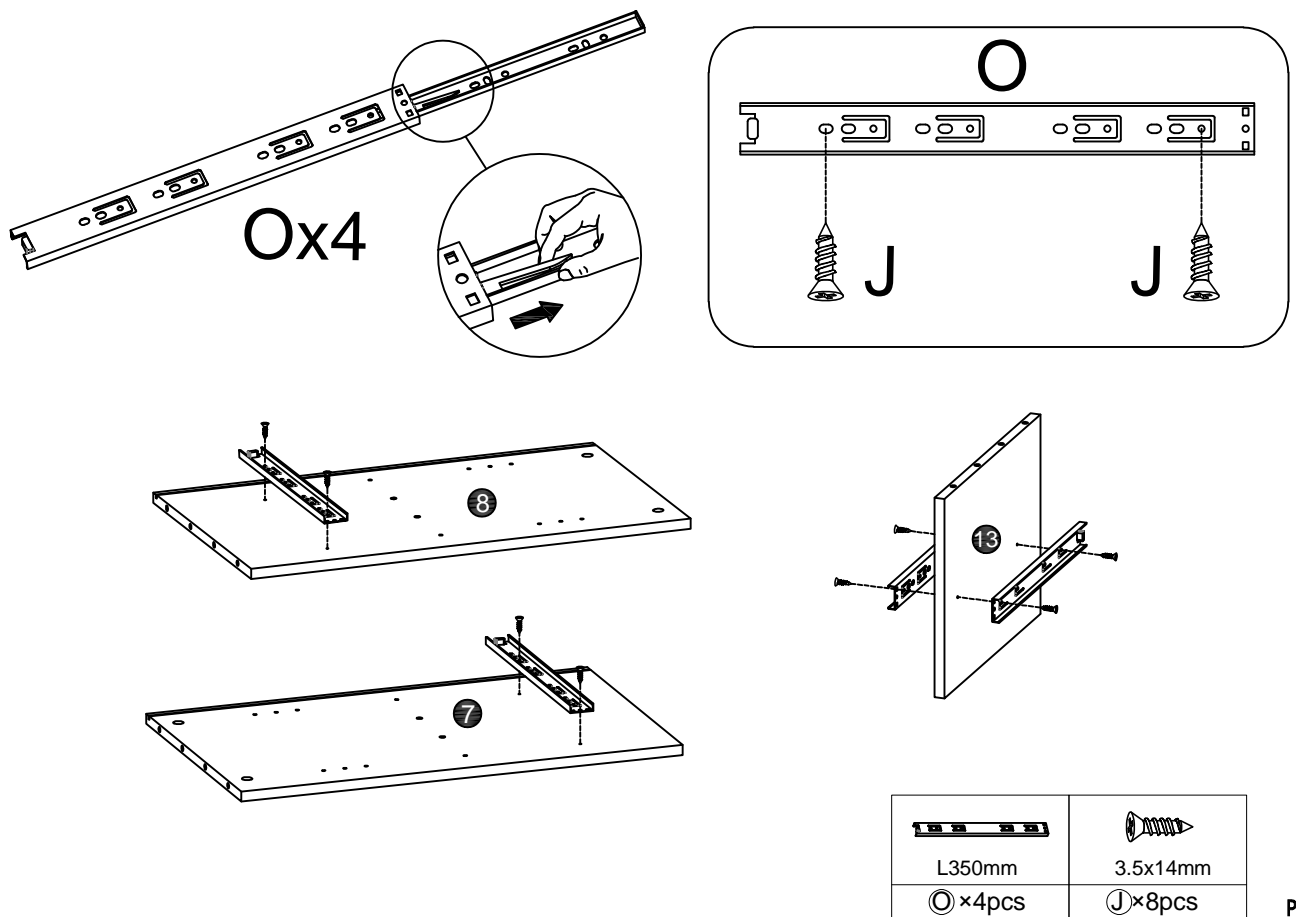
Read each step carefully before starting. It is very important that each step of instruction is performed in the correct order. If these steps are not followed in sequence, assembly difficulties will occur.



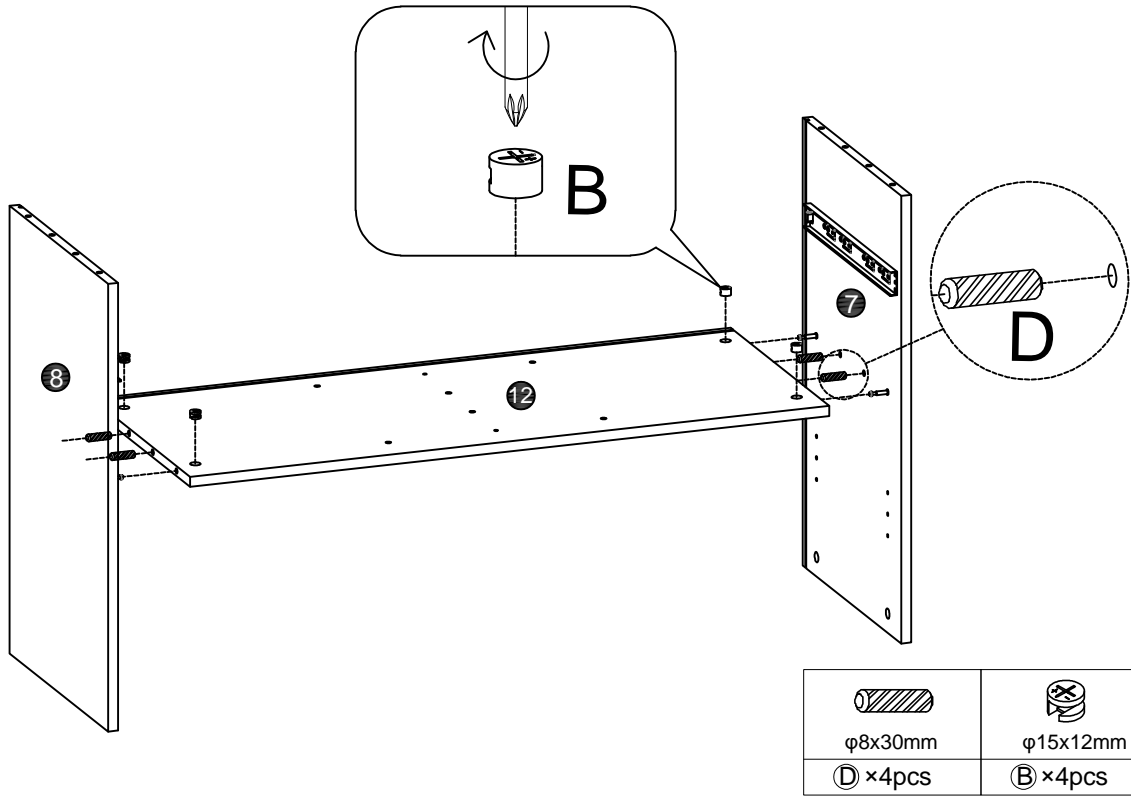
1



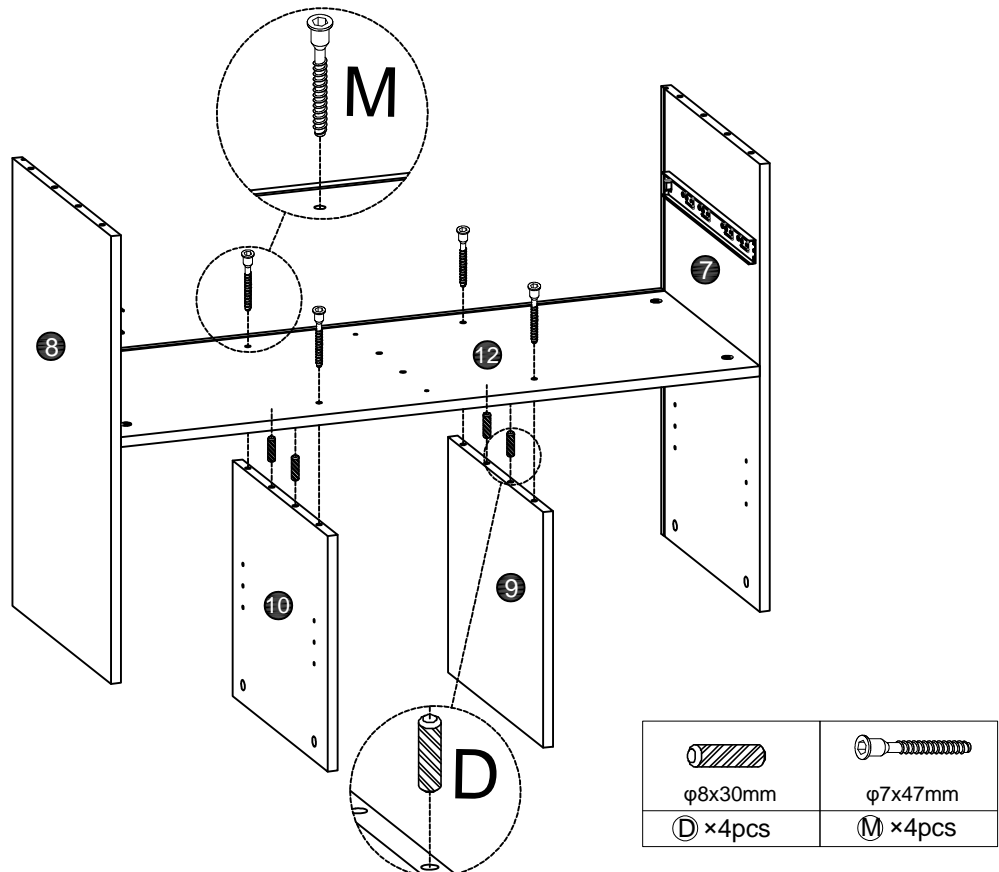
2



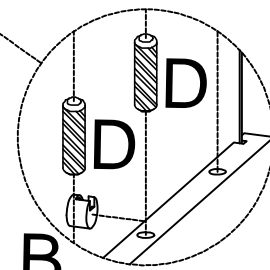
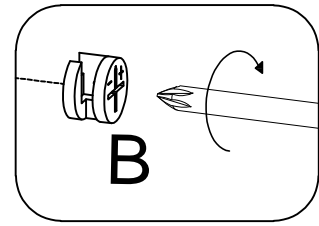
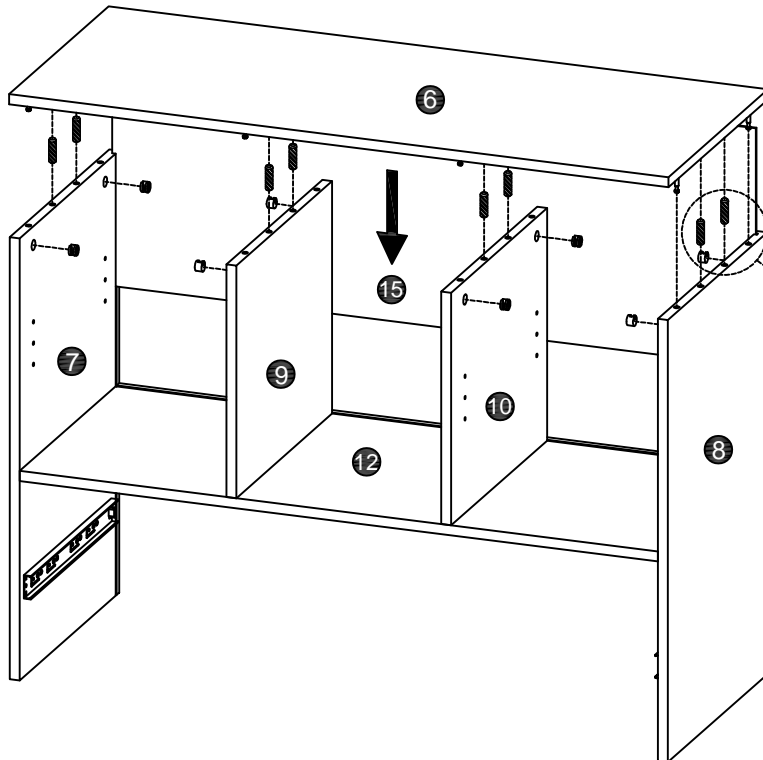
3





4

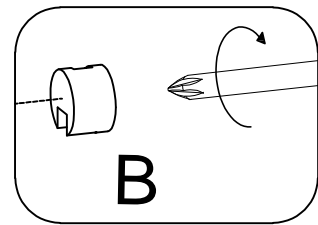
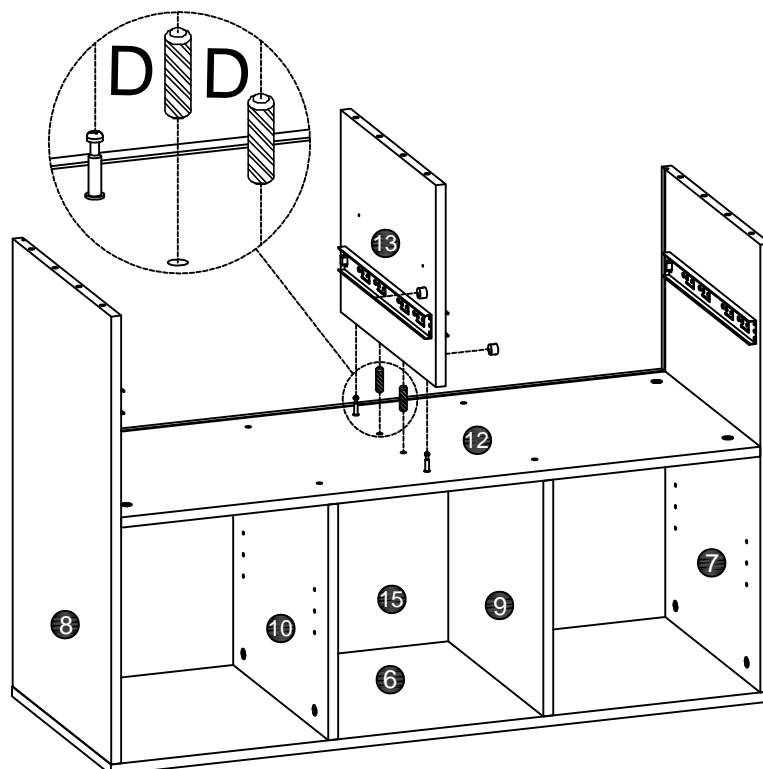




5



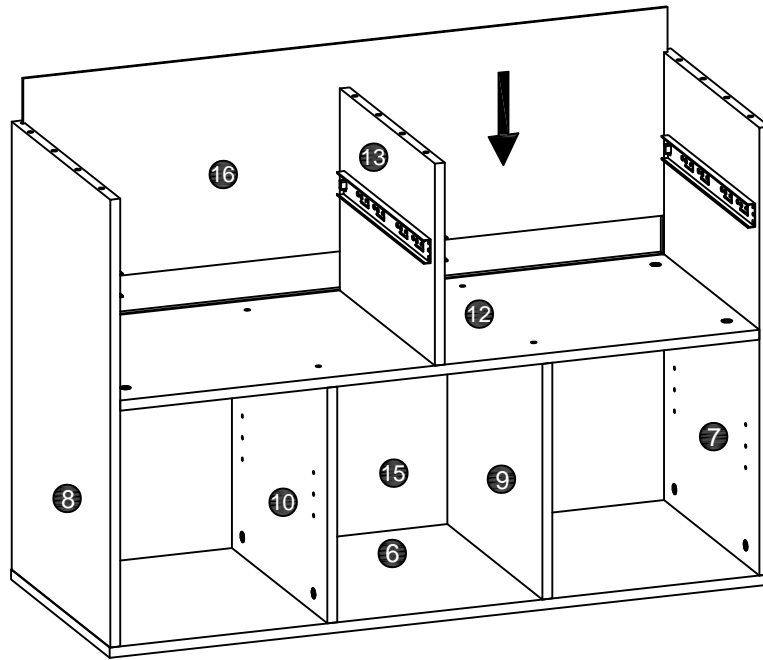
	
φ8x30mm	φ15x12mm
Ⓓ ×8pcs	Ⓑ ×8pcs

6

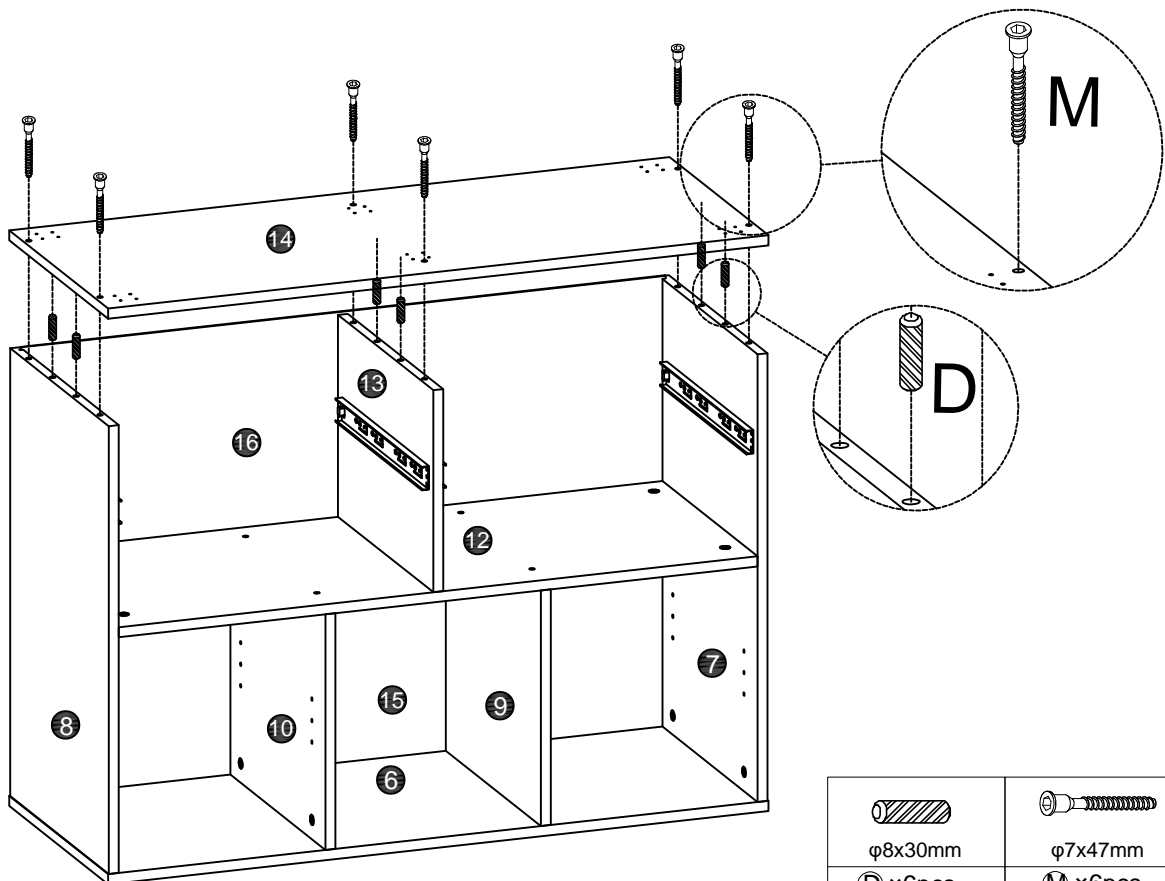


	
φ8x30mm	φ15x12mm
Ⓓ ×8pcs	Ⓑ ×8pcs

7

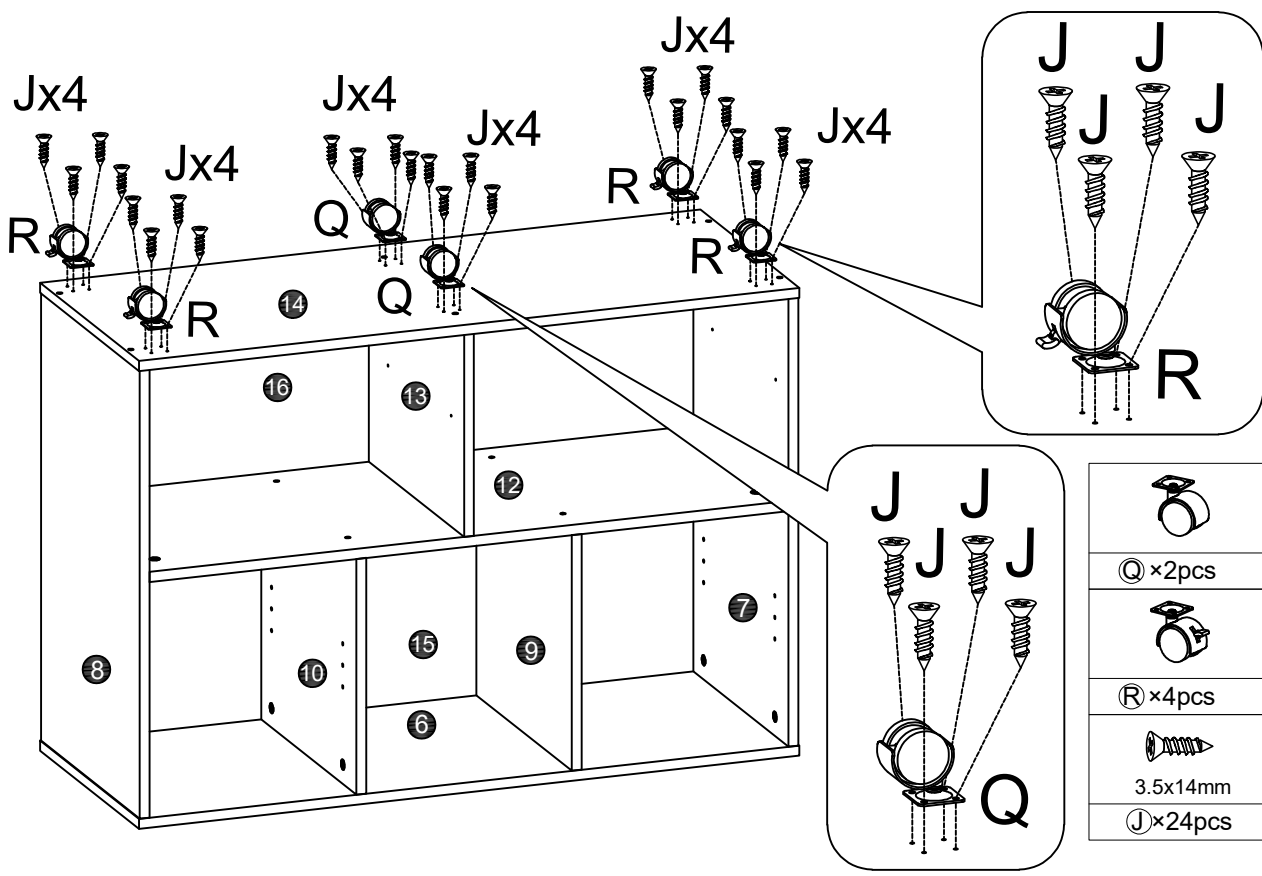


8

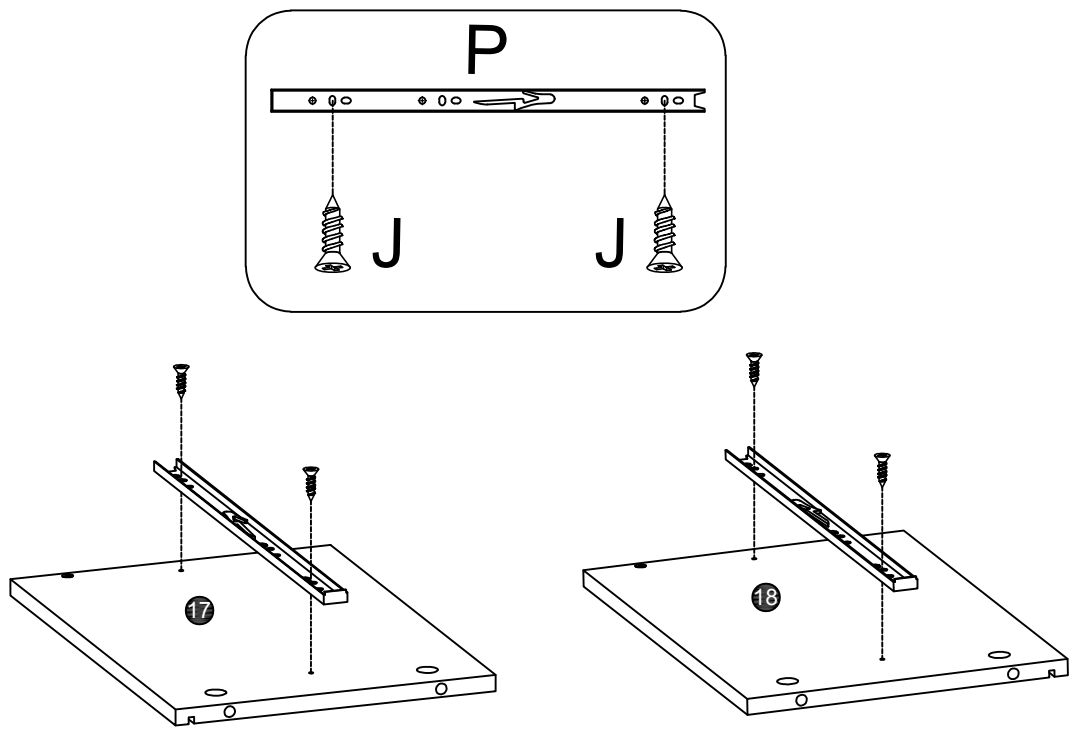


 φ8x30mm	 φ7x47mm
D ×6pcs	M ×6pcs

9



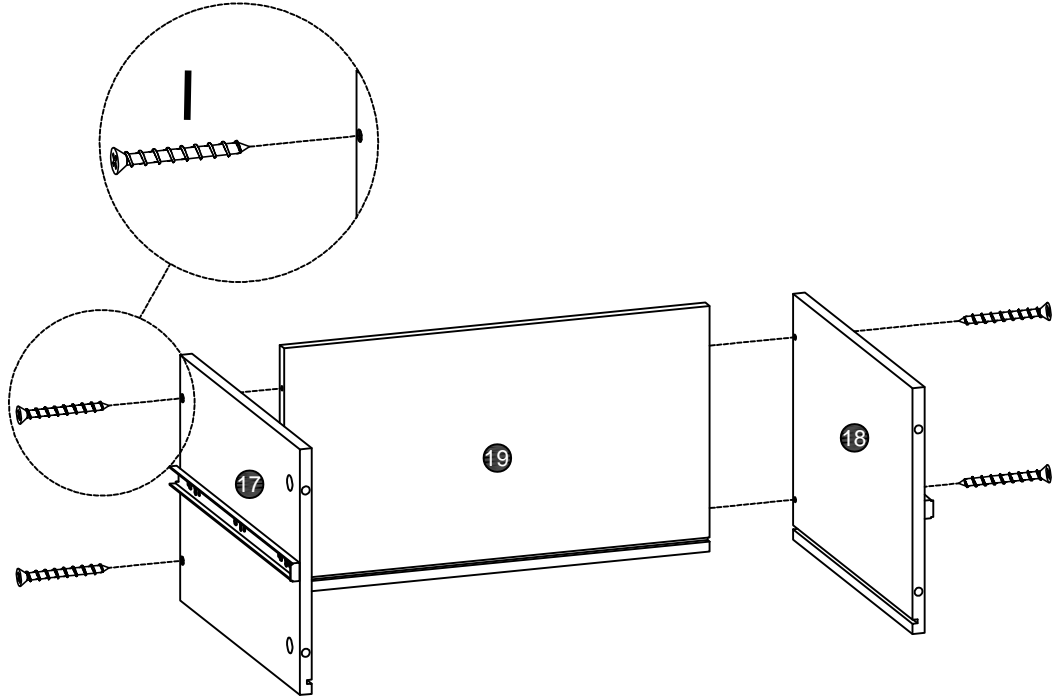
10



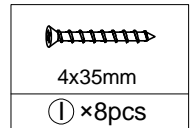
x2

L350mm	3.5x14mm
P × 4 pcs	J × 8 pcs

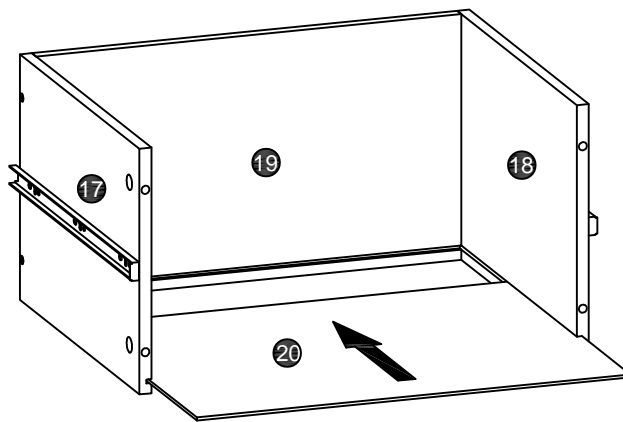
11



x2

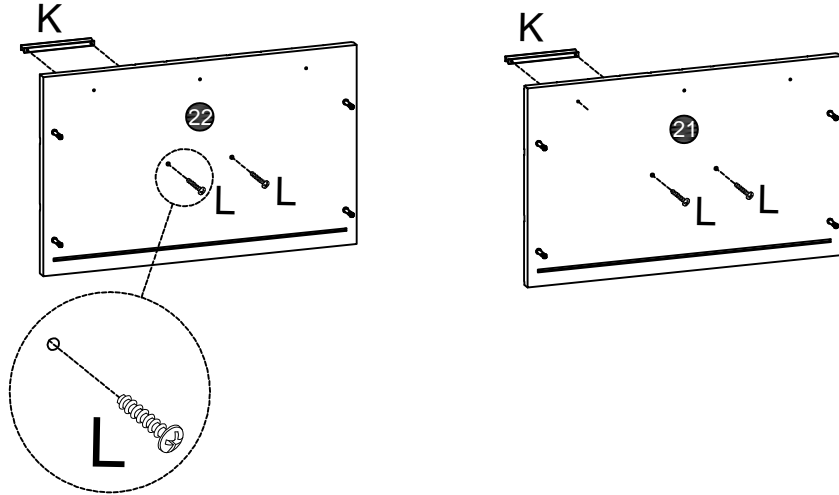



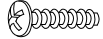
12



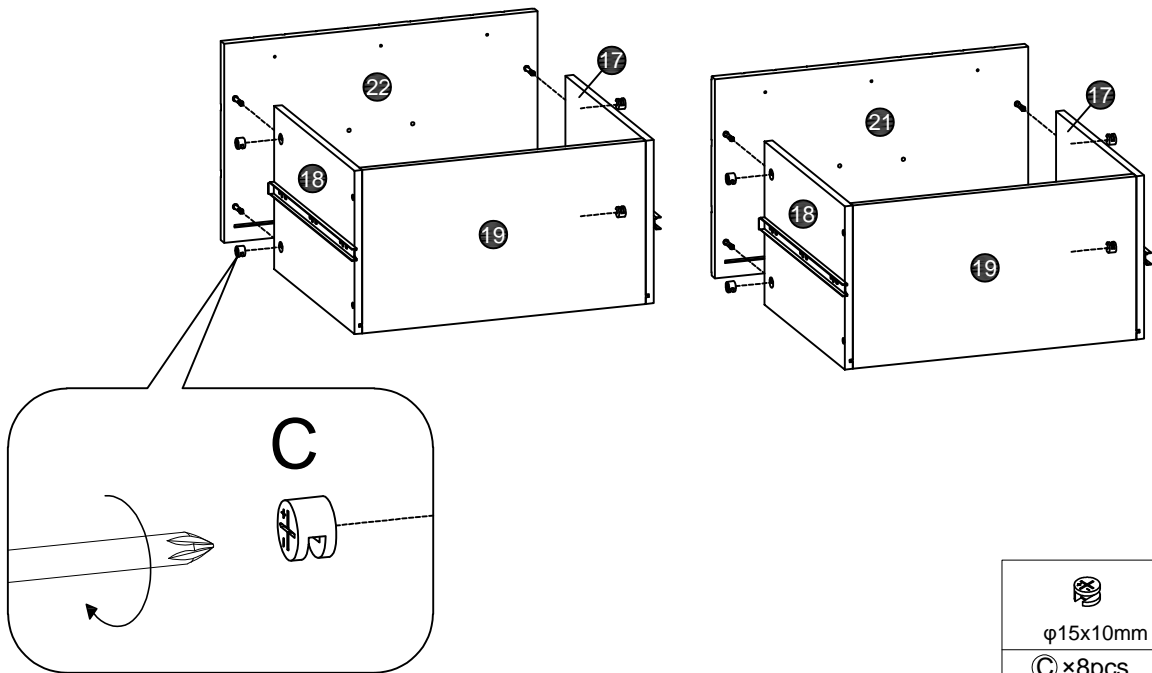
x2


13



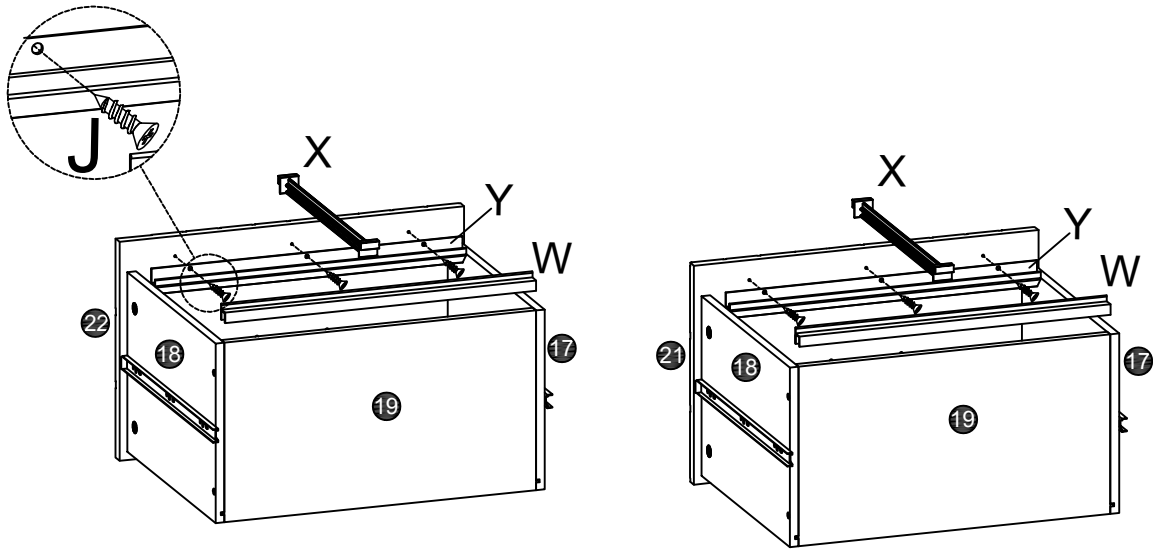
	
8x15x105mm	4x18mm
K × 2pcs	L × 4pcs





14



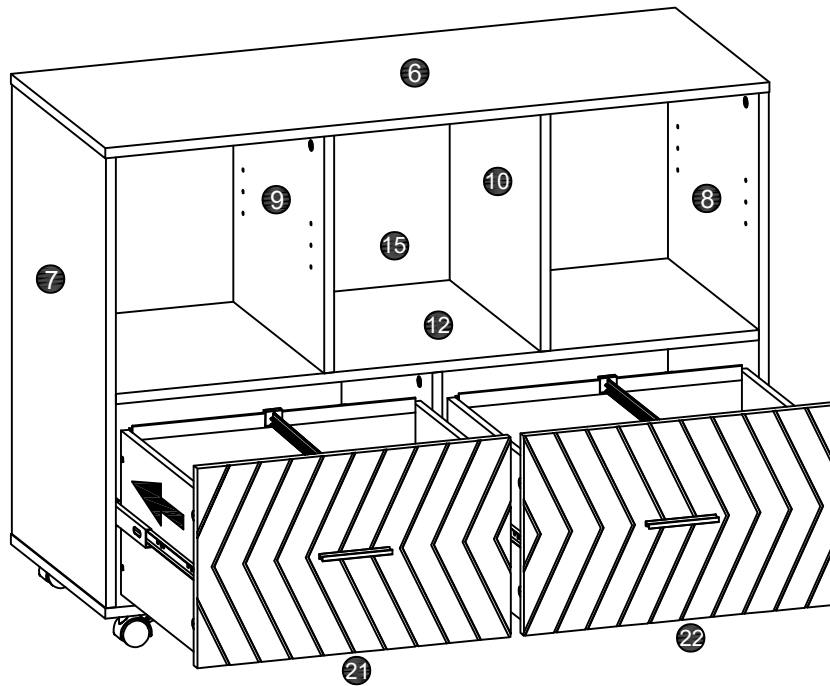

φ15x10mm
C × 8pcs

15

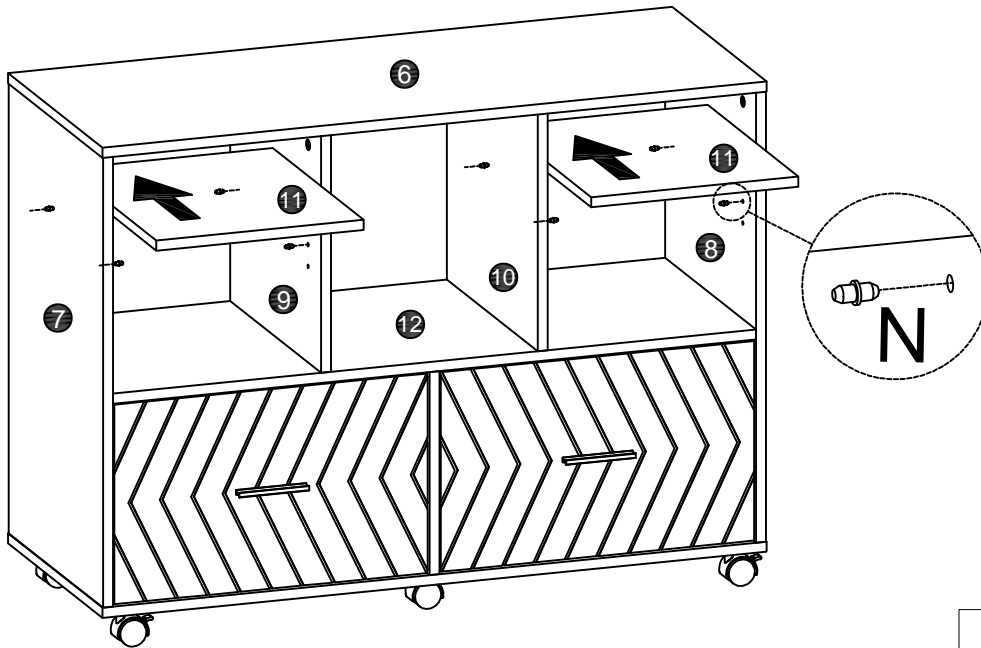


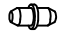
			
426×22×16mm	426×35×16mm	3.5×14mm	318×25×22mm
W ×2pcs	Y ×2pcs	J ×6pcs	X ×2pcs

16

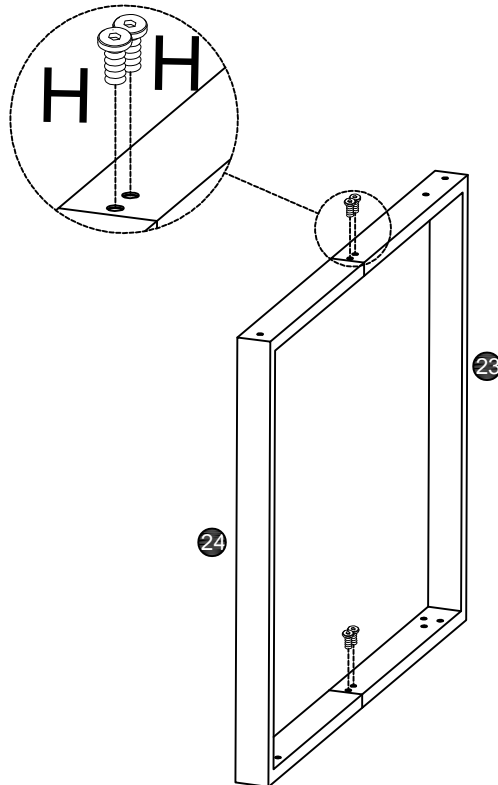


17

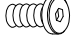



φ6x35mm
(N) ×8pcs

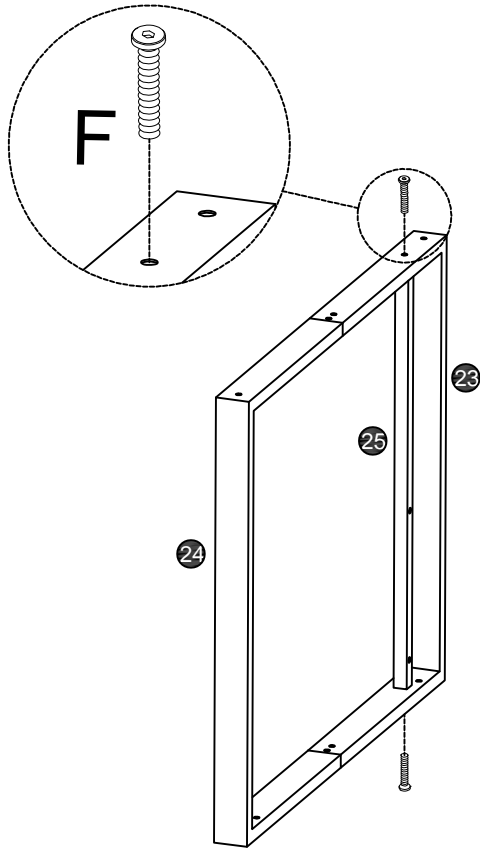
18



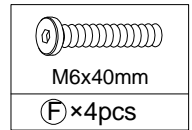
x2


M6×12mm
(H) ×8pcs

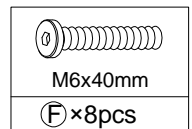
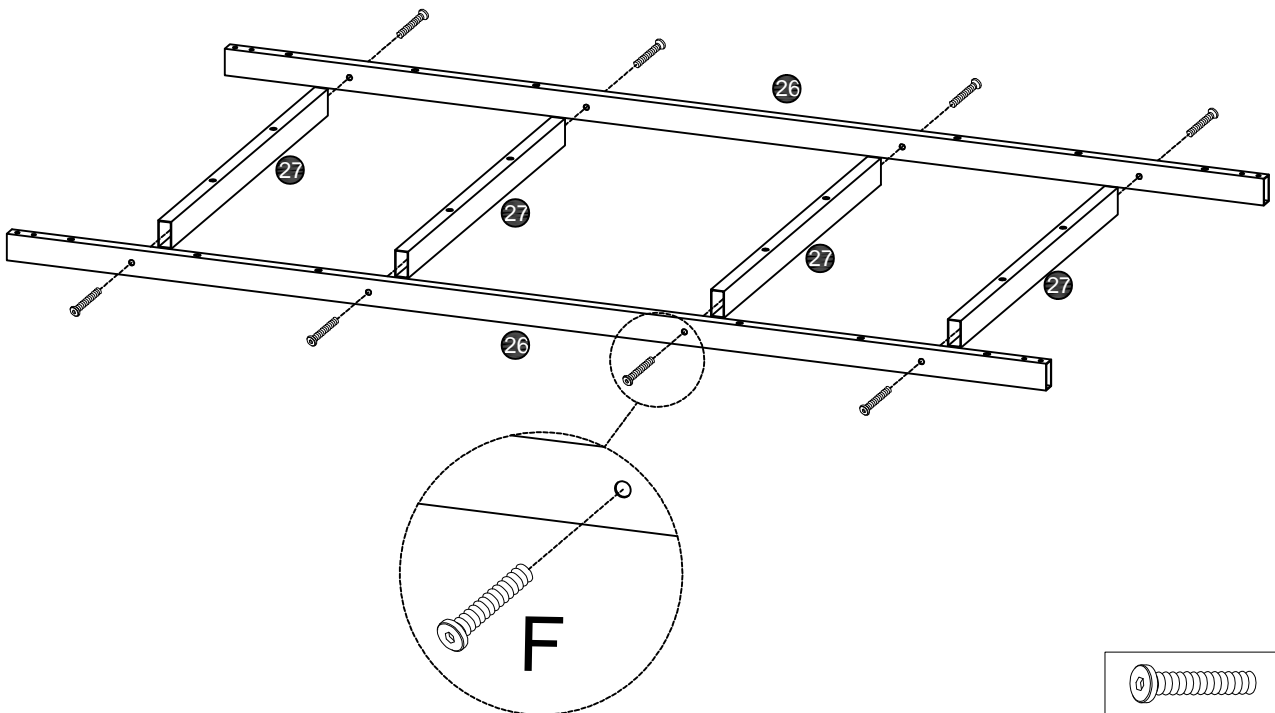
19



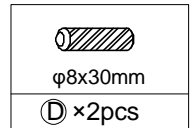
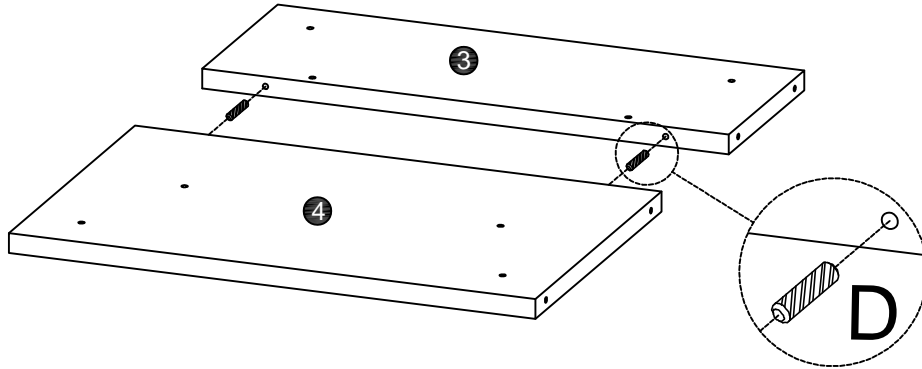
x2



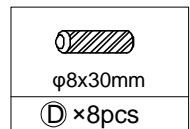
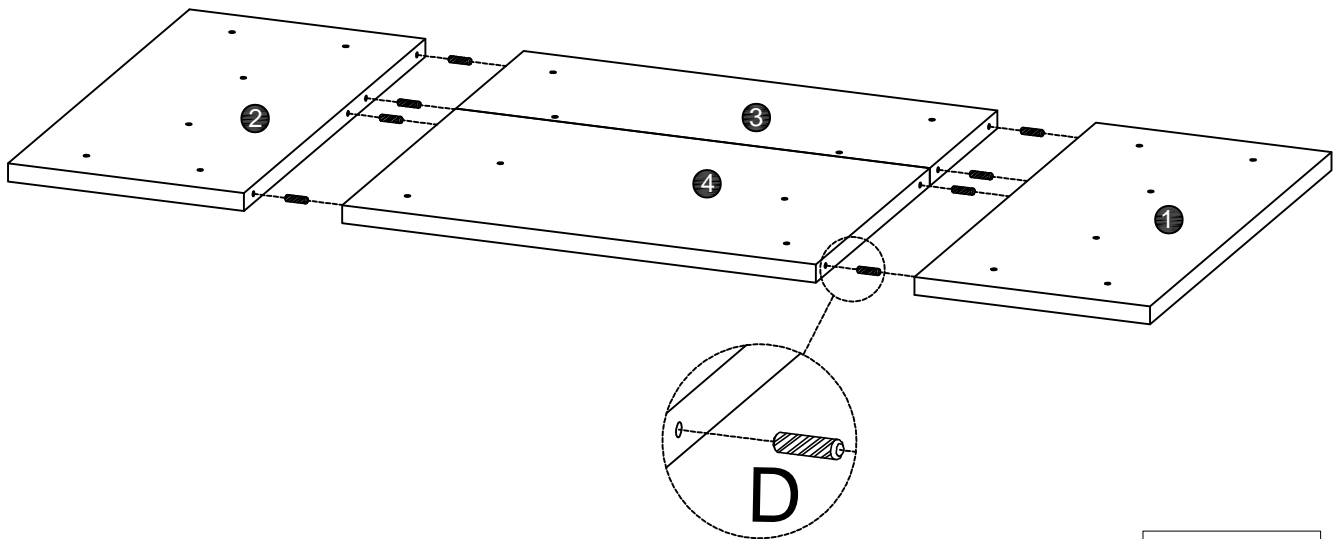
20



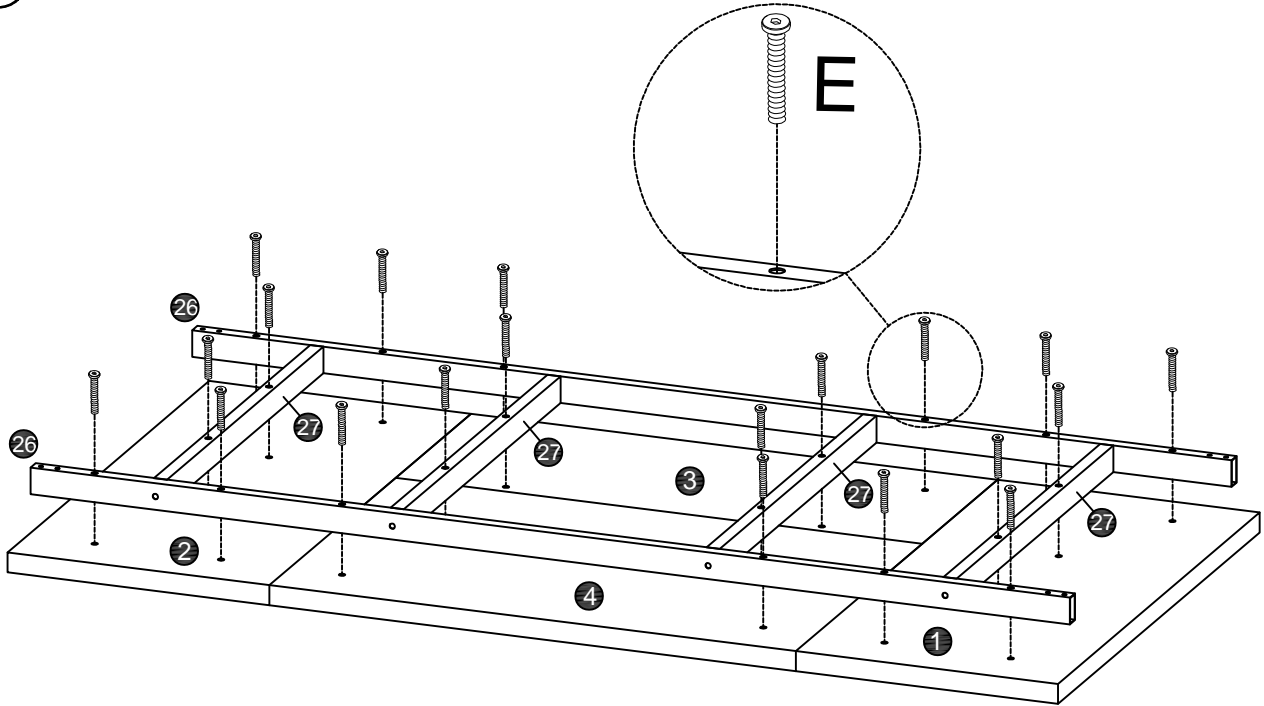
21

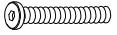


22

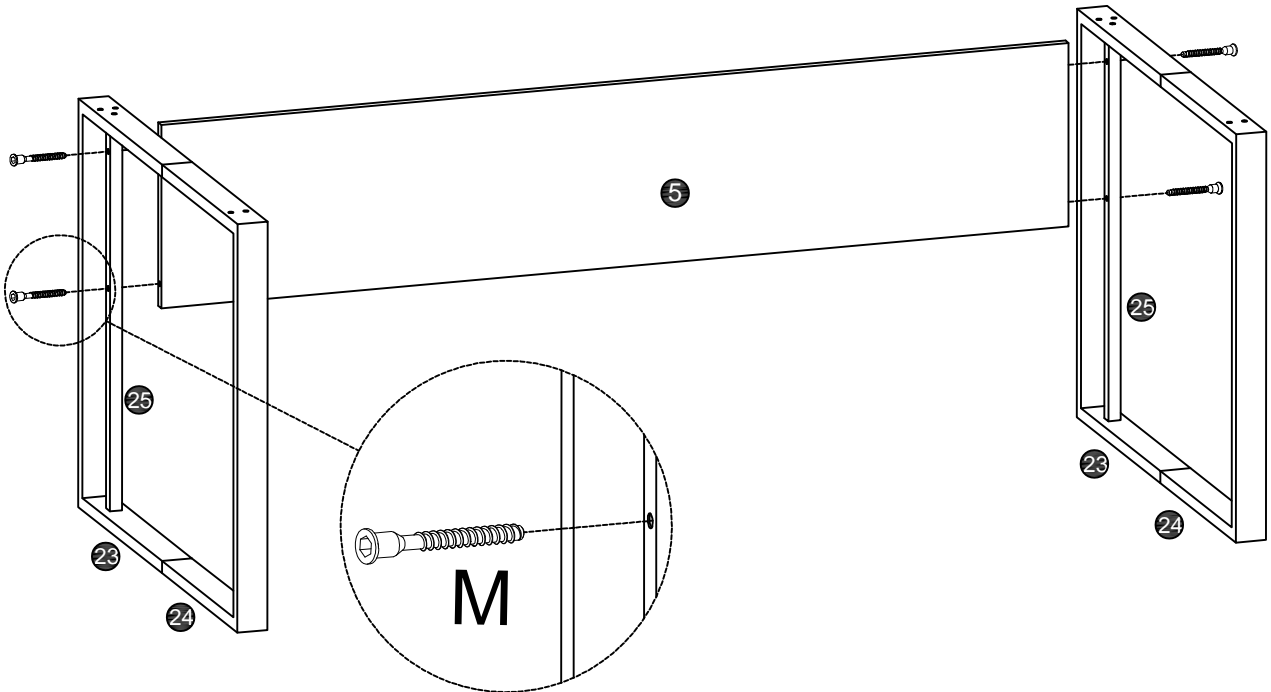



23



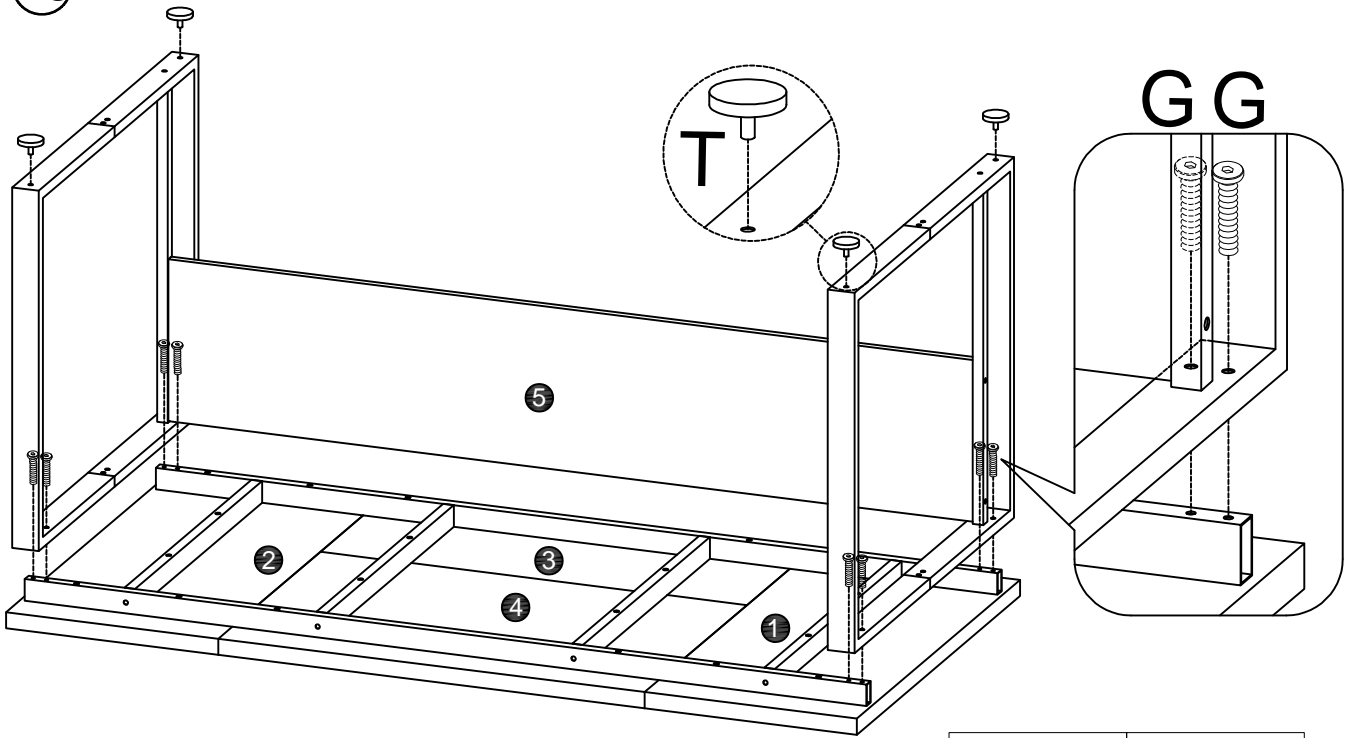

M6x55mm
E ×20pcs

24



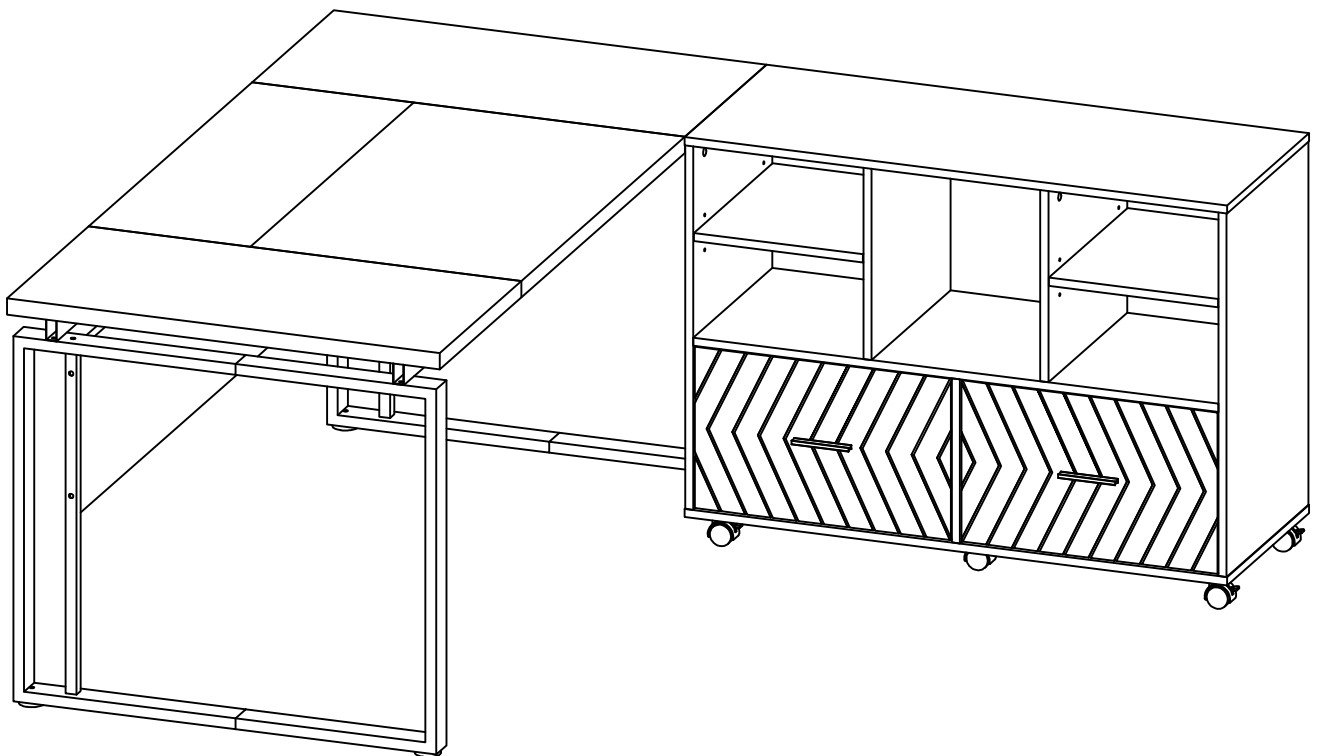

φ7×47mm
M ×4pcs

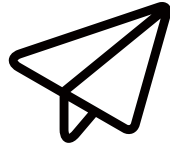
25



	
T × 4pcs	M6x30mm
	G × 8pcs

26





No heartburn,
when we handle
the return

Our way



Replacement/Refund



You

Their way



Re-package item



Schedule pick-up



Track package



Replacement



You
