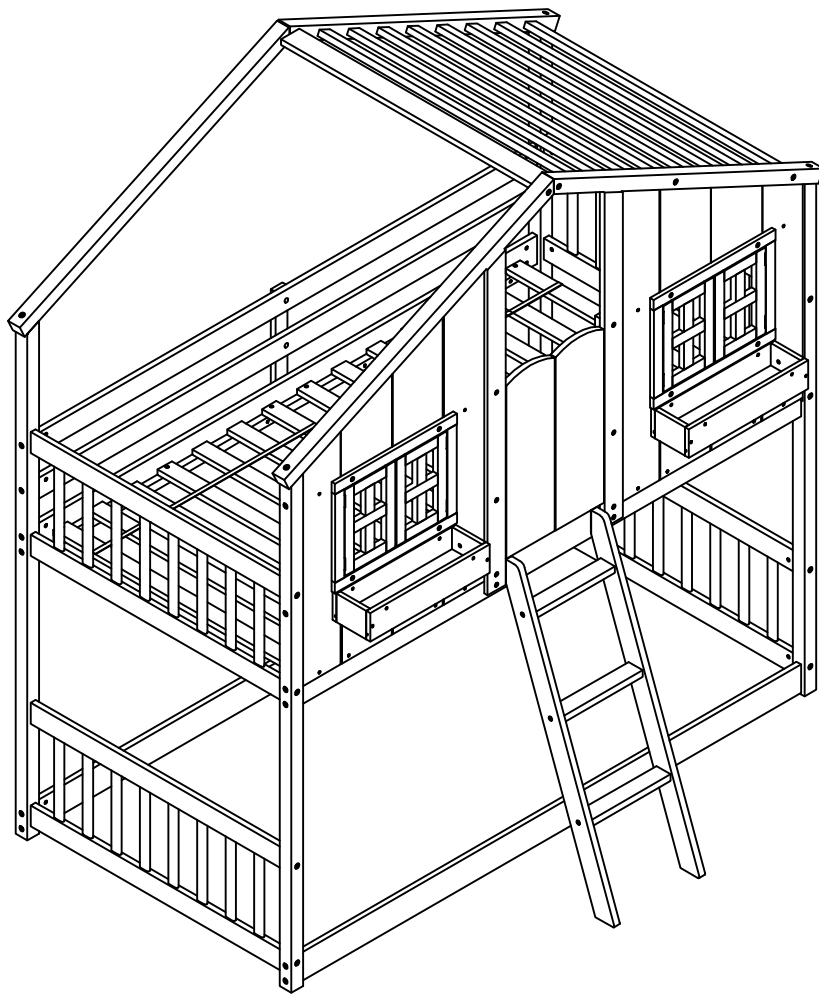


ASSEMBLY INSTRUCTIONS

TWIN OVER TWIN HOUSE BUNK BED WITH LADDER





SAFETY WARNING



1. This bed is designed for use only mattress (es) meeting the following specifications on the upper bunk, and lower bunk:

Down bed

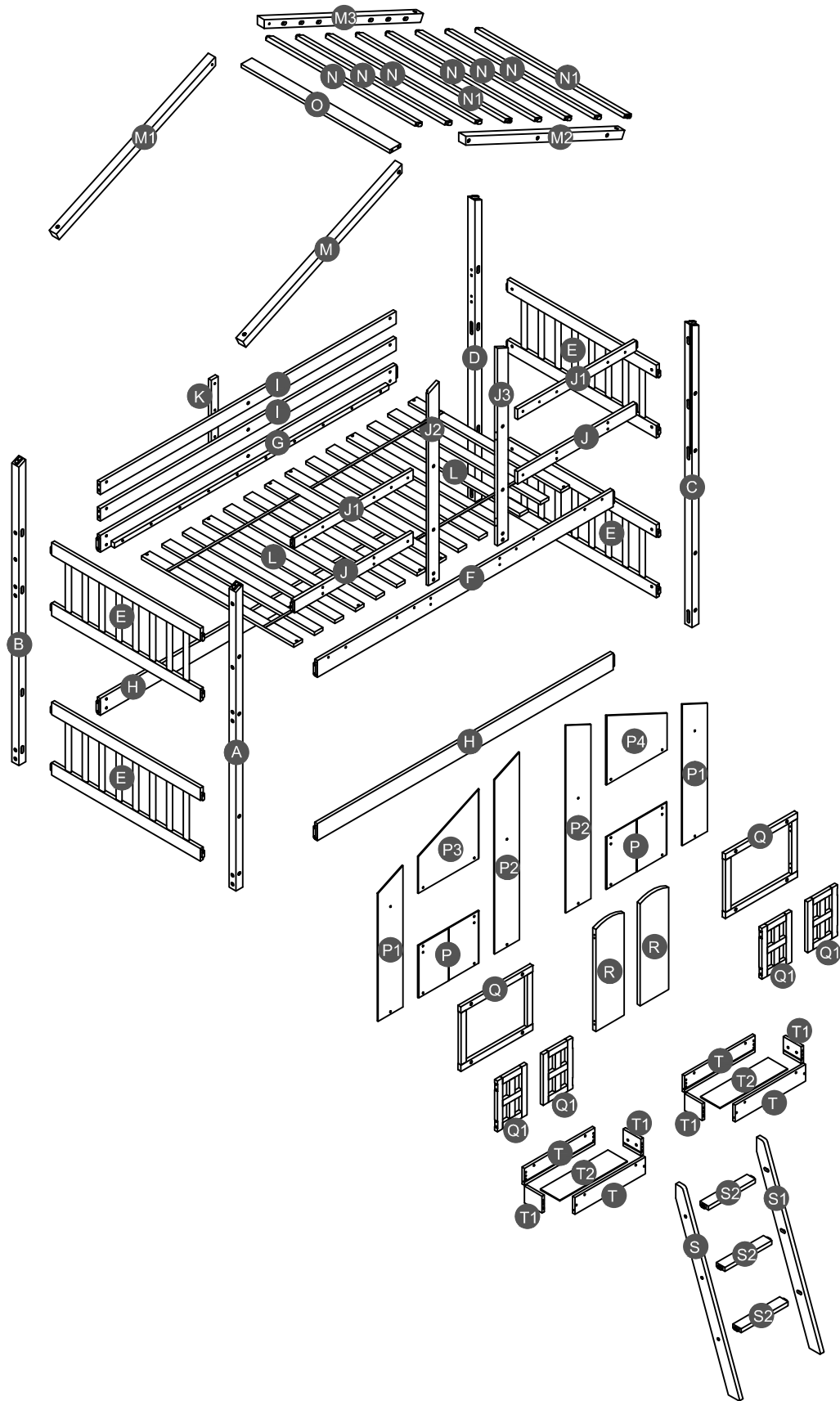
Bed type	Length	Width	Thickness
Twin Standard	74"-75"	38 1/2"	8" max

Up bed (Bunk bed and tribed included)

Bed type	Length	Width	Thickness
Twin Standard	74"-75"	38 1/2"	6" max

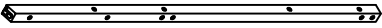
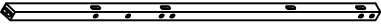
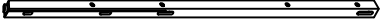
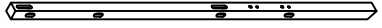


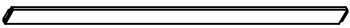

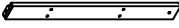
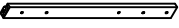
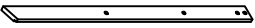

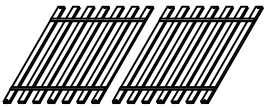
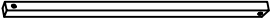
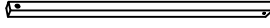
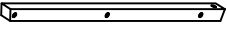

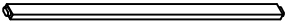
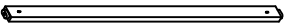
2. Replacement parts, including additional guardrails, maybe obtained from any of us.
3. Follow the information on the warnings appearing on the upper bunk bed end structure and on the carton. Do not remove warning label from bed.
4. Always use the recommended size mattresses or mattress supports, or both, to help prevent the likelihood of entrapment or falls.
5. Surface of mattress must be at least 5" (127mm) below the upper edge of guardrails.
6. Do not allow children under 6 years of age to use the upper bunk.
7. Periodically check and ensure that the guardrail, ladder, and other components are in their proper position, free from damage, and that all connectors are tight.
8. Do not allow horseplay on or under the bed and prohibit jumping on the bed.
9. Always use the ladder for entering and leaving the upper bunk.
10. Do not use substitute part. Contact the manufacture or dealer for replacement part.
11. Use of a night light may provide added safety precaution for a child using the upper bunk.
12. Always use guardrails on both long sides of the upper bunk. If the bunk bed will be placed next to the wall, the guardrail that runs the full length of the bed should be placed against the wall to prevent entrapment between the bed and wall.
13. The use of water or sleep flotation mattresses is prohibited.
14. **STRANGULATION HAZARD** - Never attach or hang items to any part of the bunk bed that are not designed for use with the bed; for example, but not limited to, hook, belts and jump ropes.
15. Keep these instruction for future reference.
16. Prohibit more than one person on upper bunk
17. We recommend assembling your bunk bed on the shipping carton to protect your floor or carpet.
18. Be certain all staples are out of the box before beginning assembly on the shipping carton.

Detail View

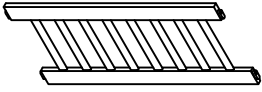

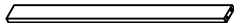
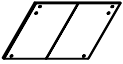
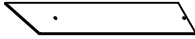
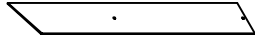
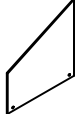
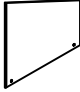
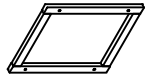

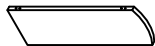
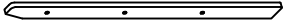
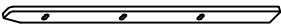
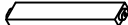

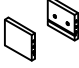



Part List

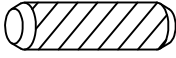
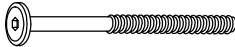
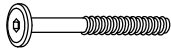
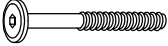





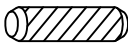



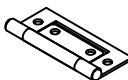
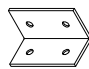
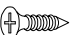
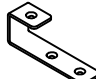

Hardware List

A  Leg (Left Front) - 1pc	B  Leg (Left Back) - 1pc	C  Leg (Right Front) - 1pc
D  Leg (Right Back) - 1pc	F  Upper side rail (Front) - 1pc	G  Upper side rail (Back) - 1pc
H  Lower side rail (Front/Back) - 2pcs	I  Long guard rail (Back) - 2pcs	J  Support crossbar (Front) - 2pcs
J1  Support crossbar (Front) - 2pcs	J2  Support vertical bar (Front) - 1pc	J3  Support vertical bar (Front) - 1pc
L  Slat - 2sets (7pcs/set)	M  Upper (Left Front) - 1pc	M1  Upper (Left Back) - 1pc
M2  Upper (Right Front) - 1pc	M3  Upper (Right Back) - 1pc	N  Upper crossbar - 6pcs
N1  Upper crossbar - 2pcs		

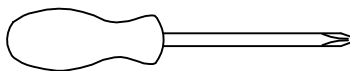
Part List

<p>E</p>  <p>Frame HB/FB - 4pcs</p>	<p>K</p>  <p>Vertical guard rail (Back) - 1pc</p>	<p>O</p>  <p>Upper support - 1pc</p>
<p>P</p>  <p>Front panel - 2pcs</p>	<p>P1</p>  <p>Front panel - 2pcs</p>	<p>P2</p>  <p>Front panel - 2pcs</p>
<p>P3</p>  <p>Front panel - 1pc</p>	<p>P4</p>  <p>Front panel - 1pc</p>	<p>Q</p>  <p>Window frame - 2pcs</p>
<p>Q1</p>  <p>Window - 4pcs</p>	<p>R</p>  <p>Doors - 2pcs</p>	<p>S</p>  <p>Left side ladder -1pc</p>
<p>S1</p>  <p>Right side ladder -1pc</p>	<p>S2</p>  <p>Step ladder - 3pcs</p>	<p>T</p>  <p>Front panel - 4pcs</p>
<p>T1</p>  <p>Left / right panel - 4pcs</p>	<p>T2</p>  <p>Bottom panel - 2pcs</p>	

Hardware List

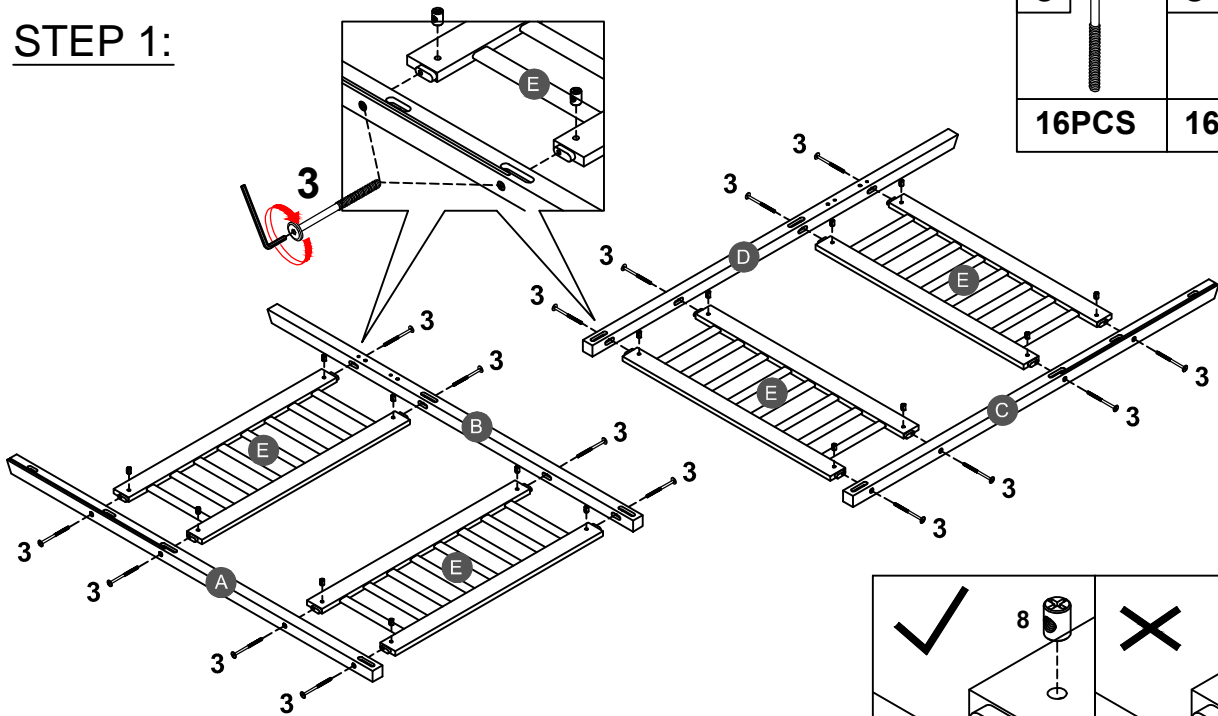
1	 Ø10*40mm Wood dowel (4pcs)	2	 (Ø15)1/4"*100mm Hex-Head bolts (20pcs)	3	 (Ø15)1/4"*80mm Hex-Head bolts (28pcs)
4	 (Ø12)1/4"*60mm Hex-Head bolts (14pcs)	5	 (Ø12)1/4"*40mm Hex-Head bolts (12pcs)	6	 (Ø12)1/4"*30mm Hex-Head bolts (11pcs)
7	 (Ø12)1/4"*20mm Hex-Head bolts (12pcs)	8	 1/4"*15 (9.5mm) Horizontal-Hole bolts(62pcs)	9	 Ø4*30mm Wood screws (12pcs)
10	 Ø8*30mm Wood dowel (16pcs)	11	 (1/4")4.5*58mm Allen key (1pc)	12	 (Ø12)1/4"*65mm Hex-Head bolts (4pcs)
13	 38*20*1.2mm Hinges (8pcs)	14	 55*24*6mm(135°) Hinges (4pcs)	15	 50*24*24*2mm Metal bracket (2pcs)
16	 Ø3.5*12mm Wood screws (48pcs)	17	 81*26*21*(2.5mm) Hooks (2pcs)	18	 Ø4*19mm Wood screws (14pcs)



ASSEMBLY TOOLS REQUIRED (NOT INCLUDED)



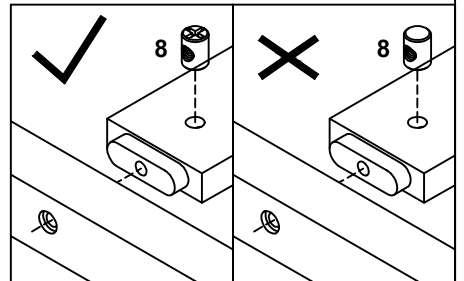
PLEASE BE CAREFUL DO NOT DAMAGE THE HOLE POSITION WHEN YOU USE POWER TOOLS !

STEP 1:

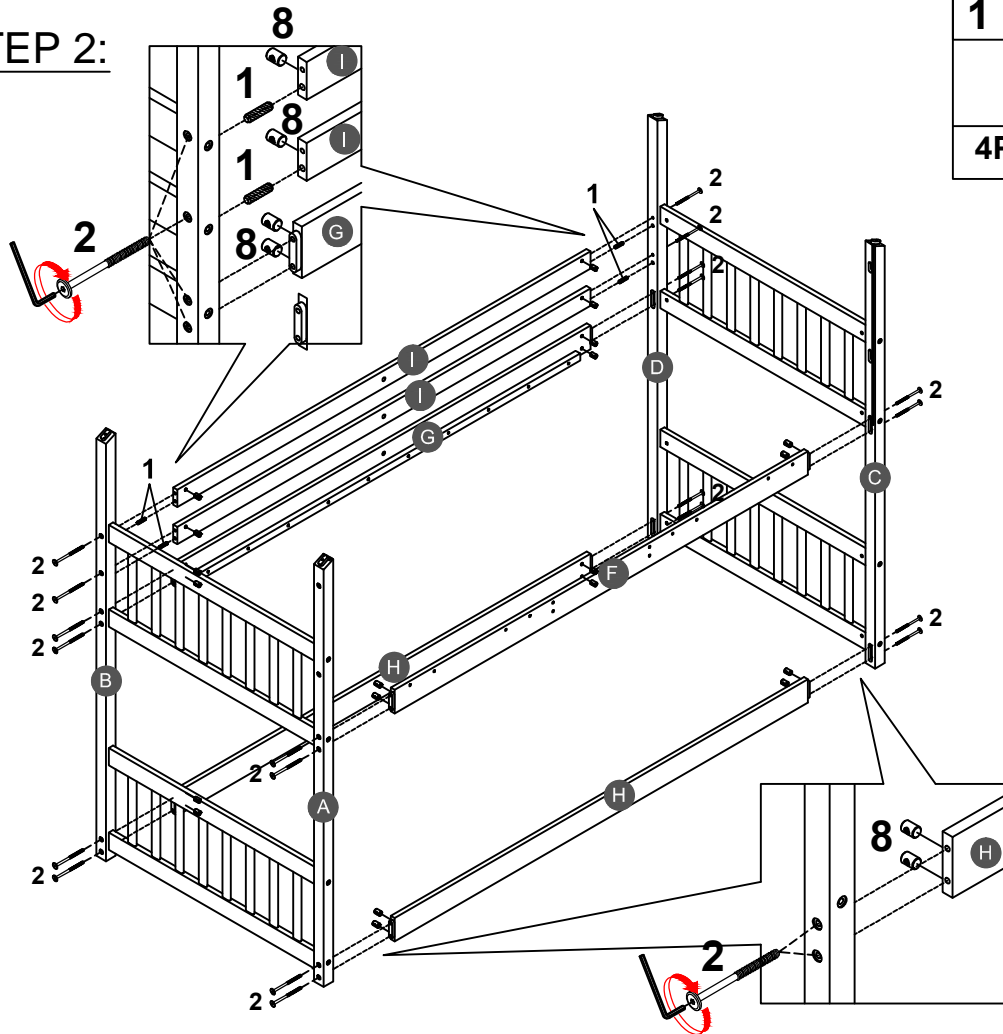




3		8	
16PCS		16PCS	


Note: Part 8 will face up with the "x" mark on it, otherwise it cannot be tightened



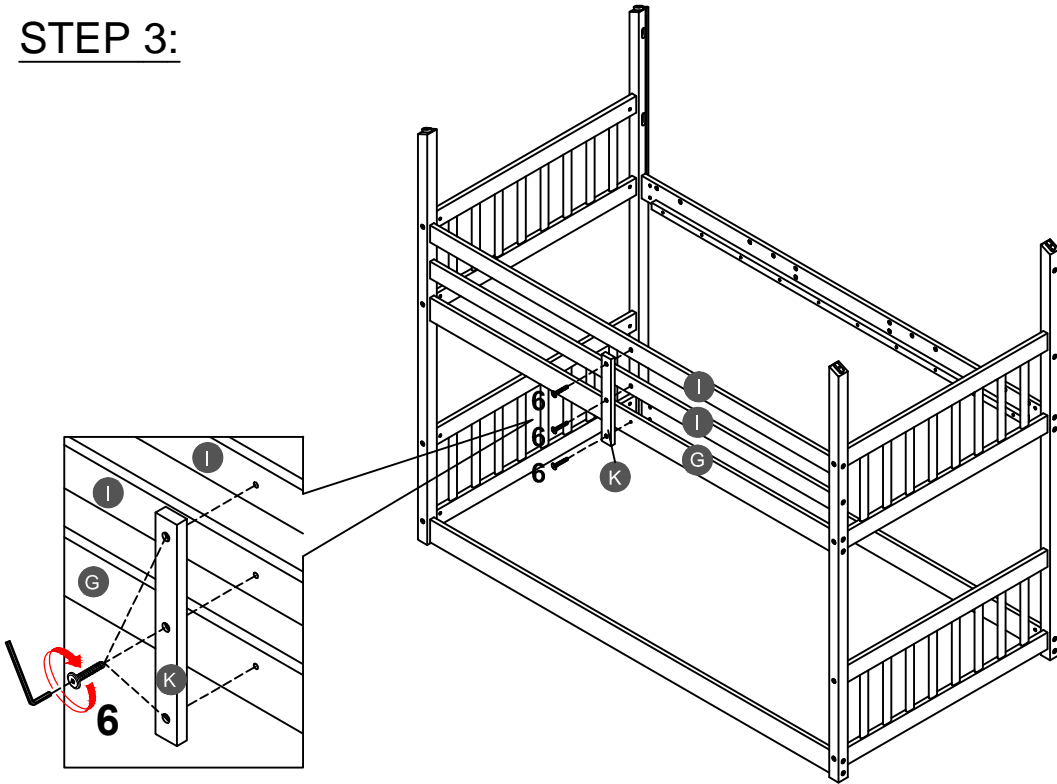
STEP 2:



1		2	
4PCS		20PCS	

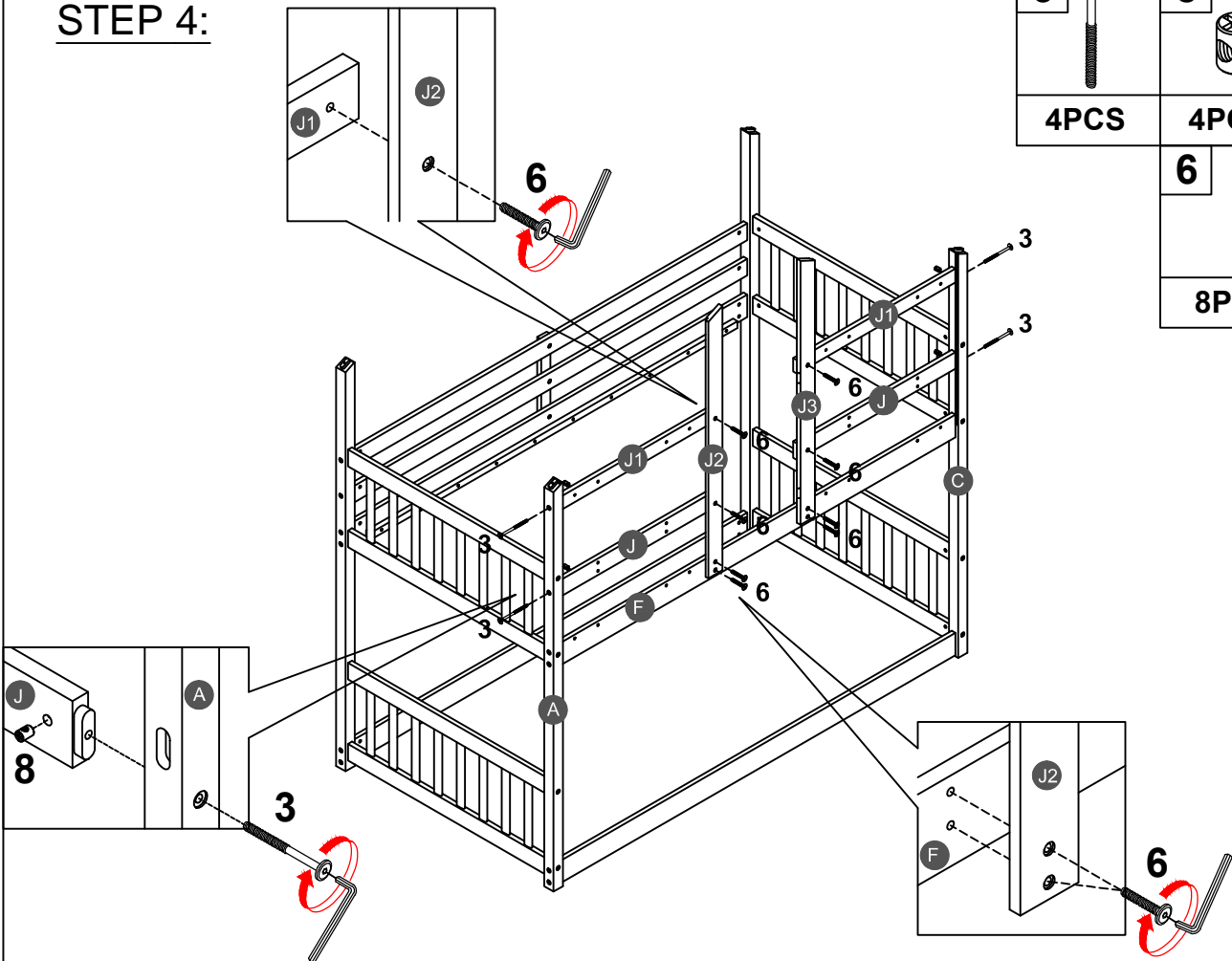
8	
20PCS	

STEP 3:



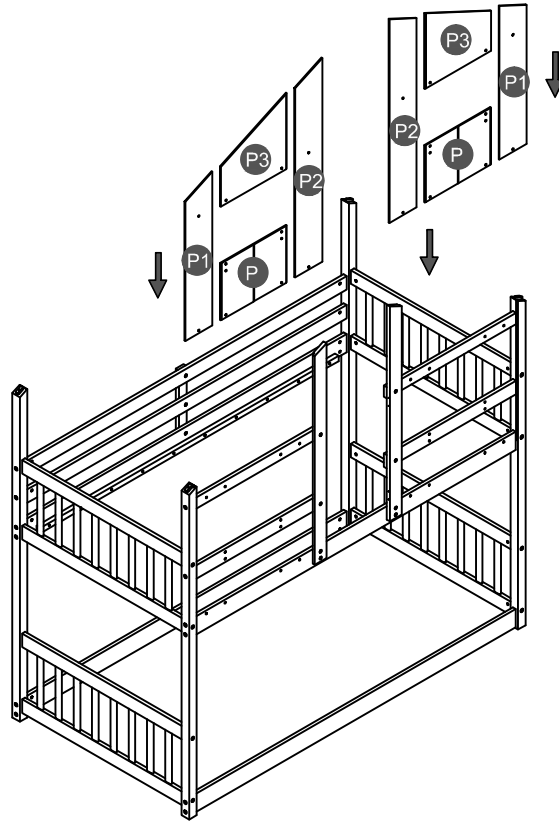
- | | |
|-------------|--|
| 6 | |
| 3PCS | |

STEP 4:

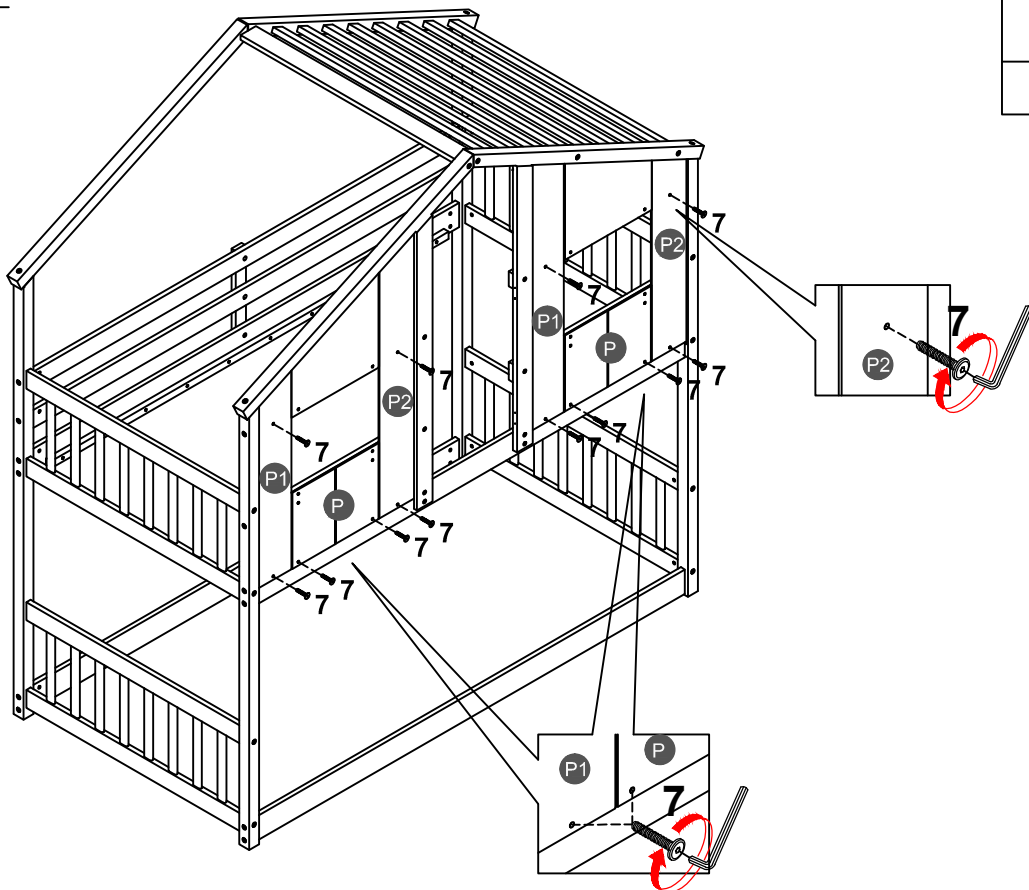


- | | | | |
|-------------|--|-------------|--|
| 3 | | 8 | |
| 4PCS | | 4PCS | |
| 6 | | 8PCS | |

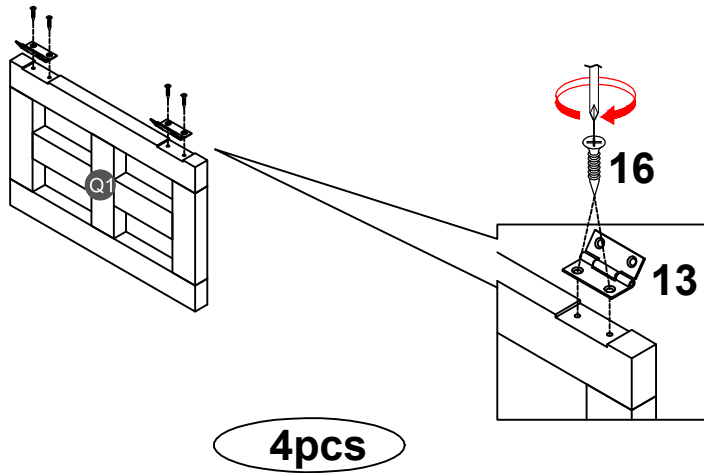
STEP 5:





STEP 6:

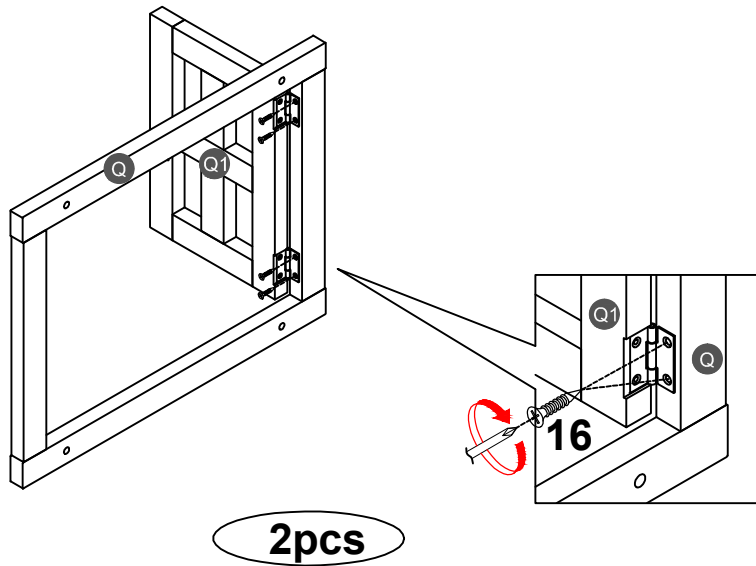



STEP 7:



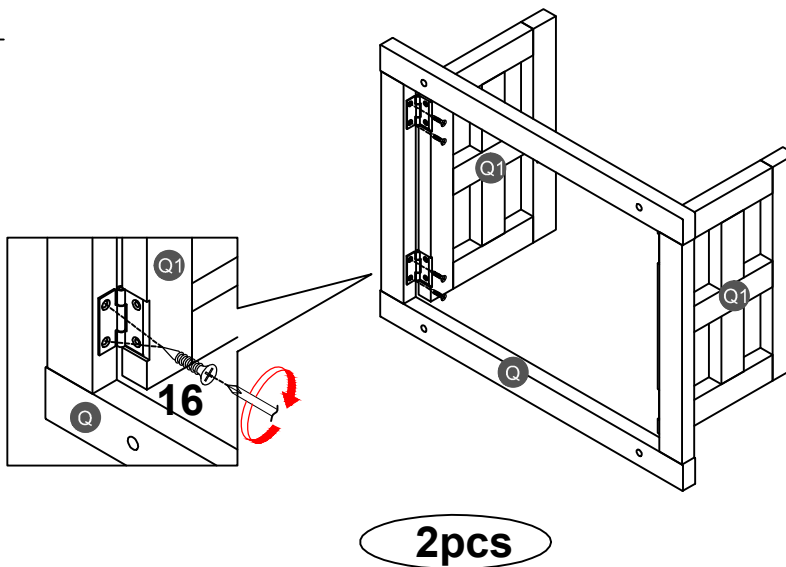
13 	16 
8PCS	16PCS


STEP 8:



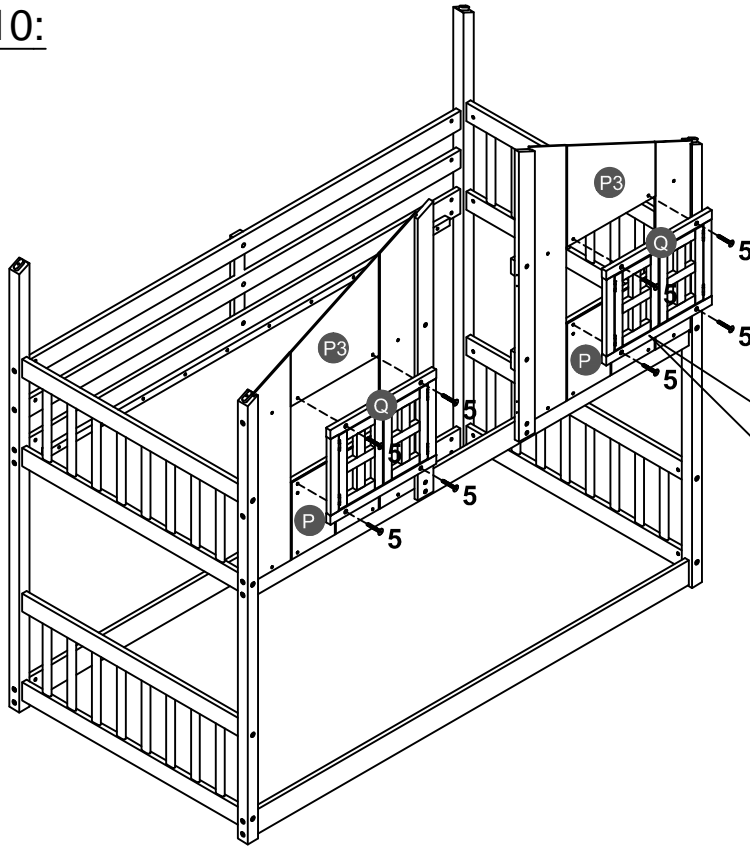
16 
8PCS

STEP 9:



16 
8PCS

STEP 10:

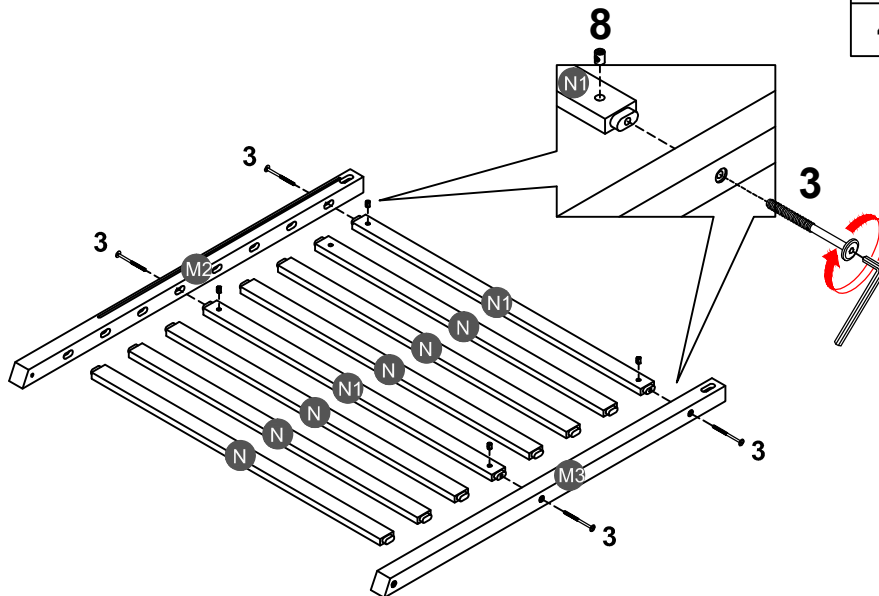


5



8PCS

STEP 11:



3



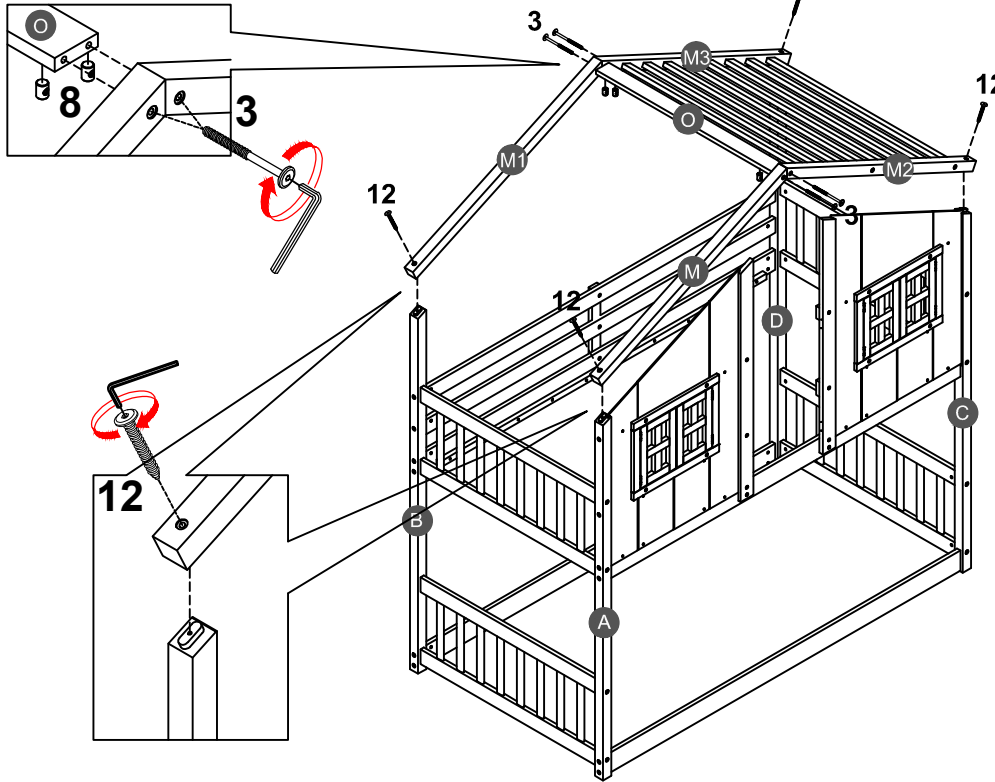
4PCS




8



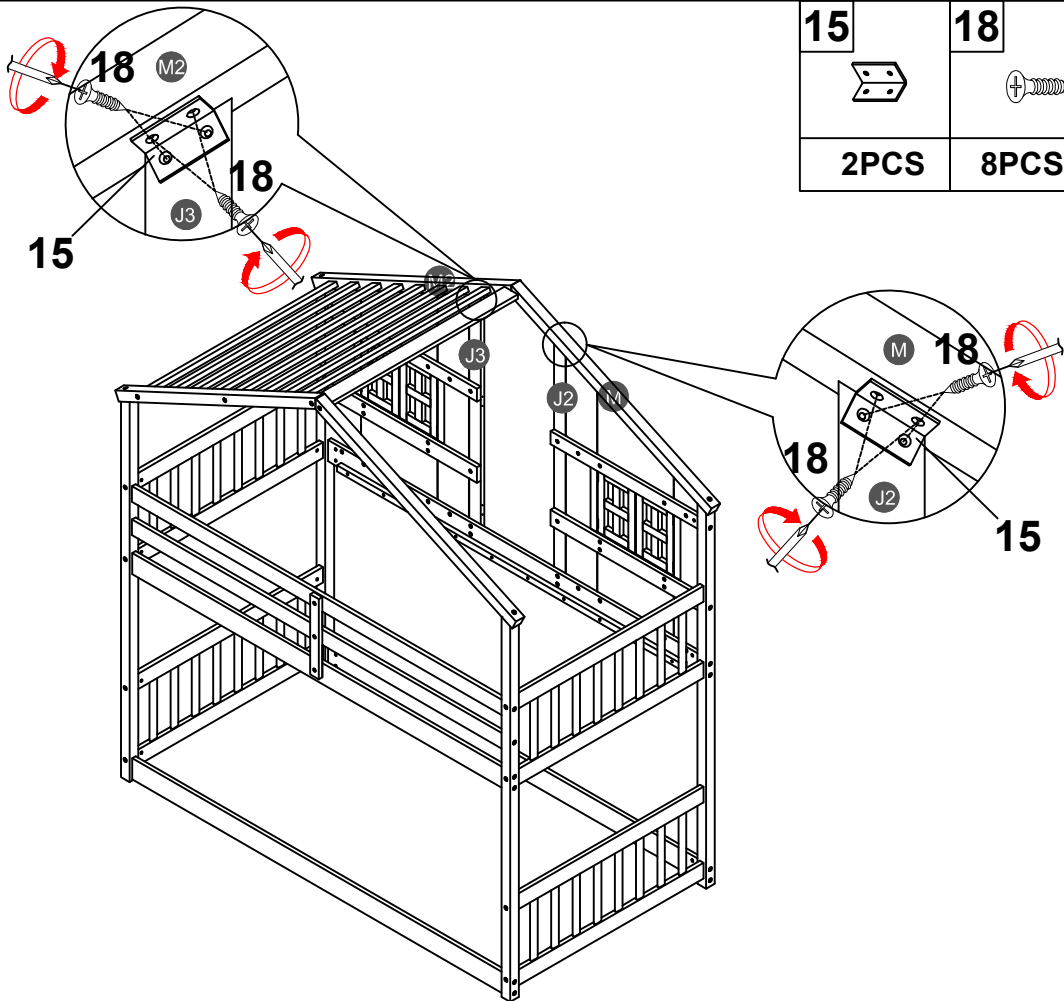
4PCS



STEP 12:






3		8	
4PCS		4PCS	
12			
4PCS			

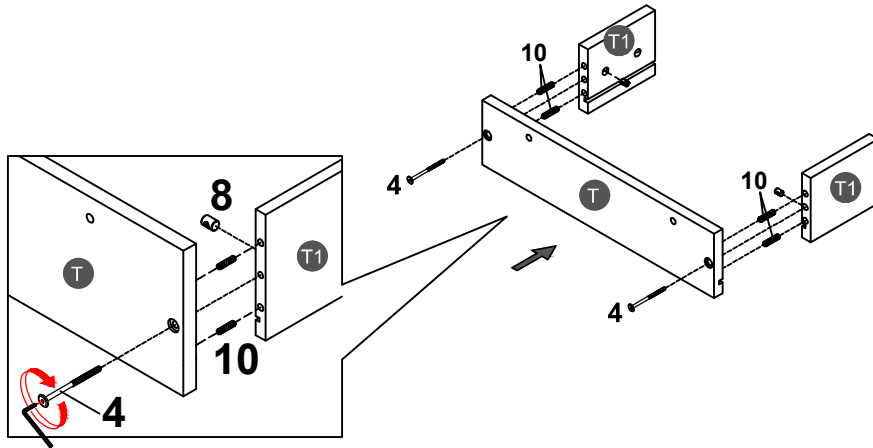
STEP 13:



15		18	
2PCS		8PCS	




STEP 14:

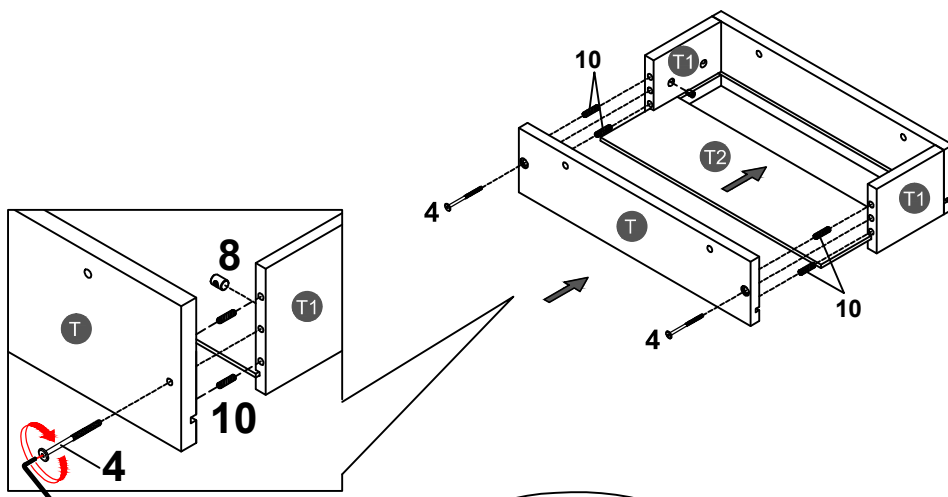
10	4	8
		
8PCS	4PCS	4PCS



2pcs

STEP 15:

10	4	8
		
8PCS	4PCS	4PCS



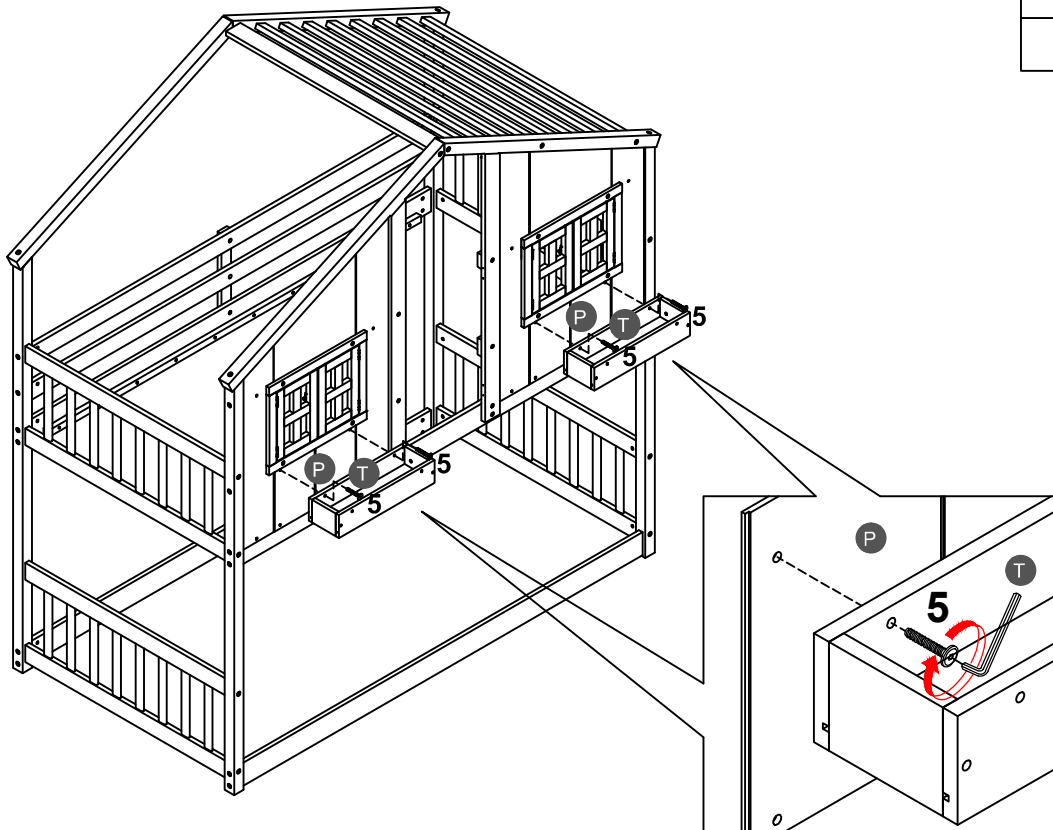
2pcs

STEP 16:

5



4PCS



STEP 17:

4



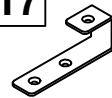
6PCS

8



6PCS

17

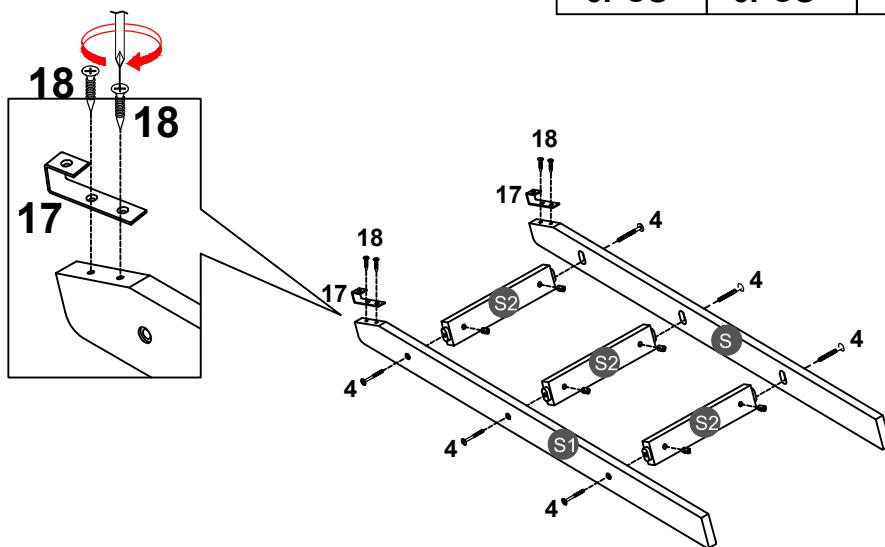


2PCS


18

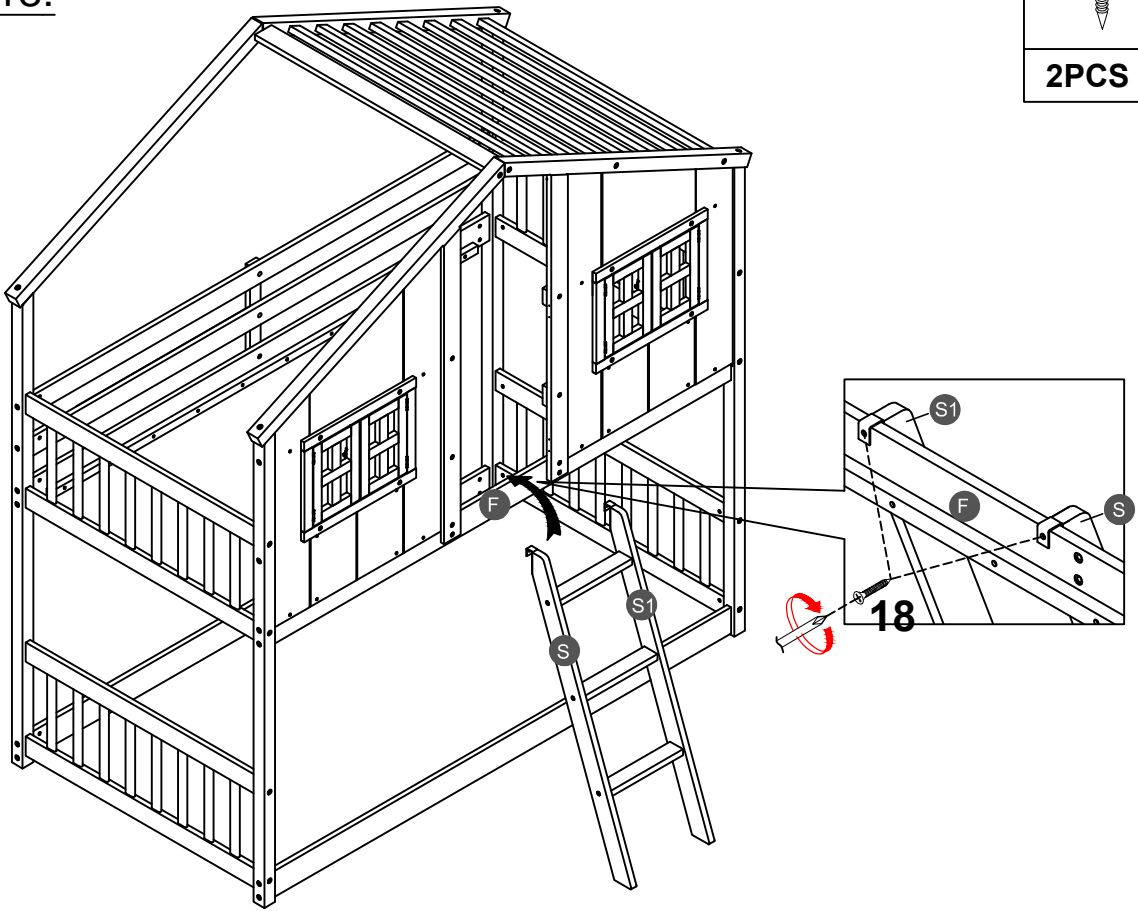


4PCS

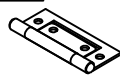



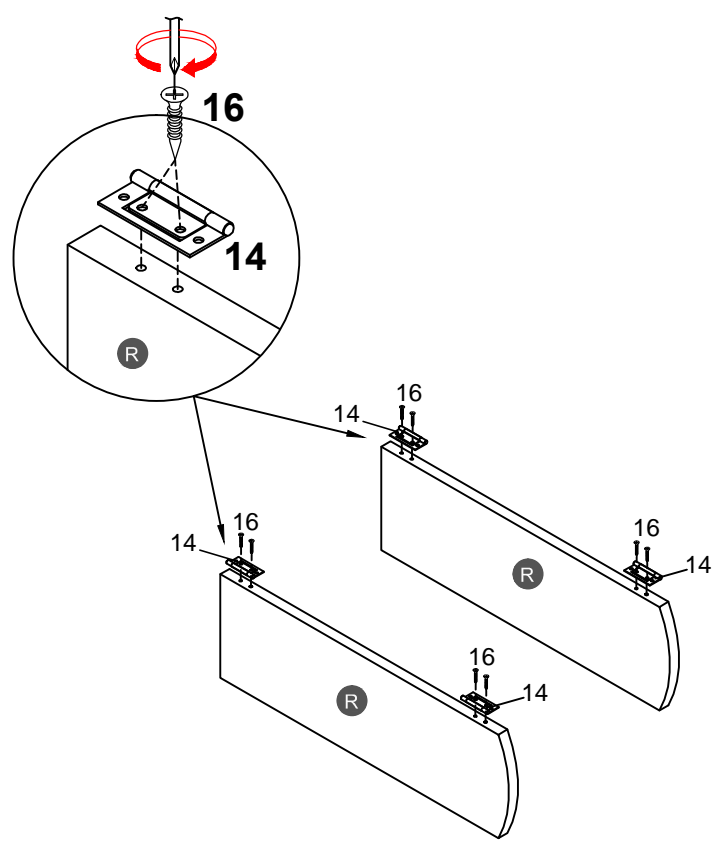
STEP 18:

18	
2PCS	

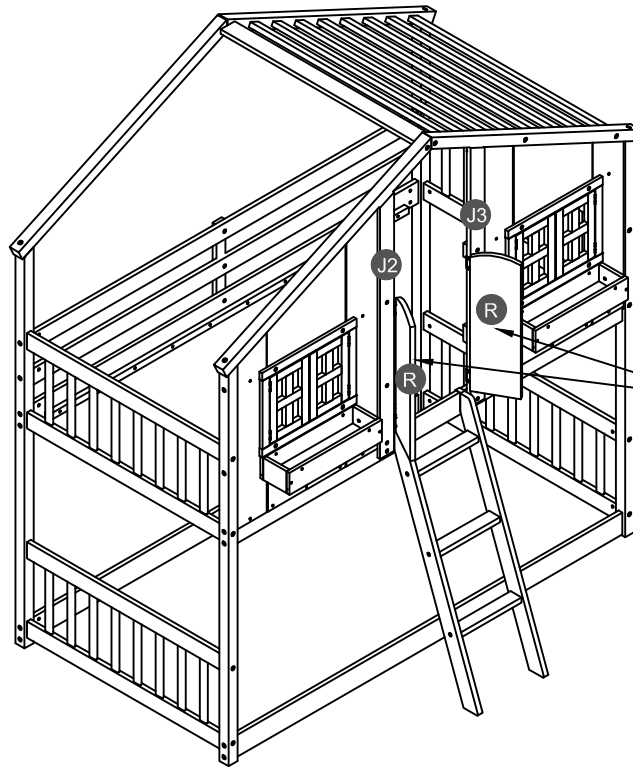


STEP 19:

14	16
	
4PCS	8PCS



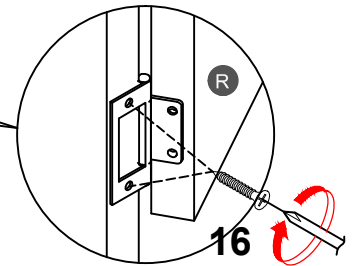
STEP 20:



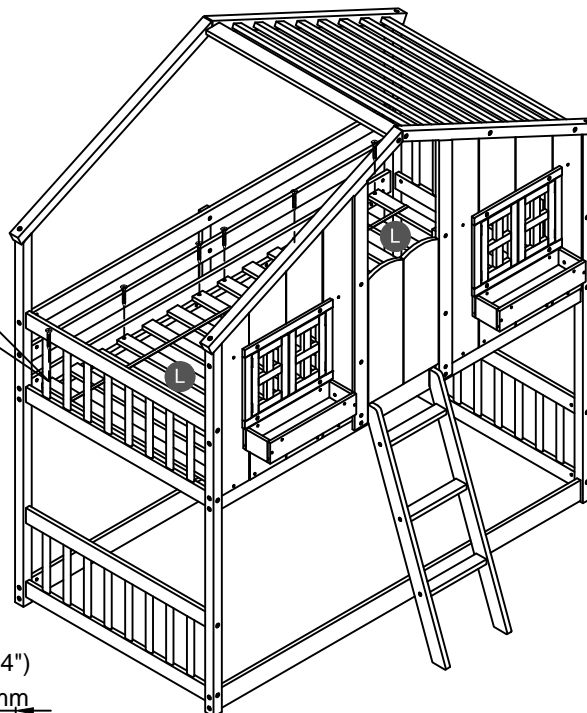
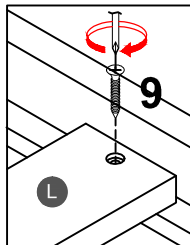
16



8PCS



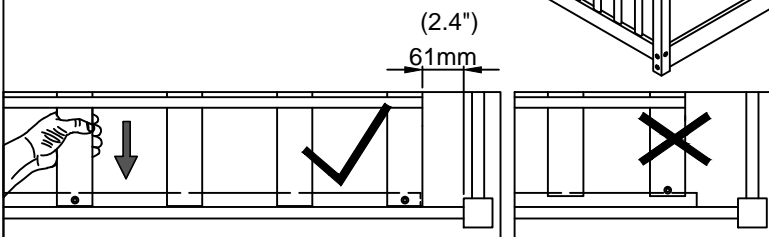
STEP 21:



9



12PCS



Note: Do not lock the screws of the bed slats to the outermost edge of the bed slats, you need to leave a certain space at the edges, otherwise it will cause the board to break. Do not lock the bed slats on the edge of the wood, please hold firmly before screwing, hold it in place with one hand, then lock the screw.