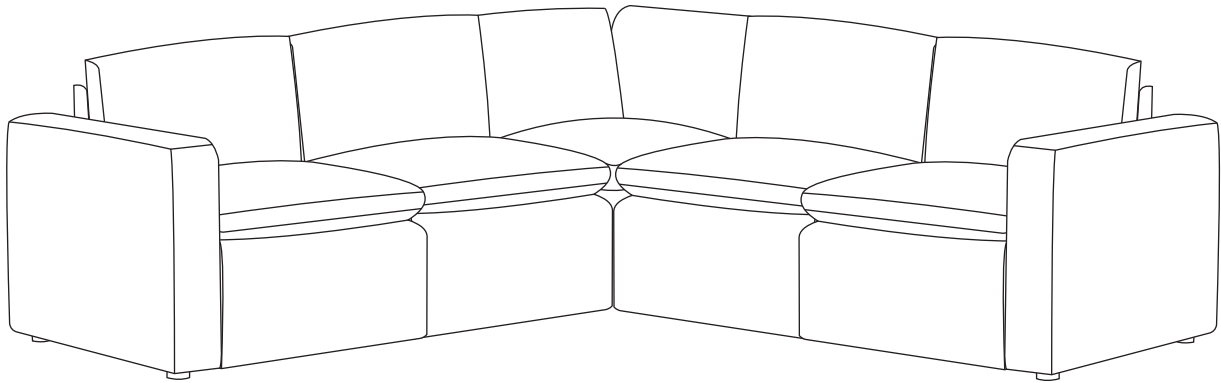
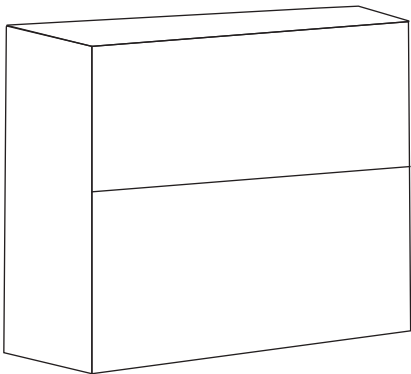


Assemble Instruction

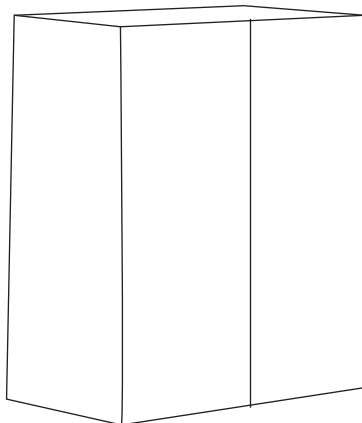


5-Piece sectional Count box

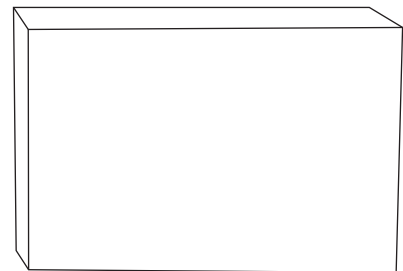
Corner



Armless

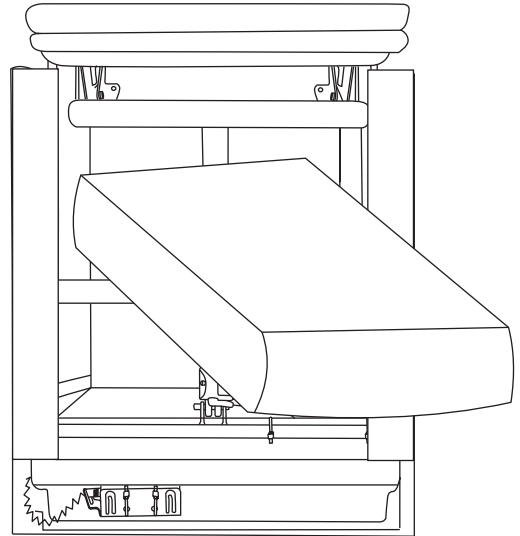
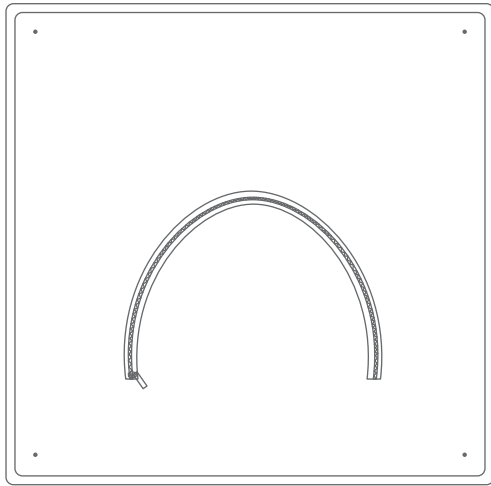


Arm



Corner: 1*Box
Motion Armless: 2*Box
Armless: 2*Box
Arm: 2*Box

Unzip, take out the legs & pillow from the bottom of the chair base.

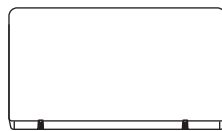


NOTE. Lay all the pieces down, and ready to assemble.

Parts



Back cushion

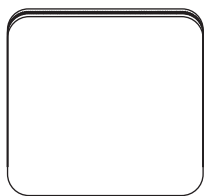


Seat back

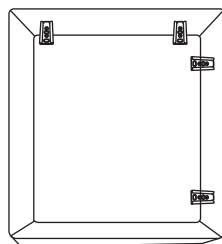


x6

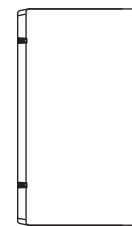
Legs



Seat cushion

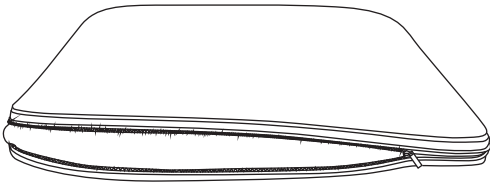


Seat base

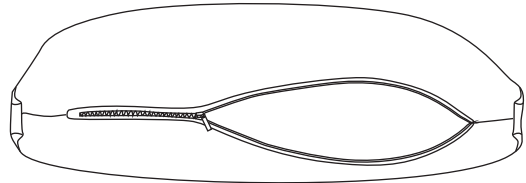


Left Arm

Step1: Attach the pillow cover and pillow together.



Cushion cover

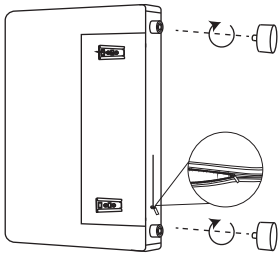



Backrest cover

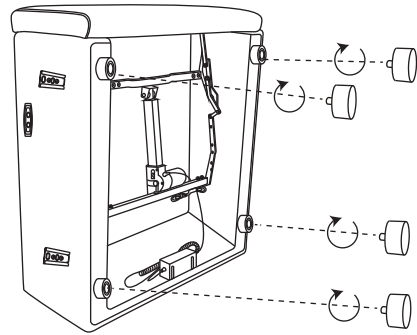
Step2: Unzip and take out the legs, attach the legs.

Left Arm

Base

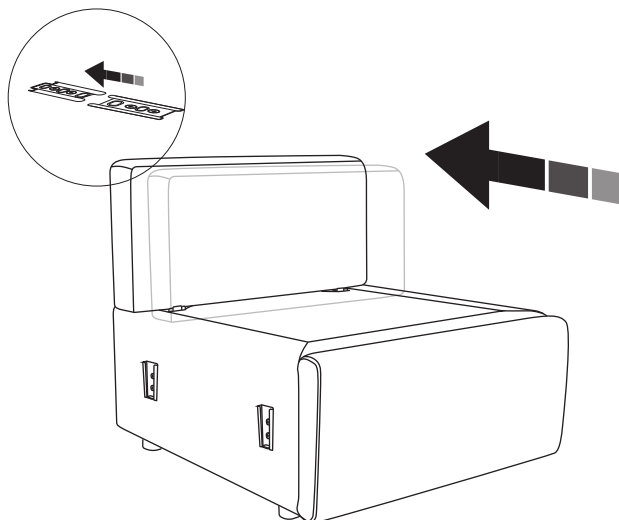


 x2

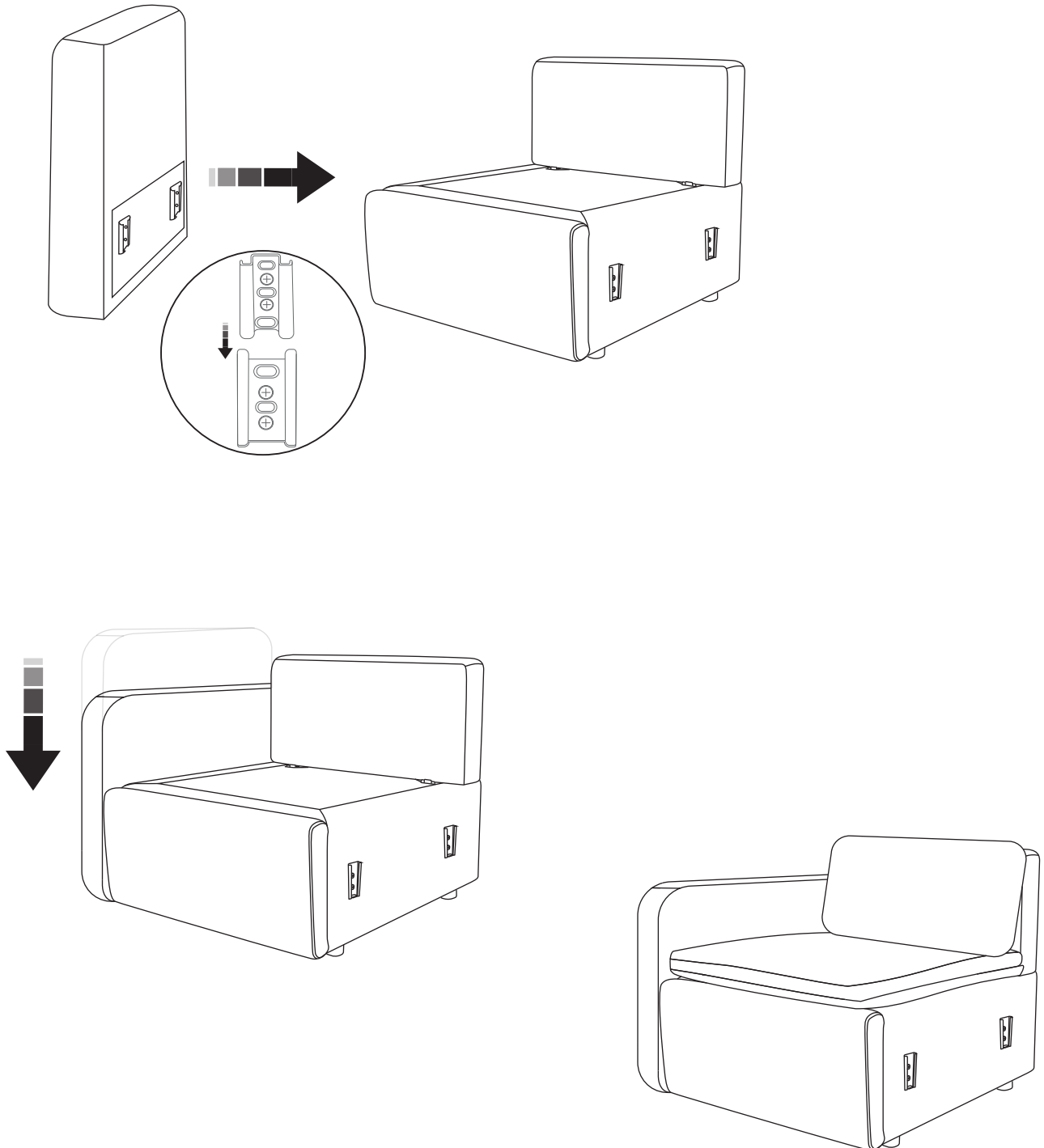


 x4

Step3: Attach the seat back to the base.

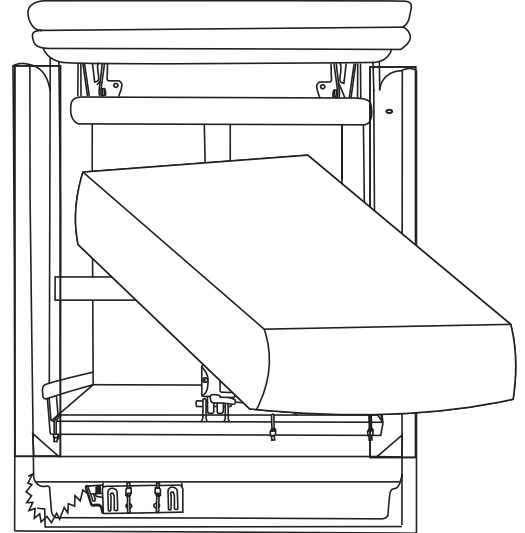
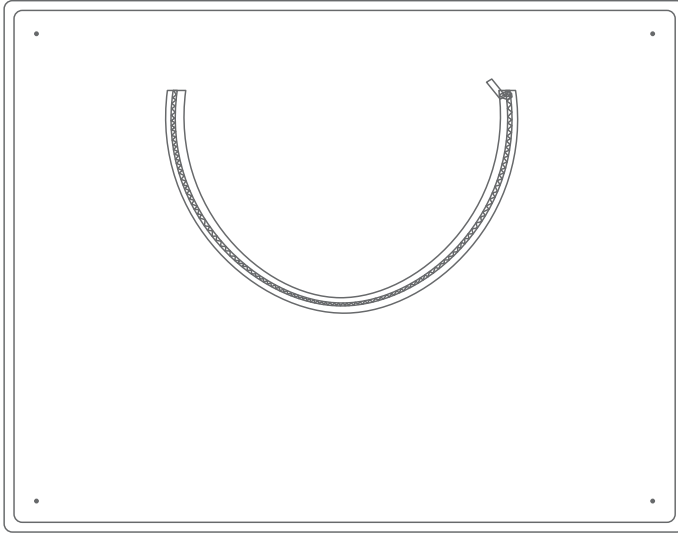


Step4: Attach the left arm.



Place the seat cushion and back cushion to the finished parts.

Unzip, take out the legs & pillow from the bottom of the chair base.



NOTE. Lay all the pieces down, and ready to assemble.

Parts



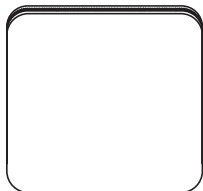
Back cushion



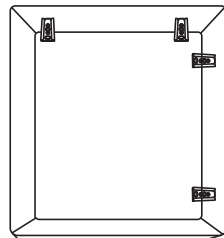
Seat back



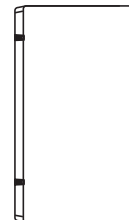
Legs x6



Seat cushion



Seat base

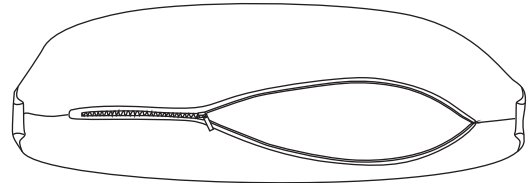


Right Arm

Step1: Attach the pillow cover and pillow together.



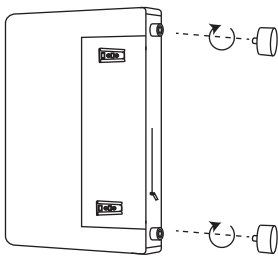
Cushion cover



Backrest cover

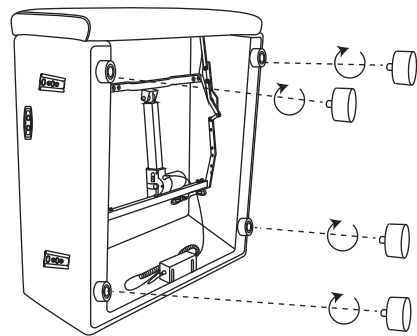
Step2: Attach the legs.


Right arm



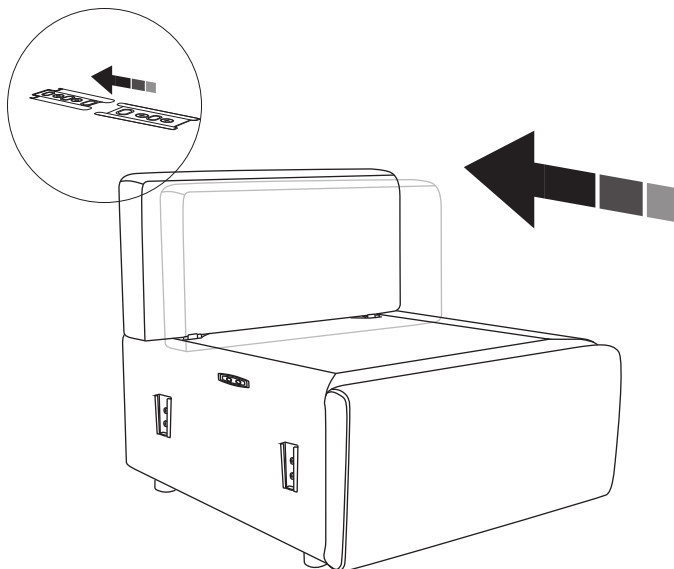
 x2

Base

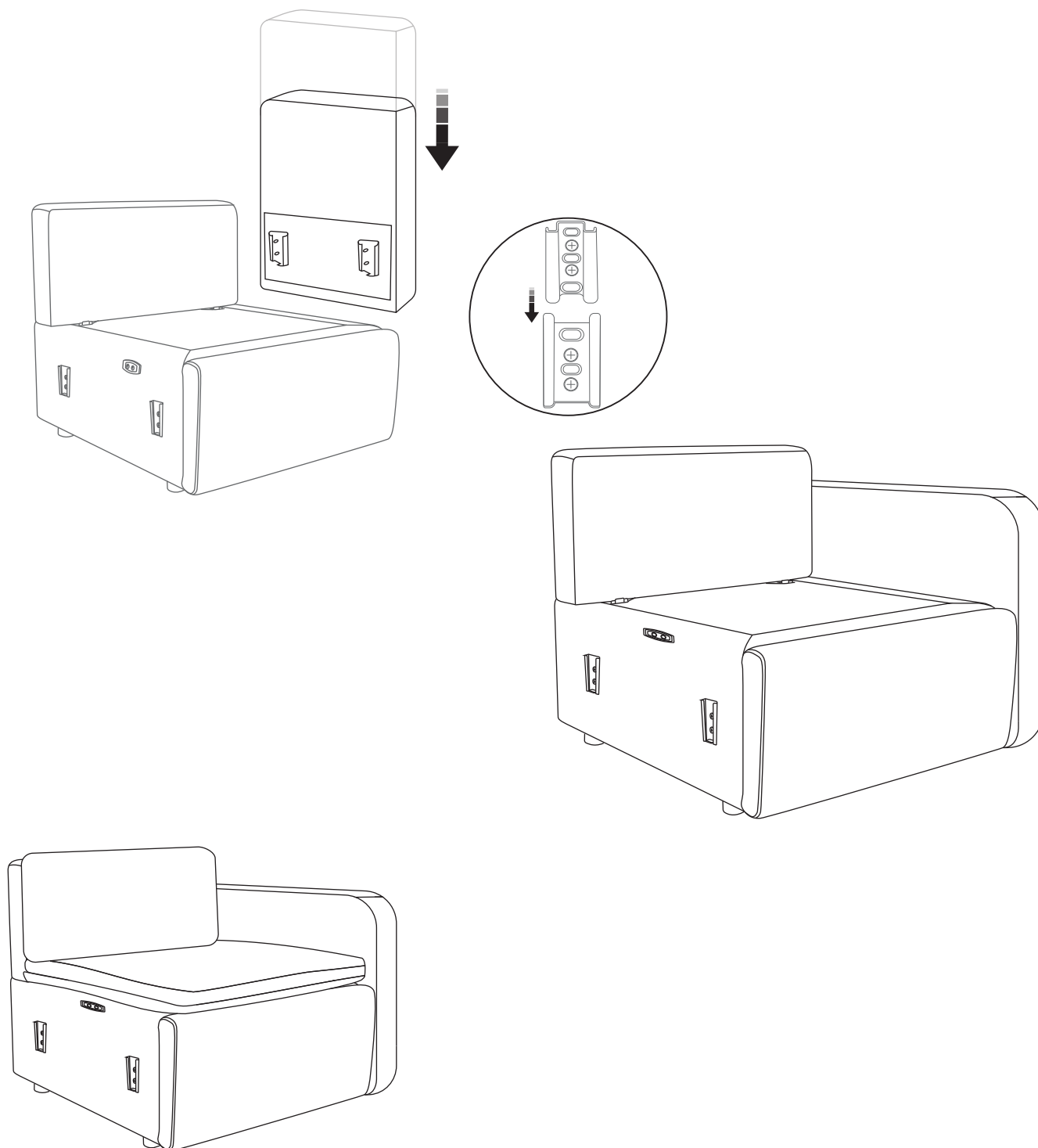


 x4

Step3: Attach the seat back to the base.

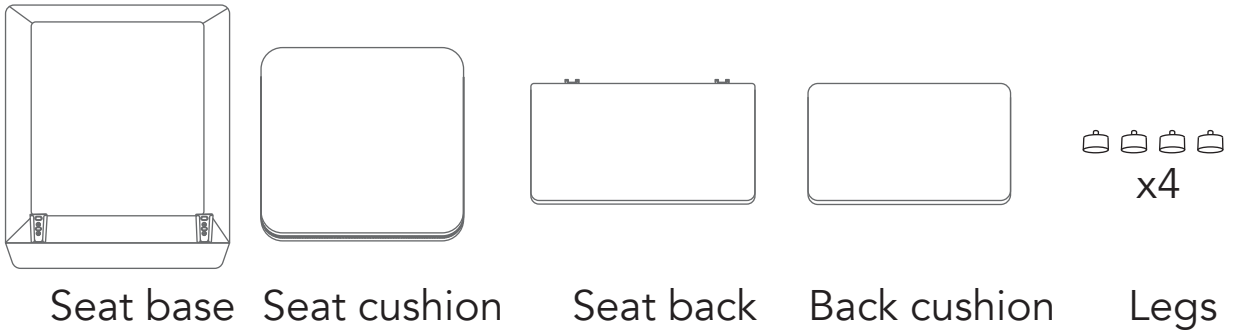


Step4: Attach the left arm.

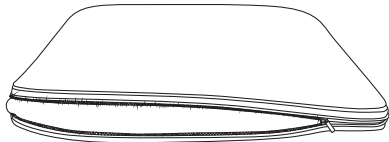


Place the seat cushion and back cushion to the finished parts.

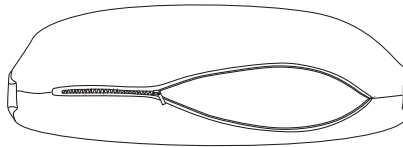
Parts



Step1: Attach the pillow cover and pillow together.

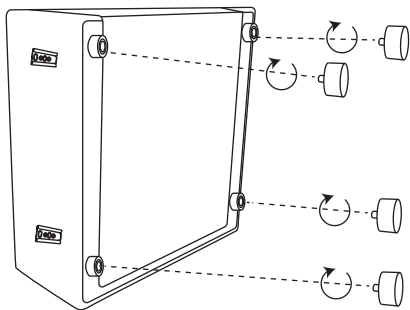


Cushion cover



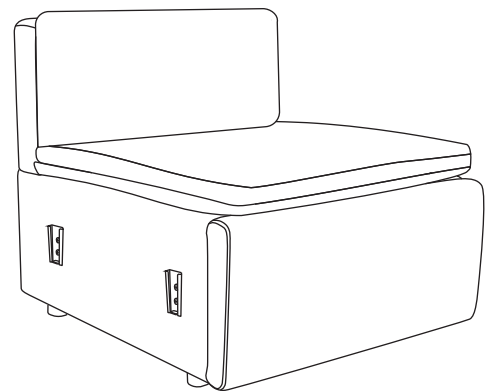
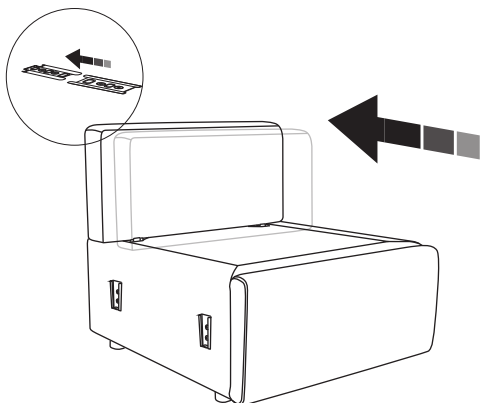
Backrest cover

Step2: Attach the legs.



Legs x4

Step3: Attach the seat back to the base.



Place the seat cushion and back cushion to the finished parts.

Parts



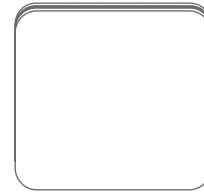
Back cushion



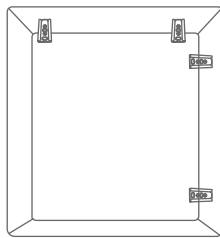
Back cushion



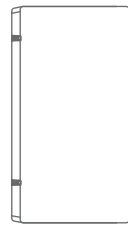
Seat back



Seat cushion



Base



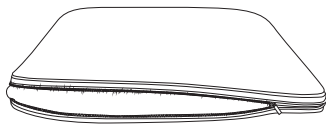
Seat back



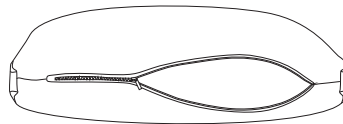
x4

Legs

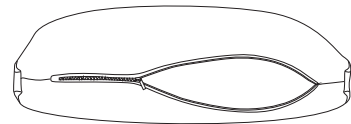
Step1: Attach the pillow cover and pillow together.



Cushion cover

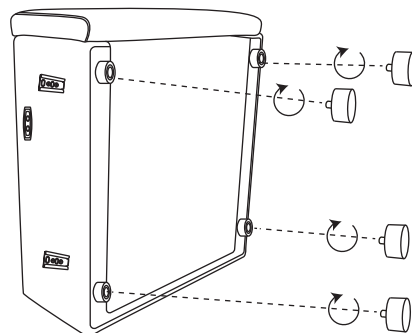


Backrest cover

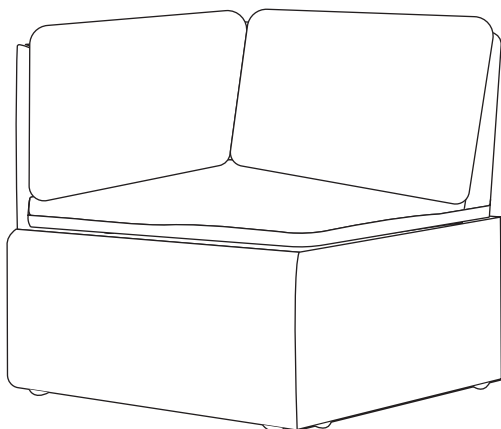
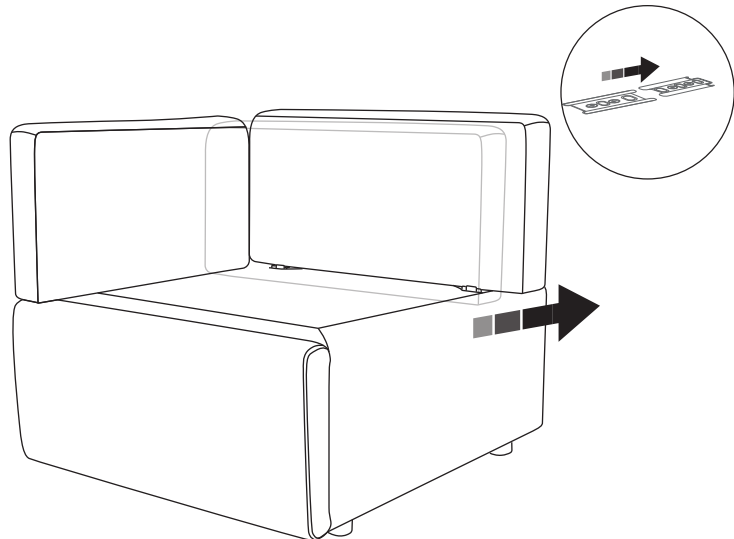
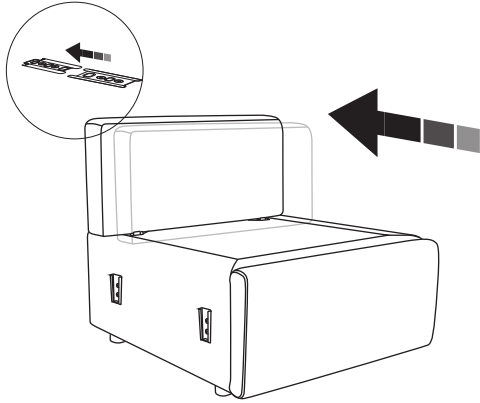


Backrest cover

Step2: Attach the legs



x4

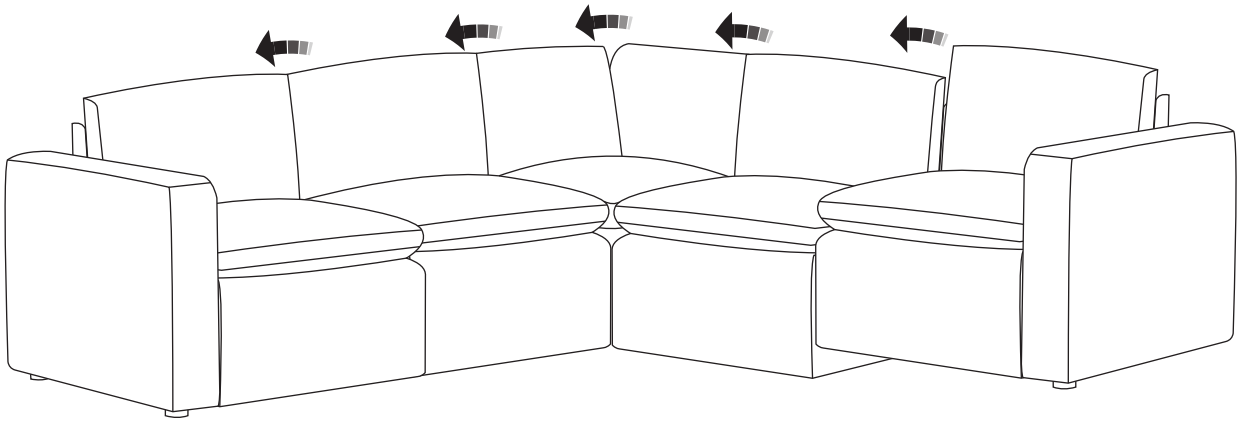
Step3: Connect the seat back and seat base.

Place the seat cushion and back cushion to the finished parts.

Place all piece in line.

(Note: metal connectors only used for connecting sofa arms.)

Place all seat cushion & back cushions.



Press the button and enjoy your new recliner.

