

INSTALLATION INSTRUCTIONS

OUTDOOR WALL LIGHT

Please read carefully and save these instructions, as you may need them at a later date.

CAUTION

Turn off the main power at the circuit breaker before installing the fixture, in order to prevent possible shock.

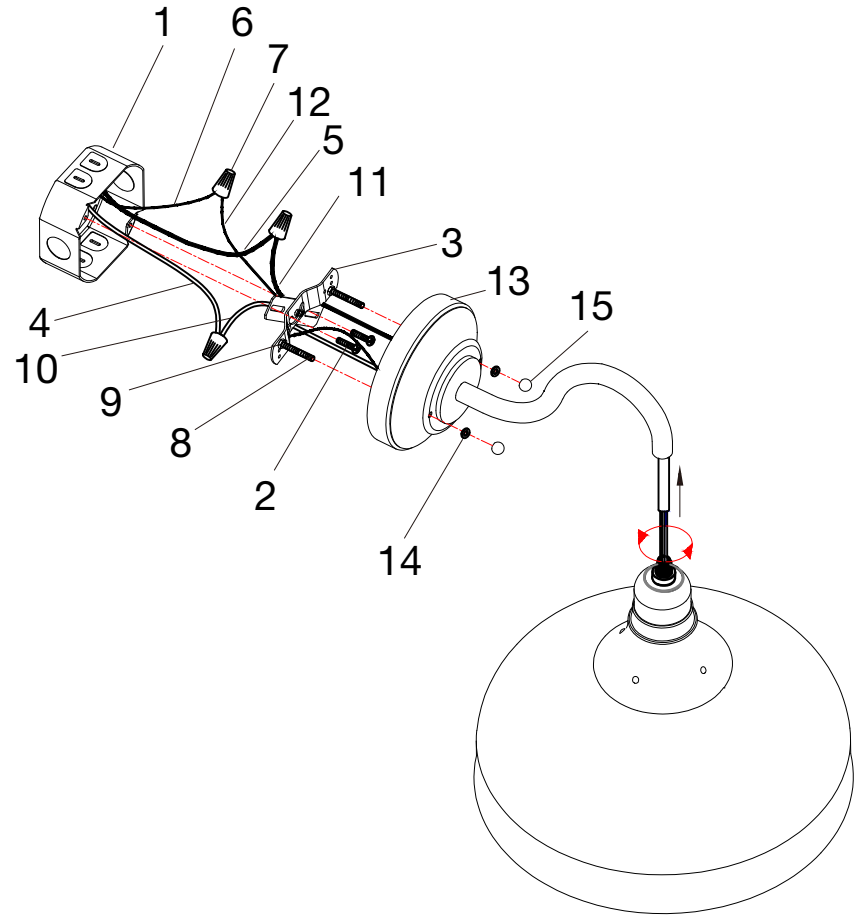
GENERAL

All electrical connections must be in accordance with local and National Electrical Code (N.E.C.) standards. If you are unfamiliar with proper electrical wiring connections obtain the services of a qualified electrician.

Carefully unpack light fixture and hardware bag from box, and make sure that no parts are missing by referencing the illustrations on the installation instructions.

INSTALLATION AND ASSEMBLY

1. Screw the fixture screws (14) into the mounting bracket(3), and thread the hex nuts(15) into fixture screws. Secure the fixture screws by tightening hex nut against the mounting bracket.
2. Pull the power supply wires out from the OUTLET BOX (1). Attach the mounting bracket (3) to the outlet box(1) using mounting screws(2).
3. Make wire connections, connect the black supply wire (5) to black fixture wire (11), white supply wire (4) to white fixture wire(10) and the fixture ground wire(12) to supply ground wire(6) using wire nuts (7). Wrap all wire connections with electrical tape for secure connection.
4. After wires are connected, tuck them carefully inside the outlet box. Position back plate(13) over the outlet box and feed fixture screws (8) through two holes of the back plate until they protrude out from the back plate approximately 1/4" and secure using two rubber eashers (14) and two cap nuts(15).
5. After installing the fixture, caulk upper 2/3 of wire connection enclosure to mounting surface. Leave bottom 1/3 un-caulked for drainage of any water that might leak into the enclosure. The manufacturer recommends a non-drying exterior caulking material. A good example is a clear silicone rubber sealant for exterior use.
6. Installation is complete. Turn on power at the circuit breaker. Turn light switch on to operate this fixture.



1. OUTLET BOX (NOT INCLUDED)
2. MOUNTING SCREW
3. MOUNTING BRACKET
4. WHITE SUPPLY WIRE
5. BLACK SUPPLY WIRE
6. SUPPLY GROUND WIRE
7. WIRE NUT

8. #8-32 FIXTURE SCREW
9. #8-32 HEX NUT
10. WHITE FIXTURE WIRE
11. BLACK FIXTURE WIRE
12. FIXTURE GROUND WIRE
13. BACK PLATE
14. RUBBER EASHER
15. CAP NUT