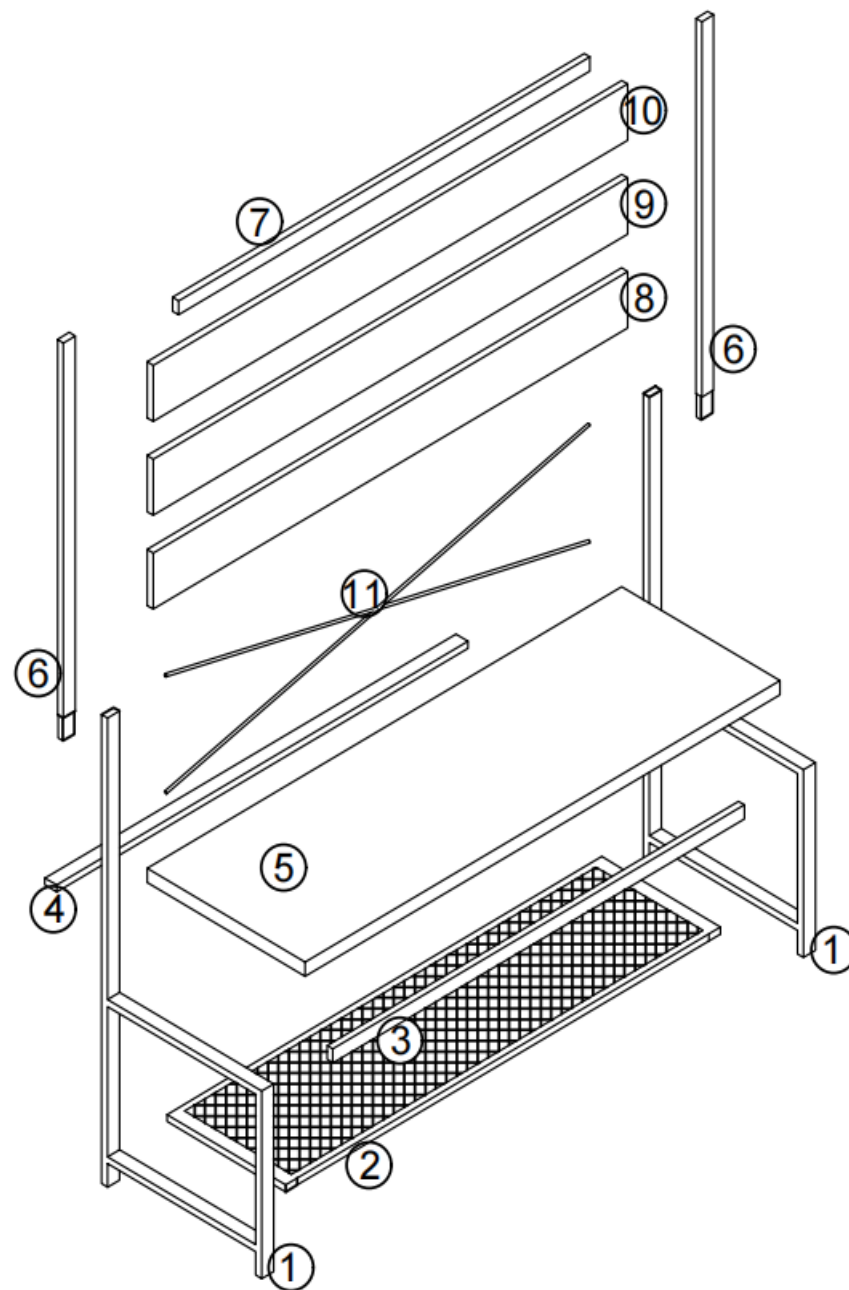
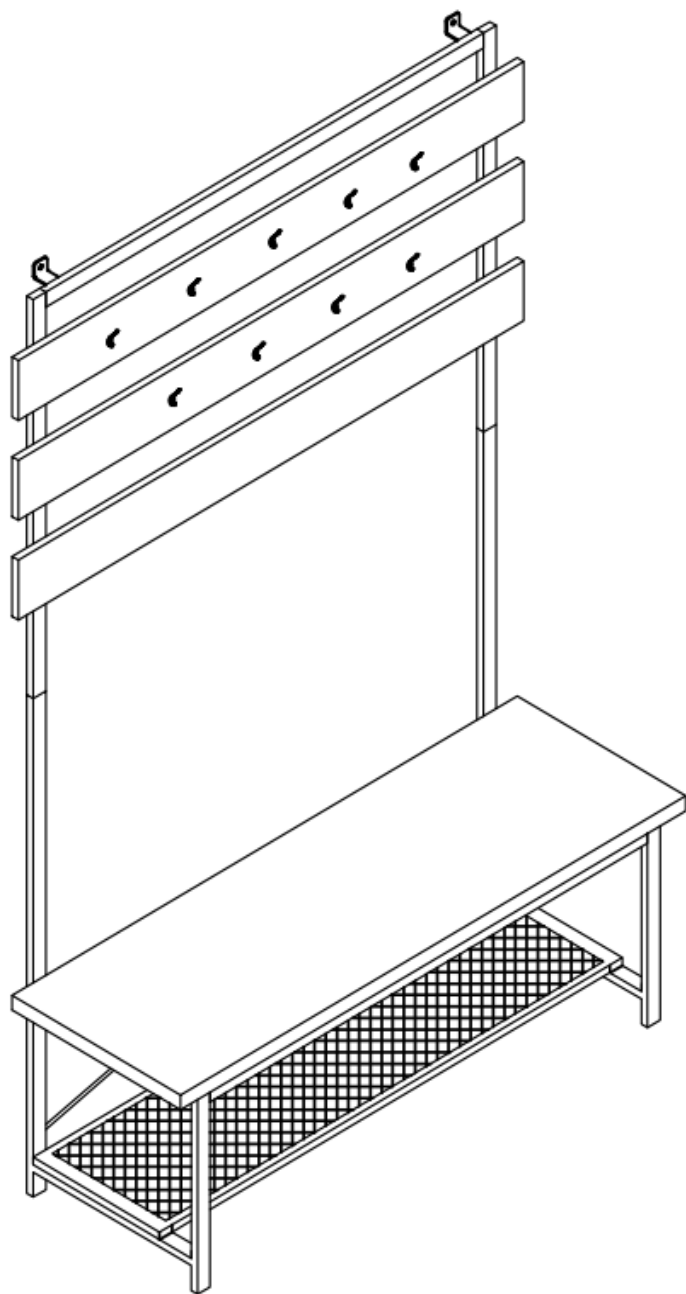


# HALL TREE ASSEMBLY INSTRUCTION

## Hall Tree



# HALL TREE ASSEMBLY INSTRUCTION

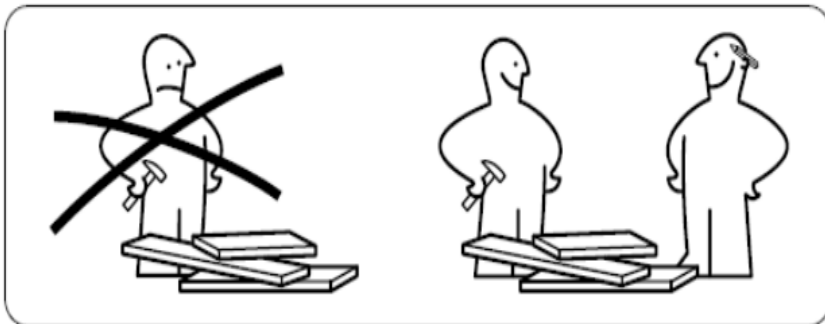
Thank you for purchasing our Hall Tree. Be sure to check all packing material carefully for small parts that may have come loose inside the carton during shipment.

## PRE-ASSEMBLY

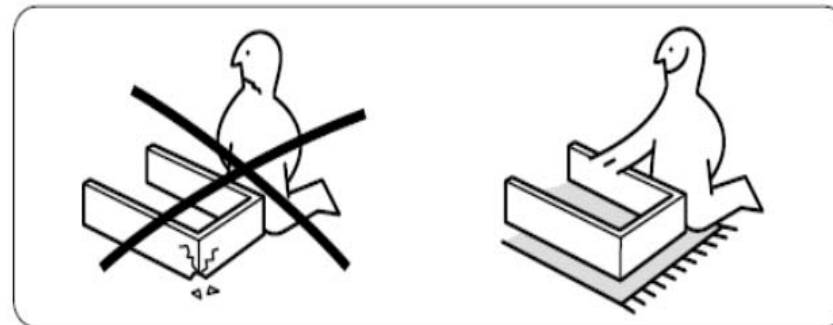
- (1) Proper assembly of this item requires 2 people.
- (2) Do not dispose of any contents until assembly is completed to avoid accidentally discarding small parts or hardware.
- (3) Remove all parts and hardware from box and lay out on a carpeted or scratch-free work surface, such as the cardboard, as this will avoid damaging any parts during assembly.
- (4) Do not fully tighten all bolts until all parts are in place. Failure to follow these instructions may cause the bolts to misalign during assembly.

## CARE INSTRUCTIONS

- (1) Hardware may loosen overtime. Periodically check that all connections are tight.
- (2) Wipe with a soft, dry cloth. To protect finish, avoid the use of chemicals and household cleaners.
- (3) All hot serving dishes should be placed on a pad.
- (4) Any liquid spilled onto the furniture should be cleaned up immediately with a damp cloth.


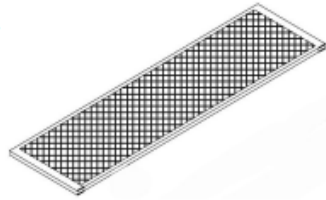


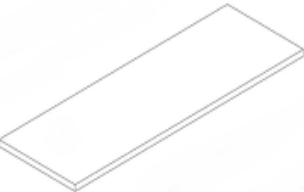



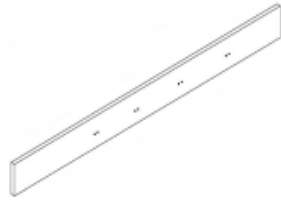
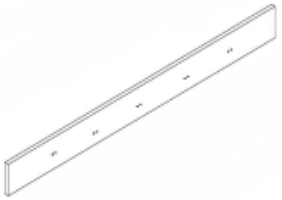






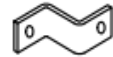

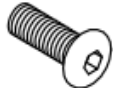

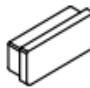


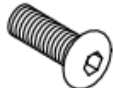
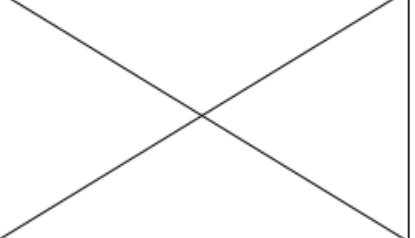


Proper assembly of this item requires 2 people



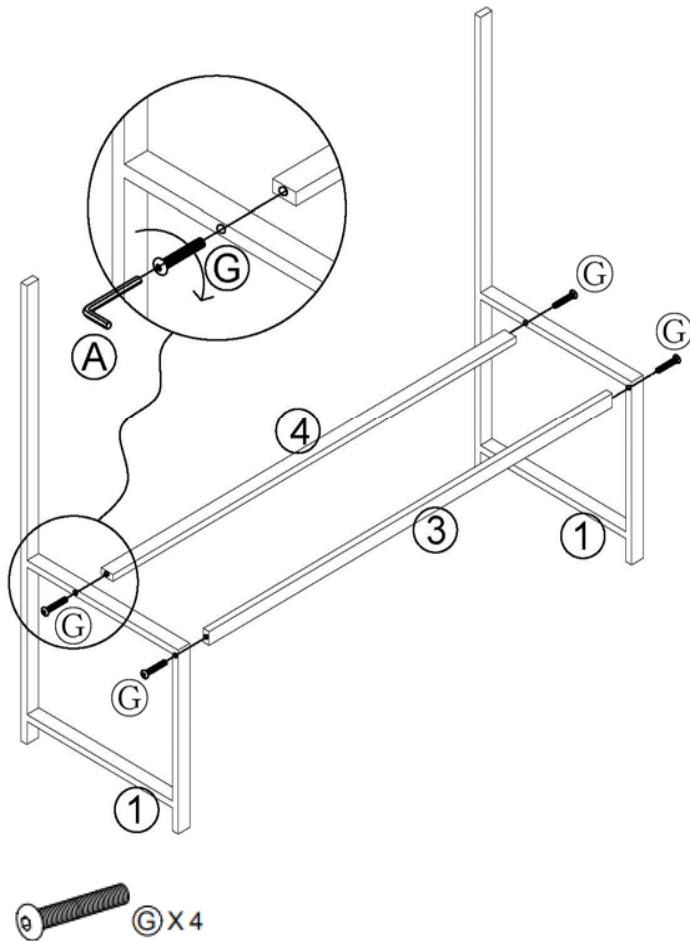
When assembling, please place it on a clean and smooth floor, such as carpet or cardboard.

# Parts & Hardwares

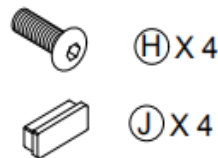
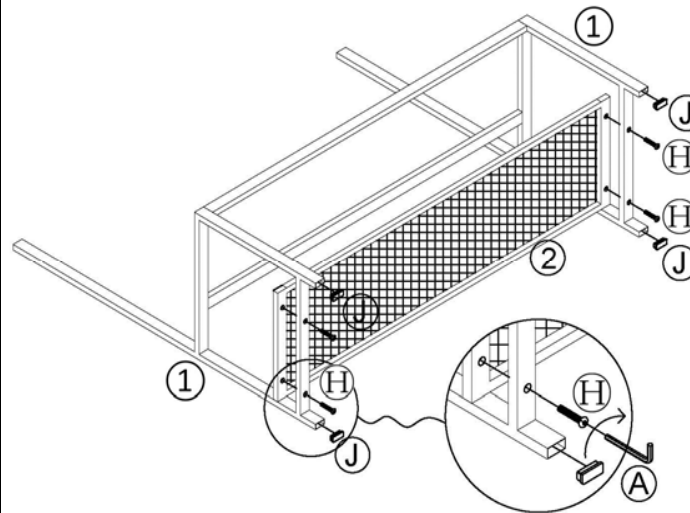
<p>①</p>  <p>Side Frame 2PCS</p>	<p>②</p>  <p>Metal Grid 1PC</p>	<p>③</p>  <p>Bottom Rail 1PC</p>	<p>④</p>  <p>Back Bottom Rail 1PC</p>	<p>⑤</p>  <p>Top Panel 1PC</p>
<p>⑥</p>  <p>Side Rail 2PCS</p>	<p>⑦</p>  <p>Top Rail 1PC</p>	<p>⑧</p>  <p>Third Board 1PC</p>	<p>⑨</p>  <p>Second Hook Rail Board 1PC</p>	<p>⑩</p>  <p>Top Hook Rail Board 1PC</p>
<p>⑪</p>  <p>Support Bar 2PCS</p>	<p>A</p>  <p>Alley Key 1PC</p>	<p>B</p>  <p>Dual Hook 9PCS</p>	<p>C</p>  <p>Nut 13PCS</p>	<p>D</p>  <p>Allen Wrench 1PC</p>
<p>E</p>  <p>Screwdriver 1PC</p>	<p>F</p>  <p>Lock Wall Iron 2PCS</p>	<p>G</p>  <p>Long Bolts(M6*40) 7PCS</p>	<p>H</p>  <p>Bolt(M6*25) 9PCS</p>	<p>I</p>  <p>Small Bolt(M6*12) 11PCS</p>
<p>J</p>  <p>Plastic Sleeve 4PCS</p>	<p>K</p>  <p>Screw(M3.5*14) 18PCS</p>	<p>L</p>  <p>Anchor Kit(6*30MM) 2PCS</p>	<p>M</p>  <p>Medium Bolt(M6*35) 12PCS</p>	

# HALL TREE ASSEMBLY INSTRUCTION

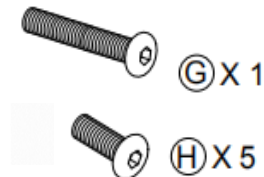
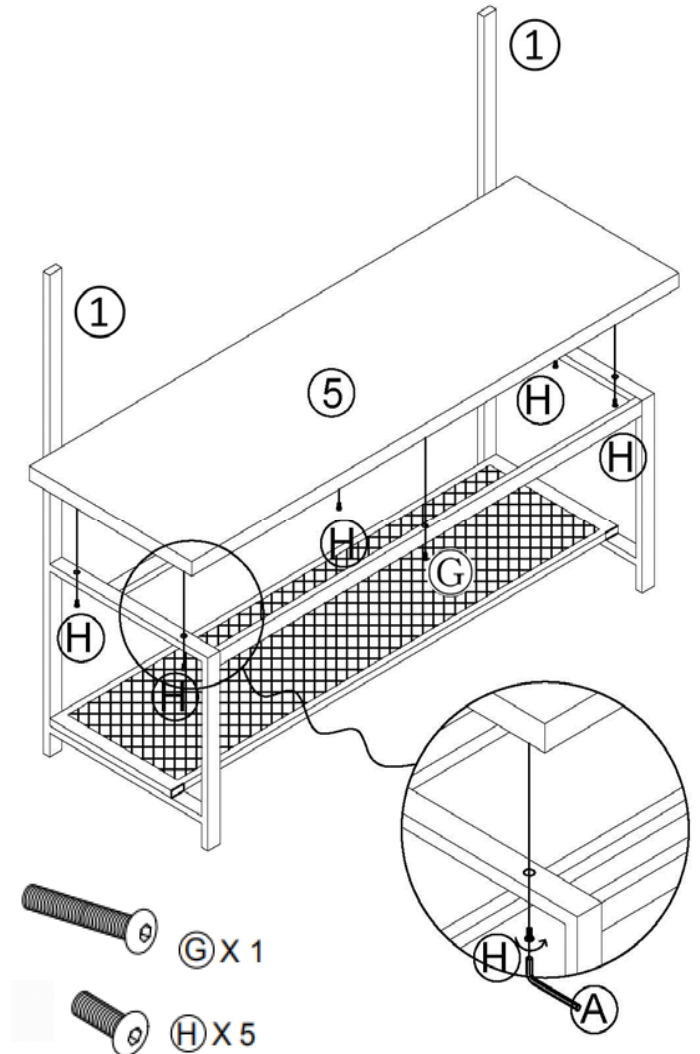
Step 1: Lay the parts (①③④) on flat and clean surface such as carpet or cardboard. With the help of another person, attach and fix the Bottom Rail (③) and Back Bottom Rail (④) to the 2 Side Frames (①) by using 4 Long Bolts (G), tighten them with supplied Allen Key (A). Do not fully tighten all bolts until all parts are in place.



Step 2: Lay down the assembled part gently, attach the Metal Grid (②) to the assembled part, align the holes and insert 4 Bolts (H) to the 2 Side Frames (①) and Metal Grid (②) from bottom as shown. Then tighten them with supplied Allen Key (A). Do not fully tighten all bolts until all parts are in place. Next, insert 4 Plastic Sleeve (J) into the bottom of the 2 Side Frames (①) as shown.

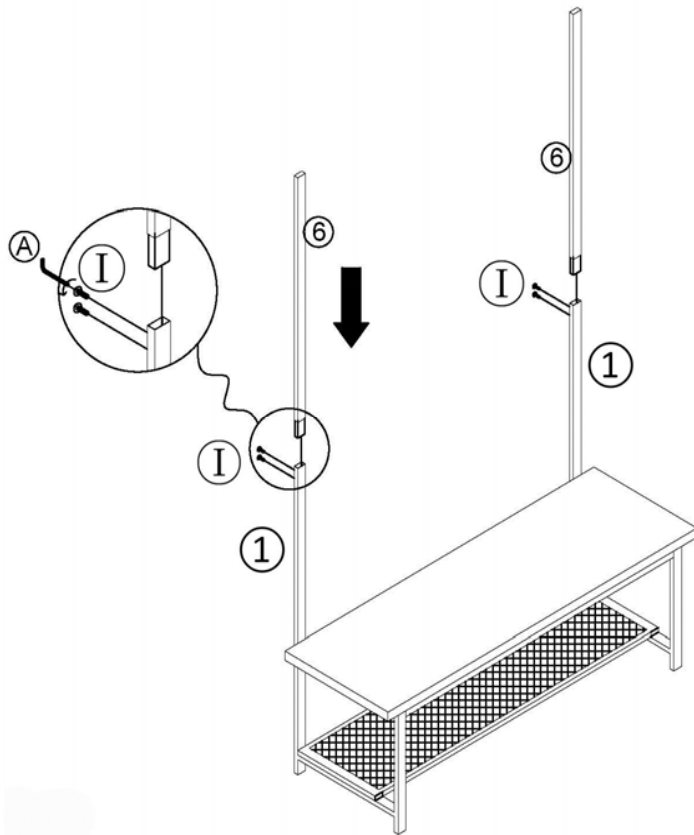


Step 3: With the help of another person, flip on the assembled part gently to make it stands. Attach the Top Panel (⑤) to the assembled part, insert 5 Bolts (H) and 1 Long Bolt (G) from bottom as shown. Then tighten them with supplied Allen Key (A). Do not fully tighten all bolts until all parts are in place.



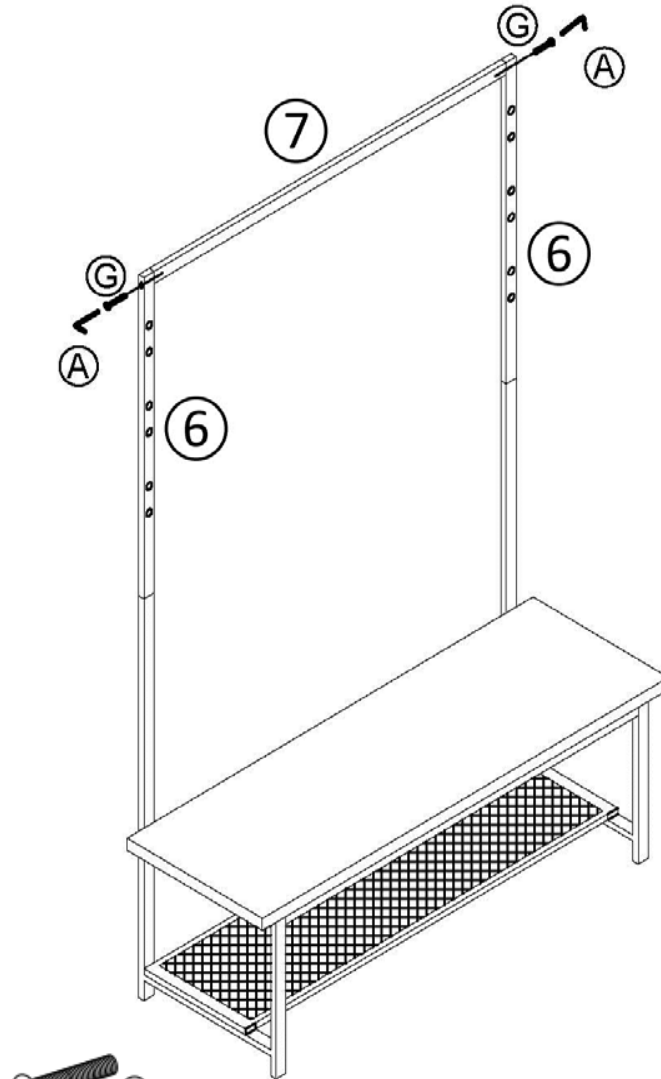
# HALL TREE ASSEMBLY INSTRUCTION

Step 4: Attach the 2 Side Rails (⑥) to the 2 Side Frames (①) as shown, insert 4 Small Bolts (①) and tighten them with supplied Allen Key (A). Do not fully tighten all bolts until all parts are in place.



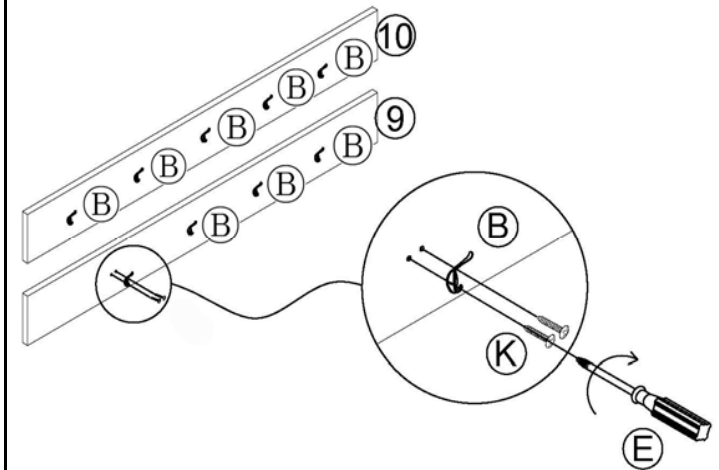
① X 4

Step 5: With the help of another person, keep Top Rail (⑦) on top of the hall tree and tighten with given 2 Long Bolts (G) by supplied Allen Key (A). Do not fully tighten all bolts until all parts are in place.



G X 2

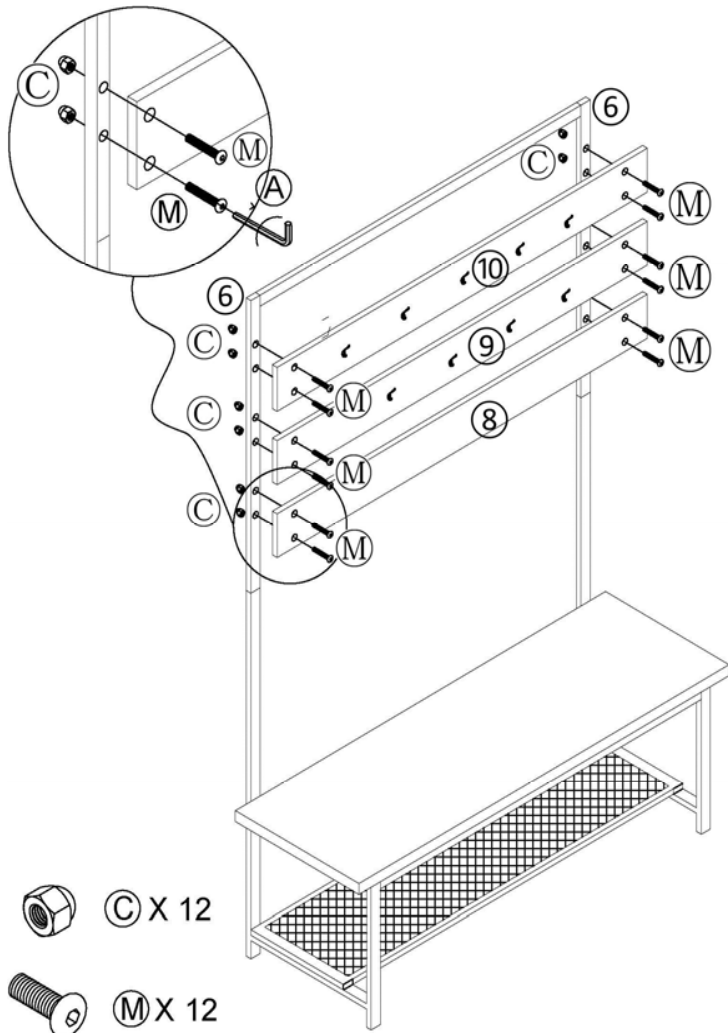
Step 6: Put the Top Hook Rail Board (⑩) and Second Hook Rail Board (⑨) on the soft surface. Fully tighten 9 Dual Hooks (B) with 18 Screws (K) by Screwdriver (E).



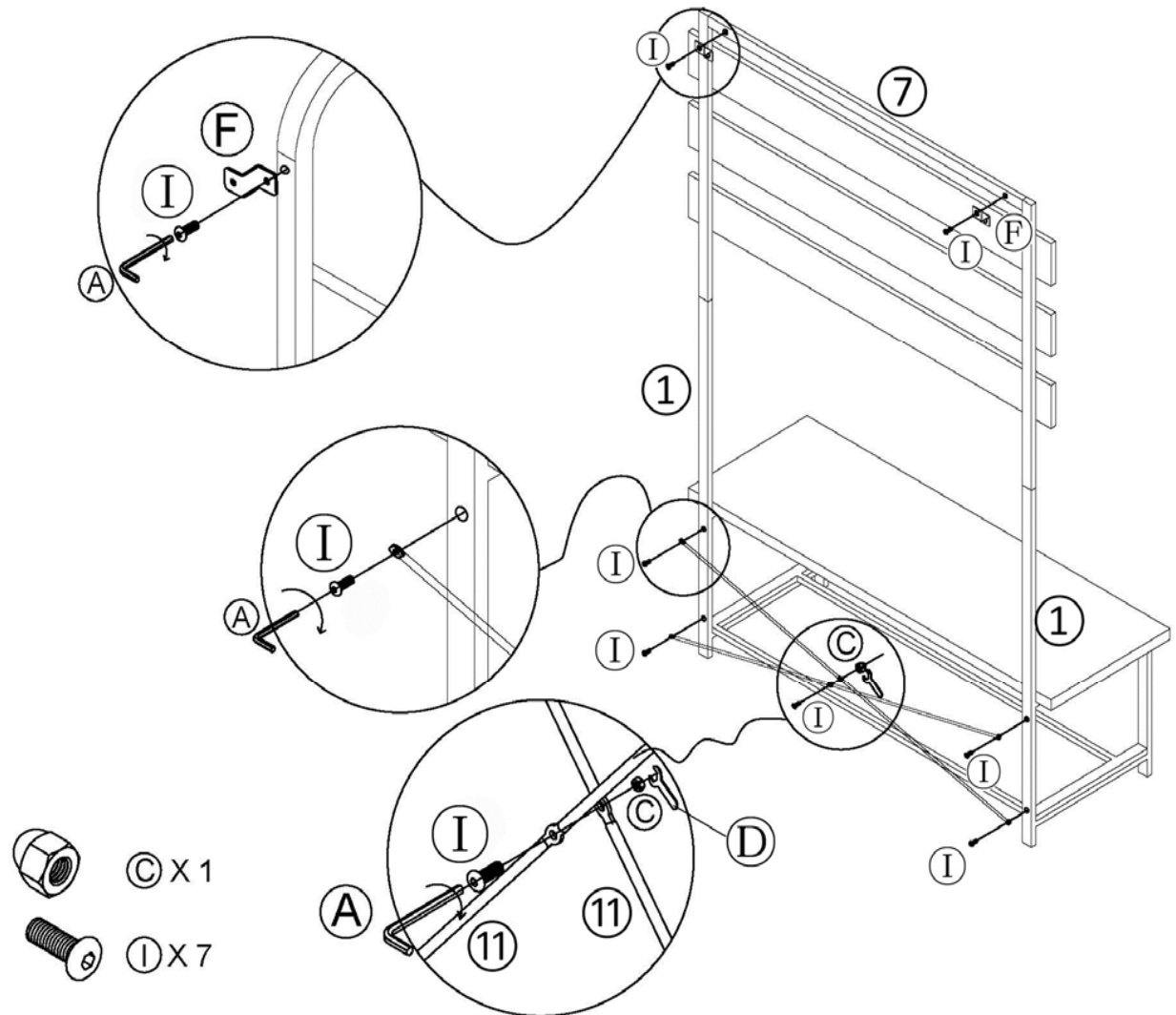
K X 18

# HALL TREE ASSEMBLY INSTRUCTION

Step 7: With another person help, fasten 3 boards (8,9,10) to 2 Side Rails (6) by using 12 Medium Bolts (M) and 12 Nuts (C) as shown, Tighten with supplied Allen Key (A) and Allen Wrench (D). Do not fully tighten all bolts until all parts are in place.



Step 8: Fasten 2 Support Bars (11) with 1 Small Bolt (I) and 1 Nut (C) by Allen Key (A) and Allen Wrench (D). Attach the 2 Support Bars(11) on the back of hall tree by inserting 4 Small Bolt (I) and fully tighten with supplied Allen Key (A). Next, attach 2 Lock Wall Iron (F) to the Top Rail (7) by inserting 2 Small Bolts (I) and tighten with supplied Allen Key (A).



# HALL TREE ASSEMBLY INSTRUCTION

Step 9: To prevent wobble and property damage from unexpected tipping of furniture, we highly recommend installation of the anti-tip kit included with this product. Drill holes at marked spot with a drill bit. Insert the 2 Anchor Kit (L) into the wall at the insertion points. Knock the anchors in until they are flush with wall. Next, attach the 2 Lock Wall Iron (F) to the 2 holes and insert 2 Anchor Kit (L), fully tighten with supplied Screwdriver (E). Re-tighten all bolts and assembly is complete.

