

Description

- 60X32"
- Rectangular bathtub
- Integrated apron and flange, drain left
- Alcove installation
- 3/16" sanitary acrylic
- Bath waste not included
- Request the bath waste code 100093720 or 100161766

Finish



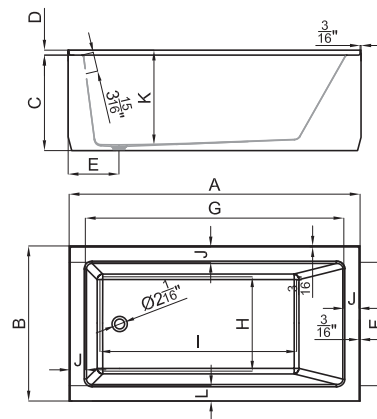
glossy white
100160300

Certifications and quality characteristics



Technical drawing

Dimensions in inches



Dimension	Position	Symbol	Unit	Min	Max	A	B	C	D	E	F	G	H	I	J	K	L	
60" x 32"	Overall																	
	Apron																	
	Flange																	
	Drain																	