

5-Tier Steel Wire Shelving with Casters

Model #: WEB930 / WEB675

Dimensions:
30" W x 14" D x 61.5" H (60" H on leveling feet)

Customer Service Information

Seville Classics, Inc.

Telephone: (800) 323-5565

Fax: (310) 533-3899

Hours: 8:30 AM – 4:30 PM (PST)

Email: Support@SevilleClassics.com

Online Store: www.SevilleClassics.com

Thank you for choosing Seville Classics!

We hope you enjoy your new Steel Wire Shelving.

Please read these assembly instructions and frequently asked questions to ensure proper assembly.

The contact information for our live customer support team based in California is on the last page.

You can view an assembly video by scanning the QR code



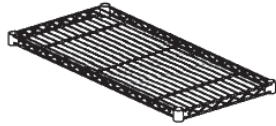
Attention:

Unpack and remove all parts from the box.
Please review the below parts list to ensure you received all the necessary parts.

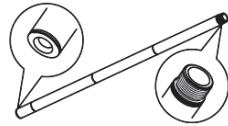


We recommend using two people to assemble the unit.

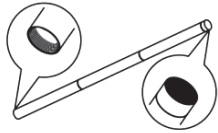
Parts List



A. Shelf (5 pcs)



B. Bottom Poles (4 pcs)
(Threaded end)



C. Top Poles (4 pcs)
(Plastic cap on end)



D. Connectors (4 pcs)
(May be attached to poles)



E. Slip Sleeves (20 pairs)



F. Locking Casters (2 pcs)



G. Casters (2 pcs)



H. Leveling Feet (4 pcs)

WARNING

- **WARNING! DO NOT** move the shelving system when loaded. Always check that the casters are tightly screwed into the poles before moving. The casters can only support a maximum of 110 lbs. Immediately replace casters that are worn or damaged.
- **CAUTION! DO NOT** stand on or climb on the rack.
- **CAUTION! DO NOT** drop heavy items on the shelves.
- Place heavier items on the lower shelves and lighter ones on the top shelves.

Please visit www.sevilleclassics.com to shop our wide range of products.

If you are missing any parts or have any questions with assembly, please contact our live customer support team at **(800) 323-5565** or Support@SevilleClassics.com, which can assist you in both English and Spanish.



Note:

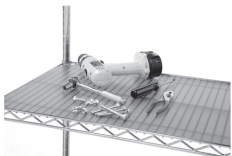
Please be considerate of the environment and recycle the brown box the item was delivered in along with all applicable packaging materials. Thank you.

Weight capacity	Per shelf	Overall
On leveling feet	300 lb. (136.1 kg) evenly distributed	1500 lb. (680 kg)
On wheels	27.5 lb. (12.4 kg) evenly distributed	110 lb. (49.9 kg)

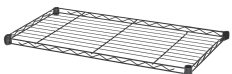
Shop for additional shelving parts and accessories at www.sevilleclassics.com.



Shelf Labels (6-Pack), Model #: WEB106



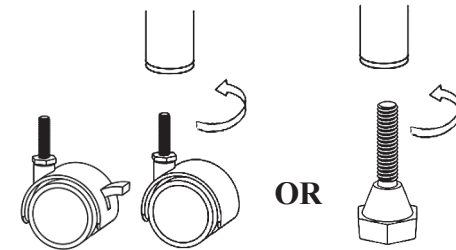
Shelving Liners 30" x 14" (5-Pack), Model #: WEB750



Steel Wire Shelf 30" x 14", Model #: WEB370

STEP 1.

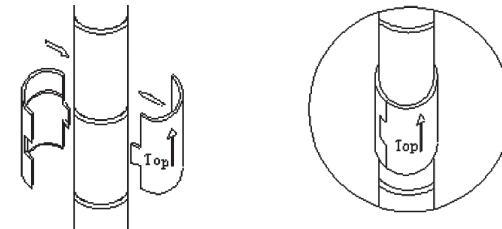
Screw-in either **CASTERS (F & G)** or **LEVELING FEET (H)** into the **BOTTOM POLES (B)**. Repeat for all bottom poles.



STEP 2.

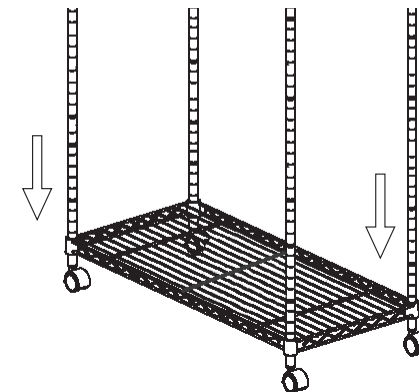
Snap **SLIP SLEEVES (E)** around the grooves on the **BOTTOM POLES (B)** for your lowest shelf.

TIP! Count the number of grooves from the bottom of the pole to keep the height consistent for all slip sleeves.



STEP 3.

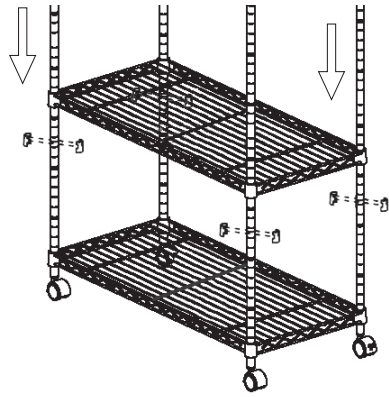
Fit a **SHELF (A)** over the top of the 4 poles and over the **SLIP SLEEVES (E)**. Push the shelf down until snug.



STEP 4.

Repeat **STEPS 2-3** for the next shelf.

TIP! If necessary, lightly tap the shelves into place with a rubber mallet (not included).

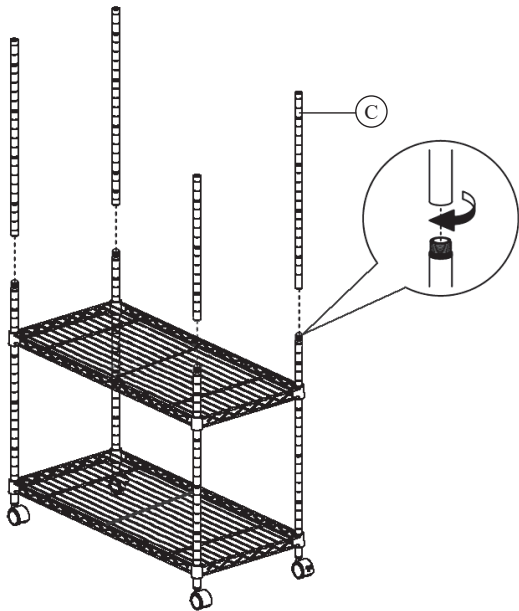


STEP 5.

Screw the **CONNECTORS (D)** into the top of the **BOTTOM POLES (B)**.

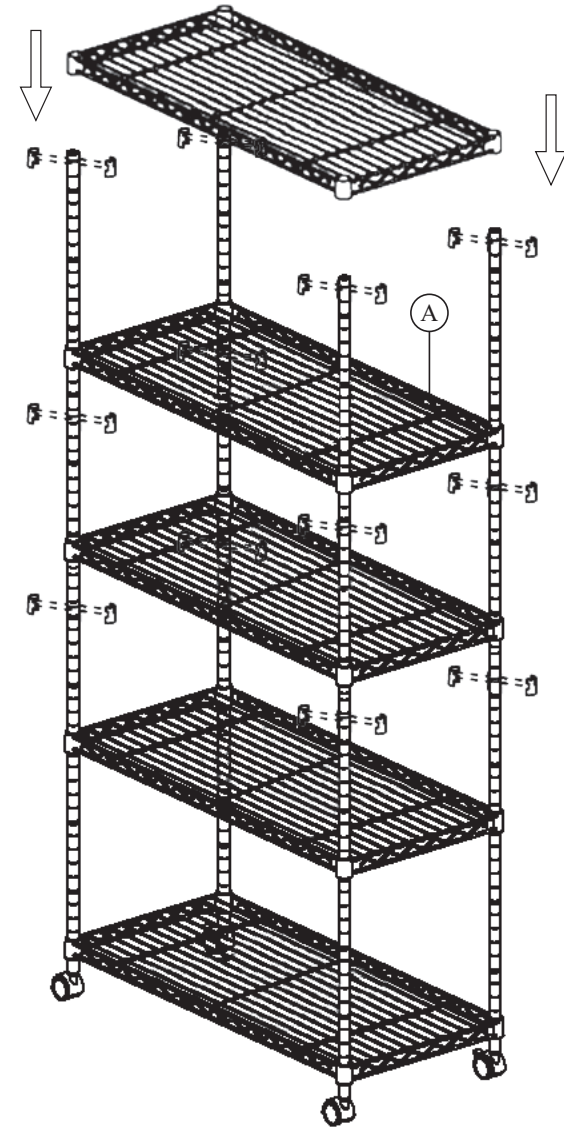
TIP! Connectors may already be pre-installed. If they are not, the connectors will be packaged separately in a bag.

Screw the **TOP POLES (C)** onto the **CONNECTORS (D)**.



STEP 6.

Snap the **SLIP SLEEVES (E)** around the grooves on the **TOP POLES (C)** for the remaining **SHELVES (A)**.



Your steel wire shelving is now assembled and ready to use.