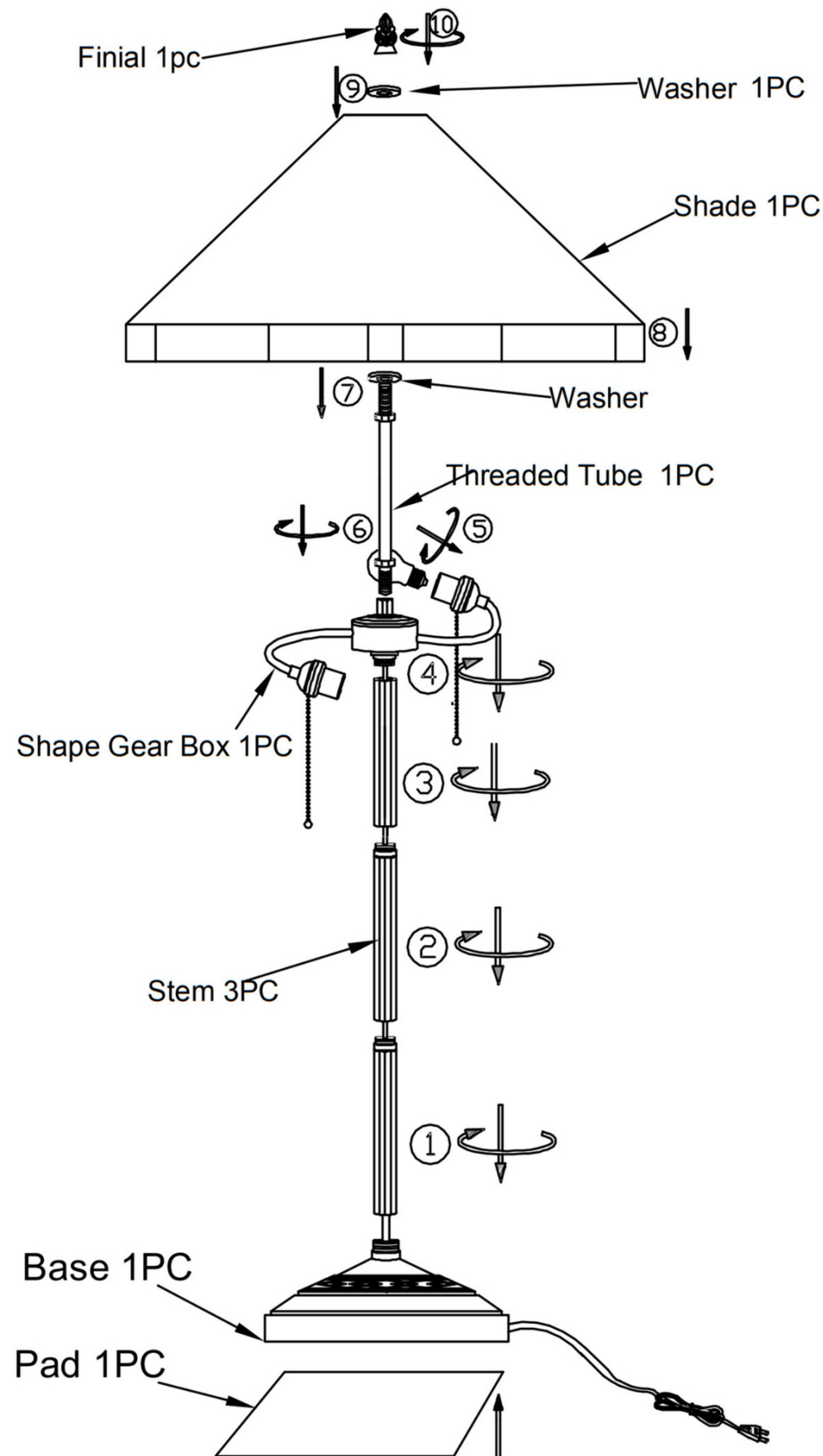


Assembly Instructions



Assembly Instructions:

1. Screw on the stems ①②③
2. Screw on the S shape Gear Box ④
3. Screw on the Bulbs ⑤
4. Screw on the Threaded Tube ⑥ and put on washer ⑦
5. Put the Shade on ⑧
6. Put on the washer ⑨ and screw on the Finial ⑩

Caution:

- Do not remove the lamp with power on.
- Stay away from fire, direct sunshine, high temperature and wetness.
- Never put it in the washing room.
- Do not touch the shade when with the power on for too long to avoid burning your skin.
- Consult A Qualified Electrician to ensure correct Branch circuit conductor.
- Consult A Qualified Electrician to ensure correct Branch circuit conductor.

Warning: California residents Proposition 65

This product contains lead, a chemical known to the state of California to cause cancer and birth defects or other reproductive harm. Do not place the product in your mouth. Wash your hands after handling this products.

NOTES: Shade colors will appear darker and less vibrant when not illuminated.

This stained glass product has been protected with mineral oil as part of the finishing process.

Please use a soft dry cloth to remove any excess oil.