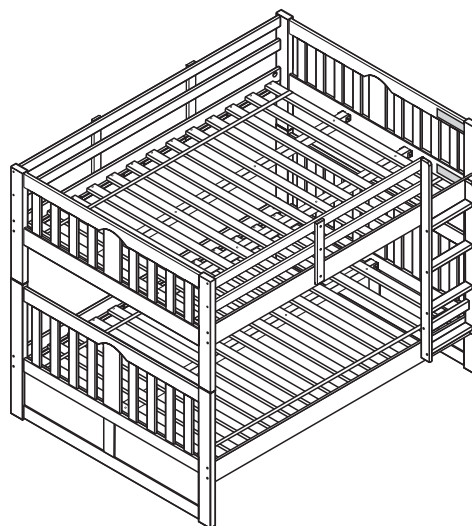


ASSEMBLY INSTRUCTIONS

FULL BUNK BED

Thank you for purchasing this quality product. Be sure to check all packing materials carefully for small parts which may have come loose inside the carton during shipment. Separate, identify and count all parts and hardware. Compare with the parts list to be sure all parts are present.



**”DO NOT TIGHTEN SCREWS
UNTIL COMPLETELY ASSEMBLED”**

SIZE OF MATTRESS AND FOUNDATION (SUPPORT)

This bed is designed to use a full mattress (53½” - 54½” x 74-75” and bunkie board (53½” x 74”). The total thickness must not exceed 9” inches. Do not use mattress without the proper bunkie board of safe foundation.

Note: There must be at least 5” inches from top surface of mattress to top edge or guardrails.

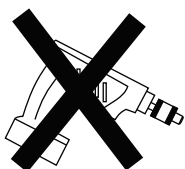
REPLACEMENT PARTS.

Replacement parts, including additional guardrails, may be obtained from place of purchase or original distributor.

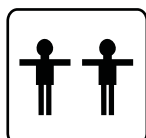
TO OBTAIN PARTS, PLEASE CONTACT US.

SAFETY WARNINGS!

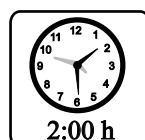
- 1- Follow the information on the warning label appearing on the upper bunk end structure and on the carton. Do not remove warning label from bed.
- 2- Always use the recommended size mattress or mattress support, or both, to help prevent the likelihood of entrapment or falls.
- 3- Surface of mattress must be at least 5 inches below the upper edge of guardrails.
- 4- Do not allow children under 6 years of age to use the upper bunk.
- 5- Prohibit more than one person on upper bunk.
- 6- Periodically check and ensure that the guardrail, ladder and other components are in their proper position free from damage, and that all connectors are tight.
- 7- Do not allow horseplay on or under the bed and prohibit jumping on the bed.
- 8- Always use the ladder for entering and leaving the upper bunk.
- 9- Do not use substitute parts. Contact distributor or dealer for replacement parts.
- 10- Use of a night light may provide added safety precaution for a child using the upper bunk.
- 11- If the bunk bed will be placed next to a wall, the guardrail that runs the full length of the bed should be placed against the wall to prevent entrapment between the bed and the wall.
- 12- Always use guardrails on both long sides of the upper bunk.
- 13- The use of water or sleep flotation mattresses is prohibited.
- 14- Keep these instructions for future reference.
- 15- Strangulation Hazard - Never attach or hang items to any part of the bunk bed that are not designed for use with the bed: for example, but not limited to, hooks, belts, and jump ropes, etc.



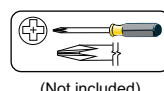
!
* Use of power tool to assemble this product will invalidate any claim and damage this product making unsafe !!!
* Please assemble on a clean soft surface to avoid damage.



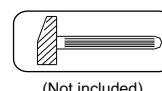
+



Tools Required



(Not included)



(Not included)



IMPORTANT: PLEASE READ INSTRUCTIONS BEFORE STARTING THE ASSEMBLY

Part list: Full Bunk Bed

**CERTIFICATION LABEL
DO NOT REMOVE!**

CERTIFICATION LABEL
This bed has been tested by an independent laboratory and is in compliance with ASTM F1427 Standard Consumer Safety Specification For Bunk Beds and the Government Code of Federal Regulations 223 and 1513.
Purchase this product from the manufacturer listed below.
DATE: OCTOBER 2014
FOR MORE INFORMATION, VISIT: www.p3barrington.com

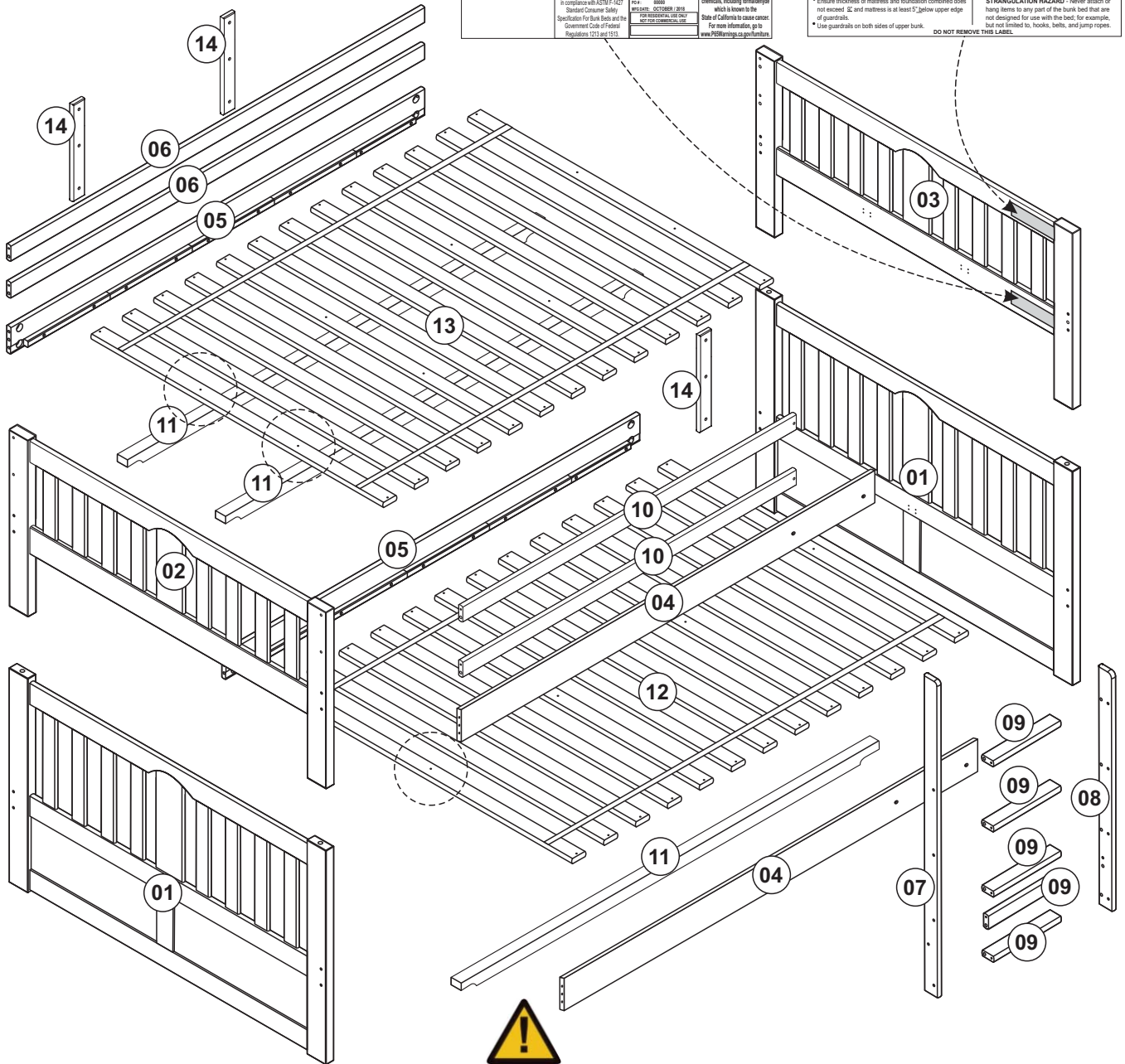
WARNING
California Proposition 65
This product can expose you to chemicals, including formaldehyde, which is known to the State of California to cause cancer. For more information, go to www.P65Warnings.ca.gov/formaldehyde

**WARNING LABEL
DO NOT REMOVE!**

WARNING
TO HELP PREVENT SERIOUS OR FATAL INJURIES FROM ENTRAPMENT OR FALLS:

- Never allow a child under 6 years on upper bunk.
- Only use mattress which is 14" (35.5 cm) long and 53 1/2" - 54 1/2" wide and maximum 9" high on upper and lower bunk.
- Ensure thickness of mattress and foundation combined does not exceed 12" and mattress is at least 5" below upper edge of guardrails.
- Use guardrails on both sides of upper bunk.
- Prohibit "homeplay" on or under bed(s).
- Prohibit more than one person on the upper bunk.
- Use ladder for entering and leaving upper bunk.
- **STRANGULATION HAZARD** - Never attach or hang items to any part of the bunk bed that are not designed for use with the bed, for example, but not limited to, hooks, belts, and jump ropes.

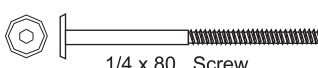

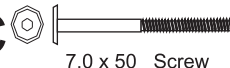
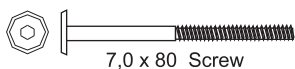
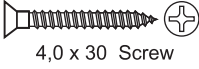

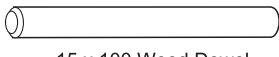
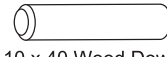


DO NOT REMOVE THIS LABEL.



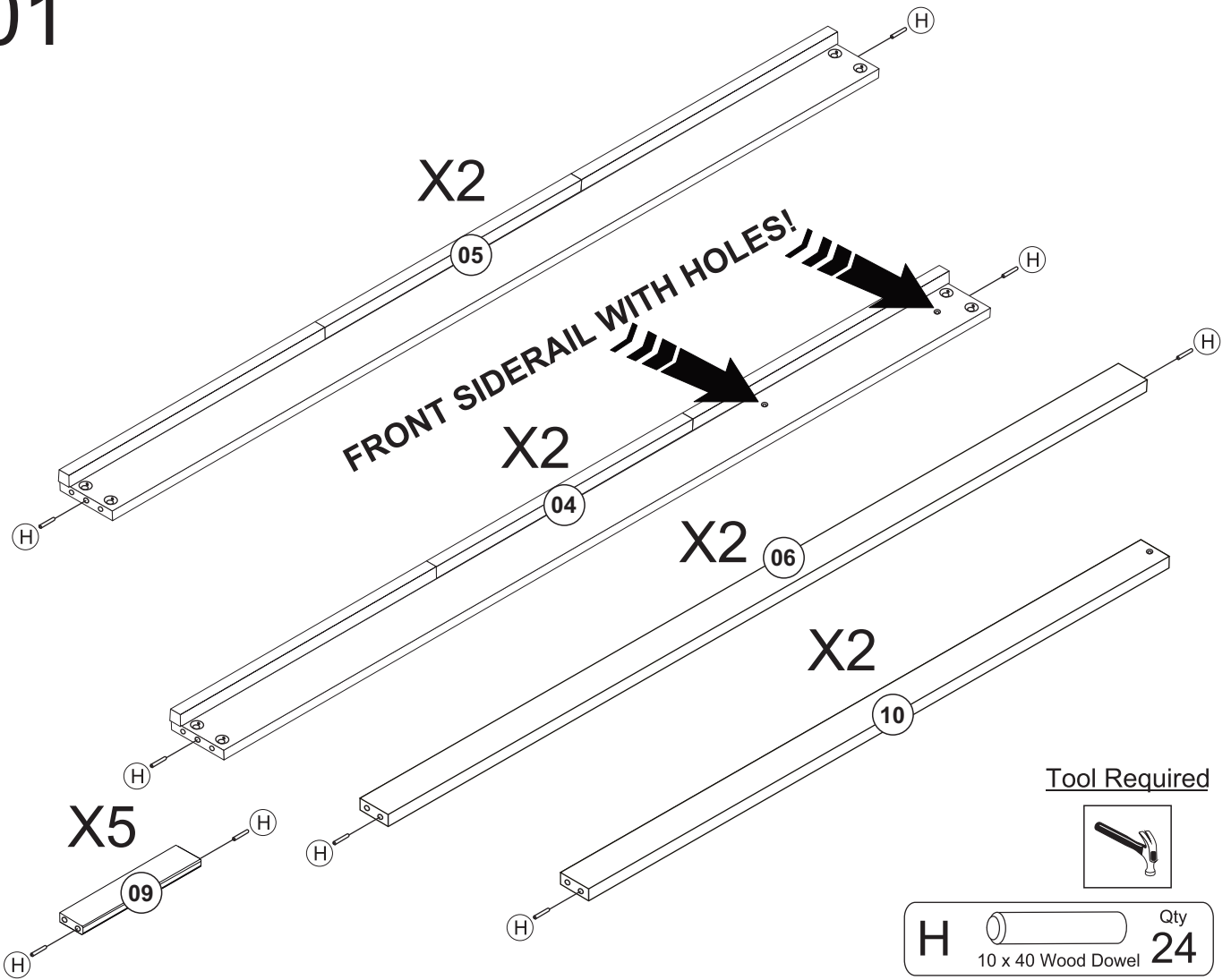
CAUTION!

Please be careful when assembling this product due the parts are extremely heavy. Also, please do not allow kids around when assembling this bed to avoid injuries!

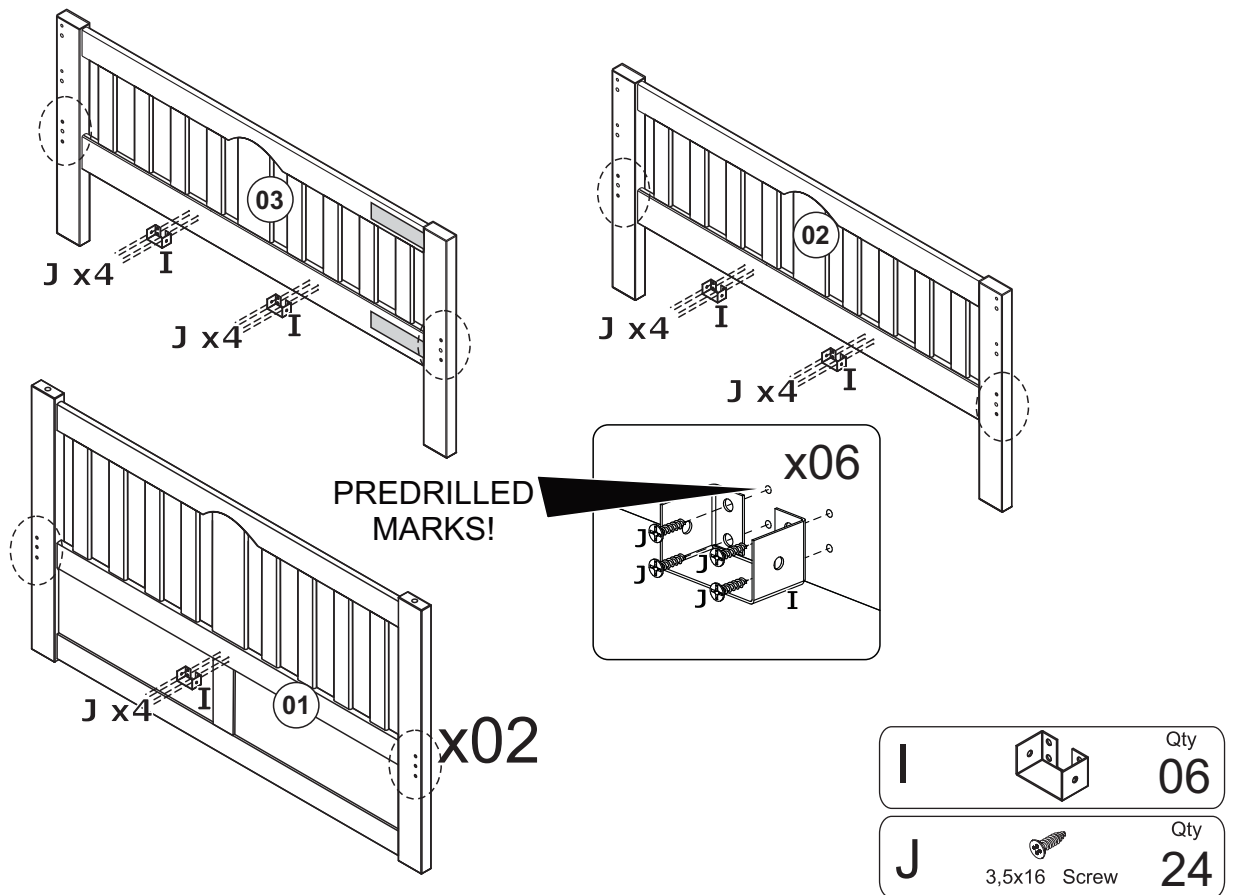
Identifying the Hardware/part list - Identify the hardware using the illustrations below.

| | | | | | | | | |
|----------|---|------------------|----------|---|------------------|----------|---|------------------|
| A |  | Qty 16 | B |  | Qty 16 | C |  | Qty 16 |
| D |  | Qty 06 | E |  | Qty 73 | F |  | Qty 01 |
| G |  | Qty 04 | H |  | Qty 24 | I |  | Qty 06 |
| J |  | Qty 36 | | | | | | |

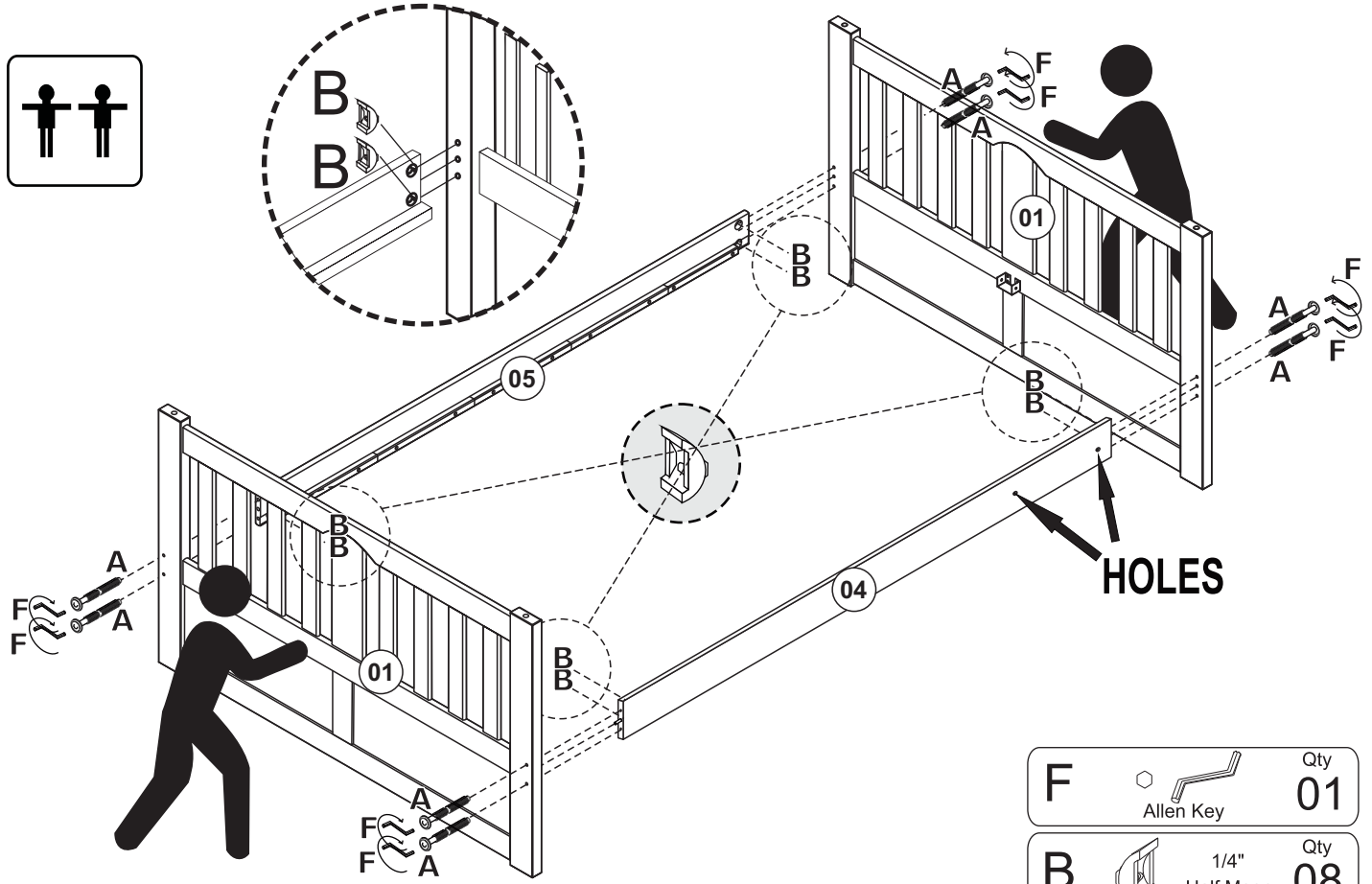
01



02



03 BOTTOM BED



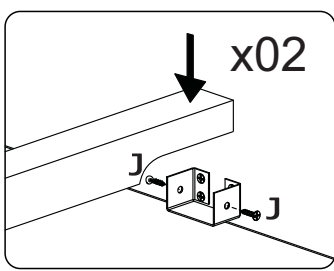
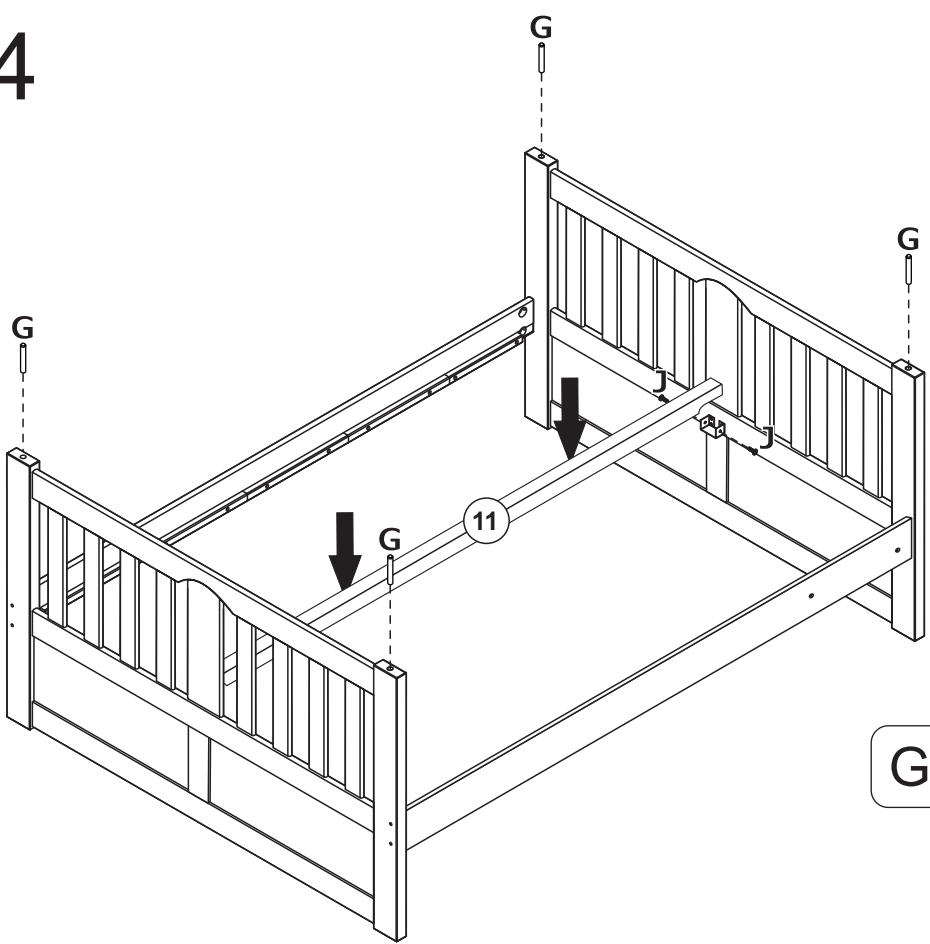
HOLES

| | | |
|----------|-----------|-----------|
| F | | Qty |
| | Allen Key | 01 |

| | | |
|----------|----------------|-----------|
| B | | Qty |
| | 1/4" Half Moon | 08 |

| | | |
|----------|----------------|-----------|
| A | | Qty |
| | 1/4 x 80 Screw | 08 |

04



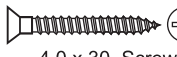
Tool Required

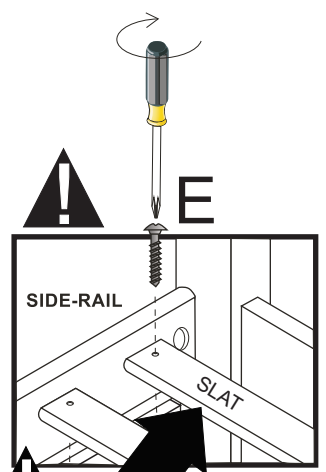
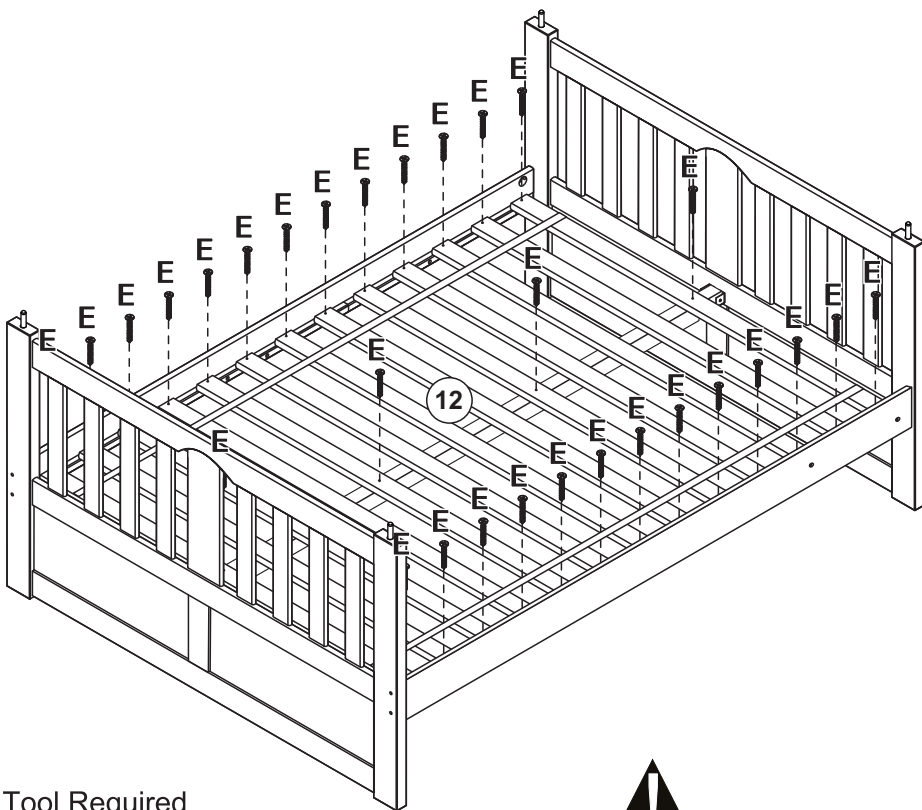


| | | |
|----------|---------------------|-----------|
| G | | Qty |
| | 15 x 100 Wood Dowel | 04 |

| | | |
|----------|--------------|-----------|
| J | | Qty |
| | 3,5x16 Screw | 04 |

05

E  Qty **30**
4,0 x 30 Screw



Tool Required

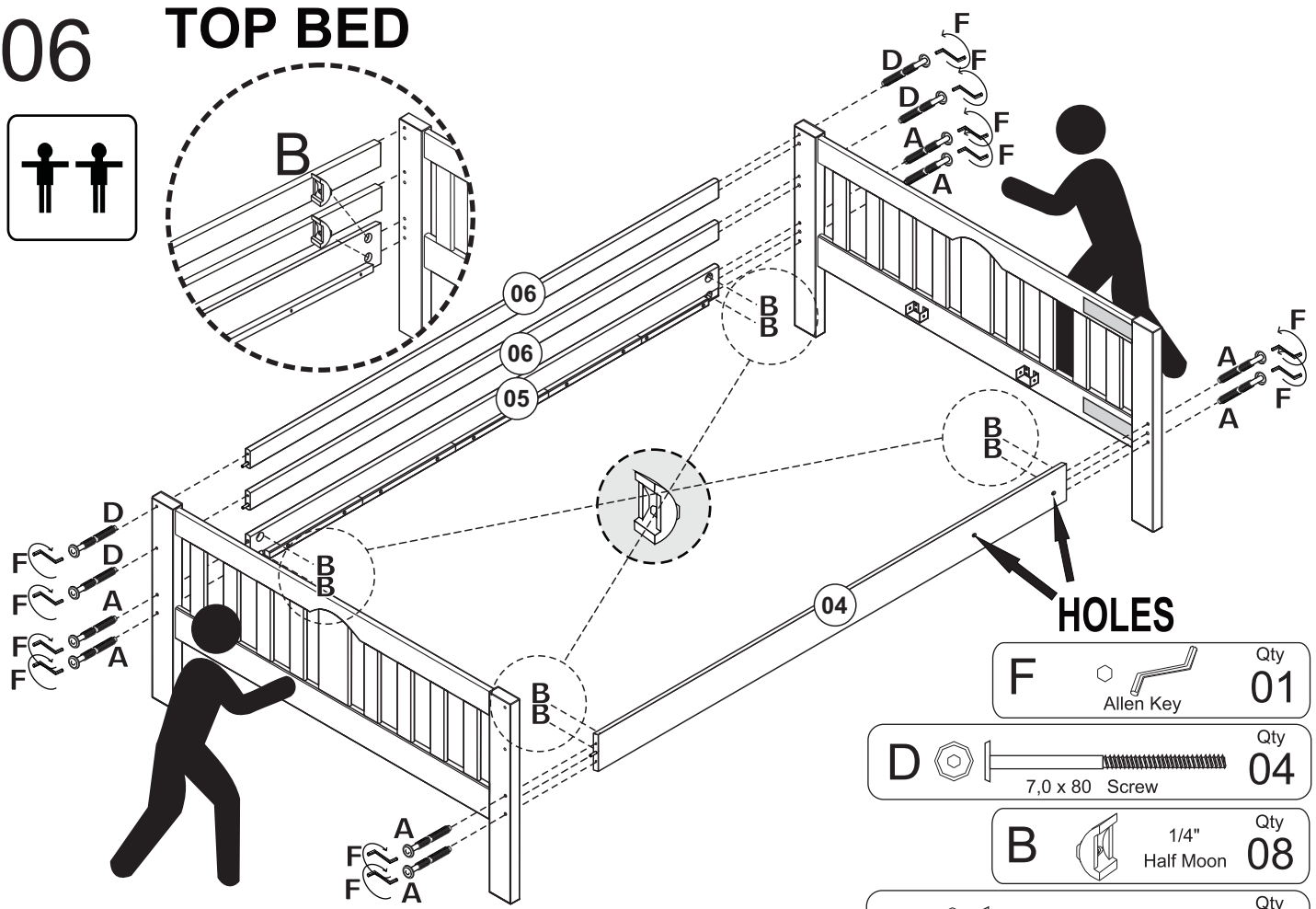
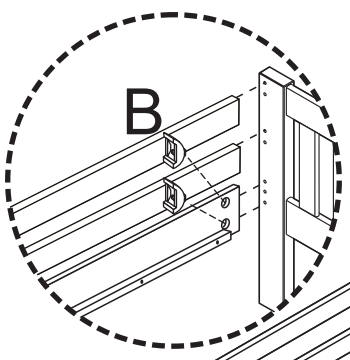
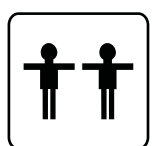



(Phillips Key)

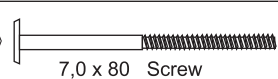
INSTALL SLAT KIT WITH SPACER TAPE ON TOP (FACING UP)

The first slats must be fixed at 3" from each headboard end.

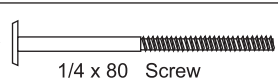
06 TOP BED



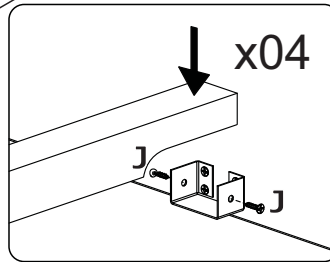
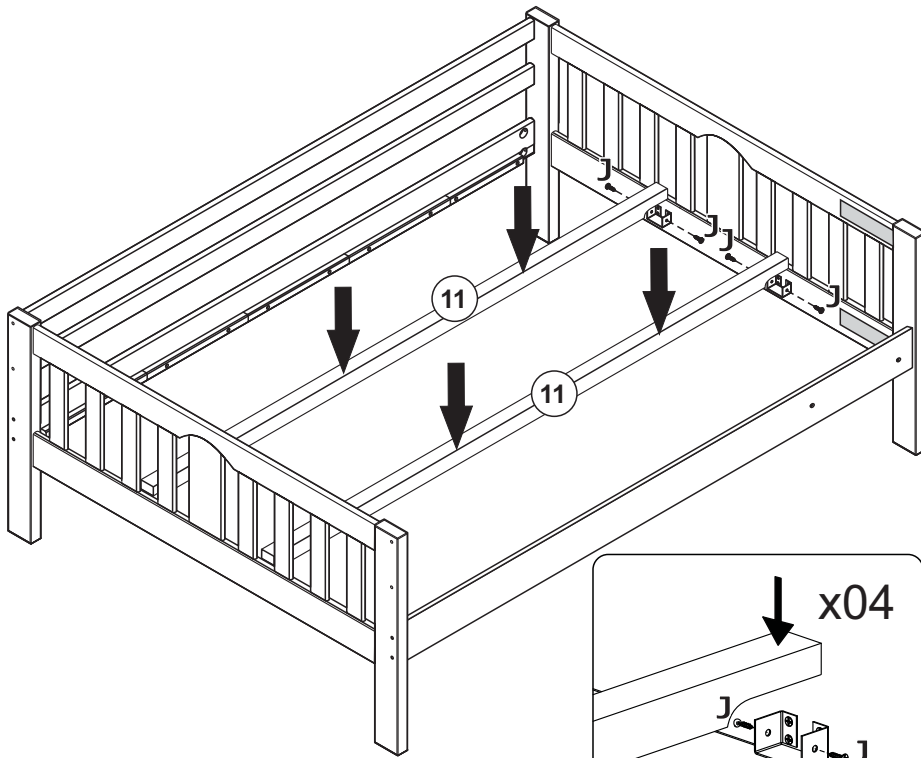
F  Qty **01**
Allen Key

D  Qty **04**
7,0 x 80 Screw

B  Qty **08**
1/4" Half Moon

A  Qty **08**
1/4 x 80 Screw

07



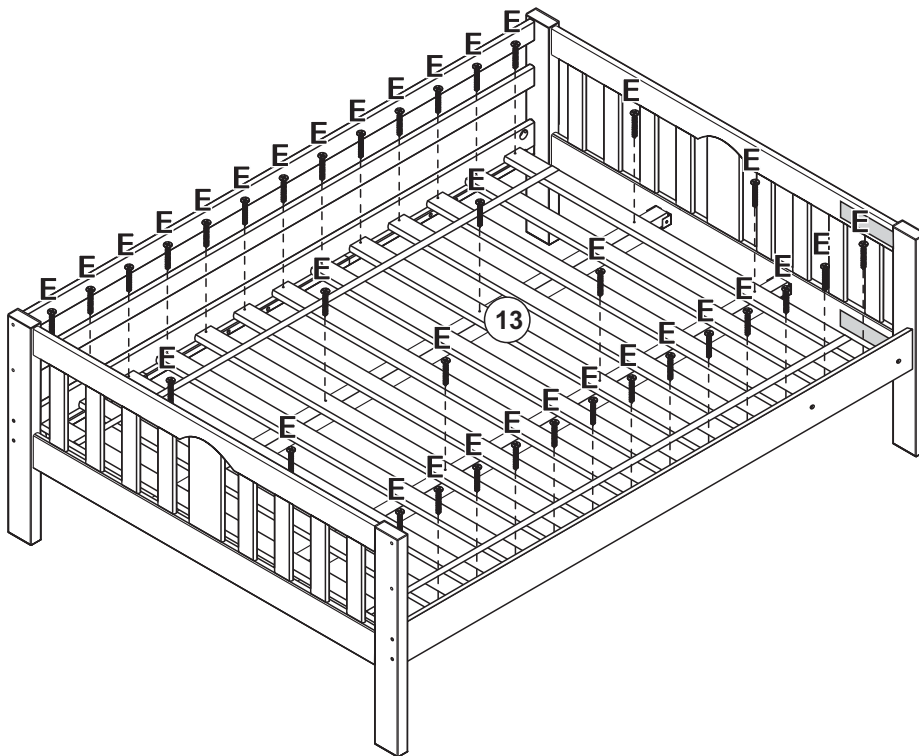
Tool Required




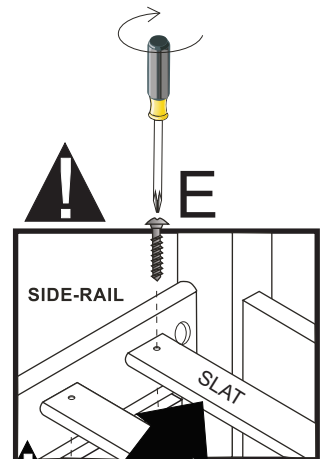
(Phillips Key)

| | | |
|----------|---|-----------|
| J |  | Qty |
| | 3,5x16 Screw | 08 |

08



| | | |
|----------|---|-----------|
| E |  | Qty |
| | 4,0 x 30 Screw | 34 |



Tool Required

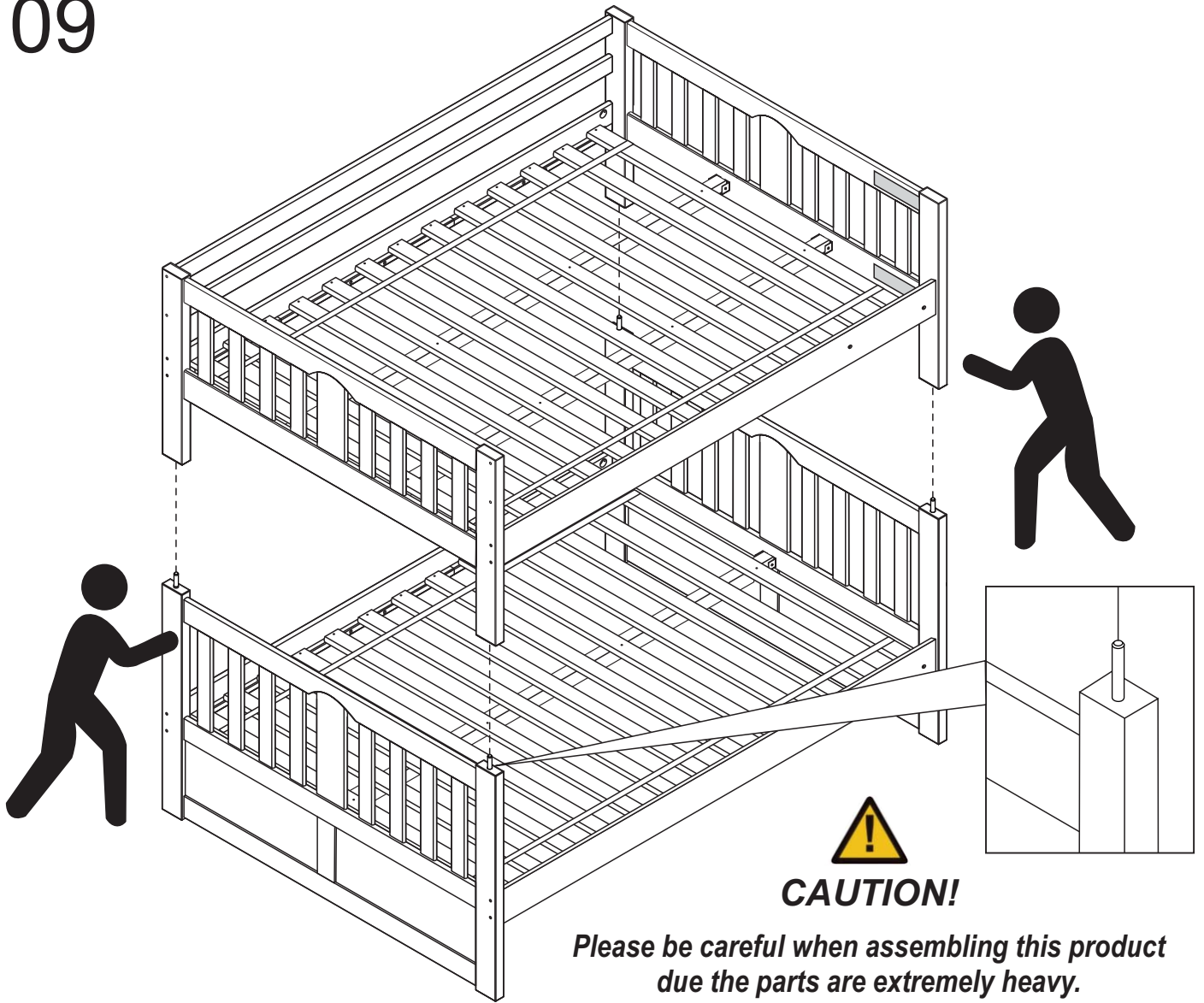


(Phillips Key)

INSTALL SLAT KIT WITH SPACER TAPE ON TOP(FACING UP)

The first slats must be fixed at 3" from each headboard end.

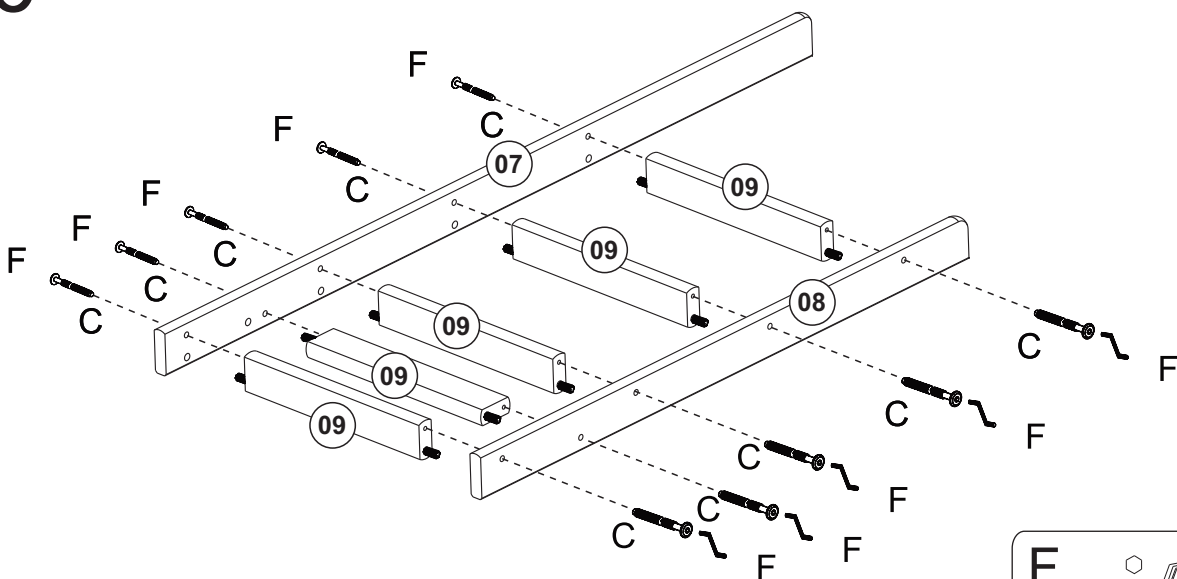
09


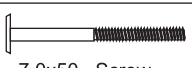


CAUTION!

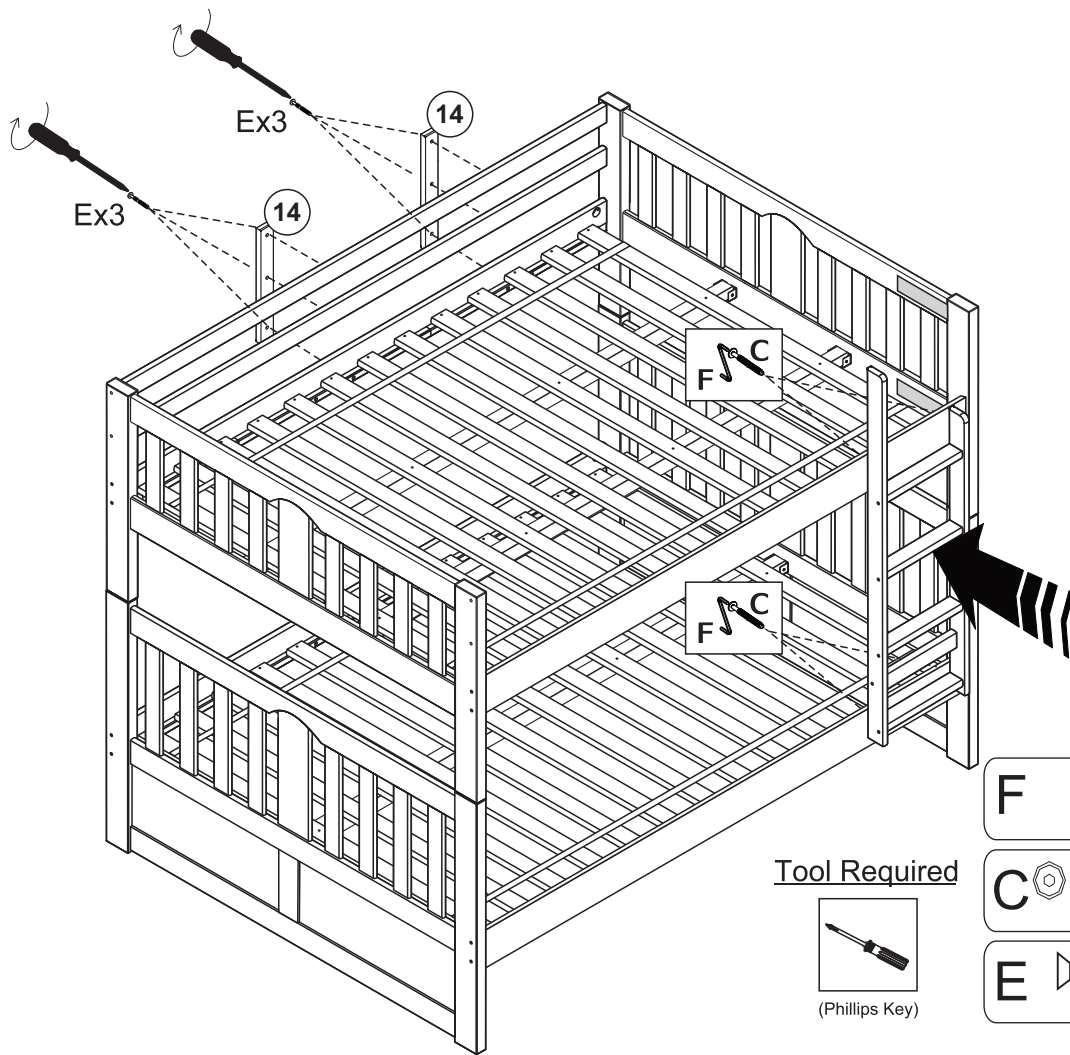
Please be careful when assembling this product due the parts are extremely heavy. Also, please do not allow kids around when assembling this bed to avoid injuries!

10 LADDER




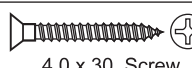
| | | |
|---|---|------------------|
| F |  | Qty 01 |
| C |  | Qty 10 |

11



F  Qty **01**
Allen Key

C  Qty **04**
7,0x50 Screw

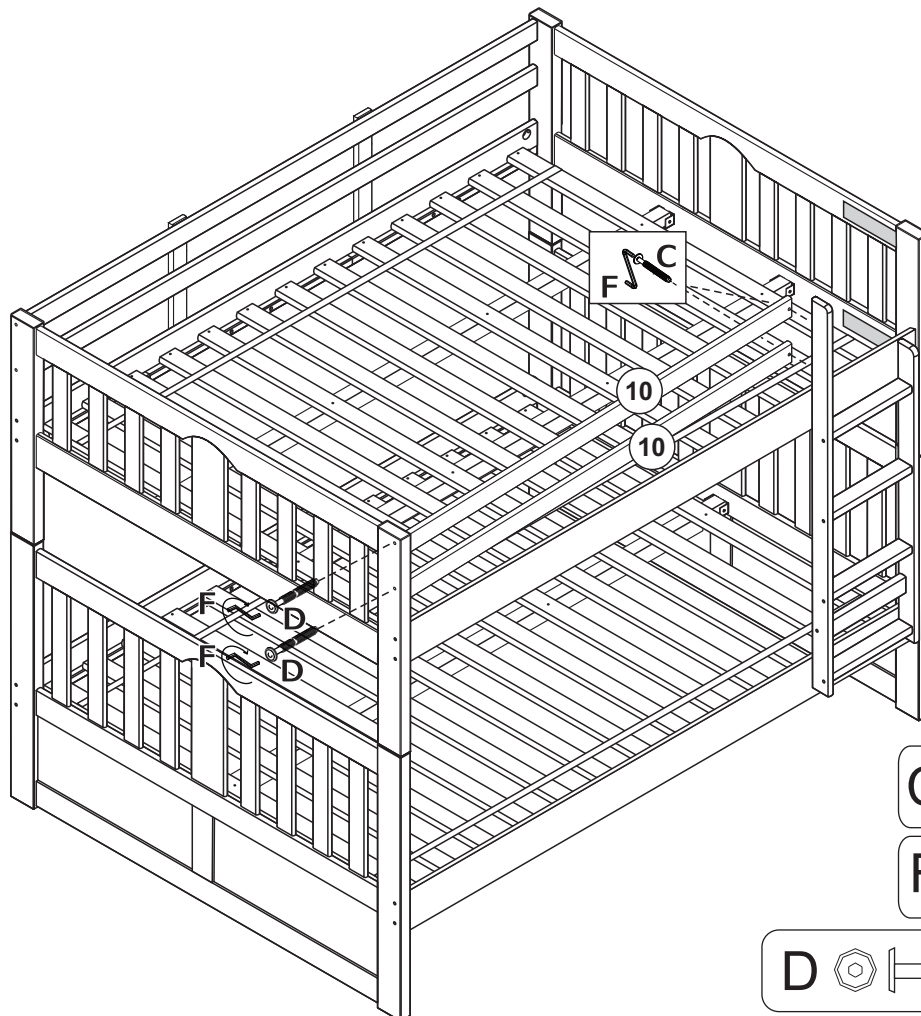
E  Qty **06**
4,0 x 30 Screw

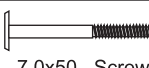
Tool Required



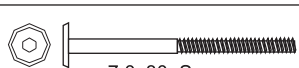
(Phillips Key)

12

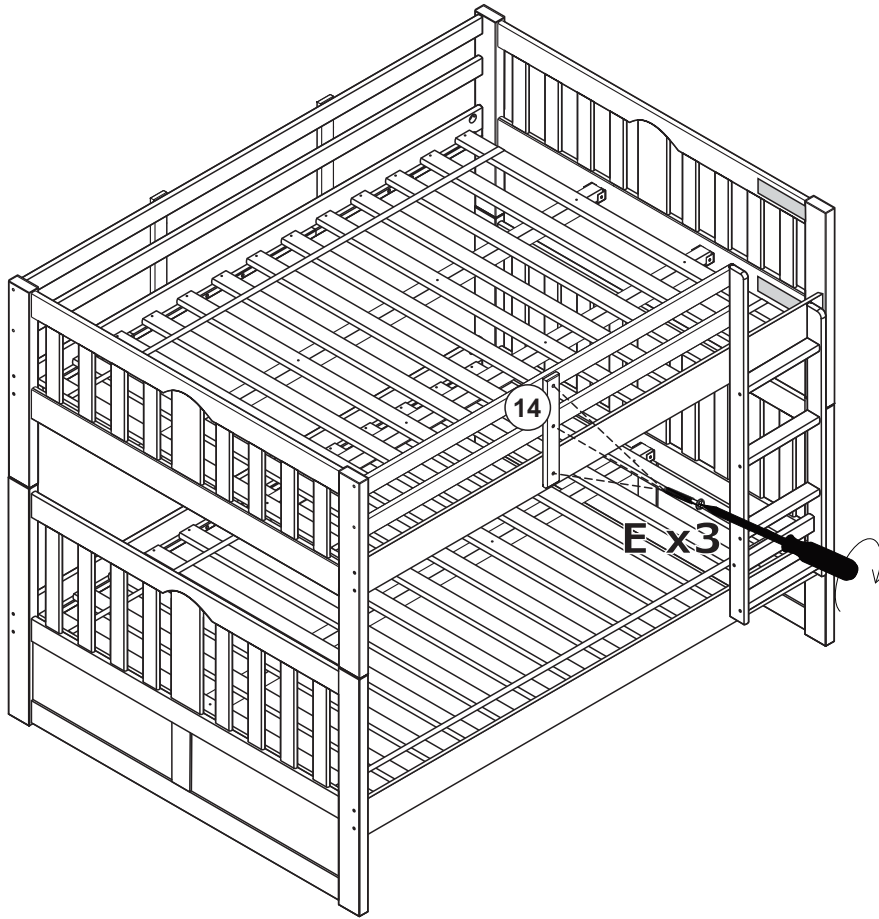


C  Qty **02**
7,0x50 Screw

F  Qty **01**
Allen Key

D  Qty **02**
7,0x80 Screw


13



Tool Required



(Phillips Key)

E  Qty **03**
4,0 x 30 Screw

14

