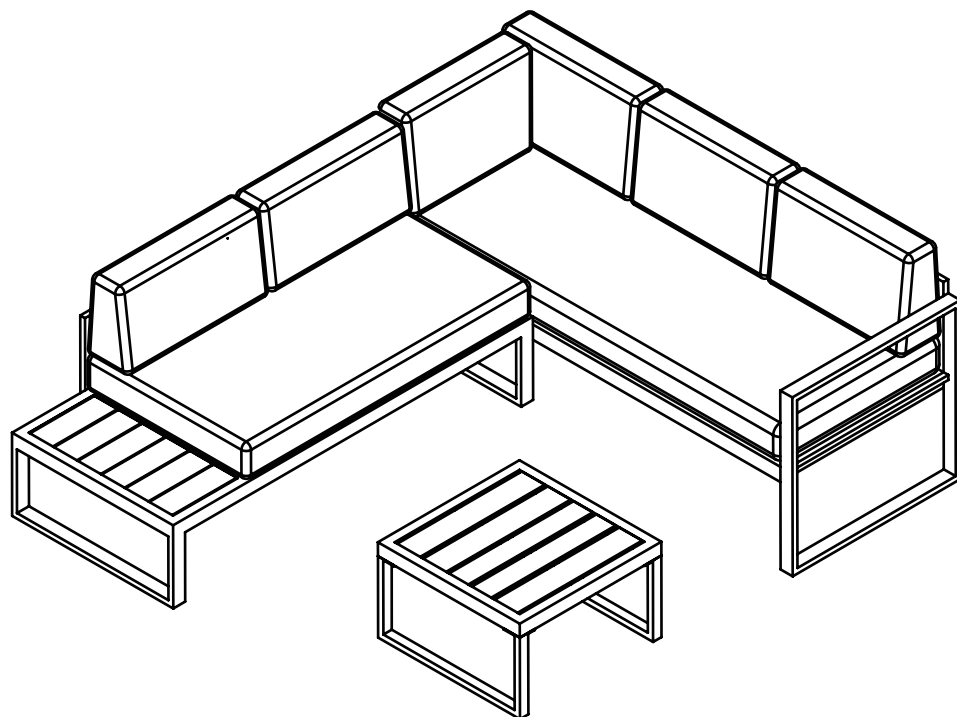


**INTERCHANGEABLE LOUNGE SET WHITE**  
**INTERCHANGEABLE LOUNGE SET GREY**

*Instruction manual*





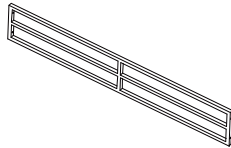
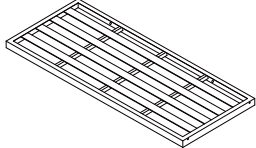
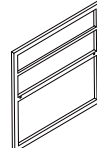
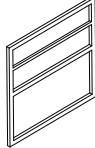
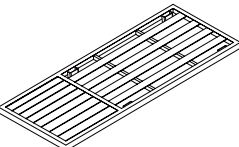
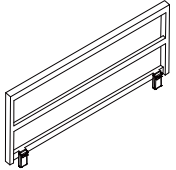
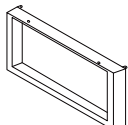
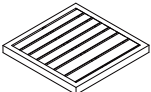
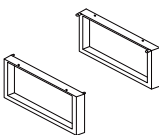
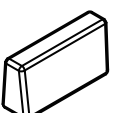
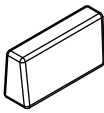
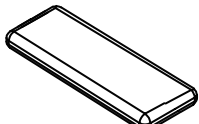
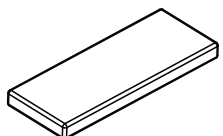
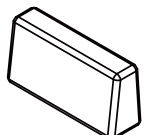


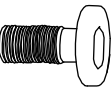


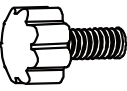
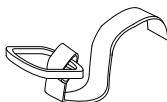
# SAFETY AND CARE ADVICE

PLEASE READ THESE INSTRUCTIONS CAREFULLY AND KEEP FOR FUTURE

- Check you have all the components and tools listed on pages 1&2.
- Remove all fittings from the plastic bags and separate them into their groups.
- Keep children and animals away from the work area, small parts could choke if swallowed.
- Make sure you have enough space to layout the parts before starting.
- Do not stand or put weight on the product, this could cause damage.
- Assemble on a soft level surface to avoid damaging the unit or your floor (use opened out unit carton).
- We do not recommend the use of power drill/drivers for inserting screws, as this could damage the unit. Only use hand screwdrivers.

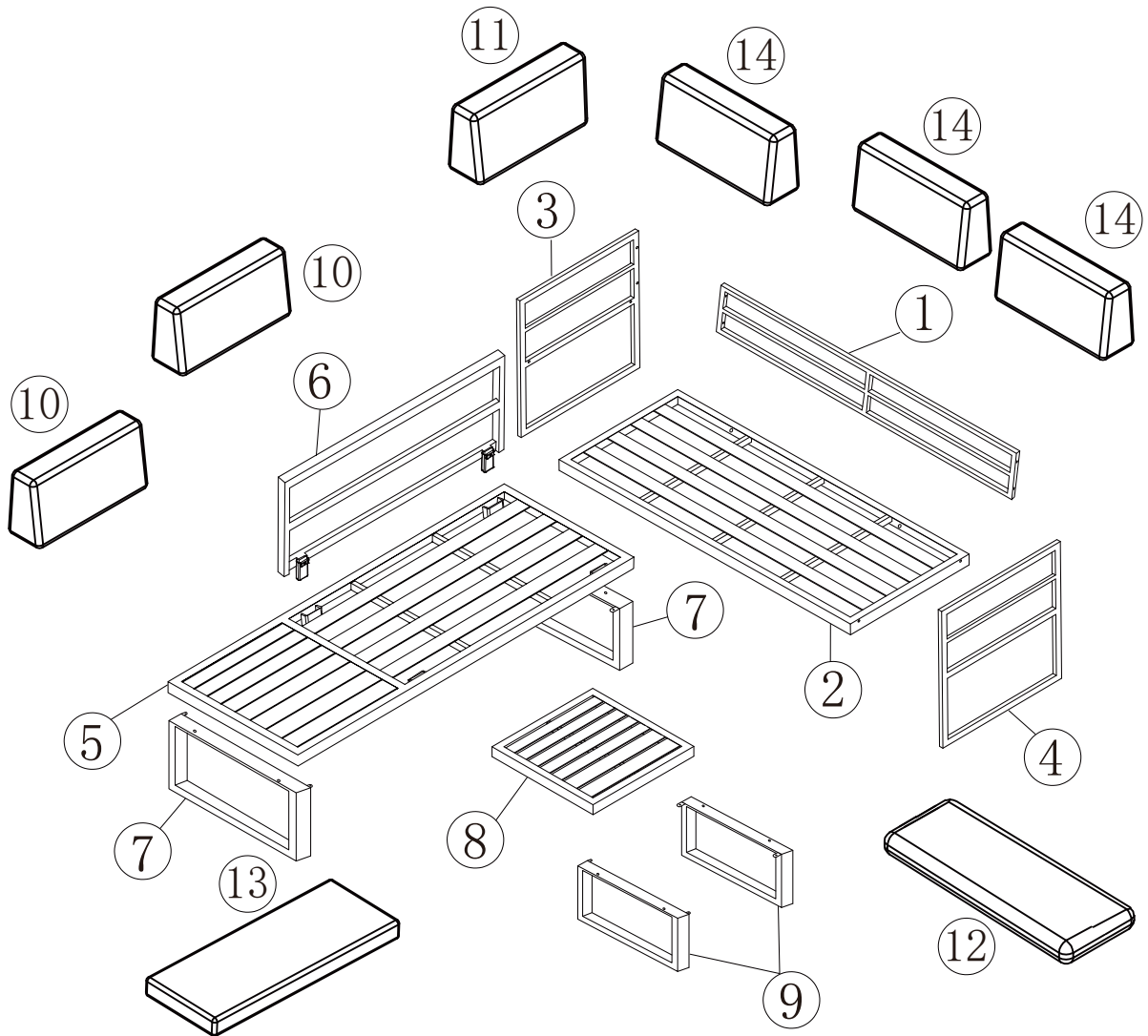


# COMPONENTS

1  x1	2  x1	3  x1	4  x1
5  x1	6  x1	7  x2	8  x1
9  x1	10  x2	11  x1	12  x1
13  x1	14  x3	A  M6x20mm X16	B  M6x35mm X8
C  M6x65mm X4	D  x28	E  x1	F  x12
G  x2			




# COMPONENTS

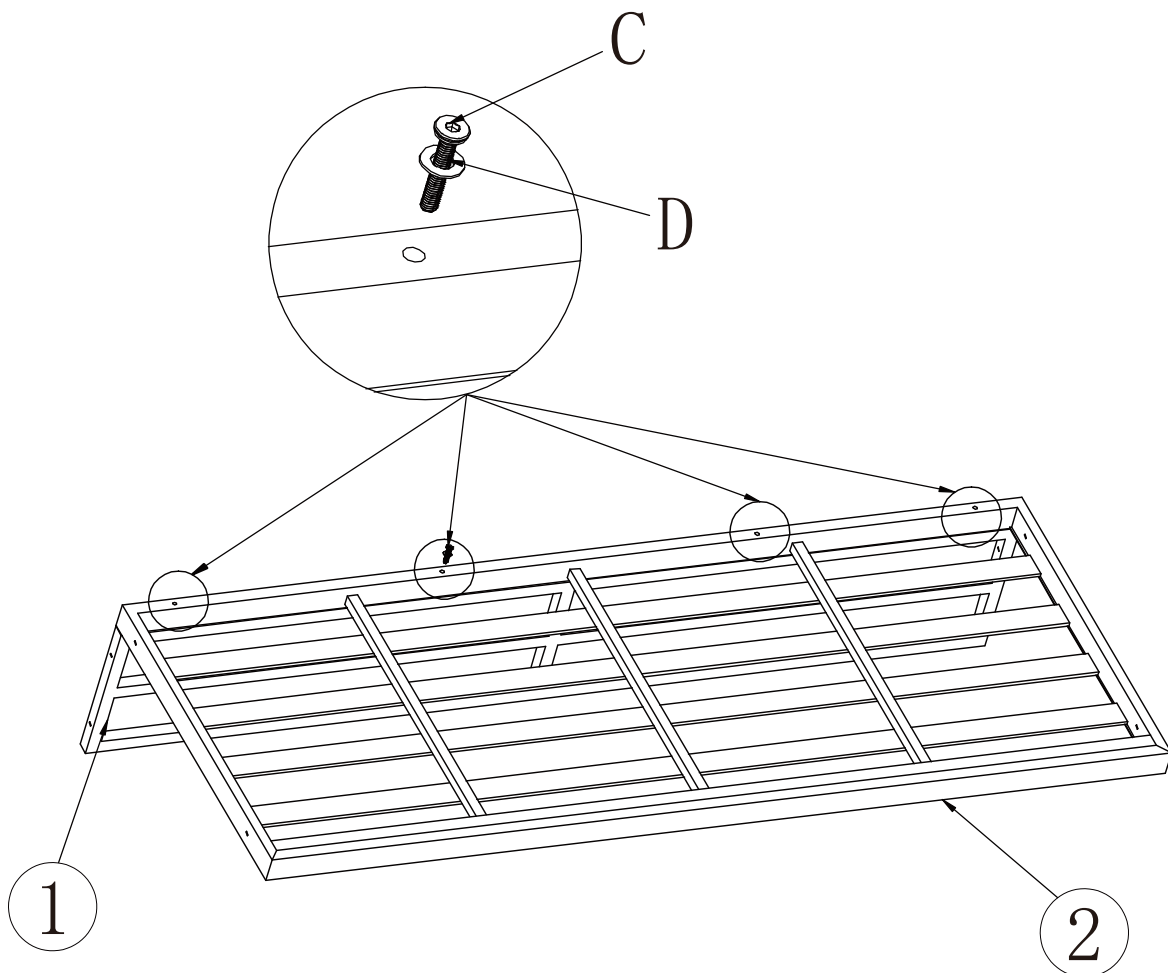
---



# ASSEMBLY INSTRUCTIONS




step1

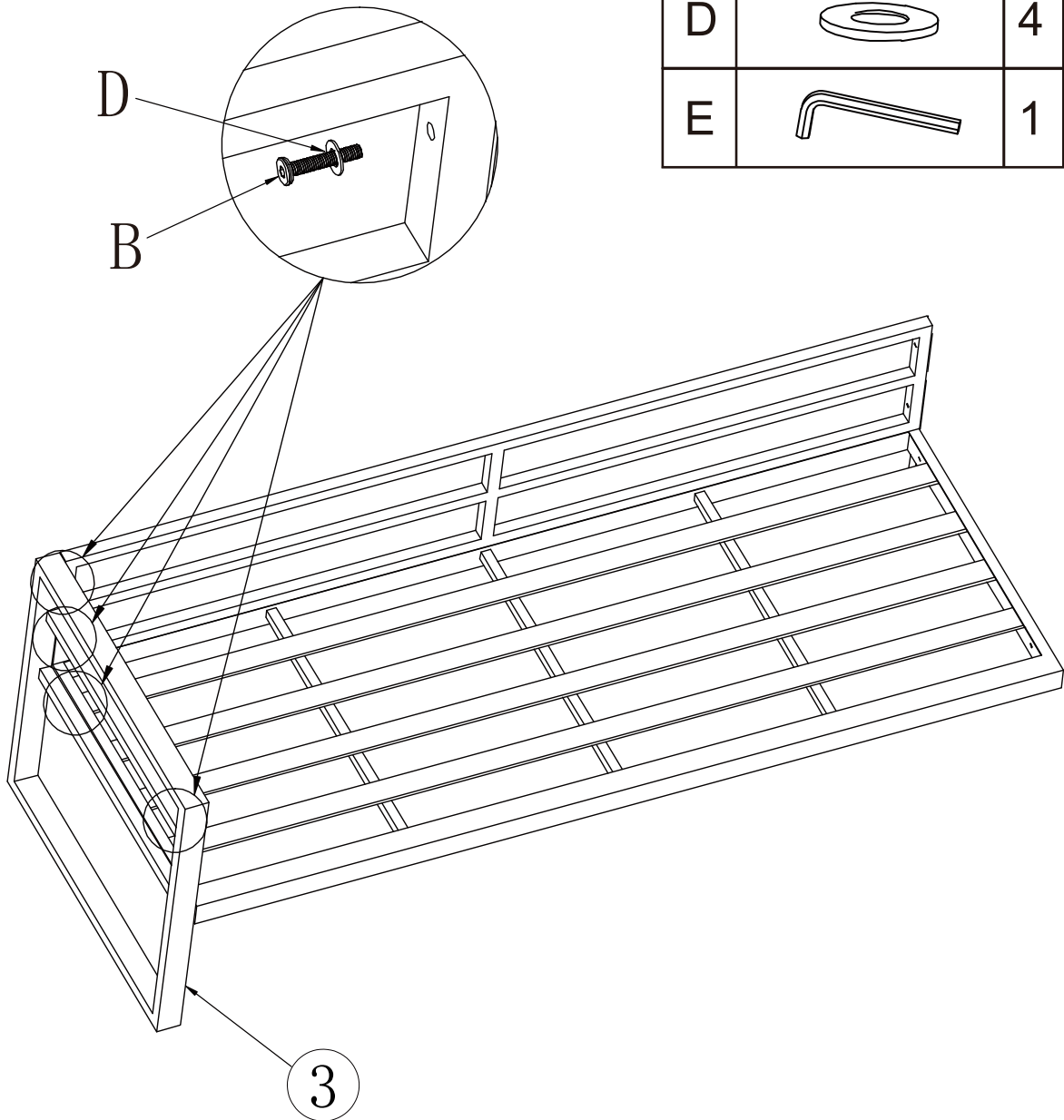
C	 M6X65	4
D		4
E		1



# ASSEMBLY INSTRUCTIONS




step2

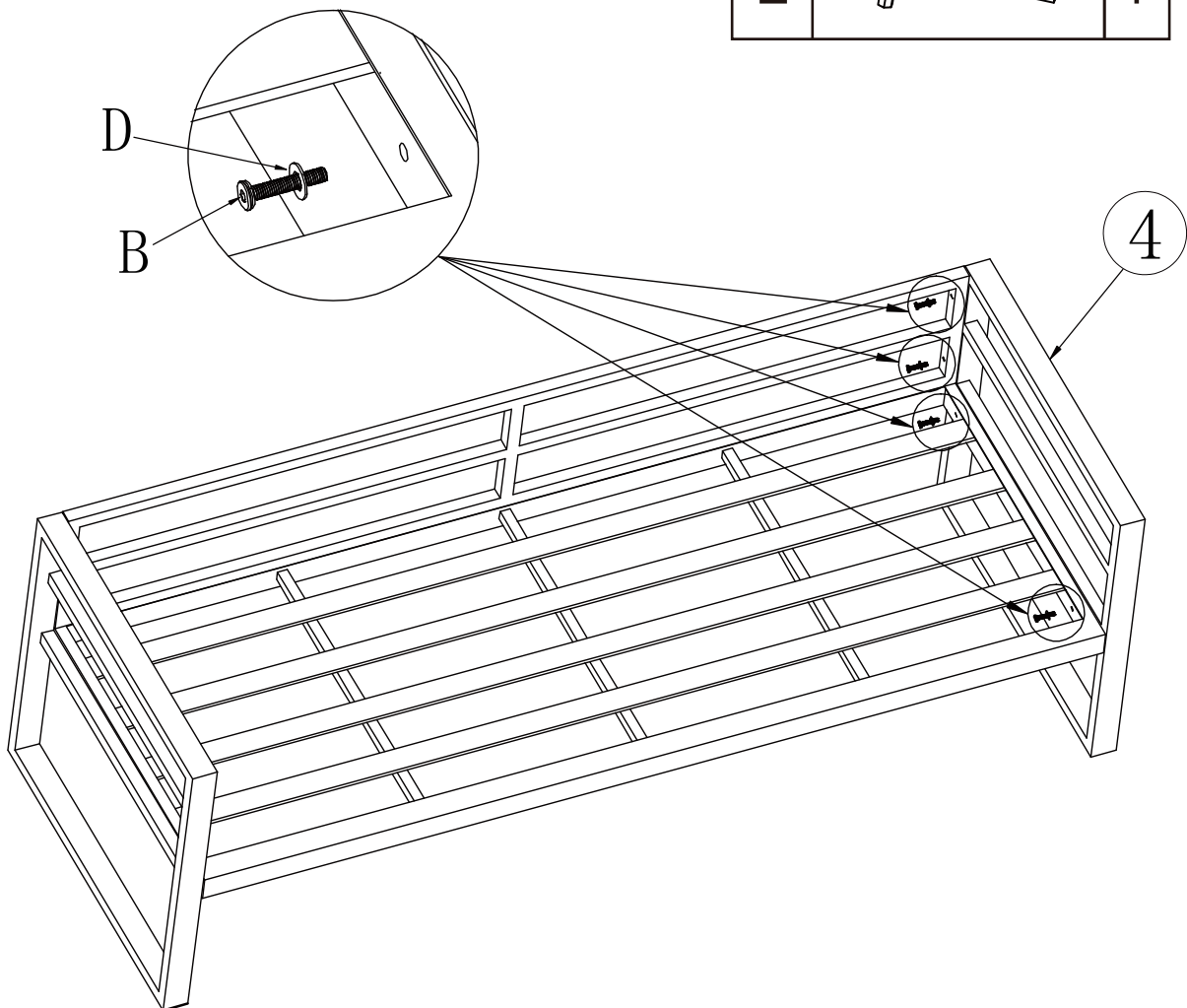
B	 M6x35	4
D		4
E		1



# ASSEMBLY INSTRUCTIONS




step3

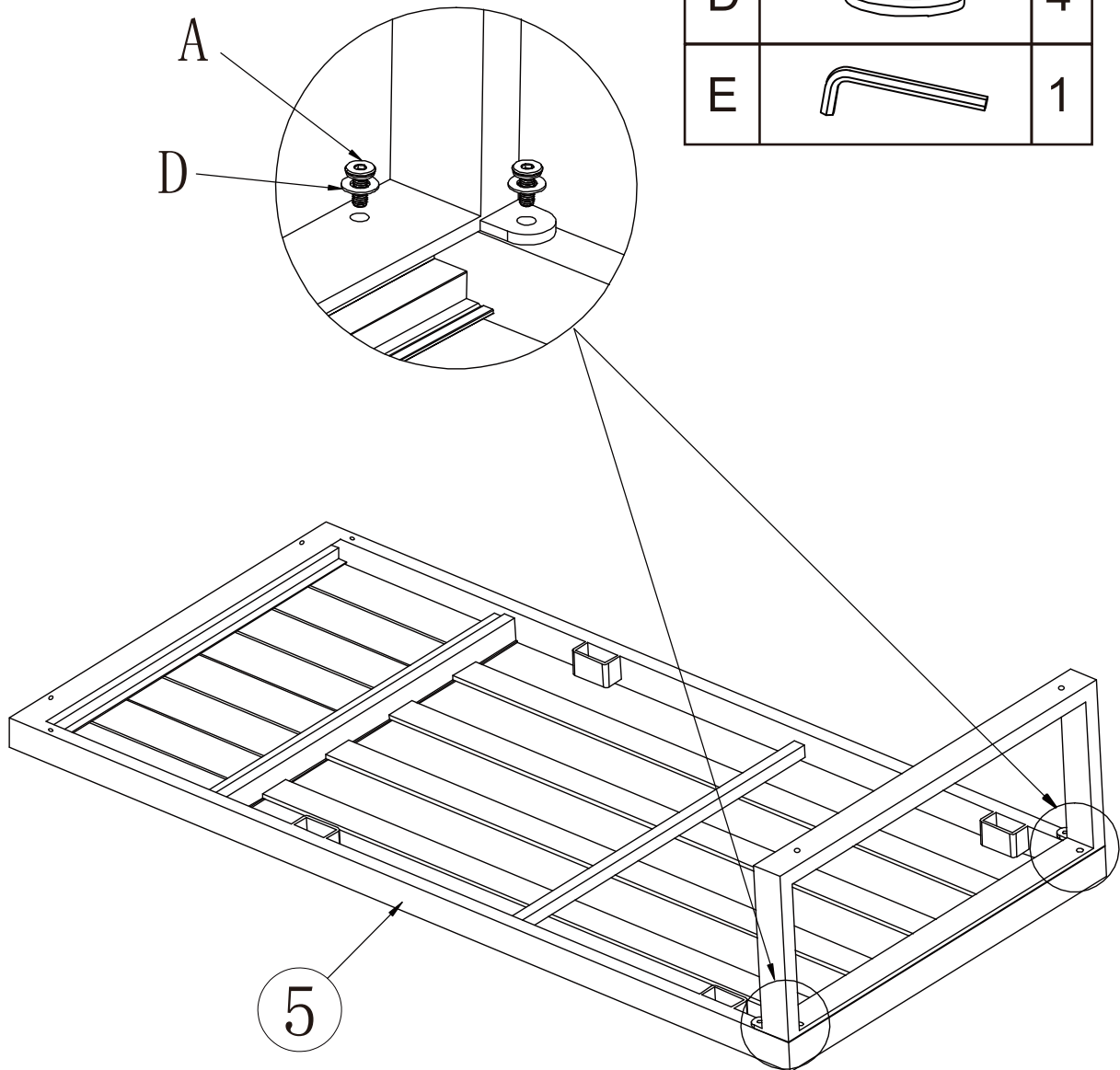
B	 M6x35	4
D		4
E		1



# ASSEMBLY INSTRUCTIONS




step4

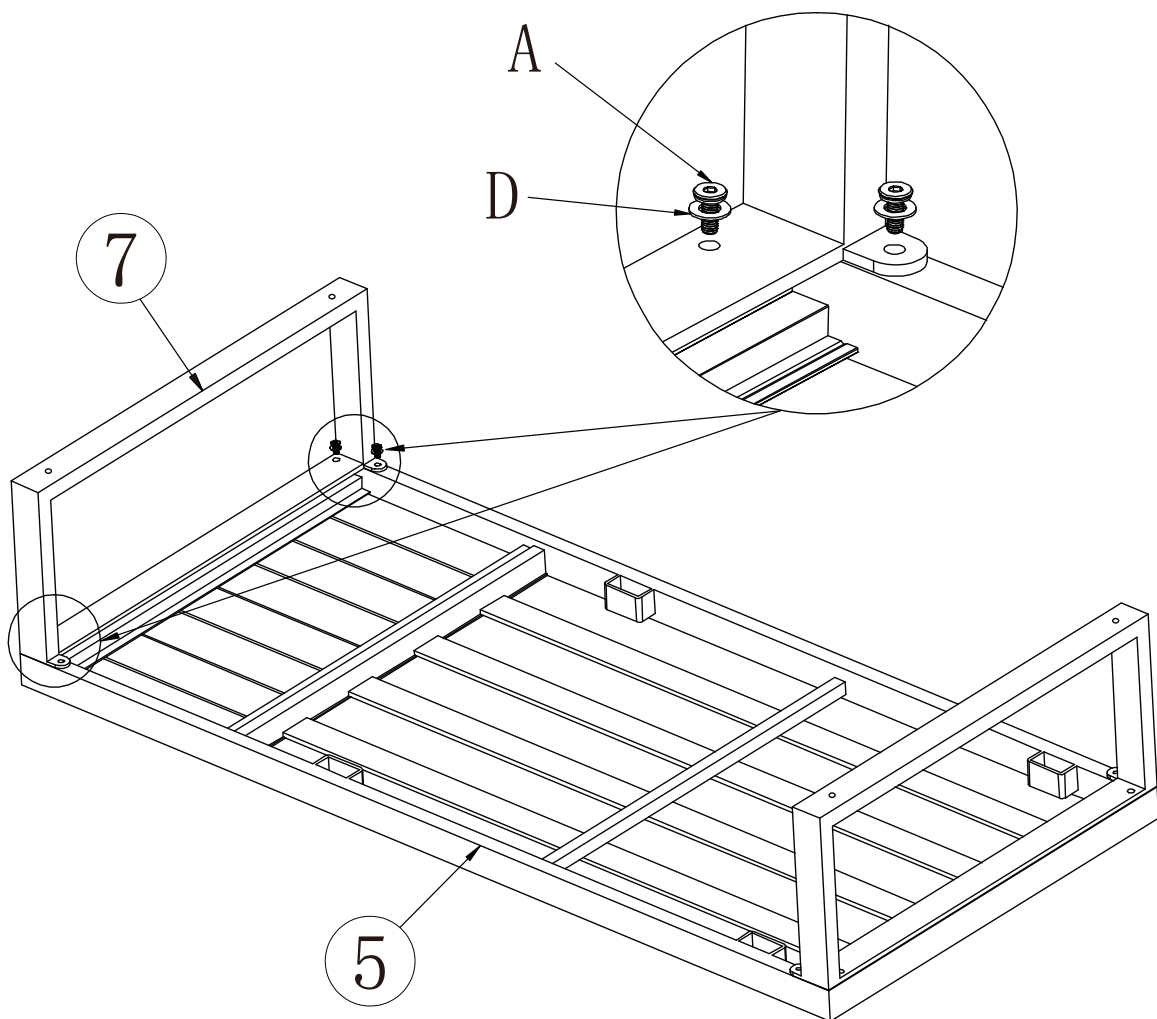
A	 M6x20	4
D		4
E		1



# ASSEMBLY INSTRUCTIONS

step5

A	 M6x20	4
D		4
E		1

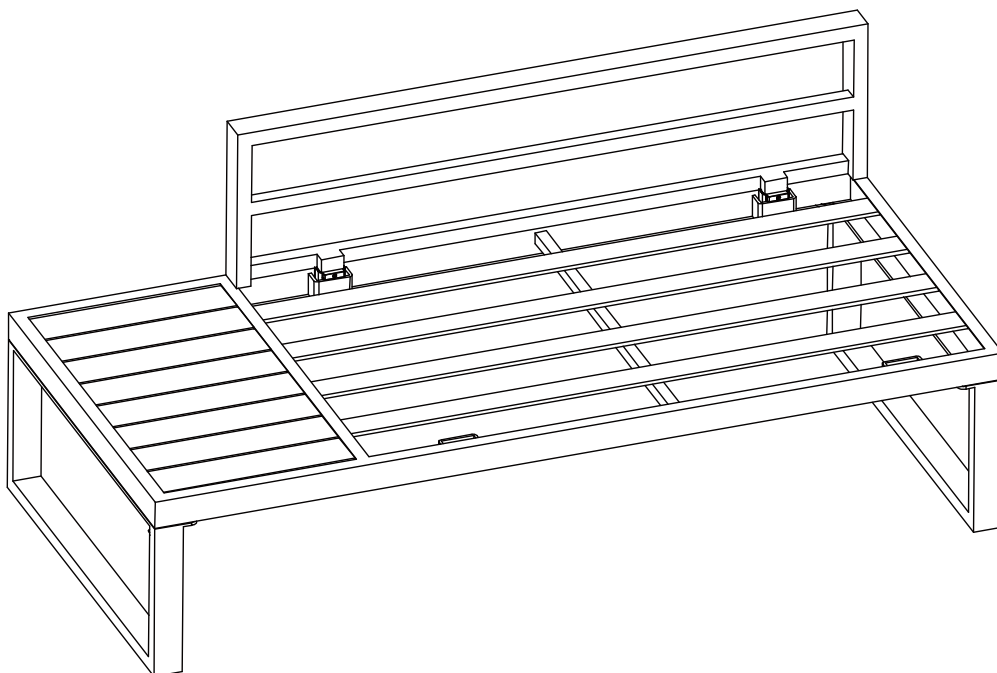
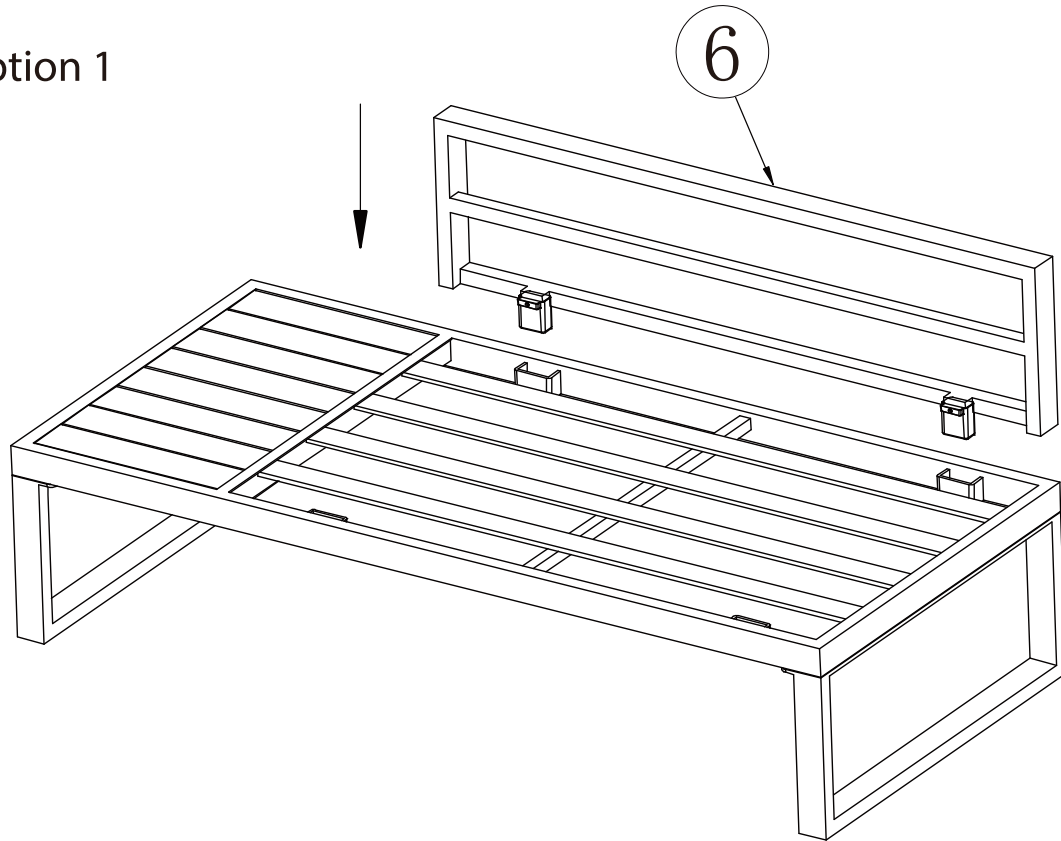


# ASSEMBLY INSTRUCTIONS

---

step6

Option 1

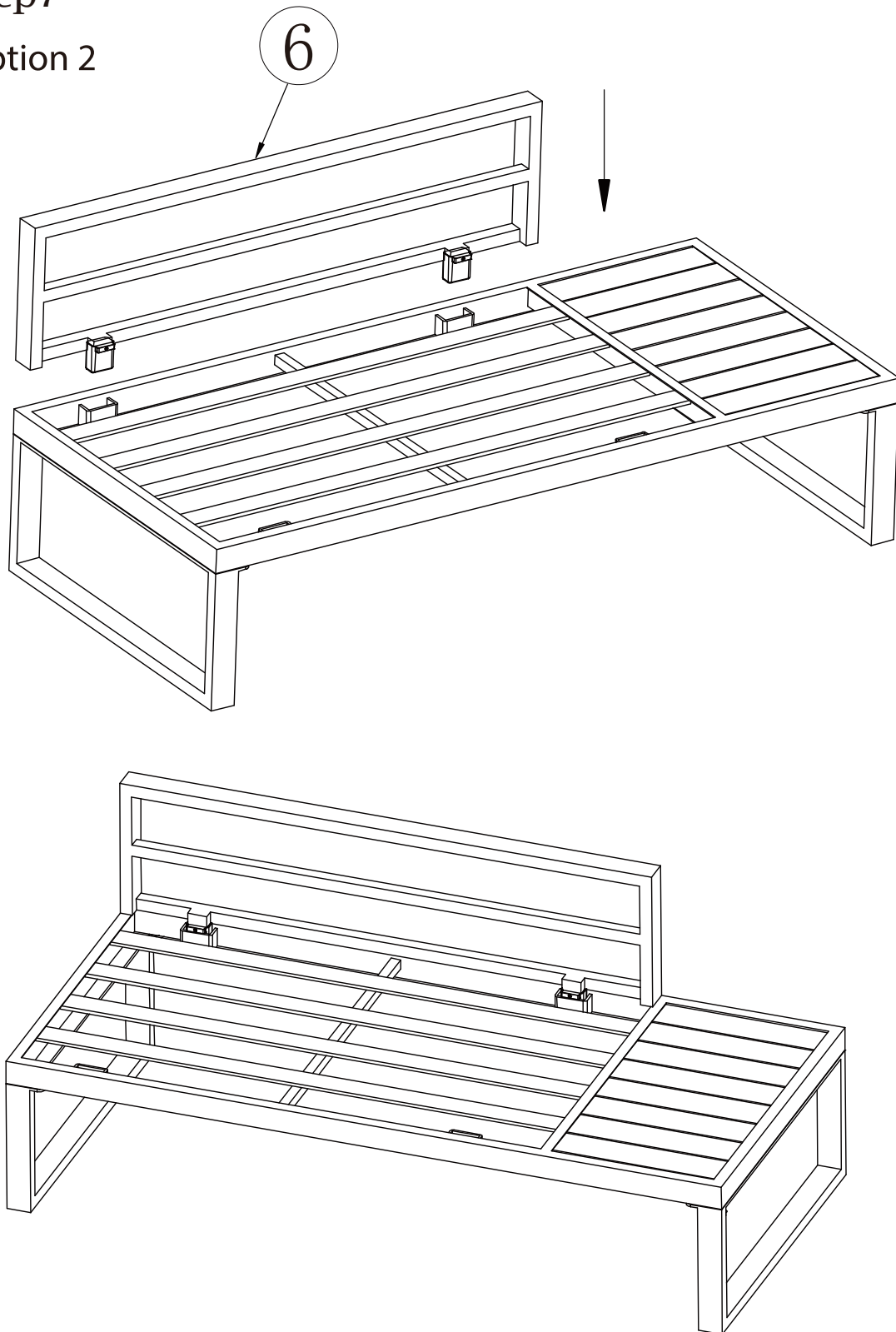


# ASSEMBLY INSTRUCTIONS

---




step7

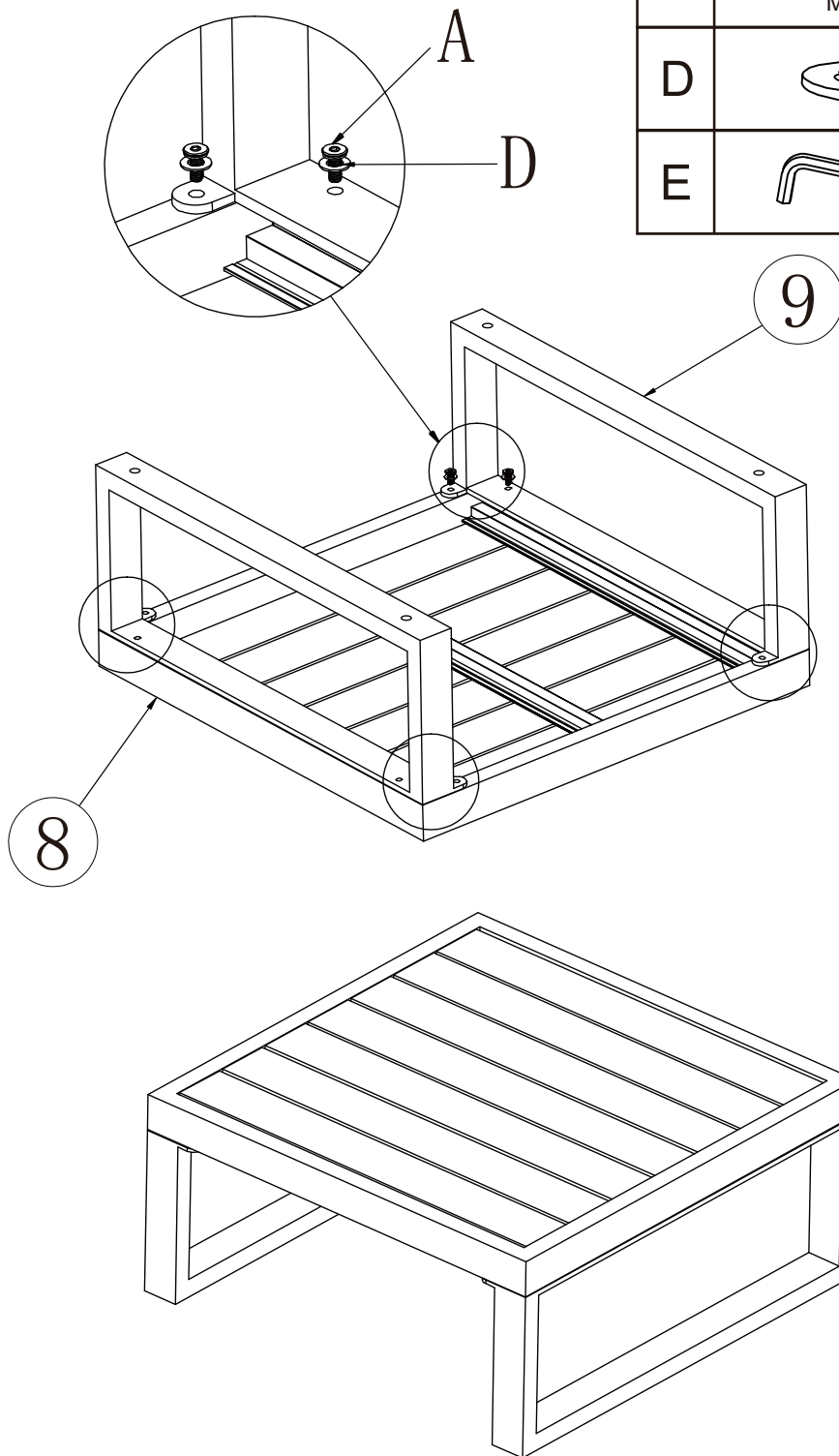
Option 2



# ASSEMBLY INSTRUCTIONS

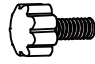
step8

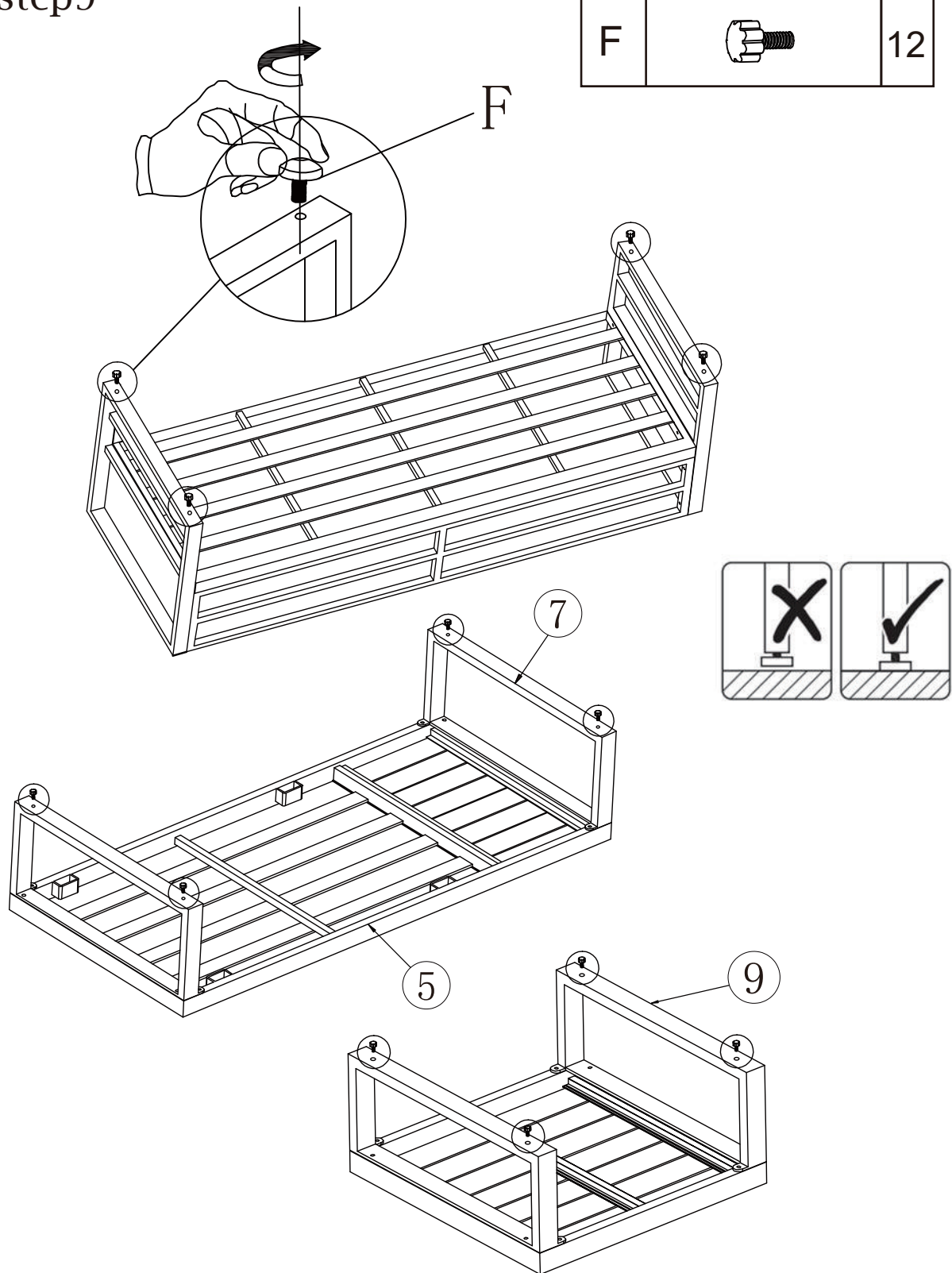
A	 M6x20	8
D		8
E		1



# ASSEMBLY INSTRUCTIONS

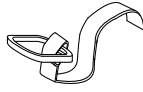
step9

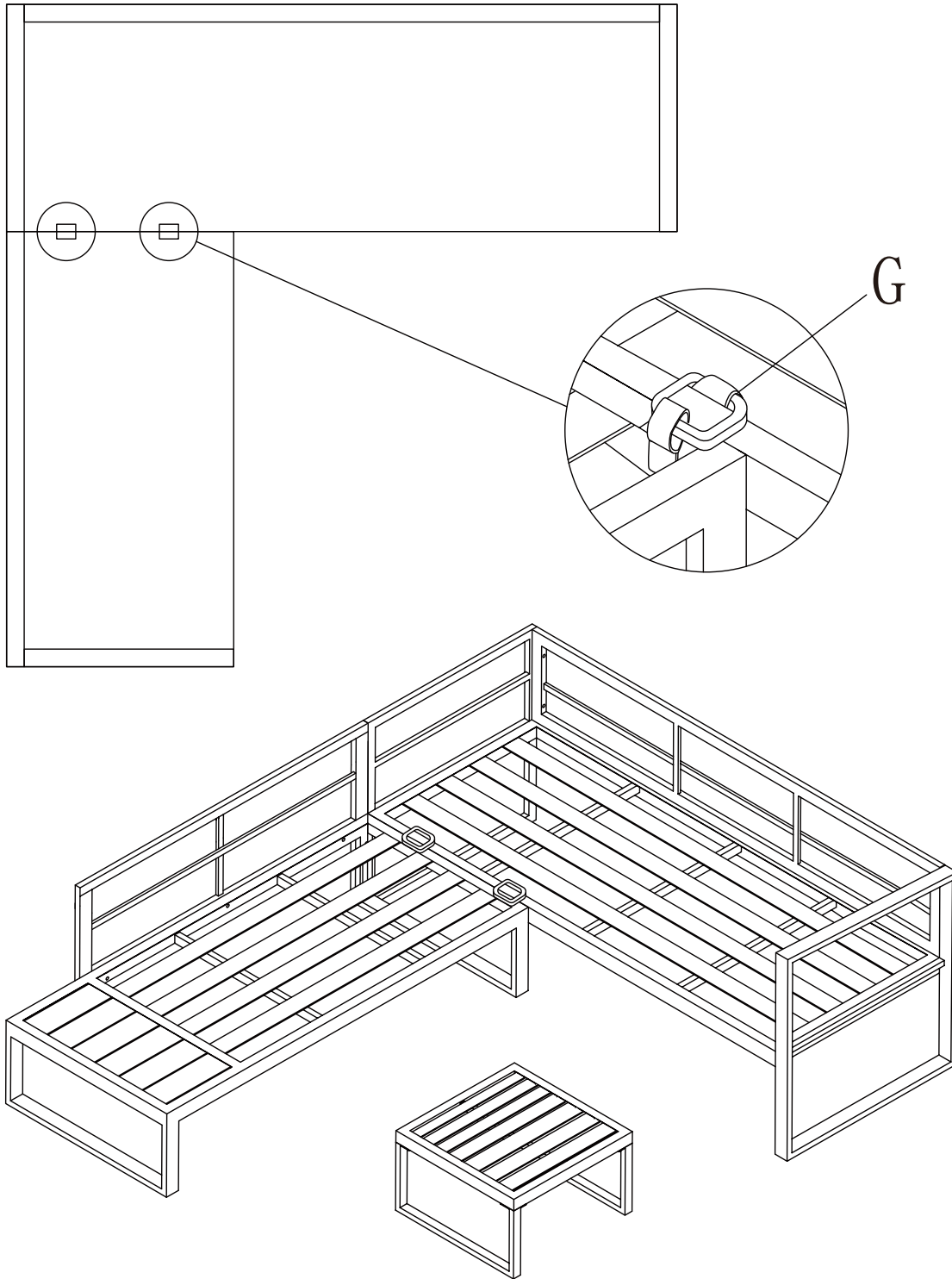
F		12
---	---	----



# ASSEMBLY INSTRUCTIONS

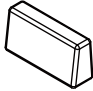
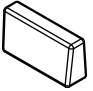
step10


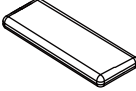
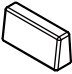
G		2
---	---	---



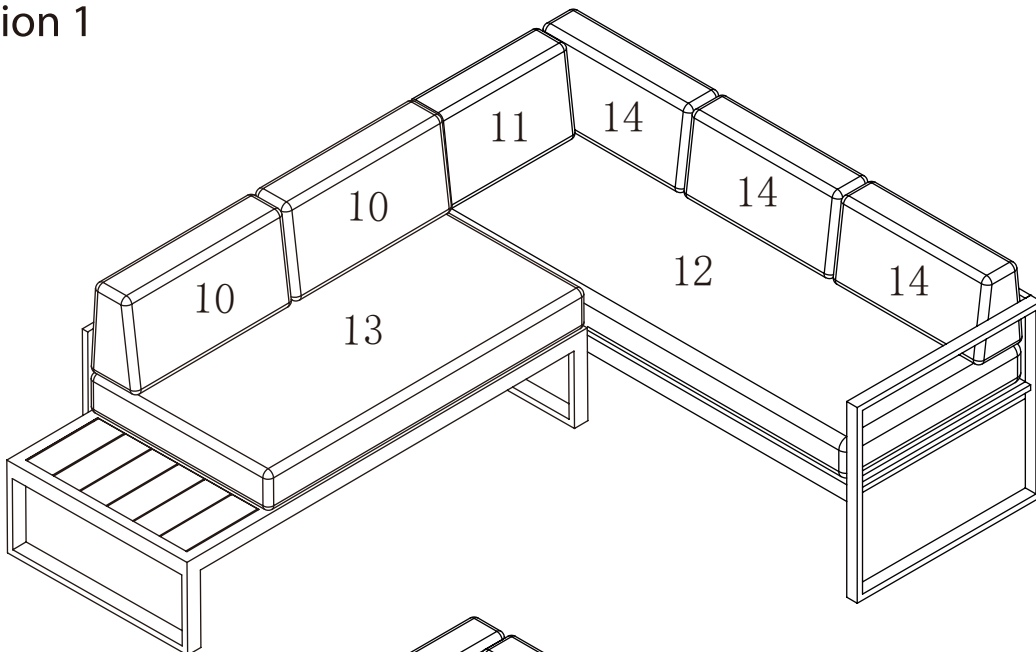
# ASSEMBLY INSTRUCTIONS

step11

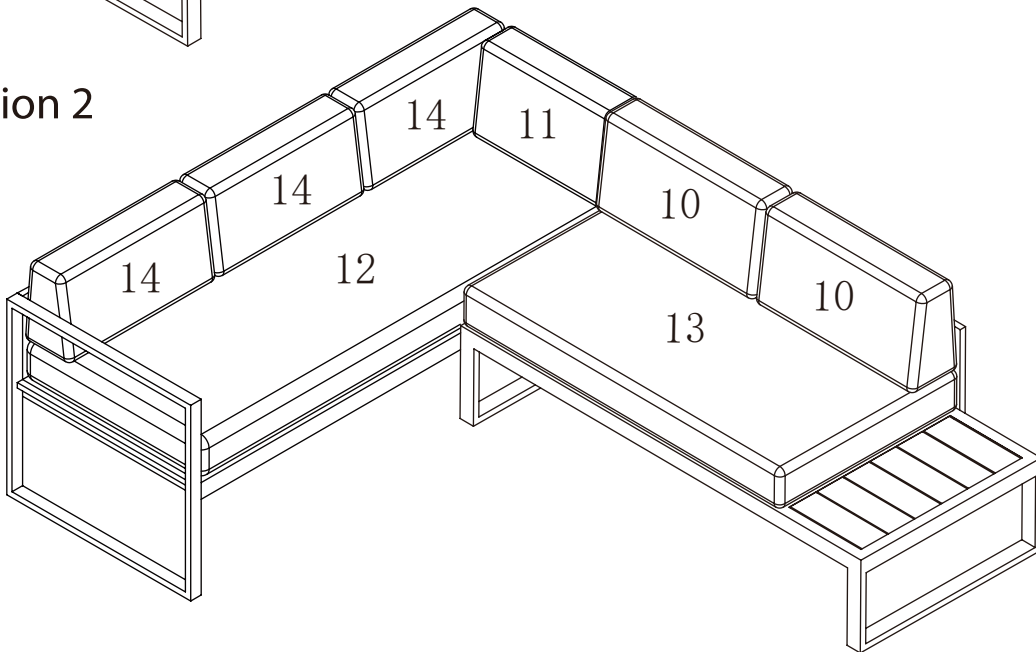
10		2
11		1

12		1
13		1
14		3

Option 1

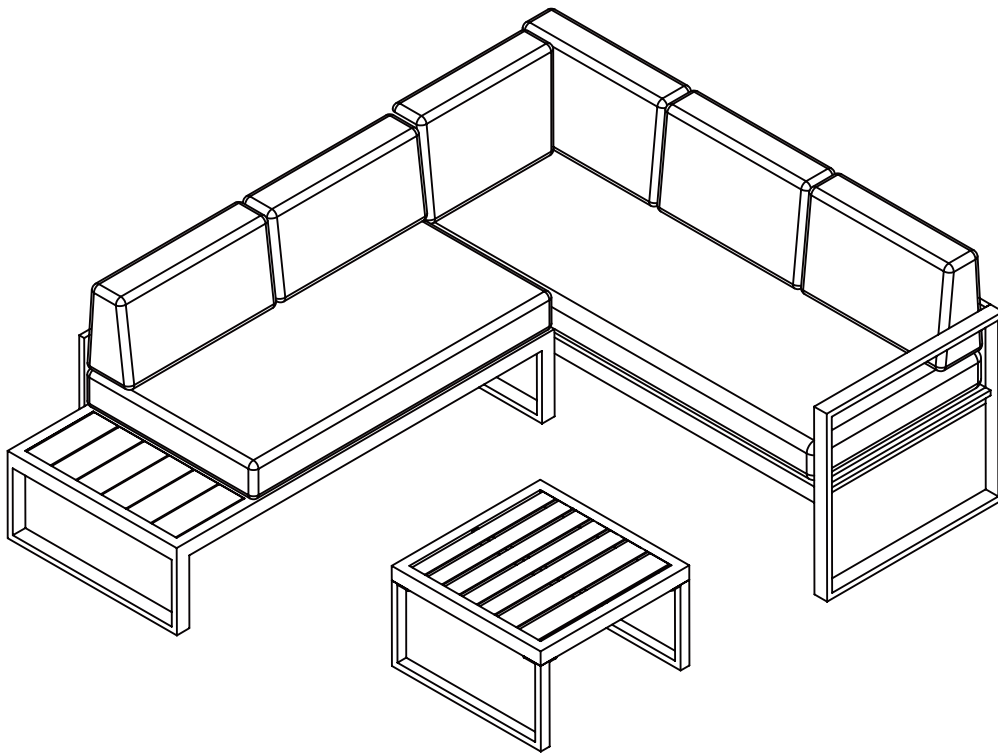


Option 2



# ASSEMBLY INSTRUCTIONS

---



*Congratulations!  
Now you have finished assembling the product.*