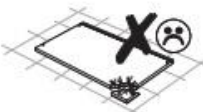
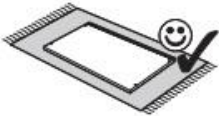
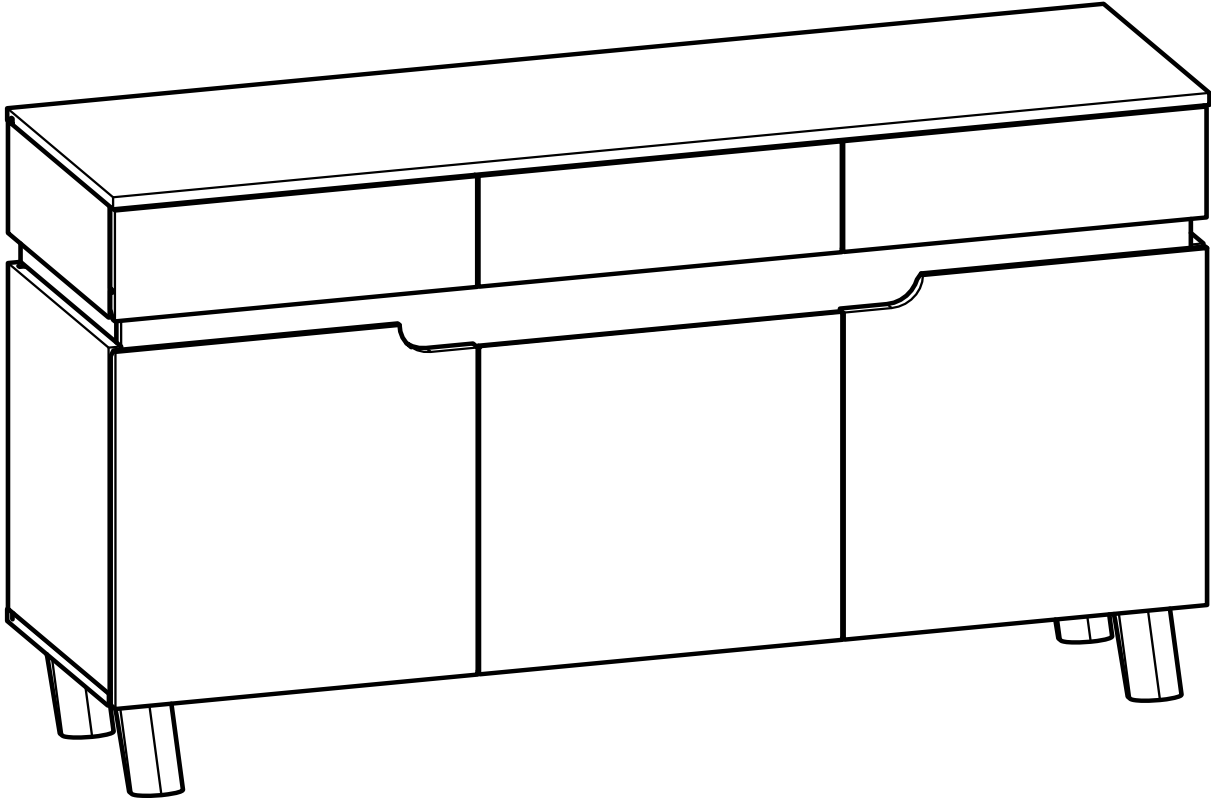
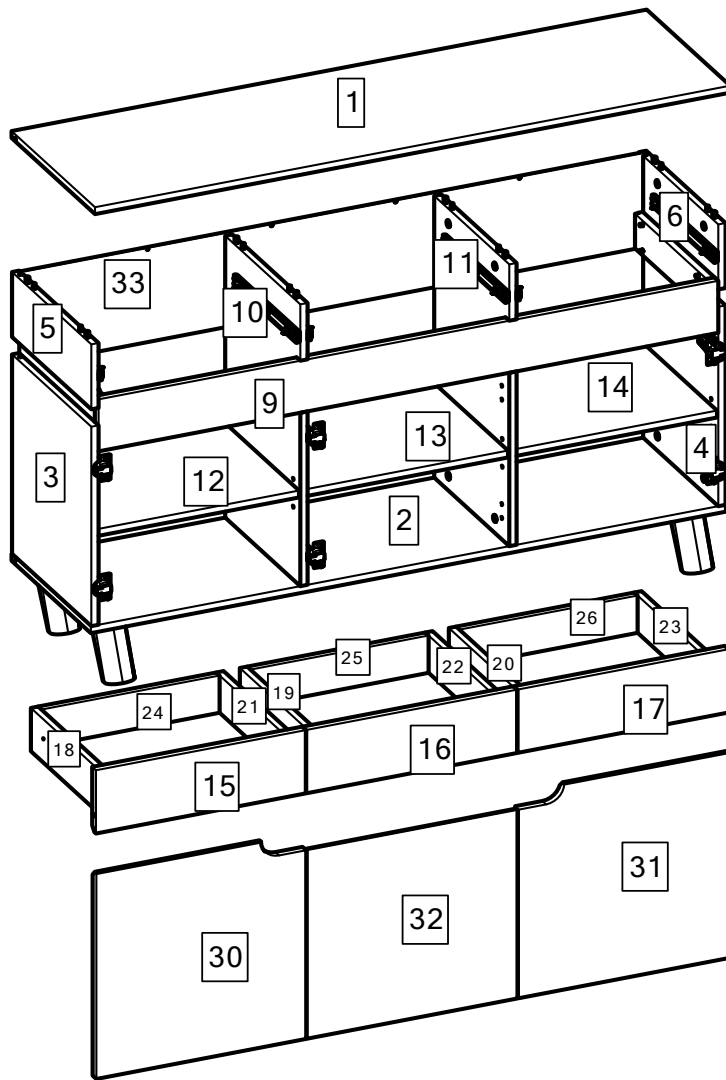


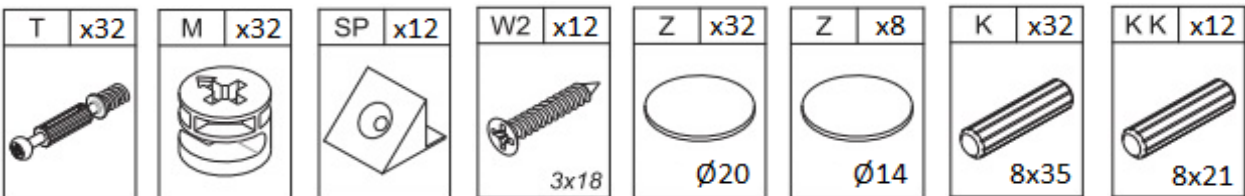
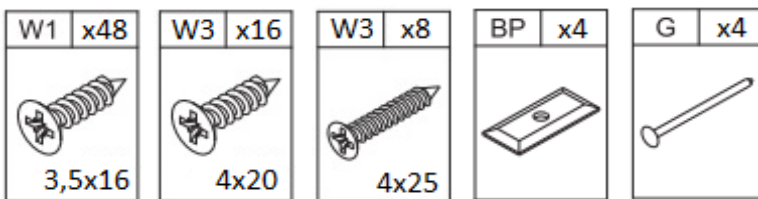
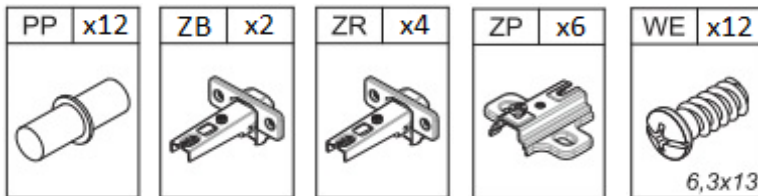
SMILE SIDEBOARD



SMILE SIDEBOARD

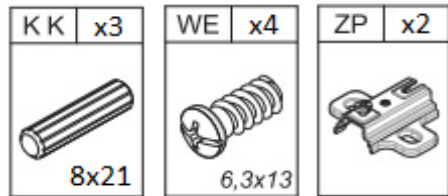
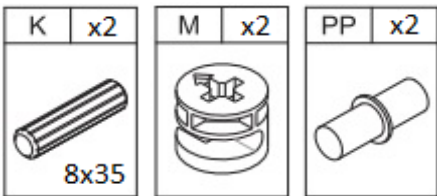
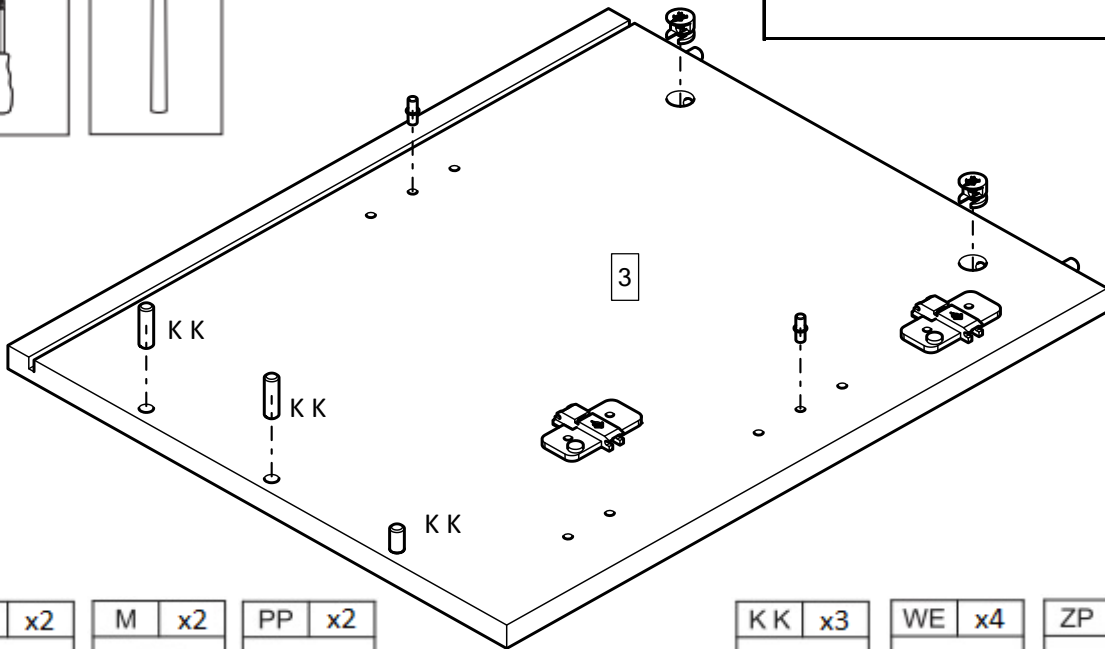
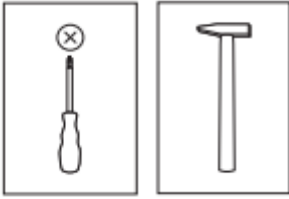


No	L (mm)	W (mm)	qnt
1	1401	402	1
2	1401	382	1
3	460	382	1
4	460	382	1
5	382	150	1
6	382	150	1
7	364	80	1
8	364	80	1
9	1367	120	1
10	650	362	1
11	650	362	1
12	444	357	1
13	444	357	1
14	444	357	1
15	463	146	1
16	463	146	1
17	463	146	1
18	348	100	1
19	348	100	1
20	348	100	1
21	348	100	1
22	348	100	1
23	348	100	1
24	393	100	1
25	393	100	1
26	393	100	1
27	407	346	1
28	407	346	1
29	407	346	1
30	475	463	1
31	475	463	1
32	463	435	1
33	1381	218	1
34	1381	446	1

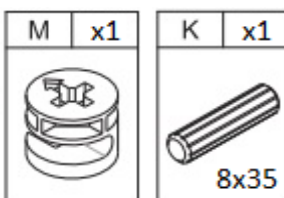
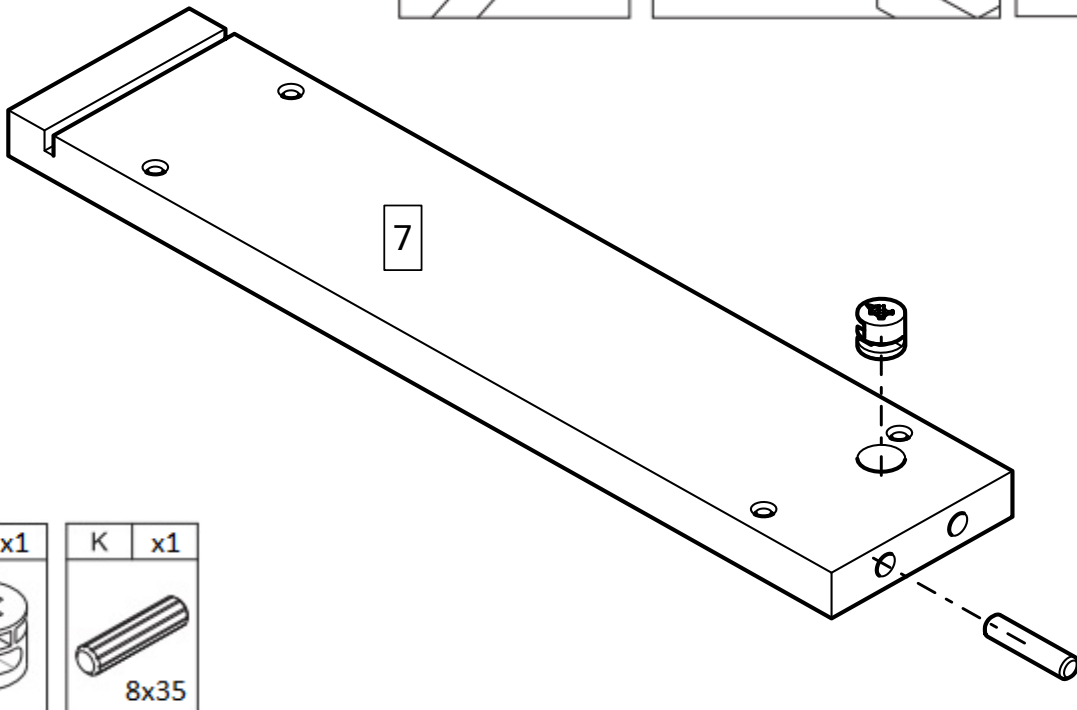
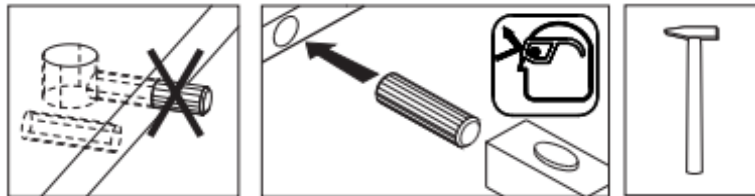


SMILE SIDEBOARD

STEP 1

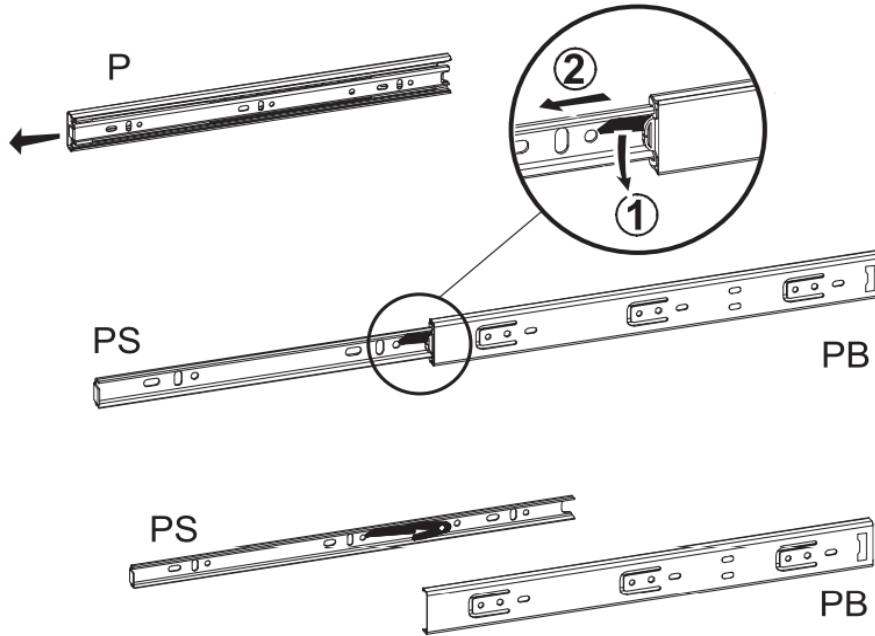


STEP 2

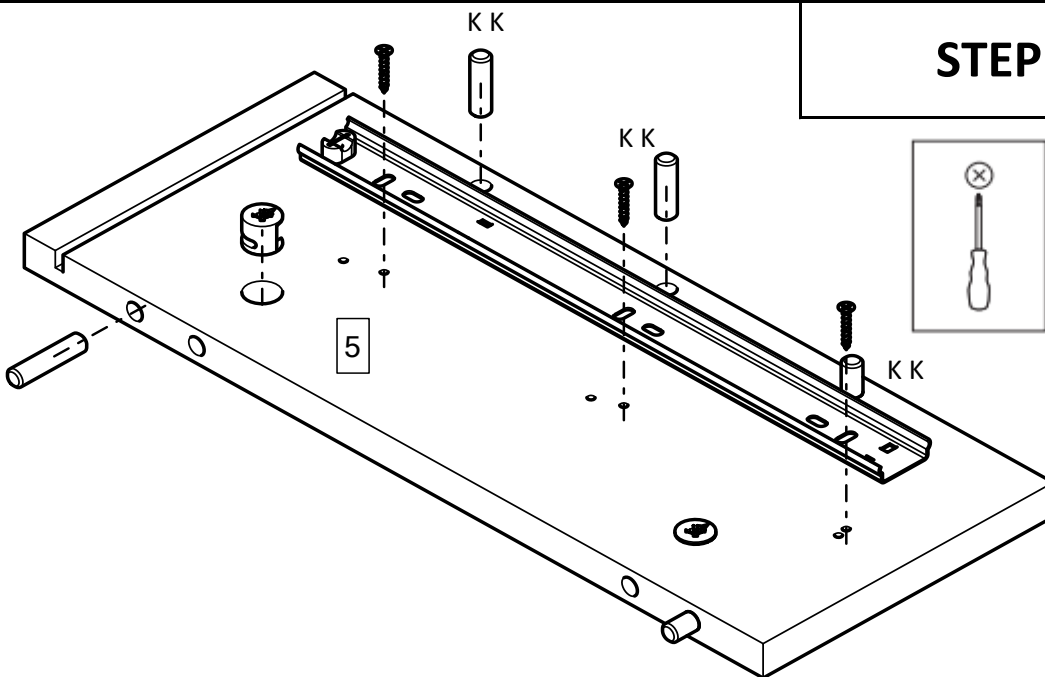


SMILE SIDEBOARD

STEP 3



STEP 4



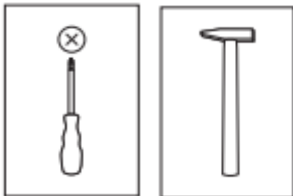
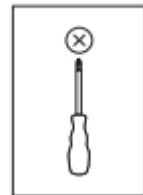
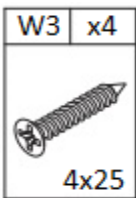
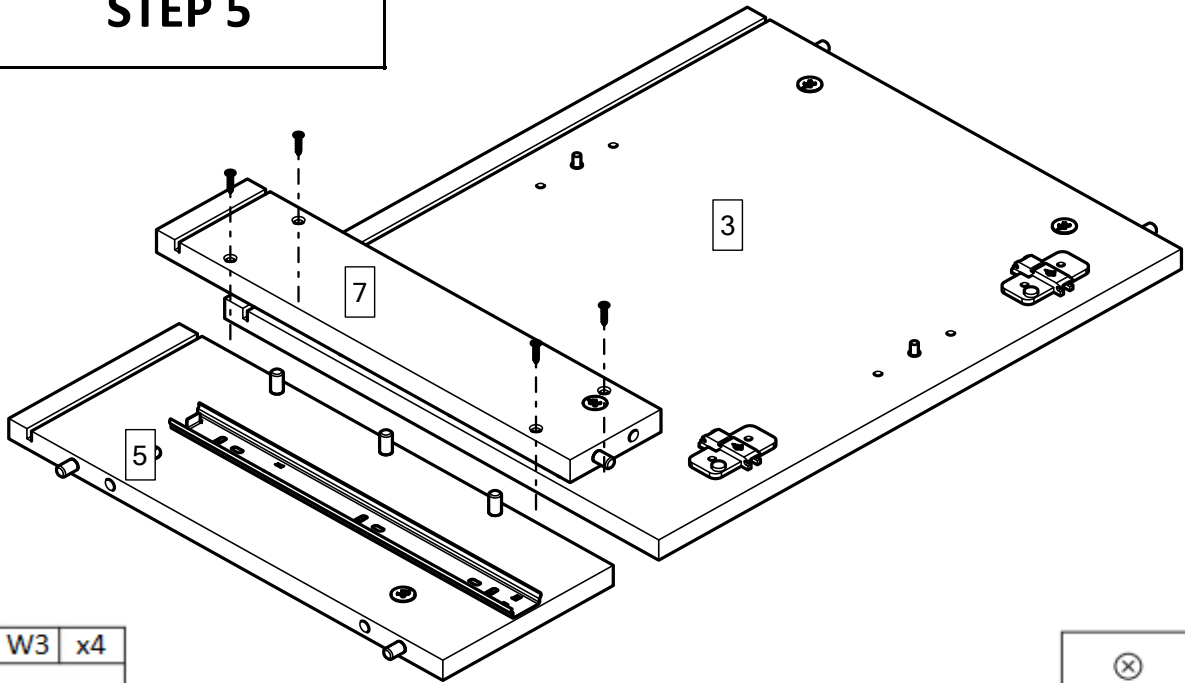
KK	x3	M	x2	K	x2
8x21				8x35	

W1	x3
3,5x16	

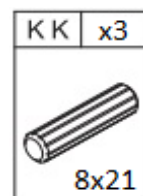
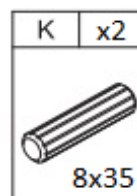
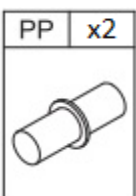
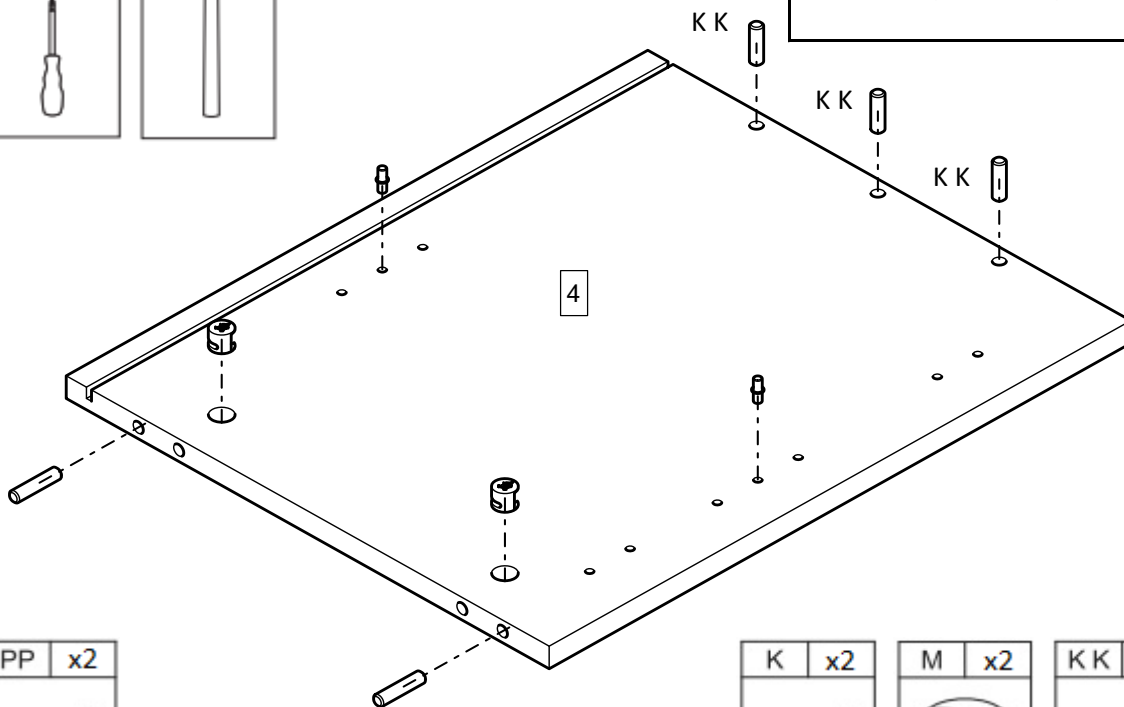
P	x1
	(PB+PS)

SMILE SIDEBOARD

STEP 5

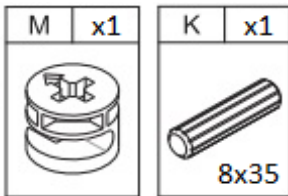
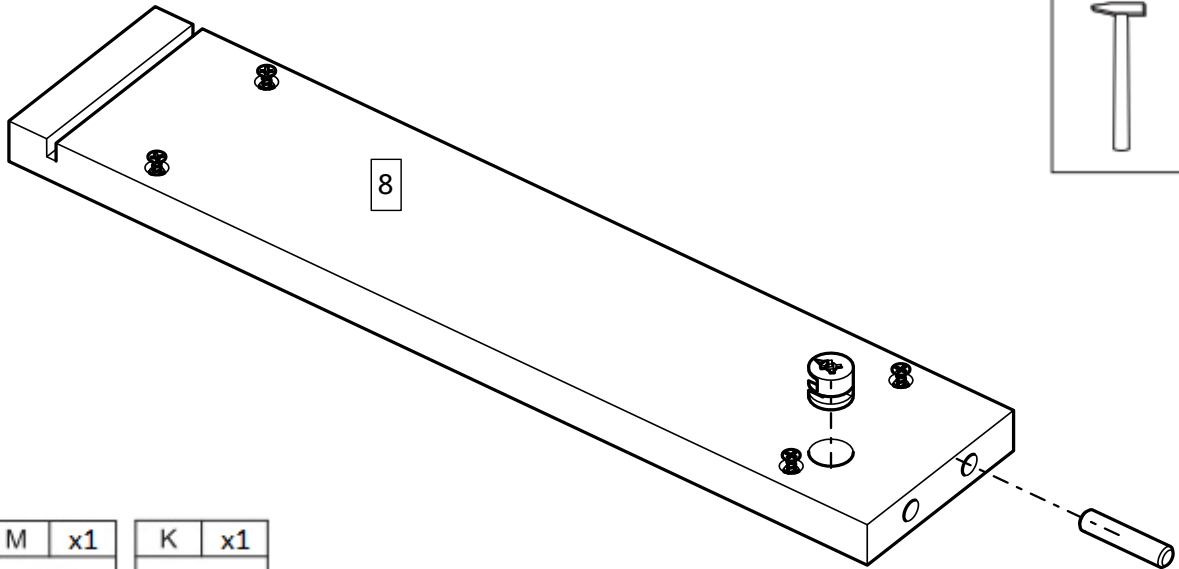


STEP 6

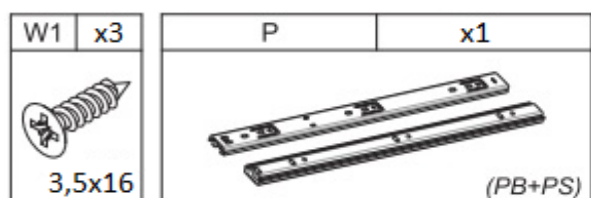
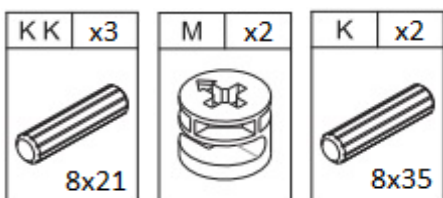
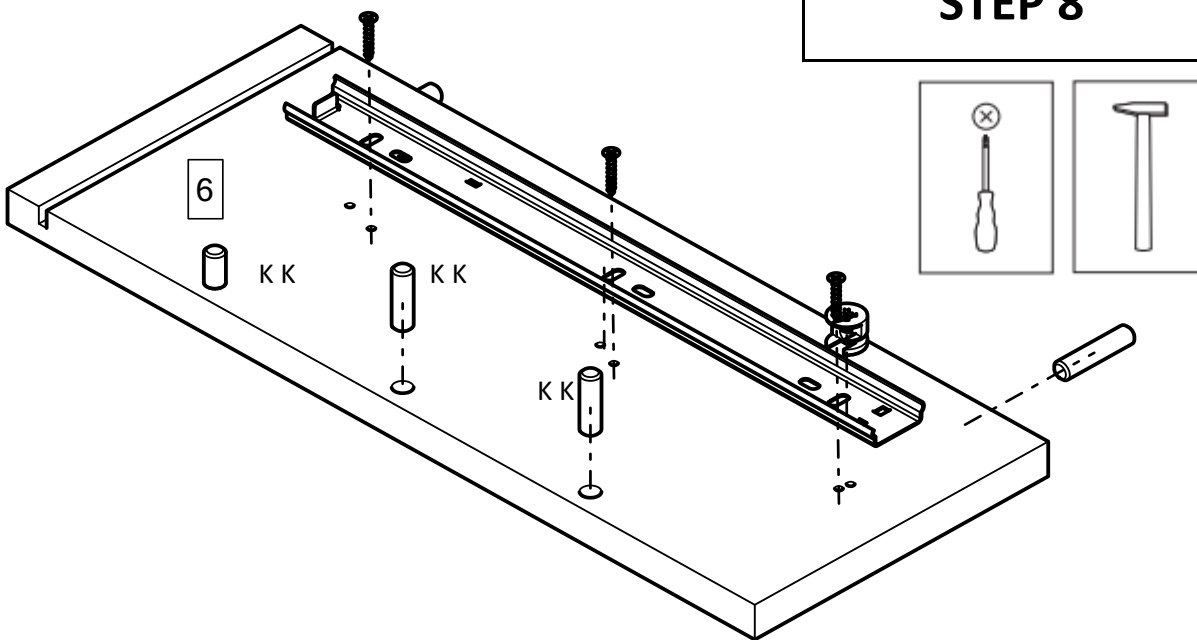


SMILE SIDEBOARD

STEP 7

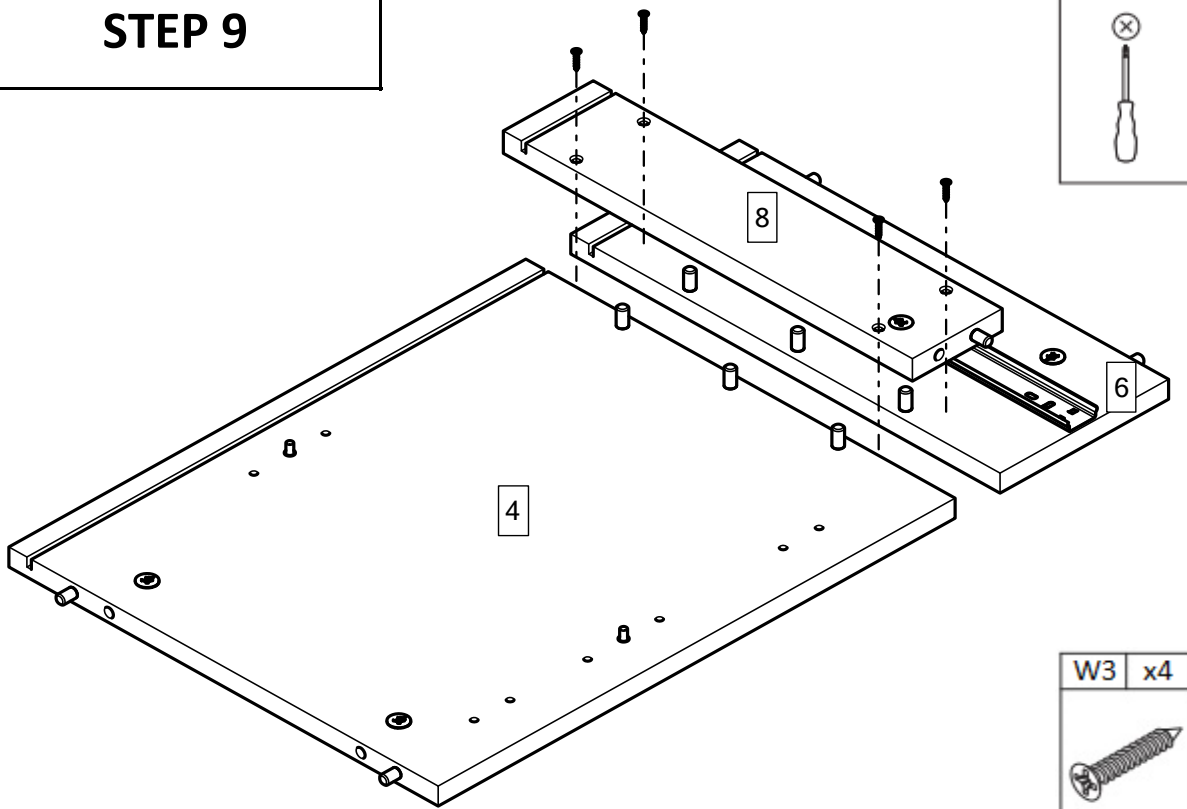


STEP 8

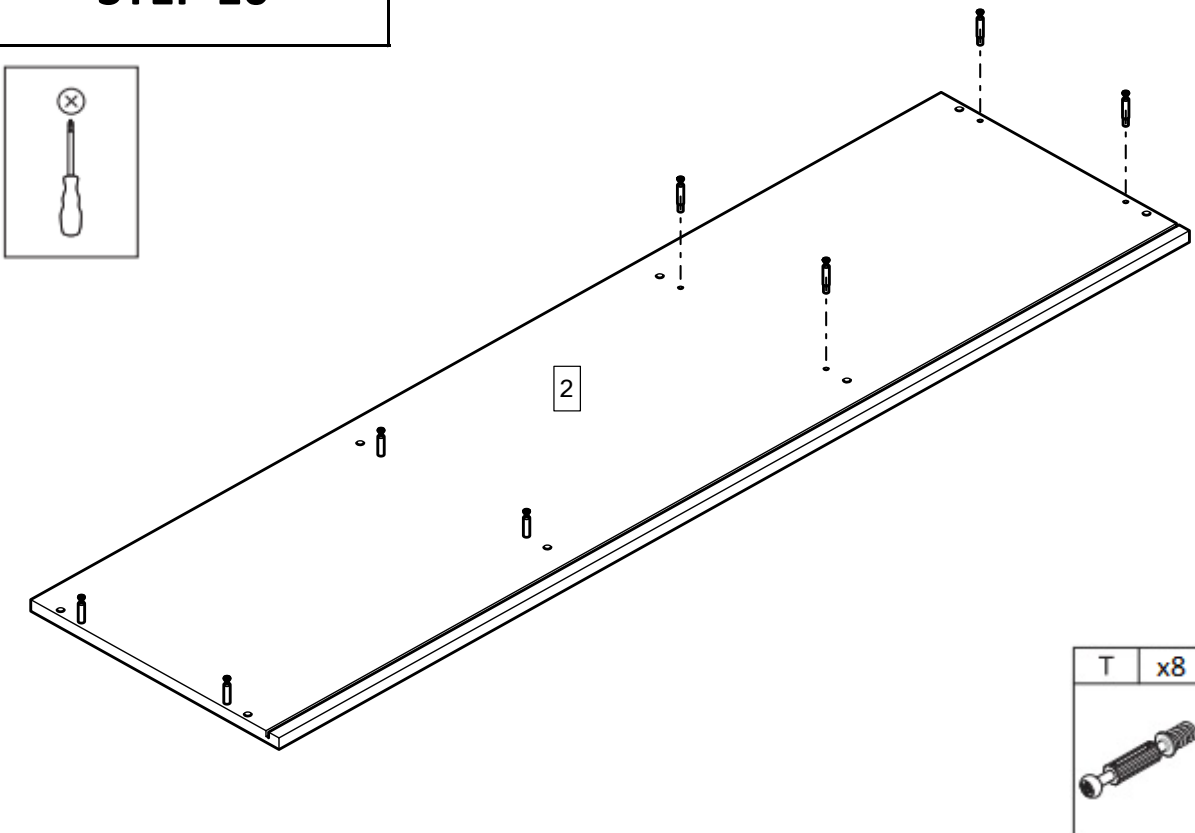


SMILE SIDEBOARD

STEP 9

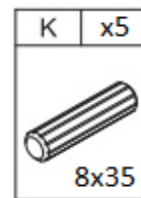
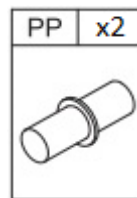
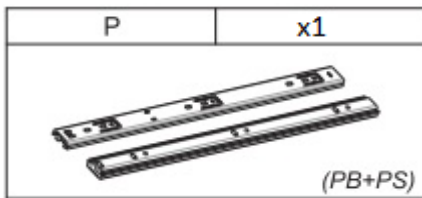
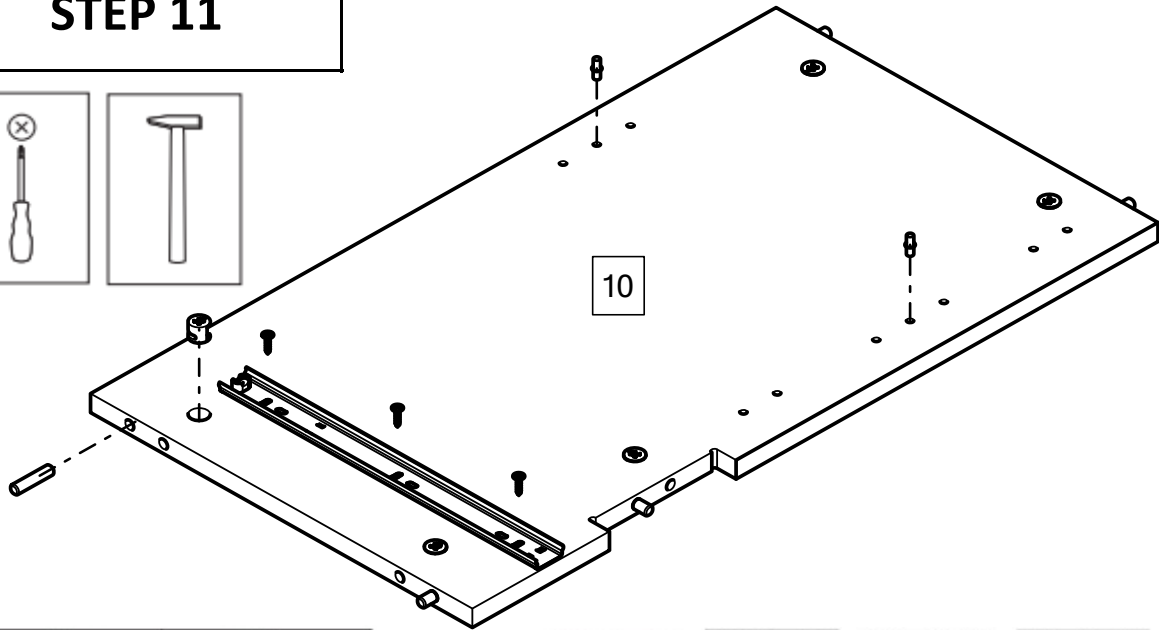
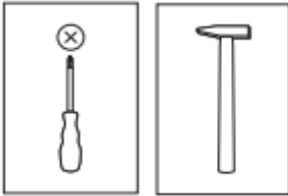


STEP 10

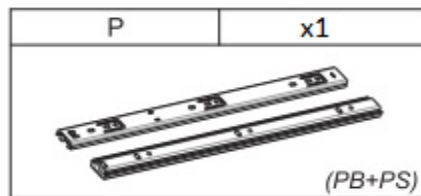
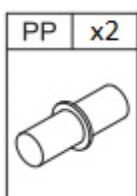
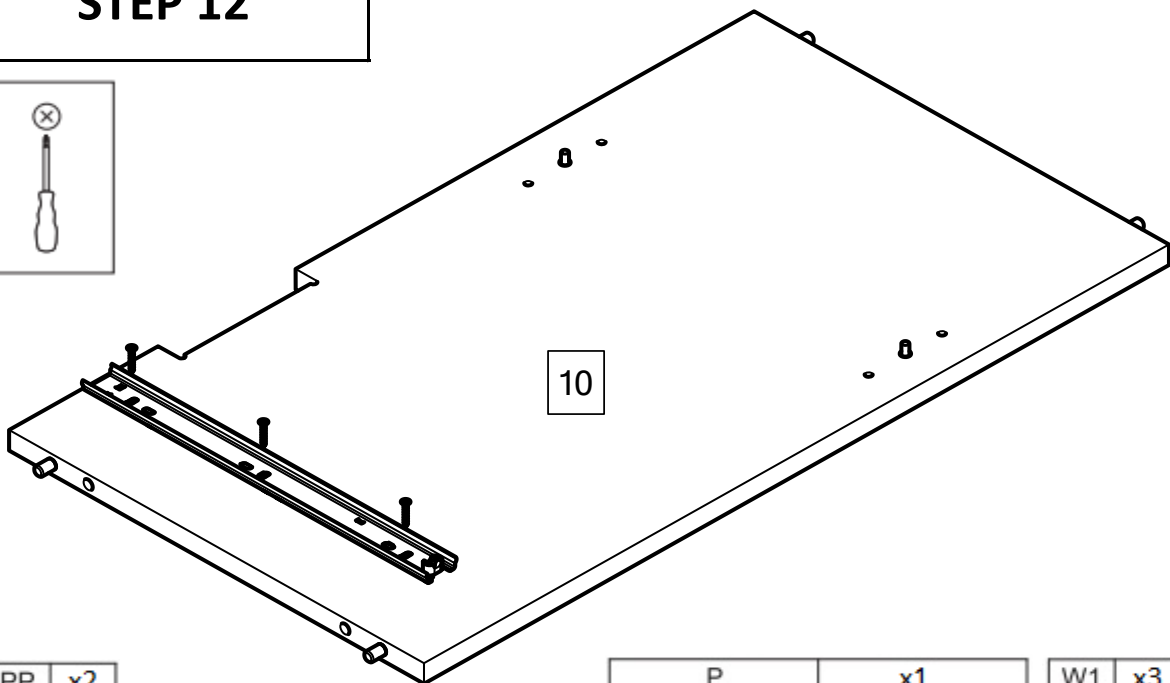
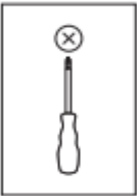


SMILE SIDEBOARD

STEP 11

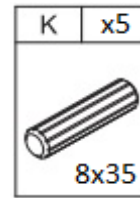
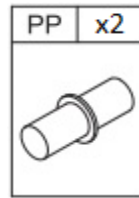
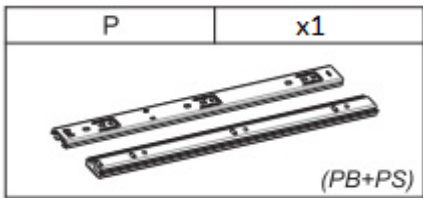
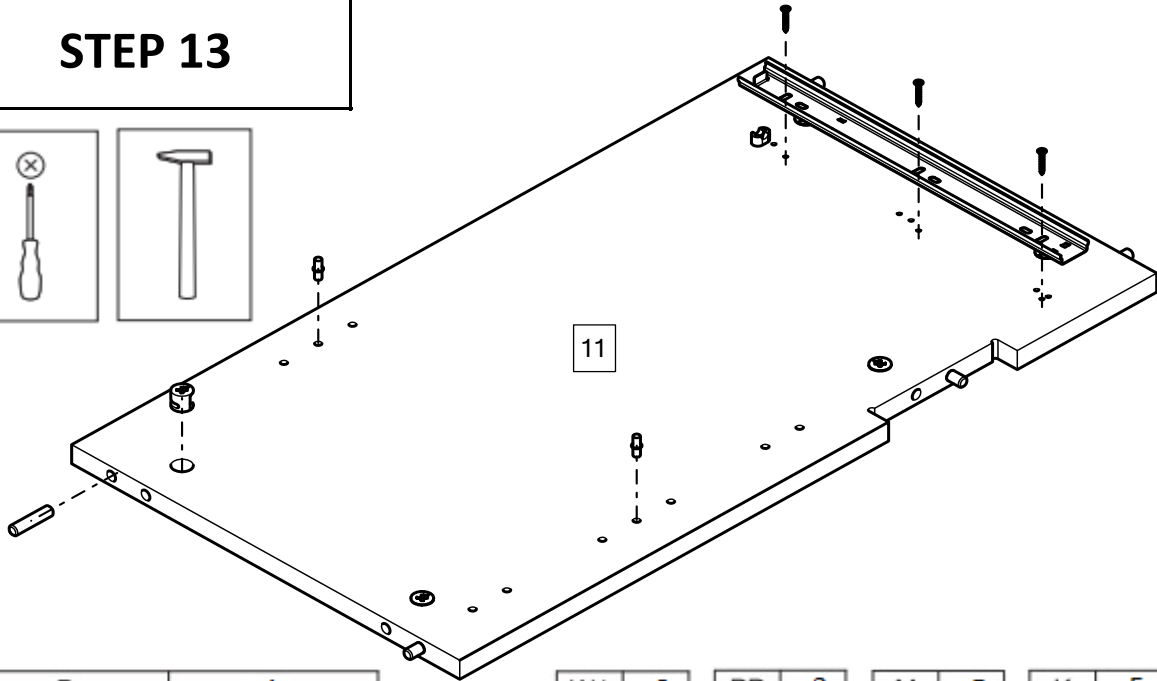
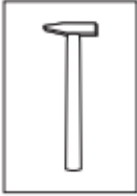
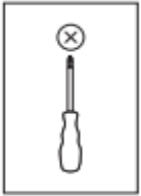


STEP 12

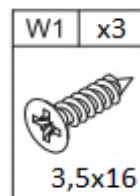
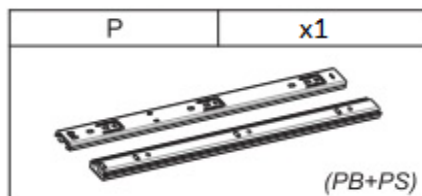
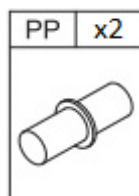
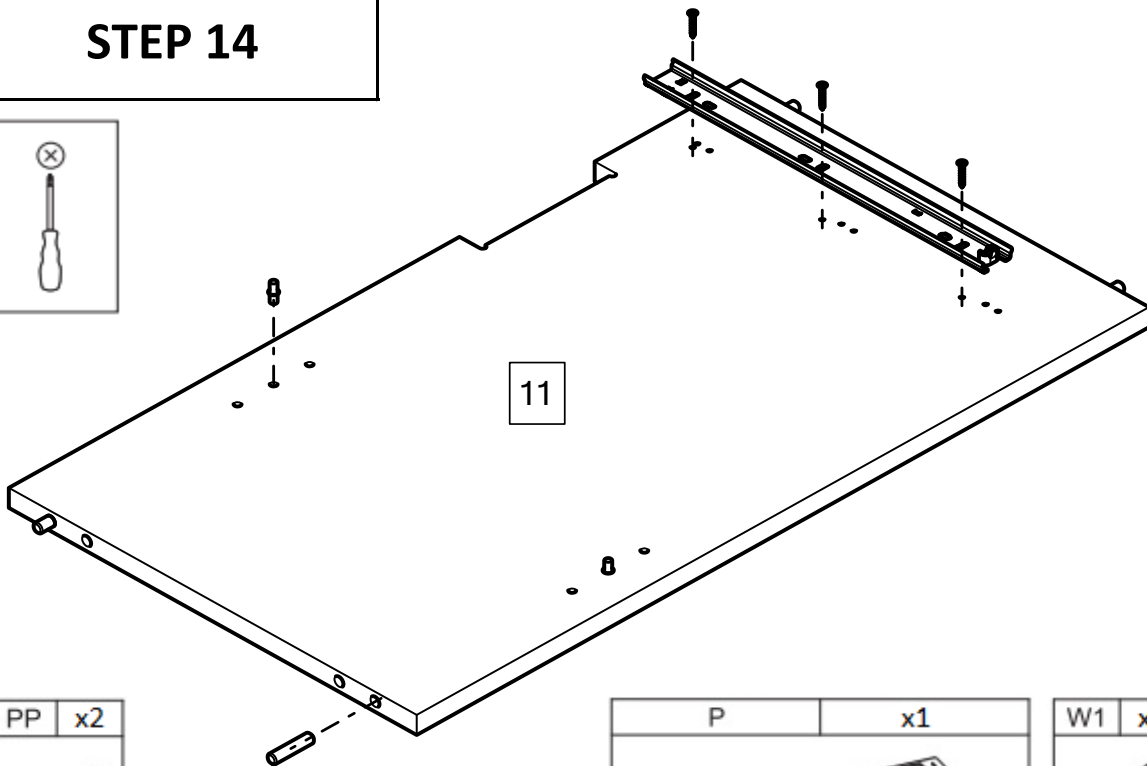
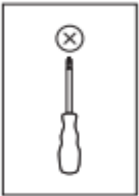


SMILE SIDEBOARD

STEP 13

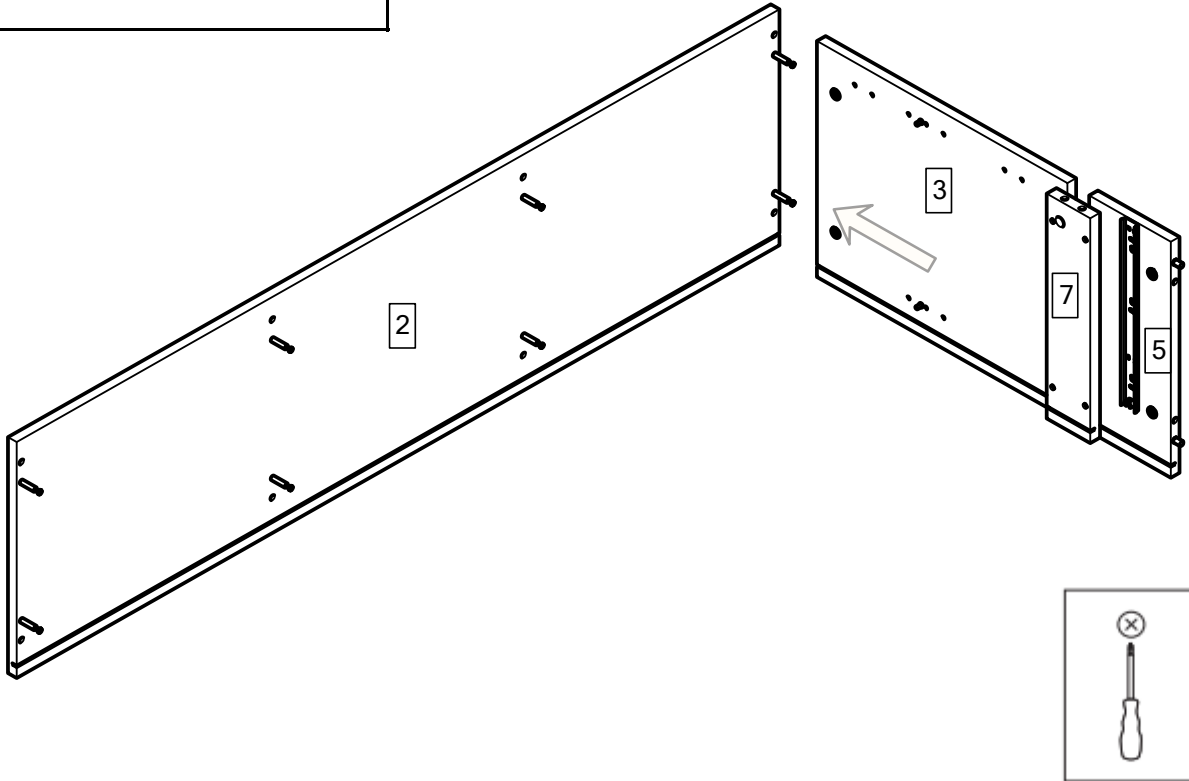


STEP 14

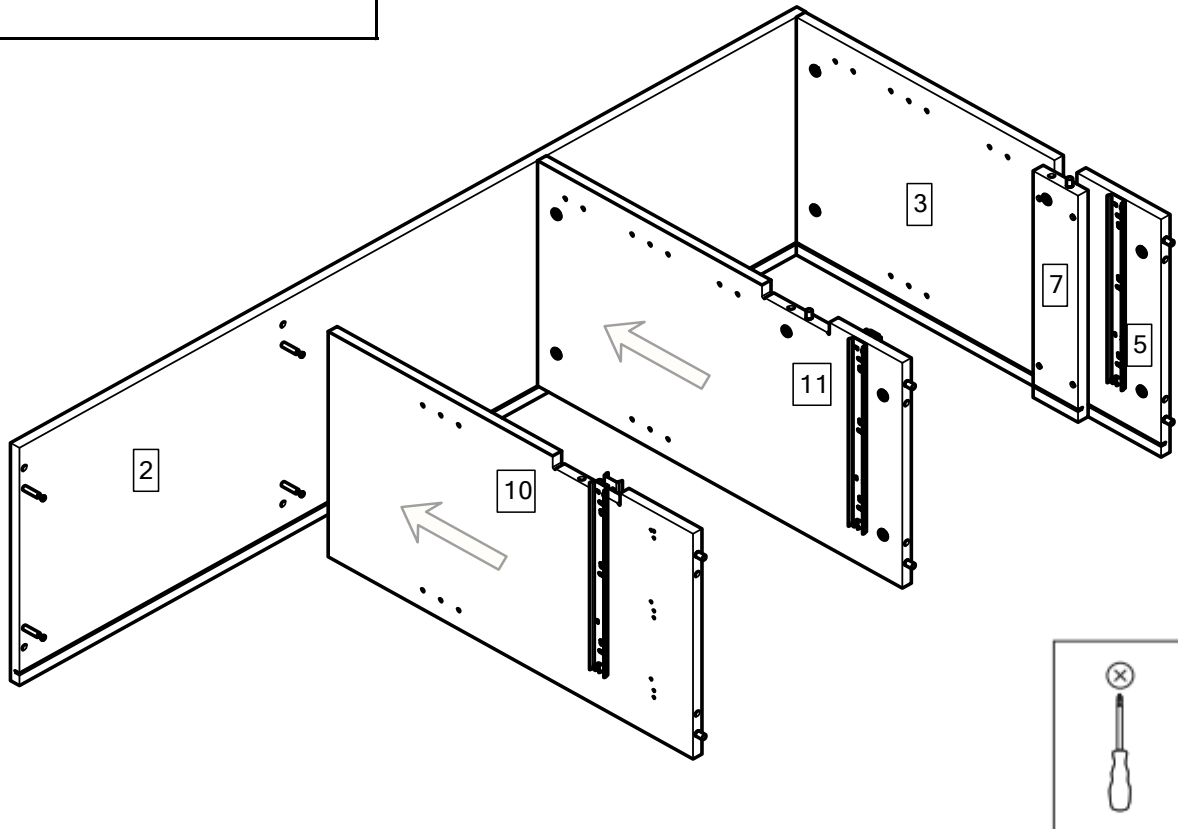


SMILE SIDEBOARD

STEP 15

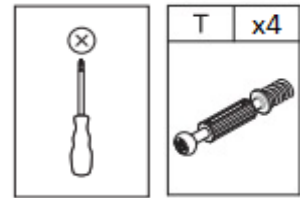
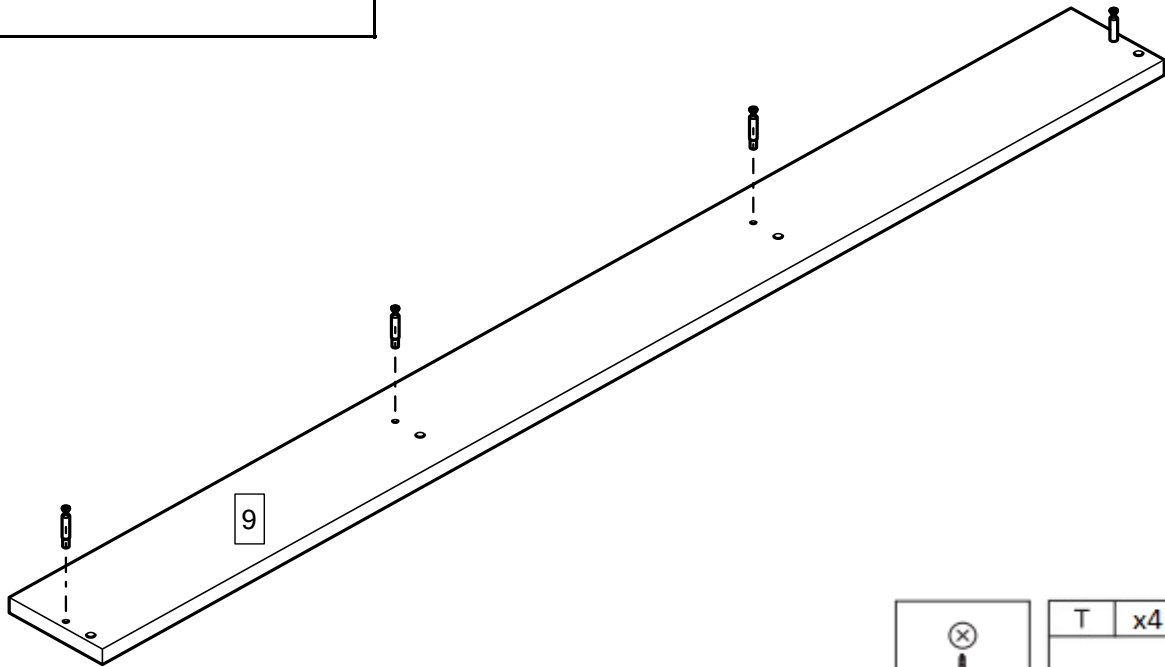


STEP 16

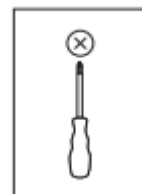
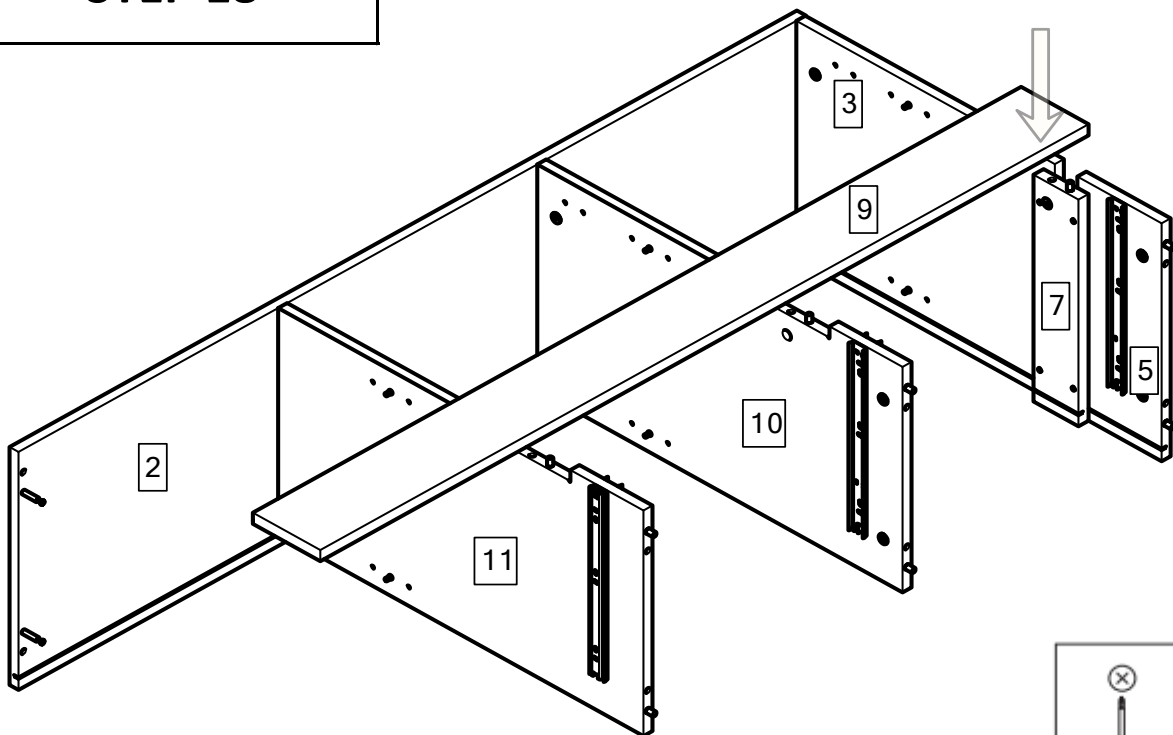


SMILE SIDEBOARD

STEP 17

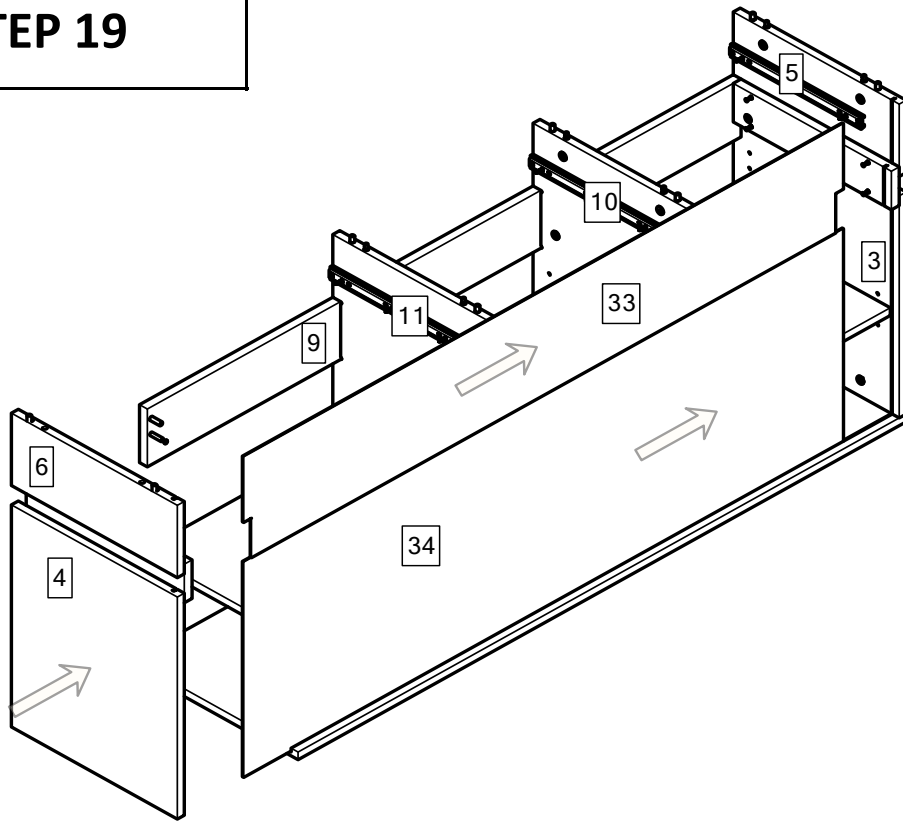


STEP 18

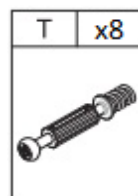
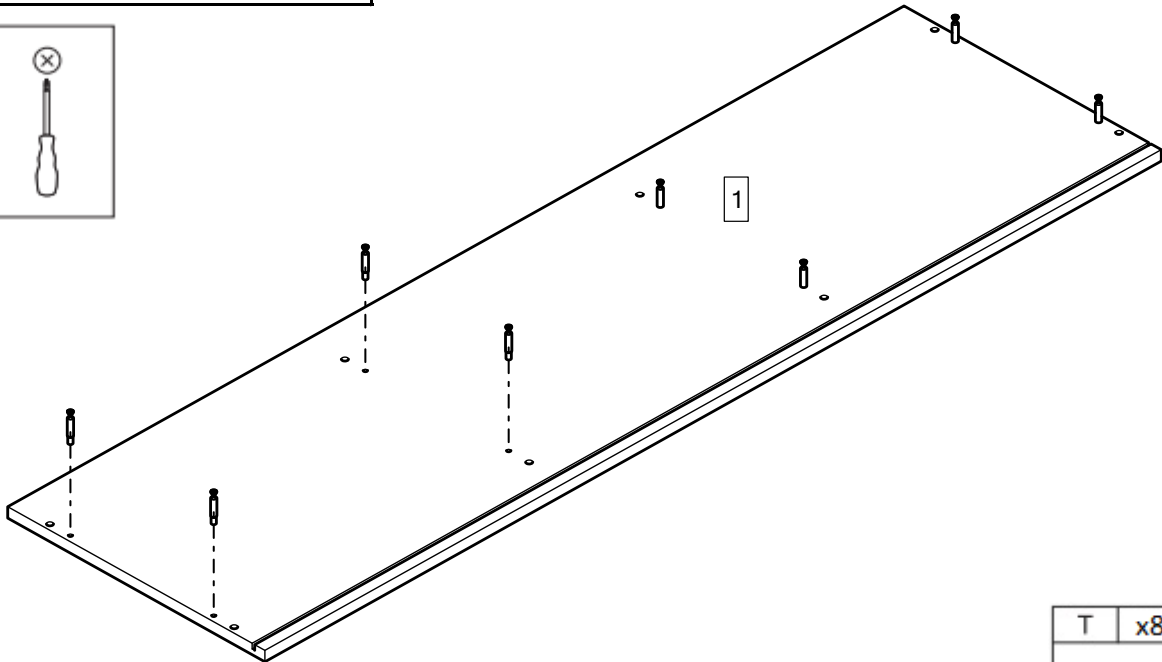
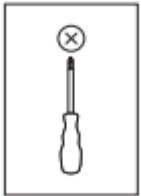


SMILE SIDEBOARD

STEP 19

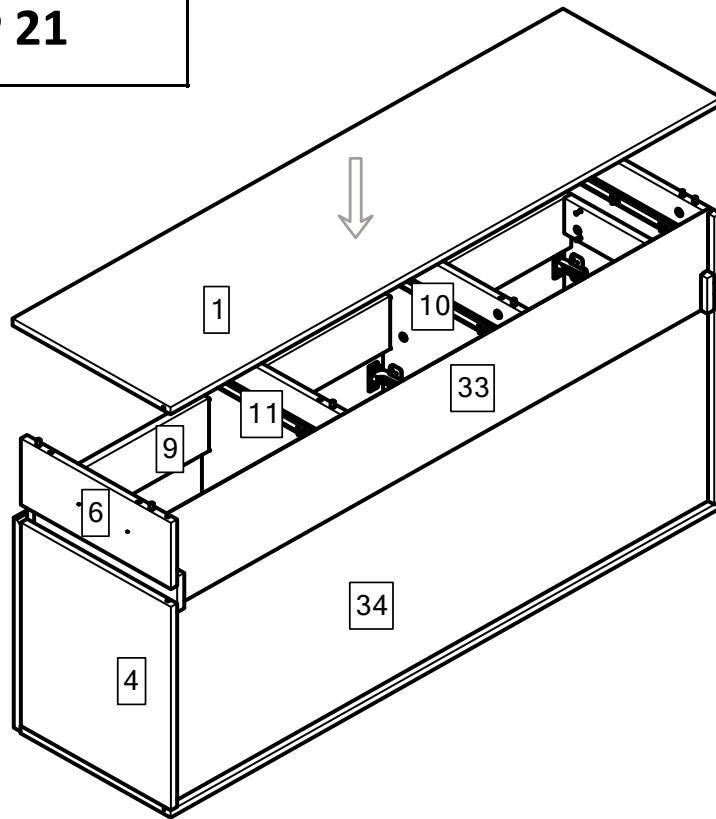


STEP 20

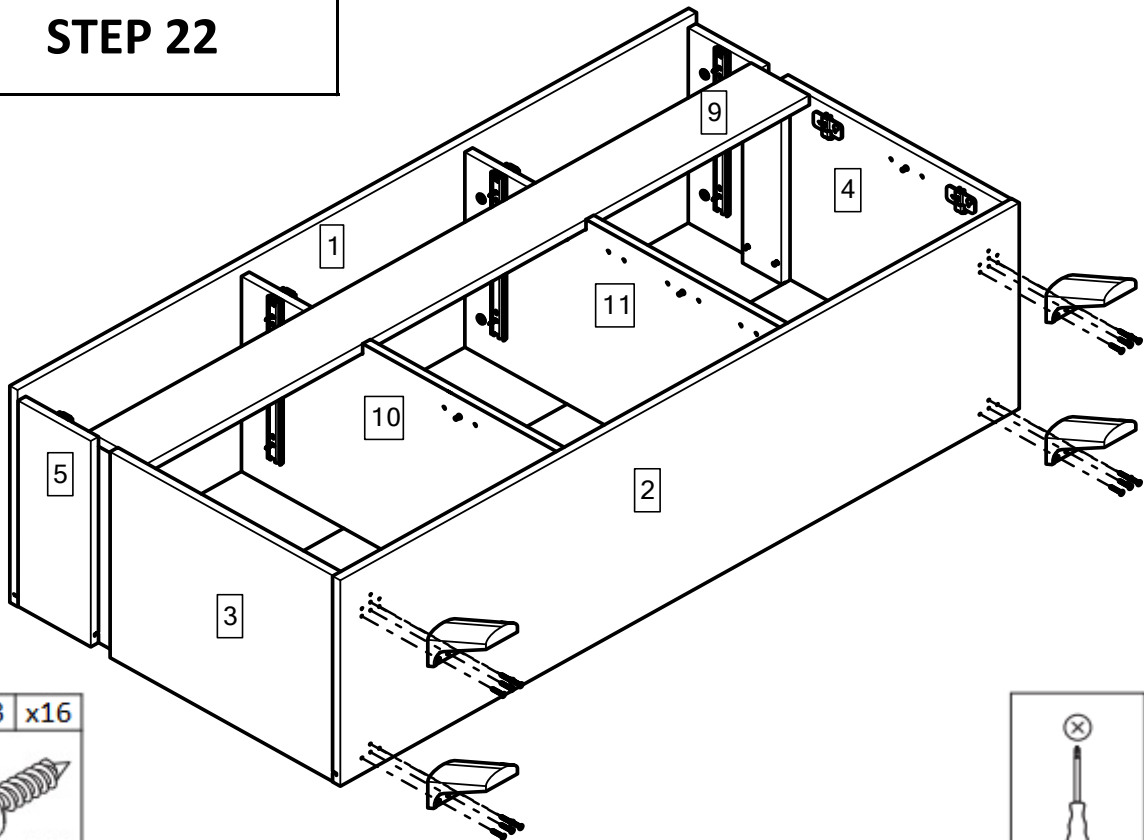


SMILE SIDEBOARD

STEP 21

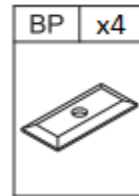
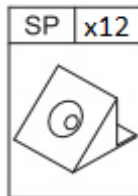
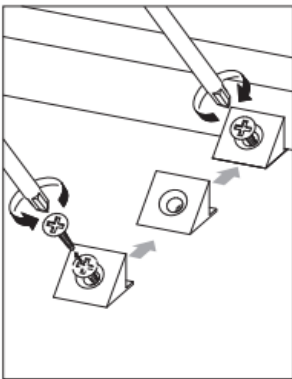
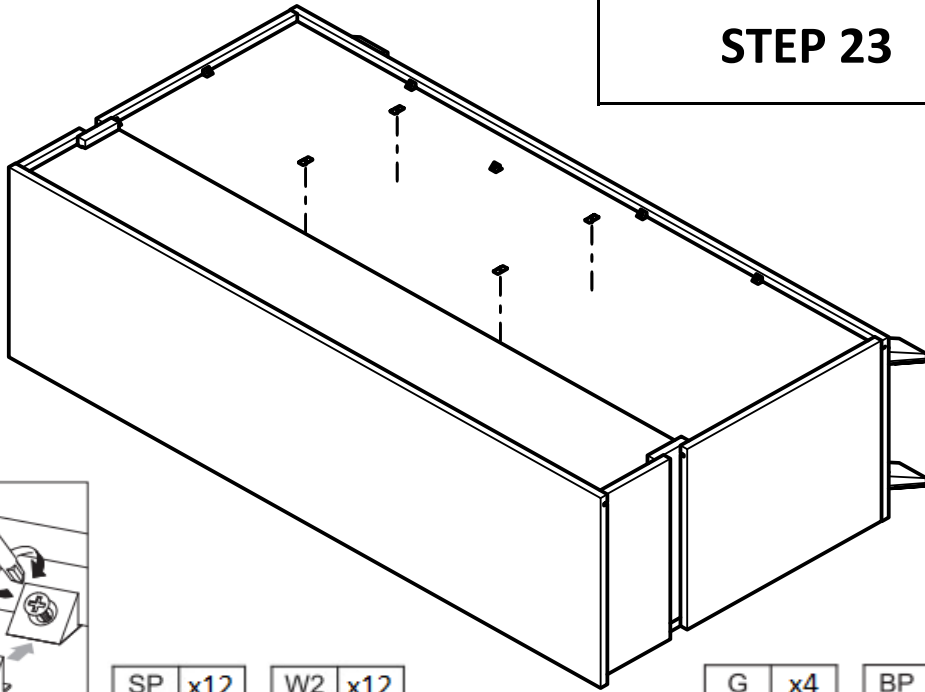
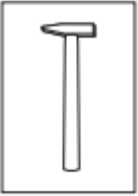
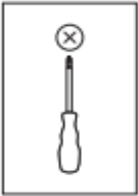


STEP 22

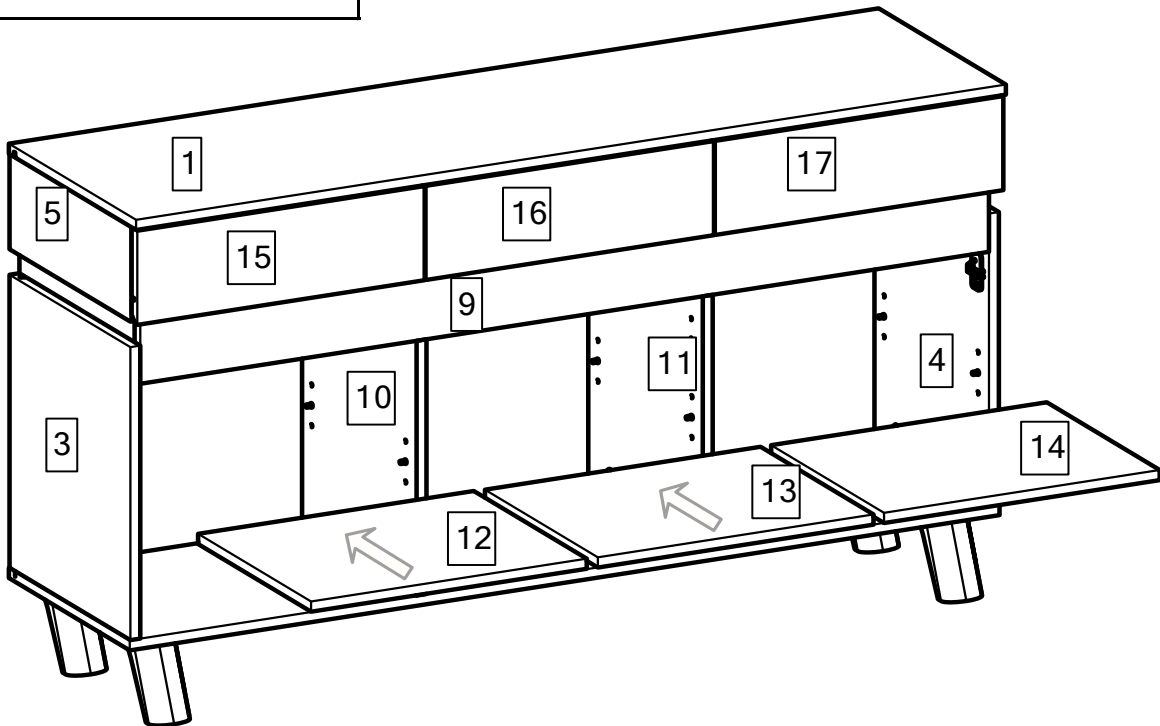


SMILE SIDEBOARD

STEP 23

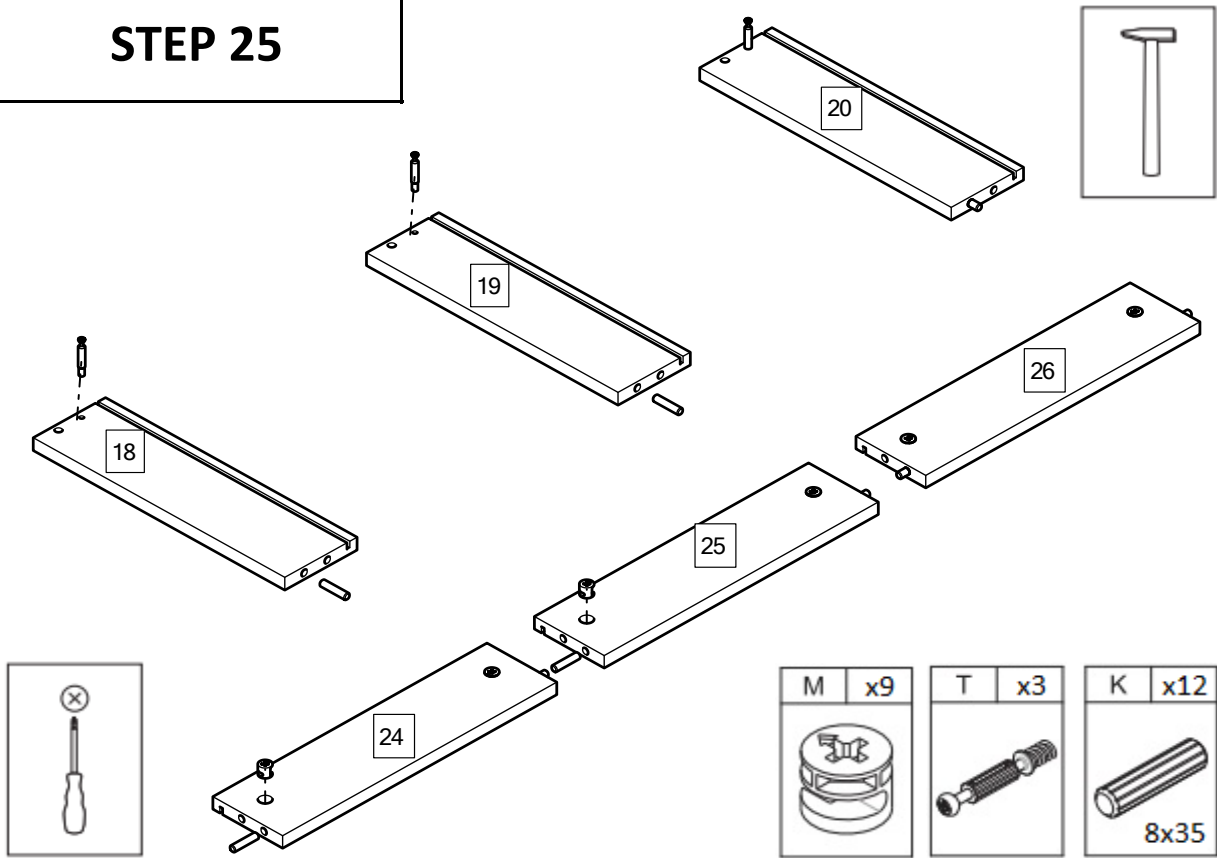


STEP 24

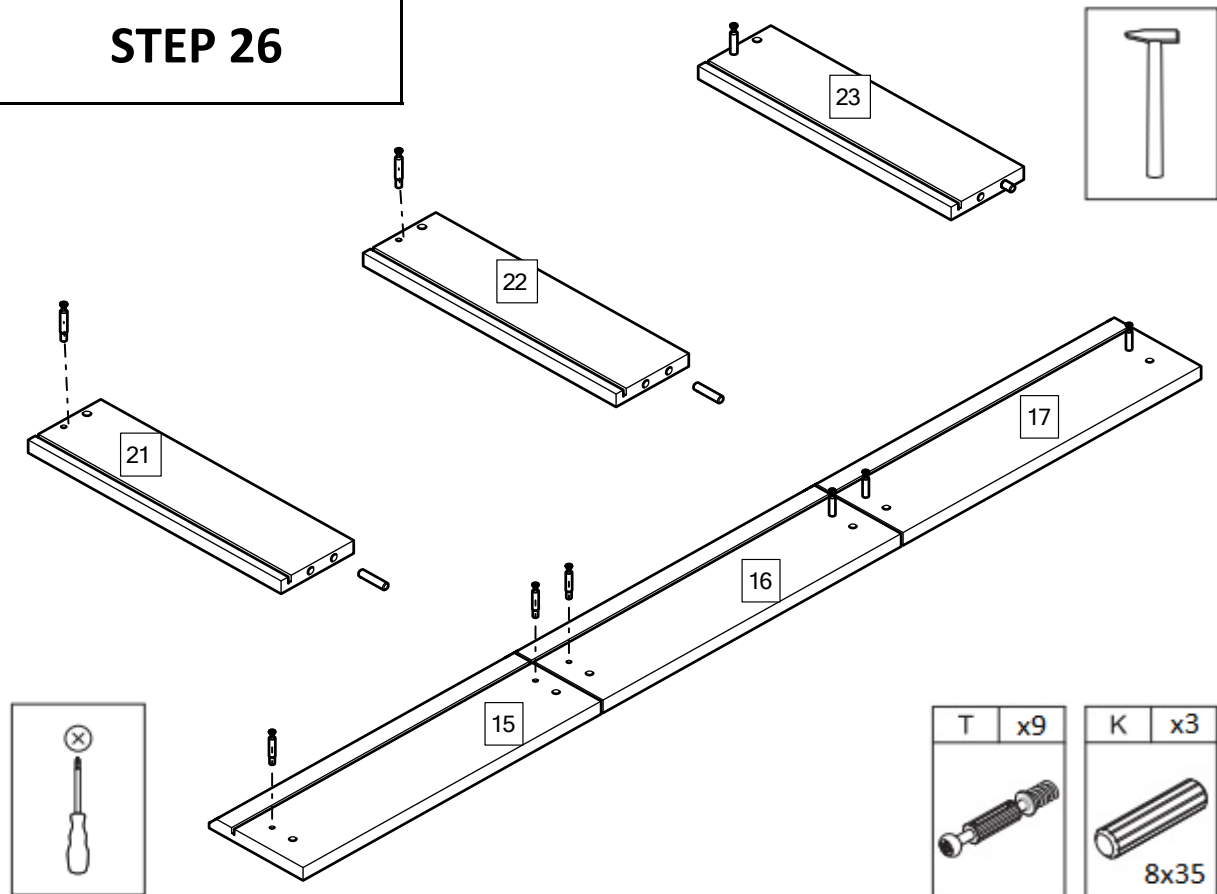


SMILE SIDEBOARD

STEP 25

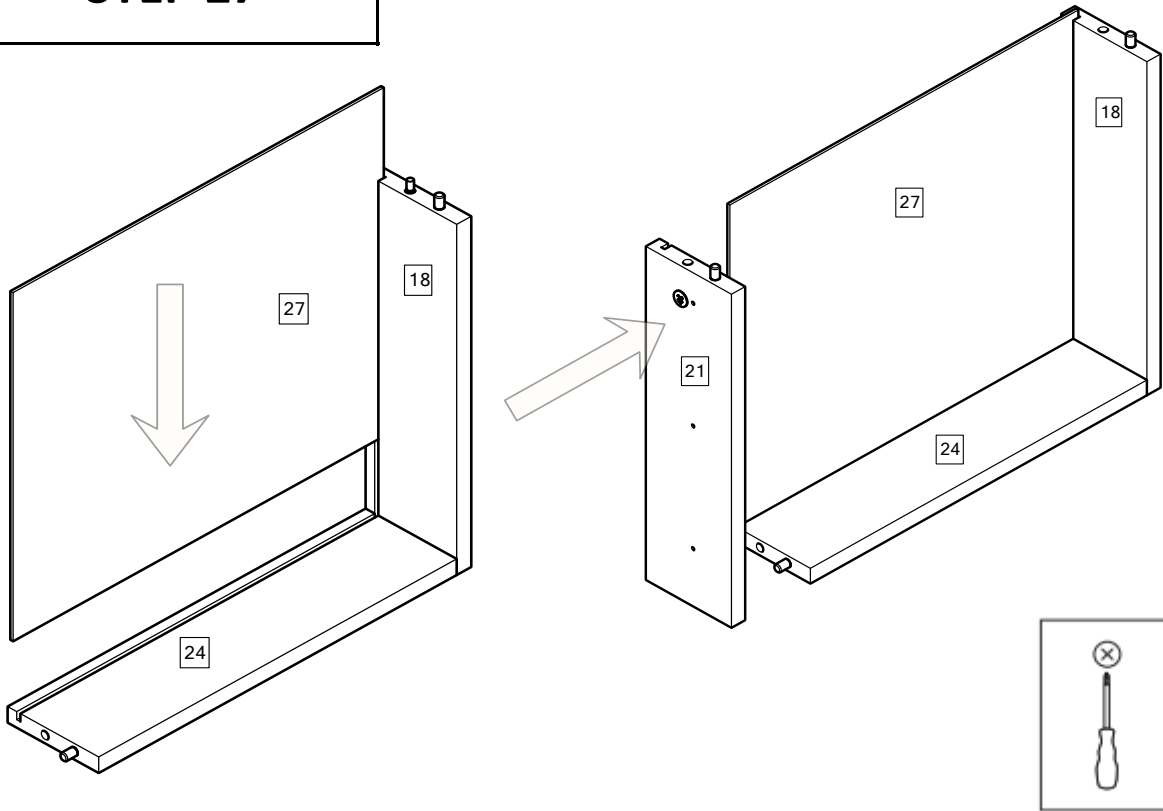


STEP 26

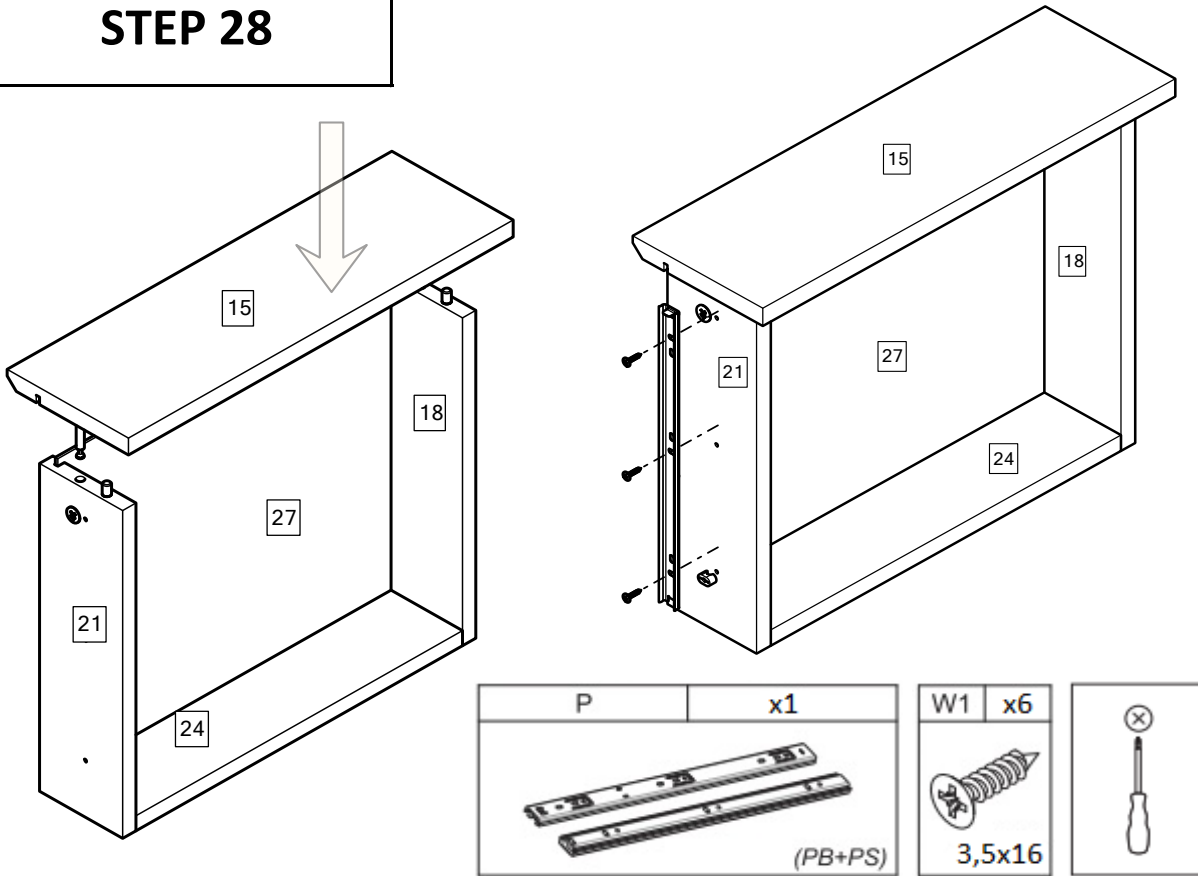


SMILE SIDEBOARD

STEP 27

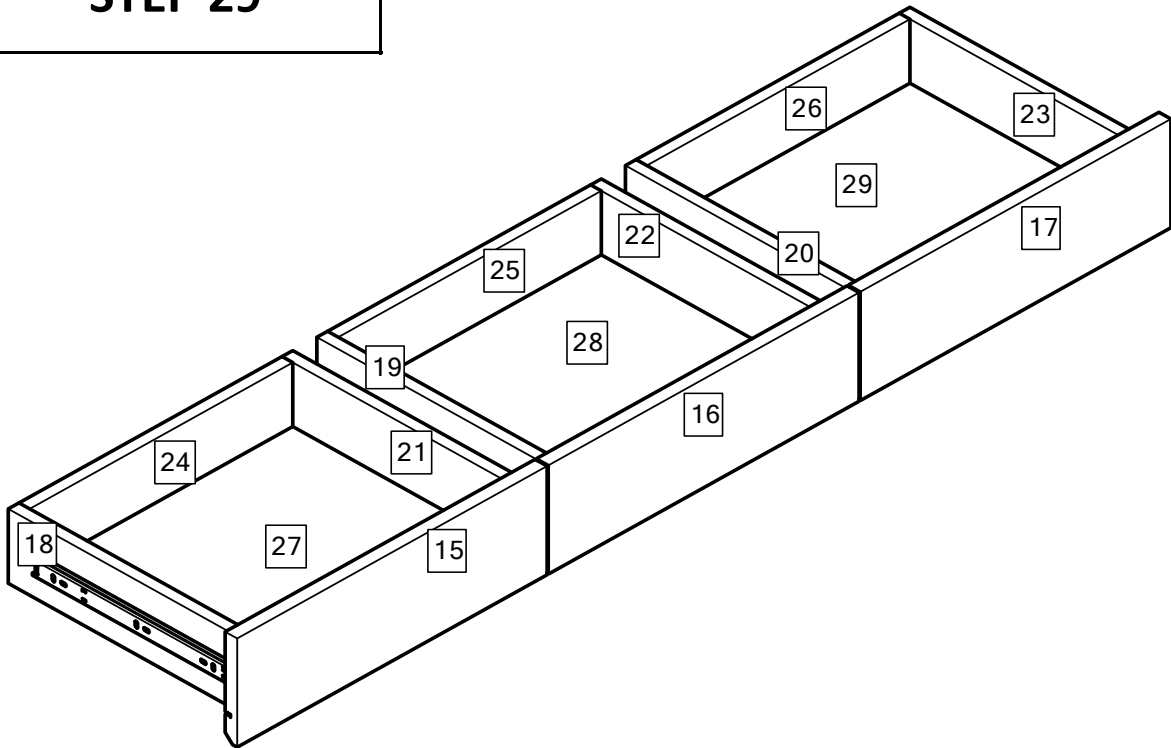


STEP 28

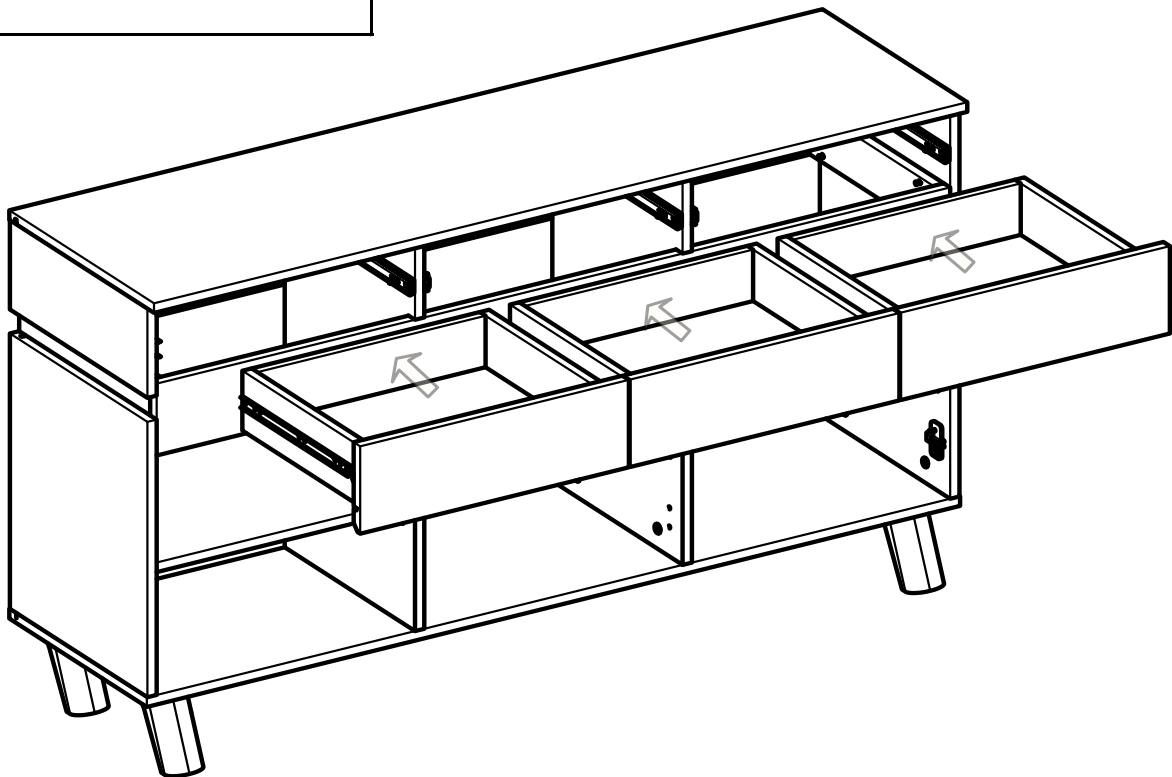


SMILE SIDEBOARD

STEP 29

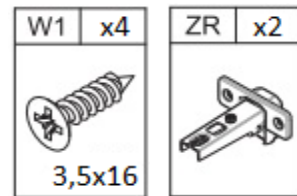
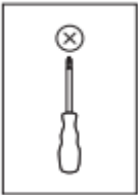
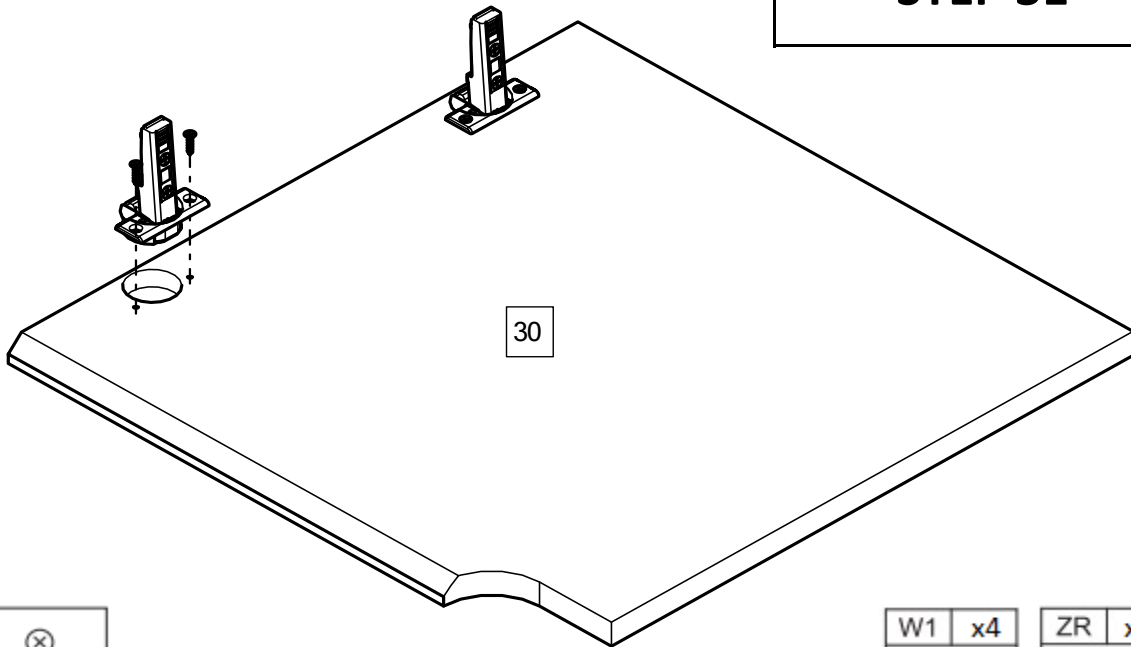


STEP 30

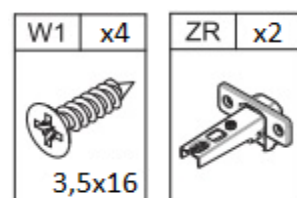
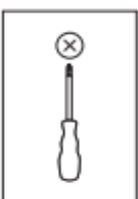
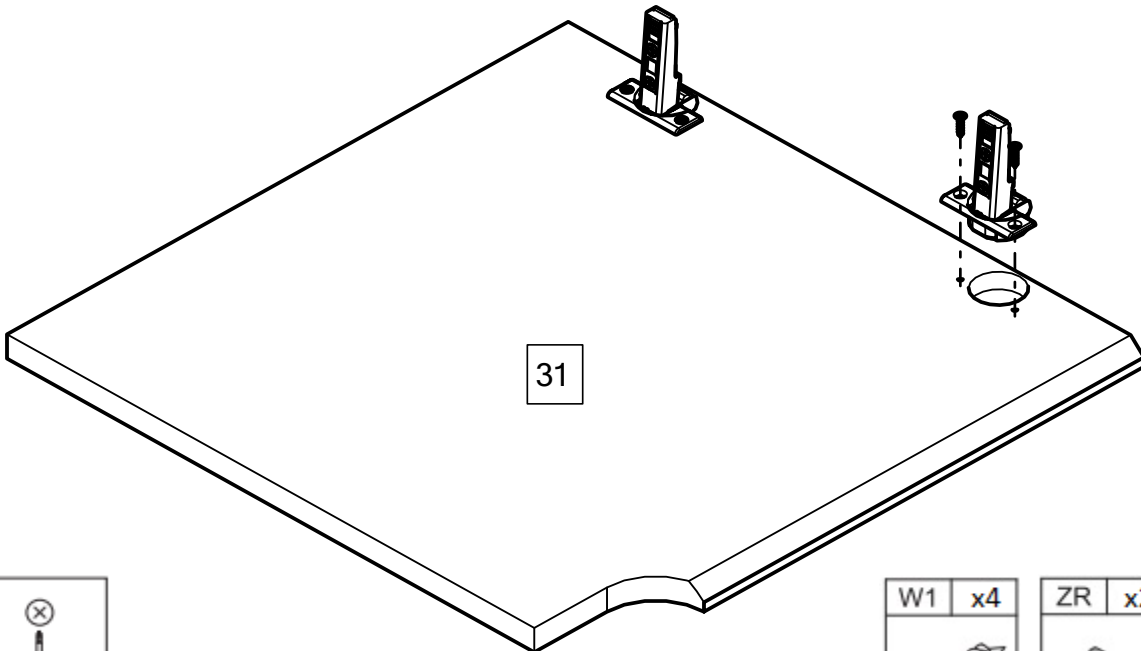


SMILE SIDEBOARD

STEP 31

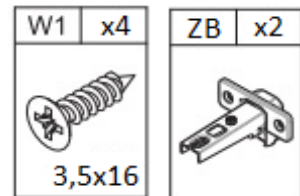
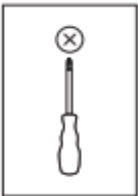
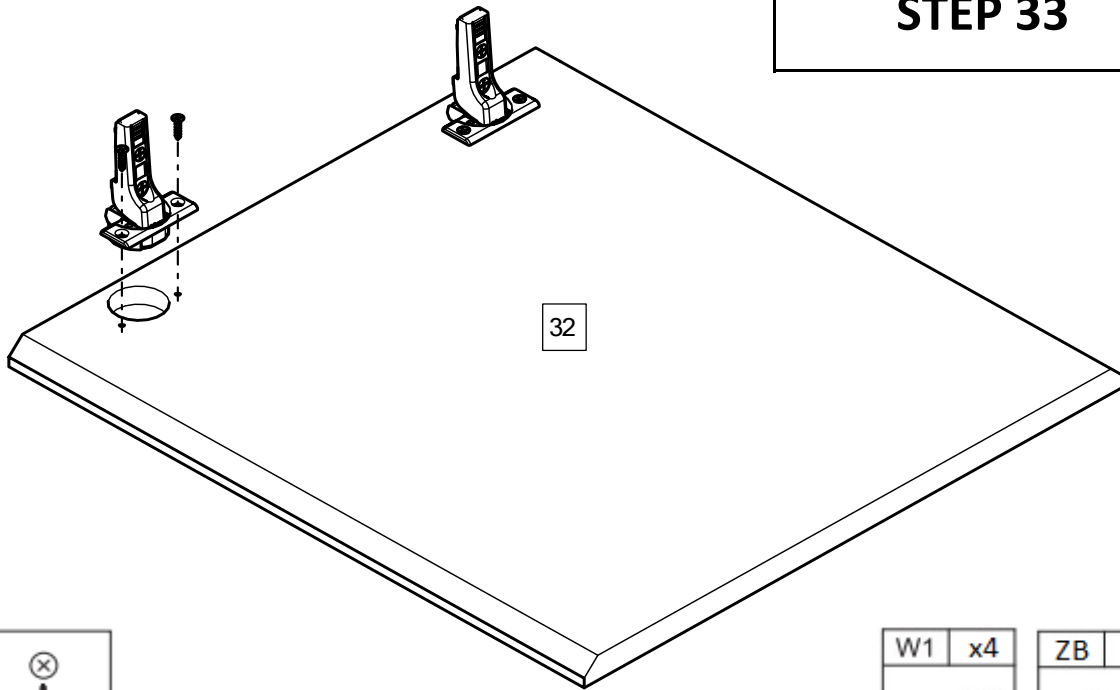


STEP 32



SMILE SIDEBOARD

STEP 33



STEP 34

