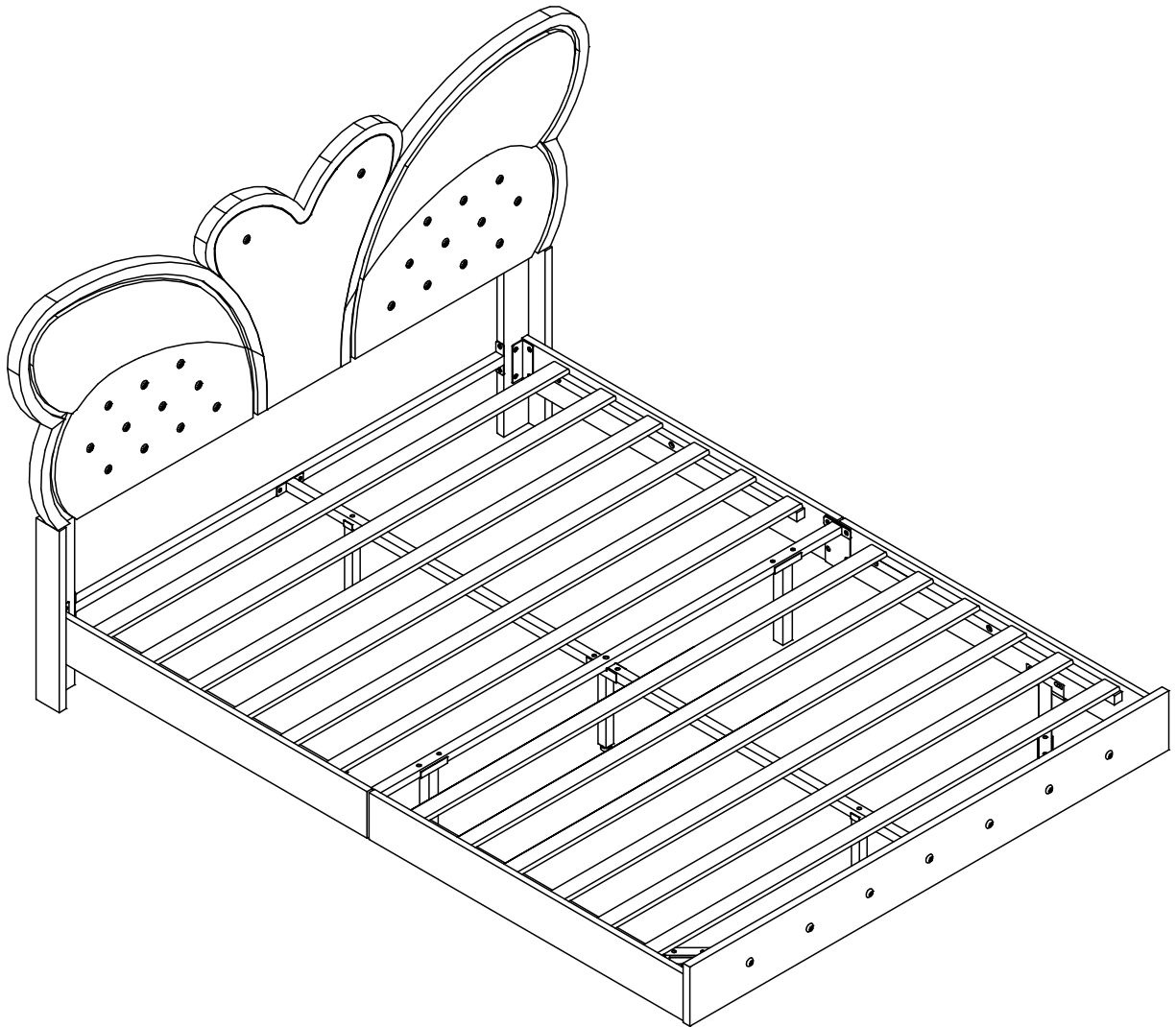
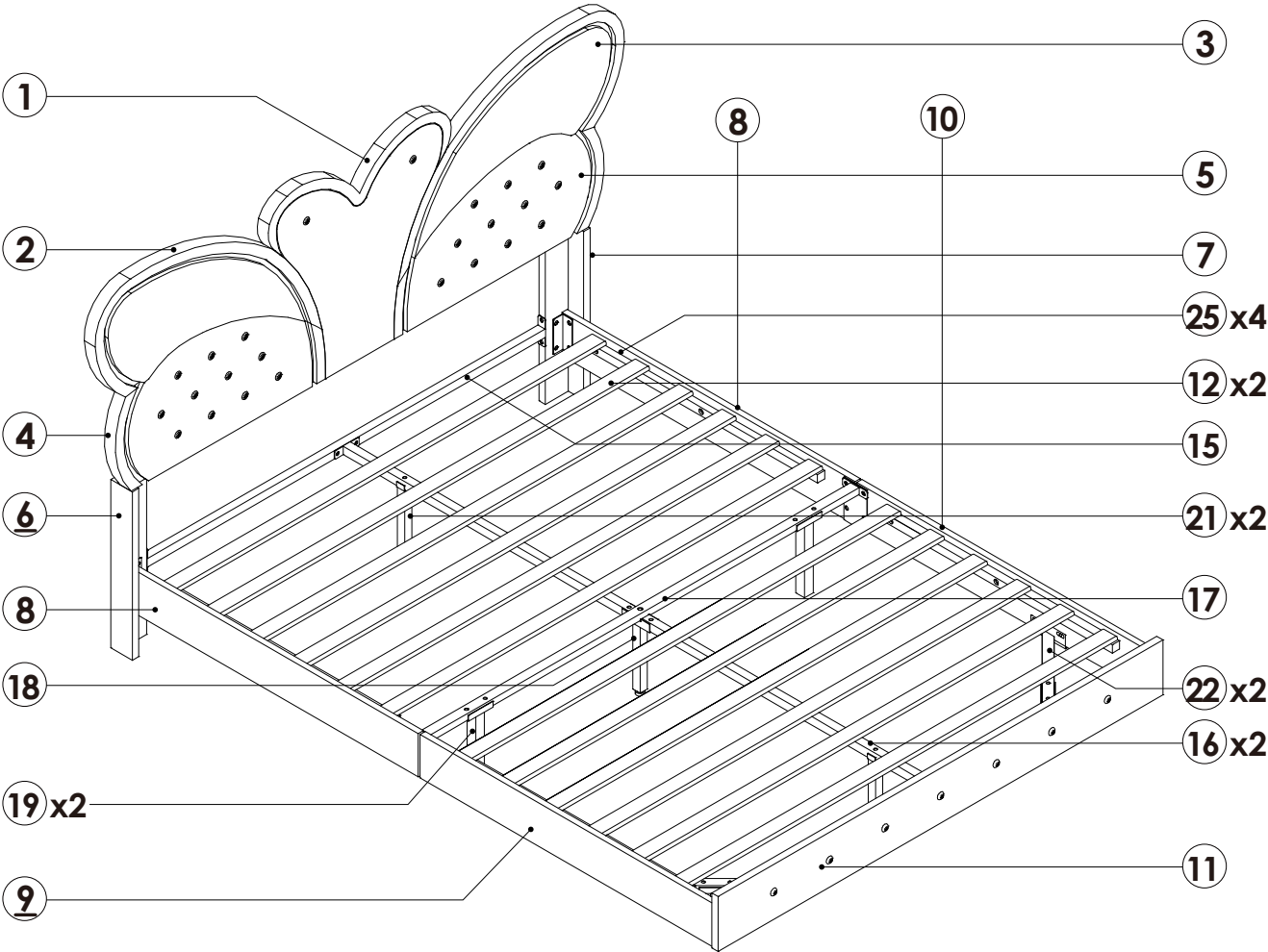


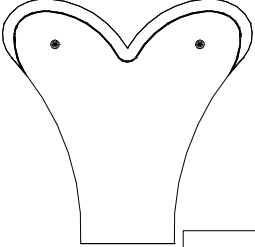
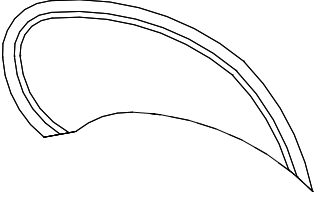
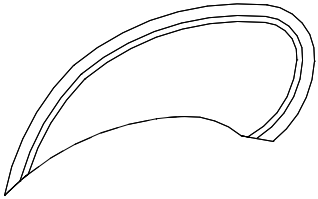
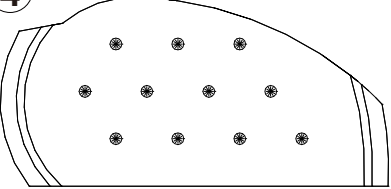
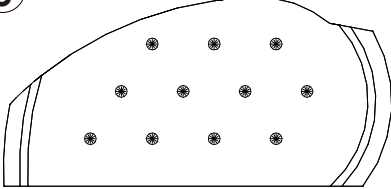
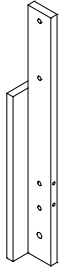

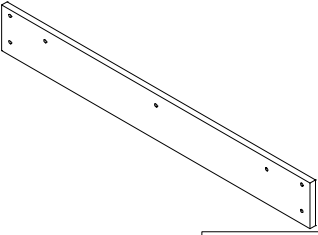
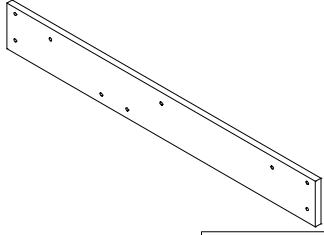
User's Manual

Bed Frame with Headboard

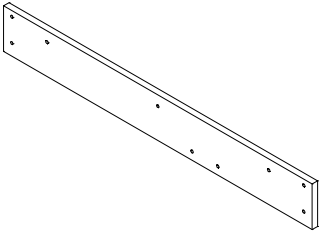
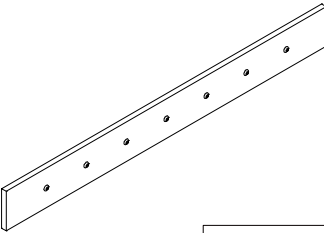
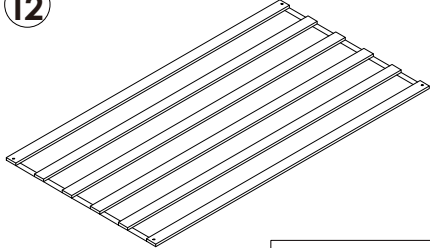
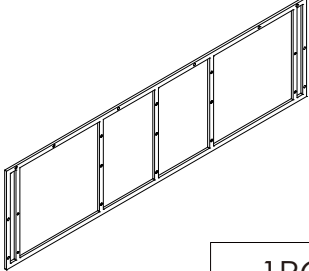
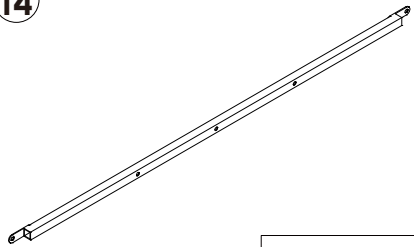
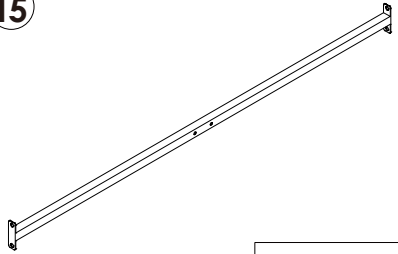
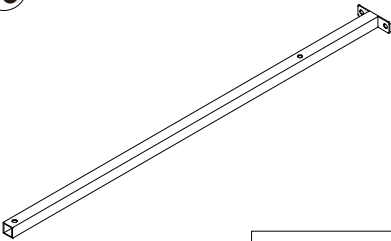
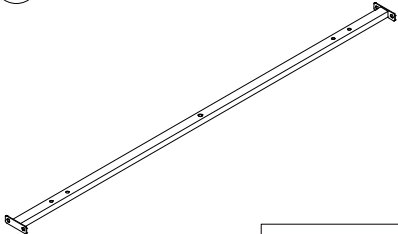
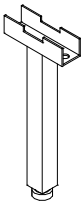
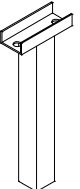
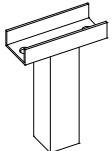

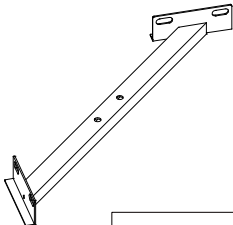
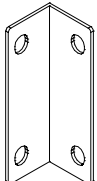
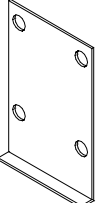
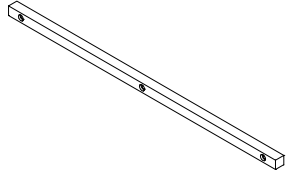
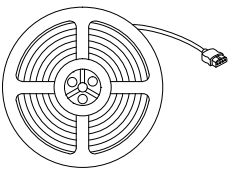
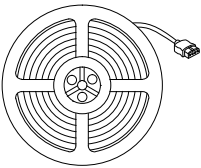
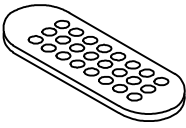
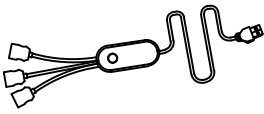


Assembly Instruction

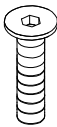
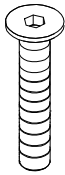
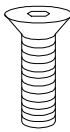
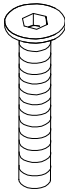
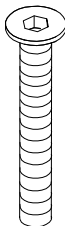
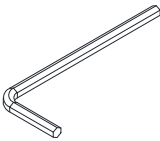
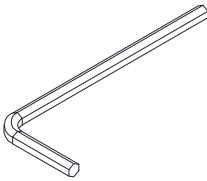
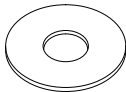
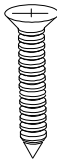
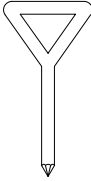


1  1PC	2  1PC	3  1PC
4  1PC	5  1PC	6  1PC
7  1PC	8  2PCS	9  1PC

Assembly Instruction

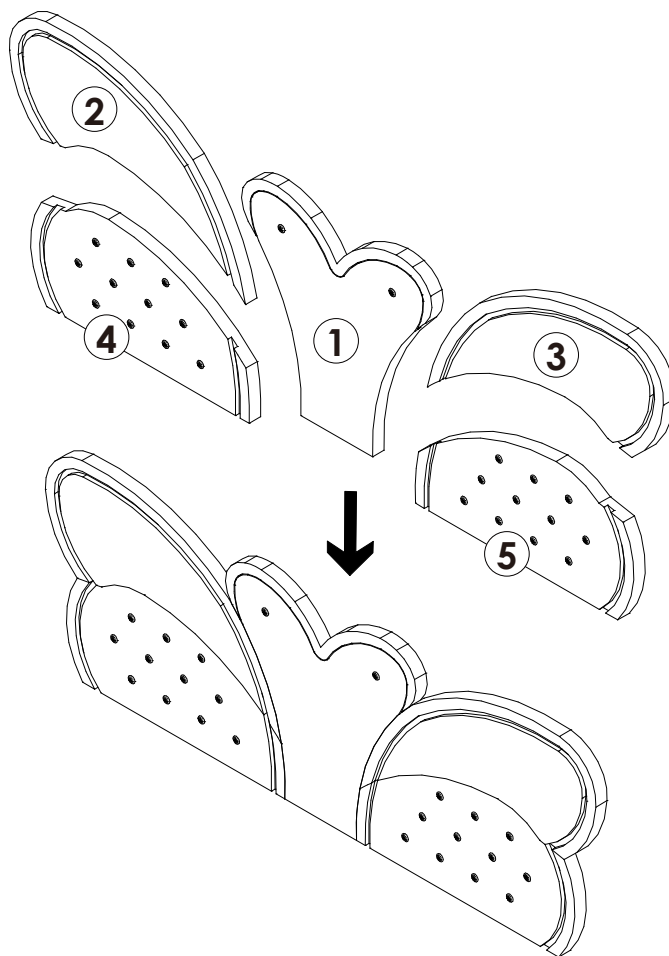
10  1PC	11  1PC	12  2PCS	
13  1PC	14  1PC	15  1PC	
16  2PCS	17  1PC	18  1PC	
19  High 2PCS	20  Short 2PCS	21  2PCS	22  2PCS
23  4PCS	24  2PCS	25  4PCS	26  Long light bar 2PCS
27  Short light bar 1PC	28  Remote control 1PC	29  Power cord 1PC	

Assembly Instruction

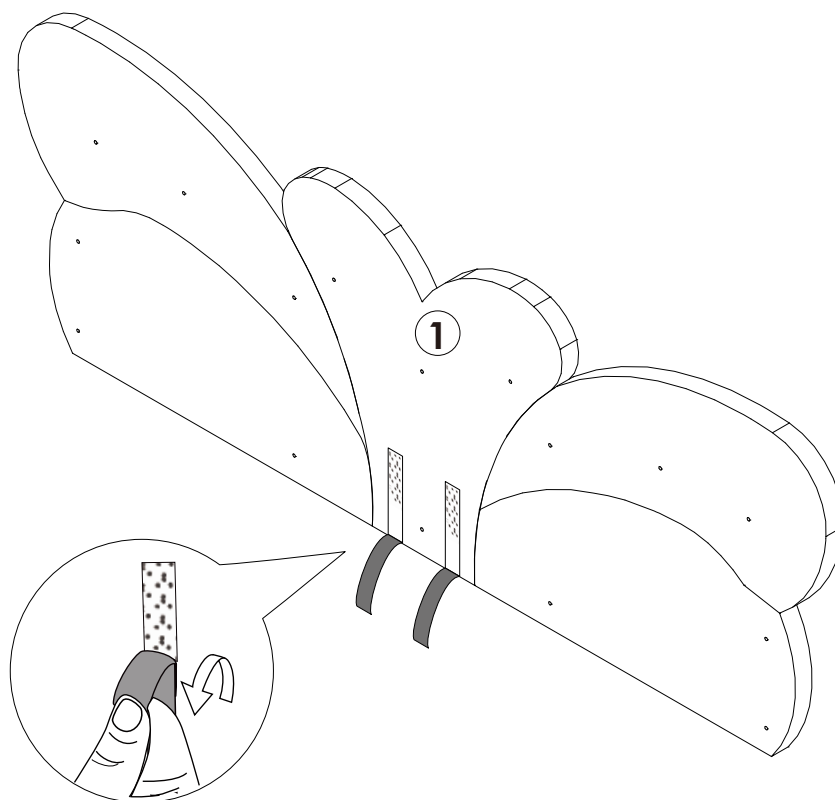
<p>A</p> <div style="text-align: center; margin: 10px 0;">  </div> <div style="display: flex; justify-content: space-between; margin-top: 10px;"> M6×20mm <div style="border: 1px solid black; padding: 2px 10px;">17PCS</div> </div>	<p>B</p> <div style="text-align: center; margin: 10px 0;">  </div> <div style="display: flex; justify-content: space-between; margin-top: 10px;"> M6×45mm <div style="border: 1px solid black; padding: 2px 10px;">4PCS</div> </div>	<p>C</p> <div style="text-align: center; margin: 10px 0;">  </div> <div style="display: flex; justify-content: space-between; margin-top: 10px;"> M8×20mm <div style="border: 1px solid black; padding: 2px 10px;">43PCS</div> </div>
<p>E</p> <div style="text-align: center; margin: 10px 0;">  </div> <div style="display: flex; justify-content: space-between; margin-top: 10px;"> M8×40mm <div style="border: 1px solid black; padding: 2px 10px;">31PCS</div> </div>	<p>F</p> <div style="text-align: center; margin: 10px 0;">  </div> <div style="display: flex; justify-content: space-between; margin-top: 10px;"> M8×50mm <div style="border: 1px solid black; padding: 2px 10px;">2PCS</div> </div>	<p>G</p> <div style="text-align: center; margin: 10px 0;">  </div> <div style="display: flex; justify-content: space-between; margin-top: 10px;"> M6 <div style="border: 1px solid black; padding: 2px 10px;">1PC</div> </div>
<p>H</p> <div style="text-align: center; margin: 10px 0;">  </div> <div style="display: flex; justify-content: space-between; margin-top: 10px;"> M8 <div style="border: 1px solid black; padding: 2px 10px;">1PC</div> </div>	<p>J</p> <div style="text-align: center; margin: 10px 0;">  </div> <div style="display: flex; justify-content: space-between; margin-top: 10px;"> M8×22 <div style="border: 1px solid black; padding: 2px 10px;">4PCS</div> </div>	<p>K</p> <div style="text-align: center; margin: 10px 0;">  </div> <div style="display: flex; justify-content: space-between; margin-top: 10px;"> M4×25mm <div style="border: 1px solid black; padding: 2px 10px;">9PCS</div> </div>
<p>L</p> <div style="text-align: center; margin: 10px 0;">  </div> <div style="display: flex; justify-content: space-between; margin-top: 10px;"> M4 <div style="border: 1px solid black; padding: 2px 10px;">1PC</div> </div>		

Assembly Steps(EN) / Montageschritte(DE)

STEP 1



STEP 2

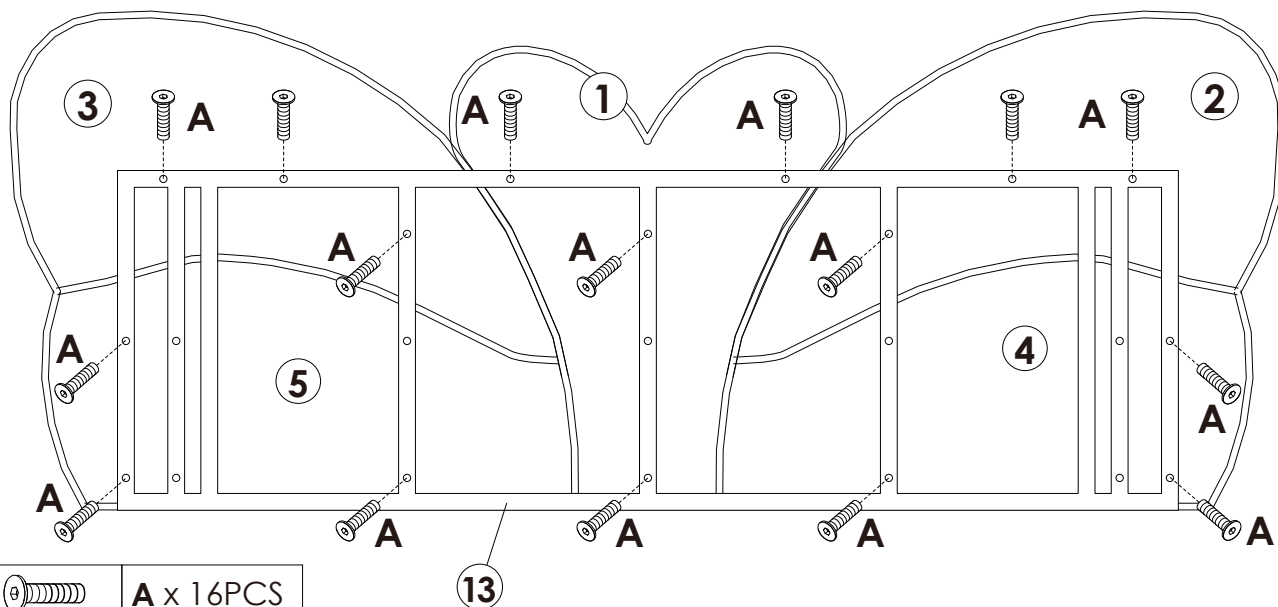


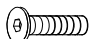
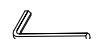
Assembly Steps(EN) / Montageschritte(DE)

STEP 3

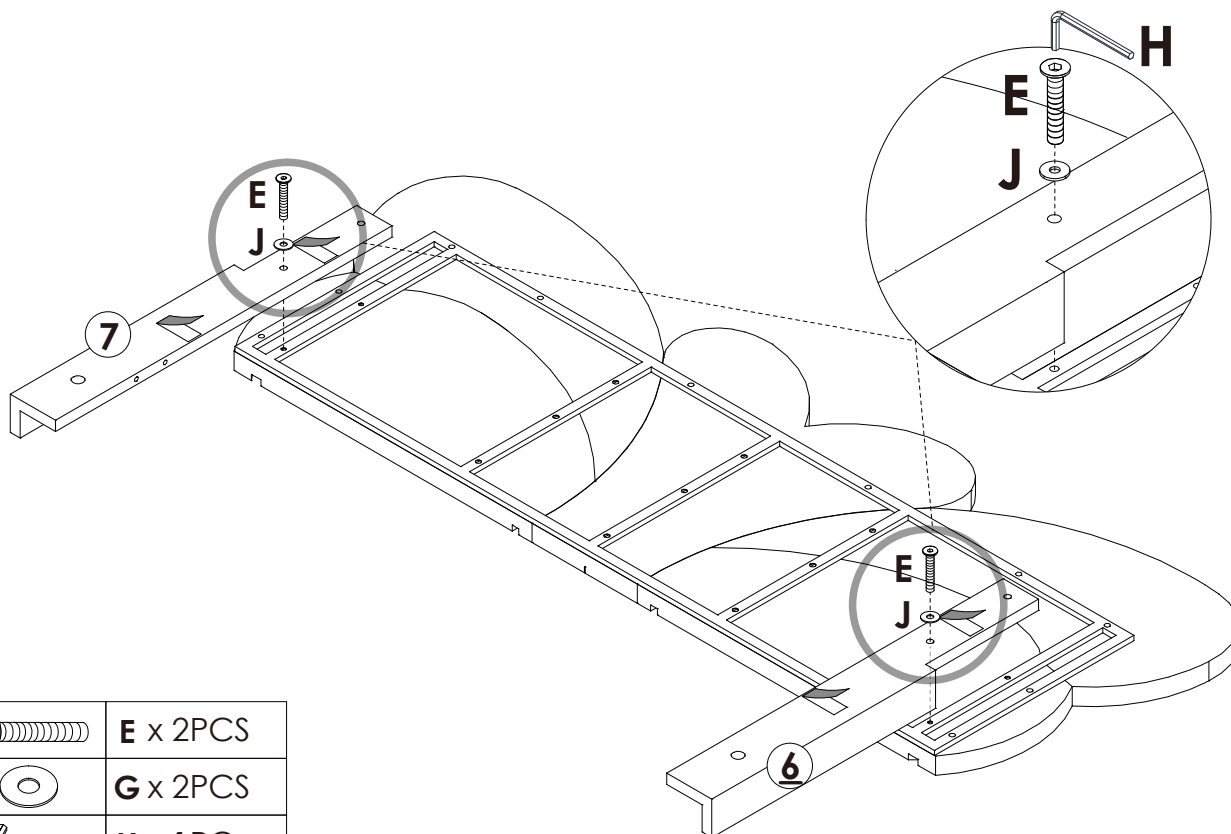
Place the assembled headboard flat with the back facing upwards and pay attention to during the direction of #13 installation

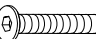


Screw in 50% of the screws and tighten them when all the screws are tightened



	A x 16PCS
	G x 1PC

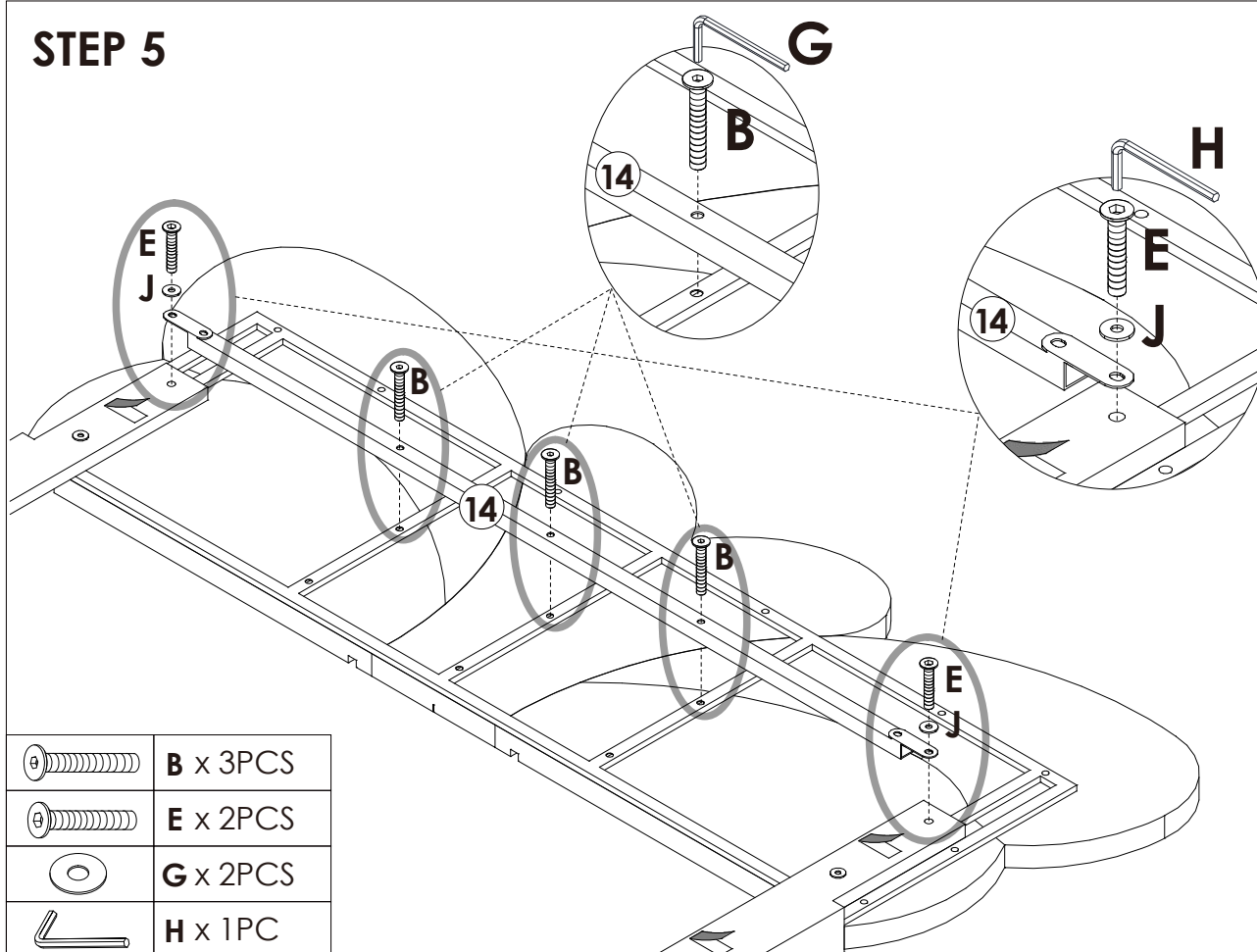
STEP 4

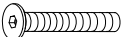
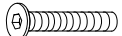




	E x 2PCS
	G x 2PCS
	H x 1PC

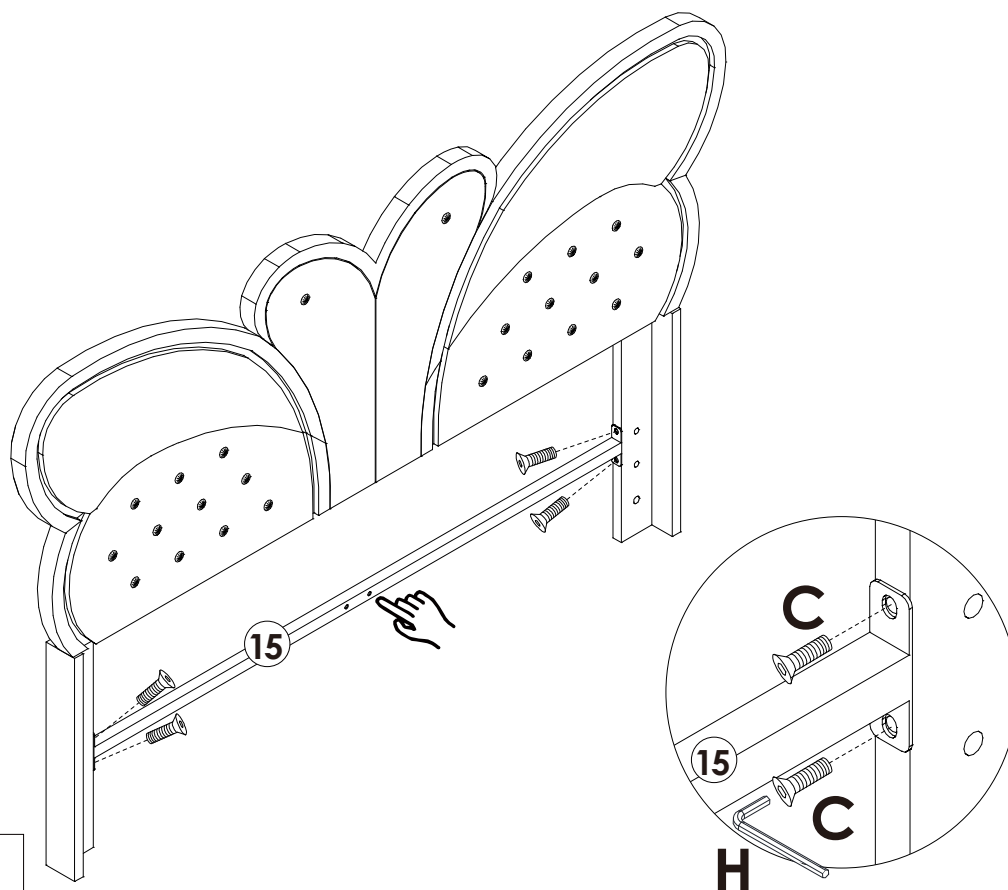
Assembly Steps(EN) / Montageschritte(DE)



STEP 5



	B x 3PCS
	E x 2PCS
	G x 2PCS
	H x 1PC

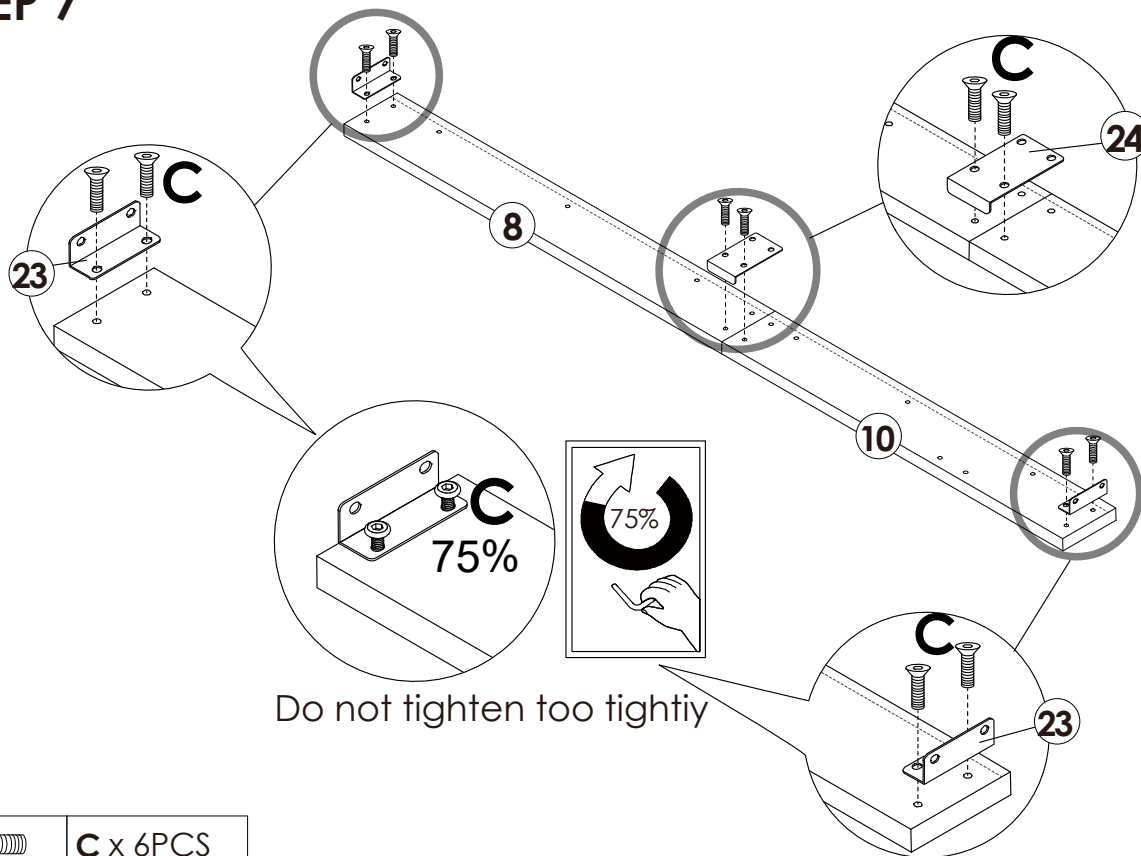
STEP 6





	C x 4PCS
	H x 1PC

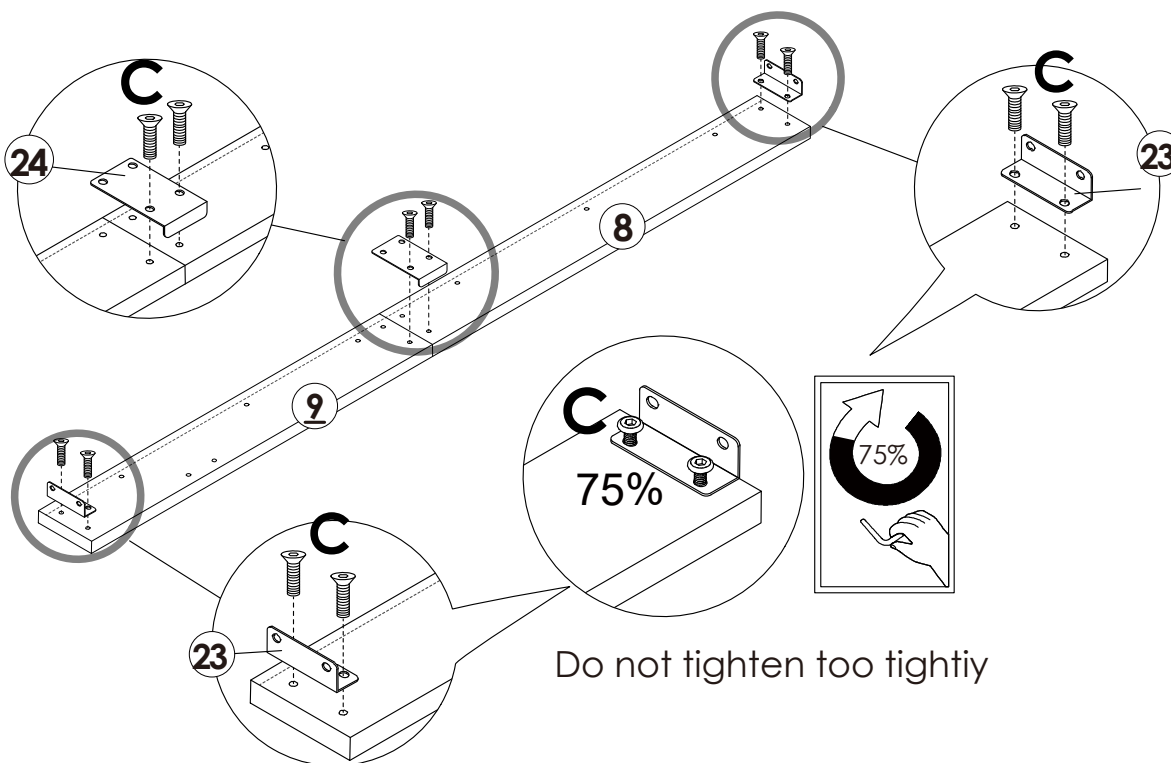
Assembly Steps(EN) / Montageschritte(DE)

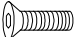

STEP 7



	C x 6PCS
	H x 1PC

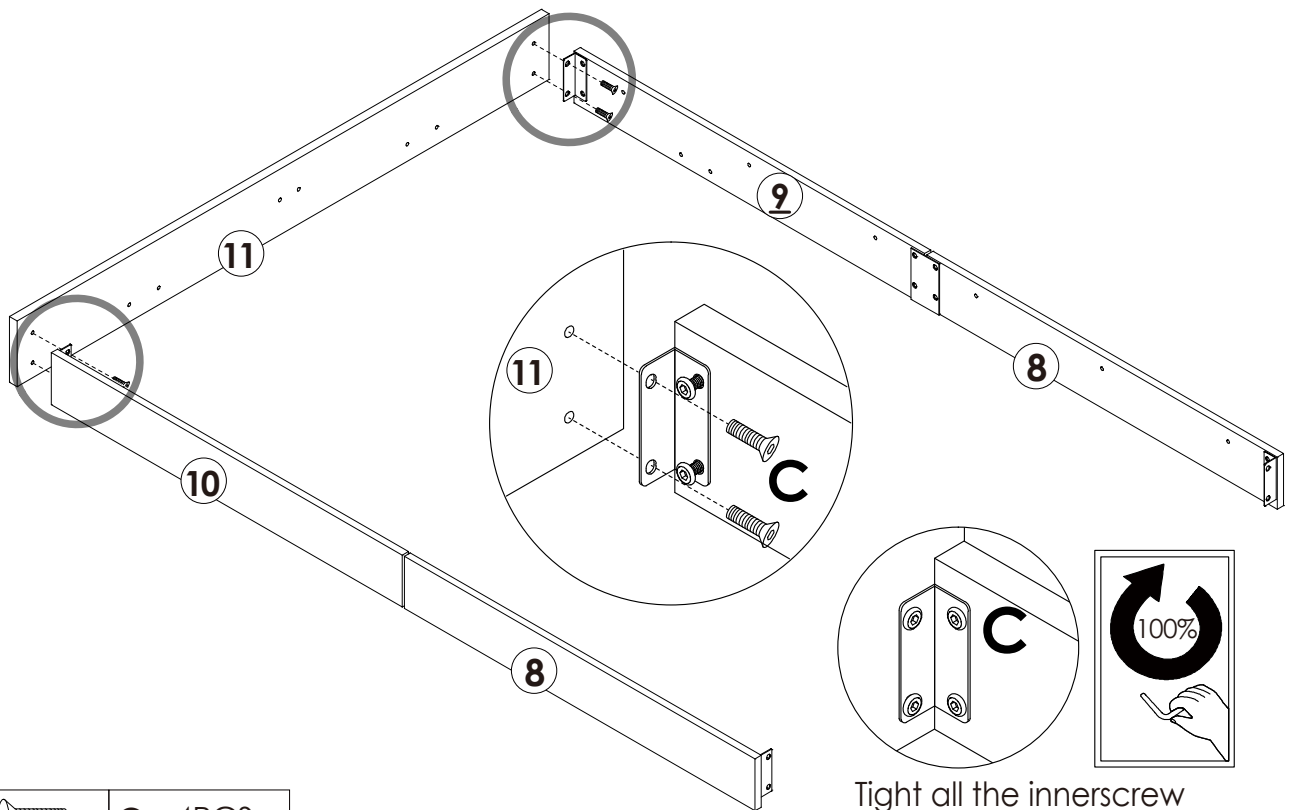
STEP 8





	C x 6PCS
	H x 1PC

Assembly Steps(EN) / Montageschritte(DE)

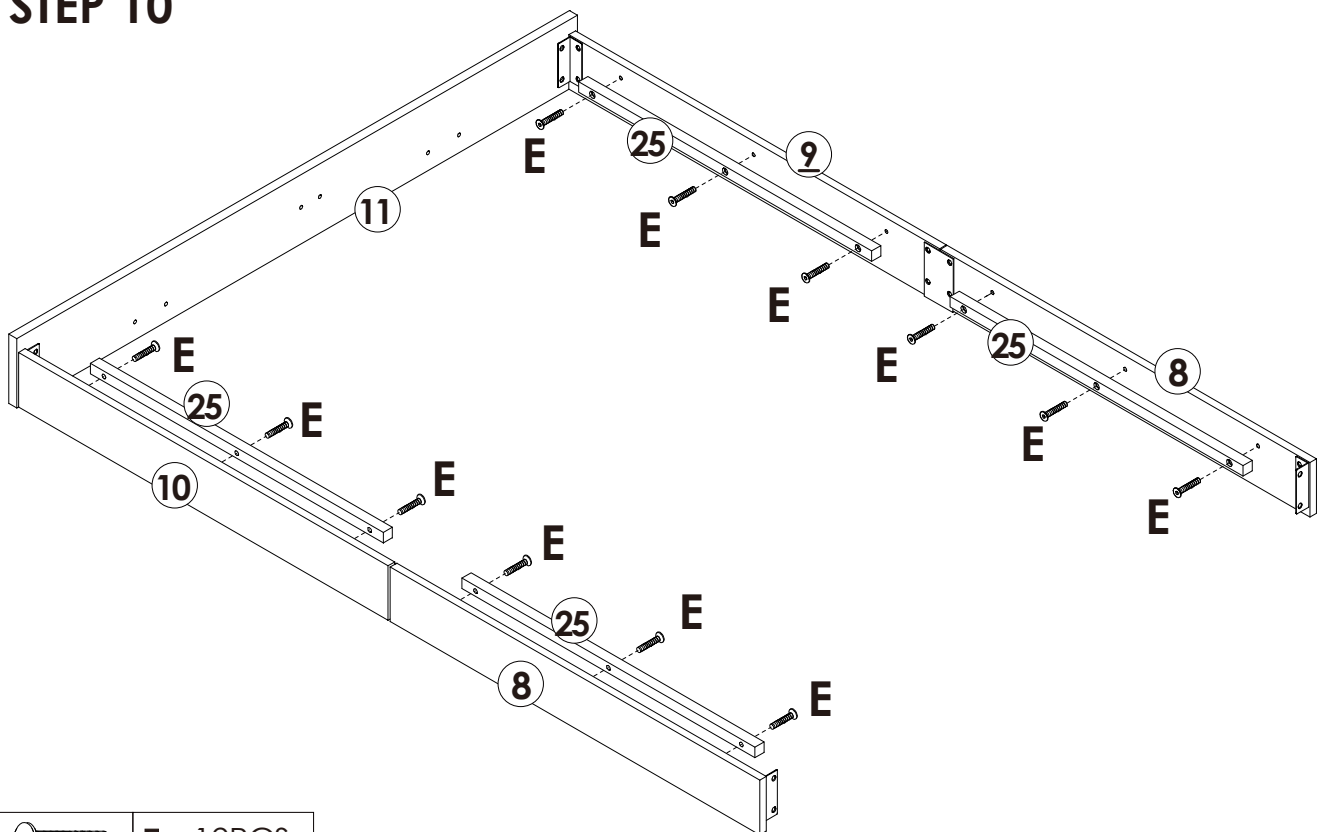
STEP 9





Tight all the innerscrew after all holes are aligned.

	C x 4PCS
	H x 1PC

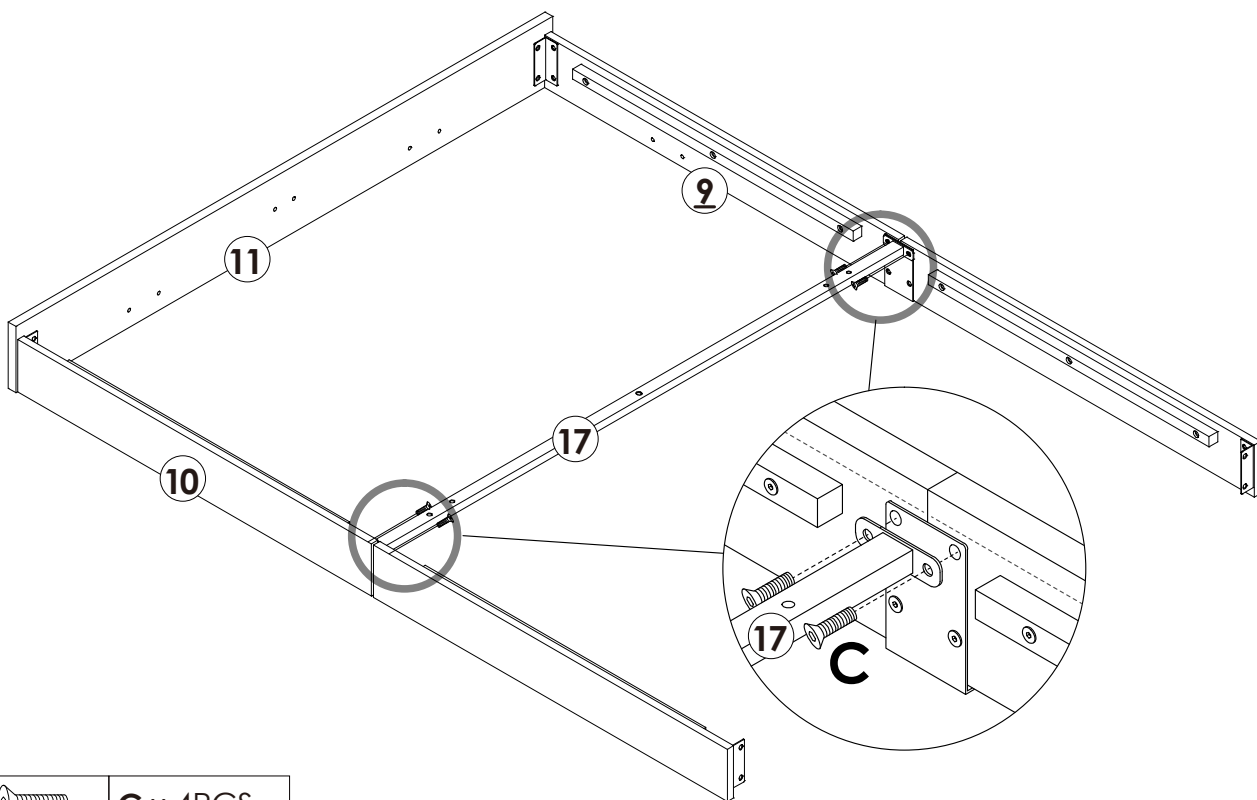
STEP 10





	E x 12PCS
	H x 1PC

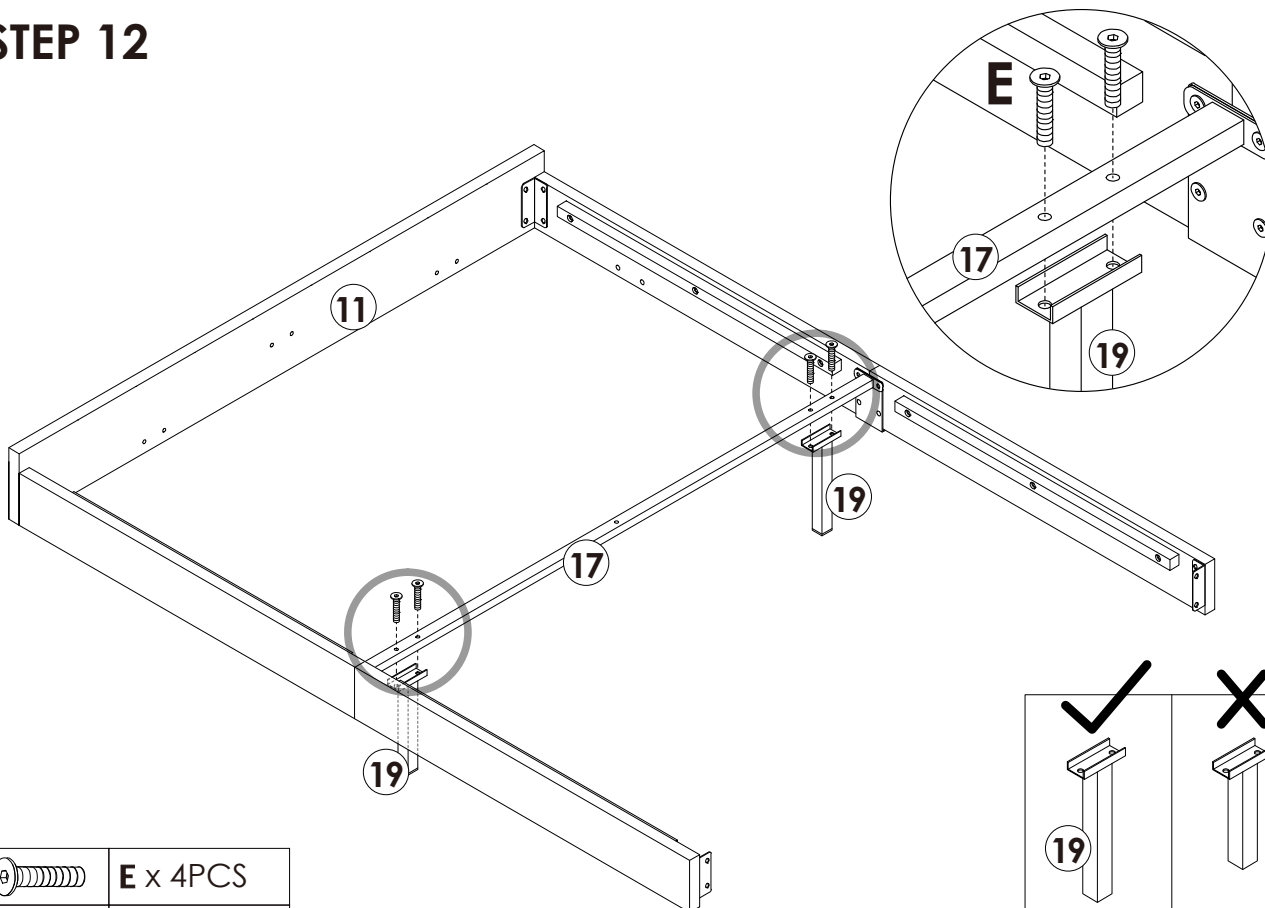
Assembly Steps(EN) / Montageschritte(DE)

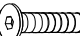

STEP 11

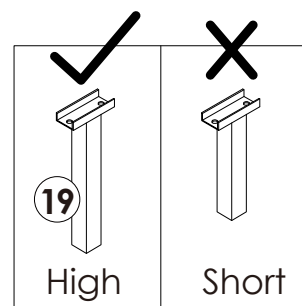


	C x 4PCS
	H x 1PC

STEP 12

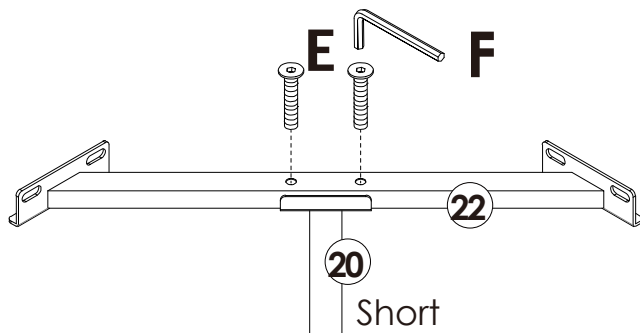


	E x 4PCS
	H x 1PC

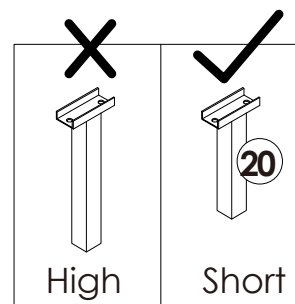




Assembly Steps(EN) / Montageschritte(DE)

STEP 13

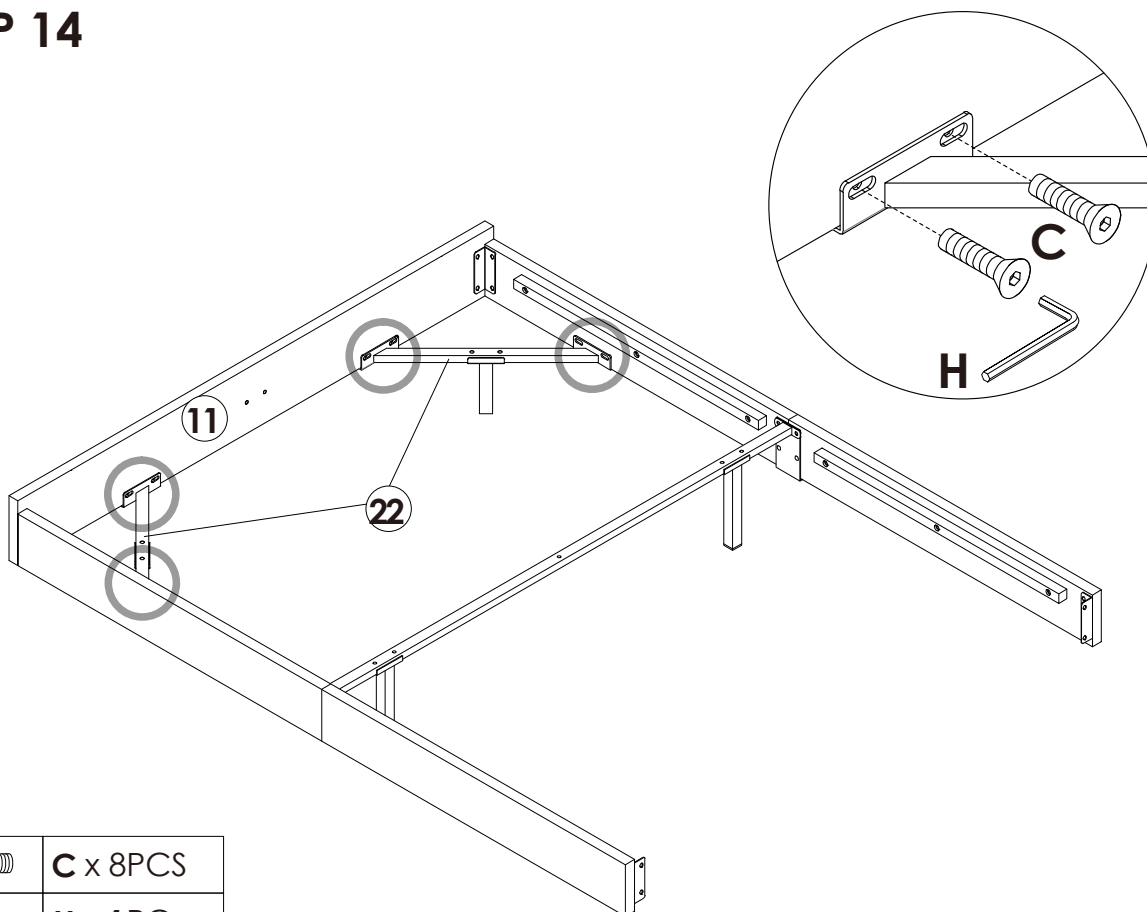


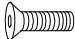

x2



	E x 4PCS
	F x 1PC

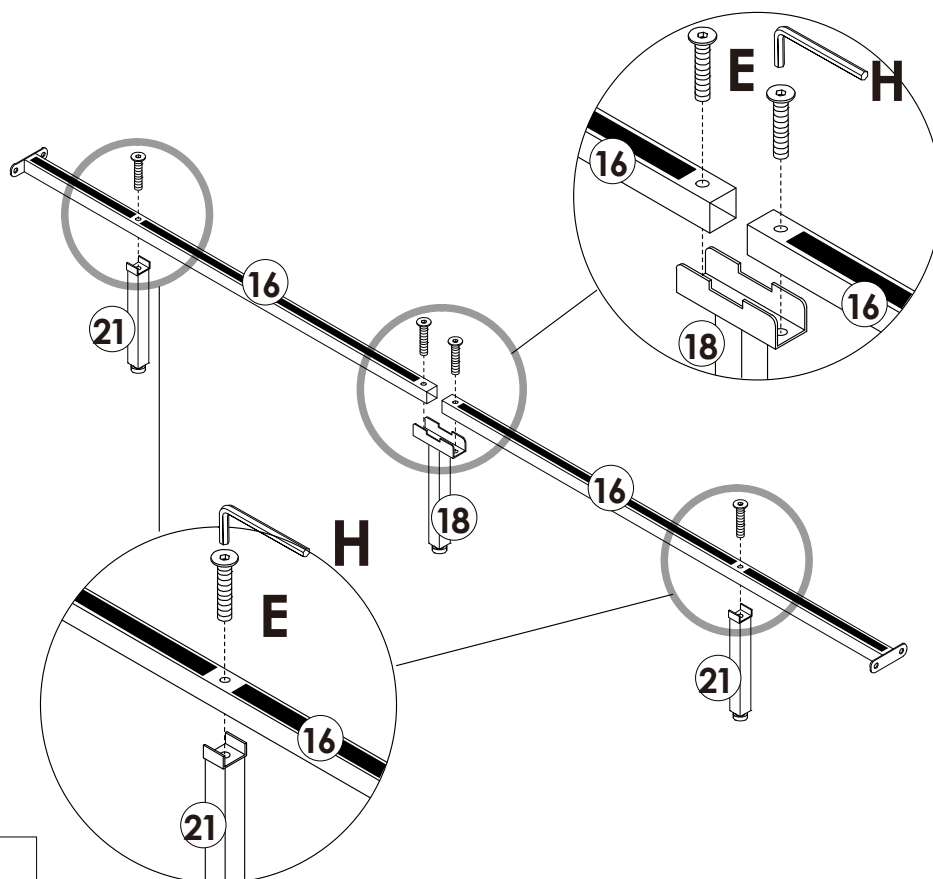
STEP 14





	C x 8PCS
	H x 1PC

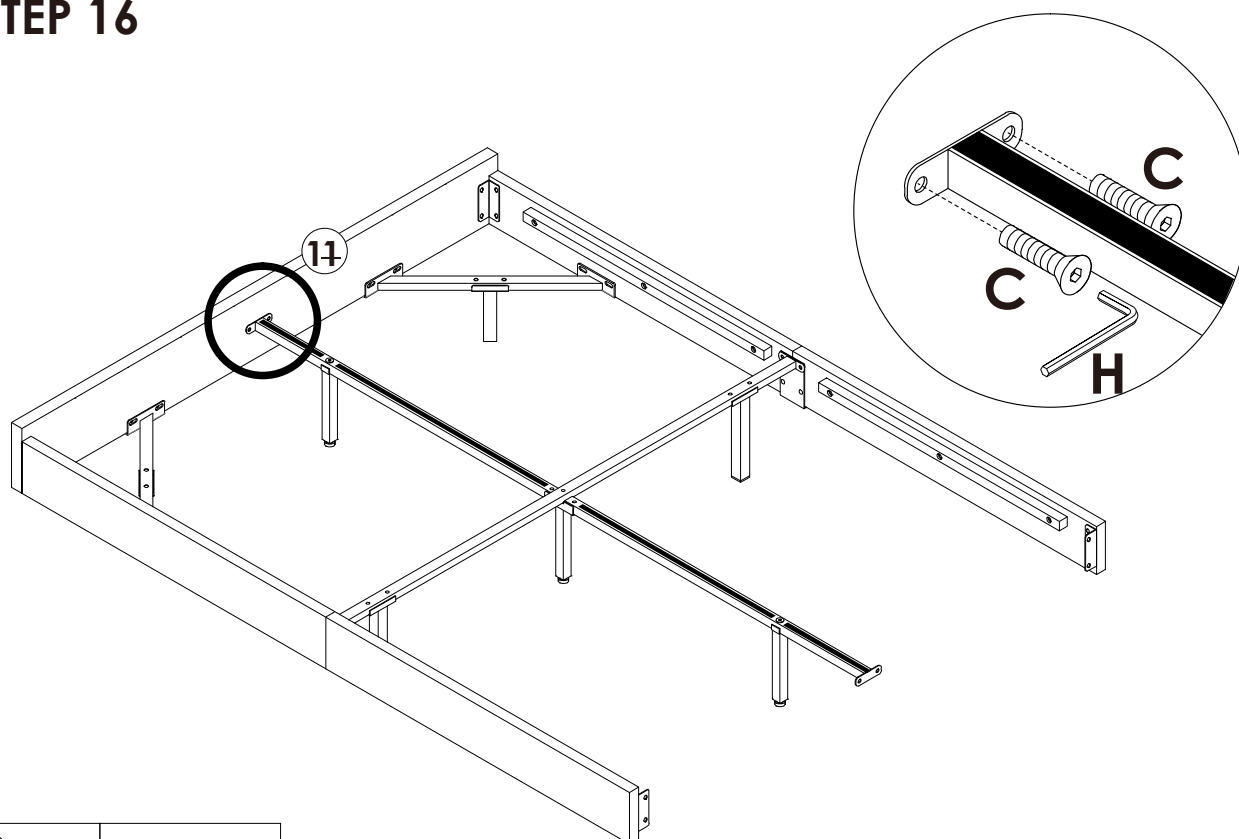
Assembly Steps(EN) / Montageschritte(DE)



STEP 15



	E x 4PCS
	H x 1PC

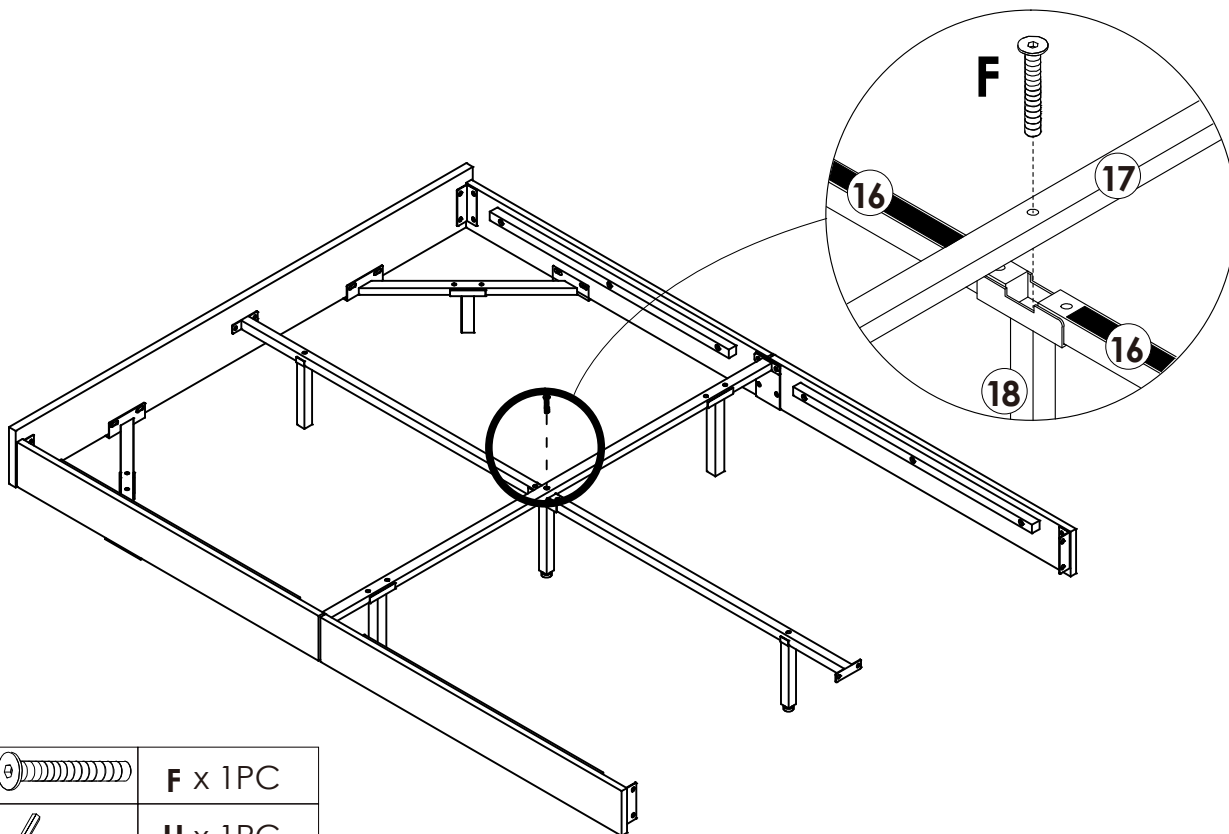
STEP 16

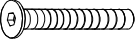



	C x 2PCS
	H x 1PC

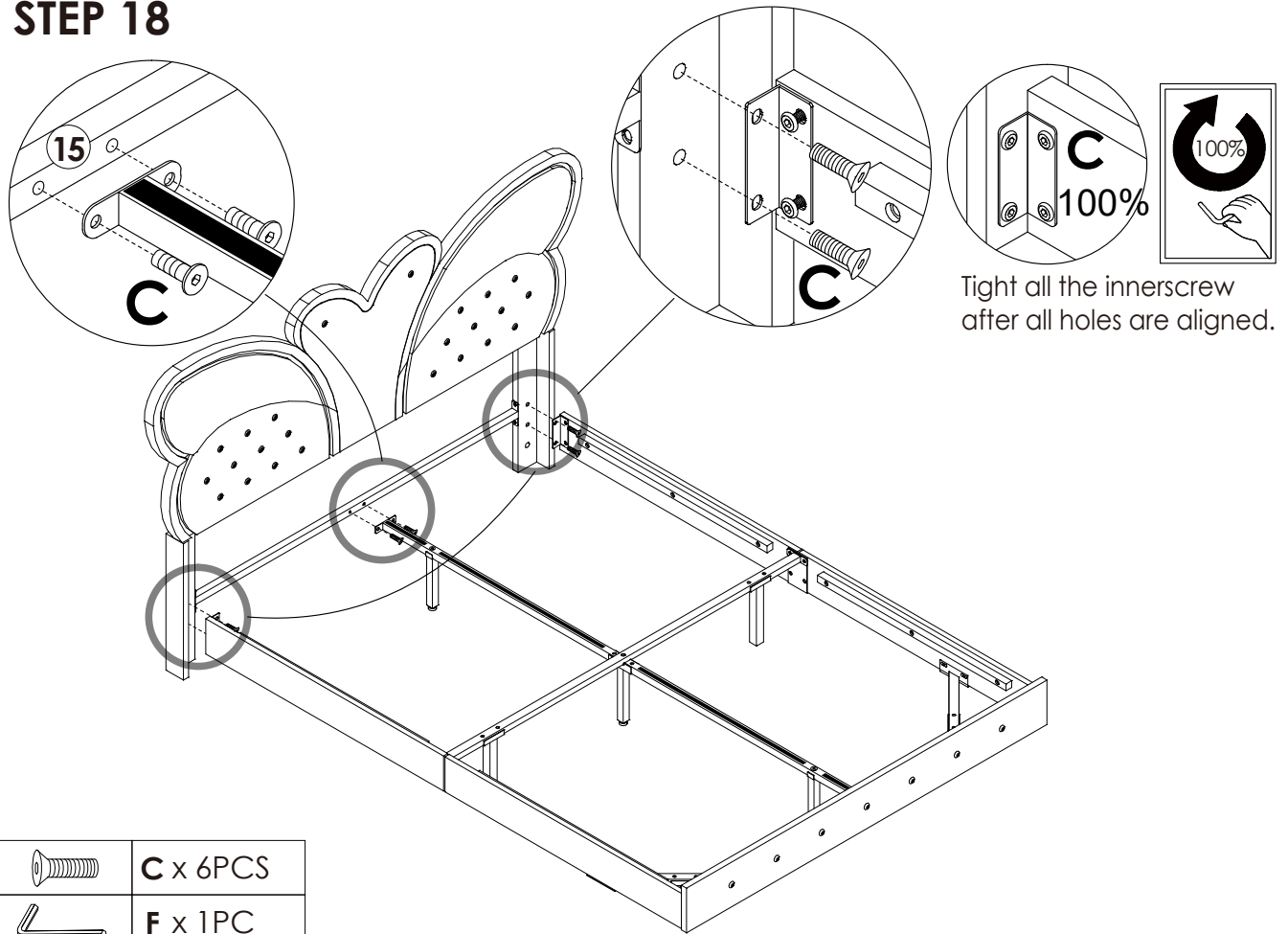
Assembly Steps(EN) / Montageschritte(DE)

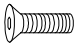

STEP 17



	F x 1PC
	H x 1PC

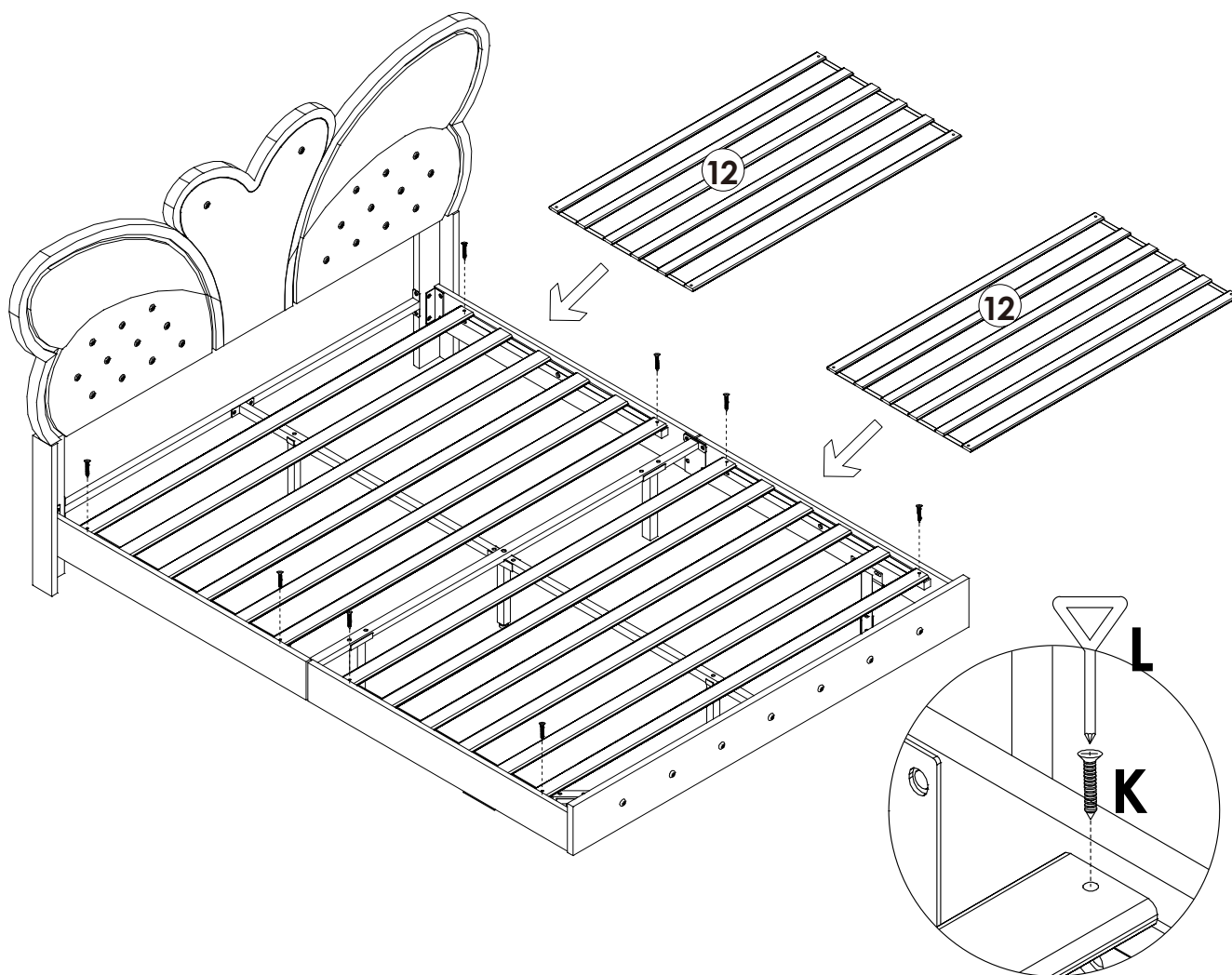
STEP 18


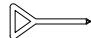


	C x 6PCS
	F x 1PC

Assembly Steps(EN) / Montageschritte(DE)

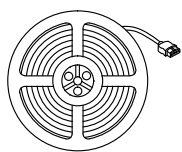
STEP 19



	K x 8PCS
	L x 1PC

Assembly Steps(EN) / Montageschritte(DE)

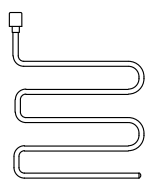
STEP 20



light strip
x3

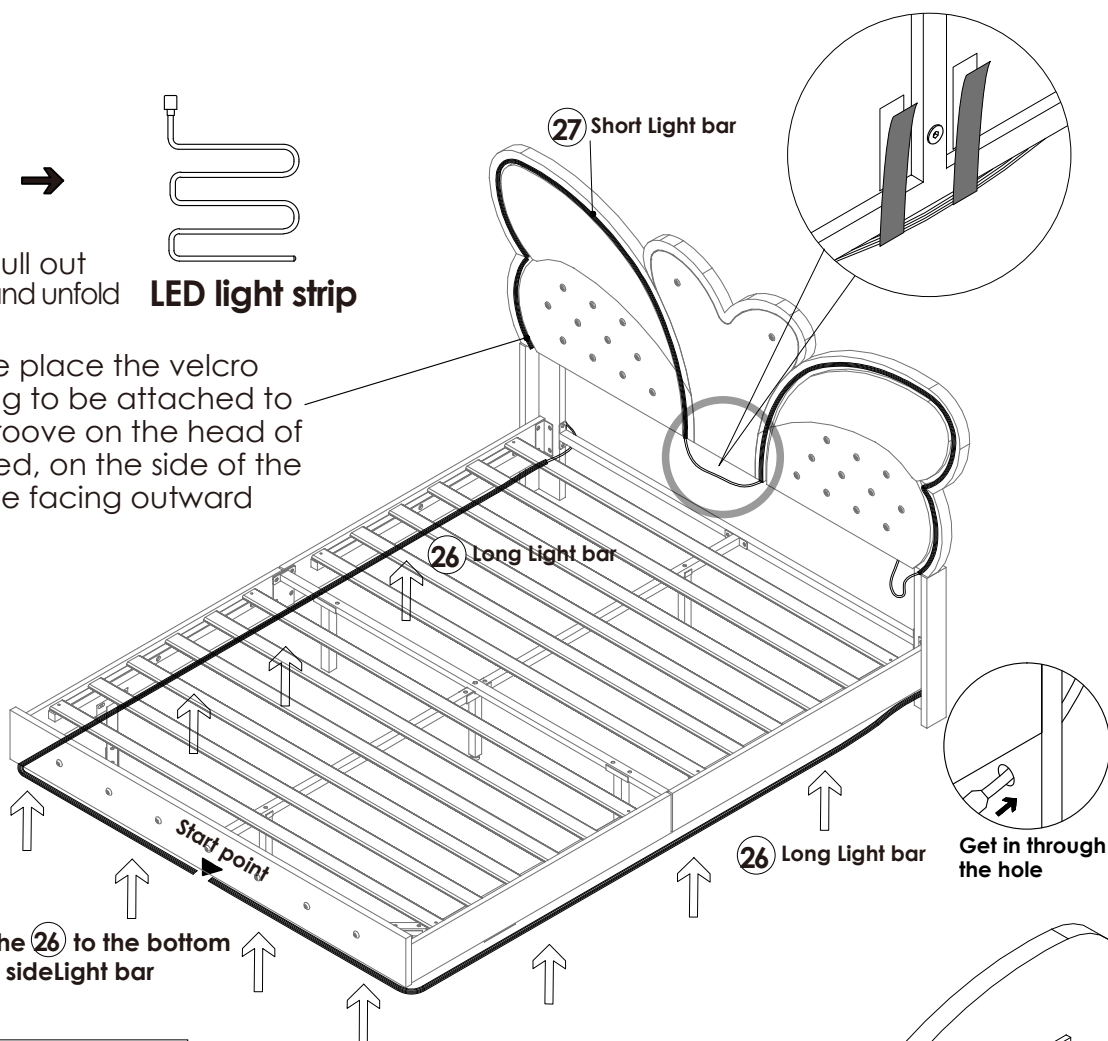


Pull out
and unfold



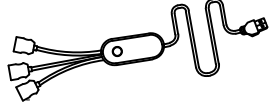
LED light strip

Please place the velcro waiting to be attached to the groove on the head of the bed, on the side of the groove facing outward

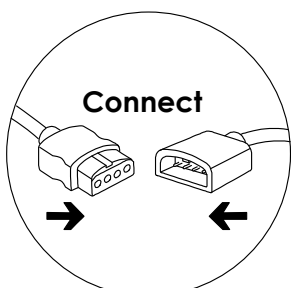


Please fit the 26 to the bottom of the bed sideLight bar

29



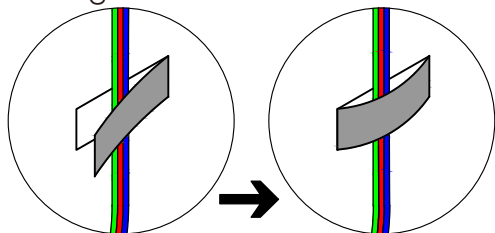
Power cord x1



The arrow should be facing the arrow

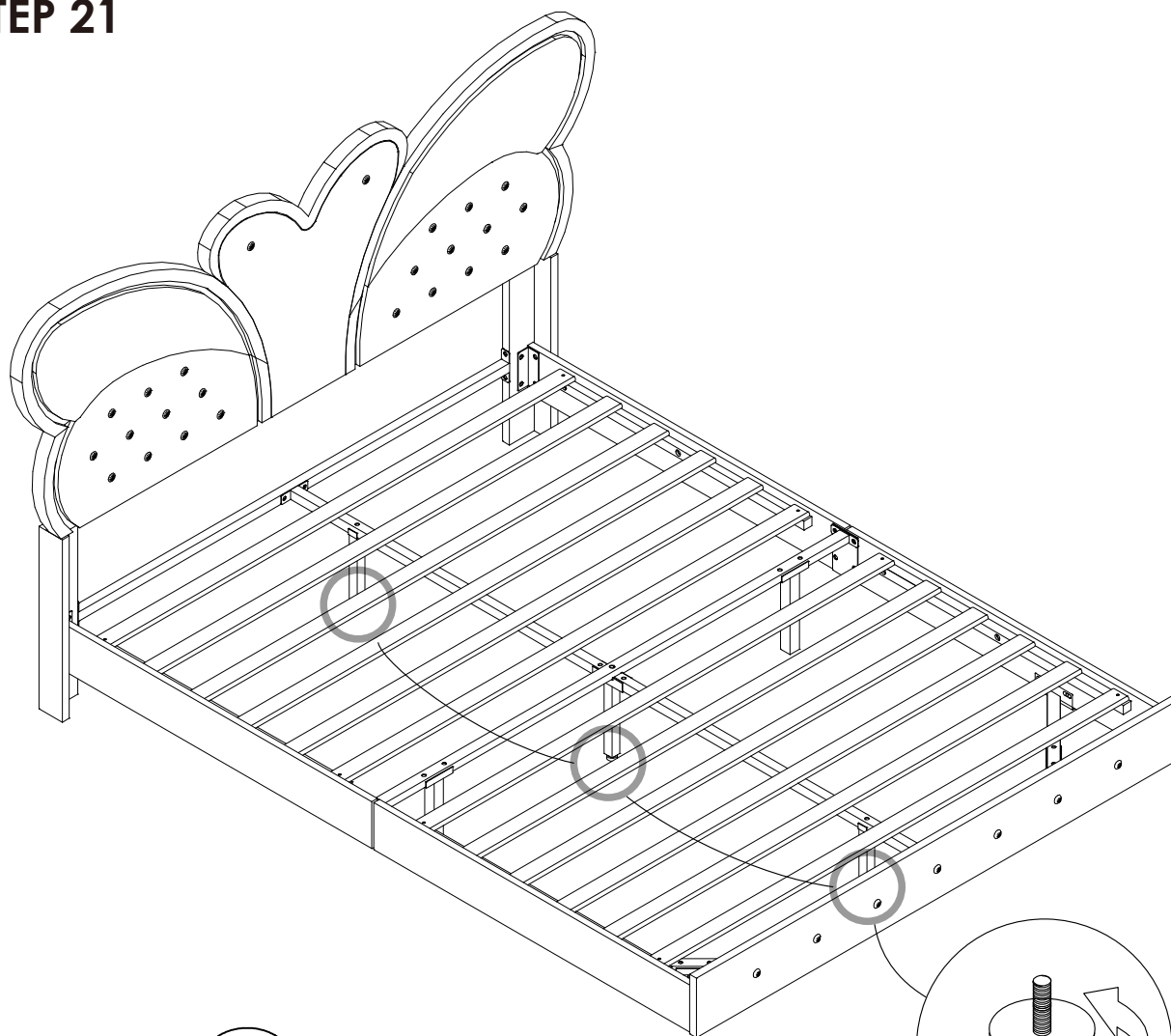
Clip in the harness
Magic Band

Stick to

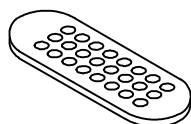


Assembly Steps(EN) / Montageschritte(DE)

STEP 21



28



Remote control

You can use the remote control to control the light. The LED lamp can only be used after the power supply is connected

You can try to turn this foot to adjust if the bed is placed on an uneven floor.

Please scan the QR code on the manual/controller and install the application.

Step1: Please make sure your phone has Bluetooth enabled.

Step2: The LED light will automatically connect to the APP.

