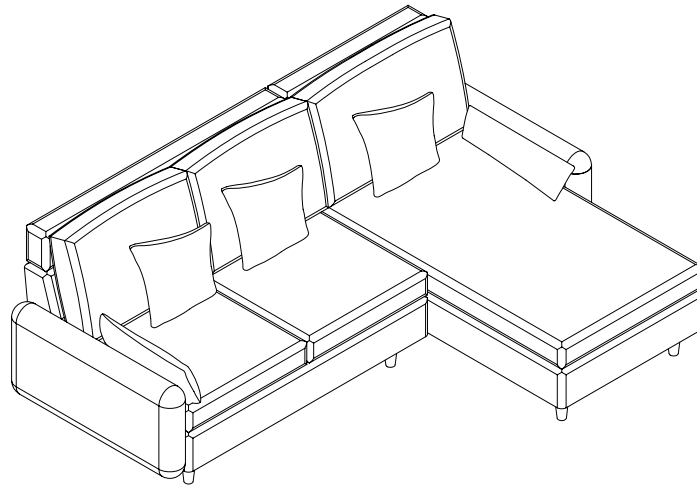
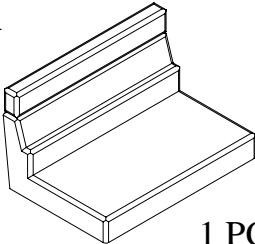
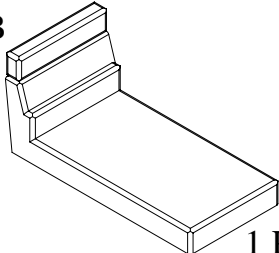
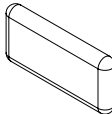
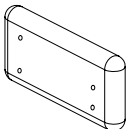
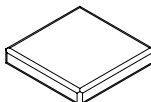
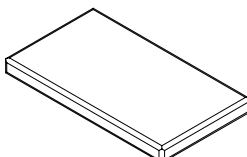
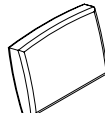
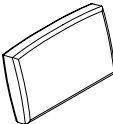


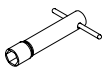





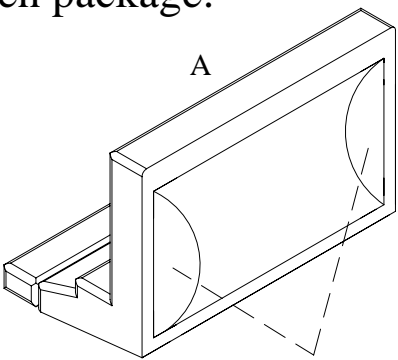
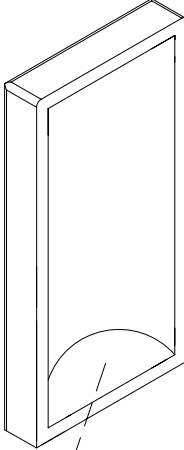



ASSEMBLY INSTRUCTION



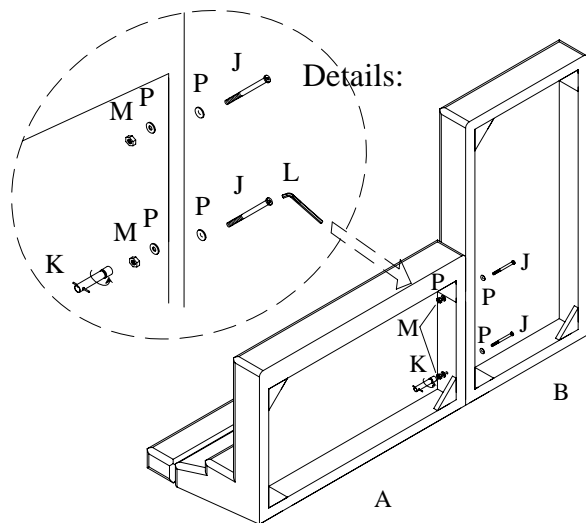
PARTS AND HARDWARE

<p>A</p>  <p>1 PC</p>	<p>B</p>  <p>1 PC</p>	<p>C</p>  <p>1 PC</p>	<p>D</p>  <p>1 PC</p>
<p>E</p>  <p>2 PCS</p>	<p>F</p>  <p>1 PC</p>	<p>G</p>  <p>2 PCS</p>	<p>H</p>  <p>1 PC</p>
<p>I</p>  <p>8 PCS</p>	<p>J</p>  <p>2 PCS</p>	<p>K</p>  <p>1 PC</p>	<p>L</p>  <p>1 PC</p>
<p>M</p>  <p>10 PCS</p>	<p>N</p>  <p>8 PCS</p>	<p>P</p>  <p>12 PCS</p>	<p>Q</p>  <p>2 PCS</p>
<p>Hidden package:</p>  <p>A</p>  <p>B</p>			<p>R</p>  <p>3 PCS</p>

Please take out 2 long pillows, and 2 square pillows from bottom of couch.
1 square pillow from bottom of chaise

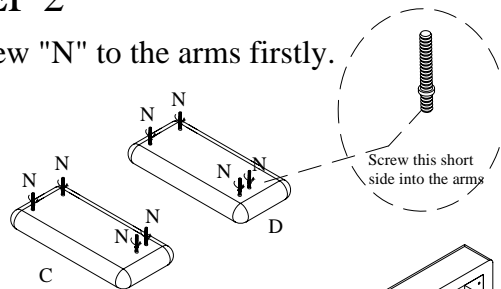
STEP 1

Put a washer "P" to Screw "J", Insert it from chaise seat frame into couch seat frame, put the washer, then tighten the nut with wrench.

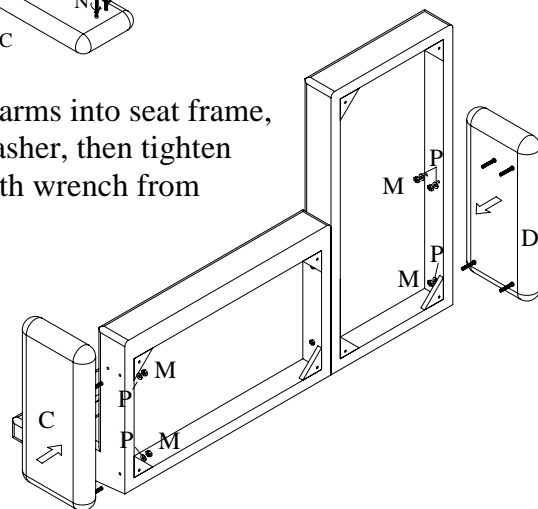


STEP 2

Screw "N" to the arms firstly.

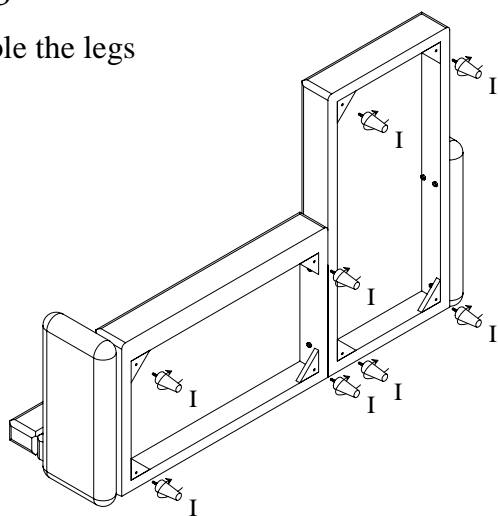


Insert the arms into seat frame, Put the washer, then tighten the nut with wrench from inside.



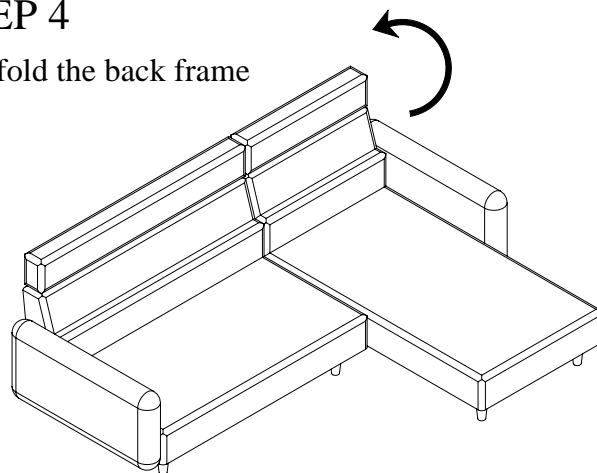
STEP 3

Assemble the legs



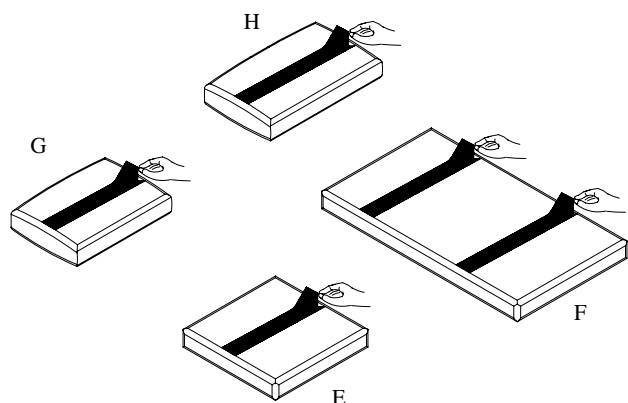
STEP 4

Unfold the back frame



STEP 5

Remove the black strips on seat cushion and back cushion.



Put the cushions on sofa, press them to stuck with the velcro.

