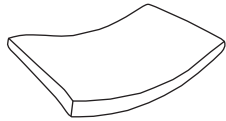
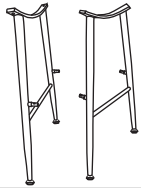


Assembly Instruction-5036L

A X1



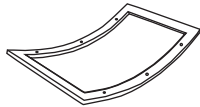
B X2



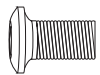
C X2



D X1

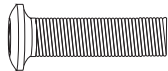


E X4



M6X 10mm

F X6



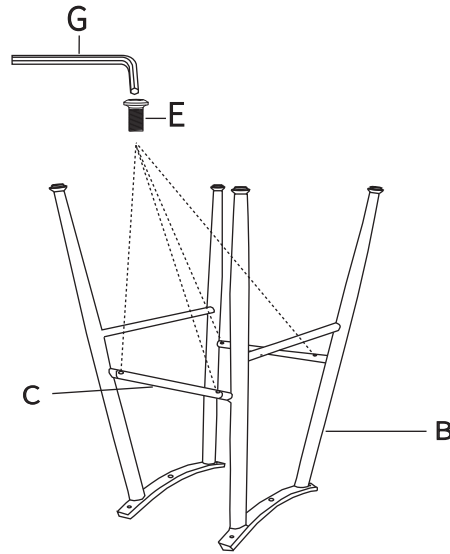
M6X 30mm

G X1

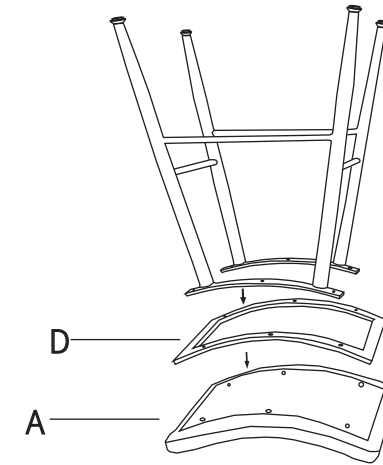


Spanner

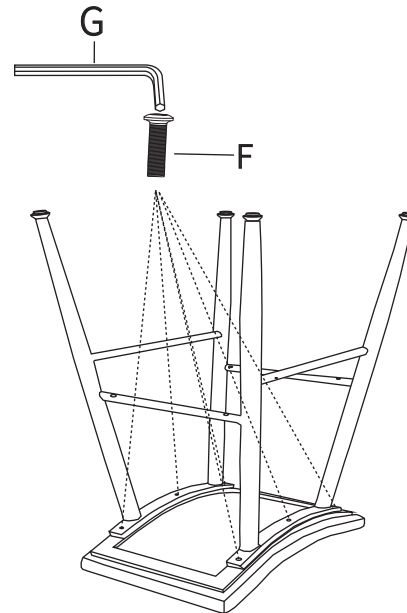
Step 1



Step 2



Step 3



Finish

