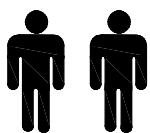
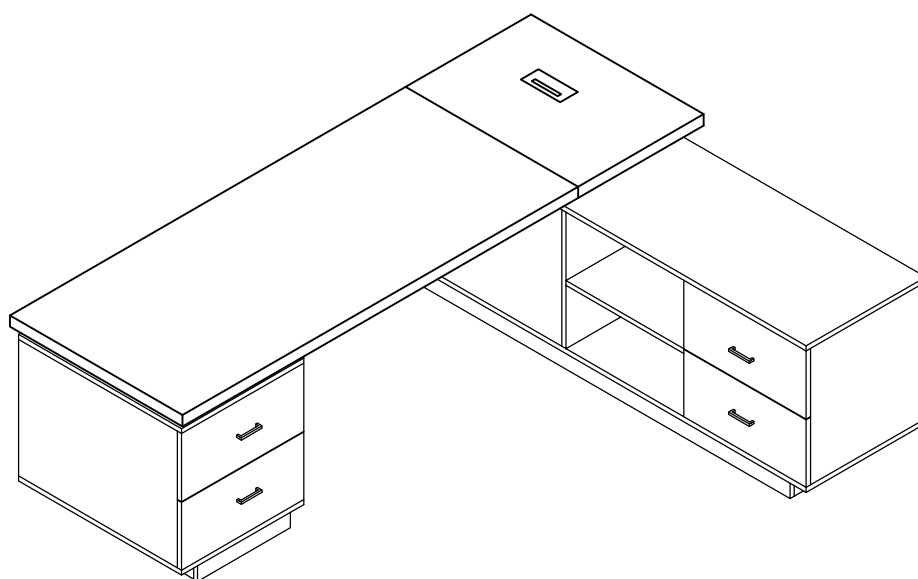
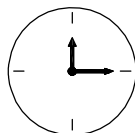


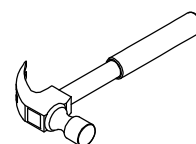
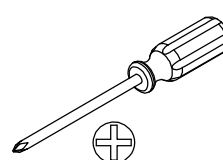
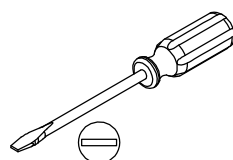
Procedure for installing the right hand cabinet

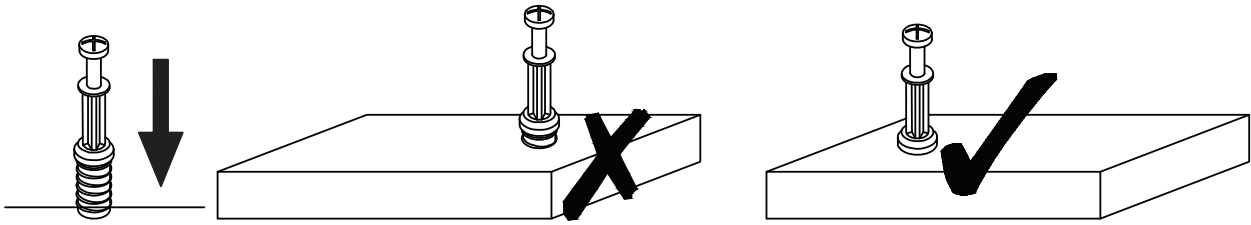


1 PERS.

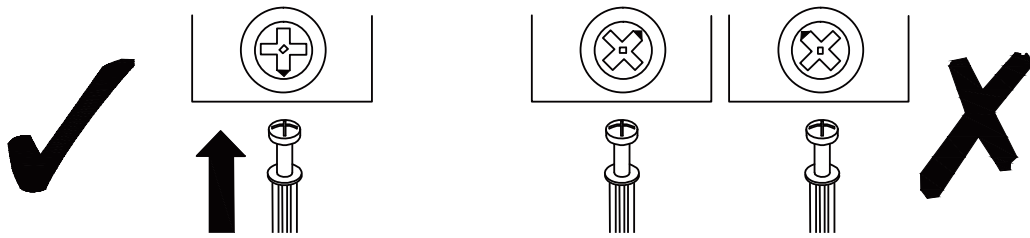


60 MIN

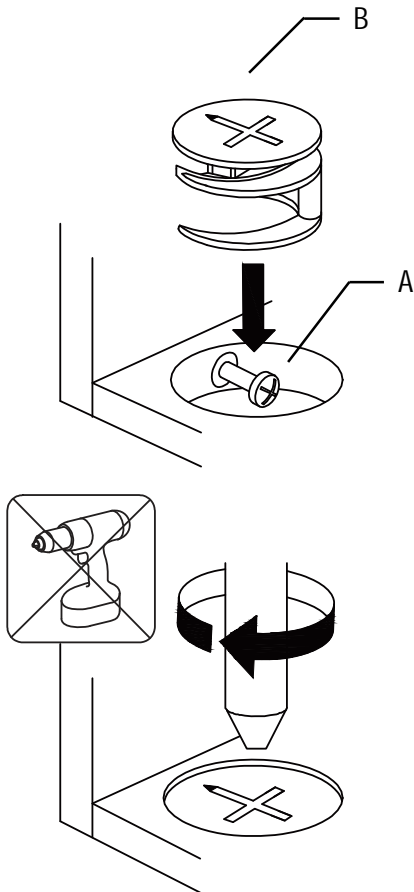




When inserting screw A into the screw hole, it should be perpendicular to the panel and hammered into the shoulder position with a small hammer, taking care not to be too tight or too loose

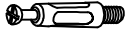






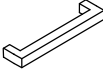
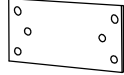


When screw A and screw B are connected, refer to the example for the correct starting position of B

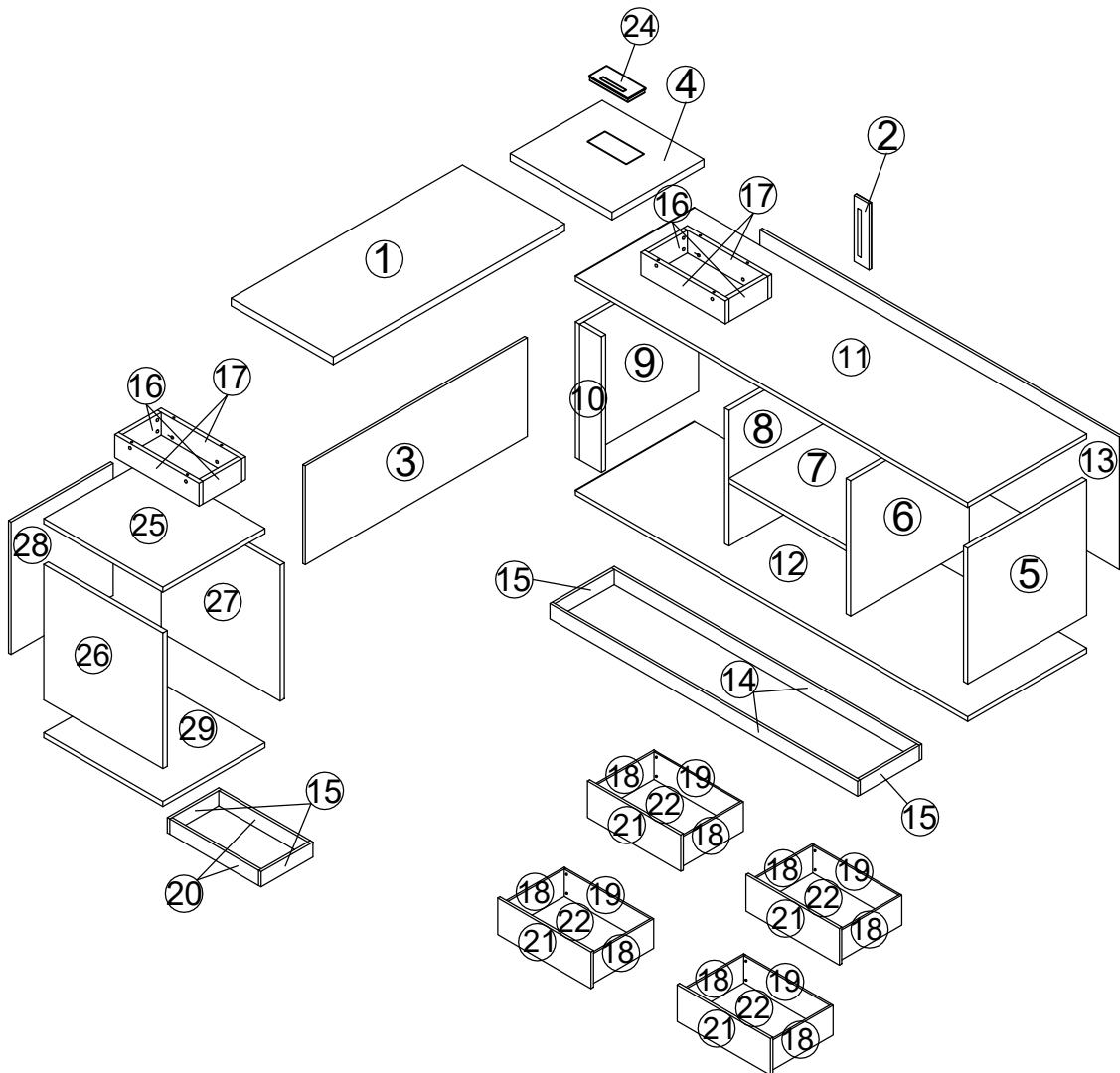


When the two panels are linked through A and B, pay attention to: A screw needs to be inserted into the slot of B card, adjusted to the correct position, and then rotated clockwise to lock (the two panels can be linked tightly).

Hardware list

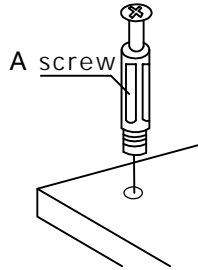
<p>A</p> 	<p>B</p> 	<p>C</p> 	<p>D</p> 	<p>G</p> 
<p>H</p> 	<p>I</p> 	<p>J</p> 	<p>K</p> 	

Component composition



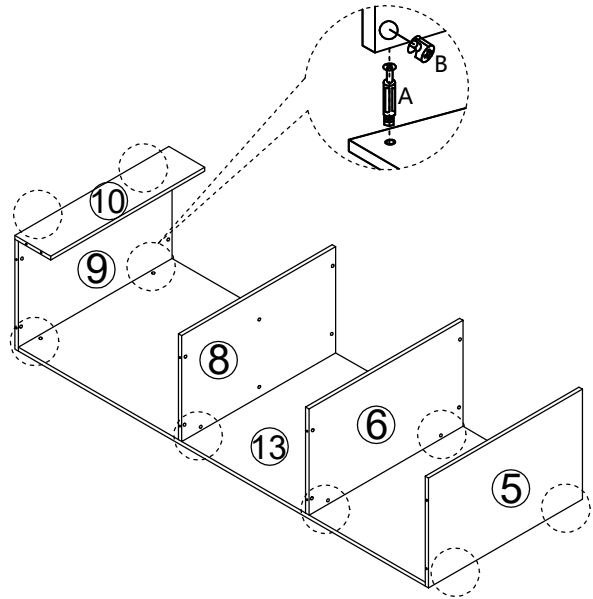
procedure

1



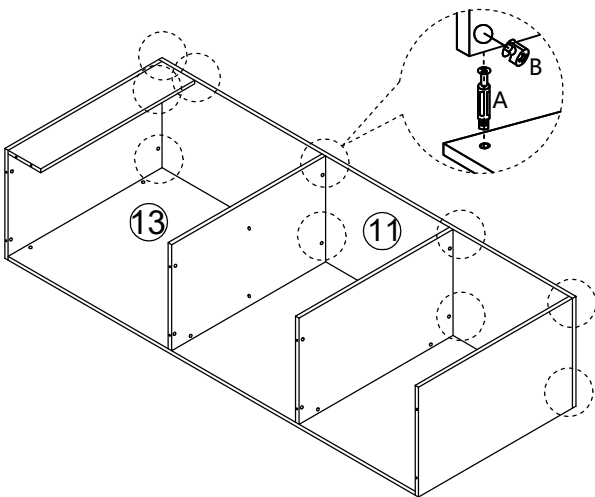
It is recommended to drive A screw into the board with a screw hole first

2



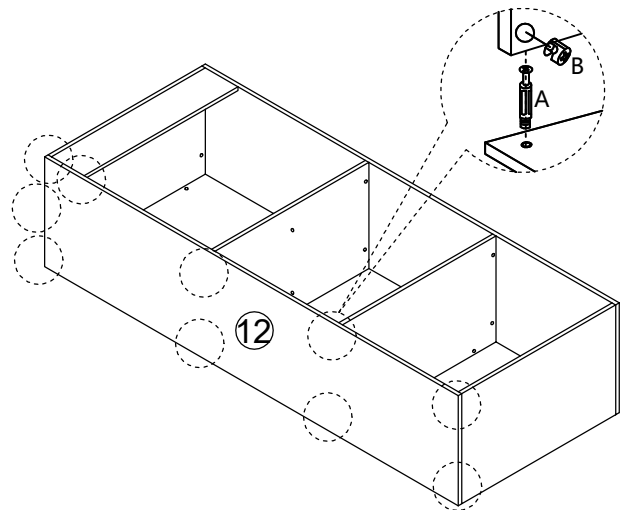
Assemble partitions and backs of sub-cabinets

3



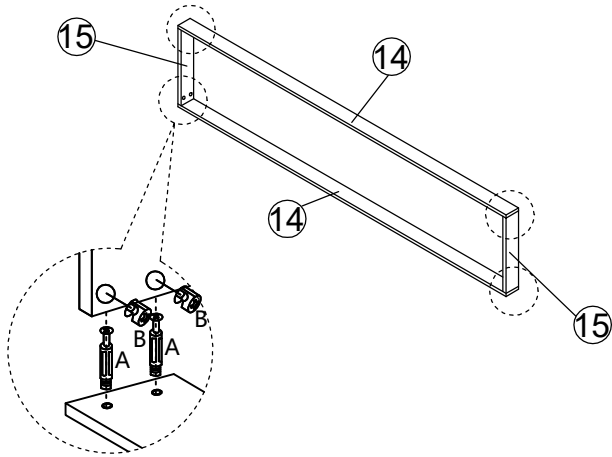
Install the top of the side cabinet

4



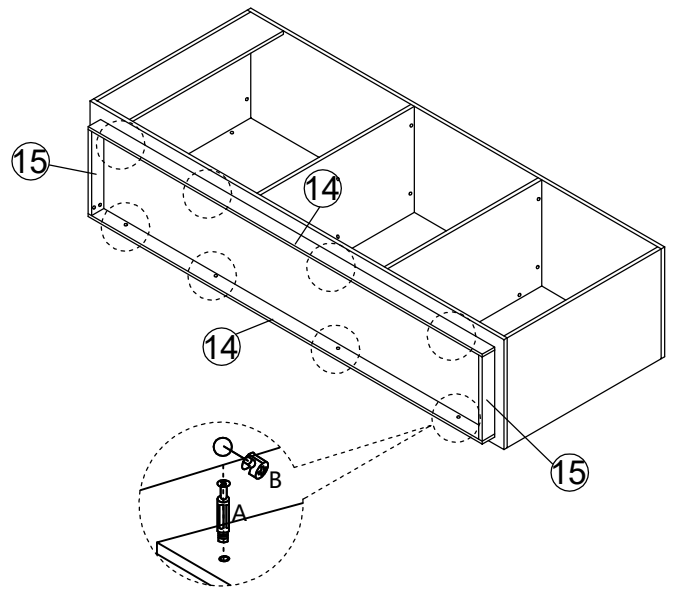
Install the bottom of the side cabinet

5



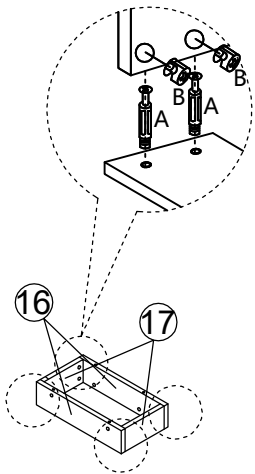
Assemble side cabinet bottom frame

6



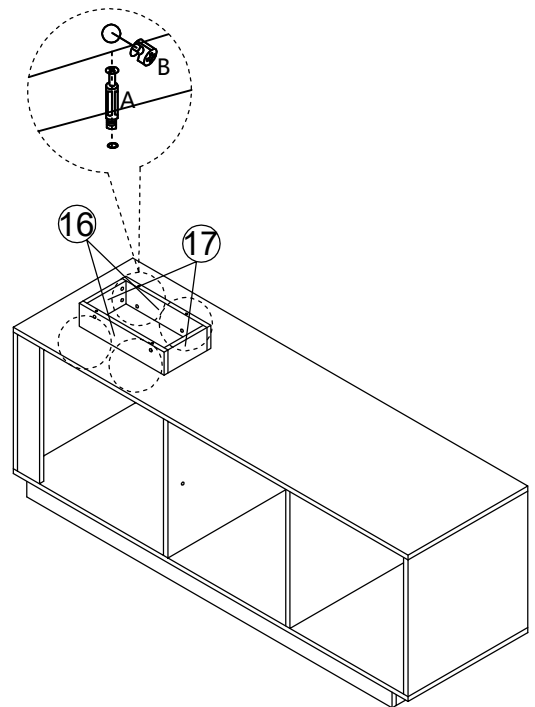
Install the bottom frame of the side cabinet

7



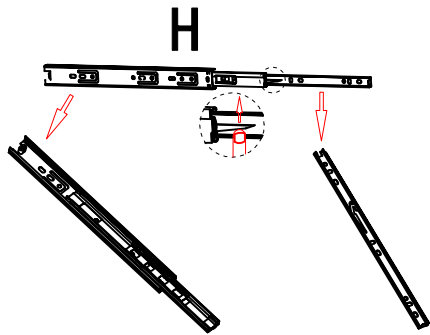
Assemble side cabinet top frame

8



Mount the frame on the side cabinet

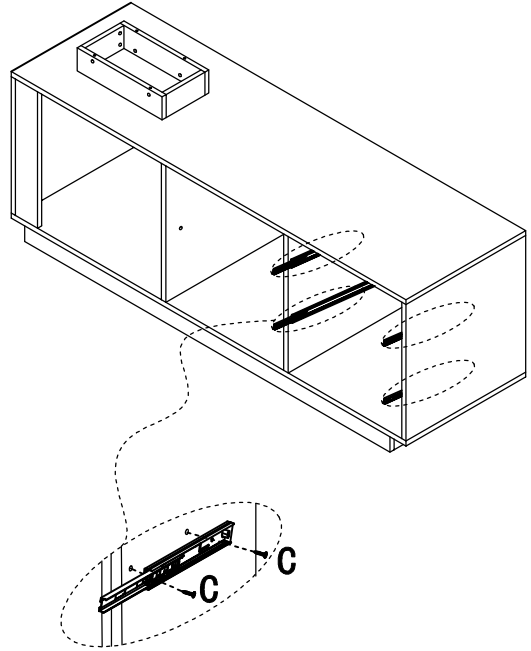
9



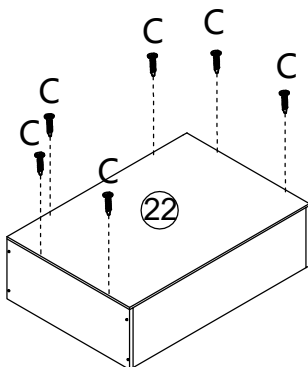
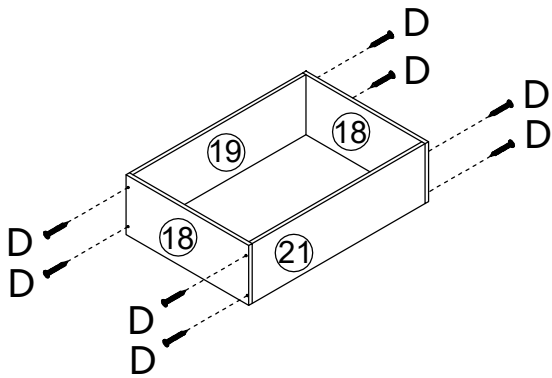
How the tracks are connected

10

Install the track in the side cabinet

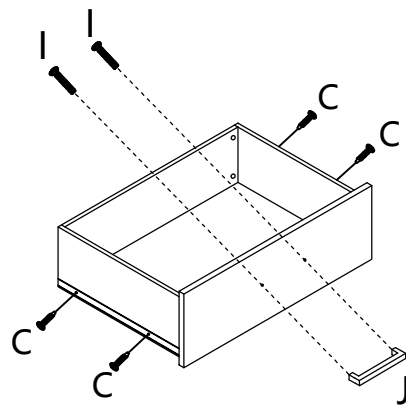


11



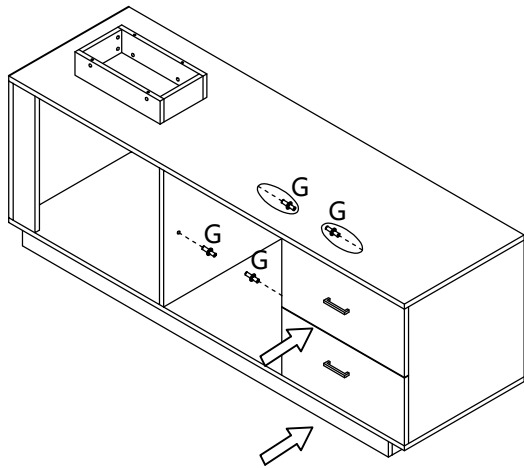
Assemble drawer frame and bottom

12



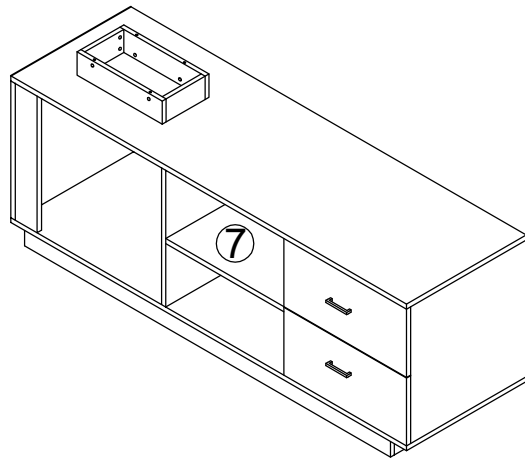
Mount the track on the side of the drawer
Mount the handle on the panel

13



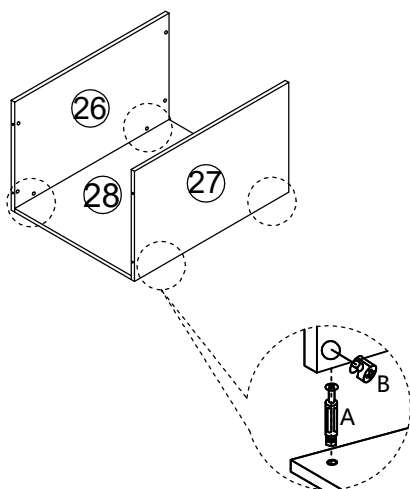
Mounting Part G

14



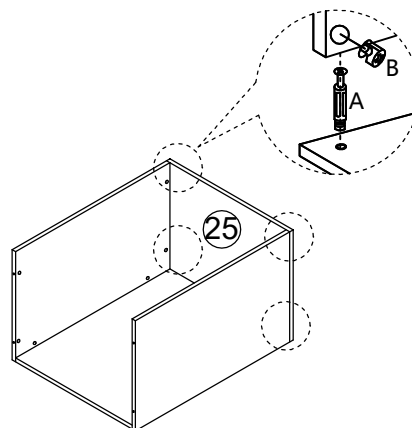
Install the divider above G

15



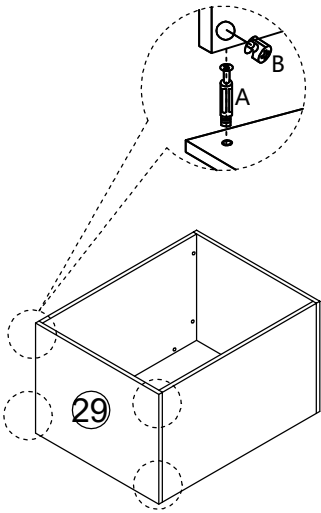
Assemble small side cabinet sides and backs

16



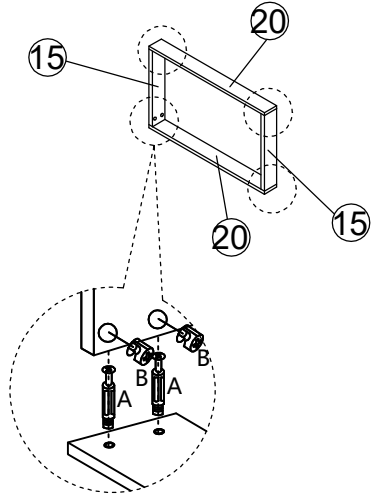
Assemble small side cabinet top

17



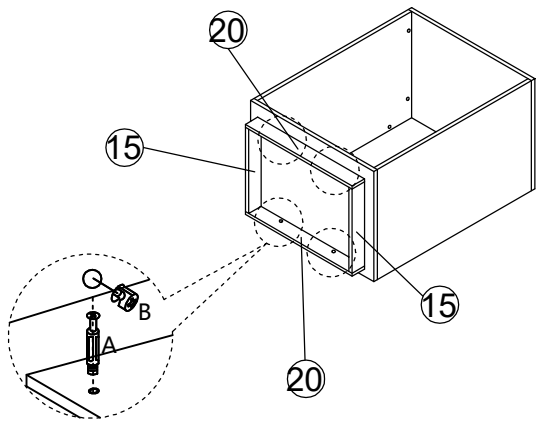
Assemble small side cabinet bottom

18



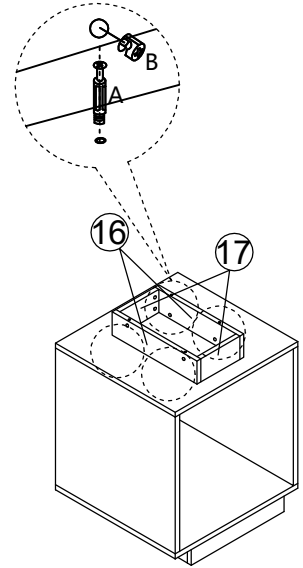
Assemble small side cabinet bottom frame

19



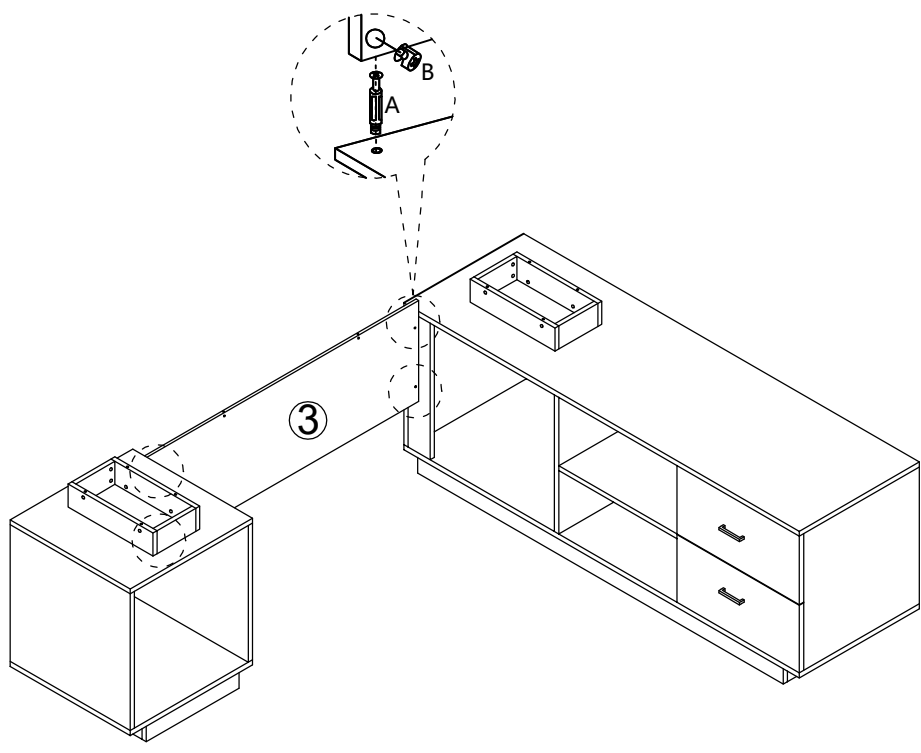
Install the frame at the bottom

20



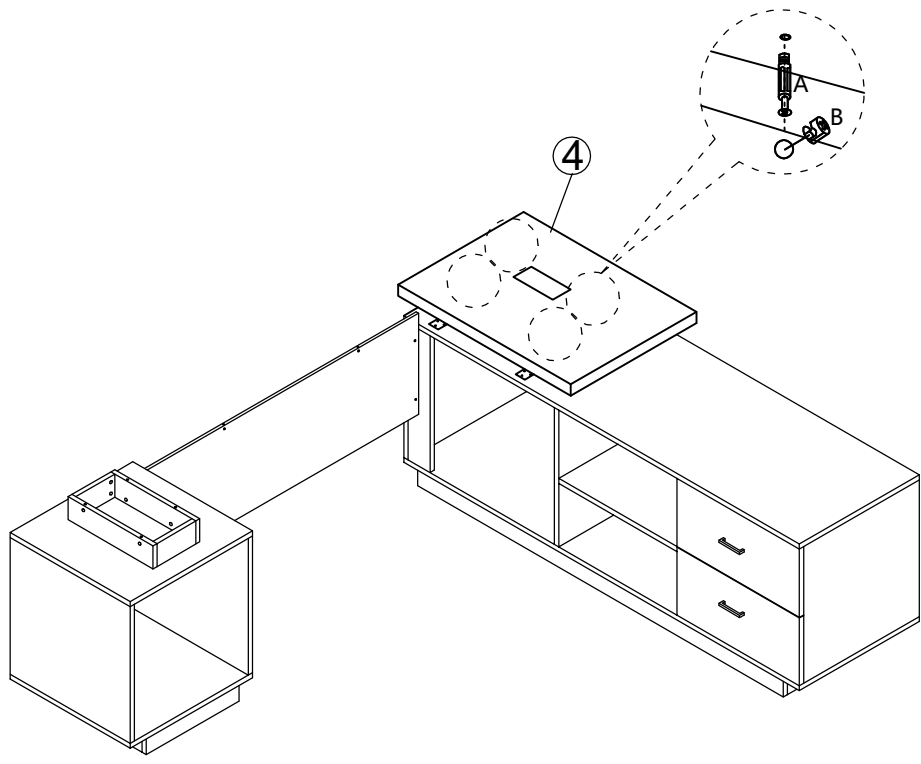
Mounting top frame

21



Link the front baffle to the side cabinet and small side cabinet

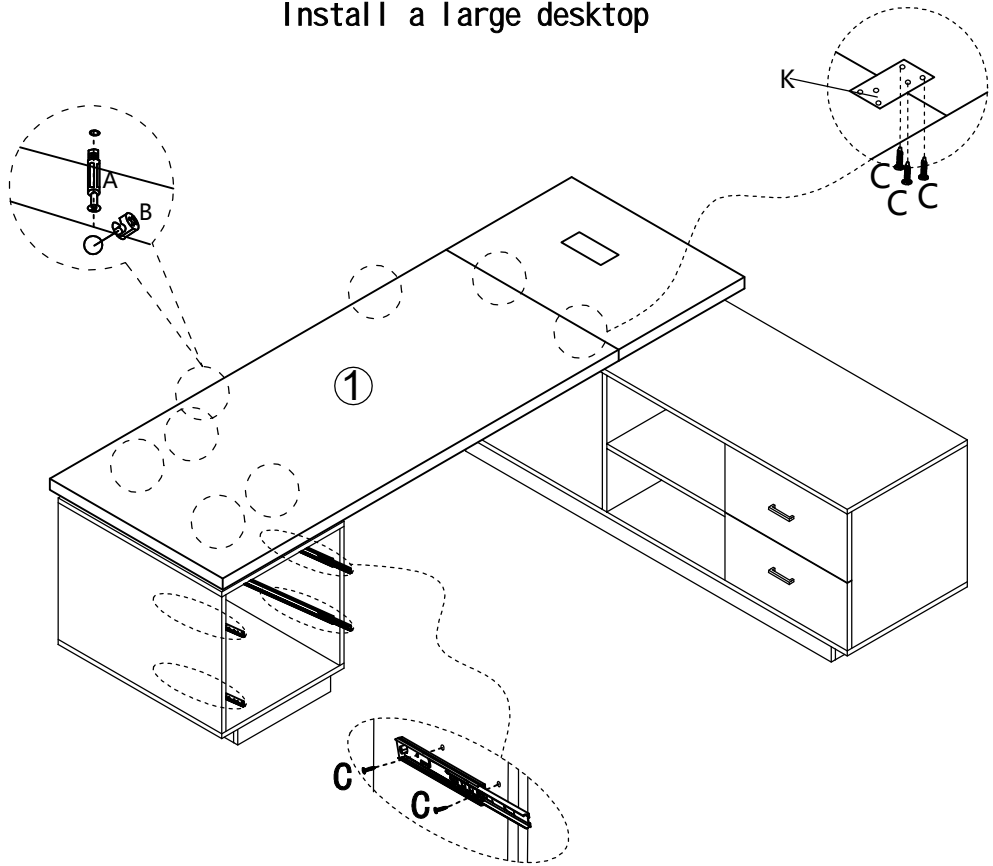
22



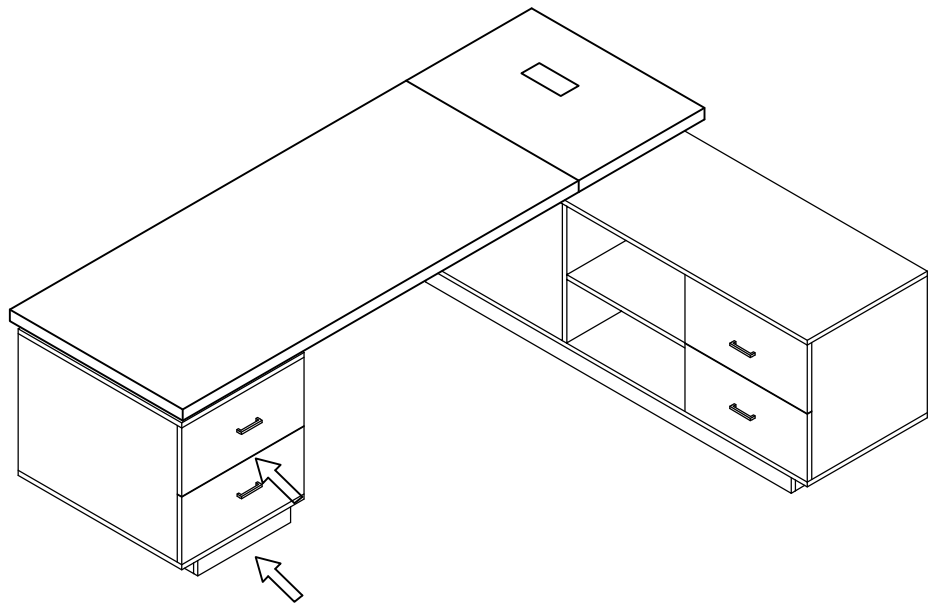
Install a small piece of desktop

23

Install a large desktop

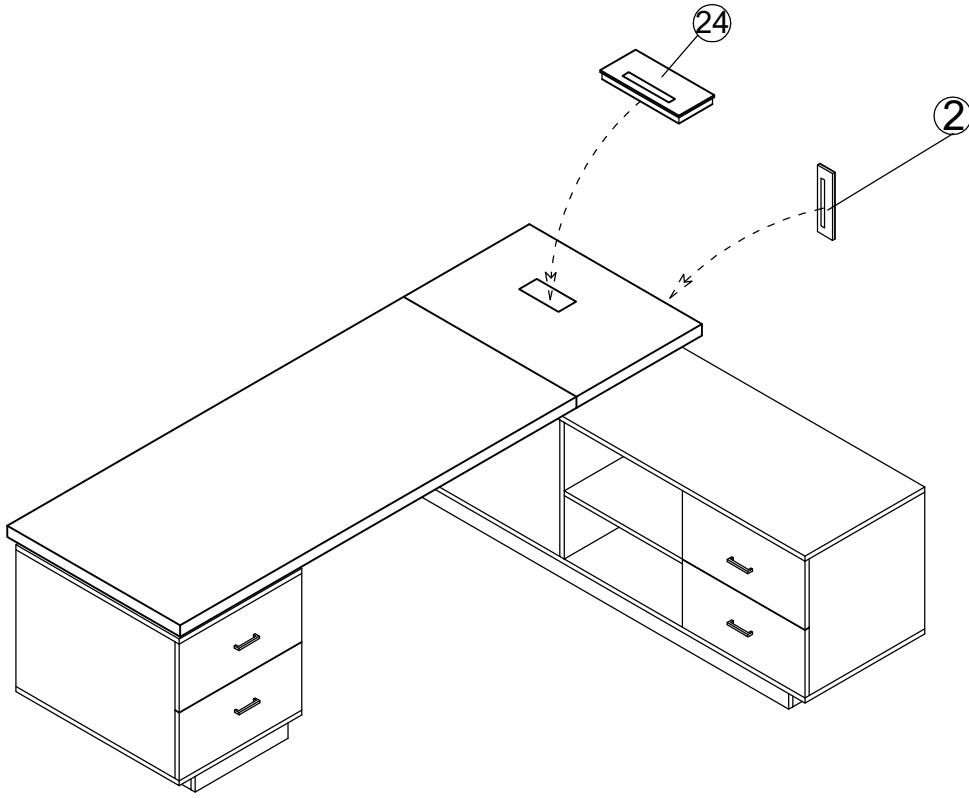


24



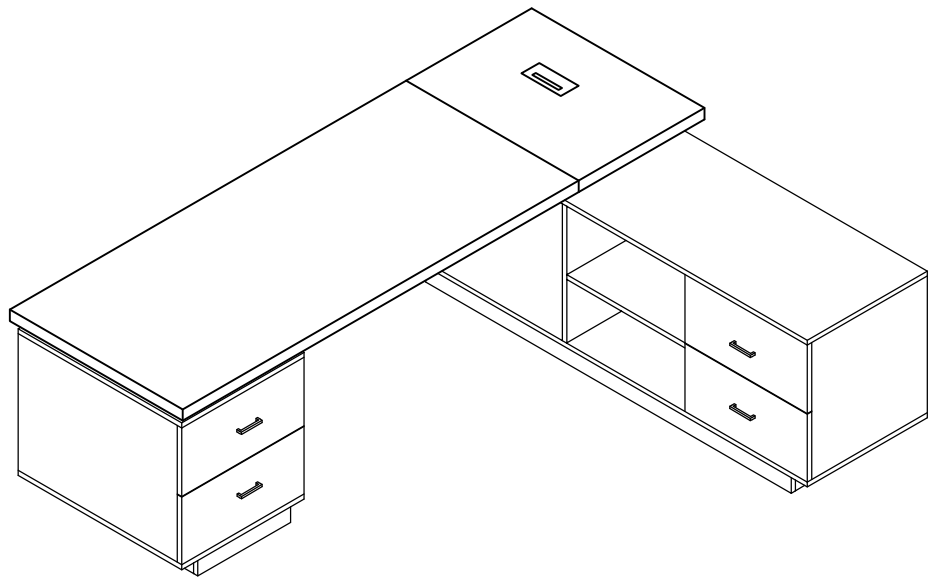
Install drawers on side cabinets

25



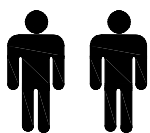
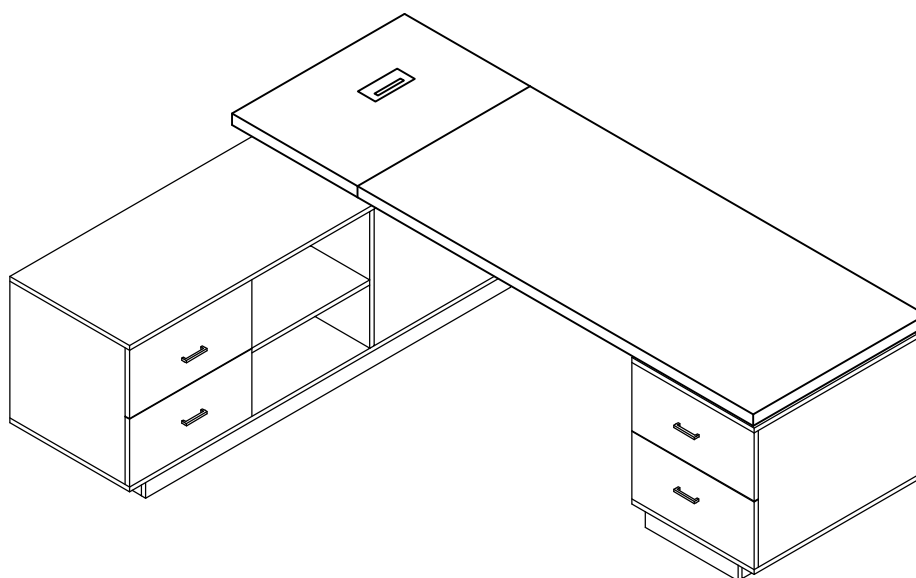
Install computer vents and desktop cable holes

26

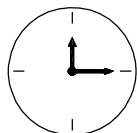


Assembly completed

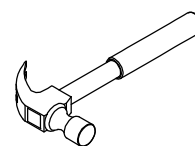
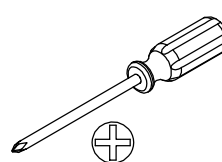
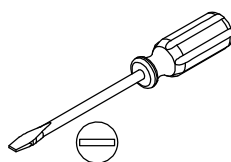
Procedure for installing the left hand cabinet



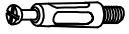






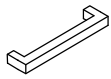
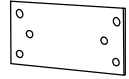
1 PERS.



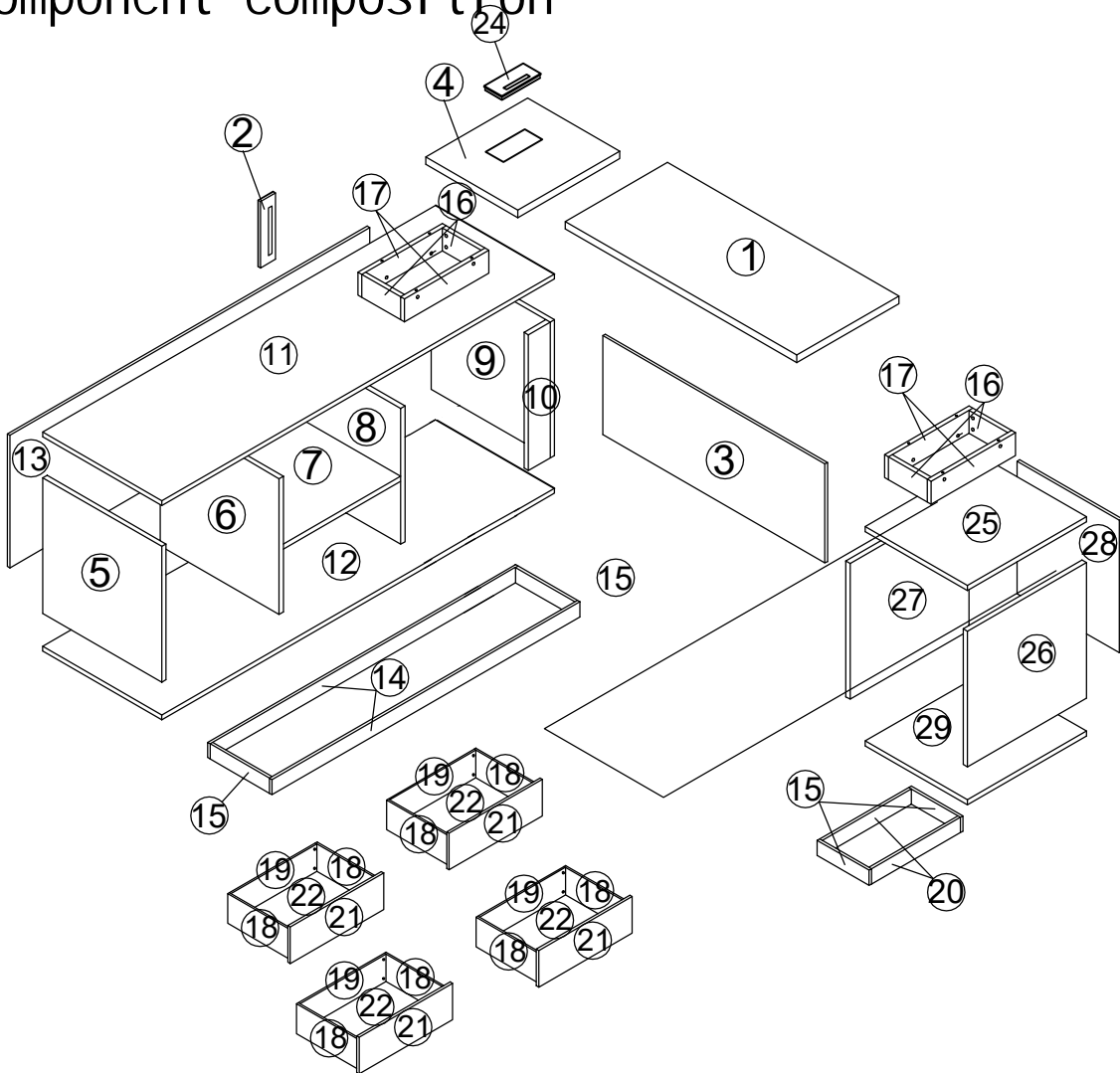
60 MIN



Hardware list

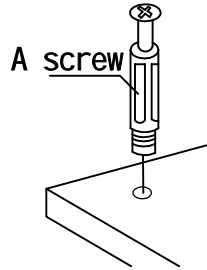
<p>A</p> 	<p>B</p> 	<p>C</p> 	<p>D</p> 	<p>G</p> 
<p>H</p> 	<p>I</p> 	<p>J</p> 	<p>K</p> 	

Component composition



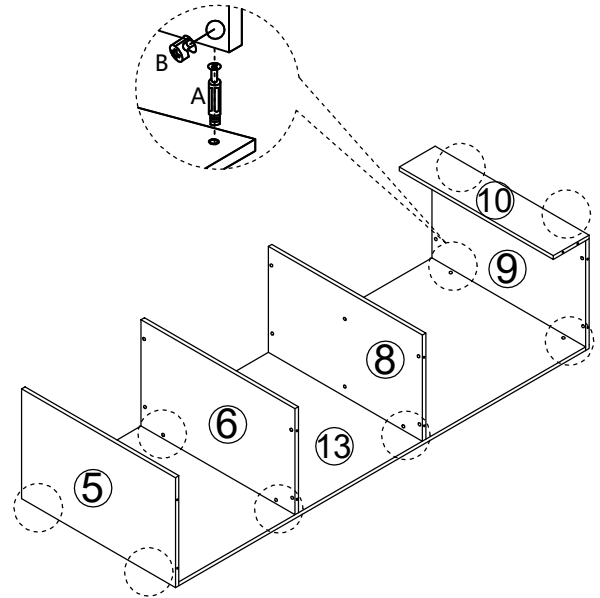
procedure

1



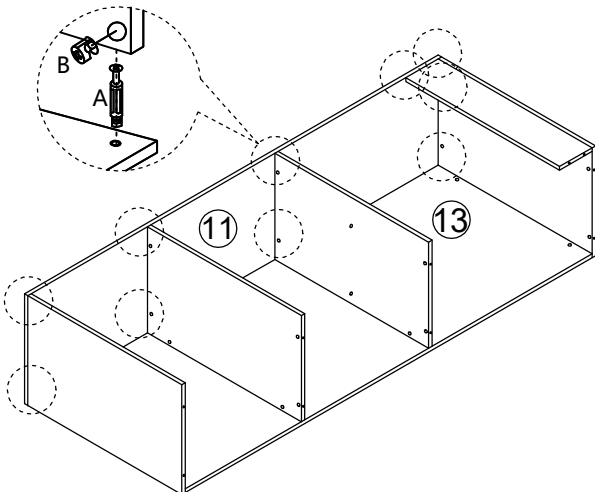
It is recommended to drive A screw into the board with a screw hole first

2



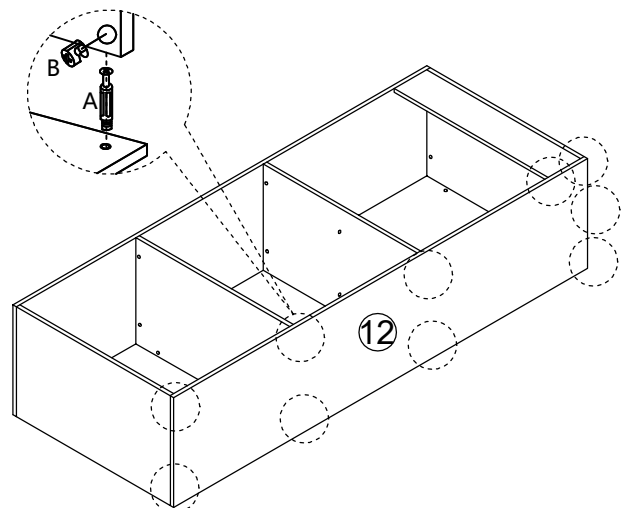
Assemble partitions and backs of sub-cabinets

3



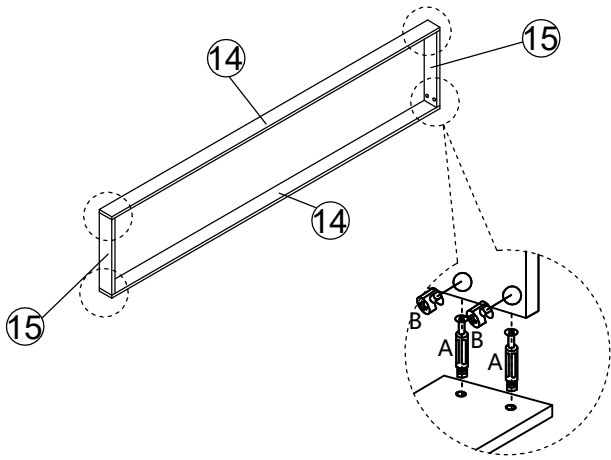
Install the top of the side cabinet

4



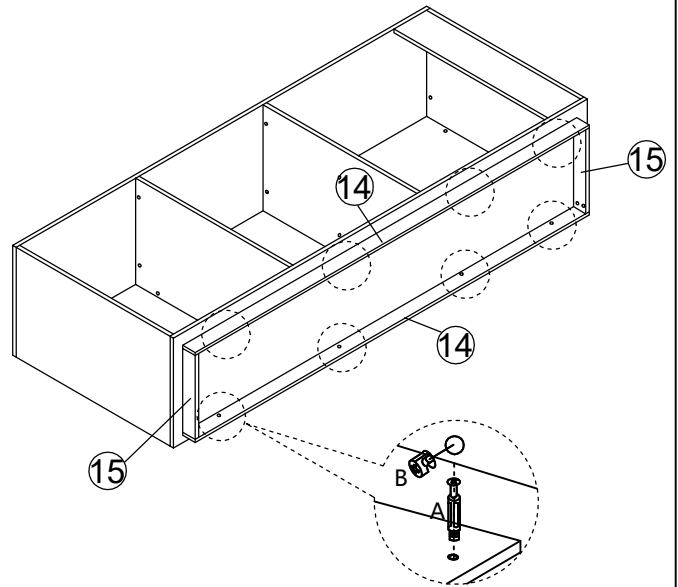
Install the bottom of the side cabinet

5



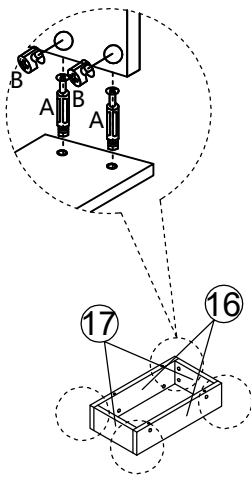
Assemble side cabinet bottom frame

6



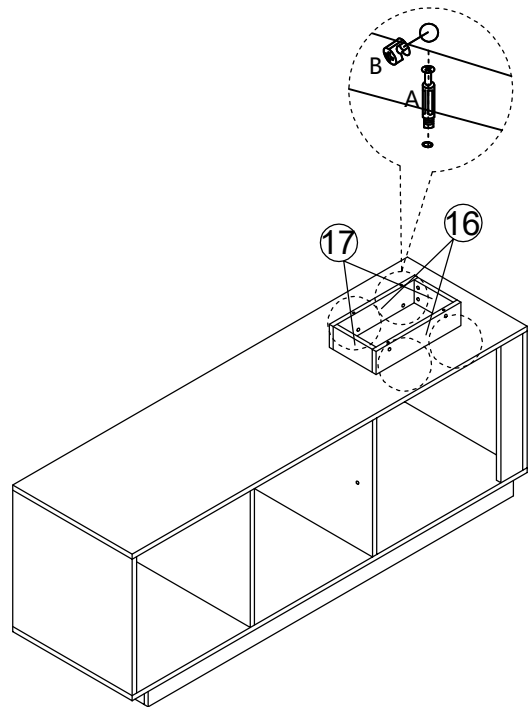
Install the bottom frame of the side cabinet

7



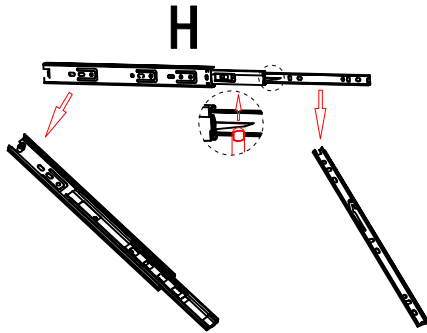
Assemble side cabinet top frame

8



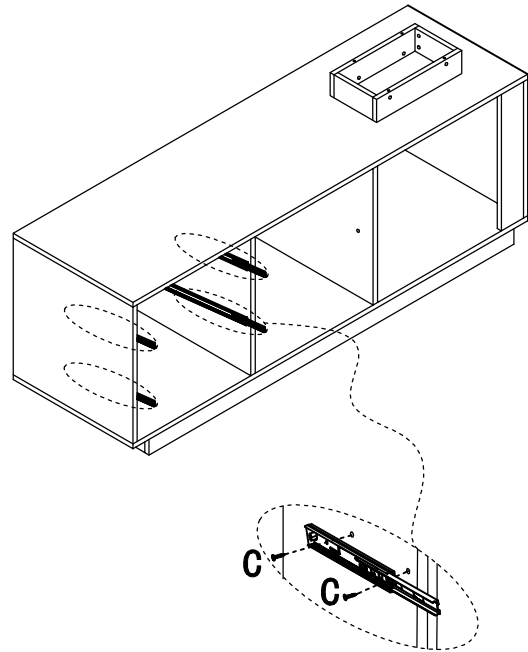
Mount the frame on the side cabinet

9



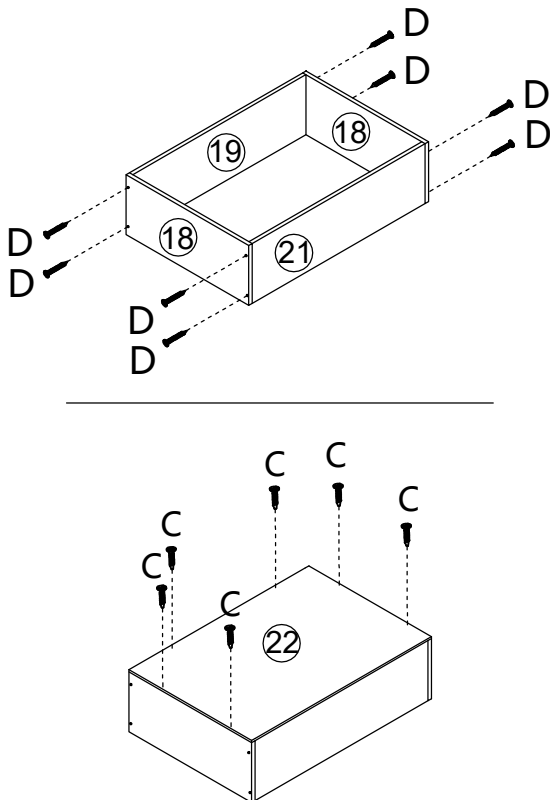
How the tracks are connected

10



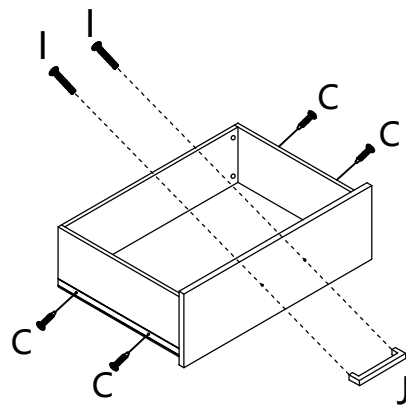
Install the track in the side cabinet

11



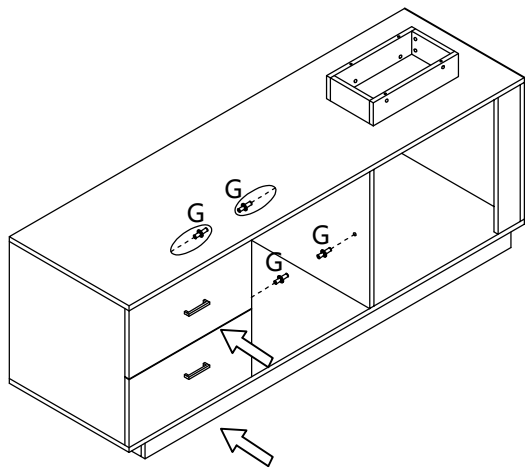
Assemble drawer frame and bottom

12



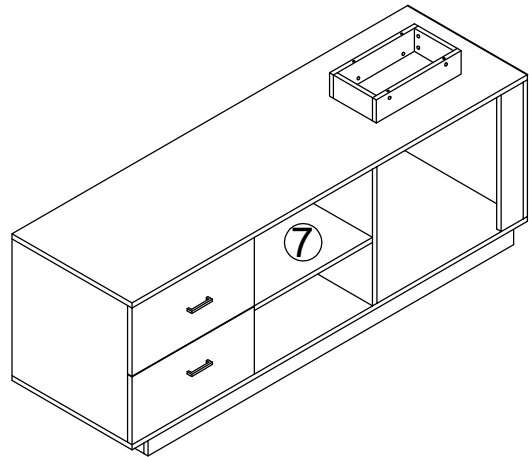
Mount the track on the side of the drawer
Mount the handle on the panel

13



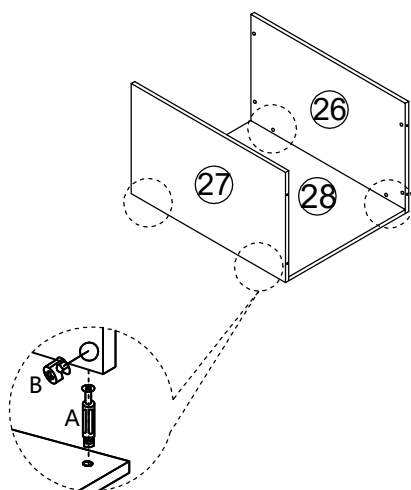
Mounting Part G

14



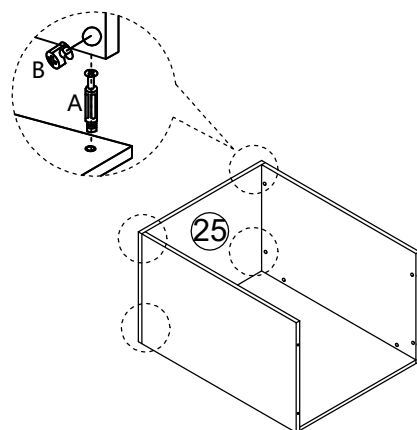
Install the divider above G

15



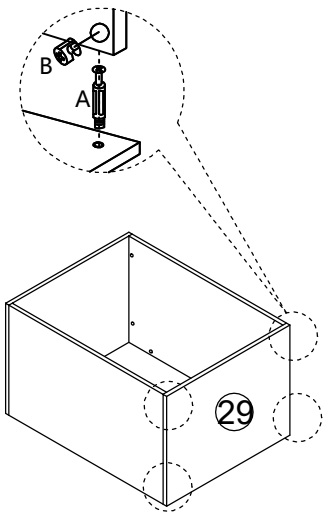
Assemble small side cabinet sides and backs

16



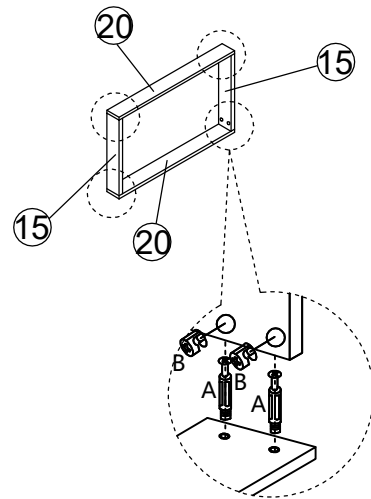
Assemble small side cabinet top

17



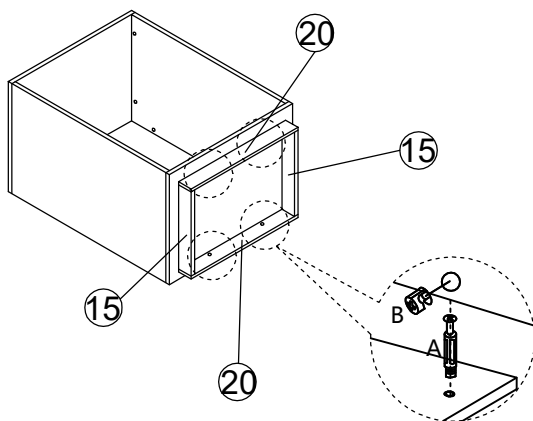
Assemble small side cabinet bottom

18



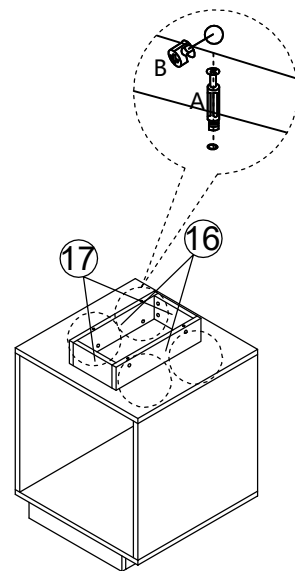
Assemble small side cabinet bottom frame

19



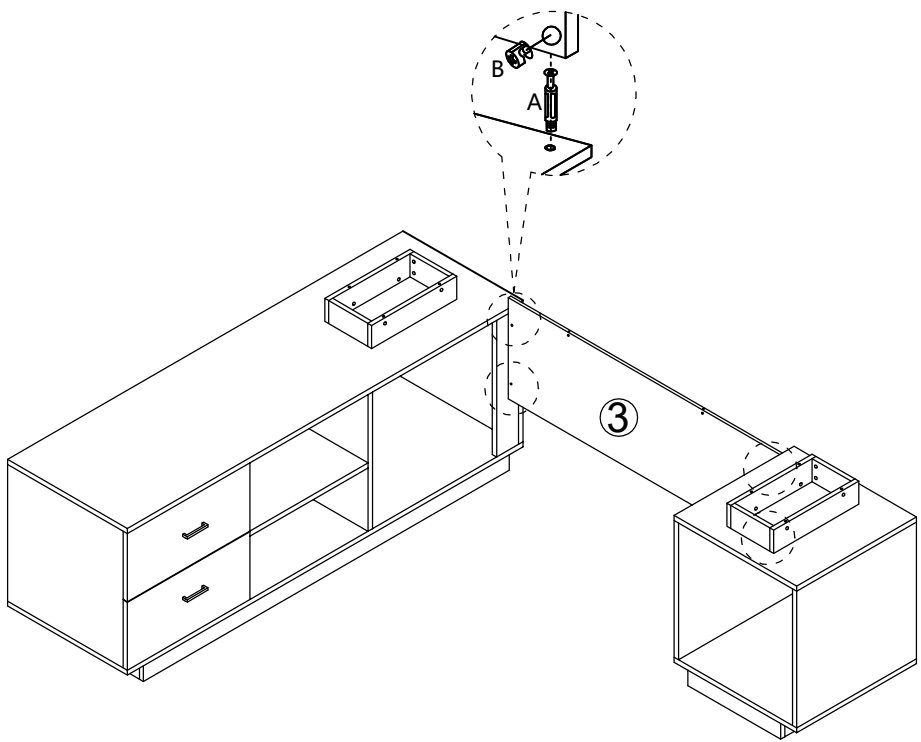
Install the frame at the bottom

20



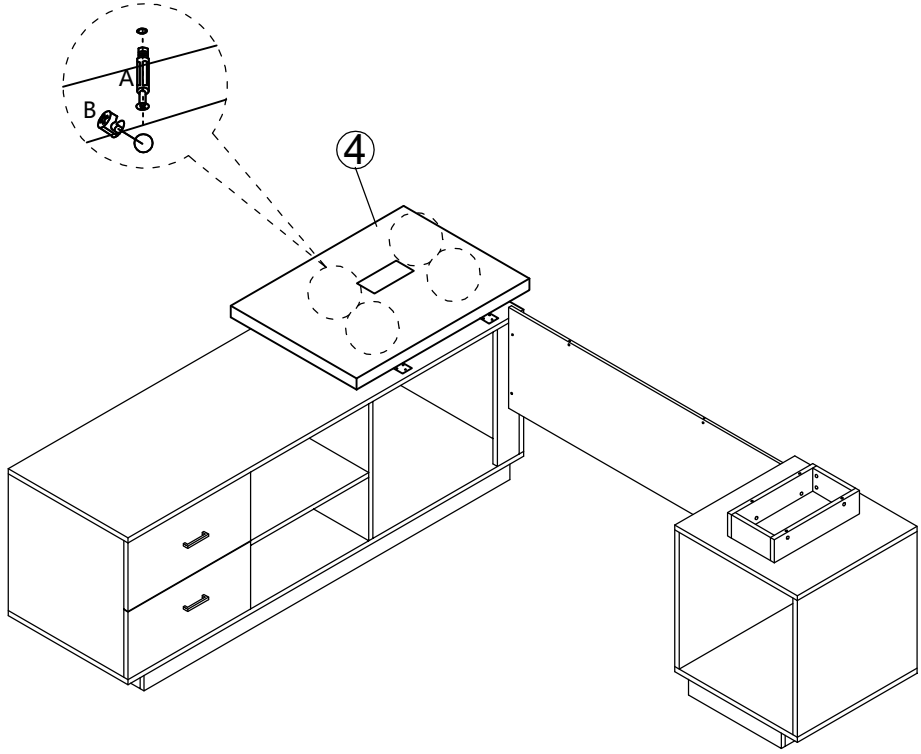
Mounting top frame

21



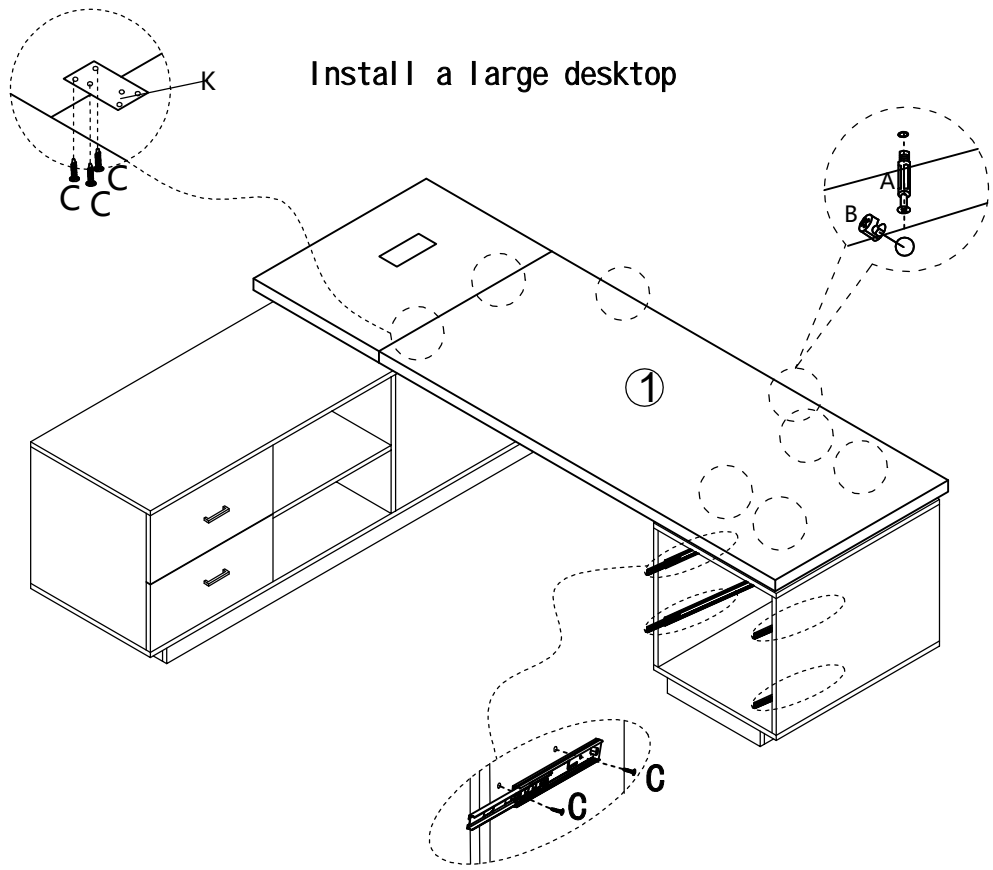
Link the front baffle to the side cabinet and small side cabinet

22

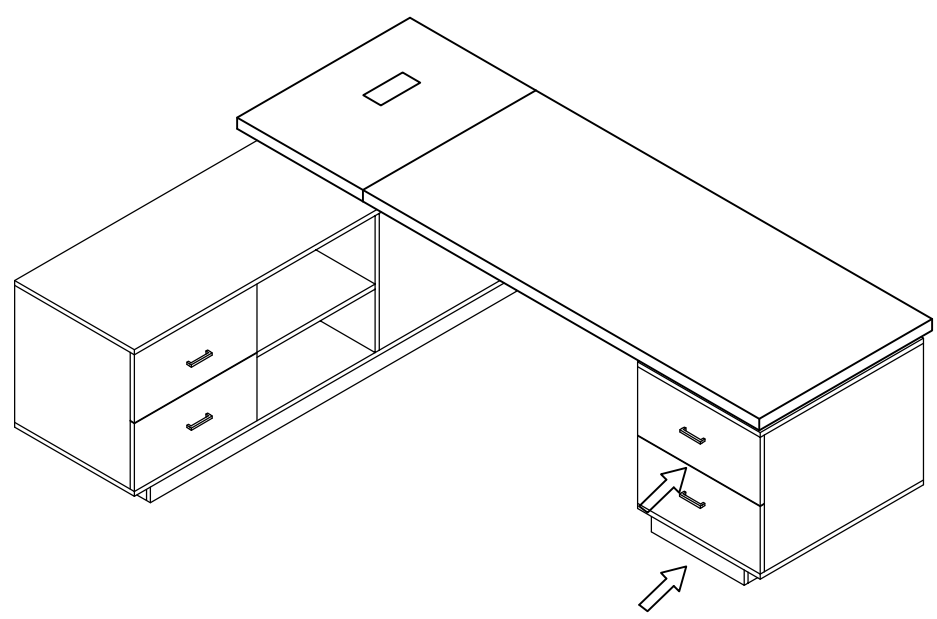


Install a small piece of desktop

23

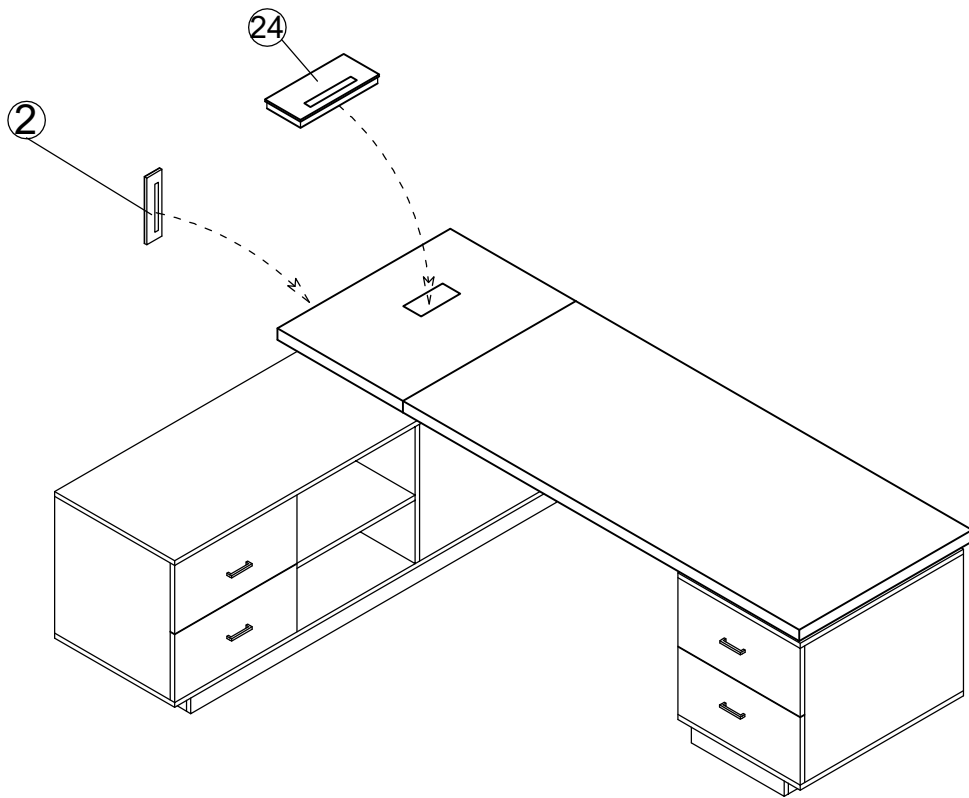


24



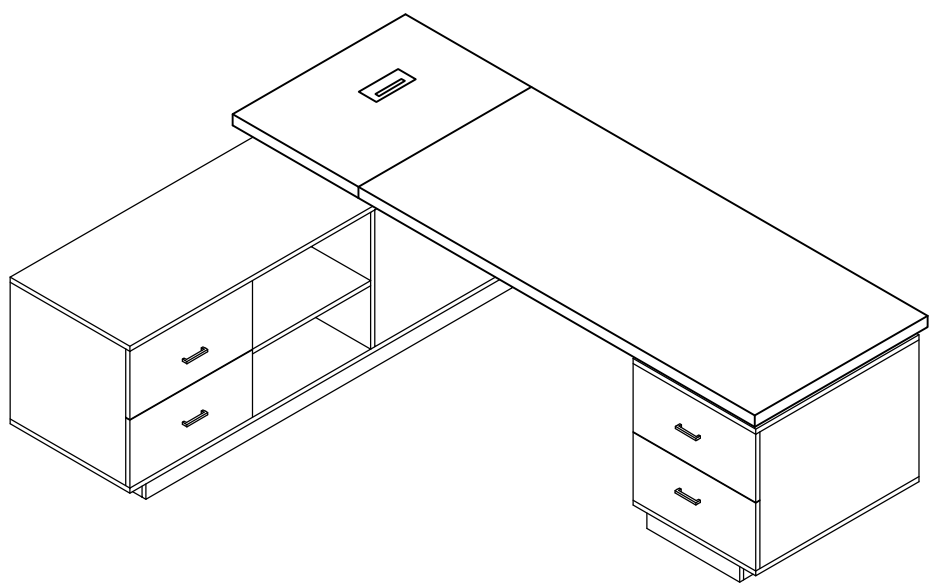
Install drawers on side cabinets

25



Install computer vents and desktop cable holes

26



Assembly completed