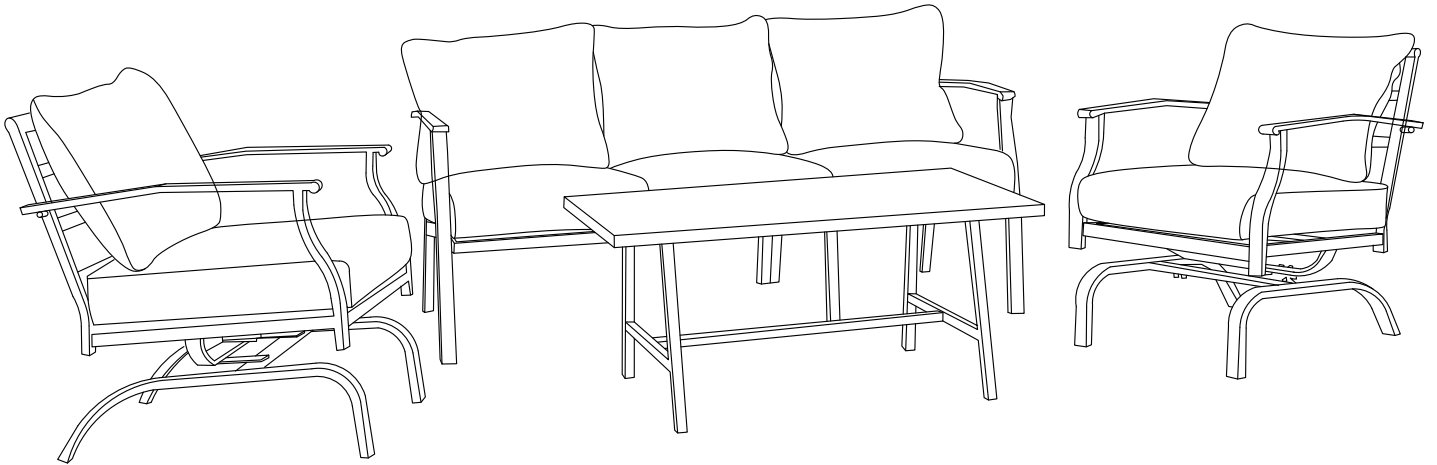


# **4Pcs Metal Sofa Set**

---



## **IMPORTANT**

**PLEASE READ BEFORE YOU COMMENCE ASSEMBLY**

Follow the guidelines in this user guide to ensure correct assembly and care for this product.

## Catalog

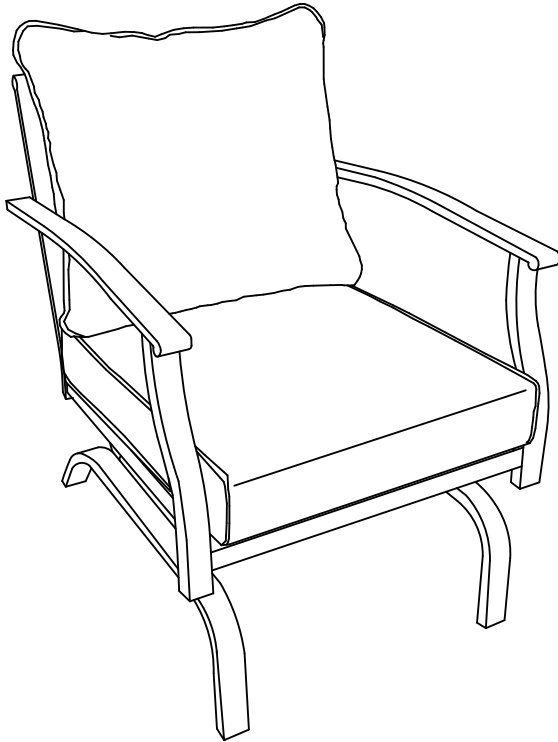
Care & Instructions .....	01
Packing List .....	02
Specifications .....	03
Part List .....	04
Screw Set .....	05
How To Assemble Single Sofa.....	06
How To Assemble Three-Seater Sofa.....	09
How To Assemble Coffee Table.....	13

## Care & Instructions

Thank you for ordering the 4Pcs Metal Sofa Set ,here are some tips which may help you:

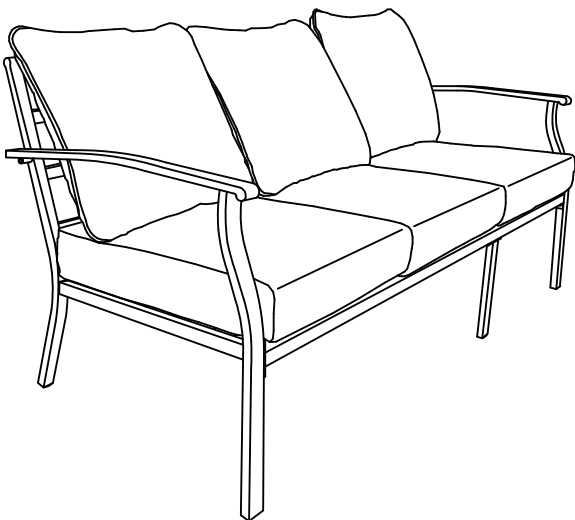
- 1.This 4Pcs Metal Sofa Set comes in 2 boxes.Box A contains two Single Sofas .Box B contains a three-seater sofa and a coffee table.
- 2.The cushions are vacuum packed,after you open the package,they will fully return to the original thickness after a while.
- 3.The company only allows us to upload 1 tracking number.If you want to know the others' tracking numbers,please contact us.
- 4.If any part is damaged or missing(please refer to packing list on page 4~5),please feel free to contact us.We will send you the replacement immediately.
- 5.In order to prolong the sofa set's service life,we suggest that you put all the cushions indoor on a rainy day.
- 6.We hope you can enjoy our product,if you have any other problem,please feel free to contact us.

## Packing List A

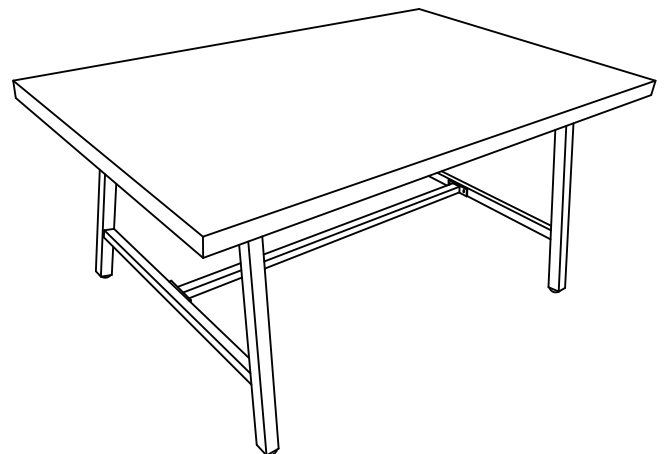


Single Sofa x2

## Packing List B

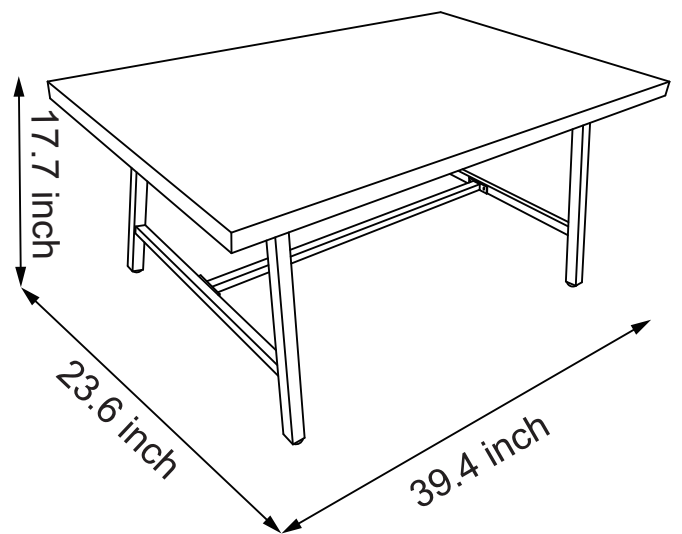
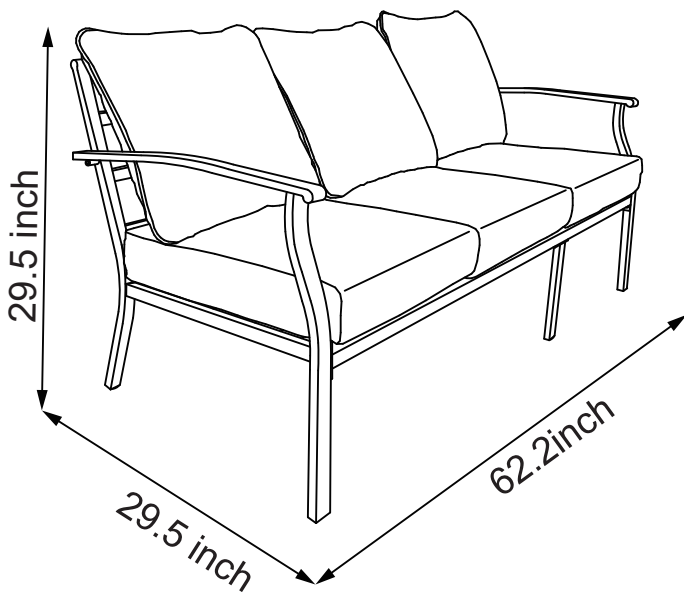
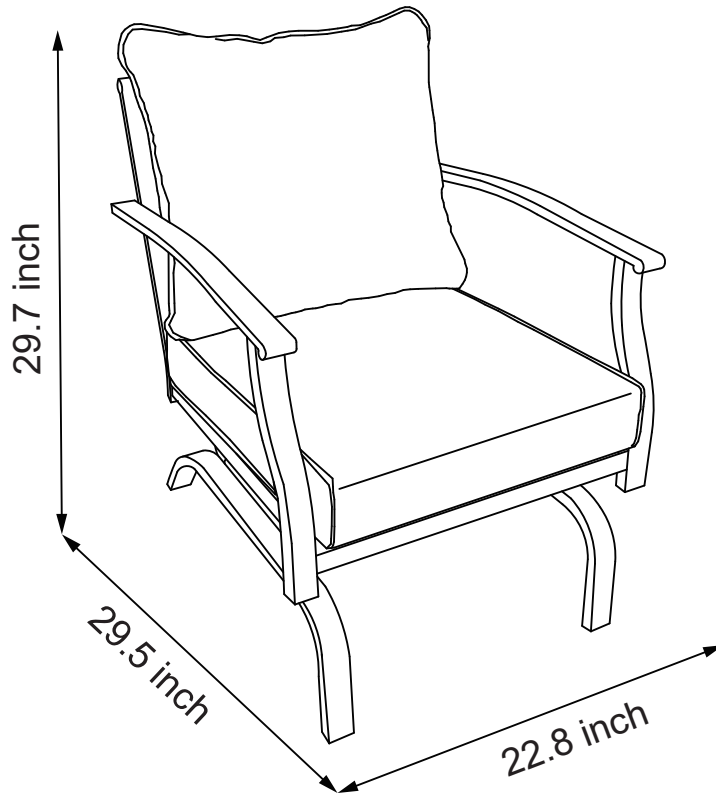


Three-Seater Sofa x1





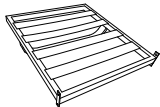
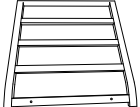
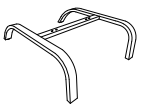
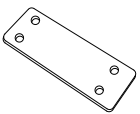

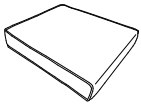

Coffee Table x1

## Specifications

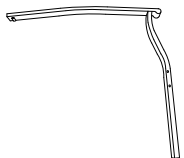
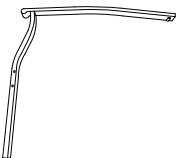

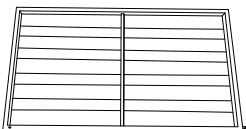

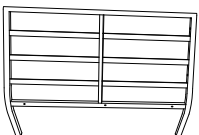

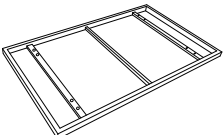
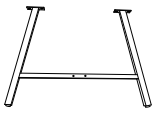

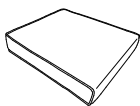



# PART LIST

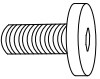
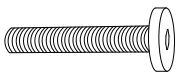
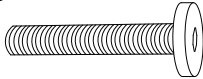
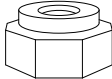

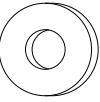




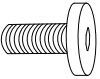
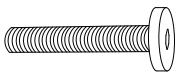
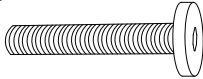
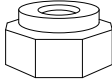

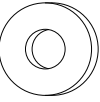

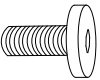
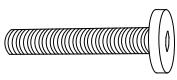
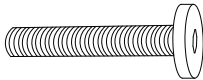


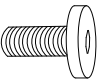
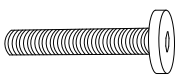
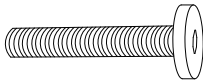

## Box A

<p>(L001)</p>  <p>Single Sofa Left Armrest</p>	<p>(L002)</p>  <p>Single Sofa Right Armrest</p>	<p>(L003)</p>  <p>Single Sofa Seat Frame</p>	<p>(L004)</p>  <p>Single Sofa Back Frame</p>	<p>(L005)</p>  <p>Single Sofa Leg frame</p>
2 PCS	2 PCS	2 PCS	2 PCS	2 PCS
<p>(L006)</p>  <p>Single Sofa Spring Plate</p>	<p>(L007)</p>  <p>Single Sofa Connecting Plate</p>	<p>(L018)</p>  <p>Single Seat Cushion Cover with Core</p>	<p>(L020)</p>  <p>Single Back Cushion Cover with Core</p>	
4 PCS	8 PCS	2 PCS	2 PCS	

## Box B

<p>(L008)</p>  <p>Three-Seater Sofa Left Armrest</p>	<p>(L009)</p>  <p>Three-Seater Sofa Right Armrest</p>	<p>(L010)</p>  <p>Three-Seater Sofa Small Seat Frame</p>	<p>(L011)</p>  <p>Three-Seater Sofa Large Seat Frame</p>	<p>(L012)</p>  <p>Three-Seater Sofa Small Back Frame</p>
1 PC	1 PC	1 PC	1 PC	1 PC
<p>(L013)</p>  <p>Three-Seater Sofa Large Back Frame</p>	<p>(L014)</p>  <p>Three-Seater Sofa Midfoot</p>	<p>(L015)</p>  <p>Coffee Table Top Frame</p>	<p>(L016)</p>  <p>Coffee Table Leg</p>	<p>(L017)</p>  <p>Coffee Table Leg Connector Rod</p>
1 PC	1 PC	1 PC	2 PCS	1 PC
<p>(L018)</p>  <p>Single Seat Cushion Cover with Core</p>	<p>(L020)</p>  <p>Single Back Cushion Cover with Core</p>			
3 PCS	3 PCS			

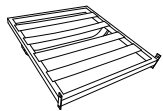
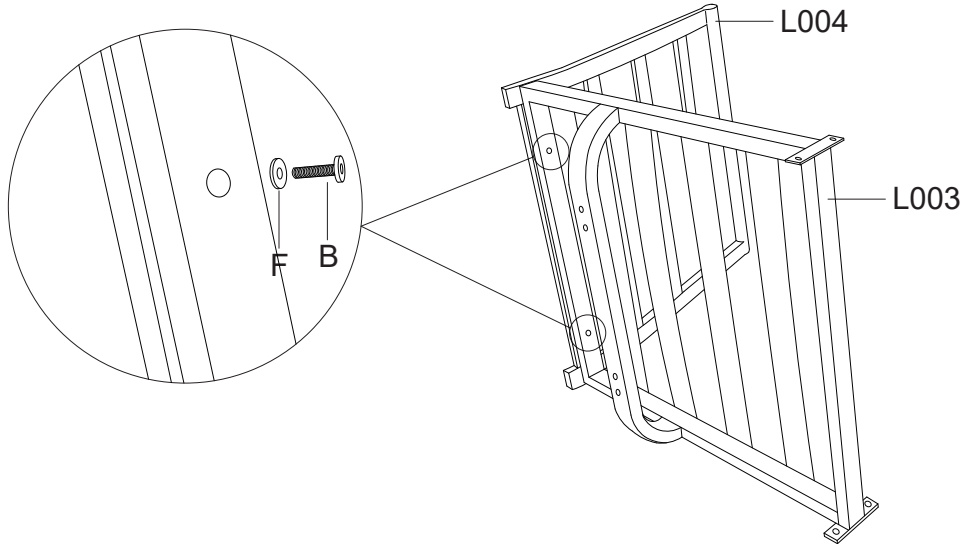
# SCREW SET

Screw Set A				
 M6*15 8 PCS	 M6*35 8 PCS	 M8*45 16 PCS	 M8 16 PCS	 M6 16 PCS
 M8 Gasket 32 PCS	 M8 Spring Gasket 16 PCS	 4*4 Allen Wrench 1 PC	 5*5 Allen Wrench 1 PC	 Wrench 1 PC
Extra A				
 M6*15 1 PC	 M6*35 1 PC	 M8*45 2 PCS	 M8 2 PCS	 M6 2 PCS
 M8 Gasket 4 PCS	 M8 Spring Gasket 2 PCS			
Screw Set B				
 M6*15 18 PCS	 M6*35 9 PCS	 M6*45 2 PCS	 M6 29 PCS	 4*4 Allen Wrench 1 PC
Extra B				
 M6*15 2 PCS	 M6*35 1 PC	 M6*45 1 PC	 M6 3 PCS	

## How To Assemble A Single Sofa

**Step 1**

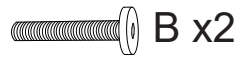
Attach the Single Sofa Seat Frame(L003) to the Single Sofa Back Frame(L004) with screws(B). **NOTE:** Do not tighten the screws.



L003 x1



L004 x1



B x2



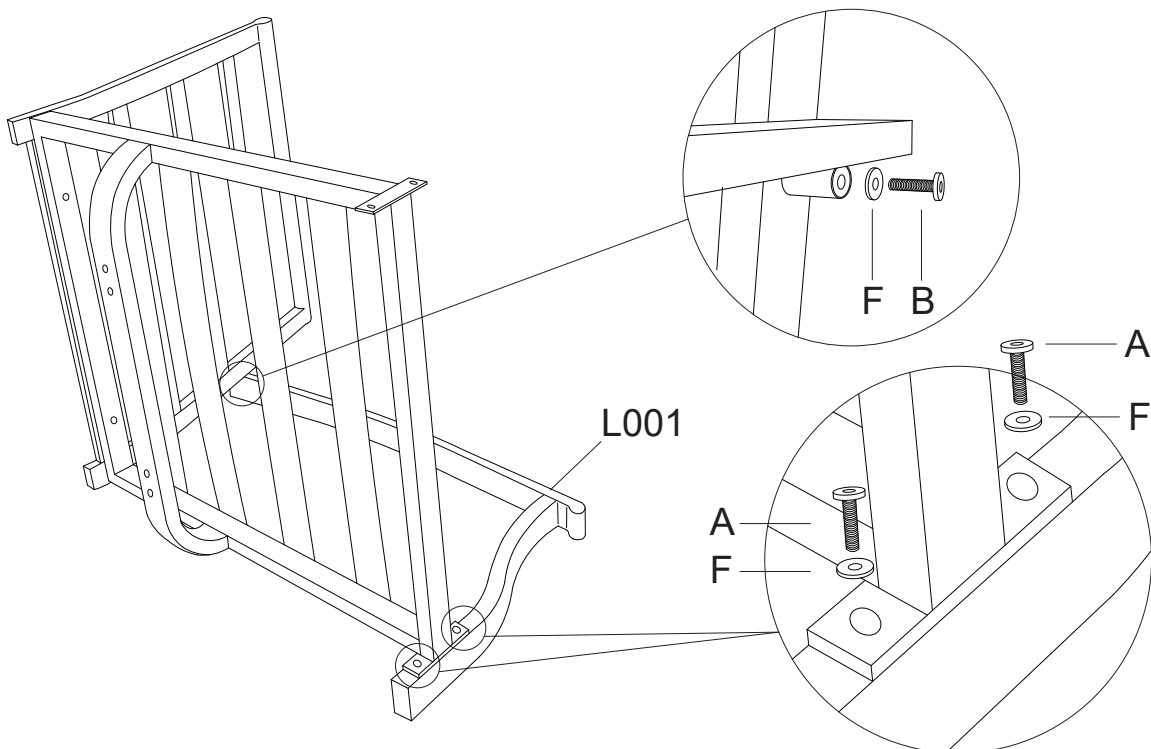
F x2



I x1

**Step 2**

Attach the Single Sofa Left Armrest(L001) to the Single Sofa Seat Frame(L003) and Single Sofa Back Frame(L004) with screws(A & B). **NOTE:** Do not tighten the screws.



L001 x1



A x2



B x1



F x3

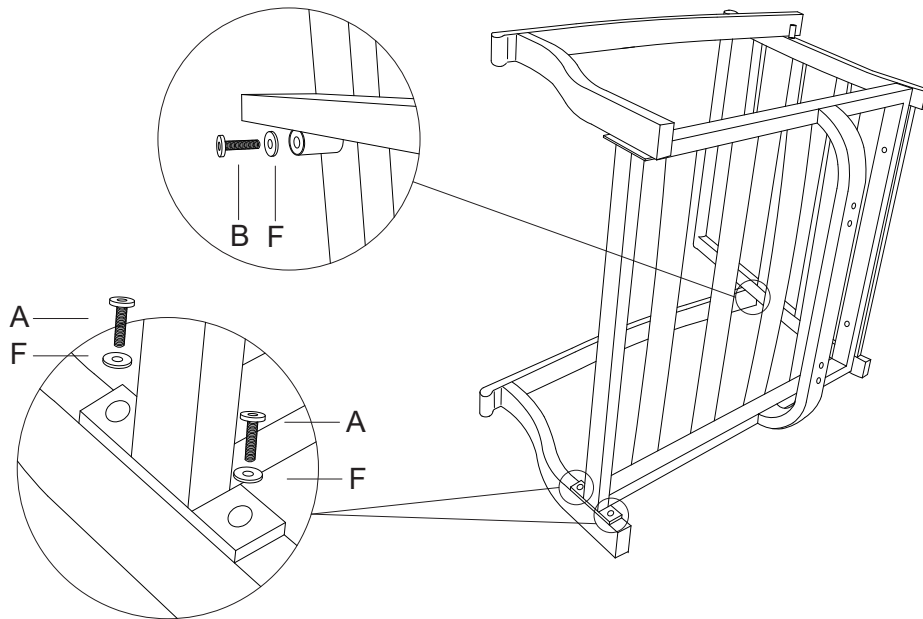


I x1

# Installation steps

## Step 3

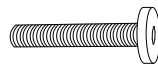
Attach the Single Sofa Right Armrest(L002) to the Single Sofa Seat Frame(L003) and Single Sofa Back Frame(L004) with screws(A & B).  
**NOTE:**Do not tighten the screws .



L002 x1



A x2



B x1



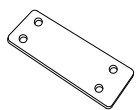
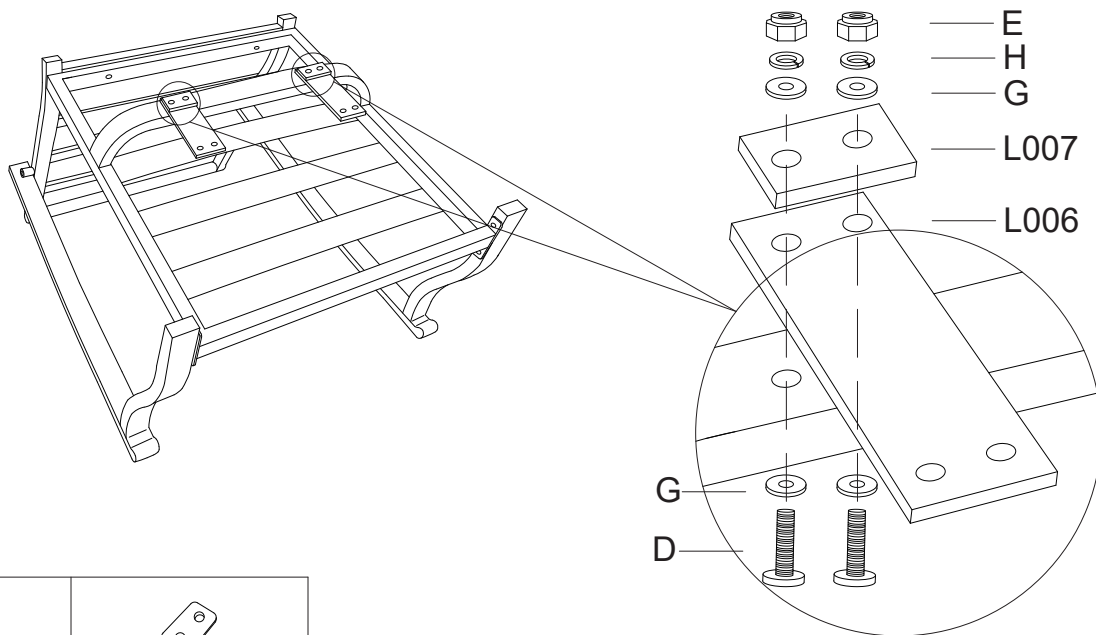
F x3



I x1

## Step 4

Connect Single Sofa Spring Plate(L006), Single Sofa Connecting Plate(L007), and Single Sofa Seat Frame(L003) with screws(D).  
**NOTE:**Do not tighten the screws.



L006 x2



L007 x2



D x4



E x4



G x8



H x4



J x1

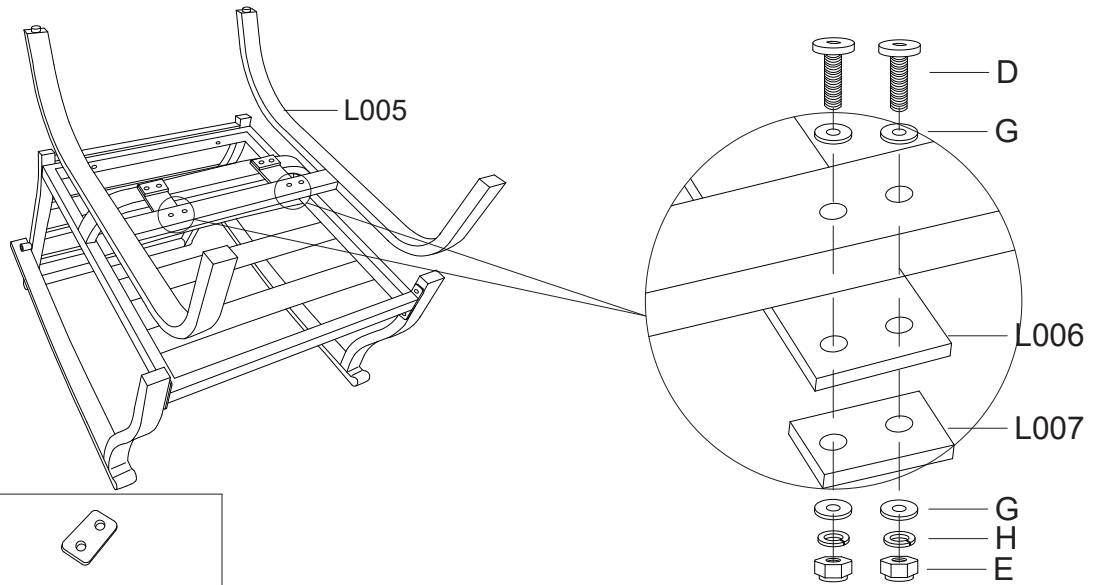


K x1

# Installation steps

## Step 5

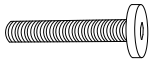
Connect Single Sofa Spring Plate(L006), Single Sofa Connecting Plate(L007), and Single Sofa Leg frame(L005) with screws(D).  
**NOTE:**Now you can tighten all the screws.



L005 x1



L007 x2



D x4



E x4



G x8



H x4



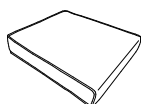
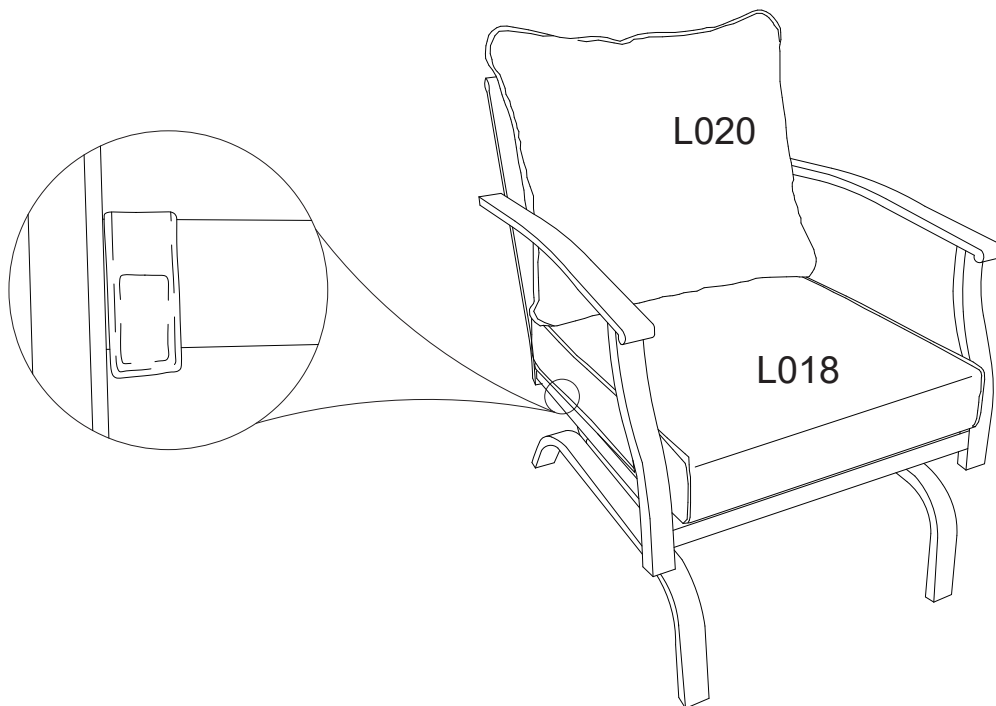
J x1



K x1

## Step 6

Secure the Single Seat Cushion(L018) and Single Back Cushion(L020) separately to the Single Sofa Seat Frame(L003) and Single Sofa Back Frame(L004).



L018 x1



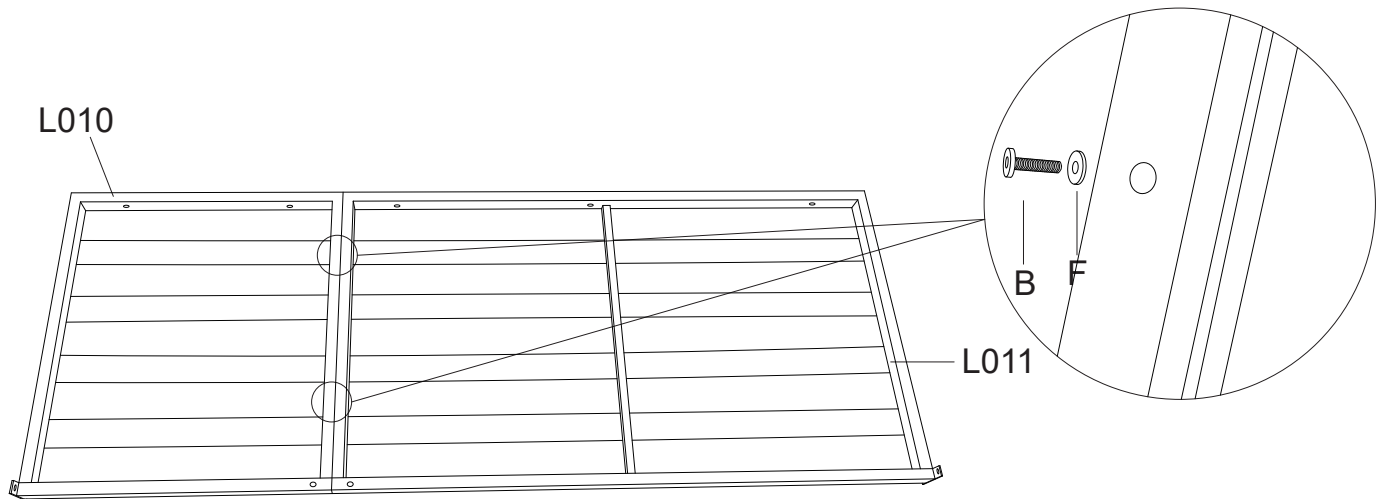
L020 x1

## How To Assemble A Three-Seater Sofa

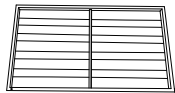
### Step 1

Connect Three-Seater Sofa Small Seat Frame(L010) and Three-Seater Sofa Large Seat Frame(L011) with screws(B).

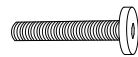
**NOTE:**Do not tighten the screws.



L010 x1



L011 x1



B x2



F x2

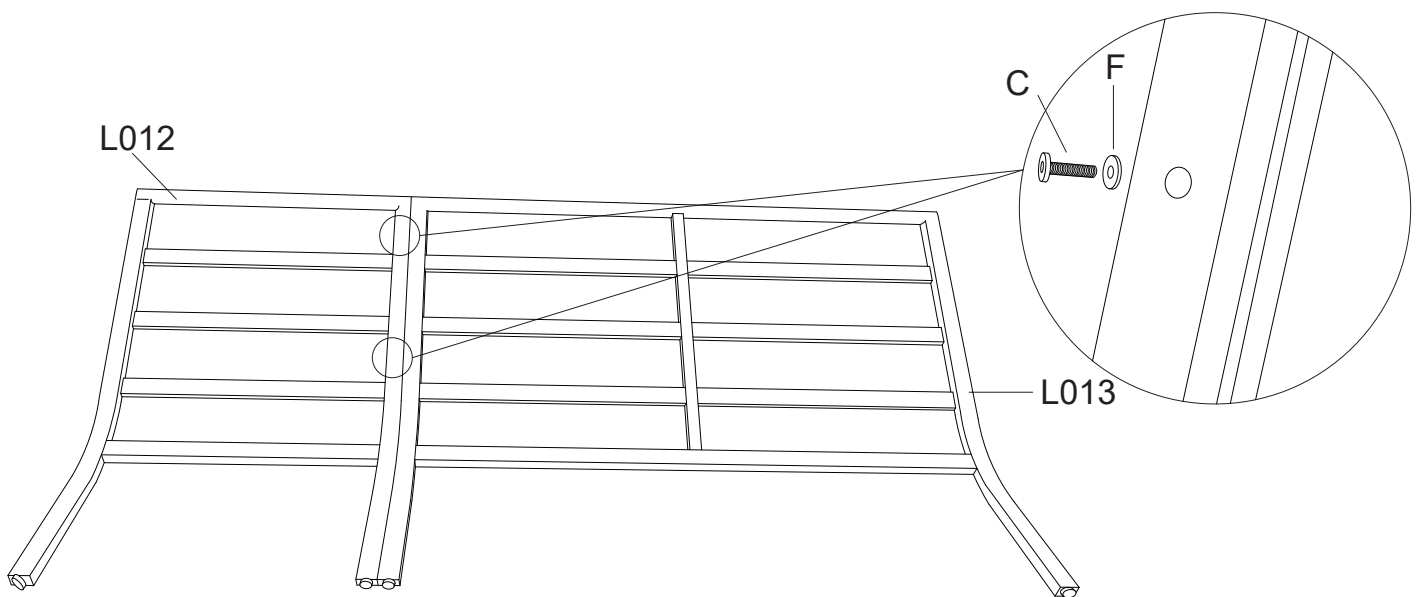


I x1

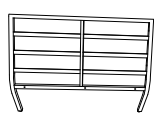
### Step 2

Connect Three-Seater Sofa Small Back Frame(L012) and Three-Seater Sofa Large Back Frame(L013) with screws(C).

**NOTE:**Do not tighten the screws.



L012 x1



L013 x1



C x2



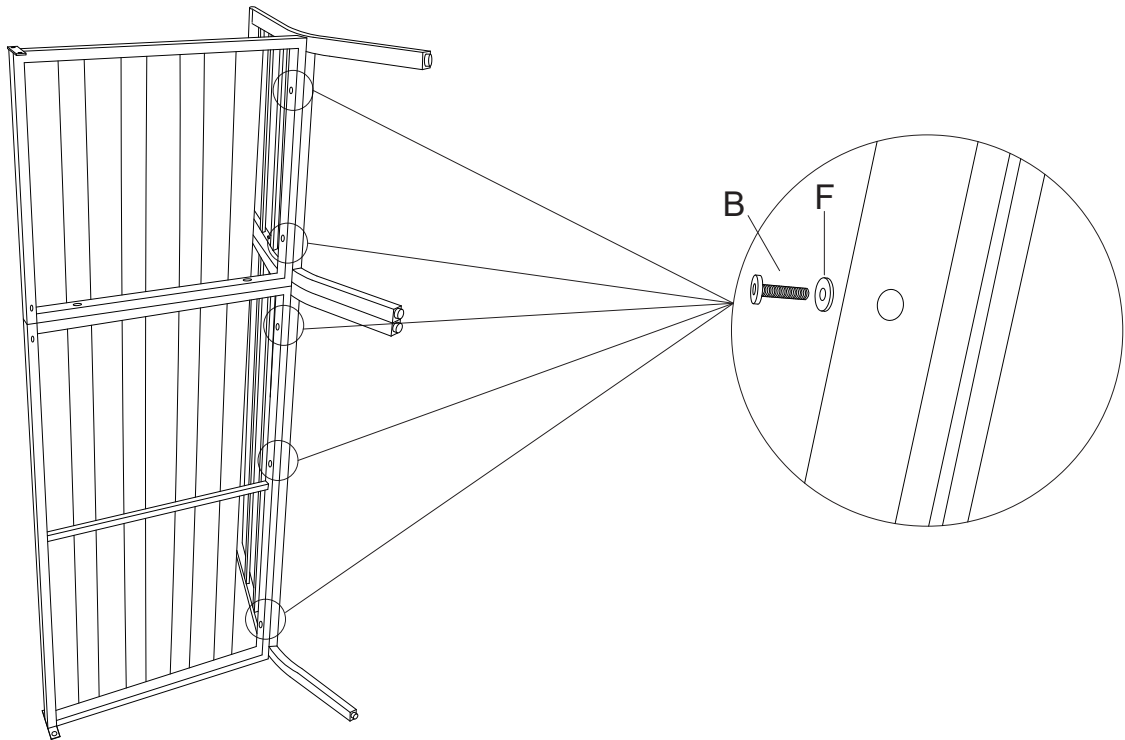
F x2



I x1

# Installation steps

**Step 3** Connect Seat Frame and Back Frame with screws(B).  
**NOTE:**Do not tighten the screws.



B x5

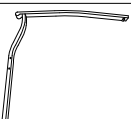
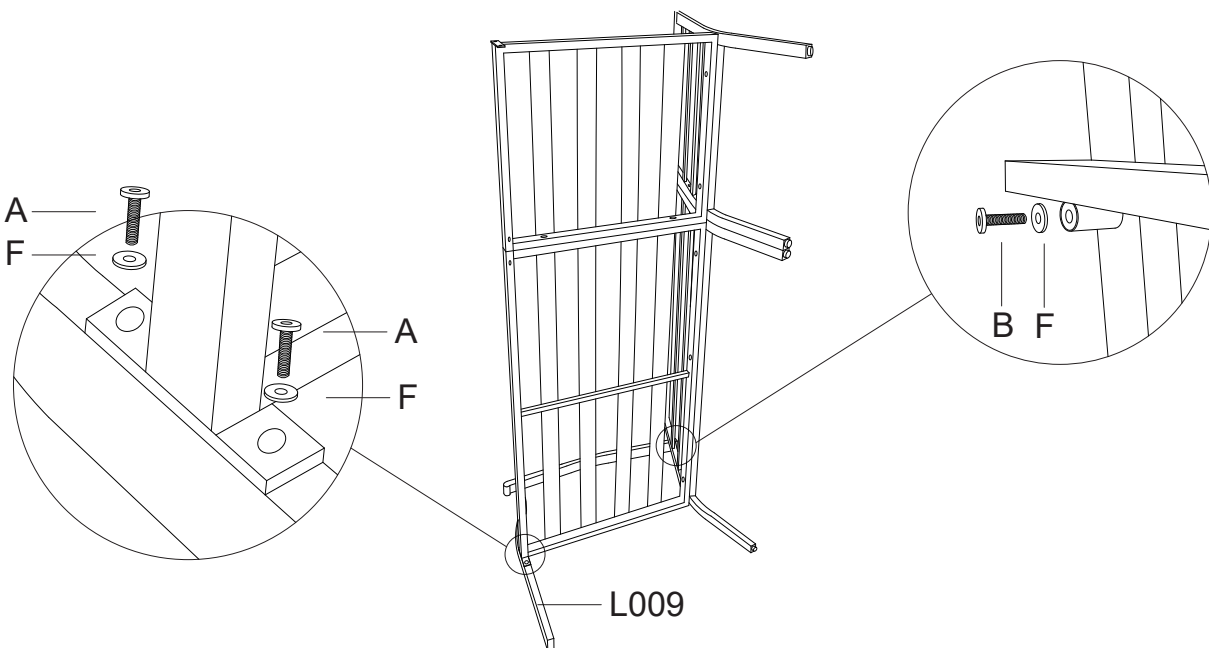


F x5



I x1

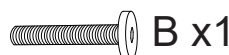
**Step 4** Attach the Three-Seater Sofa Right Armrest(L009) to the Seat Frame and Seat Frame with screws(A & B).  
**NOTE:**Do not tighten the screws.



L009 x1



A x2



B x1



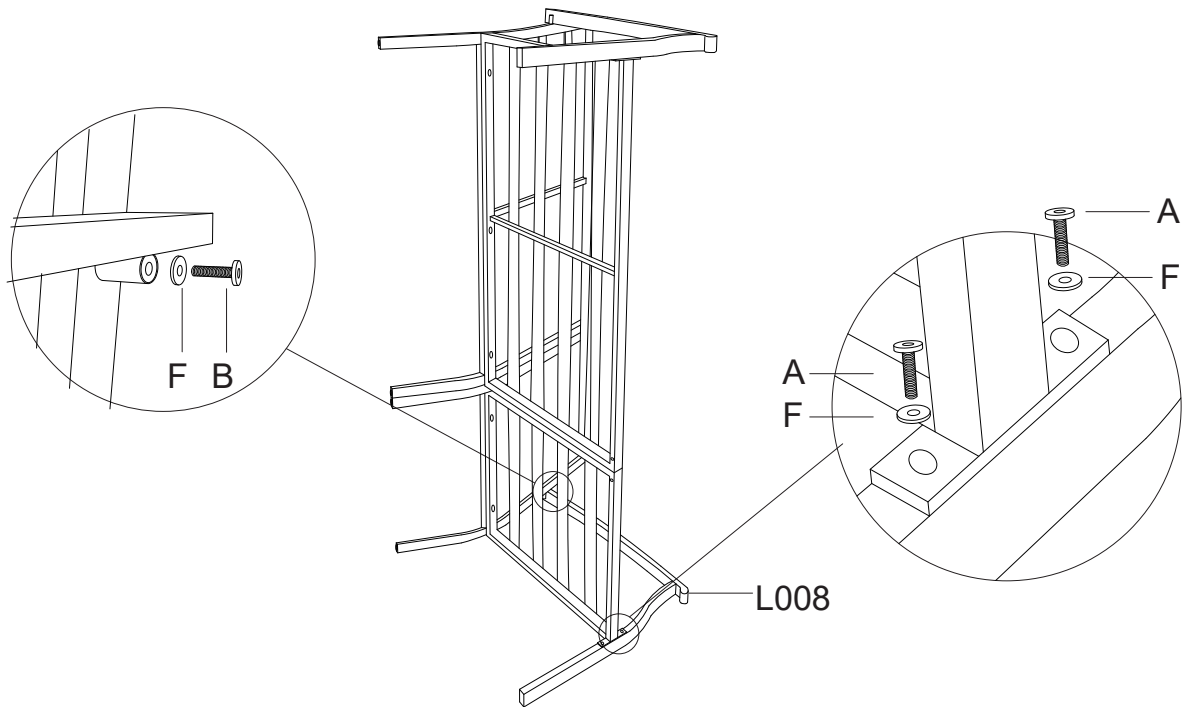
F x3



I x1

# Installation steps

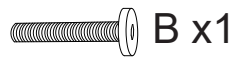
**Step 5** Attach the Three-Seater Sofa Left Armrest(L008) to the Seat Frame and Seat Frame with screws(A & B).  
**NOTE:**Do not tighten the screws.



L008 x1



A x2



B x1

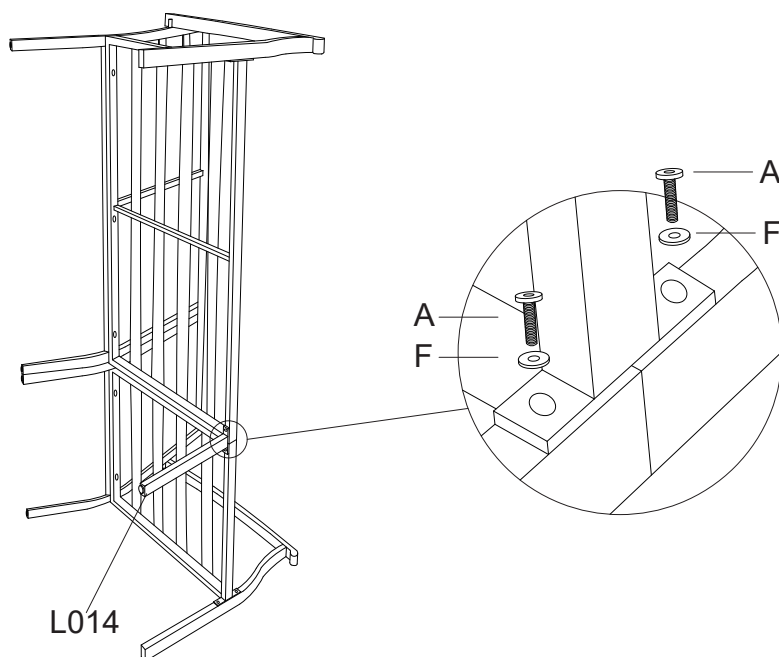


F x3



I x1

**Step 6** Connect Three-Seater Sofa Midfoot(L014) and Seat Frame with screws(A).  
**NOTE:**Now you can tighten all the screws.



L014 x1



A x2



F x2

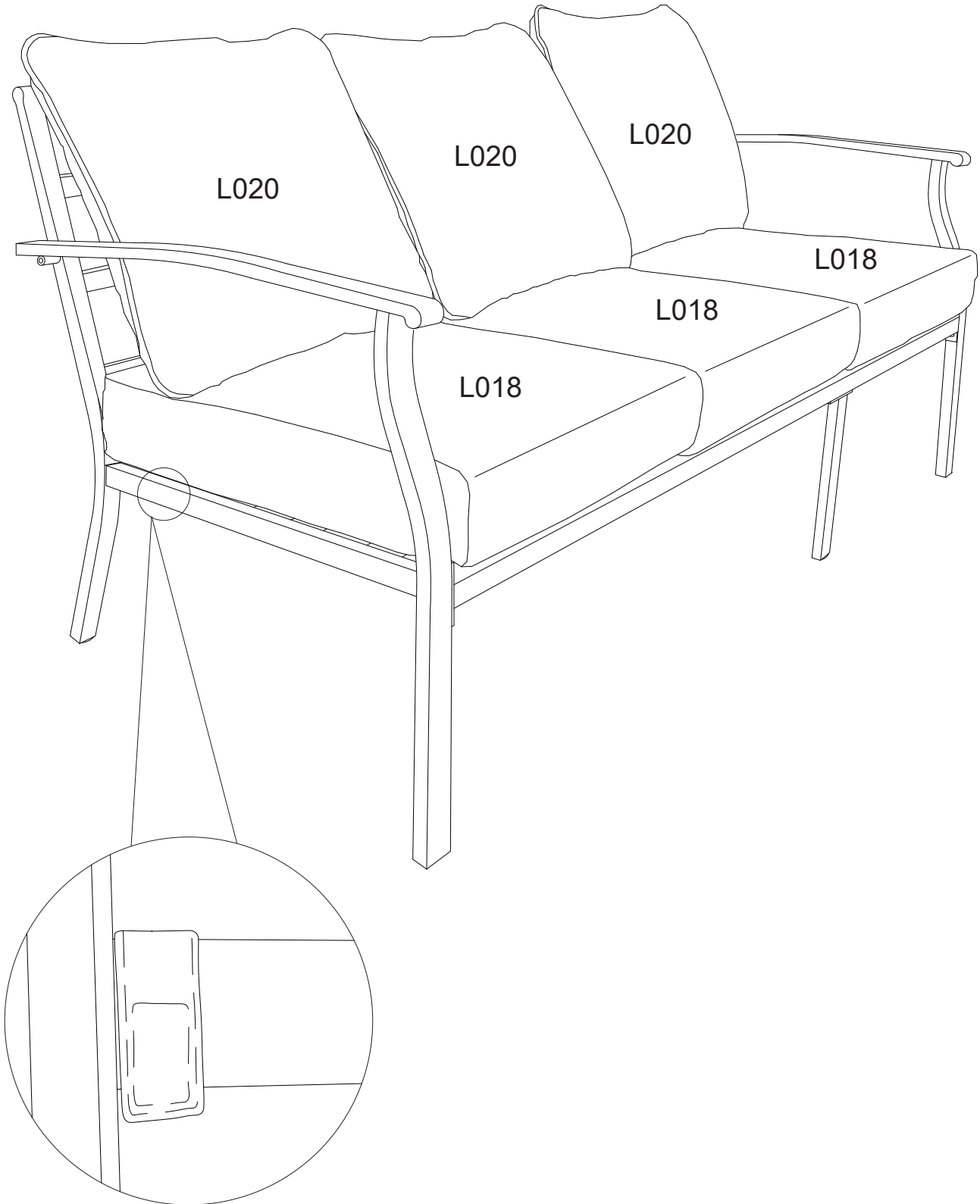


I x1

# Installation steps

## Step 7

Secure the Single Seat Cushion(L018) and Single Back Cushion(L020) separately to the Seat Frame and Seat Frame.



L018 x3

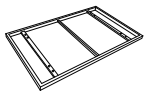
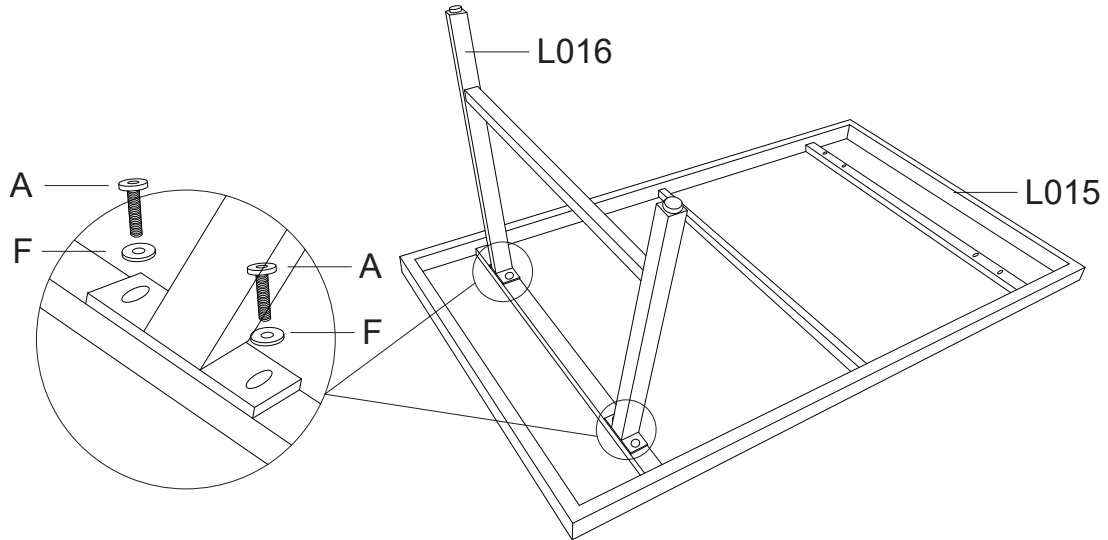


L020 x3

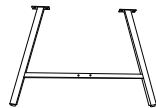
## How To Assemble A Coffee Table

**Step 1**

Connect one Coffee Table Leg(L016) and Coffee Table Top Frame(L015) with screws(A).**NOTE:**Do not tighten the screws.



L015 x1



L016 x1



A x4



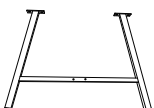
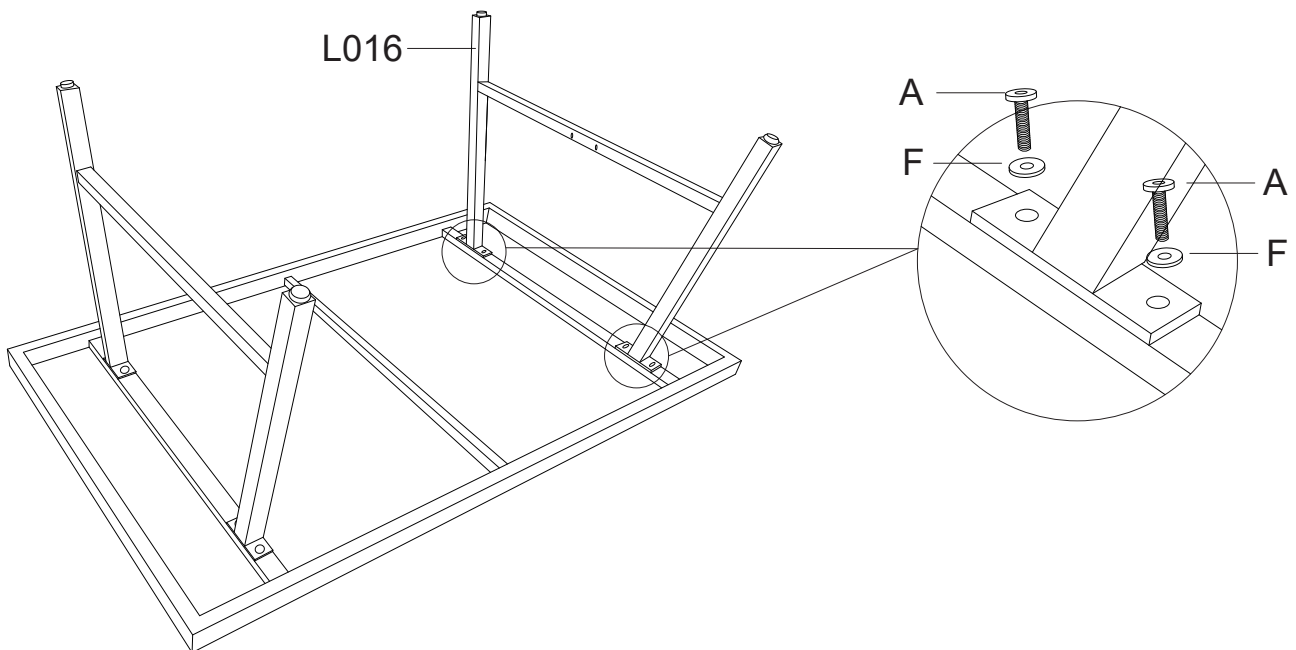
F x4



I x1

**Step 2**

Connect another Coffee Table Leg(L016) and Coffee Table Top Frame(L015) with screws(A).**NOTE:**Do not tighten the screws.



L016 x1



A x4



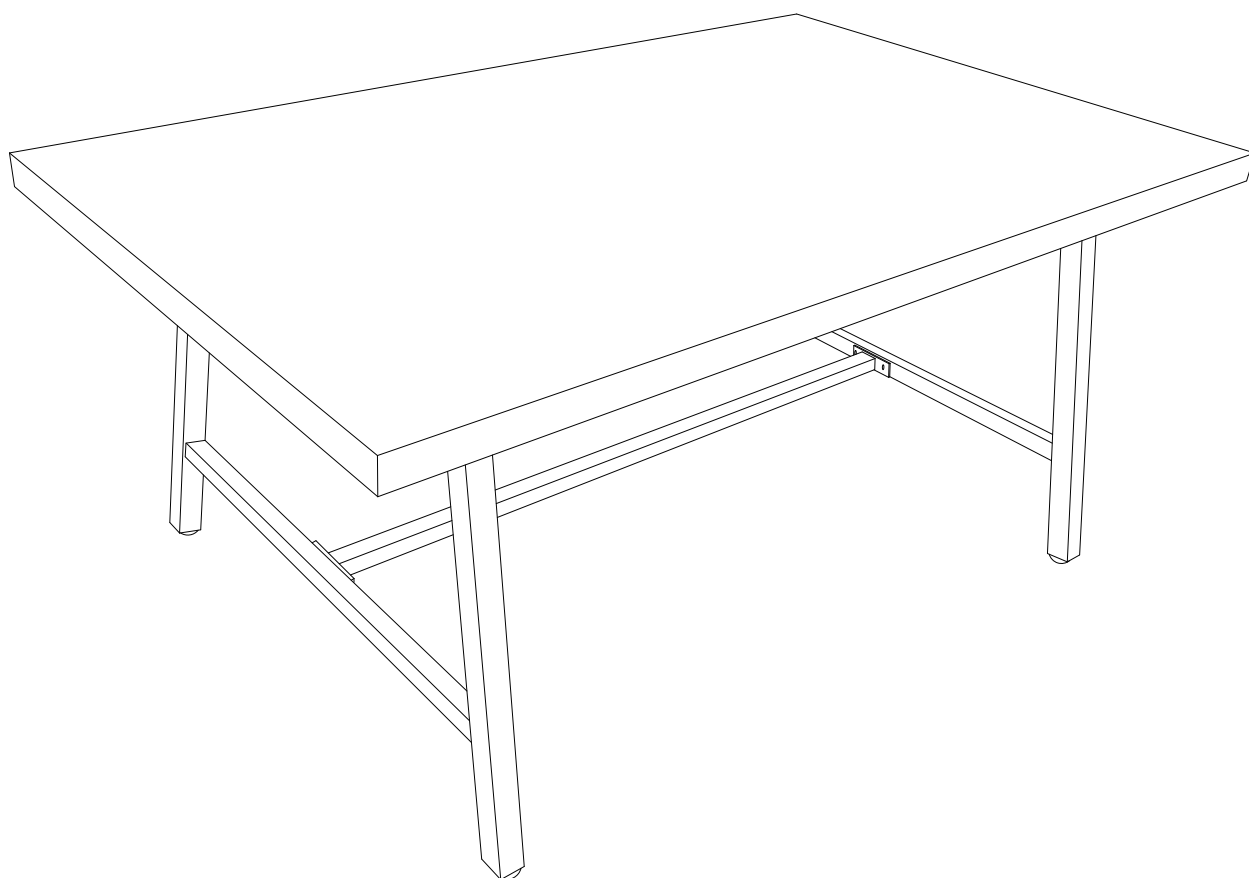
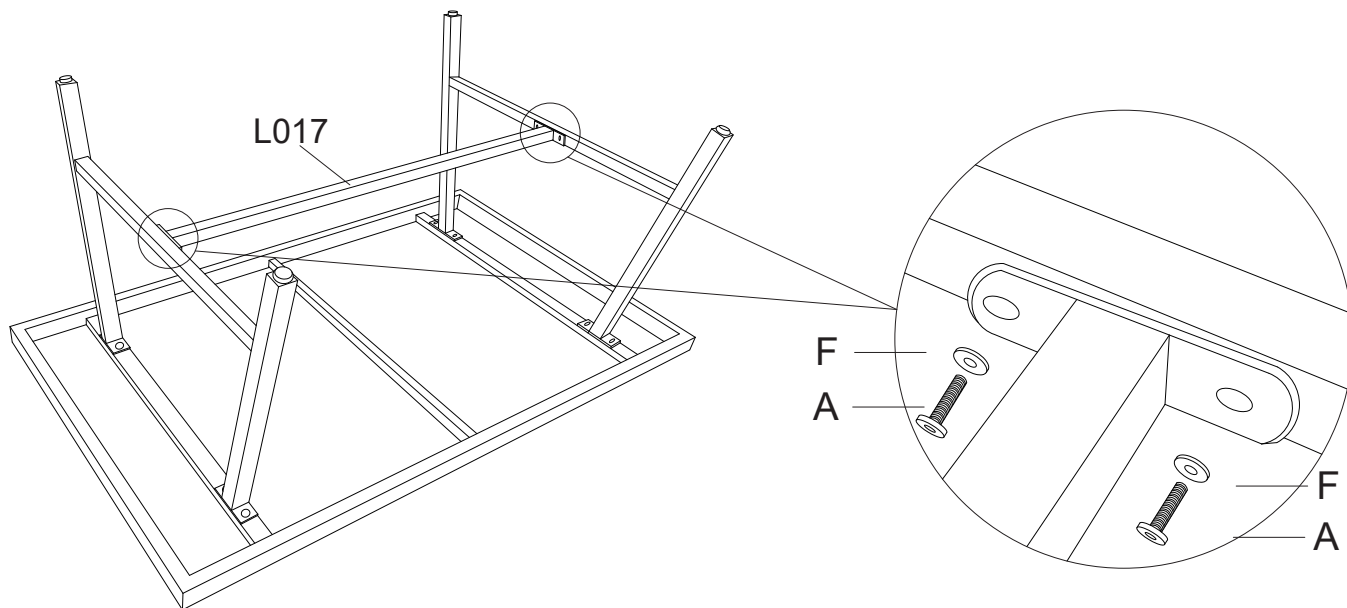
F x4



I x1

# Installation steps

**Step 3** Secure the Coffee Table Legs(L016) with Coffee Table Leg Connector Rod(L017).**NOTE:**Now you can tighten all the screws.



 L017 x1

 A x4

 F x4

 I x1