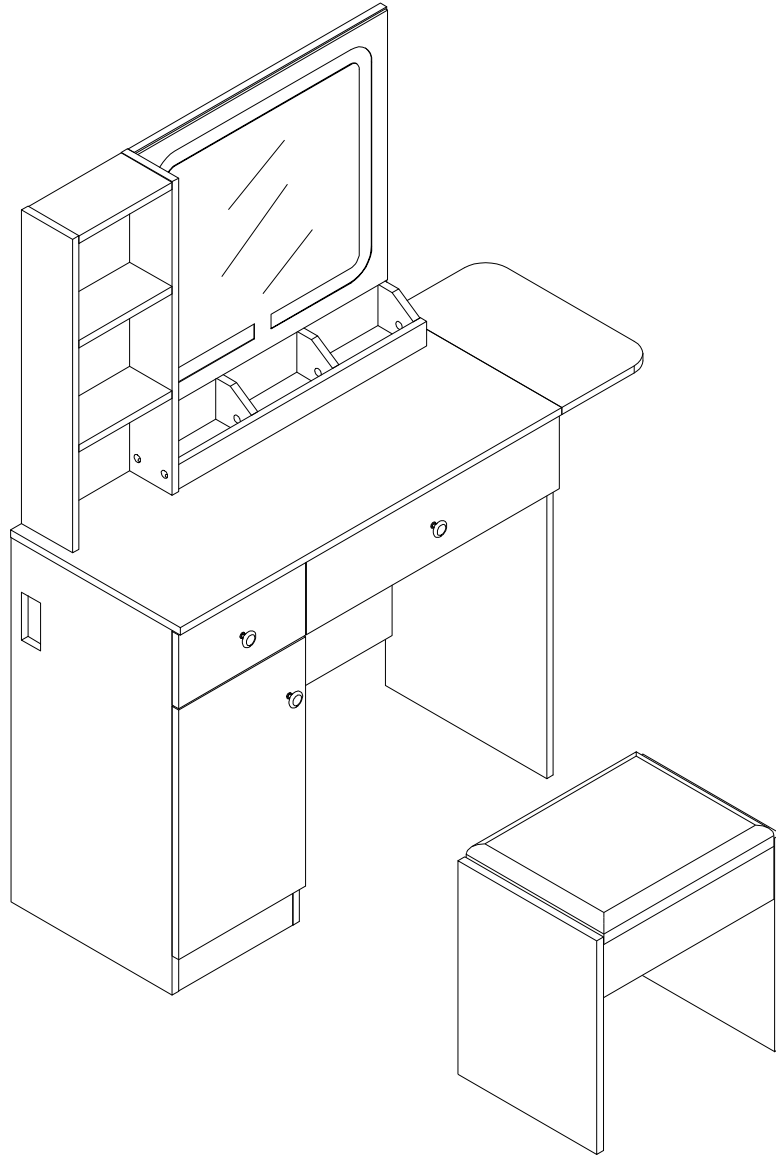
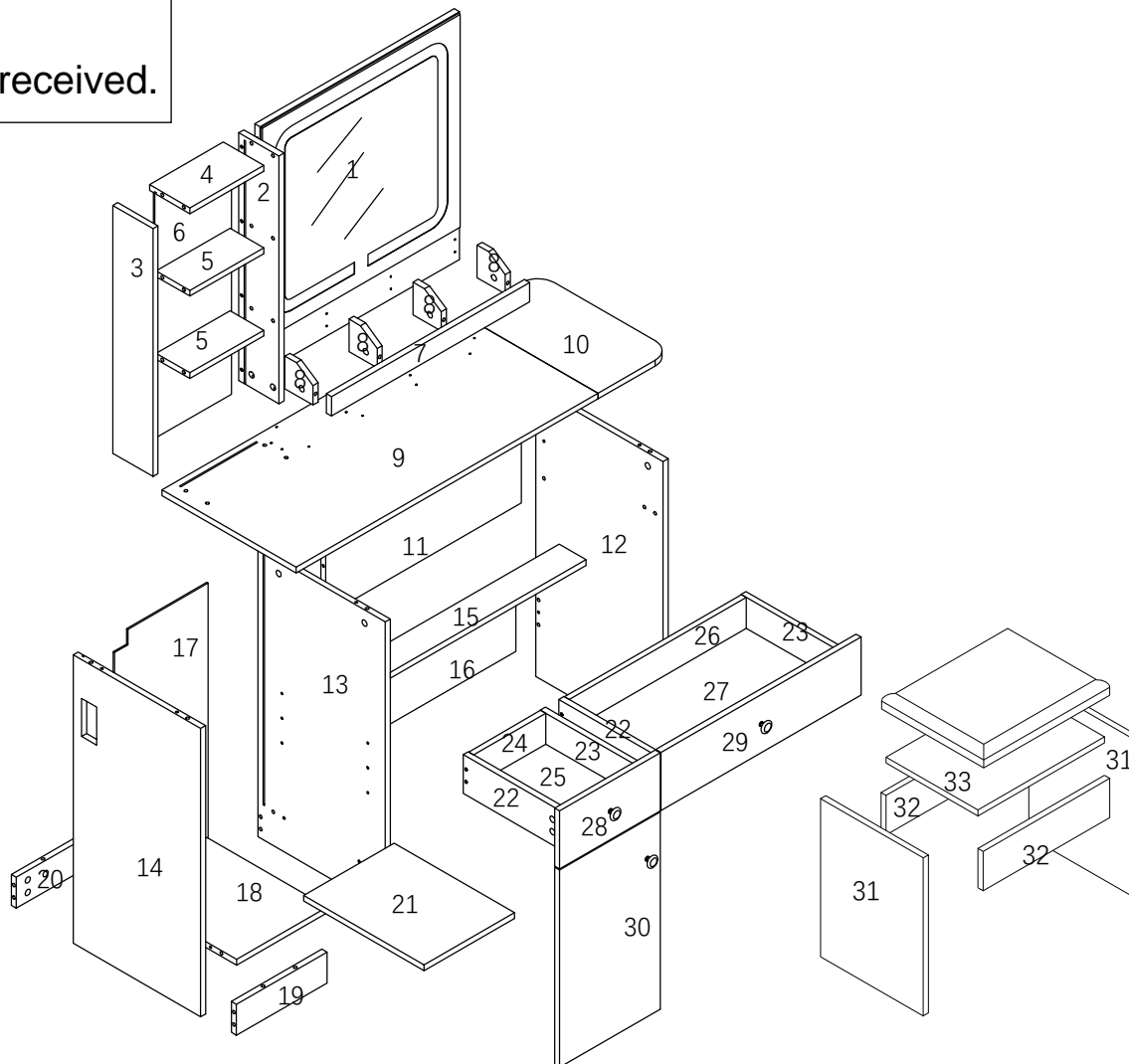
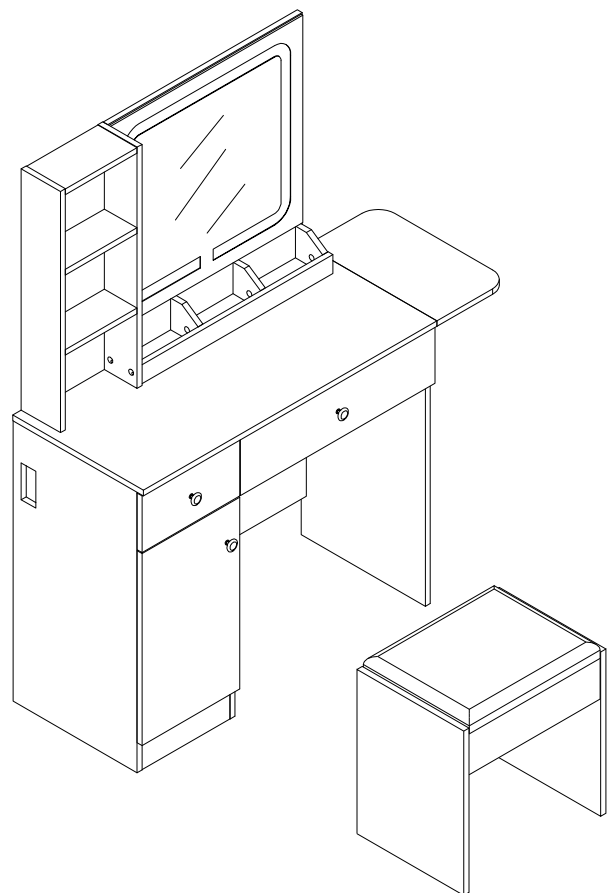
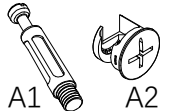
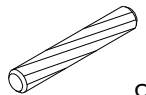
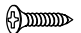

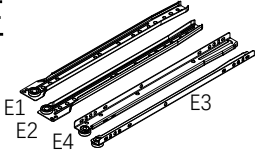




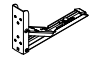
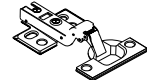


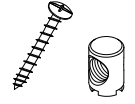


# TABLE

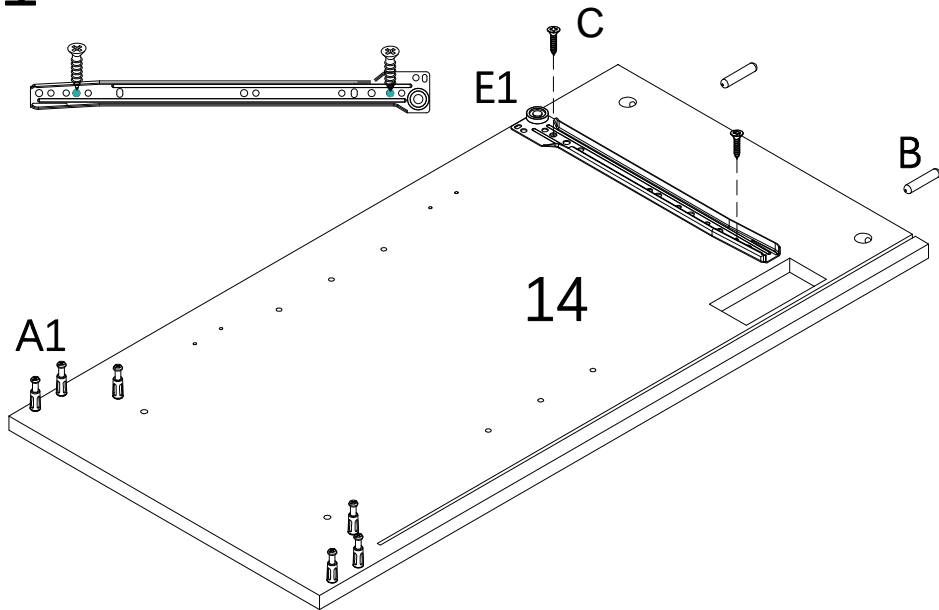


The product has two packages,  
and assembly will begin after both packages are received.



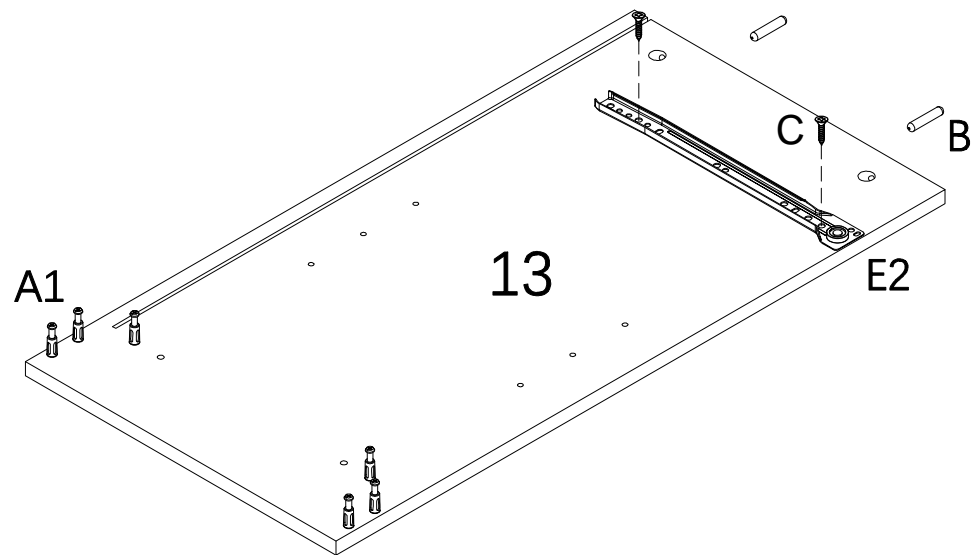
<p><b>A</b></p>  <p>A1 A2 64SETS</p>	<p><b>B</b></p>  <p>27PCS 8*40</p>	<p><b>C</b></p>  <p>3.5*14 48PCS</p>	<p><b>D</b></p>  <p>3PCS</p>	<p><b>E</b></p>  <p>E1 E2 E3 E4 2SETS</p>	<p><b>F</b></p>  <p>4PCS</p>	<p><b>G</b></p>  <p>1PC</p>
<p><b>H</b></p>  <p>8PCS</p>	<p><b>L</b></p>  <p>10PCS</p>	<p><b>M</b></p>  <p>2PCS</p>	<p><b>N</b></p>  <p>2PCS</p>	<p><b>O</b></p>  <p>2PCS</p>	<p><b>P</b></p>  <p>3.5*35 36PCS</p>	<p><b>Q</b></p>  <p>6SETS</p>

1



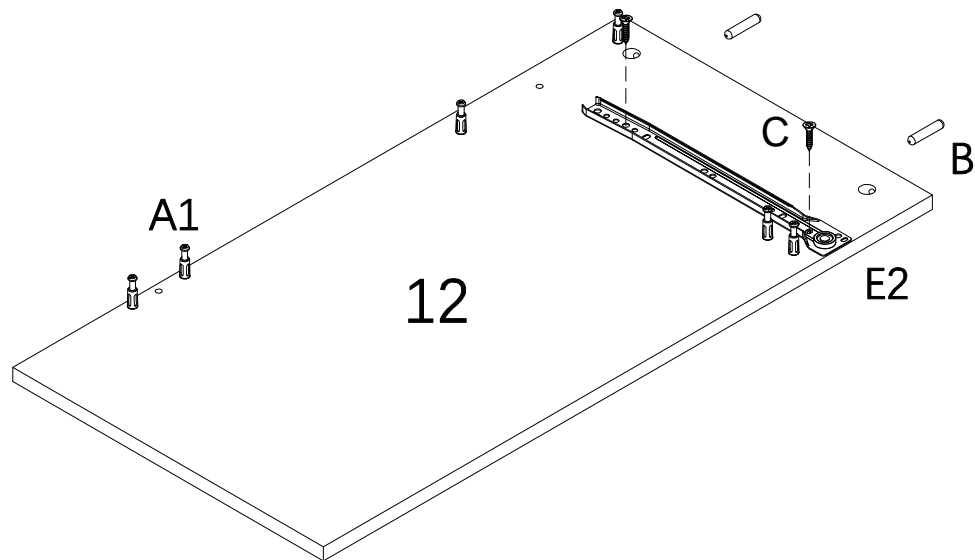
E1\*1 A1\*6 B\*2 C\*2

2



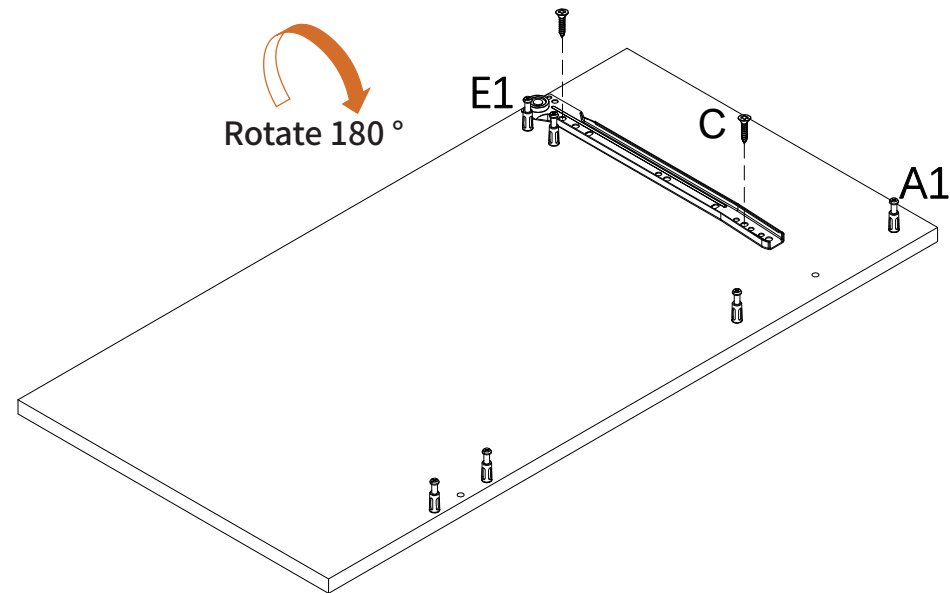
E1\*1 A1\*6 B\*2 C\*2

3



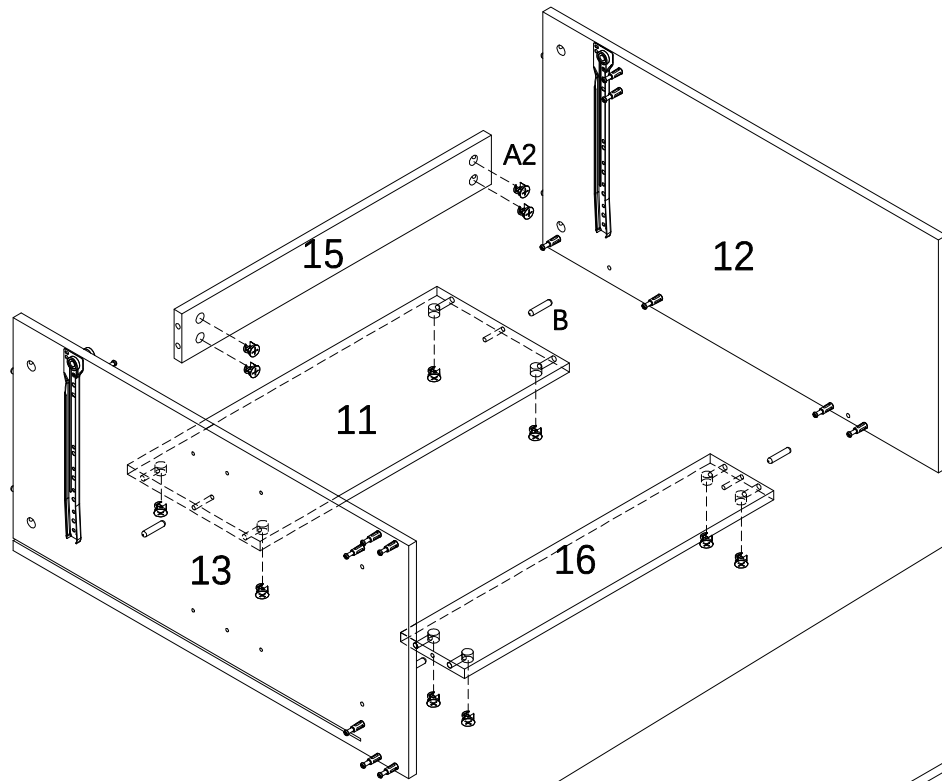
E2\*1 A1\*6 B\*2 C\*2

Rotate 180°



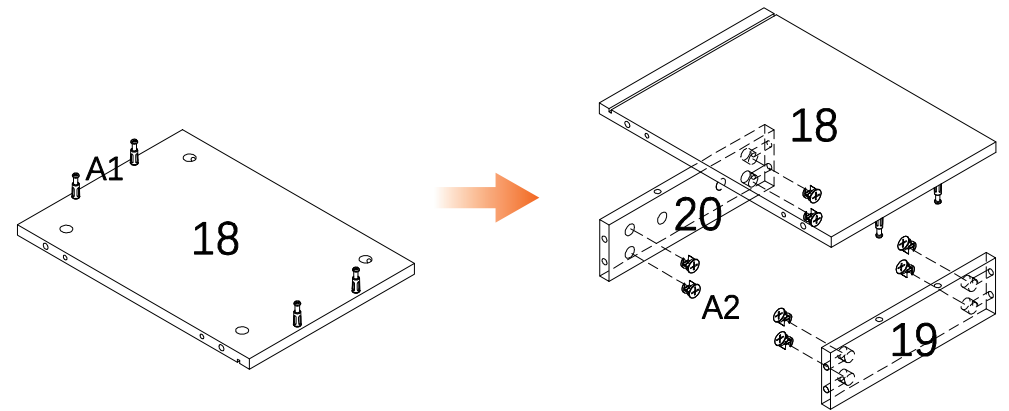
E1\*1 E2\*1 A1\*12 B\*2 C\*4

4



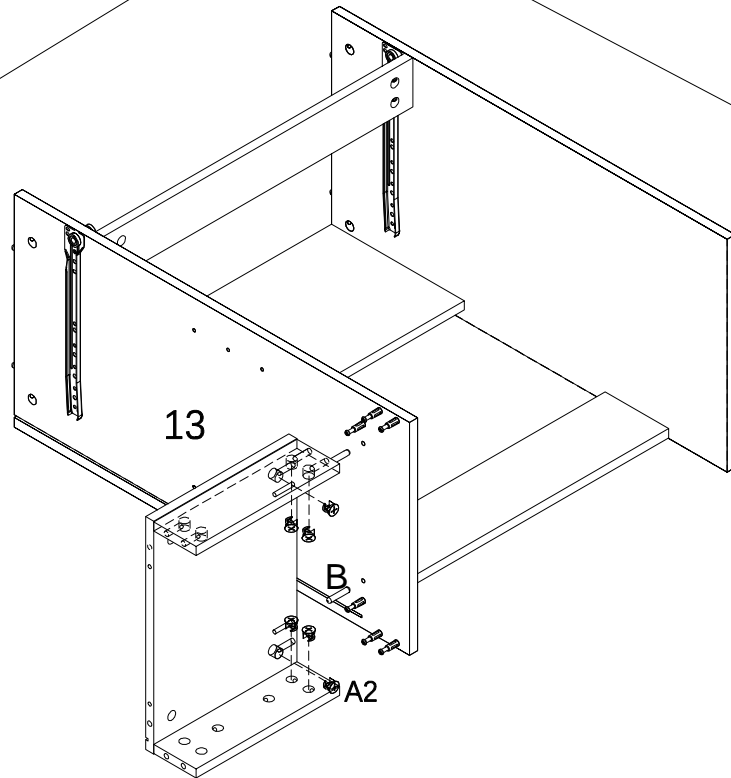
A2\*12 B\*4

5



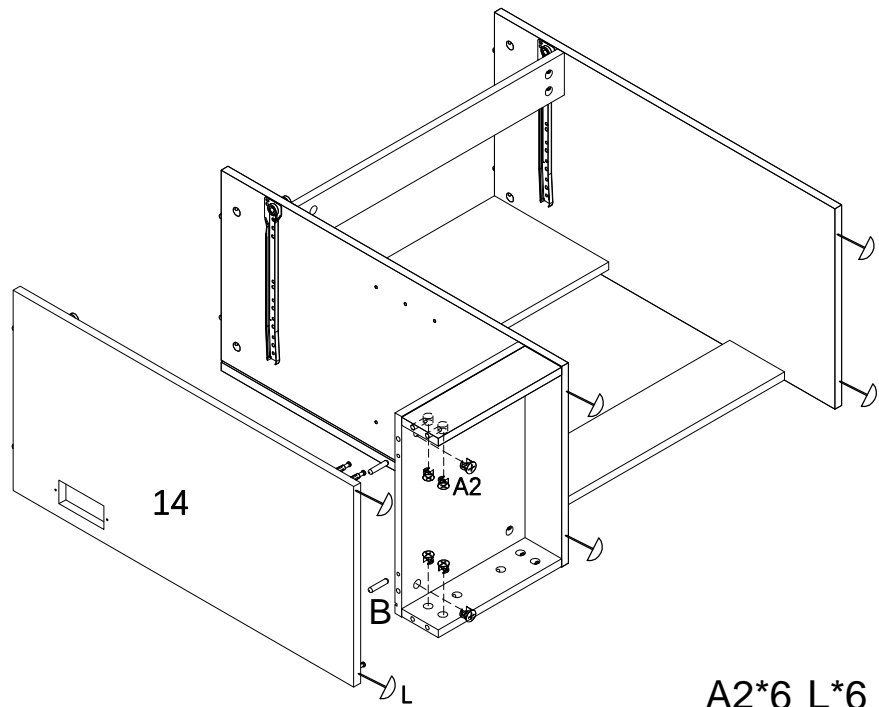
A\*4

6



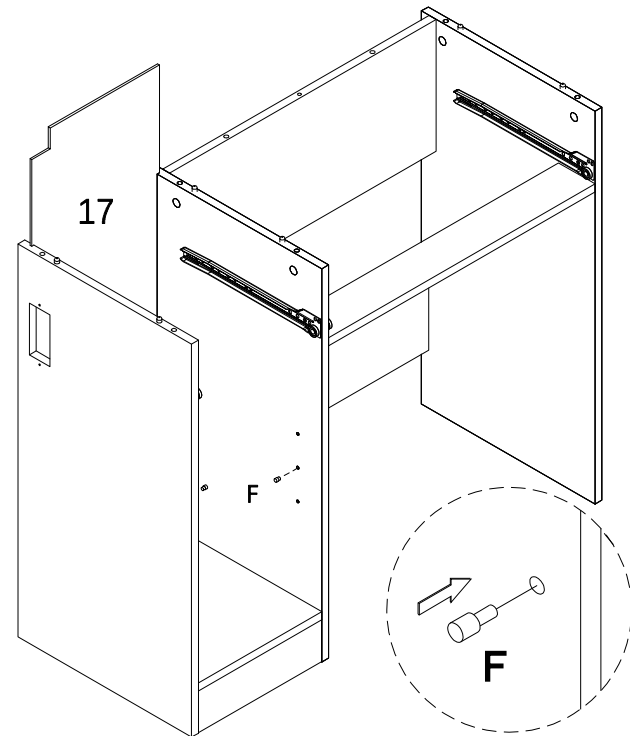
A2\*6 B\*2

7



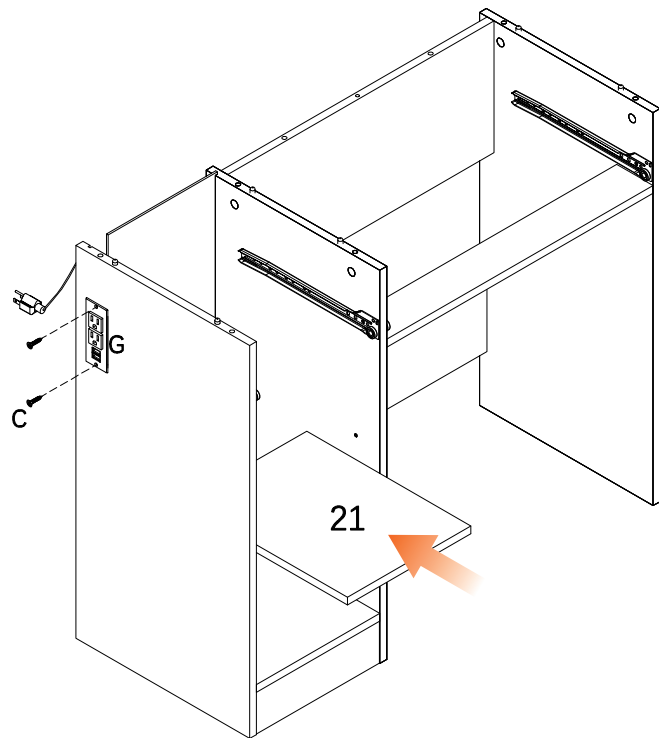
A2\*6 L\*6 B\*2

8



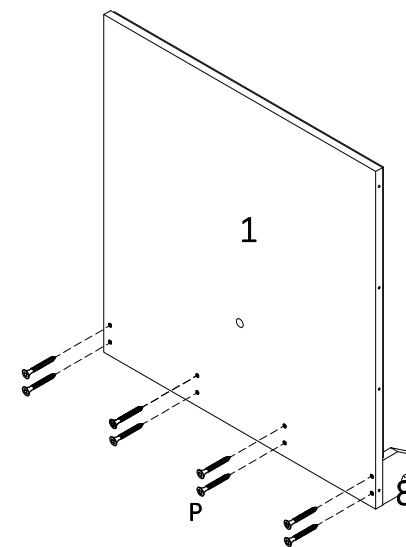
F\*4

9



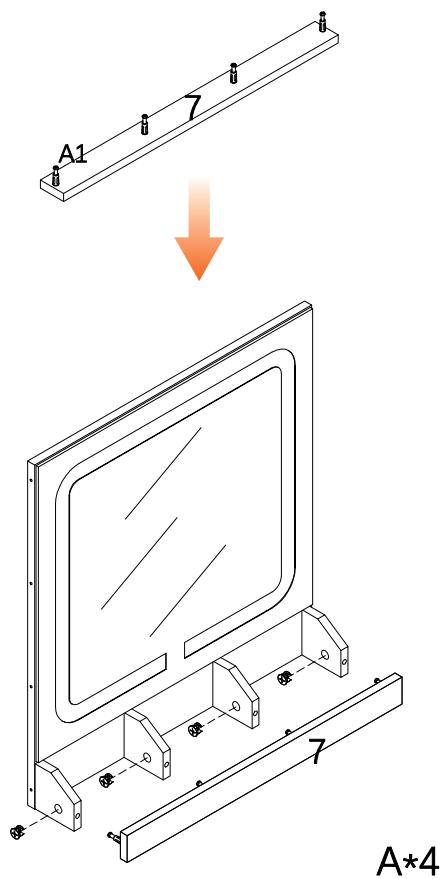
G\*1 C\*2

10



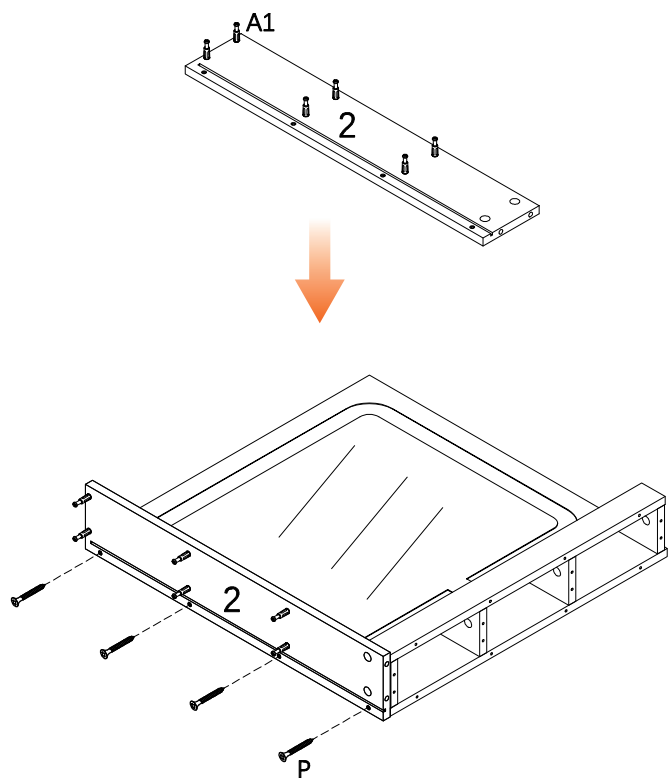
P\*8

11



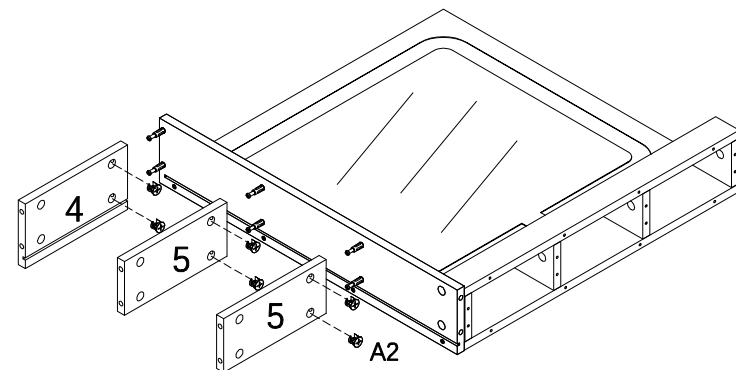
A\*4

12



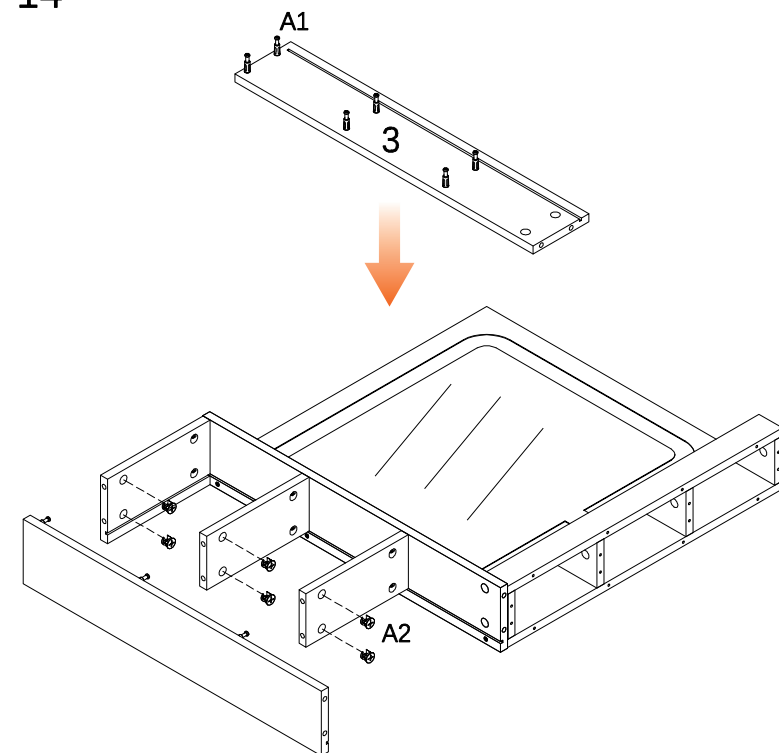
A1\*6 P\*4

13



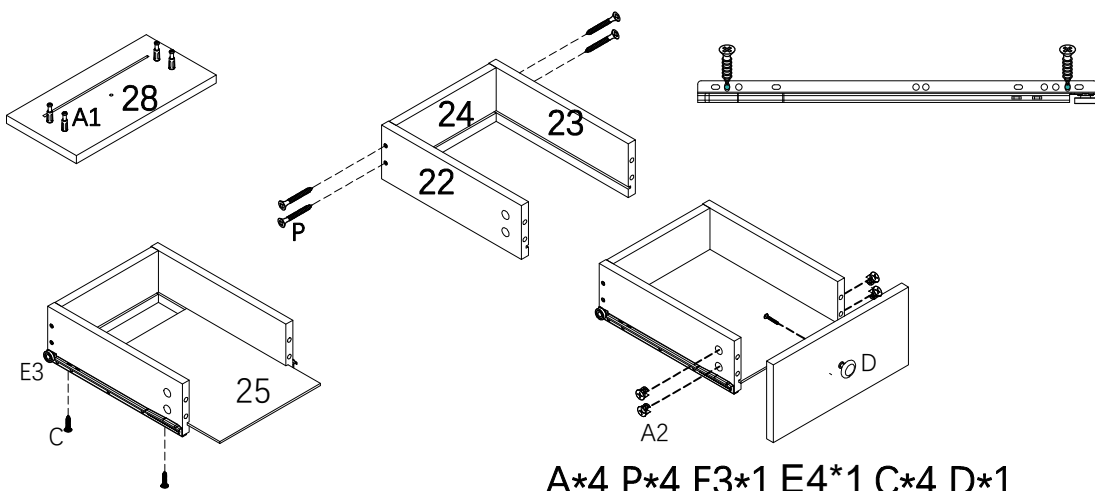
A2\*6

14



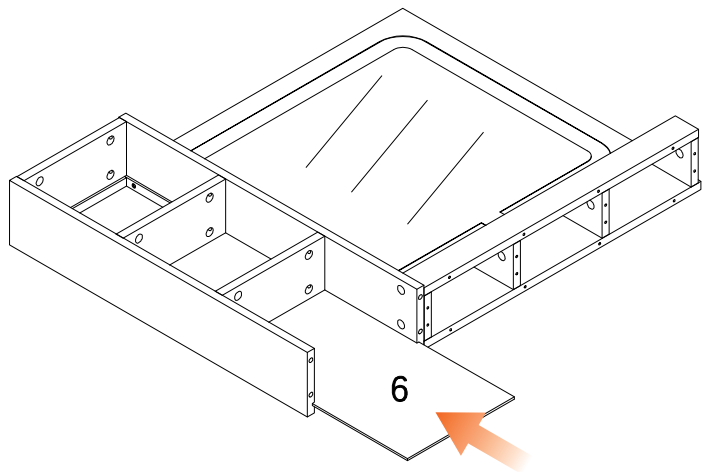
A\*6

15

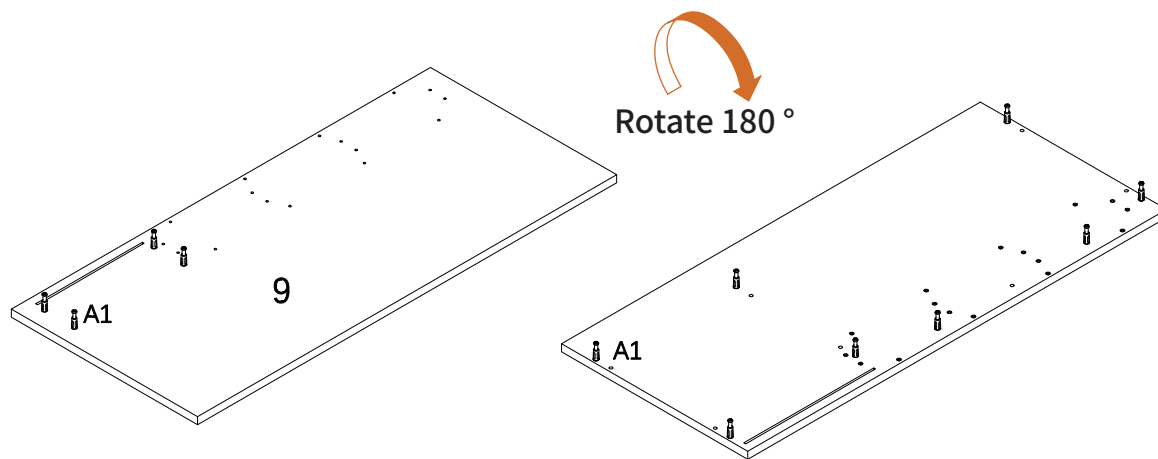


A\*4 P\*4 E3\*1 E4\*1 C\*4 D\*1

16

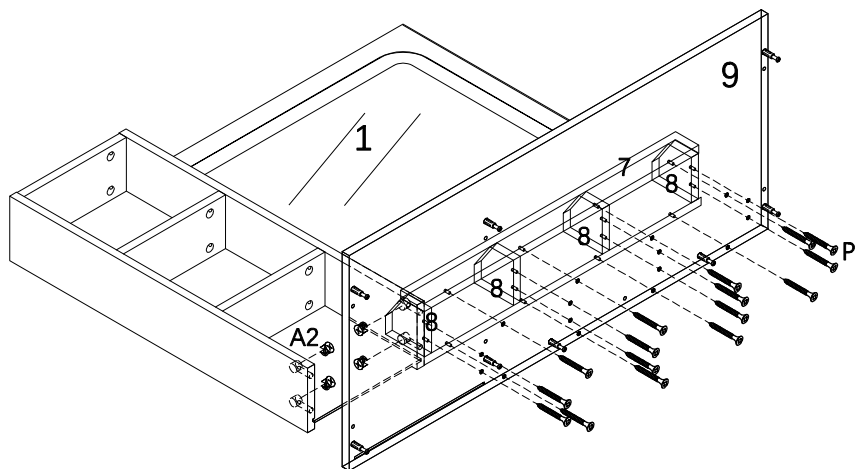


17



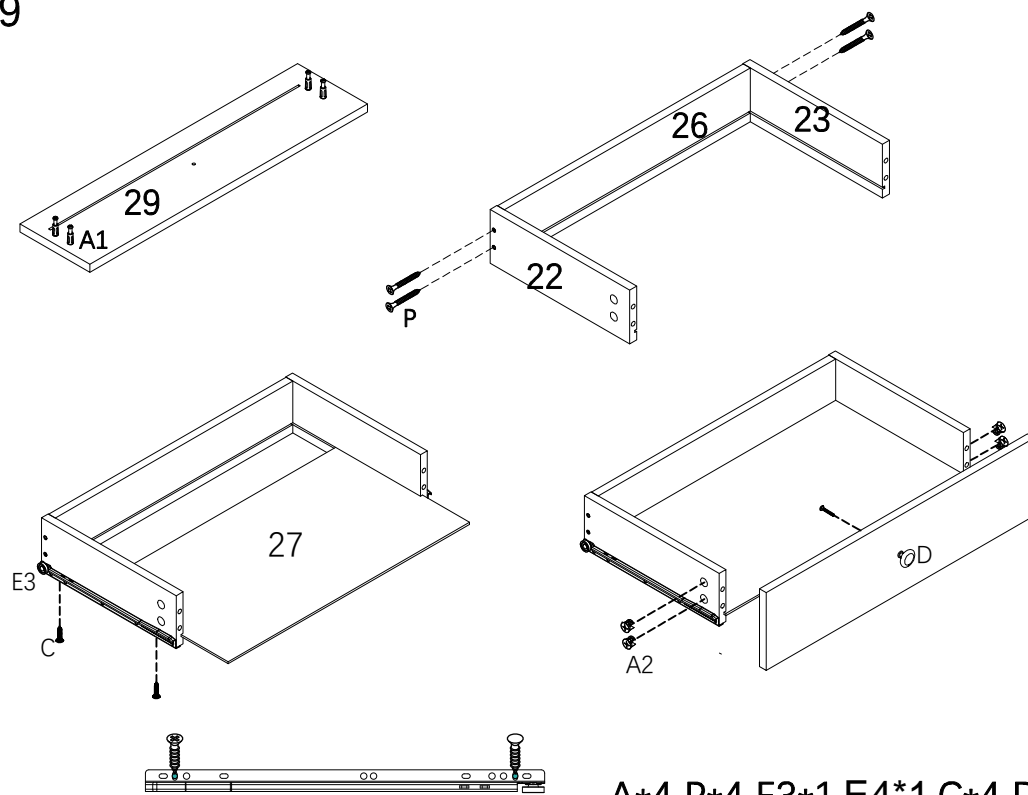
A1\*12

18



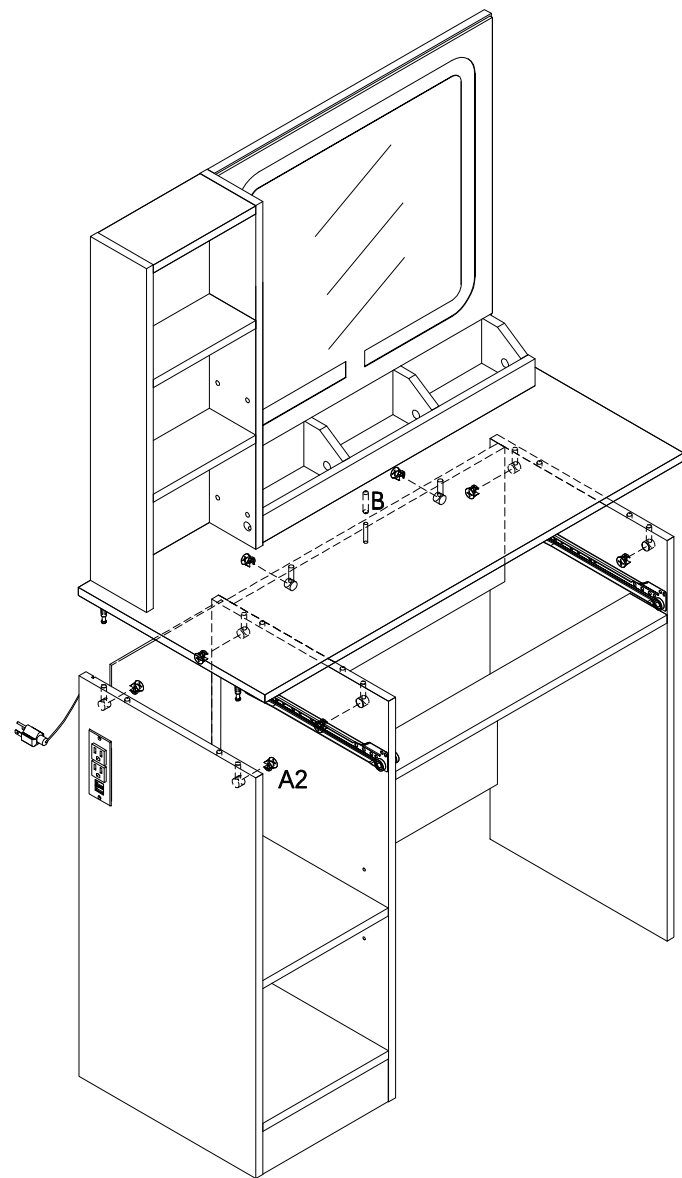
A2\*4 P\*16

19



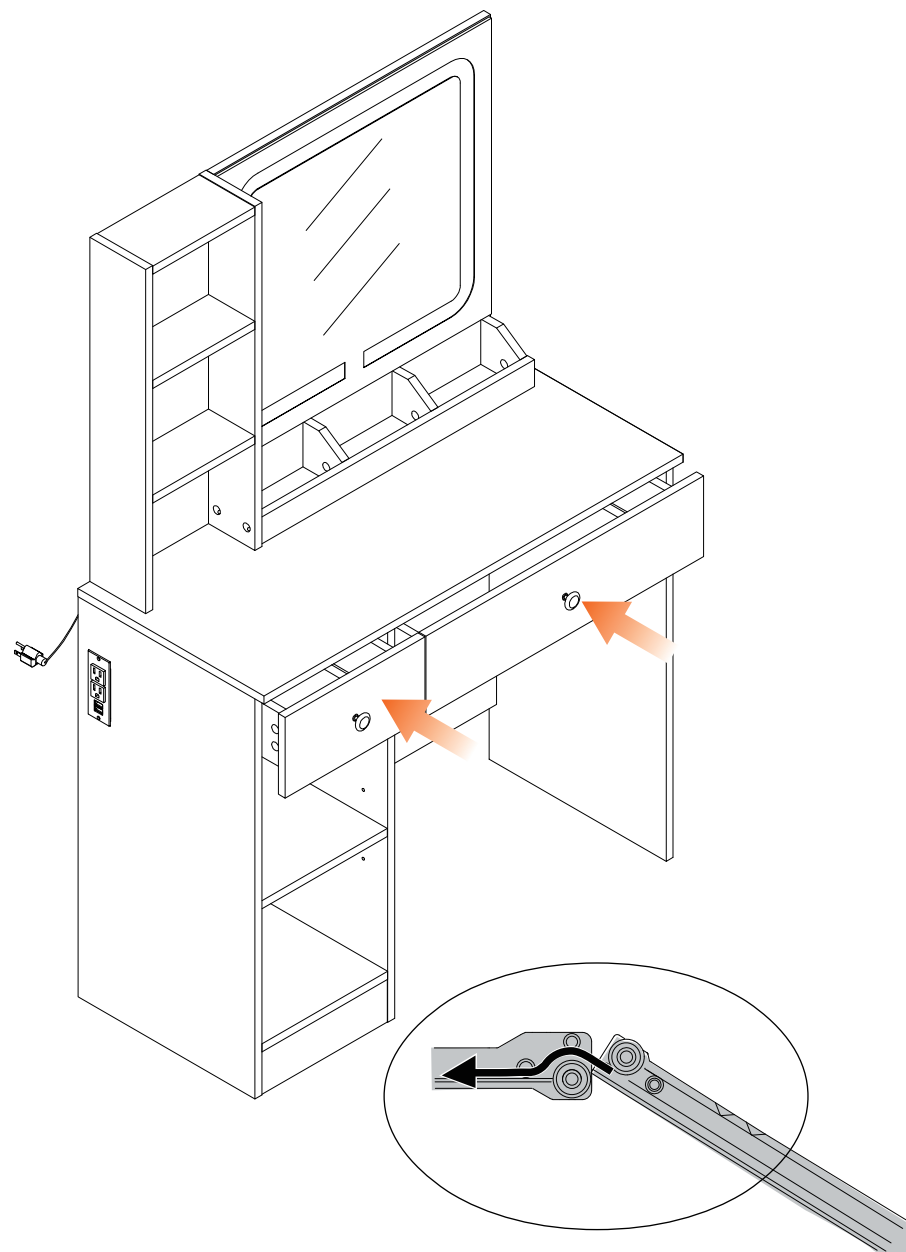
A\*4 P\*4 E3\*1 E4\*1 C\*4 D\*1

20

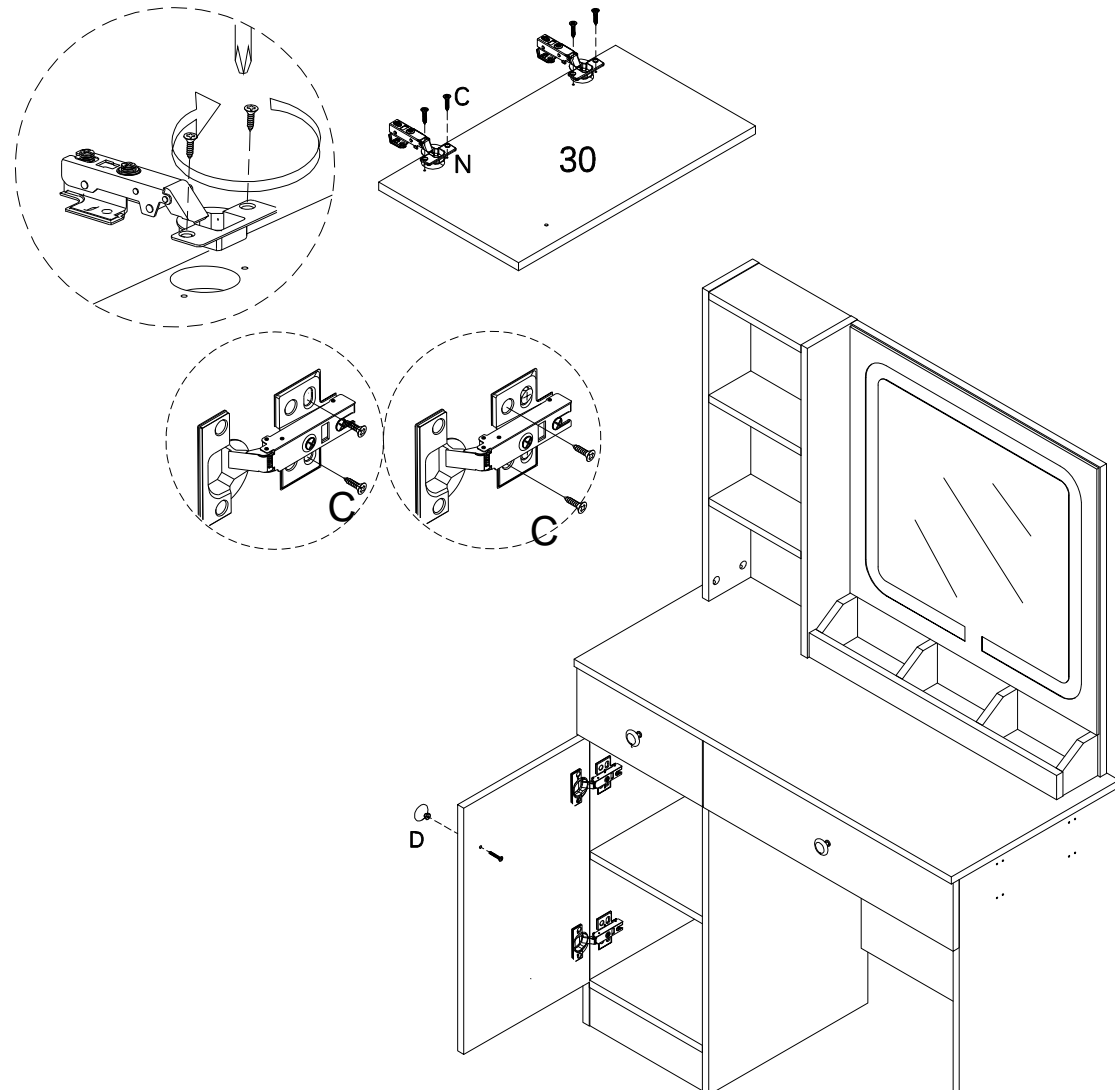


A2\*8 B\*1

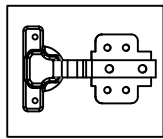
21



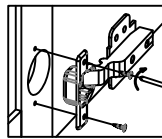
22



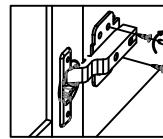
Installation method of hinge



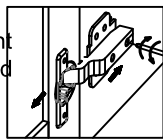
Tighten the lead holes



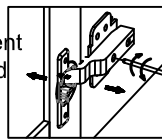
Align at the lead hole and don't twist it tightly



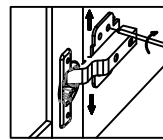
Adjustment of front and back



Adjustment of left and right

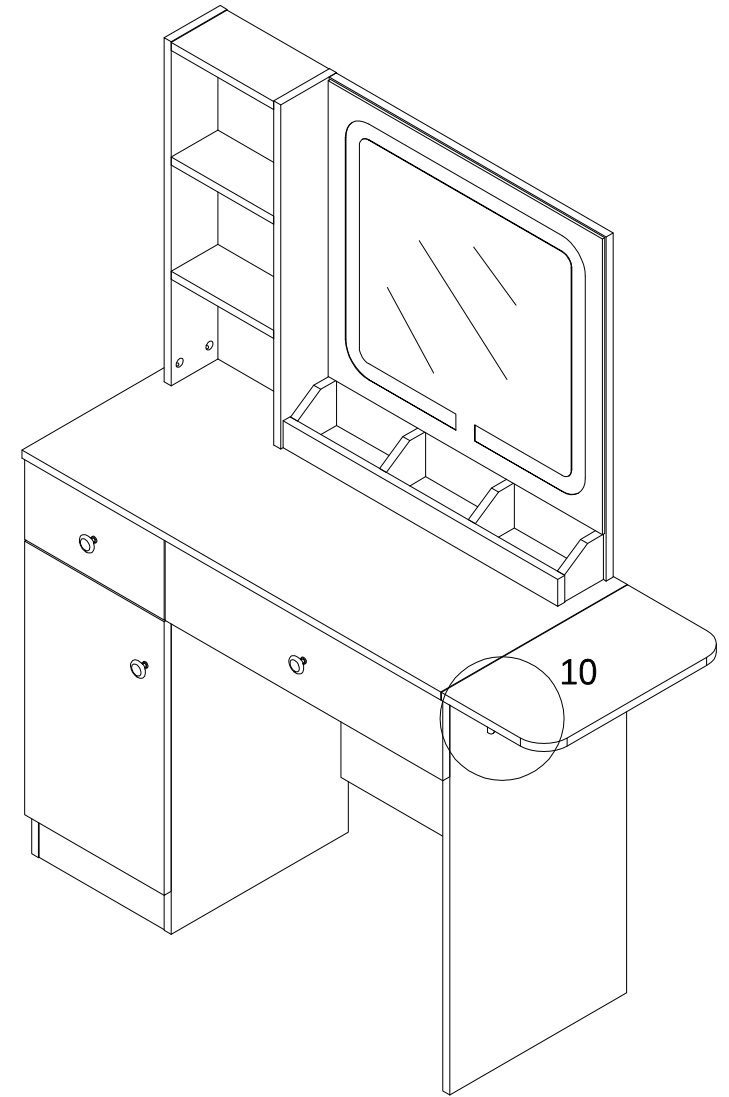


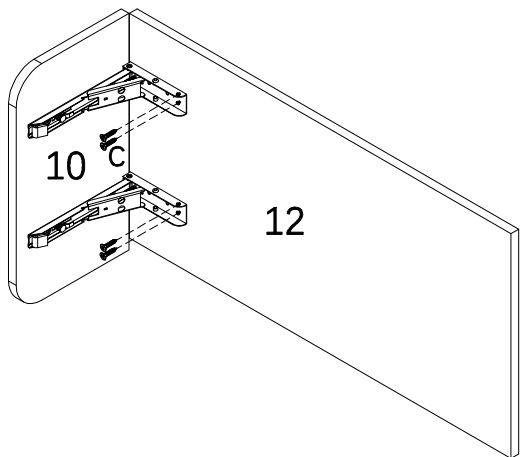
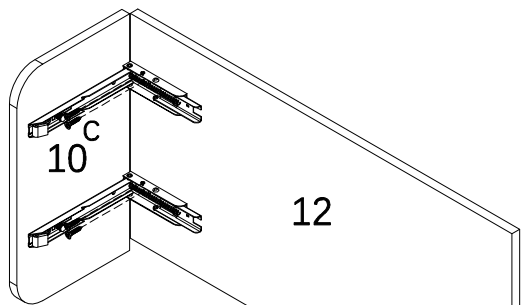
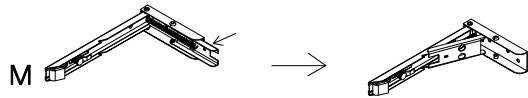
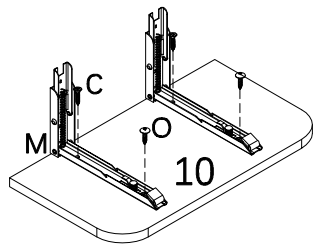
Tighten after proper adjustment up and down



N\*2 C\*12 D\*1

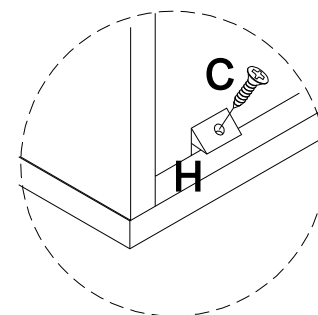
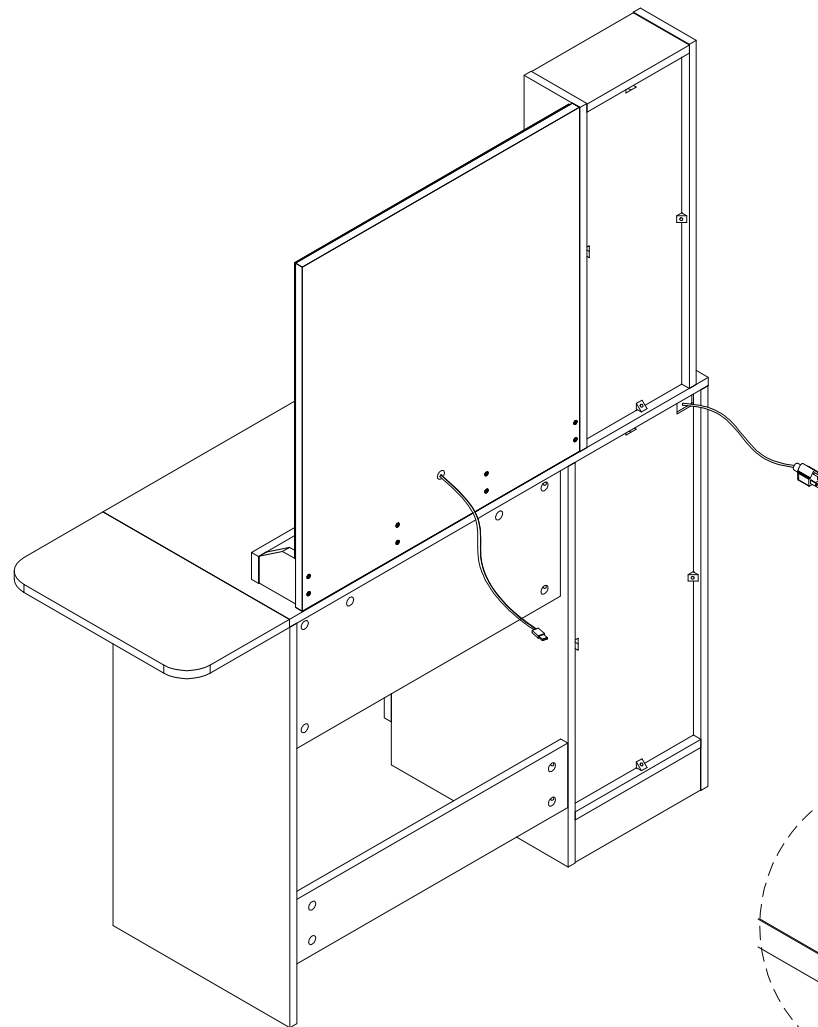
23





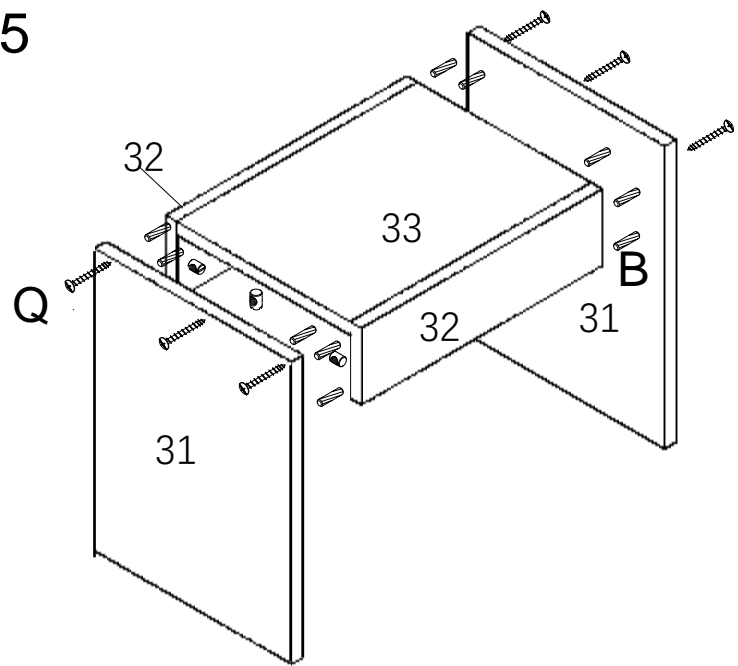
M\*2C\*10 O\*2

24



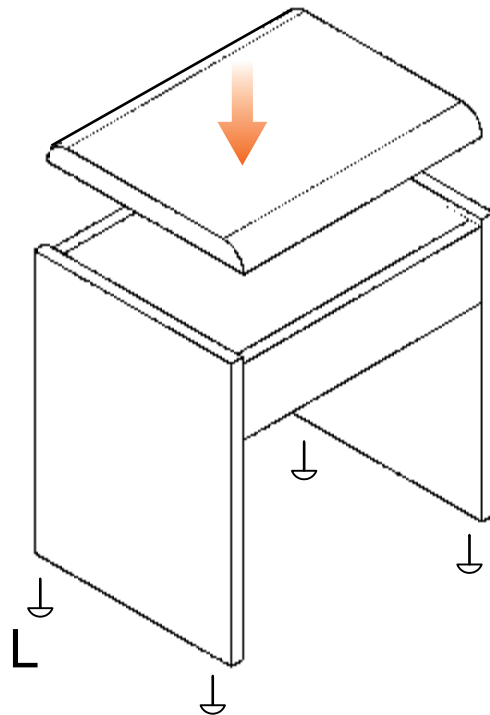
H\*8 C\*8

25



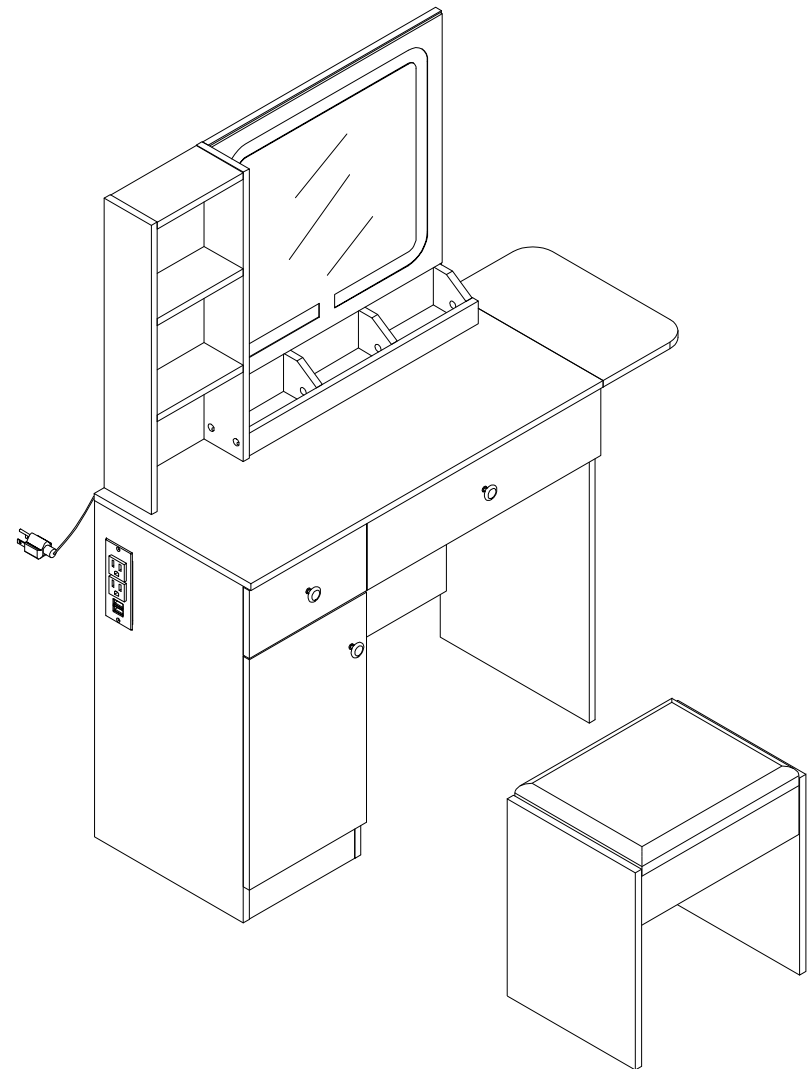
Q\*6 B\*12

26



L\*4

27



## **CONTACTUS**

***Dear customer, thank you for purchasing our products!  
We are proud to present our customers with high quality products!***



***If you have any product quality or use problems, please contact our customer service by email, we will ensure your satisfaction.***



***service2003@yeah.net***