

## *ASSEMBLY INSTRUCTIONS*



*Fine Furniture for every stage of life*

## ASSEMBLY INSTRUCTIONS

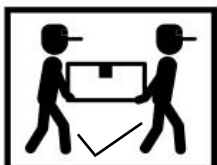
### ASSEMBLY TIPS:

- 1.Remove hardware from box and sort by size.
- 2.Please check to see that all hardware and parts are present prior to start of assembly.
- 3.Please follow attached instruction in the same sequence as numbered to assure fast & easy assembly.



### WARNING!

- 1.Don't attempt to repair or modify parts that are broken or defective. Please contact the store immediately.
- 2.This product is for home use only and not intended for commercial establishment.

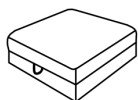


ASSEMBLY TIME

15 MINUTES

## PARTS IDENTIFICATION

A OTTOMAN  
FRAME



1PC

B LEG



4PCS

## HARDWARE IDENTIFICATION

1 SCREW



12PCS

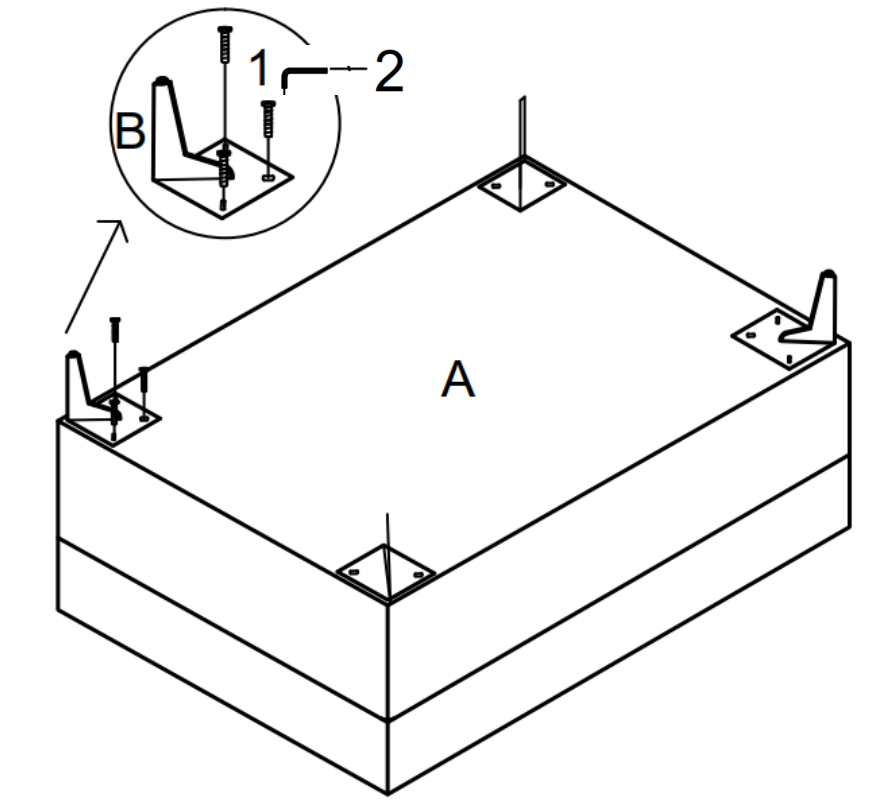
2. ALLEN WRENCH



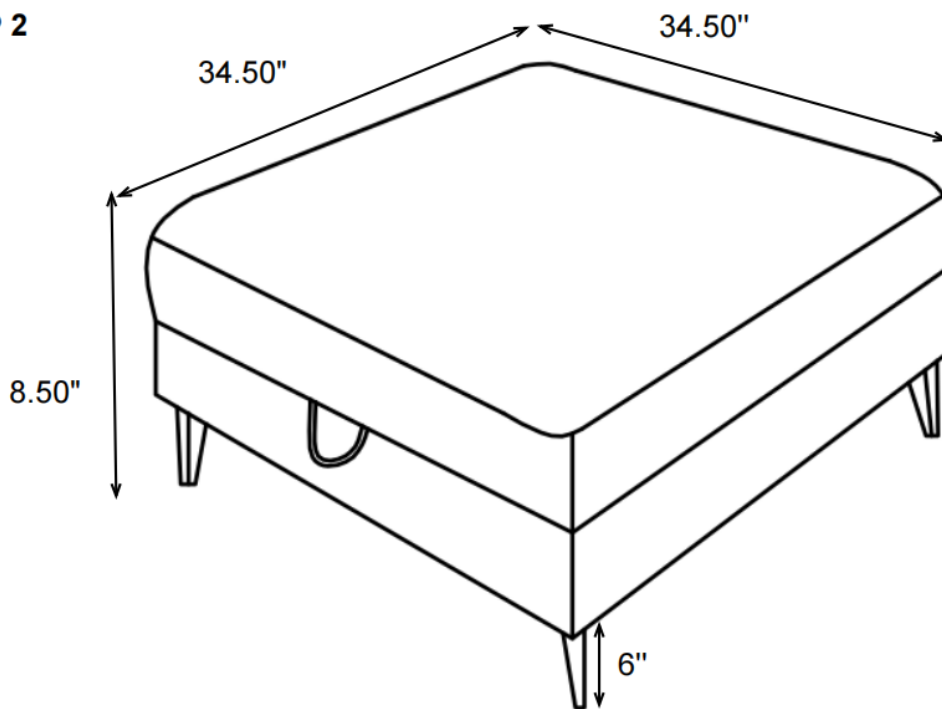
1PC

# ASSEMBLY INSTRUCTIONS

## STEP 1



## STEP 2



Note : Dimension tolerance  $\pm 5\%$

