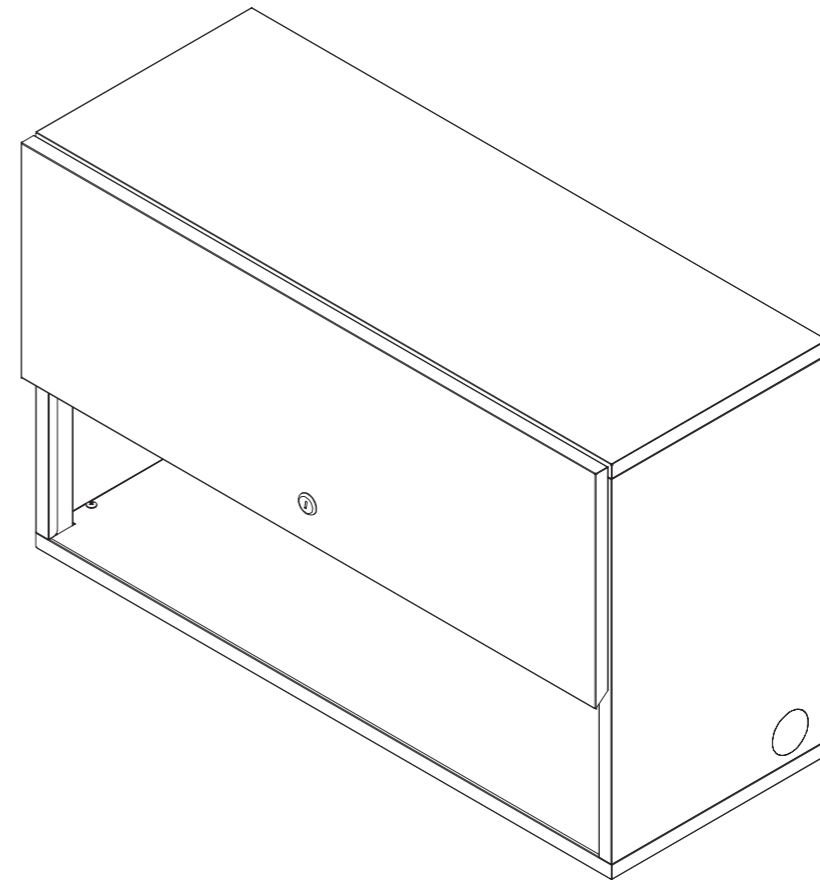
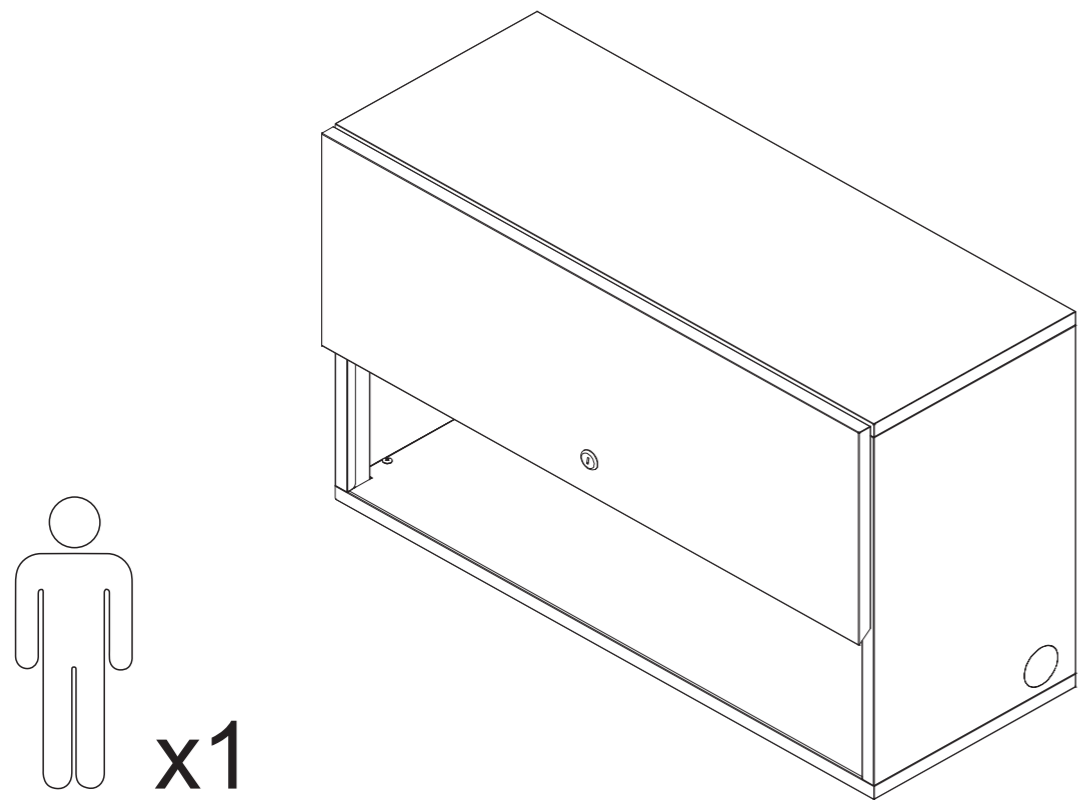


WALL STORAGE CABINET USER MANUAL



Please read the user manual carefully or refer to the installation instructions on the product details page. Thank you!

Thanks for purchasing one of our products! Please read the instructions carefully before installation.



This is the original instruction.
The appearance of the product shall be subject to the product you received. Please forgive us that we won't inform you again if there are any technology or software updates on our product.

PRODUCT PARAMETERS

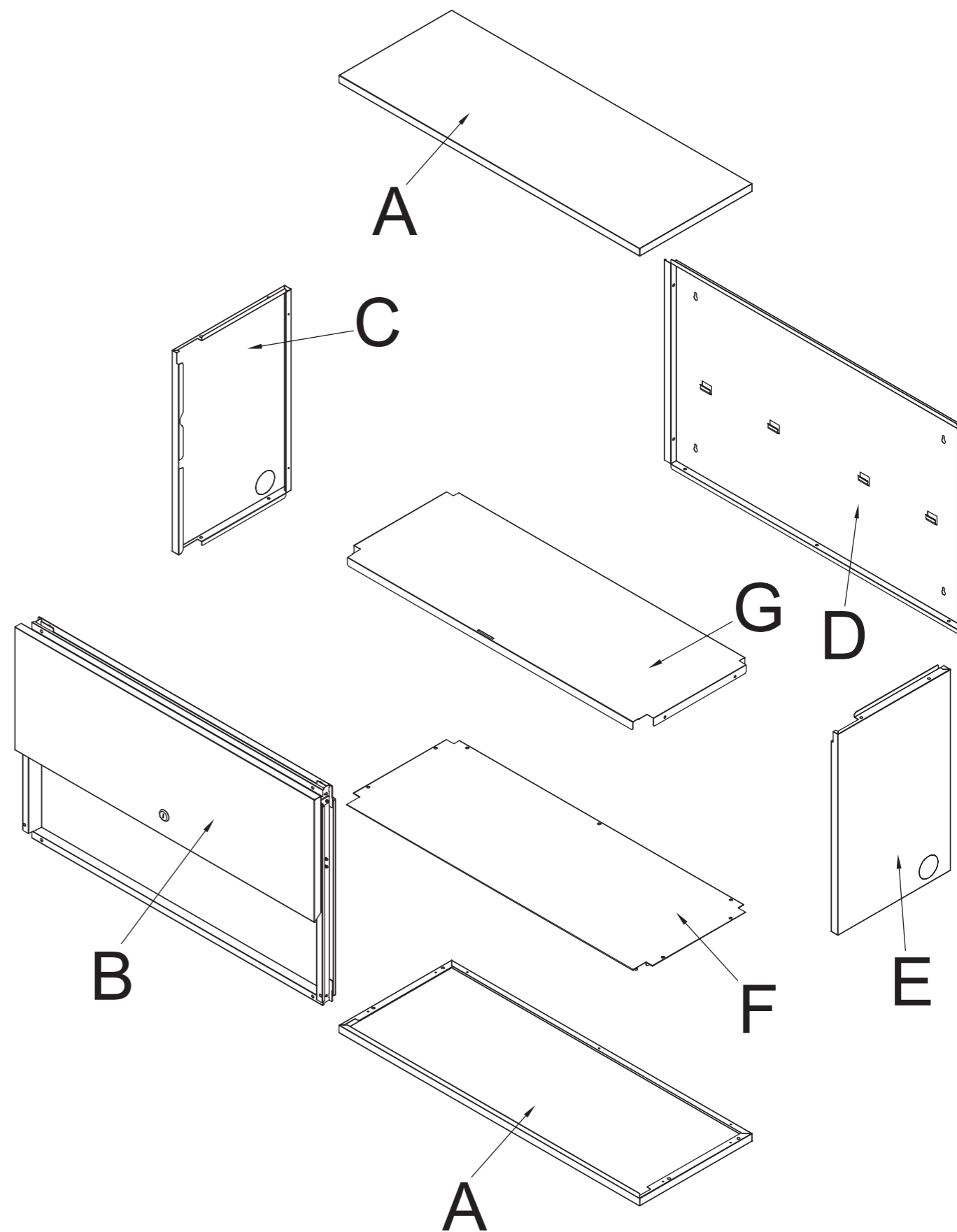
Product Size	H500xW800xD320 mm
Loading Capacity	133lbs
N.W.	11.5 Kg
G.W.	13.5 Kg

 **WARNING:**

Read this material before using this product. Failure to do so can result in serious injury. SAVE THIS MANUAL

ASSEMBLY PRECAUTIONS

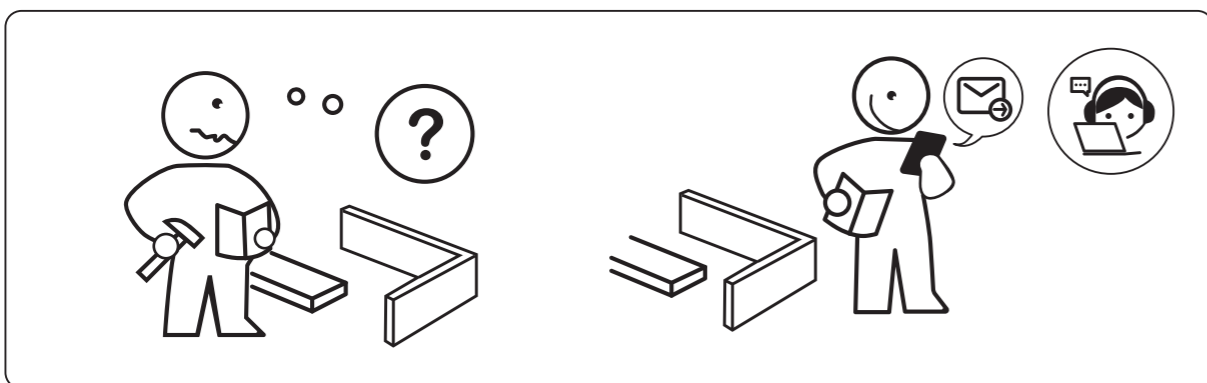
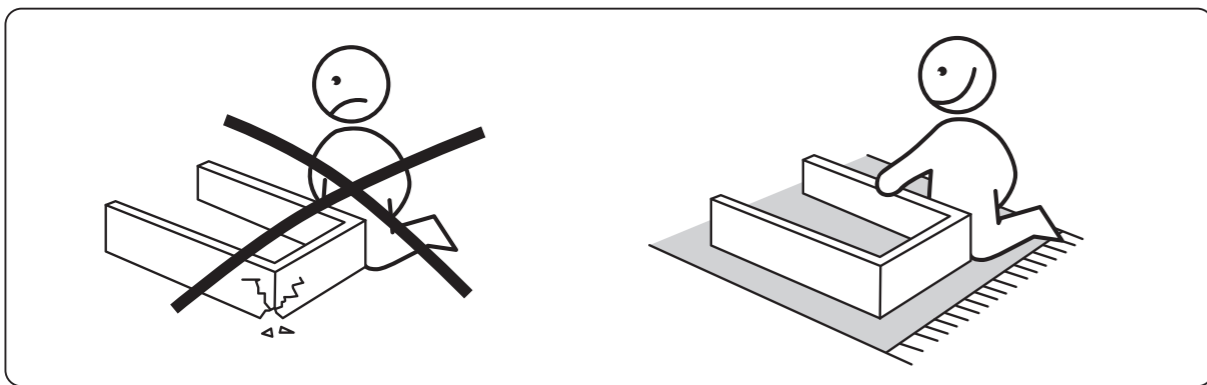
1. Assemble needs to follow these instructions. Incorrect assembly can be a hazard.
2. Wear safety goggles and heavy-duty work gloves during assembly.
3. When drilling the screws, it is recommended to choose electric screwdriver.
4. Do not assemble when tired or when under the influence of alcohol, drugs or medication.
5. Weight capacity and other product capabilities apply to a properly and completely assembled product only.
6. Keep the assembly area clean and well-lit.
7. Keep bystanders out of the area during assembly.
8. Assemble on a flat, level, hard and smooth surface.



USE PRECAUTIONS

⚠ WARNING: TO PREVENT SERIOUS INJURY AND DEATH FROM TIPPING:

1. This product is not a toy. Do not allow children to play with or approach this item.
2. Use as intended only. Do not sit or stand on the product.
3. Inspect before every use. Do not use it if parts are loose or damaged.
4. Use on flat, level, and hard surfaces only.
5. Do not exceed the listed weight capacity. Tighten all knobs securely before applying load. Be aware of dynamic loading! The sudden load movement may briefly create an excess load, causing product failure.

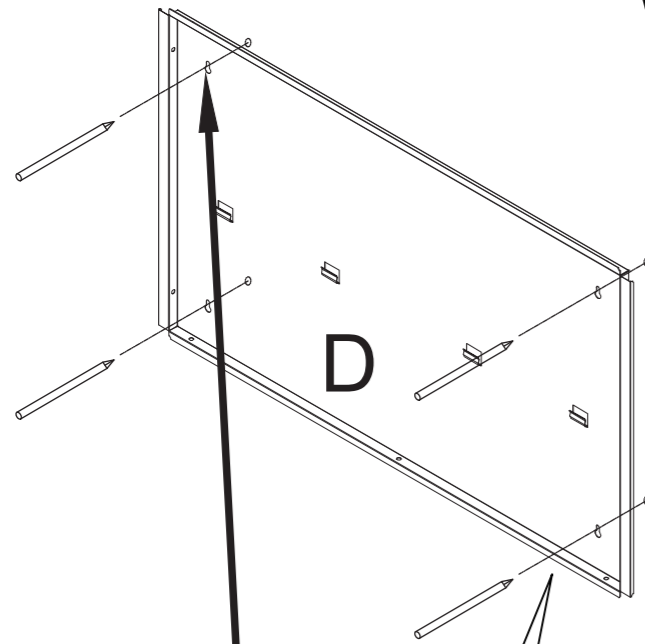


PARTS LIST

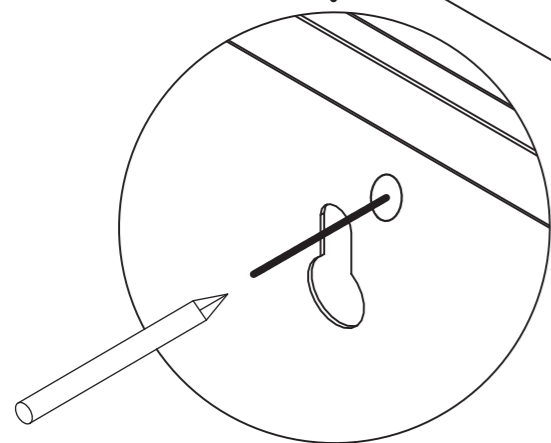
<p>Ax2</p>	<p>Bx1</p>	<p>Gx1</p>
<p>Cx1</p>	<p>Dx1</p>	<p>Ex1</p>
<p>Fx1</p>	<p>Mx2</p>	
<p>Ix4</p>	<p>Hx18</p>	<p>Kx1</p>

step 1

Wall



Before assemble the cabinet, please find the panel D and put it at a proper position on the wall for later installation. Use a pencil to mark the upper part of the four hanging holes.



7

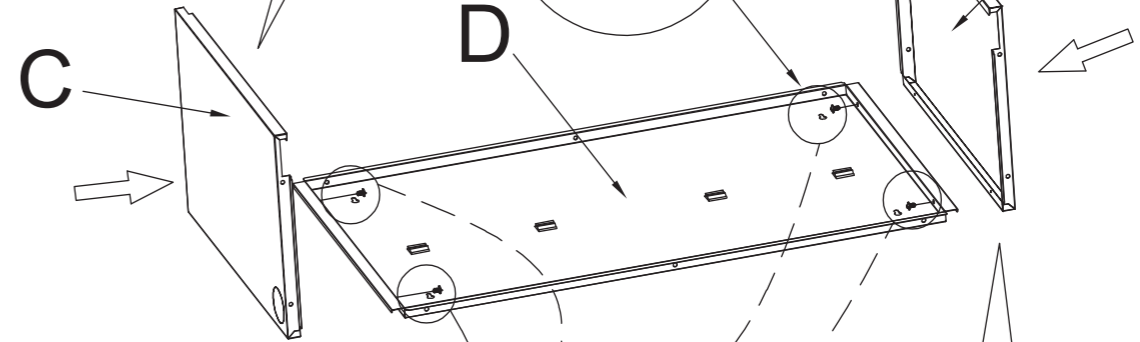
step 2

CAUTION:
Notice the direction of holes

Hx4



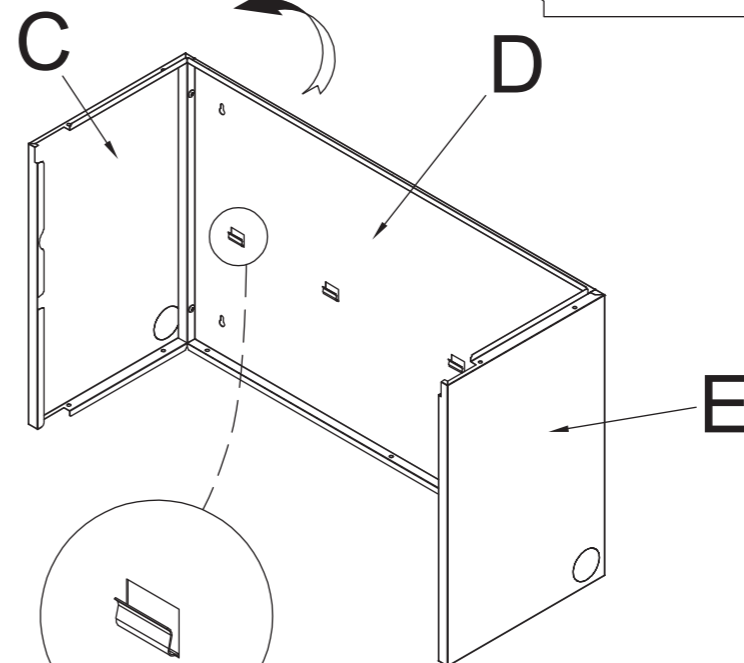
Put part C into the left side of part D.



Put part E into the right side of part D.

Hx4

Drill 4 screws from the inside.

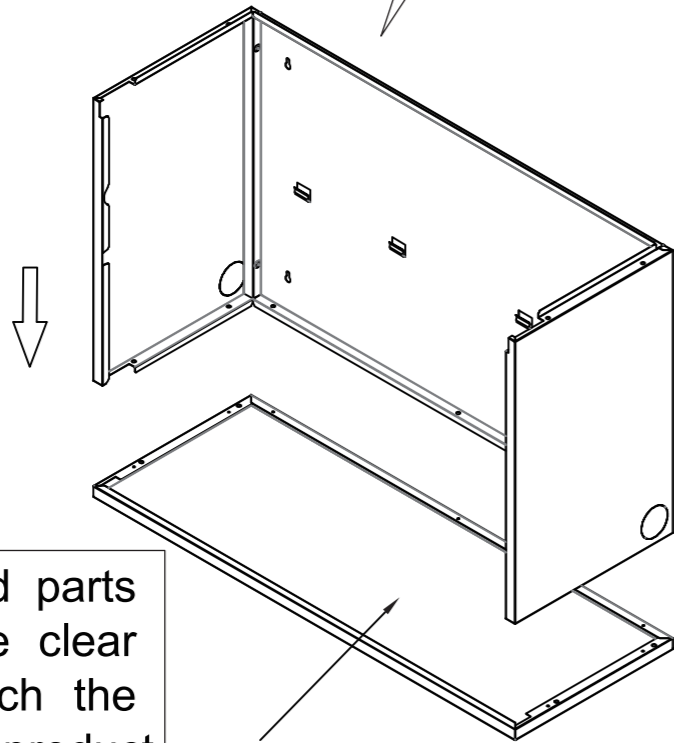


CAUTION: Notice the direction of these clips on part D.

8

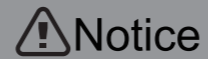
step 3

Put the assembled parts on the part A.



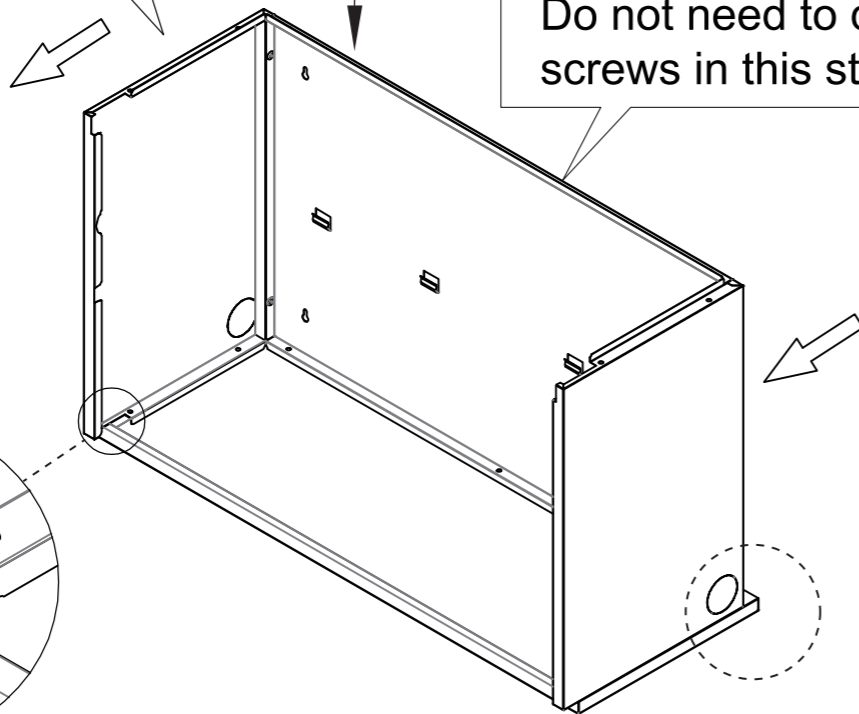
Push the assembled parts forward. (For more clear explain, please watch the video in our Amazon product page)

A



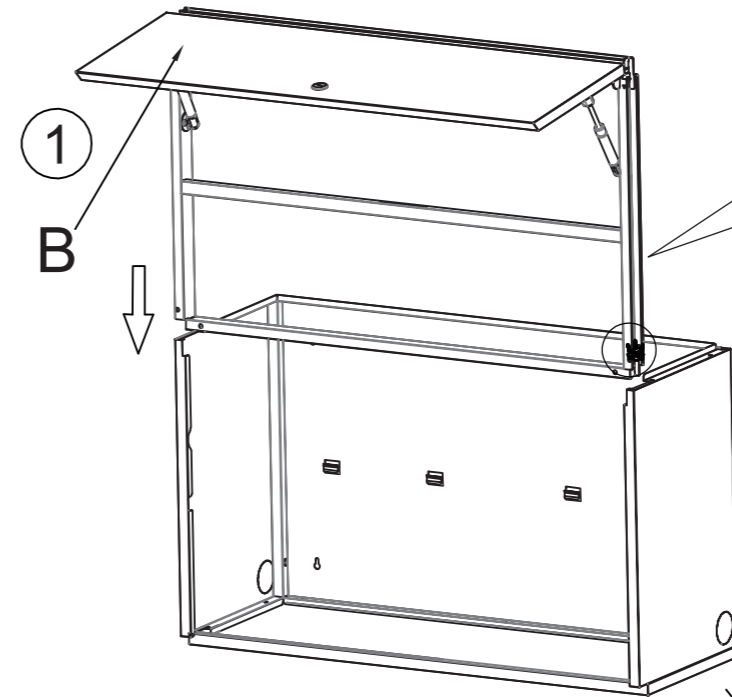
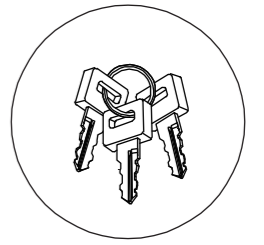
Notice

Do not need to drill screws in this step.



step 4

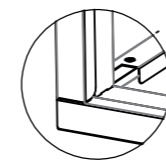
Please take out the keys before installing.



Open the door and insert the part B from top to bottom.



3

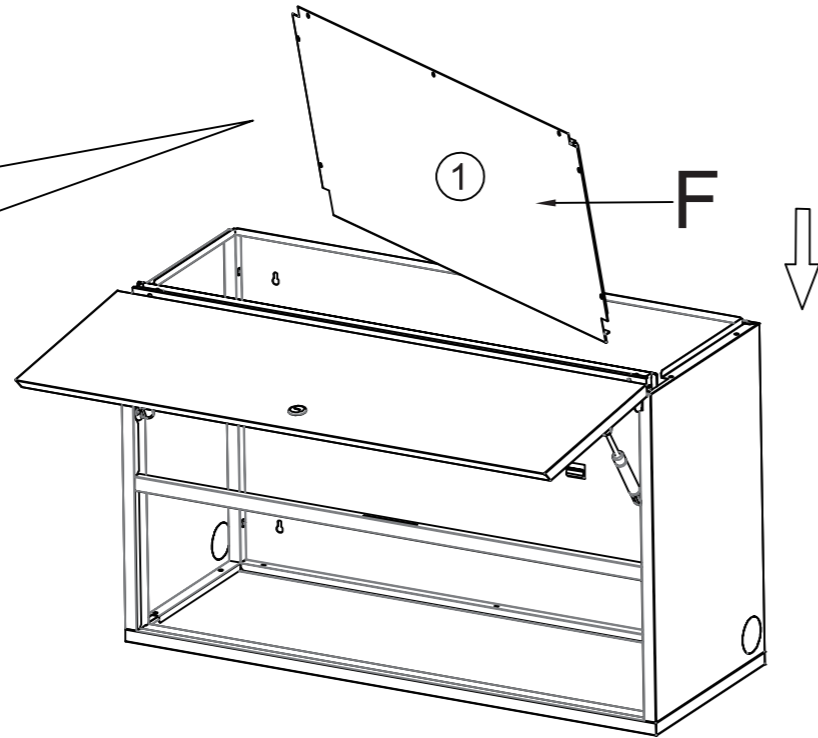


A

Push the whole upper parts back. Make sure the screw holes are showed correctly.

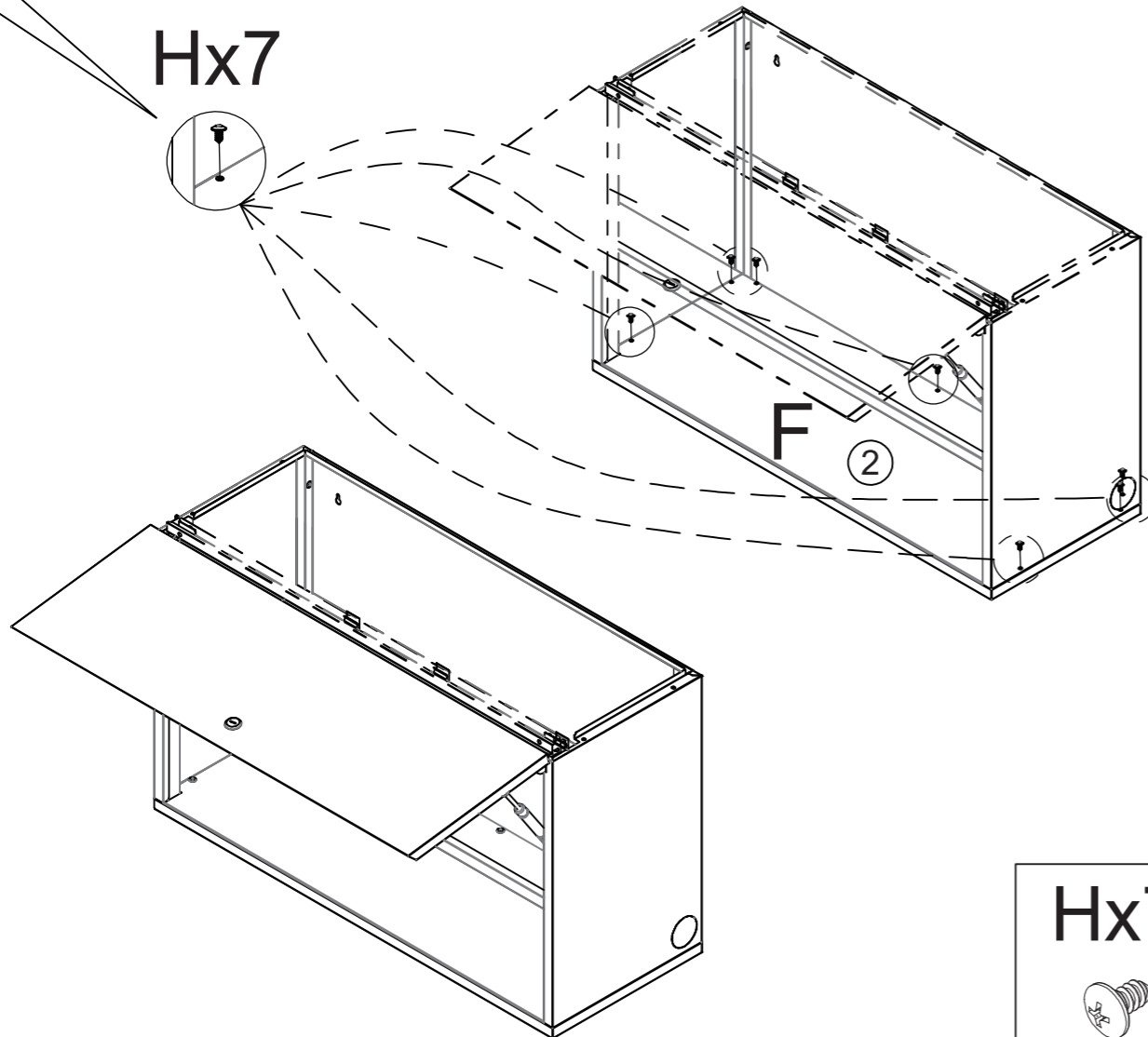
step 5

Insert part F into the cabinet obliquely and push it vertically down to the end by following the direction of ②.



Drill 7 screws from the inside.

Hx7

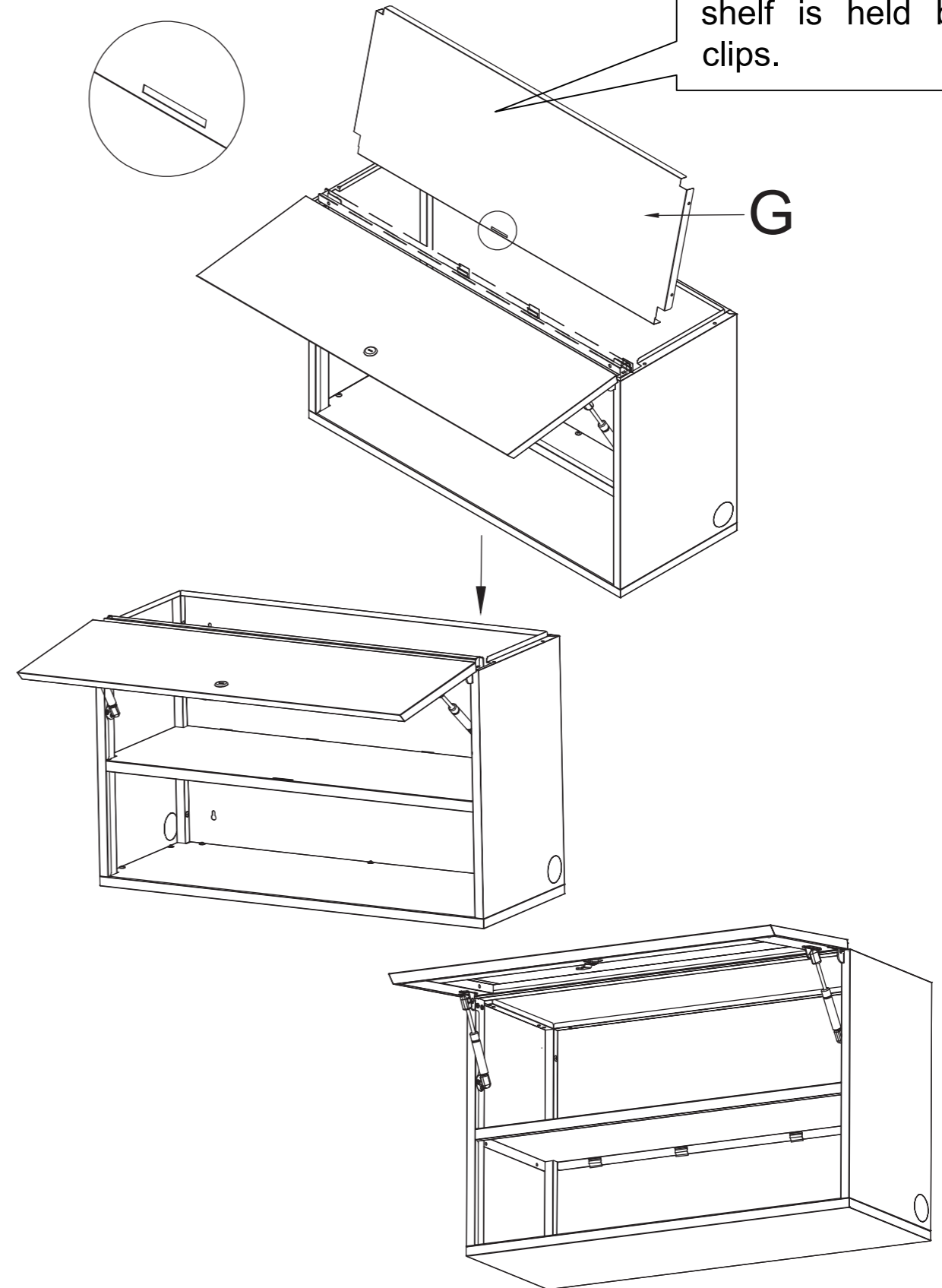
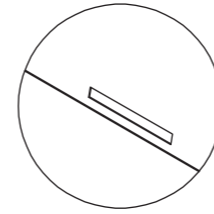


Hx7



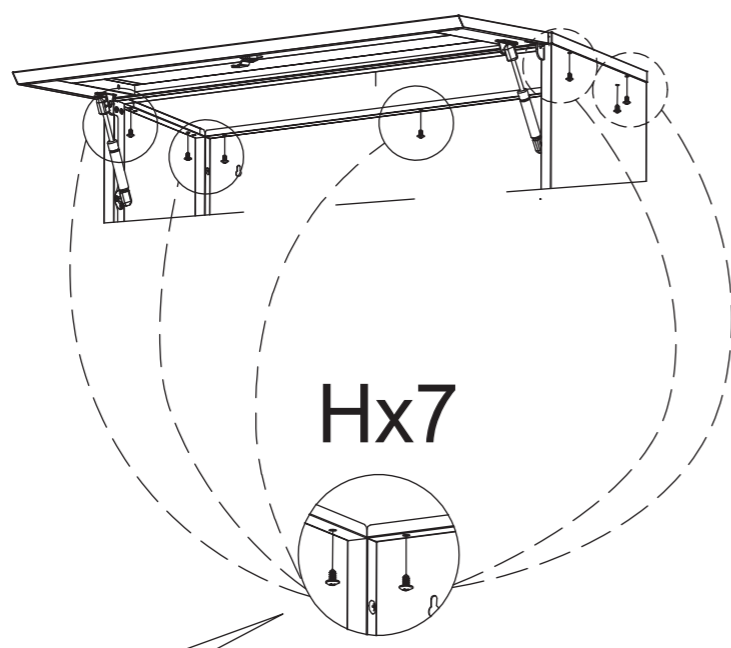
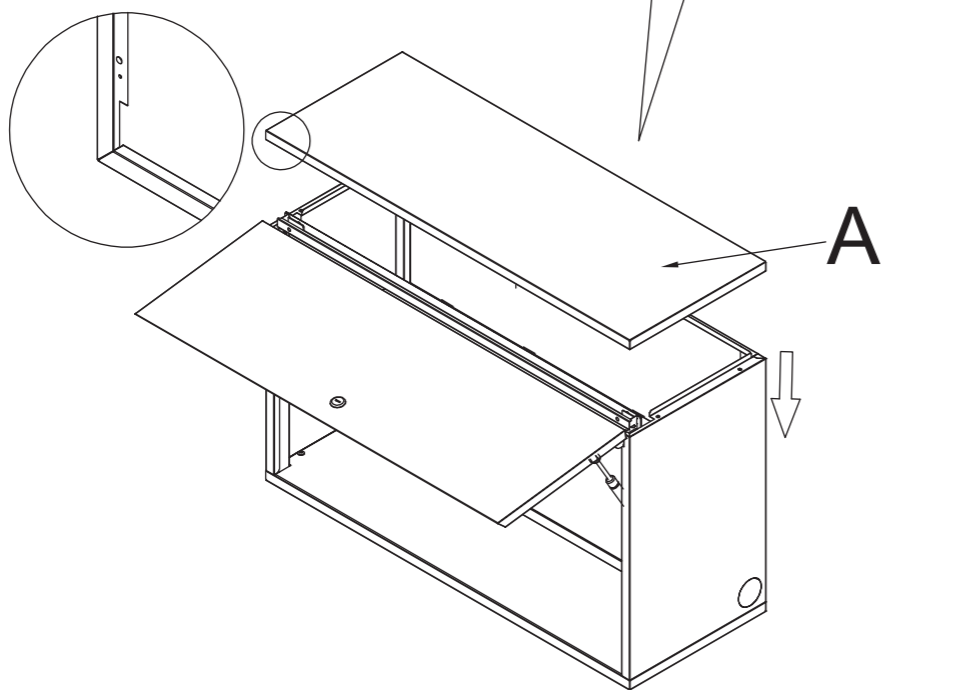
step 6

Put part G diagonally into cabinet. Please make sure the shelf is held by the clips.



step 7

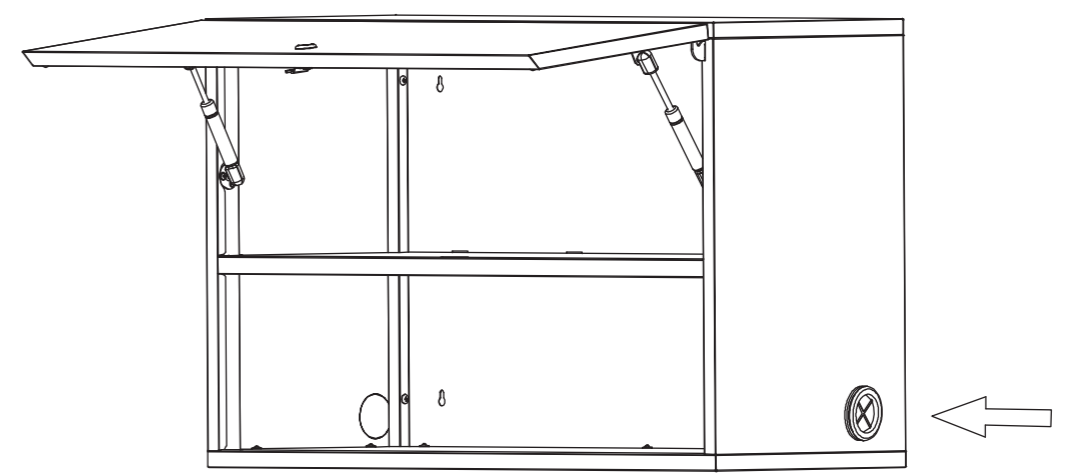
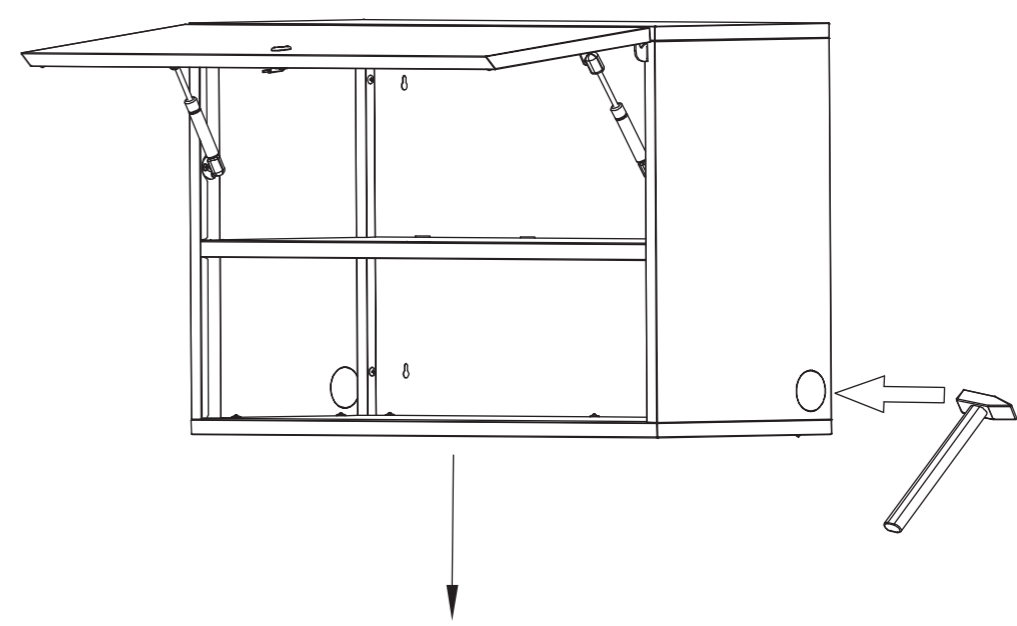
Install part A on the top of cabinet.



Drilling 7 screws after part A is in a stable station.

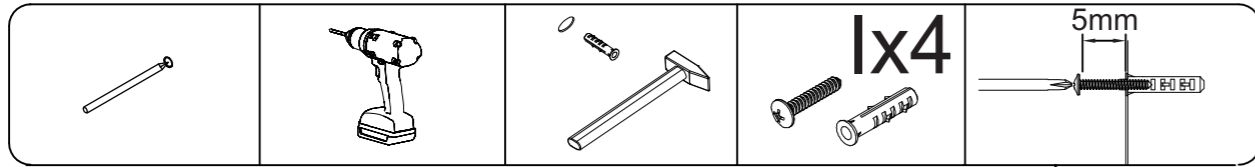
step 8

If some items need charging, you can tap the hole and install a grommet, then thread the wire through the grommet.

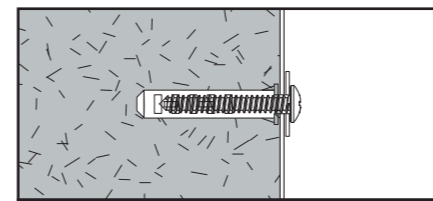
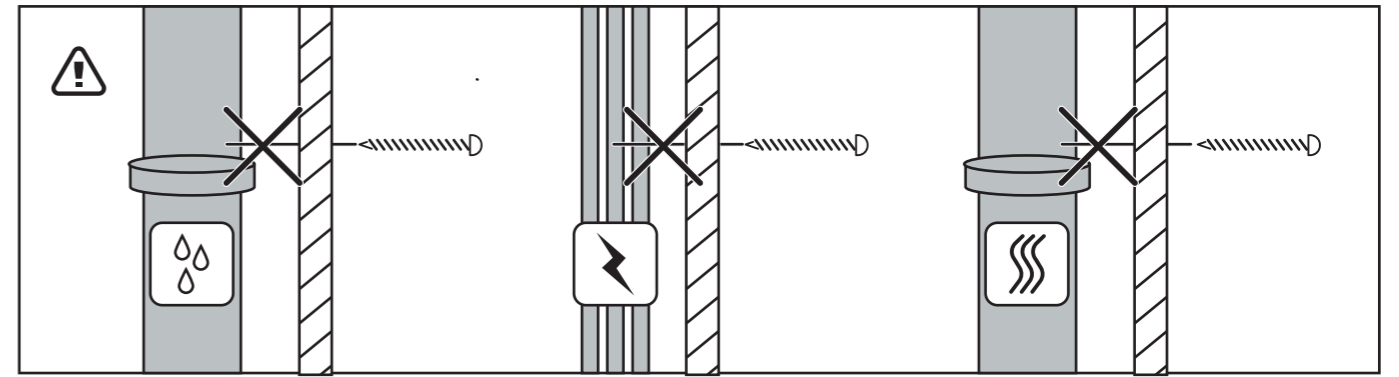
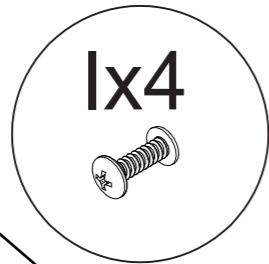
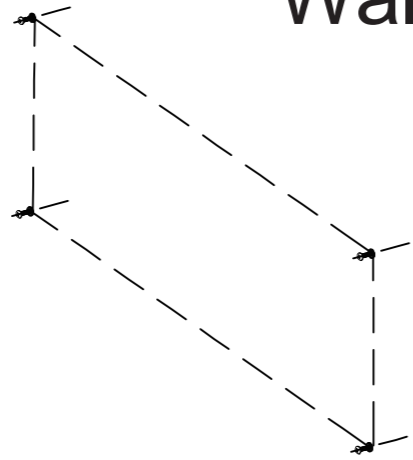


step 9

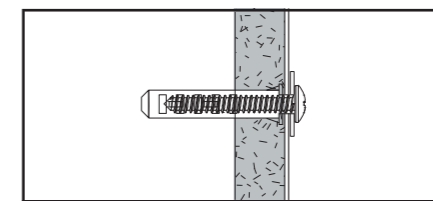
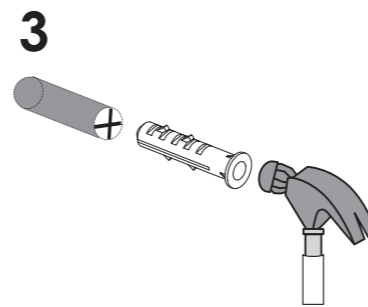
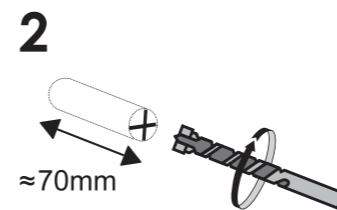
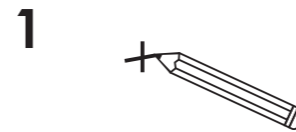
Drill holes according to the marked position, install the fixing screws, the screws are not completely driven in, and reserve a distance of 5mm from the wall.



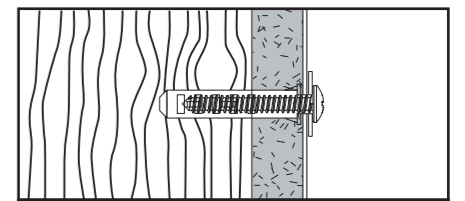
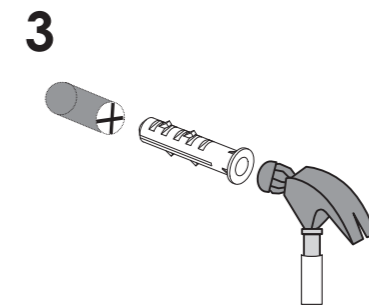
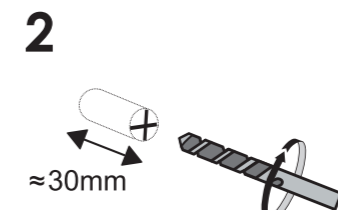
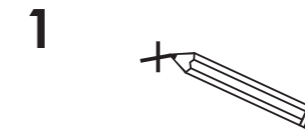
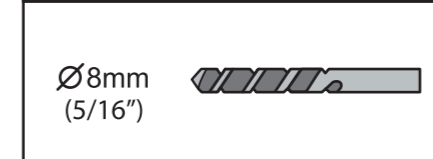
Wall



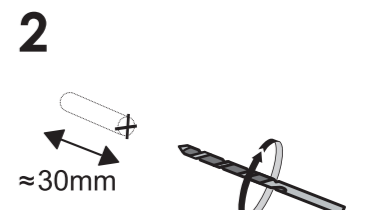
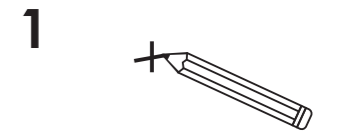
Ø8mm (5/16")



Ø8mm (5/16")

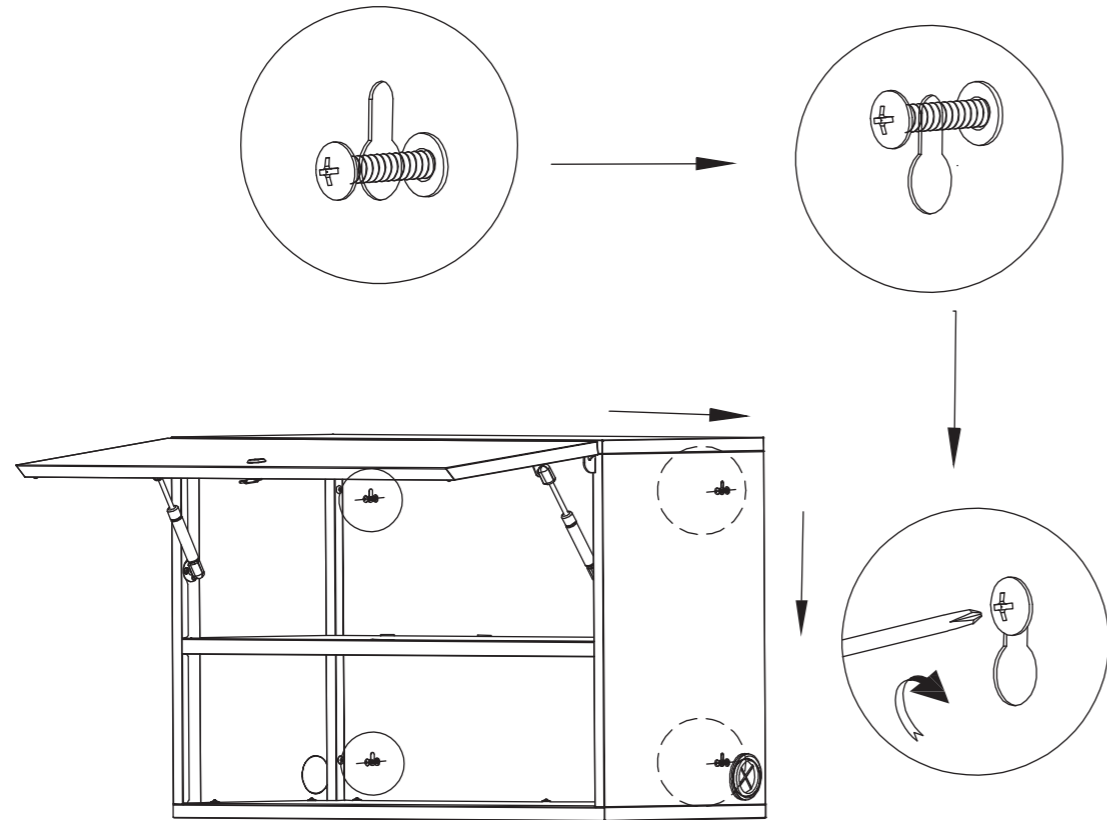


Ø3mm (1/8")



step 10

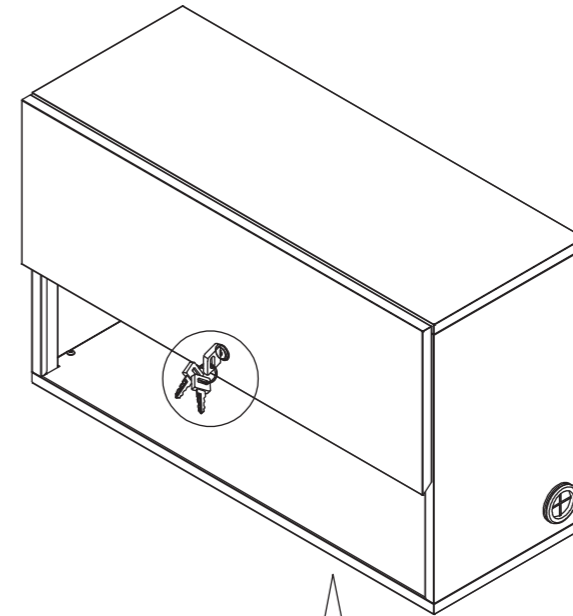
Wall



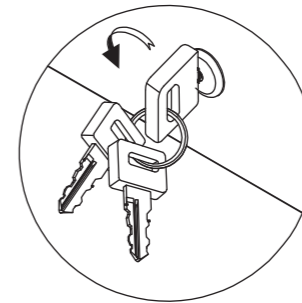
Lift up the cabinet, align the 4-screws on the wall, and hang the cabinet on the wall. And turn the screws to the end to fix it.

step 11

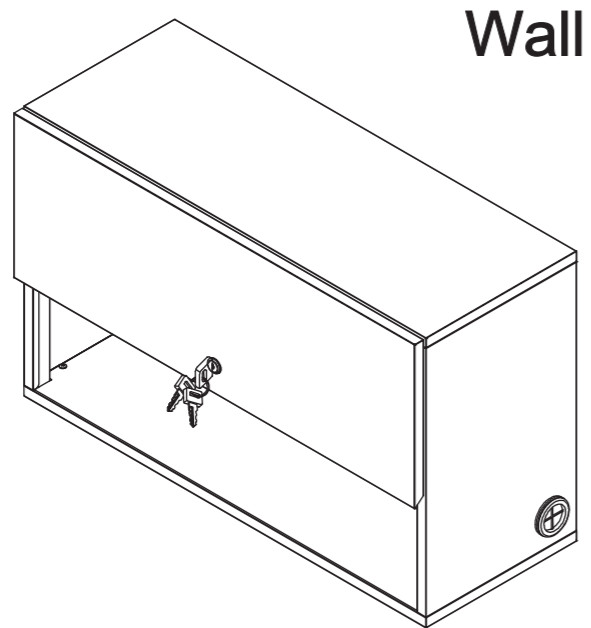
Wall



Turn the key 180° counterclockwise to lock it.



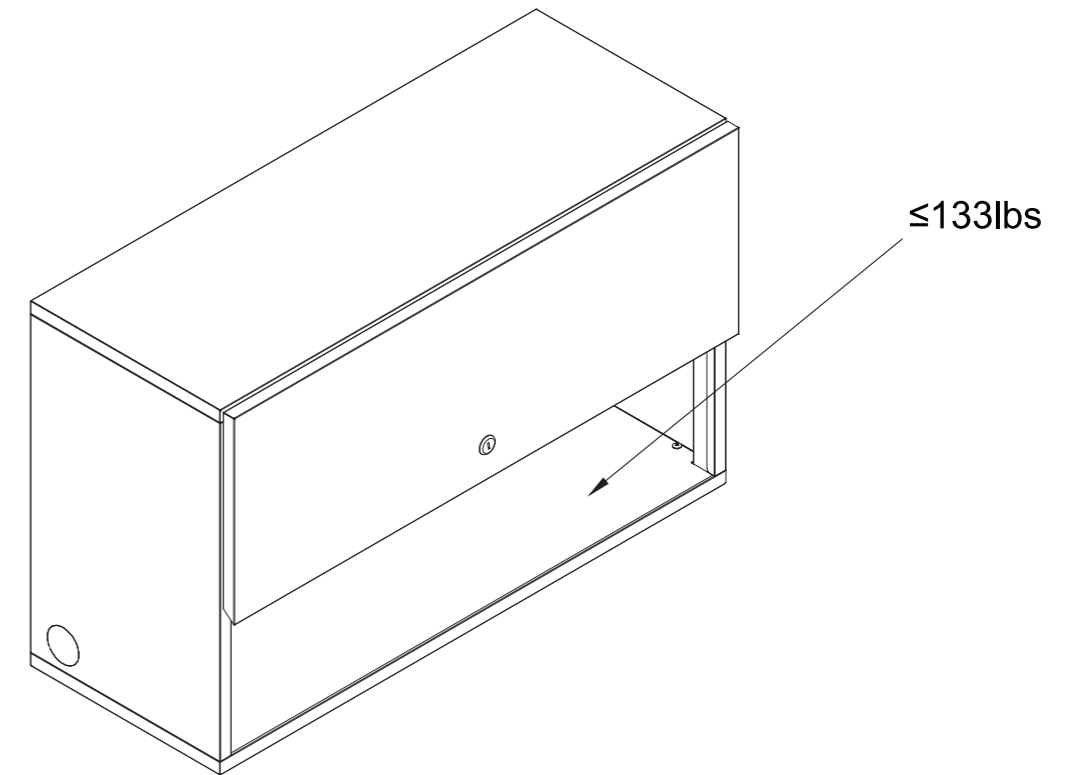
COMPLETION



Wall

General Care

The cabinet can bear a max weight of 133lbs.



$\leq 133\text{lbs}$

Cleaning

- For cleaning, wipe the surface with a damp (not wet) cloth or wipe dry with a clean lint free cotton cloth.
- Window cleaning liquid or a similar cleaning liquid can be used to clean the surface.