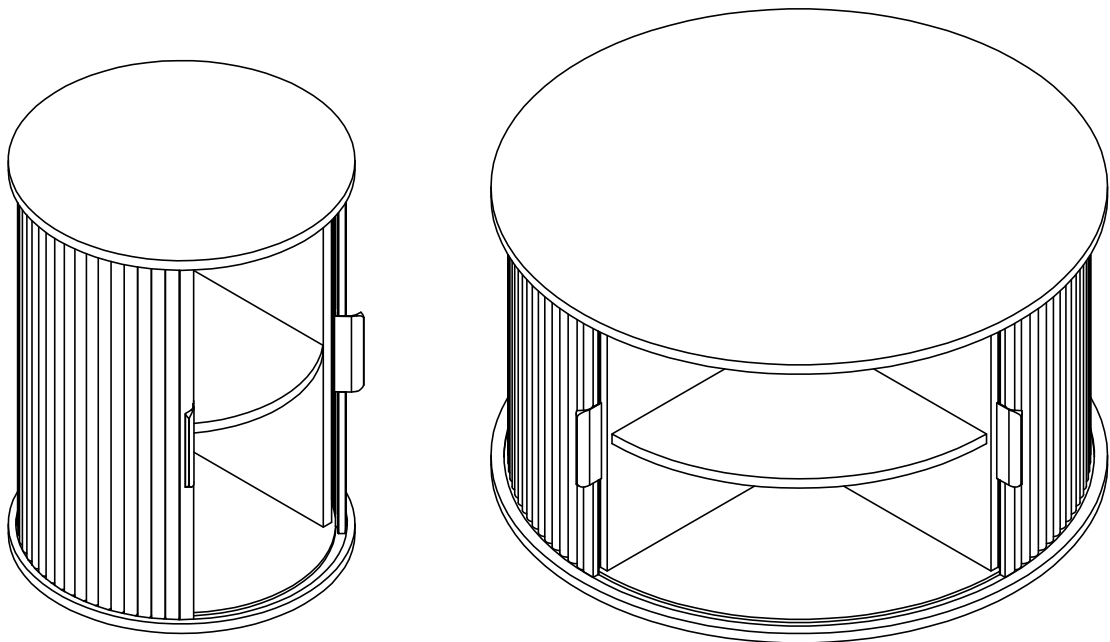


Coffee table

Assembly Instructions - Please keep for future reference



Dimensions 1

Width-17.72inch
Depth-17.72inch
Height-23.62inch

Dimensions 2

Width-31.5inch
Depth-31.5inch
Height-17.72inch

Important - Please read these instructions fully before starting assembly



Safety and Care Advice

Important – Please read these instructions fully before starting assembly

- Check you have all the components and tools listed on the following pages.
- Remove all fittings from the plastic bags and separate them into their groups.
- Keep children and animals away from the work area, small parts could choke if swallowed.
- Make sure you have enough space to layout the parts before starting.

- During assembly do not stand or put weight on the product, this could cause damage.
- Assemble the item as close to its final position (in the same room) as possible.
- Assemble on a soft level surface to avoid damaging the unit or your floor.
- Parts of the assembly will be easier with 2 people.



power drill is set on a low torque setting.

- To reduce the likelihood of damaging your product please ensure that your

Care and maintenance

• Only clean using a damp cloth and mild detergent, do not use bleach or abrasive cleaners.

• From time to time check that there are no loose screws on this unit.

• This product should not be discarded with household waste. Take to your local authority waste disposal centre.

Handy Hints

• Assemble all parts and bolts loosely during assembly, only once the product is complete should you fully tighten the bolts

• Regularly check and ensure That all bolts and fittings are tightened properly.

WARNING
In order to help prevent overturning – please follow these instructions

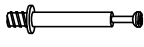

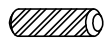


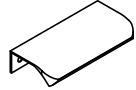


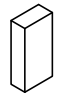
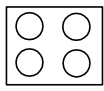
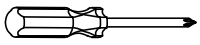

To help prevent product toppling over please follow the below steps:-

- Use the anti tip stap or wall fixing method provided (if applicable)
- Do not allow children to climb or hang on the furniture
- Do not open more than one drawer at a time
- Do not place heavy items in the top drawers
- Do not place heavy items on top of the furniture, unless the furniture has been designed for this purpose

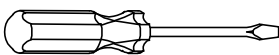
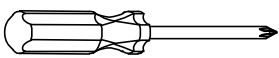
Components-Fittings

Please check you have all the panels listed below

Note: The quantities below are the correct amount to complete the assembly. In some cases more fittings may be supplied than are required.

<p>(A)</p>  <p>6*35mm Cam Bolt x 36+2</p>	<p>(B)</p>  <p>15*10mm Cam Lock x 36+2</p>	<p>(C)</p>  <p>8*30mm Dowel x 20+2</p>	<p>(D)</p>  <p>7*40mm Screw x 12+2</p>
<p>(E)</p>  <p>8*50mm Dowel x 10+2</p>	<p>(F)</p>  <p>Metal handle x 8</p>	<p>(G)</p>  <p>Adjustable Leveler x 10</p>	<p>(H)</p>  <p>3*12mm Screw x 16+2</p>
<p>(I)</p>  <p>Paraffin x 1</p>	<p>(J)</p>  <p>Hole to stick x 36+2</p>	<p>(K)</p>  <p>Phillips screwdriver x 1</p>	<p>(L)</p>  <p>Allen key x 1</p>

Tools required



Phillips screwdriver or
flat-head screwdriver

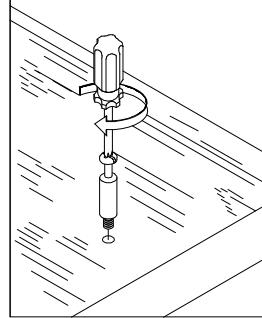
Using Camlocks

Step 1

Connect the male camlock as directed in the assembly instructions using a screwdriver.

1

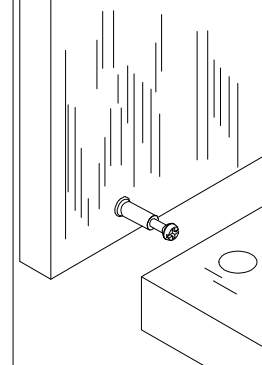
DO NOT OVER TIGHTEN.
NE PAS SERRER EXCESSIVEMENT.



Step 2

Push the male camlock into the entry hole.

2

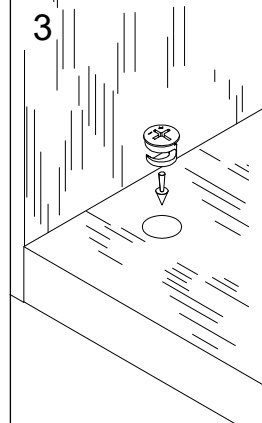


Step 3

Insert the female camlock as shown in the instruction.

Note: ensure that the arrow on the top of the camlock points towards the entry hole for the male camlock.

3



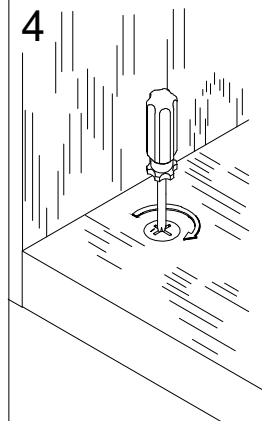
Step 4

Turn the female camlock clockwise with a screwdriver.

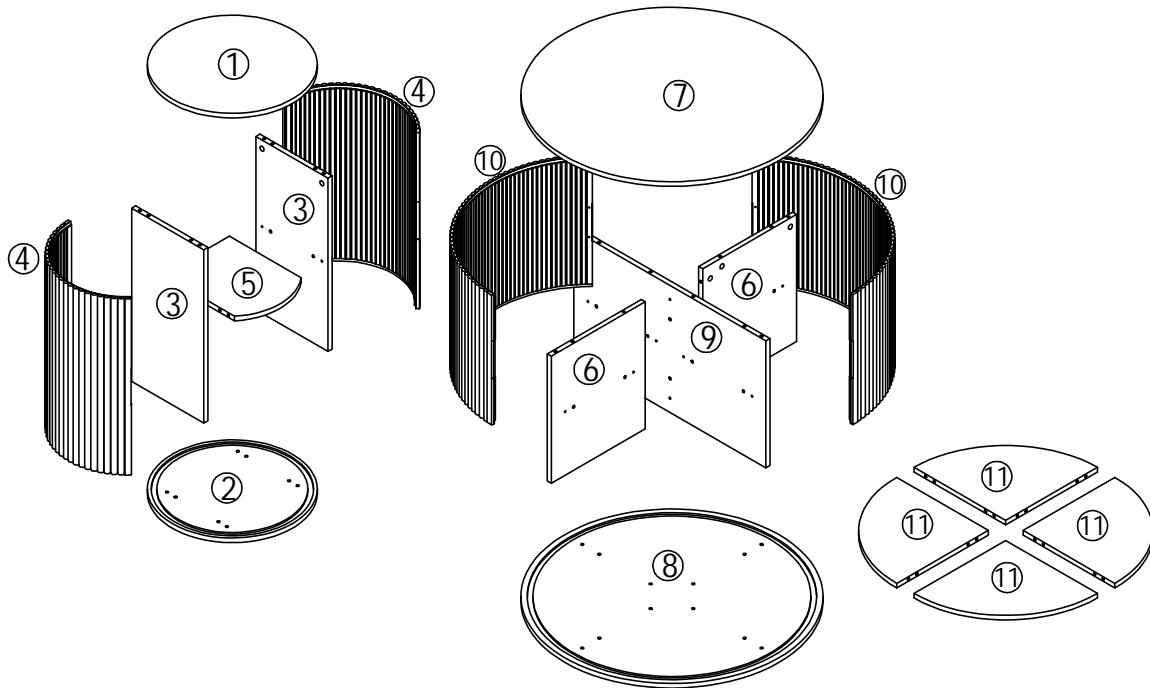
You should feel a click when the camlock is locked in place.

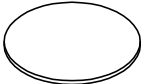

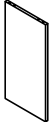

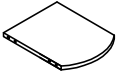
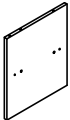

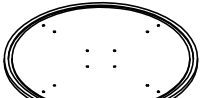
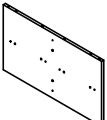
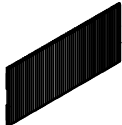

The joint is now secure.

4



Assembly Instructions

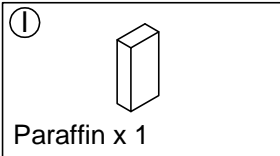
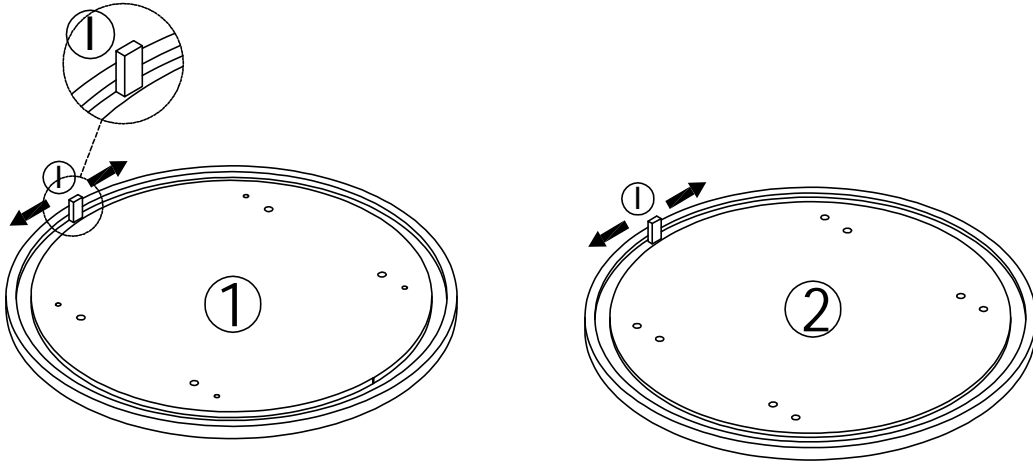


 Ø450*15mm ① X1	 Ø450*15mm ② X1	 562*270*15mm ③ X2	 571*500*12mm ④ X2
 314*250*15mm ⑤ X1	 412*352*15mm ⑥ X2	 Ø800*15mm ⑦ X1	 Ø800*15mm ⑧ X1
 719*412*15mm ⑨ X1	 878*401*12mm ⑩ X2	 344*344*15mm ⑪ X4	

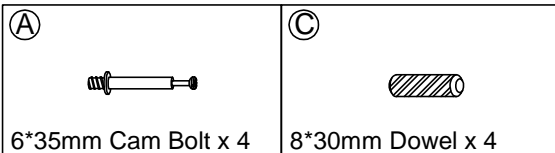
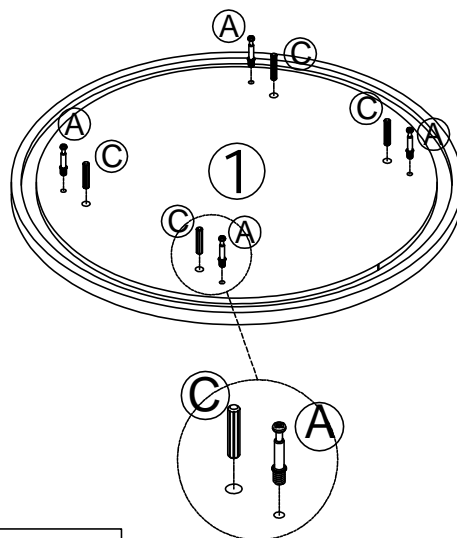
Assembly Instructions

Step 1

Please wipe paraffin I back and forth at the grooves of Part 1 and Part 2 to make the grooves smoothly

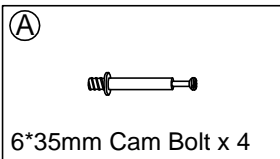
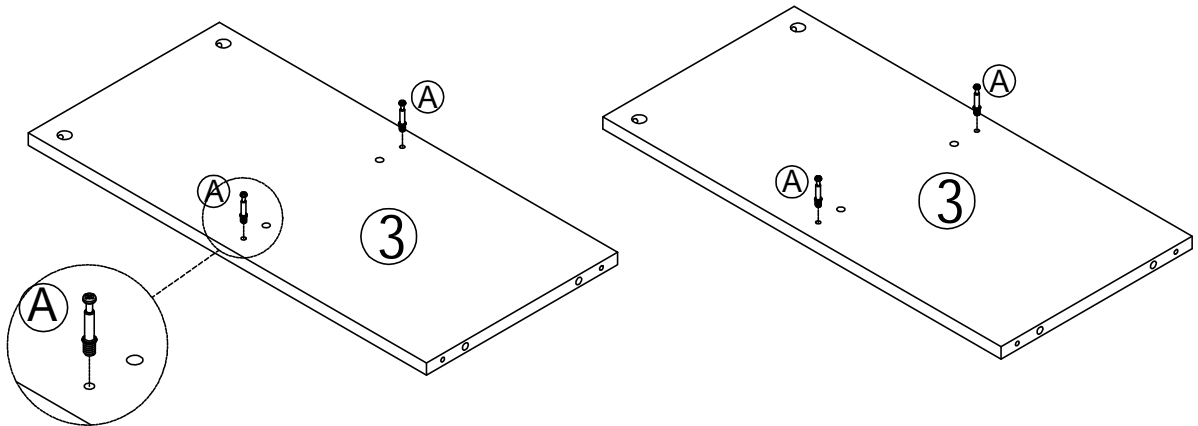


Step 2



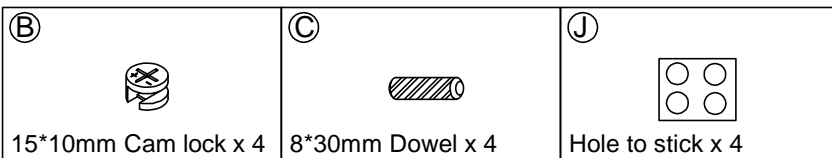
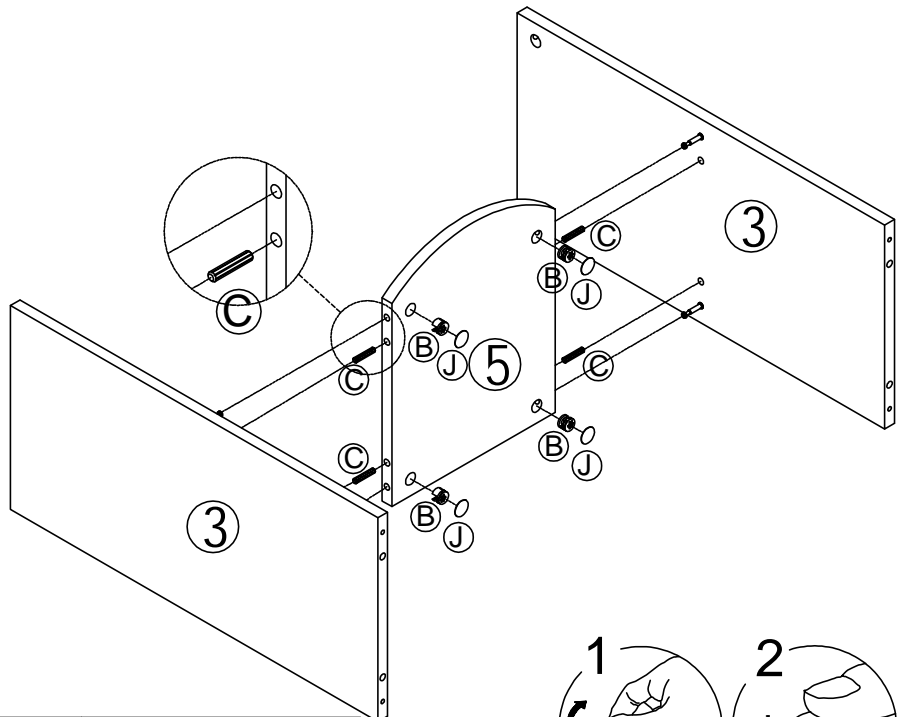
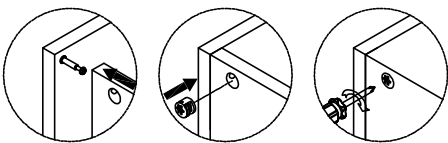
Assembly Instructions

Step 3



Step 4

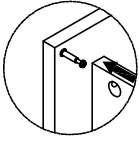
Step 1 Step 2 Step 3



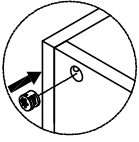
Assembly Instructions

Step 5

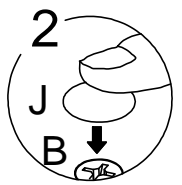
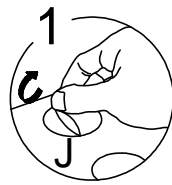
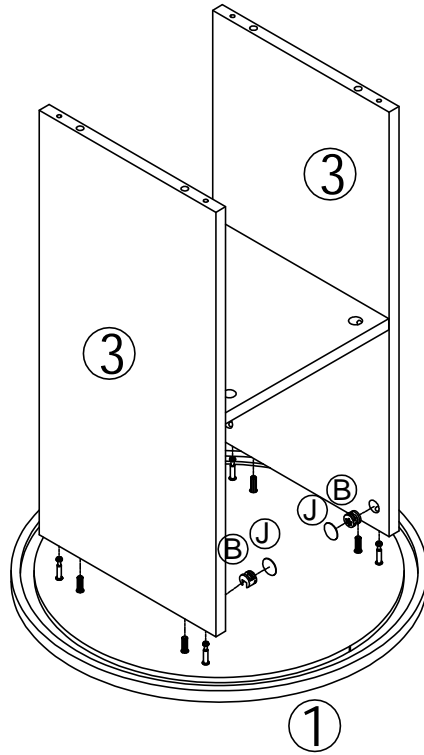
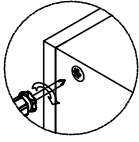
Step 1


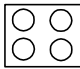


Step 2

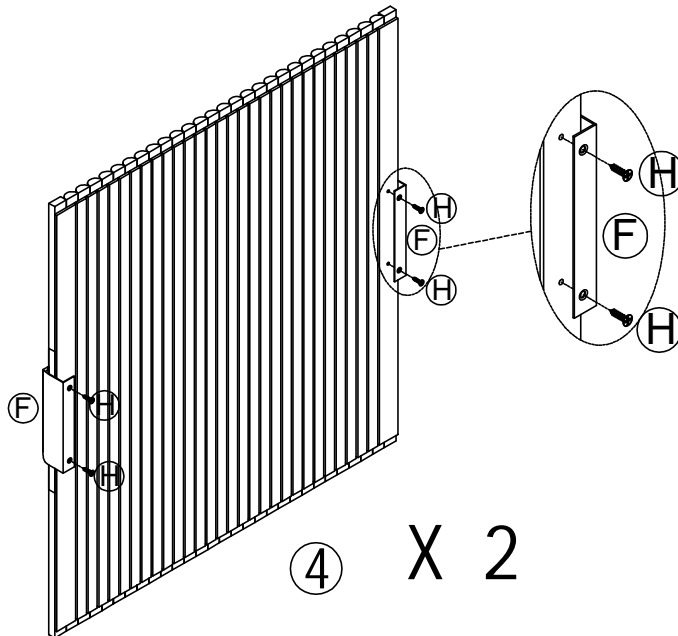


Step 3





<p>Ⓑ</p>  <p>15*10mm Cam lock x 4</p>	<p>ⓐ</p>  <p>Hole to stick x 4</p>
--	---

Step 6

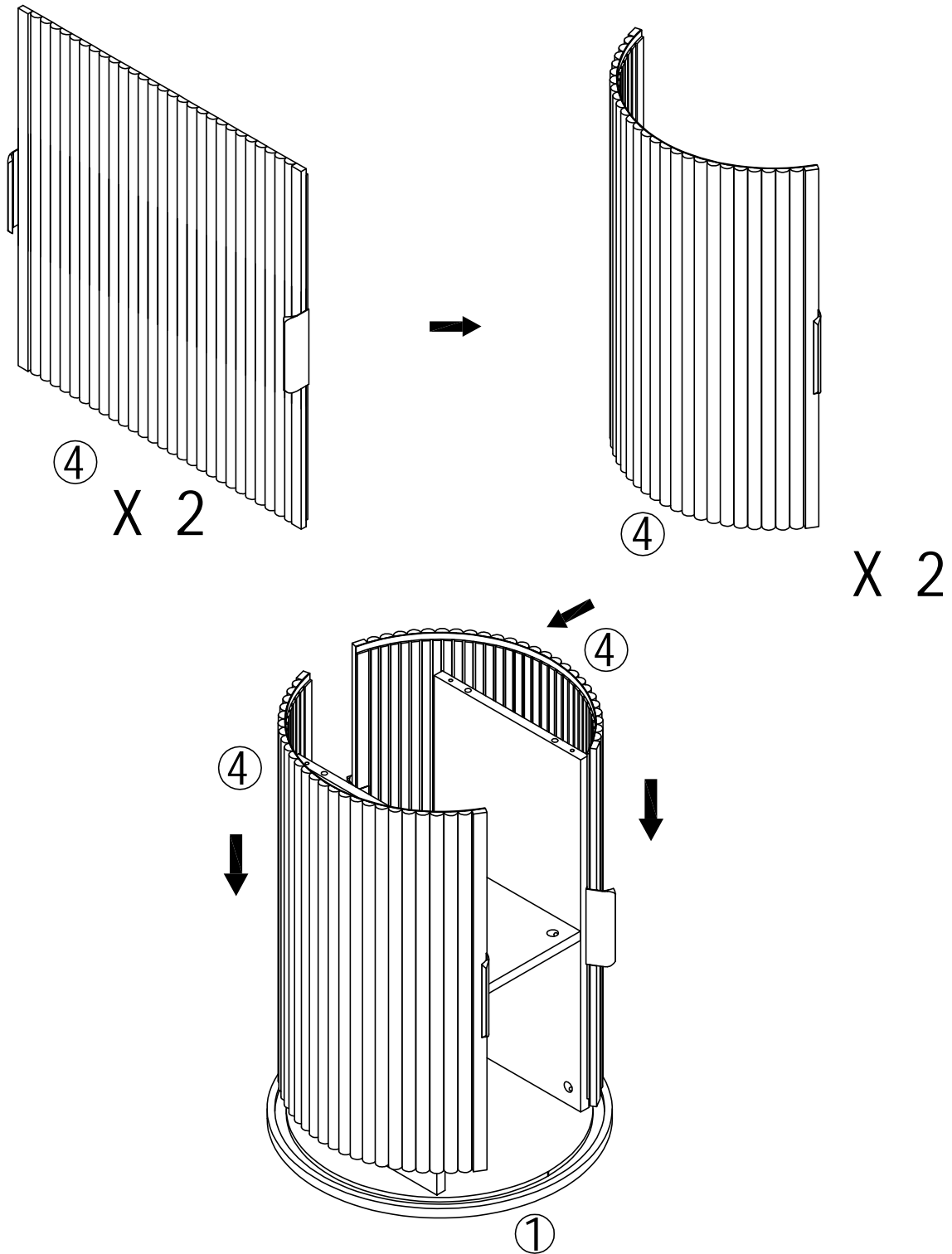


④ X 2

<p>ⓓ</p>  <p>3*12mm Screw x 8</p>	<p>Ⓕ</p>  <p>Metal handle x 4</p>
--	--

Assembly Instructions

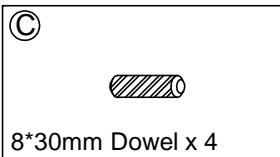
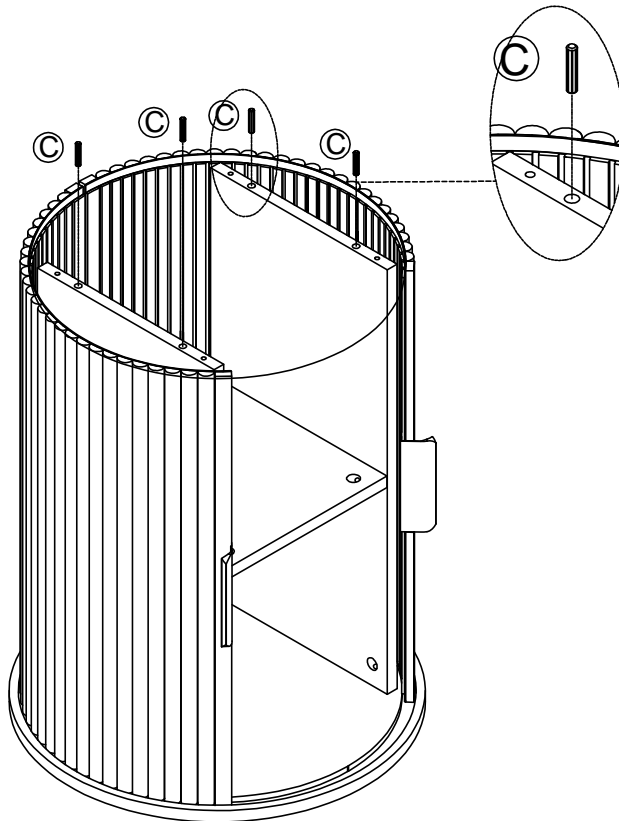
Step 7



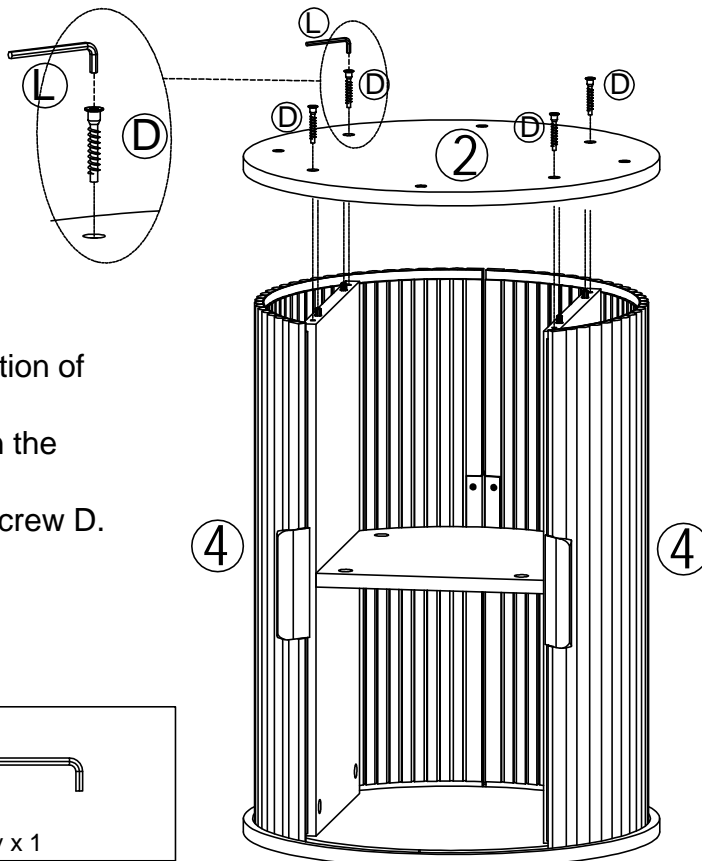
Please bend part 4 and then place it into the groove of part 1

Assembly Instructions

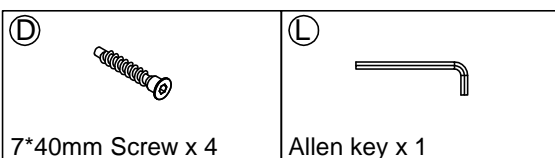
Step 8



Step 9

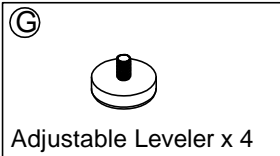
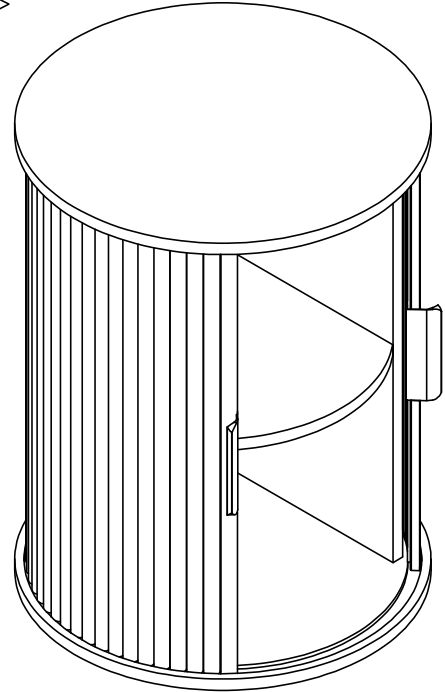
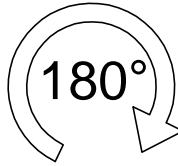
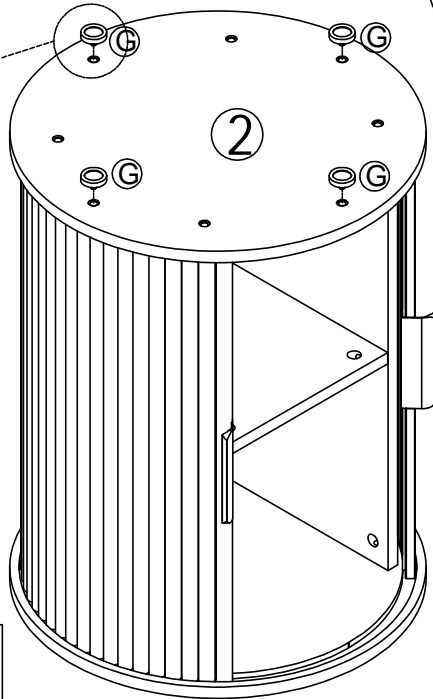
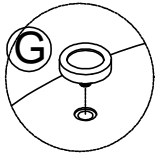


After placing part2,
please adjust the position of
two part4,
align it with the slot on the
part2,
and then tighten the screw D.



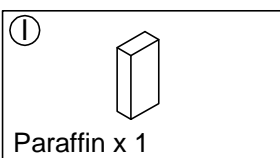
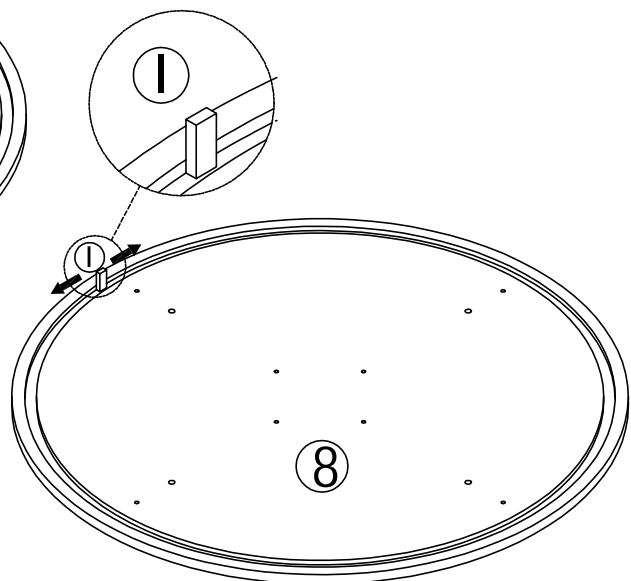
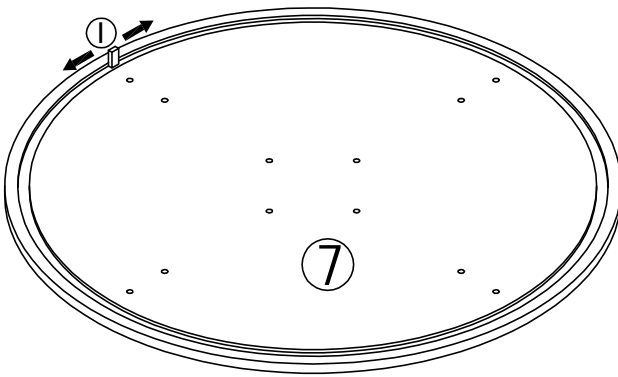
Assembly Instructions

Step 10



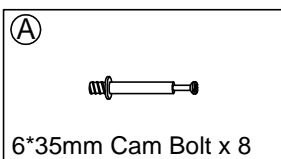
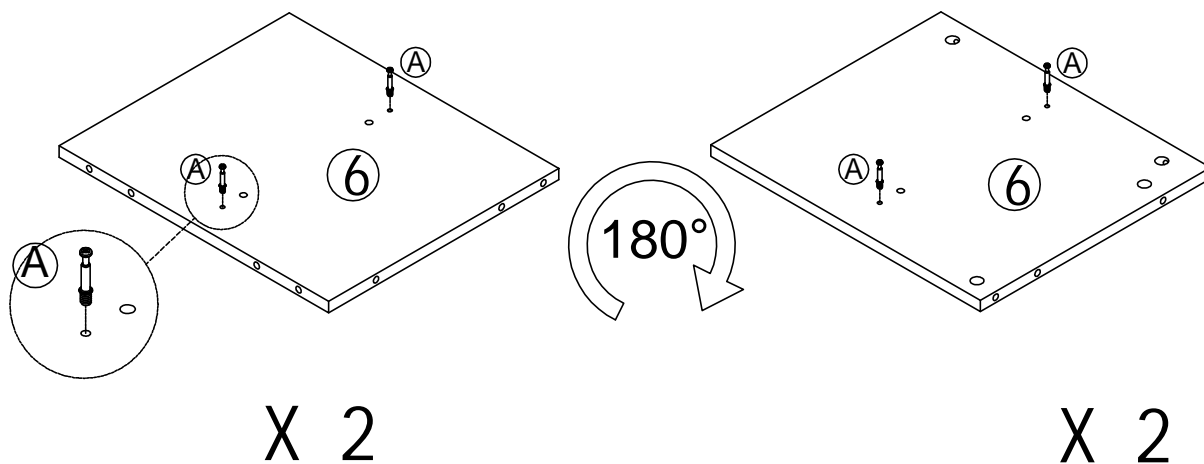
Please wipe paraffin I back and forth at the grooves of Part 7 and Part 8 to make the grooves smoothly

Step 11

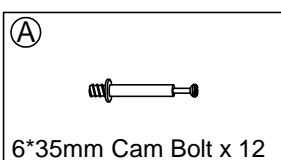
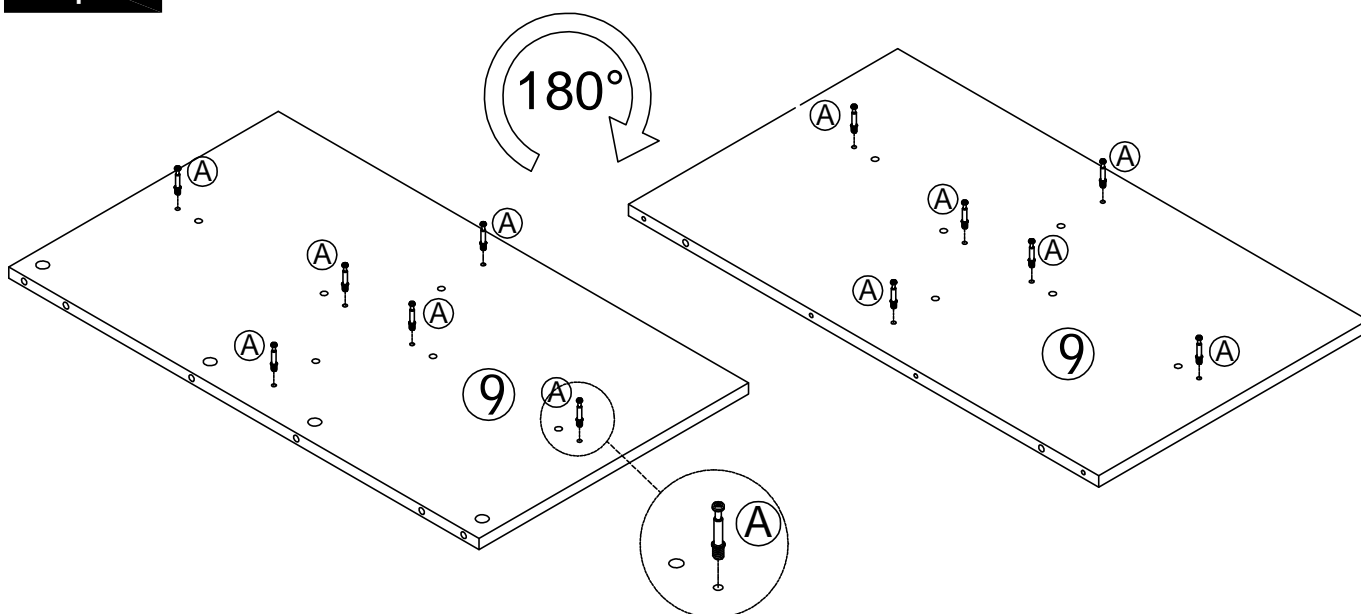


Assembly Instructions

Step 12



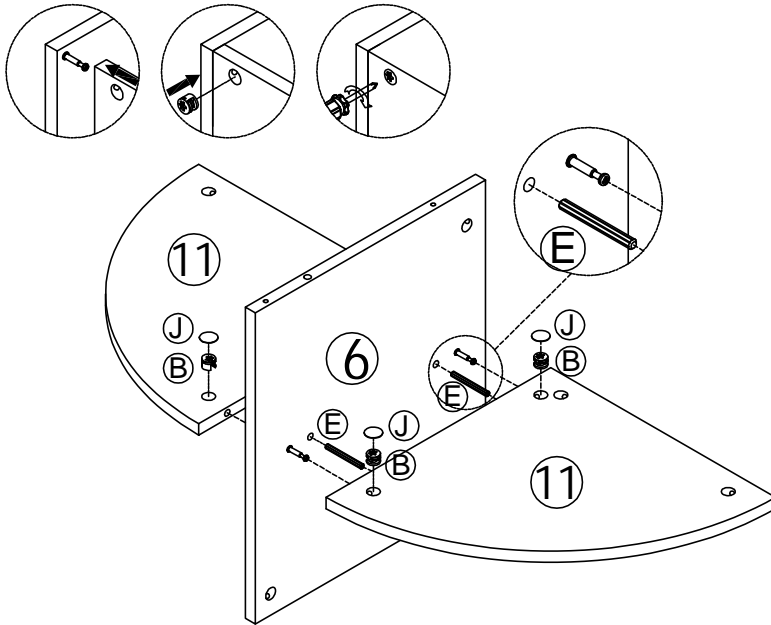
Step 13





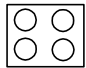
Assembly Instructions

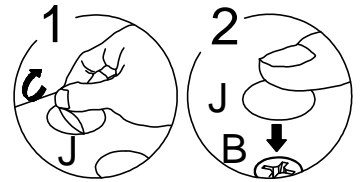
Step 14

Step 1 Step 2 Step 3



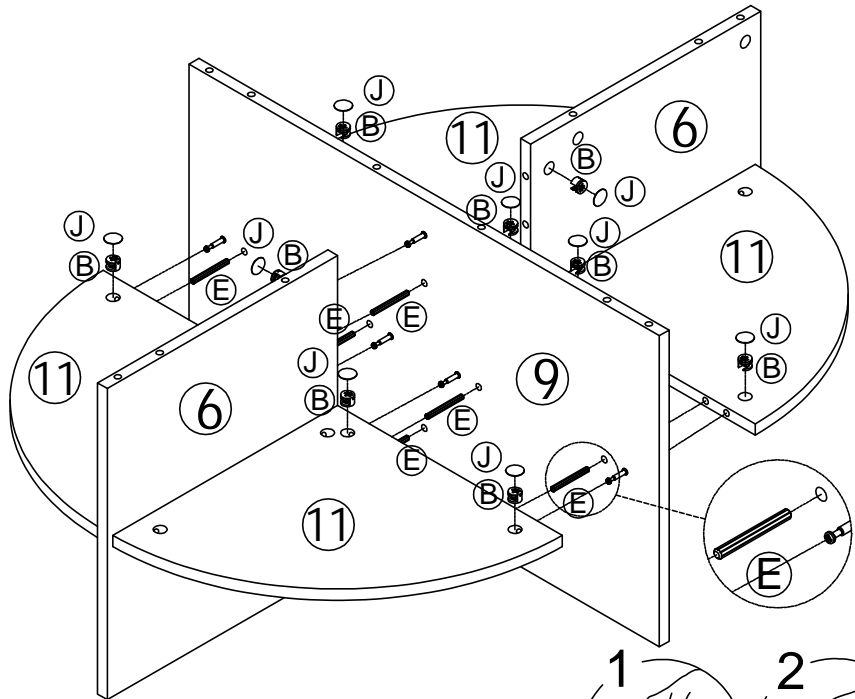
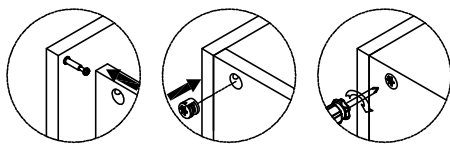
X 2



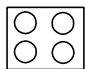
<p>B</p>  <p>15*10mm Cam lock x 8</p>	<p>E</p>  <p>8*50mm Dowel x 4</p>	<p>J</p>  <p>Hole to stick x 8</p>
---	---	--

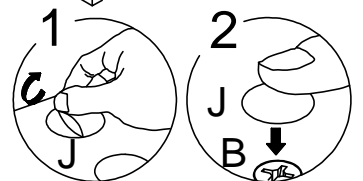


Step 15

Step 1 Step 2 Step 3

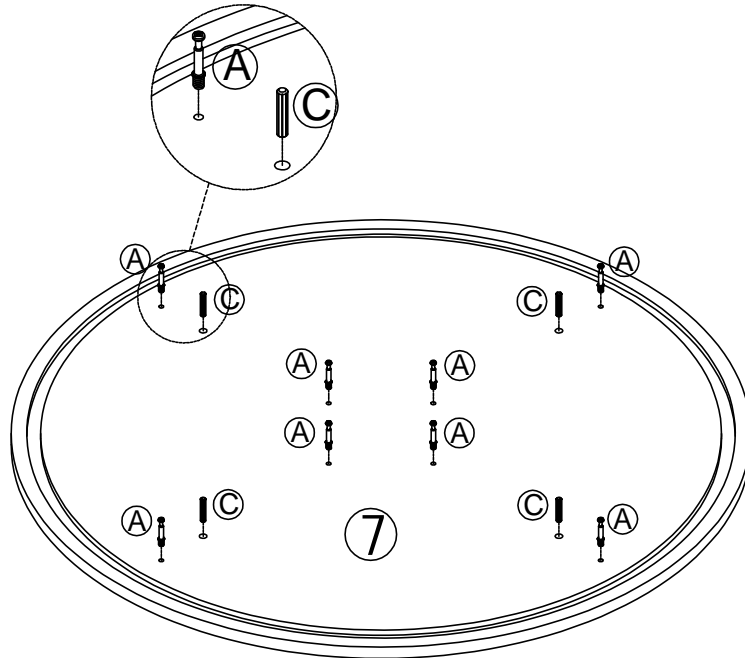


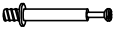

<p>B</p>  <p>15*10mm Cam lock x 12</p>	<p>E</p>  <p>8*50mm Dowel x 6</p>	<p>J</p>  <p>Hole to stick x 12</p>
--	---	---



Assembly Instructions

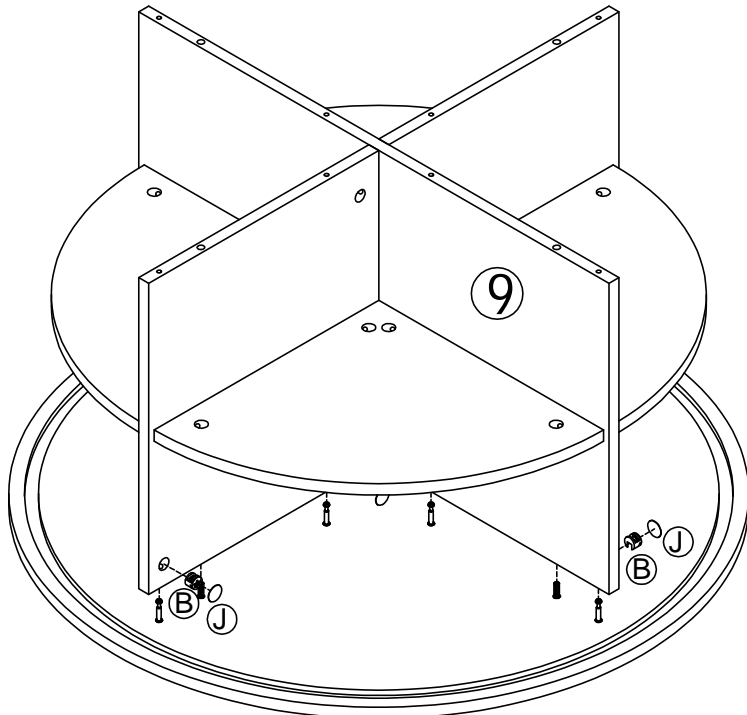
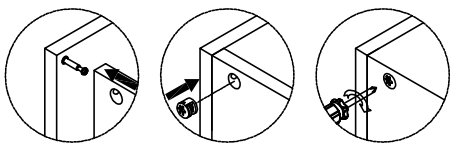
Step 16


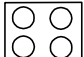


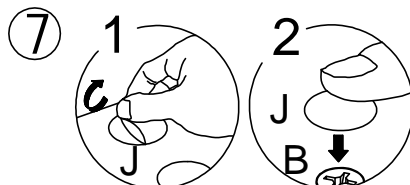
<p>(A)</p>  <p>6*35mm Cam Bolt x 8</p>	<p>(C)</p>  <p>8*30mm Dowel x 4</p>
---	--

Step 17

Step 1 Step 2 Step 3

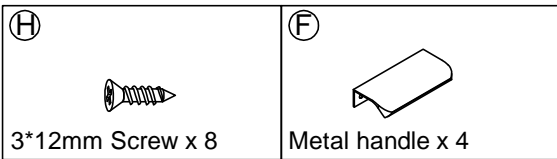
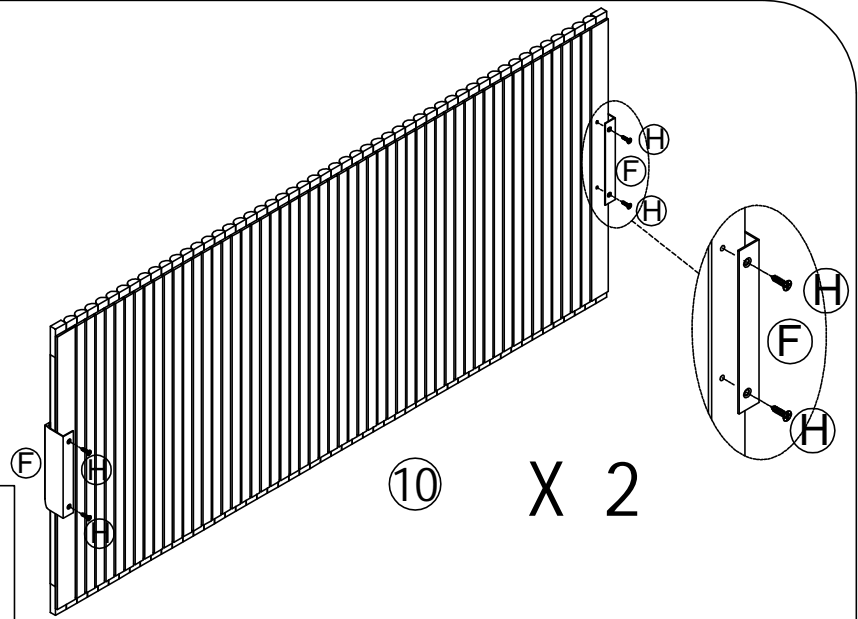


<p>(B)</p>  <p>15*10mm Cam lock x 8</p>	<p>(J)</p>  <p>Hole to stick x 8</p>
--	---

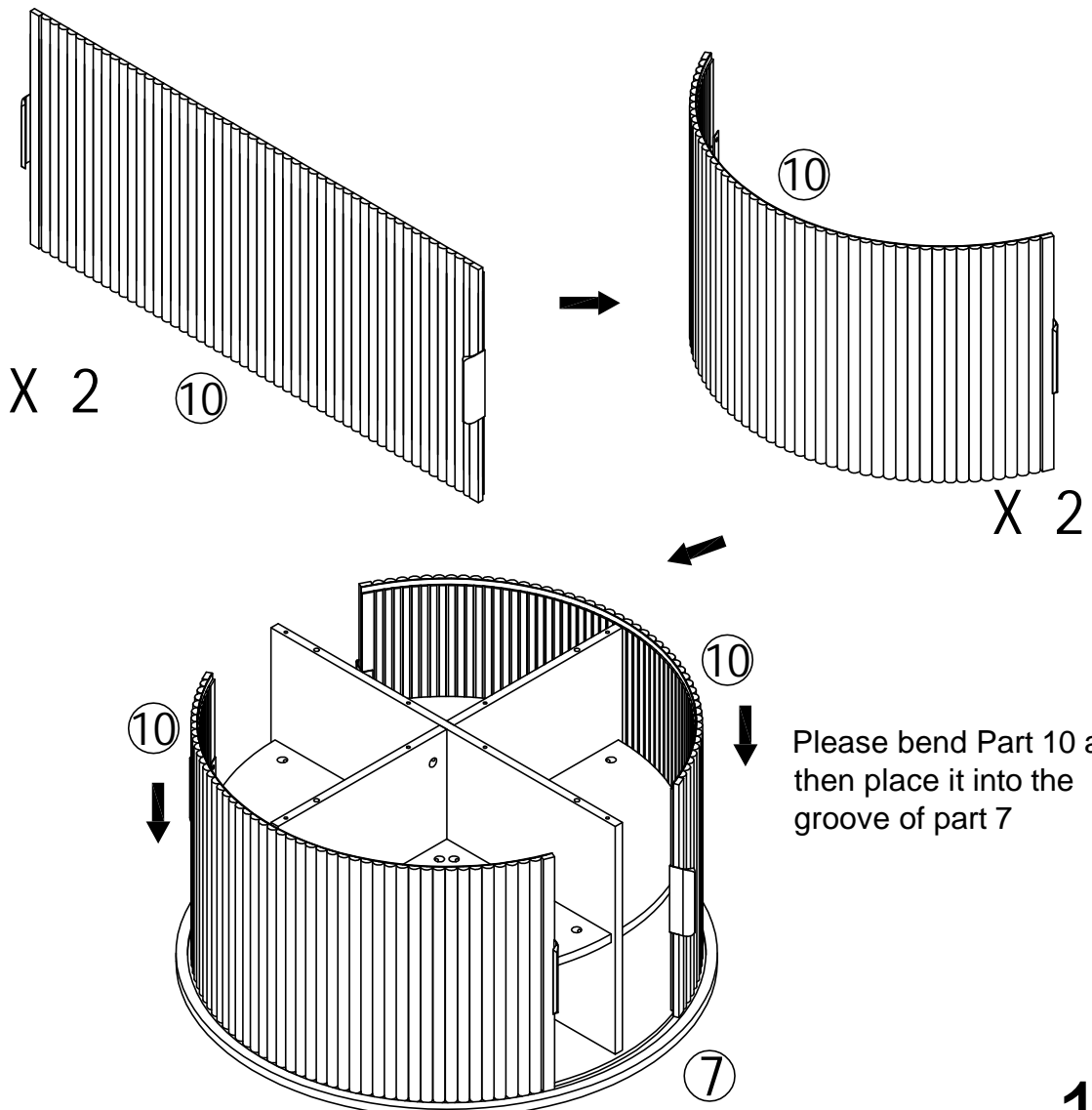


Assembly Instructions

Step 18

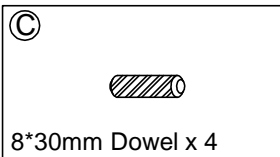
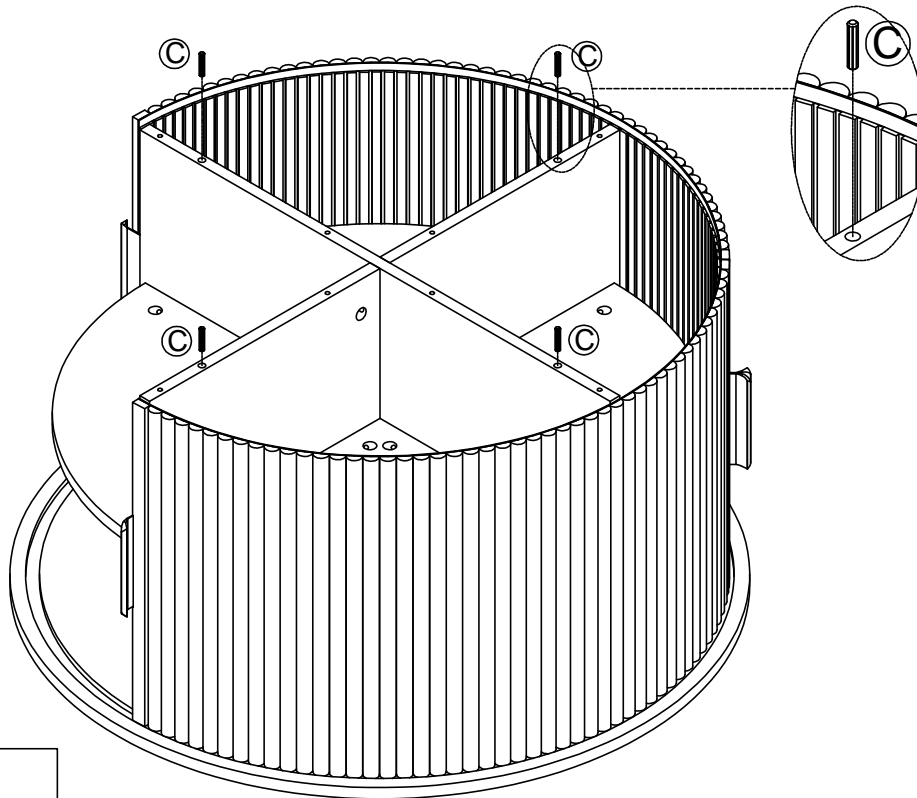


Step 19



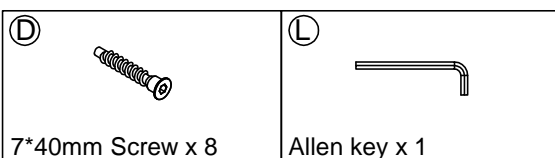
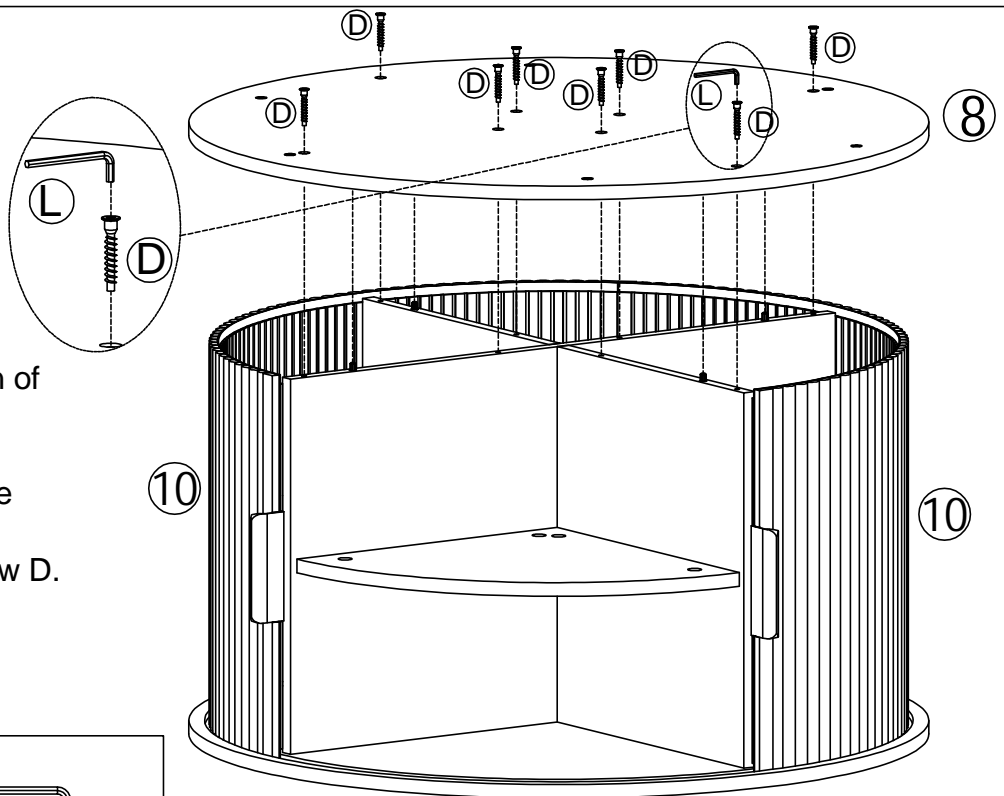
Assembly Instructions

Step 20



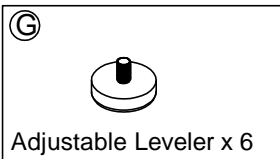
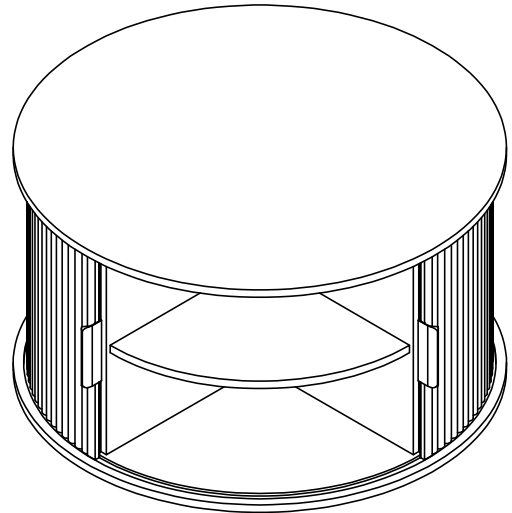
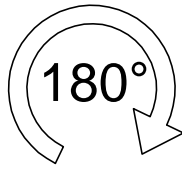
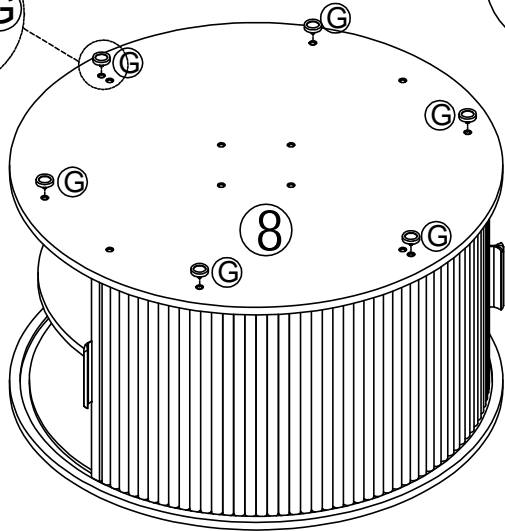
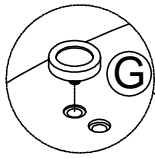
Step 21

After placing part 8, please adjust the position of two part 10, align it with the slot on the part 8, and then tighten the screw D.



Assembly Instructions

Step 22



FINISH

