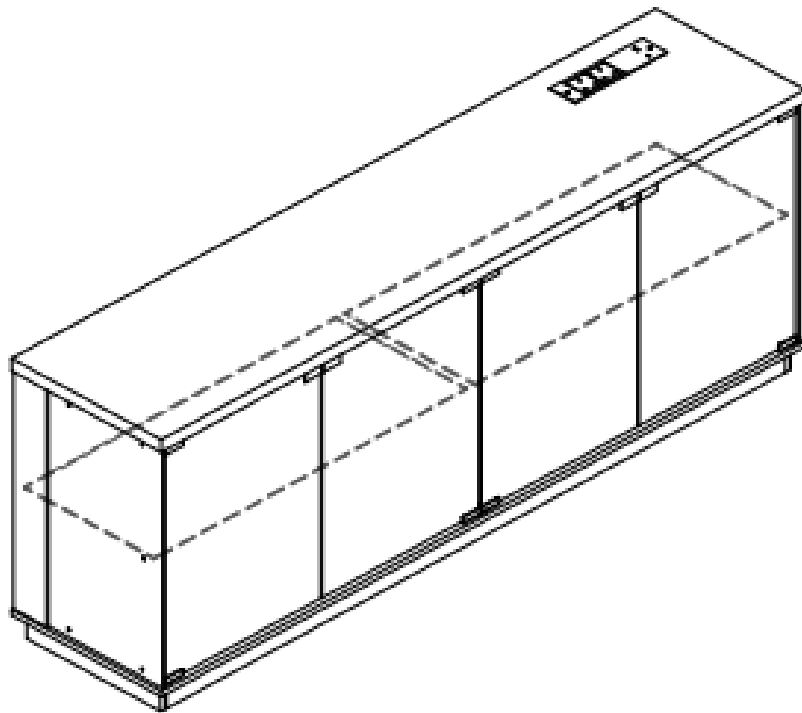
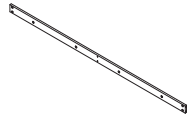


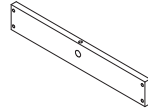
Product structure decomposition



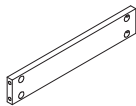
Product structure decomposition



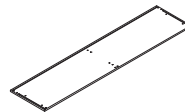
1 x 2



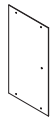
2 x 2



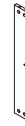
3 x 1



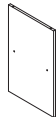
4 x 1



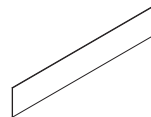
5 x 2



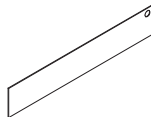
6 x 2



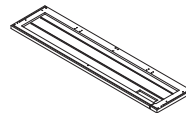
7 x 1



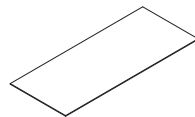
8 x 1



9 x 1



10 x 1





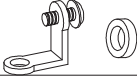


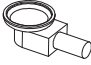
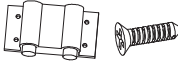







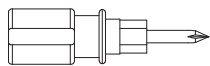
11 x 2



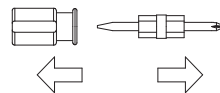
12 x 4

Accessories list

A		Two In One Screw (6x28mm)	34pcs
B		Two In One Nut (10x12mm)	34pcs
C		Wood Chipping (6x30mm)	2pcs
D		Foot rubber pad	6pcs
E		corner brace fastener & gasket	8pcs
F		Screw (M4x8)	8pcs
G		shelf bracket & Screw M6X16mm	2-2-2pcs
H		shelf bracke	6pcs
J		Rebound device & Screw 3X16mm	2pcs-8pcs
J		hinge	4-4pcs
J		Iron sheet	8pcs-4pcs
K		backplate clip & Screw 3x16mm	16pcs
L		AC/DC Adapter 3.5X12mm	1pcs-4pcs
M		wire clip	2pcs

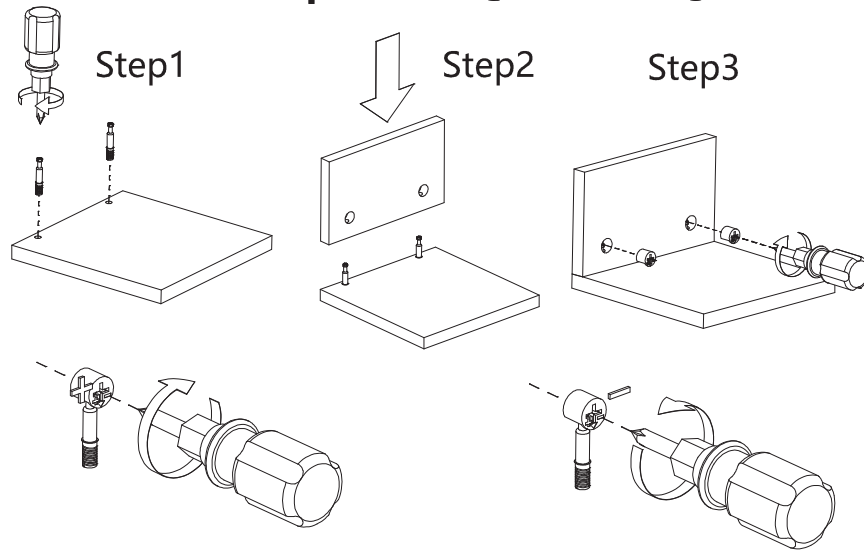


1pcs



Double-head screwdriver, use as required

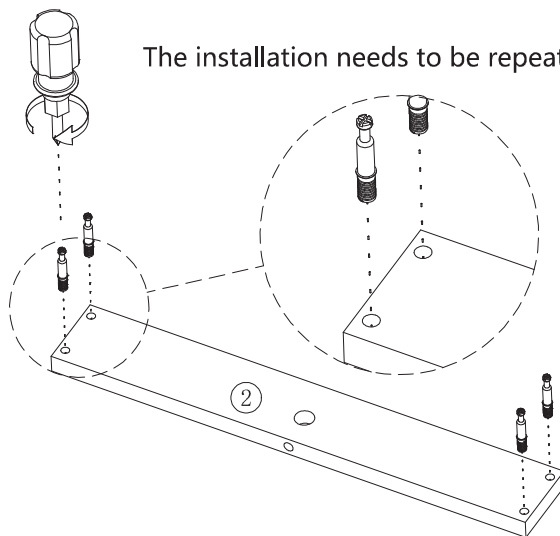
Use parts ① and ②



Use a screwdriver to lock in the direction of the "+" sign Disassemble along the direction of "-" sign

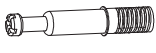
Step1

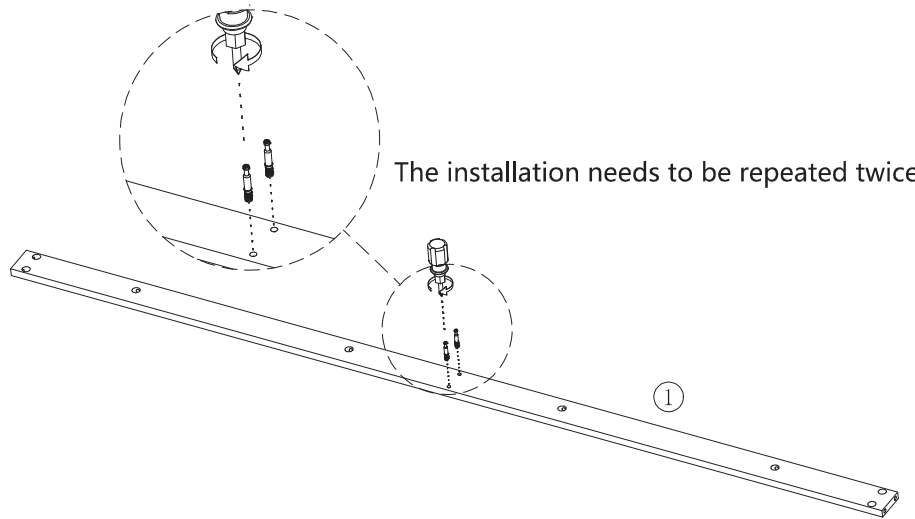
Code	Diagram	count
A		4




01

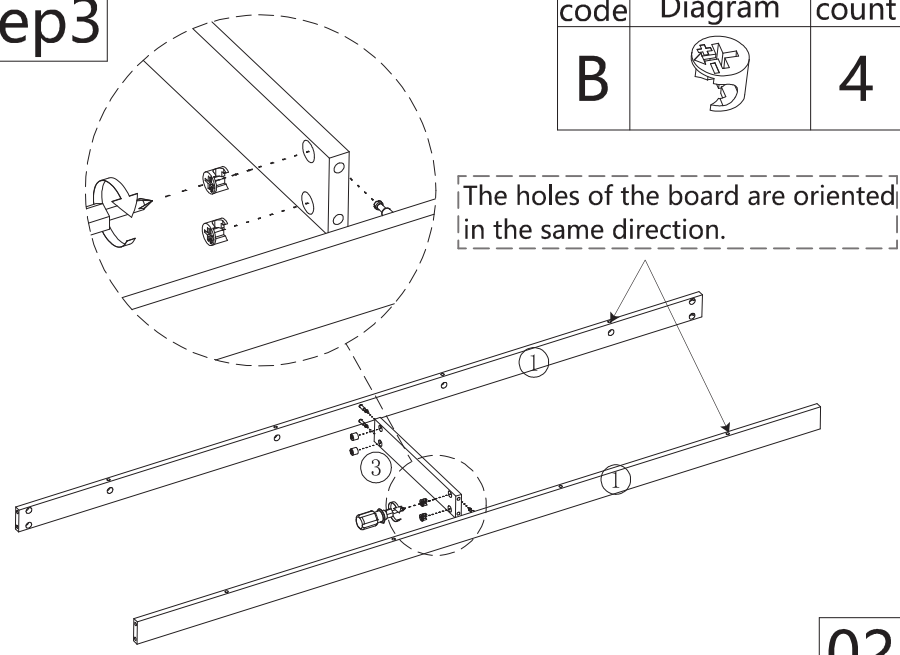
Step2

code	Diagram	count
A		2




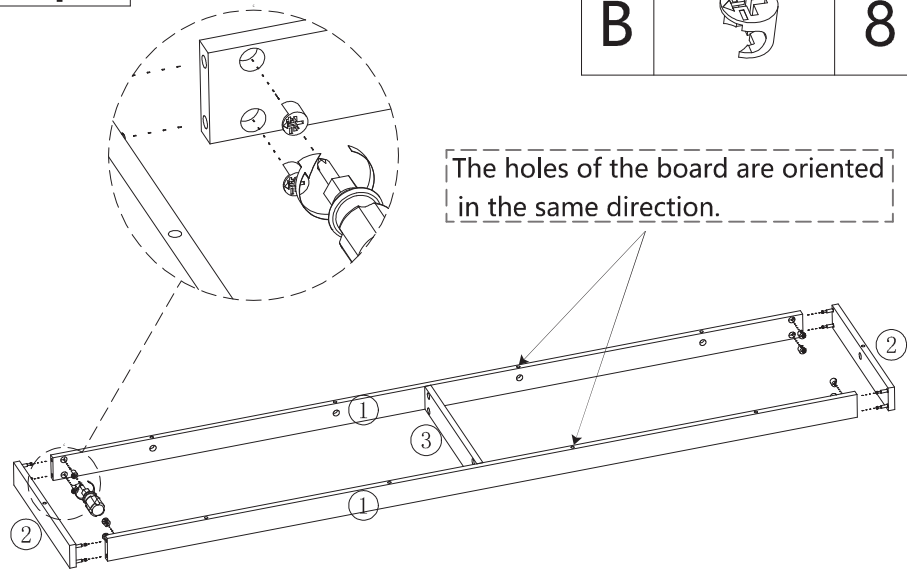
Step3

code	Diagram	count
B		4

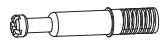


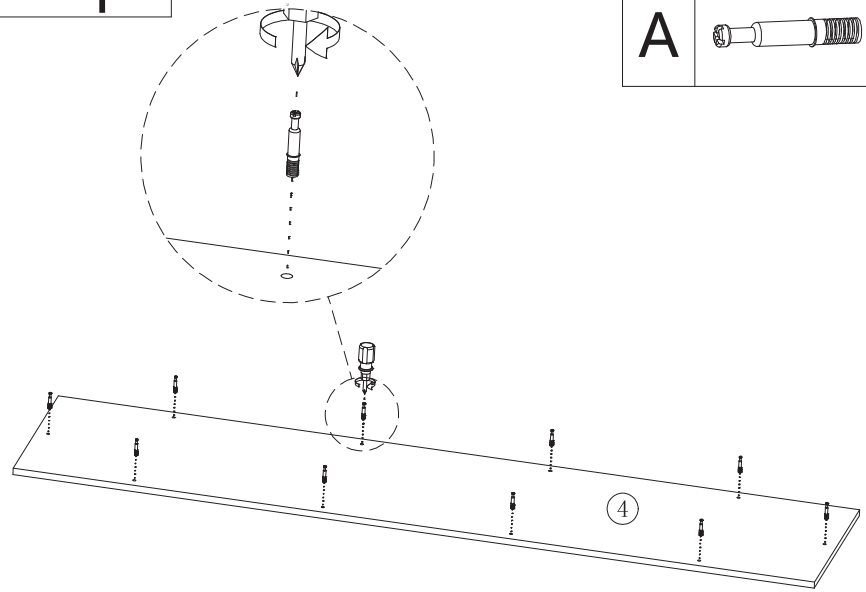
Step4

code	Diagram	count
B		8



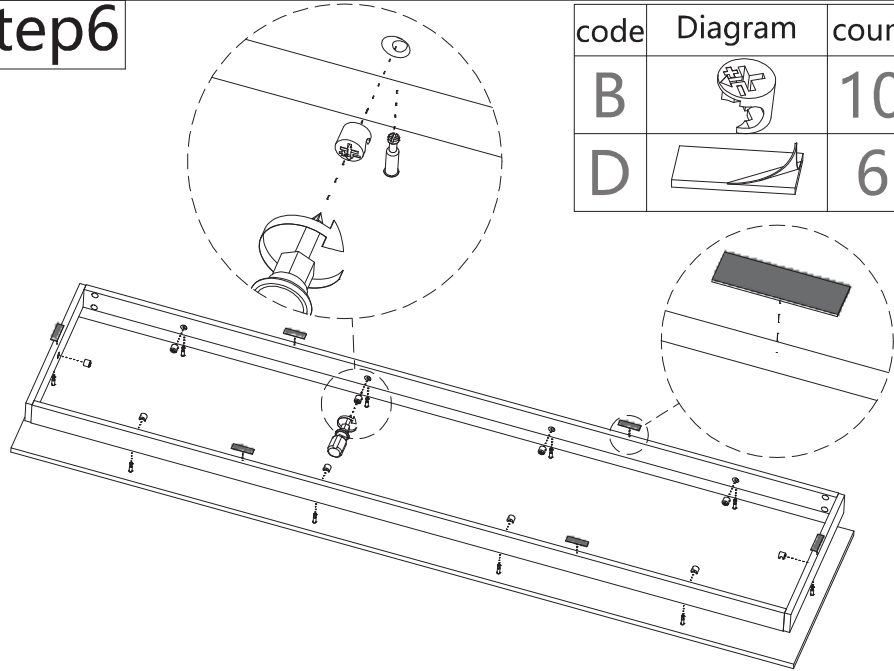
Step5

code	Diagram	count
A		10



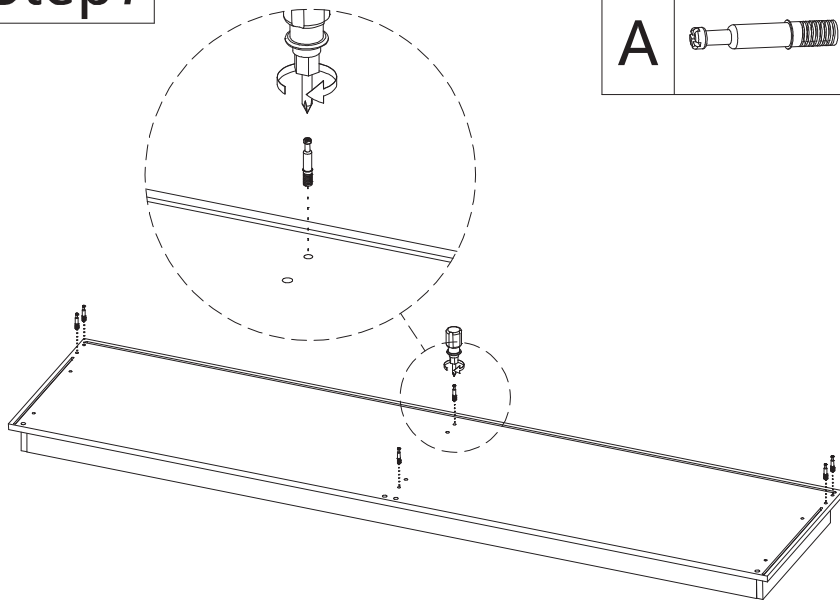
03

Step6




code	Diagram	count
B		10
D		6

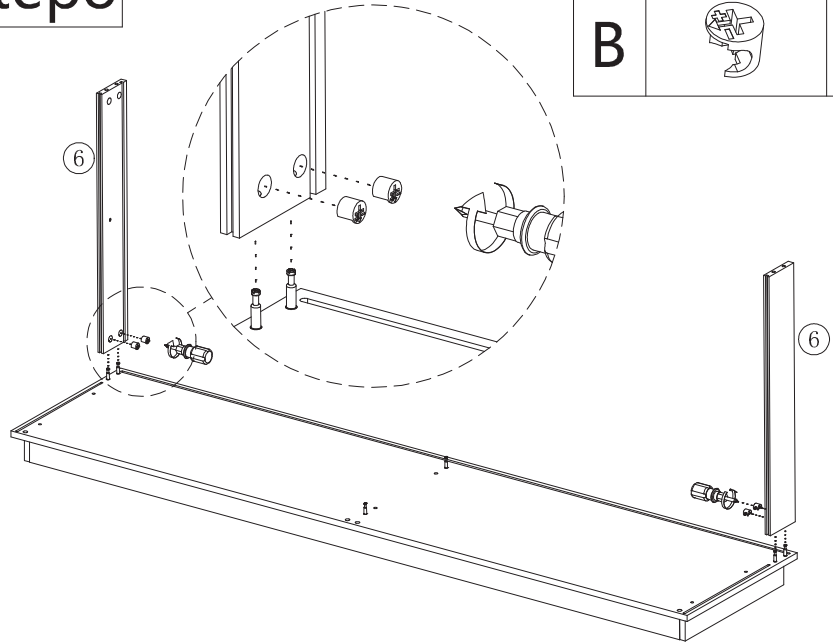
Step7





code	Diagram	count
A		6

Step8

code	Diagram	count
B		4

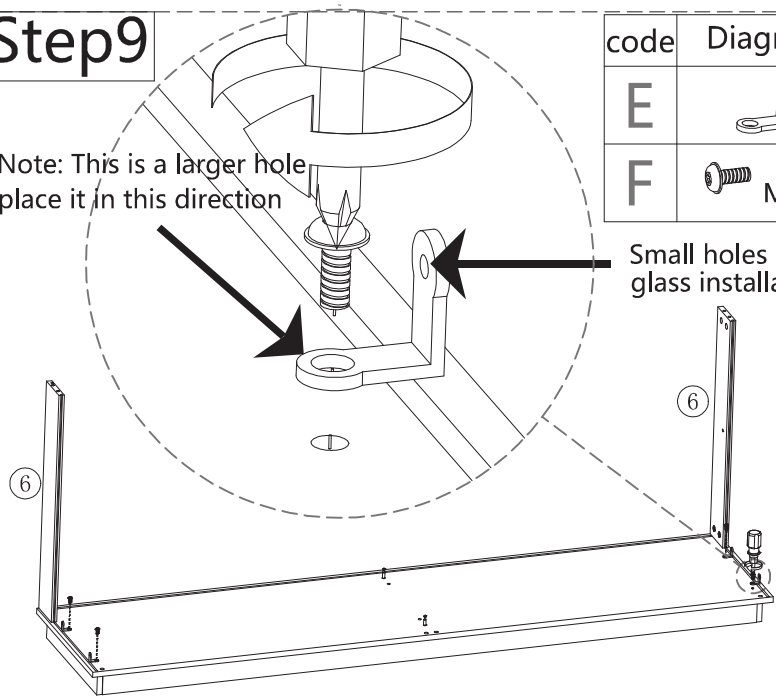


Step9

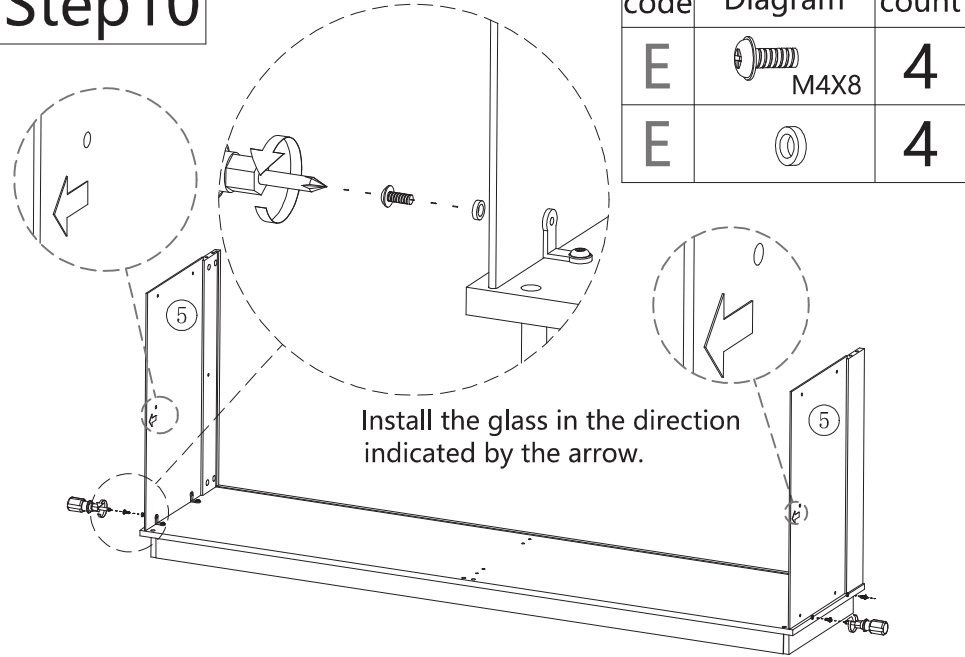
code	Diagram	count
E		4
F	 M4X8	4



Note: This is a larger hole
place it in this direction

Small holes are used for
glass installation

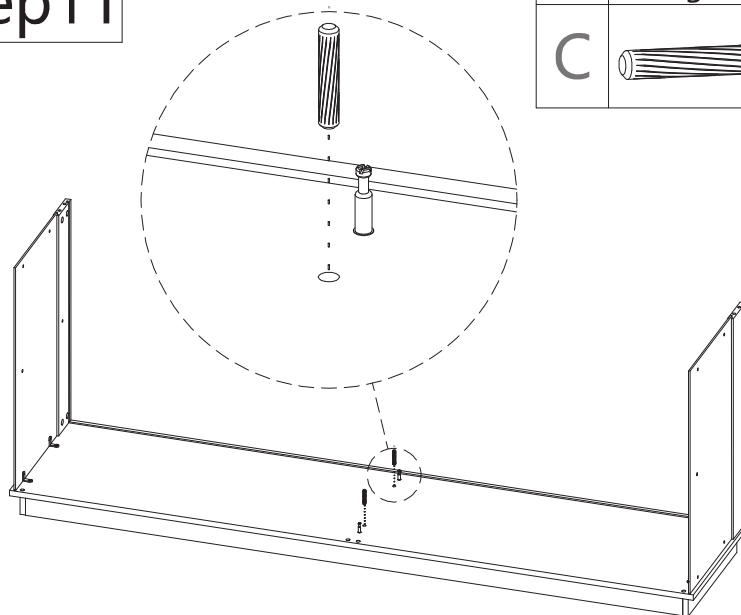



Step10



code	Diagram	count
E	 M4X8	4
E		4

Step11

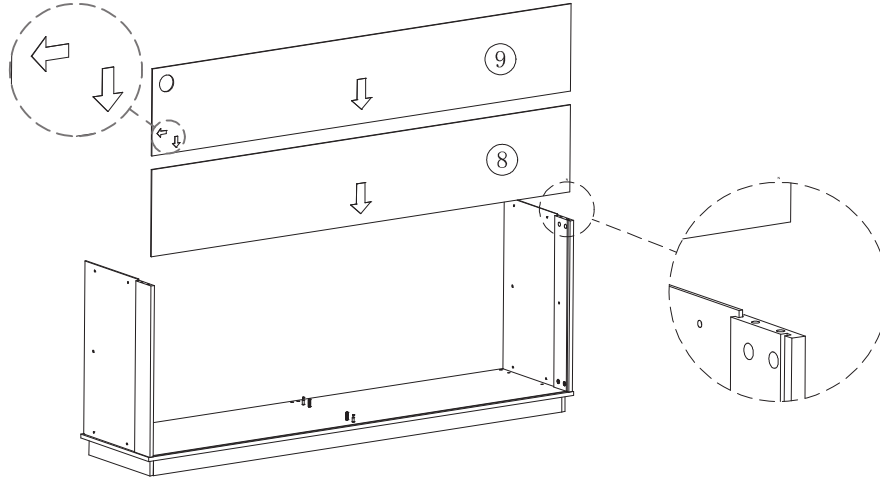


code	Diagram	count
C		2

06

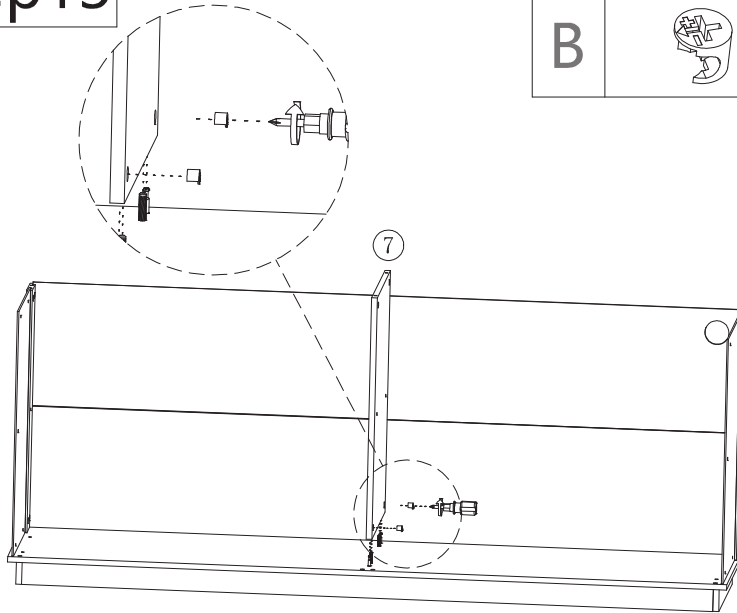
Step12

Note: Insert the board pieces according to this direction.




Step13

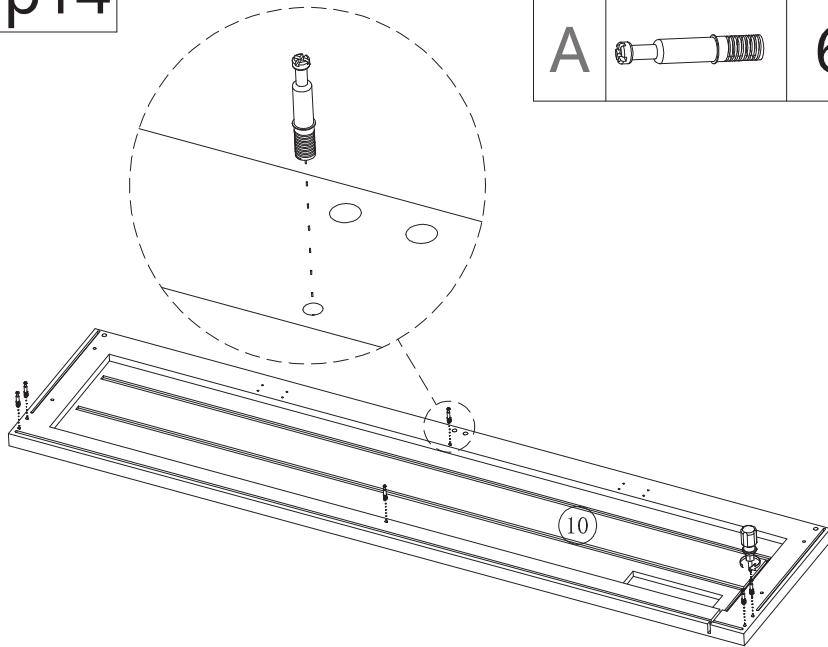
code	Diagram	count
B		2



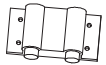

07

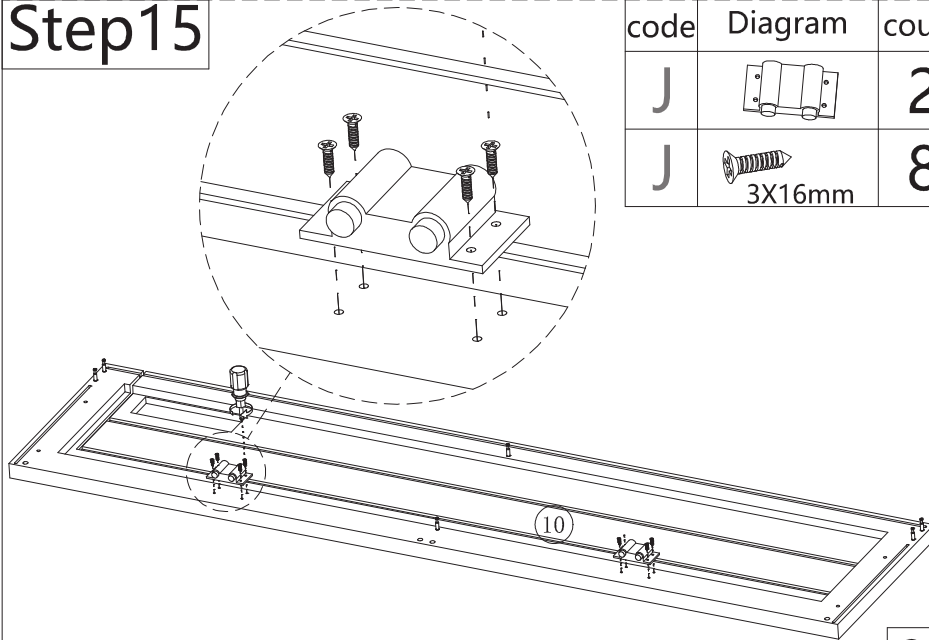
Step14

code	Diagram	count
A		6



Step15

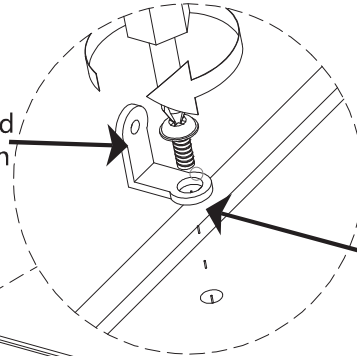
J		2
J	 3X16mm	8





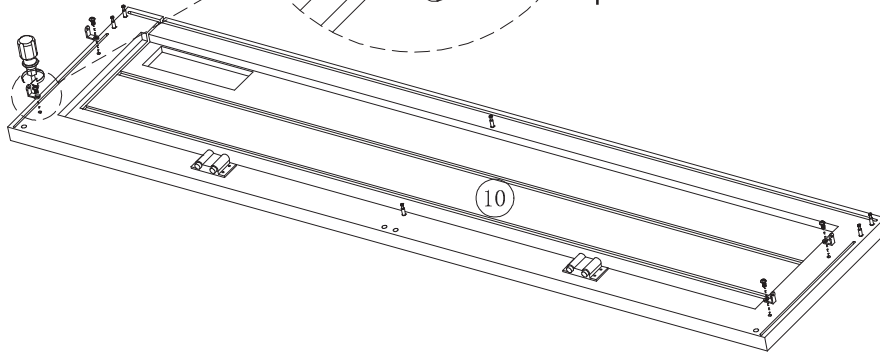
08

Step16

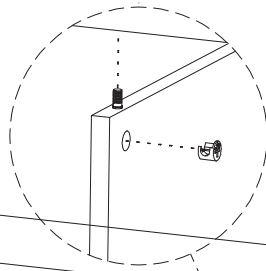
Small holes are used for glass installation




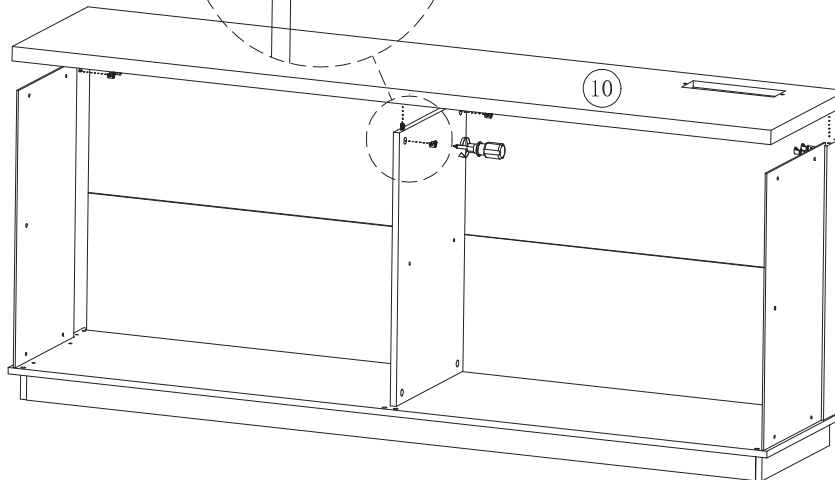
code	Diagram	count
E		4
F	 M4x8mm	4



Step17





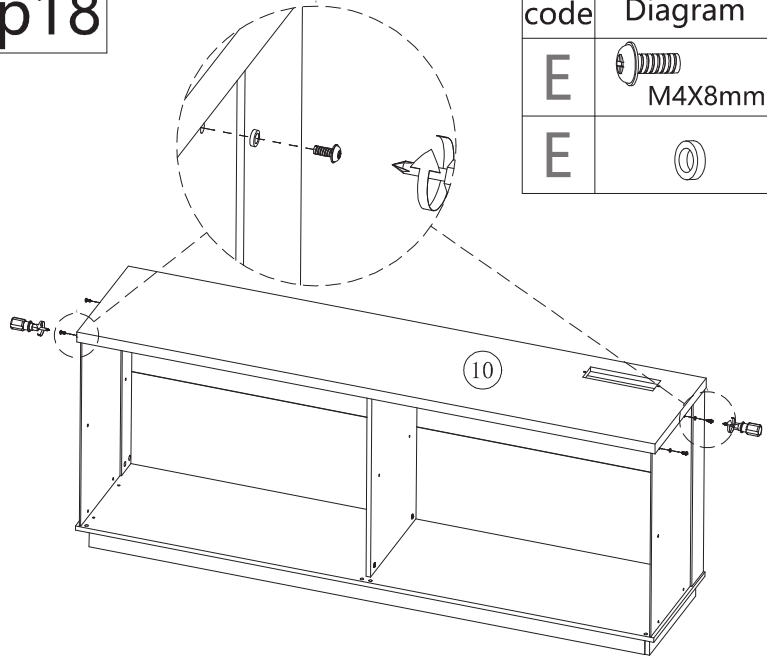
code	Diagram	count
B		6






09

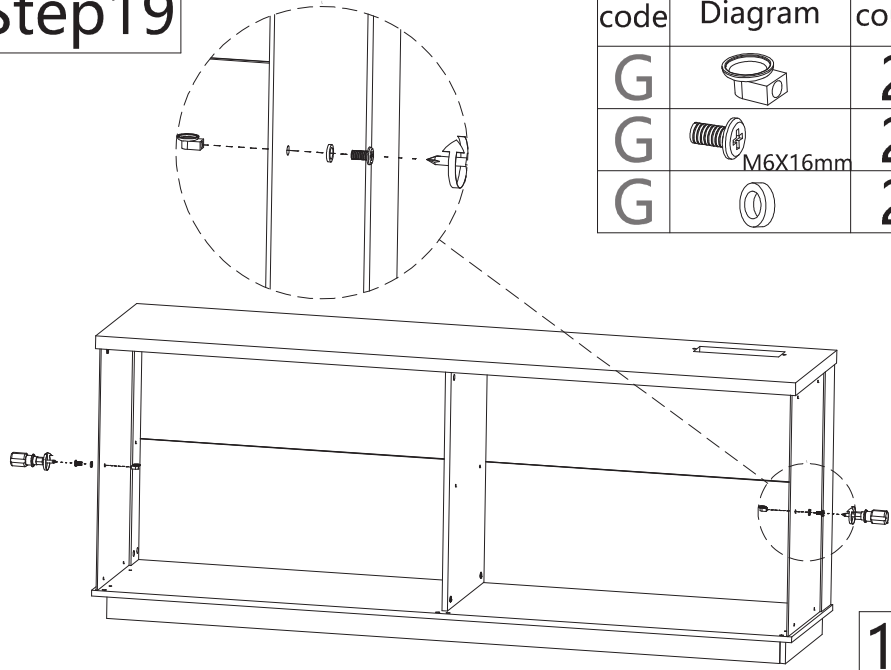
Step18

code	Diagram	count
E	 M4X8mm	4
E		4



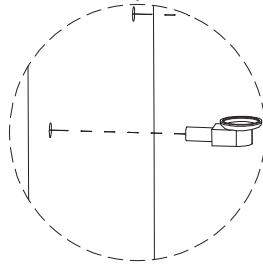
Step19

code	Diagram	count
G		2
G	 M6X16mm	2
G		2

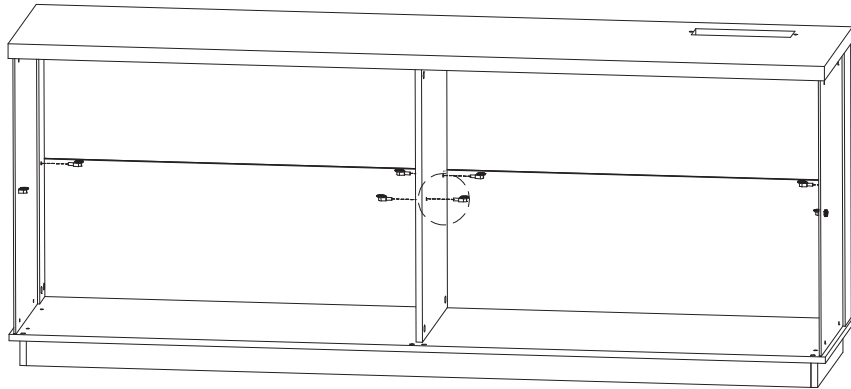


10

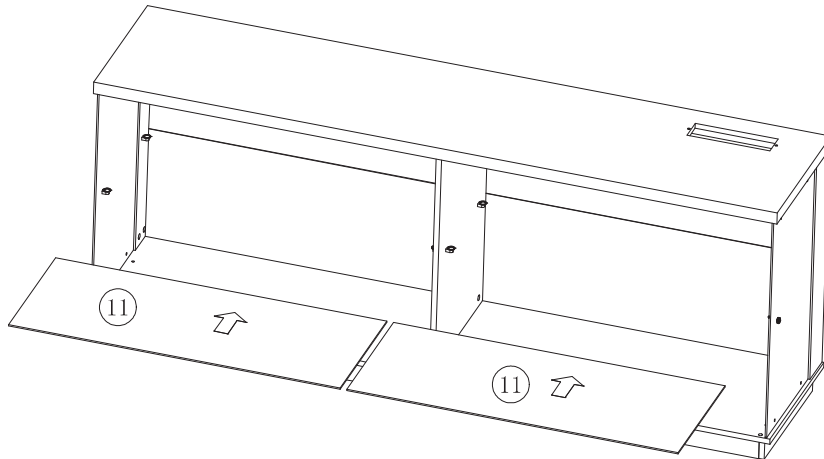
Step20



code	Diagram	count
H		6

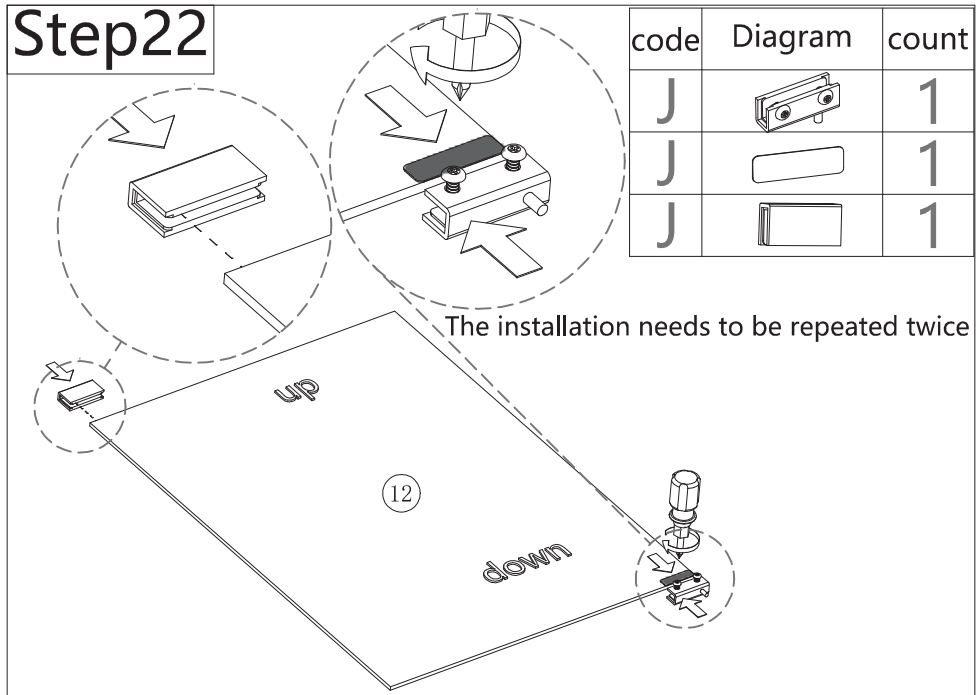


Step21



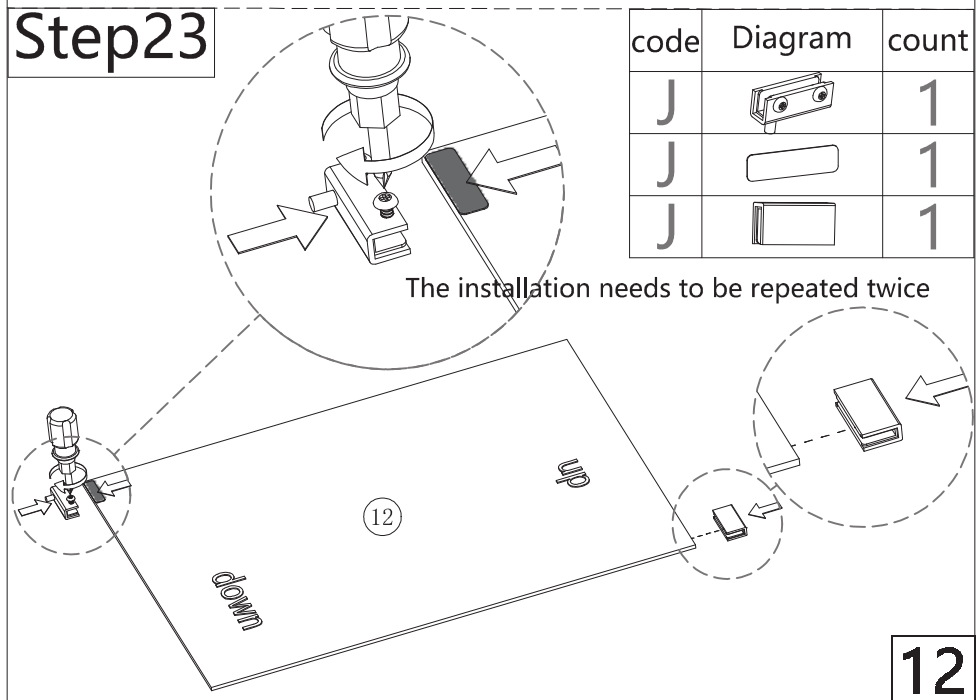
11

Step22



code	Diagram	count
J		1
J		1
J		1


Step23

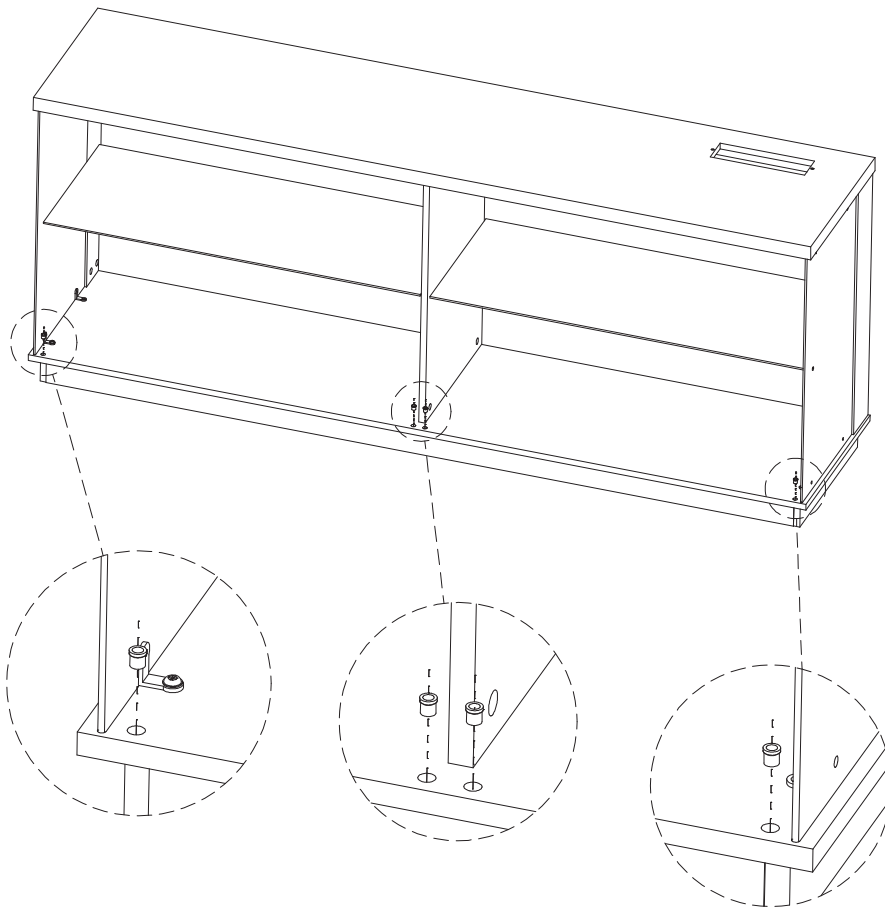


code	Diagram	count
J		1
J		1
J		1

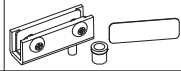

12

Step24

code	Diagram	count
J		4pcs

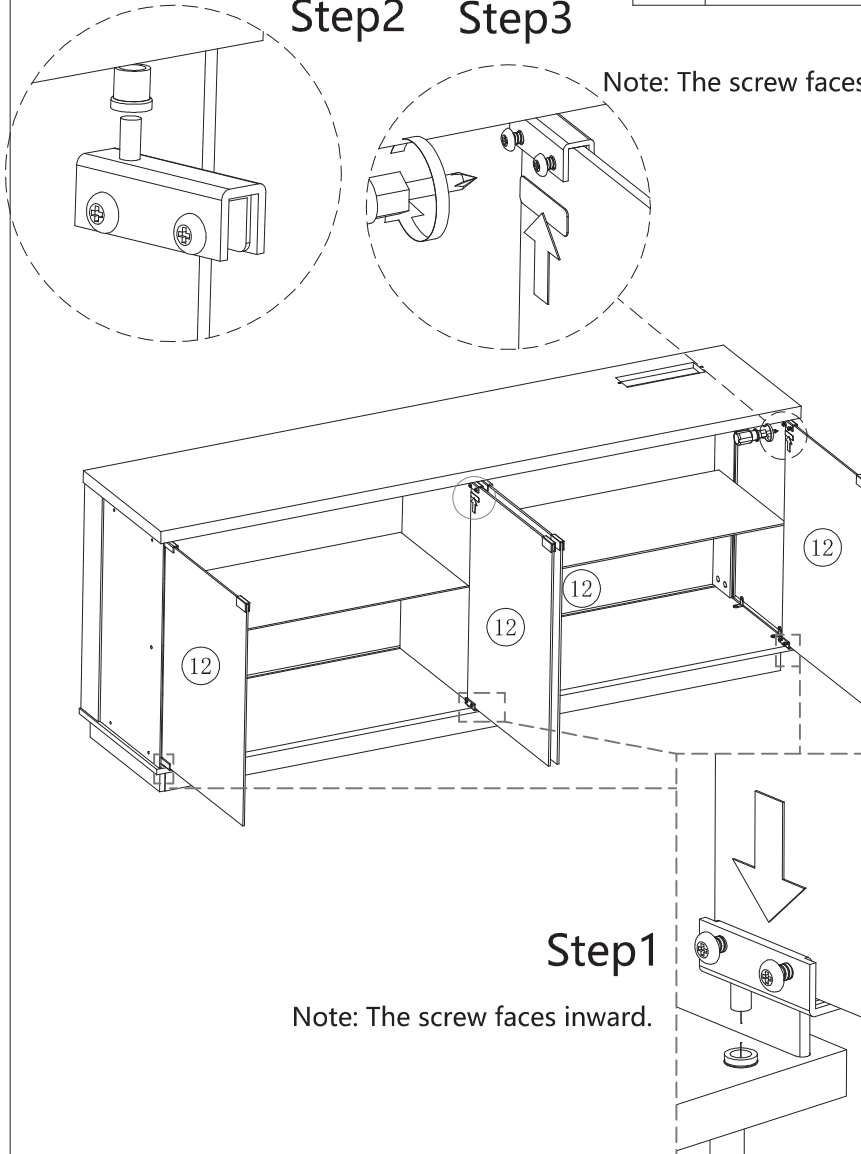


Step25

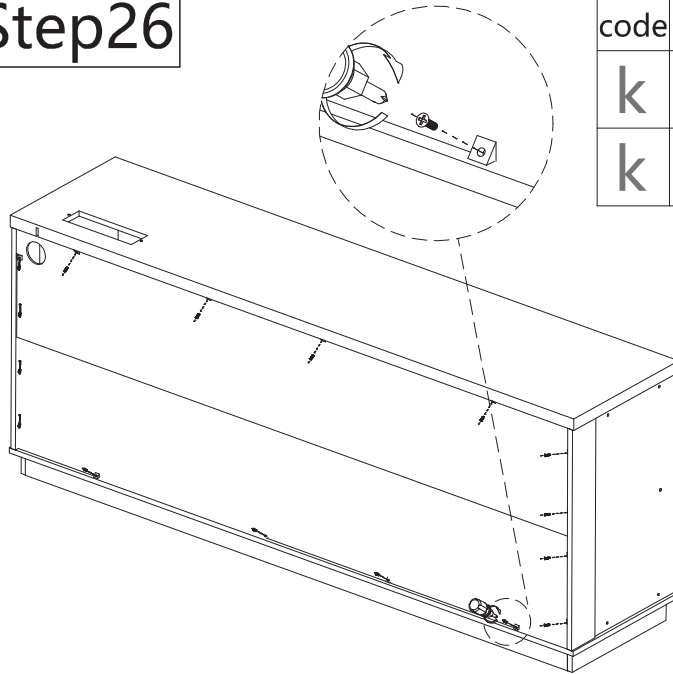
code	Diagram	count
J		4
J		4

Step2 Step3

Note: The screw faces inward.



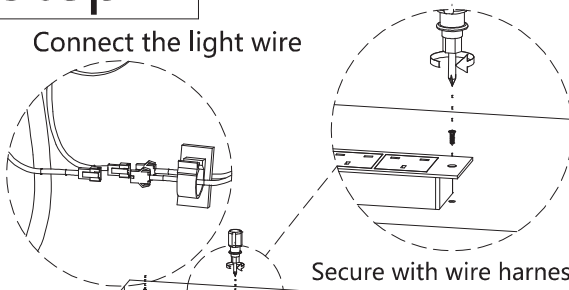
Step26



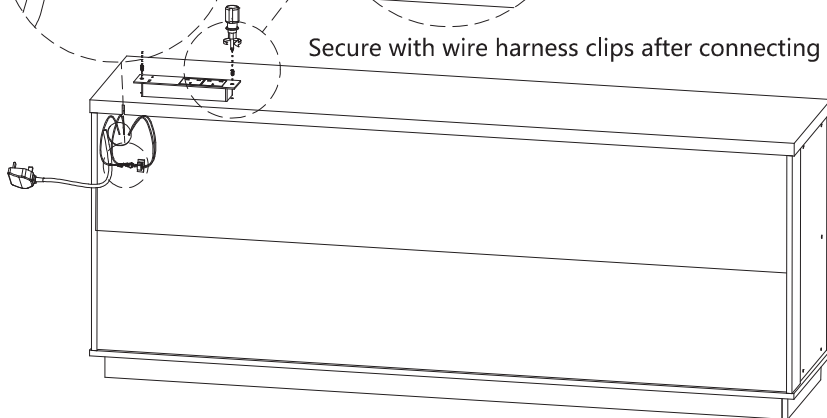
code	Diagram	count
k		16
k		16

Step27

Connect the light wire



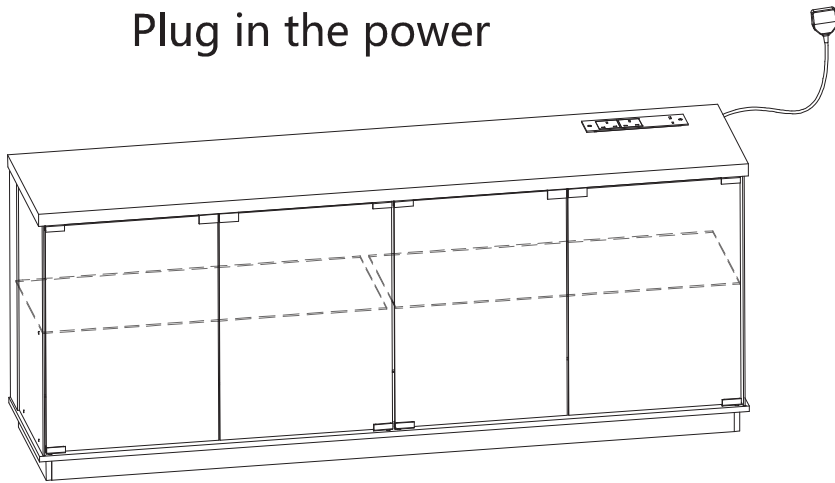
code	Diagram	count
L		1
L	3.5X12mm	2
M		2



15

Step28

Plug in the power





User's Guide

Thank you for purchasing this product.

To use this product, please connect it to a power source.

Please use if the product works normally after connecting to power.

Introduction

The box is an intelligent controller.

It has 1 USB output port 1 Type-c port, and 2 socket outlets.

With 2 touch buttons, it can and turn ON/OFF the induction function, turn ON/OFF the light, adjust the light luminance, and change light colors.

The lights can be controlled through both the touch buttons and a dedicated app.

Operation



This touch button is used to turn the light on/off, adjust brightness, and switch the color of the lights.

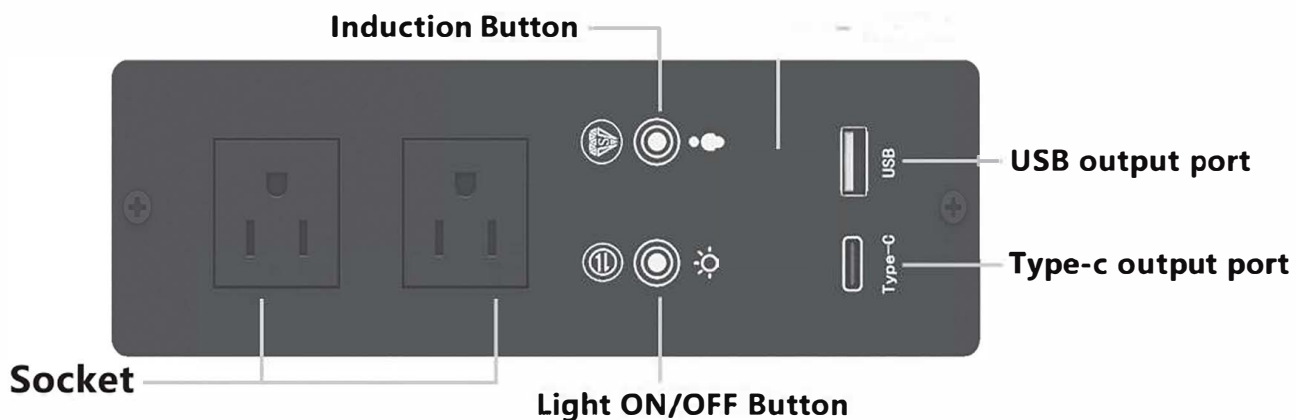
- i. Single Click: Turn the light on/off.
- ii. Quick Double-Click: Switch between 7 static RGB colors.
- iii. Long Press (2+ seconds): Adjust the light luminance.



This touch button is used to switch dynamic phantom colors and turn ON/OFF the induction function.

- i. Single Click: Switch to Phantom Mode, with 5 magical color transformations available.
- ii. Human Body Sensing Control: Long Press (3+ seconds): Turn on The key press indicator light is on.)
Long Press (3+ seconds): Turn off (The key press indicator light is off.)

By default, the human body sensing is enabled upon initial power-on, and the indicator light is on.



ATTENTION PLEASE

1. If there is no touch response suddenly, Re-plug the power to reset the touch static electricity.
2. If you have any questions when installing, please feel free to contact us. Thank you.

Socket styles differ by region,
but their overall functions remain unchanged.

American socket



British Socket



European socket



Australian socket



