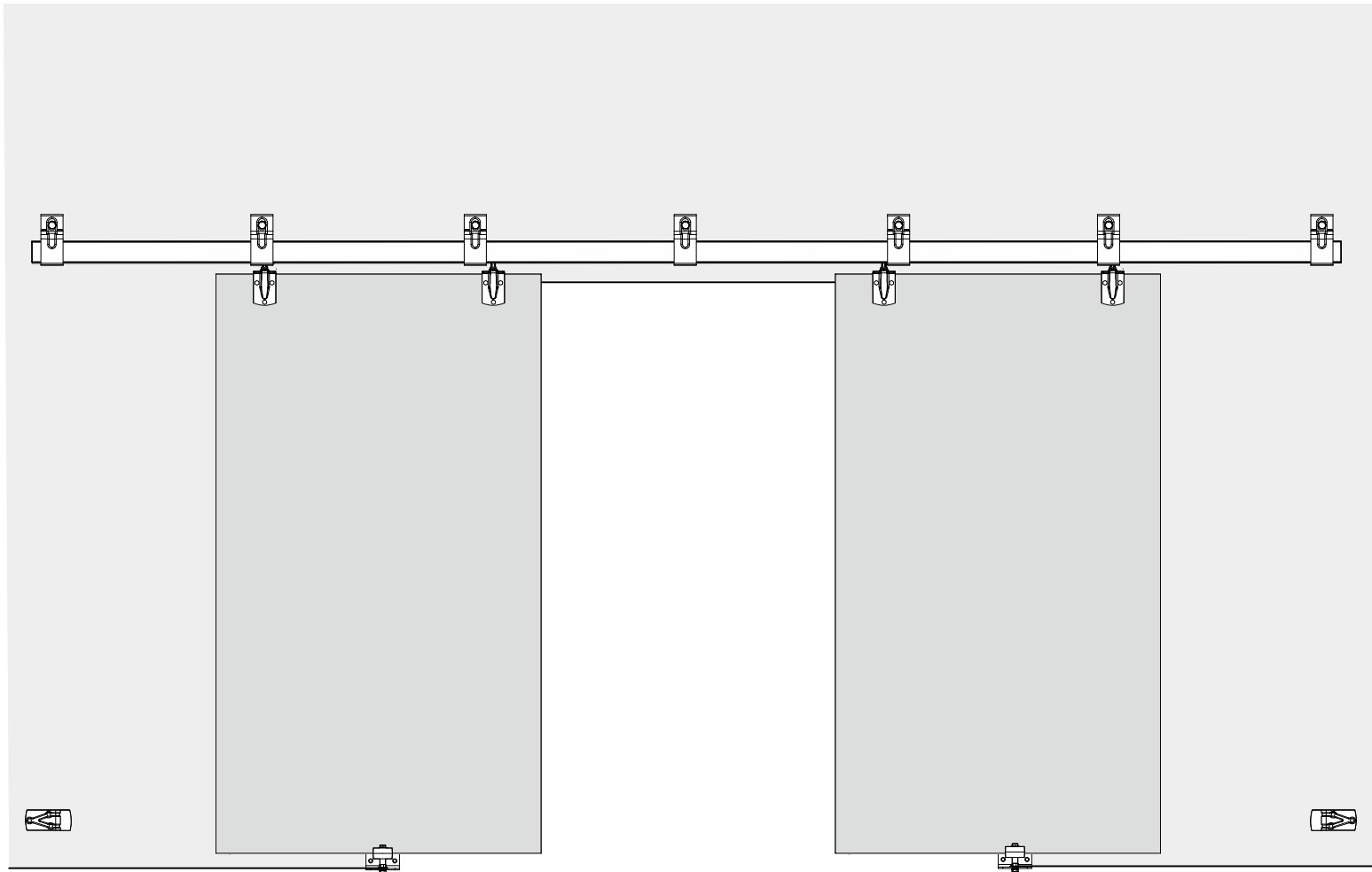


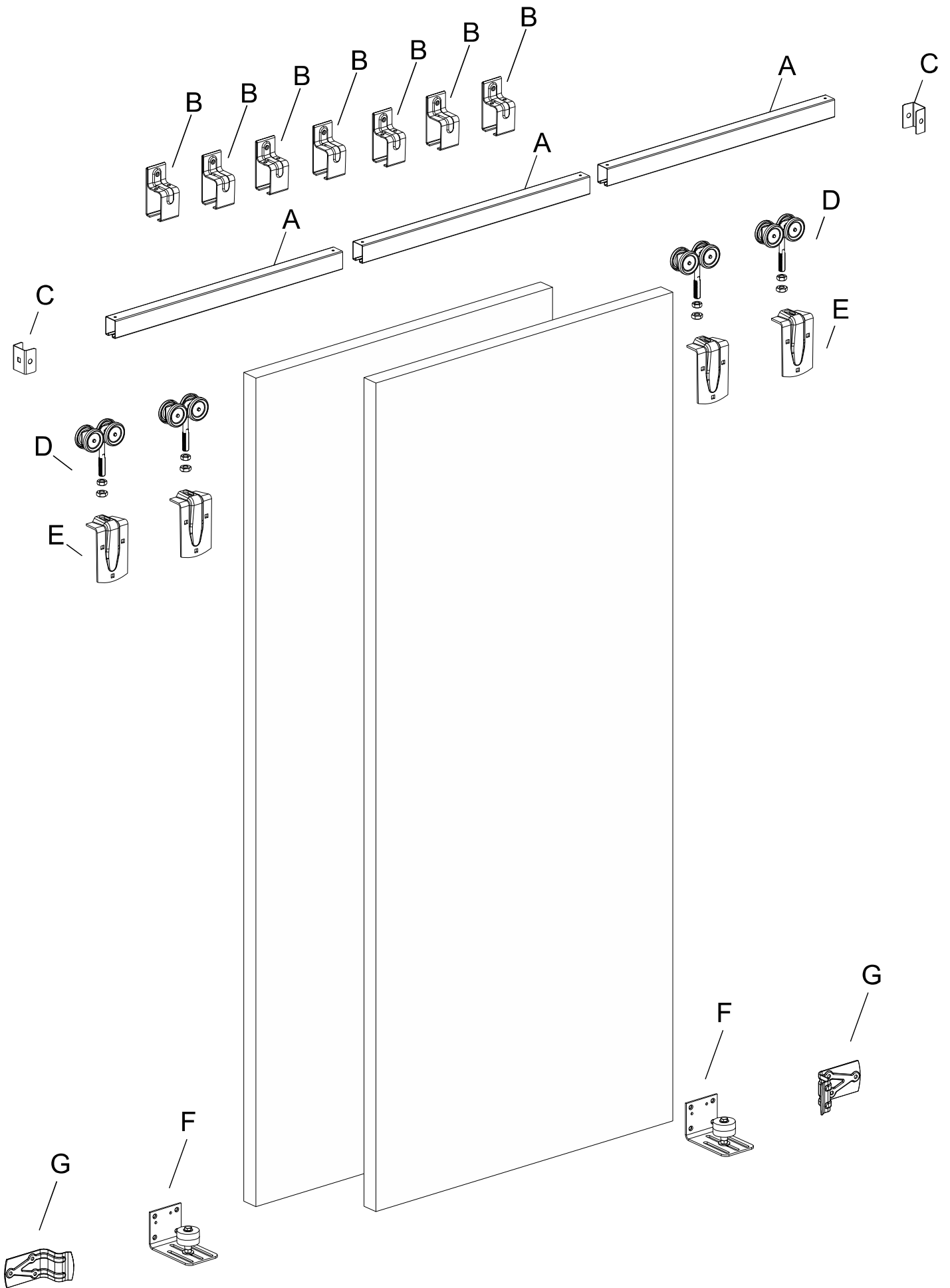
For door 1-3/8" (35mm) to 1-3/4"(45mm)
Up to 450lbs (204kg) per panel

Installation Manual

TSQAL11-10FT-2D

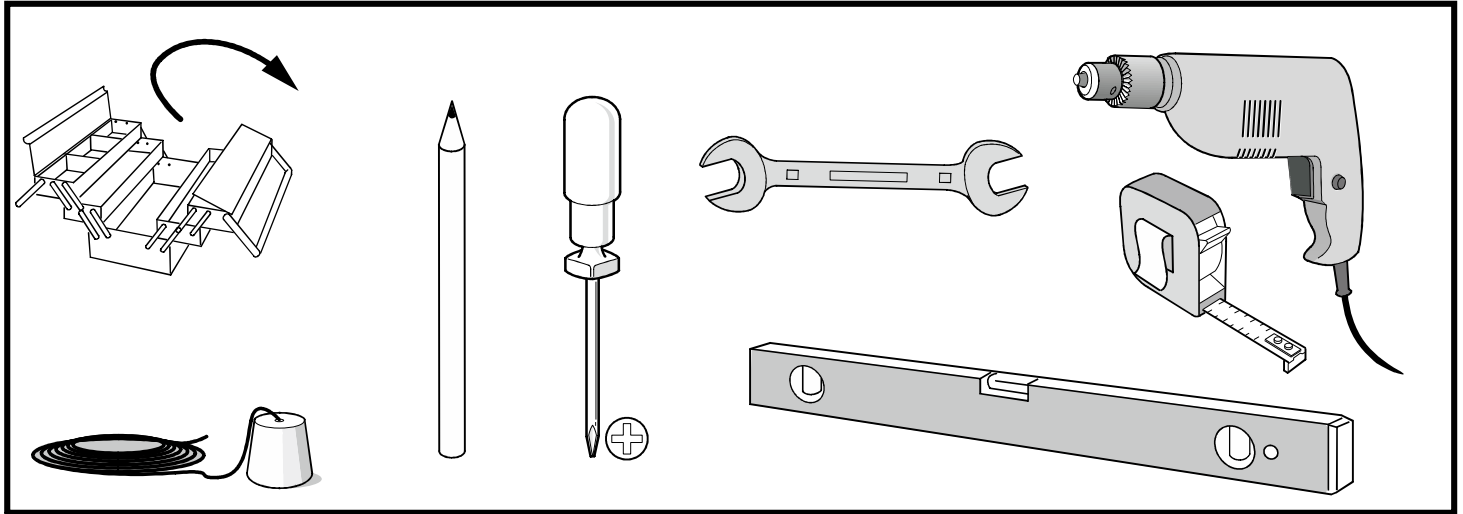


Components list



Pre-installation

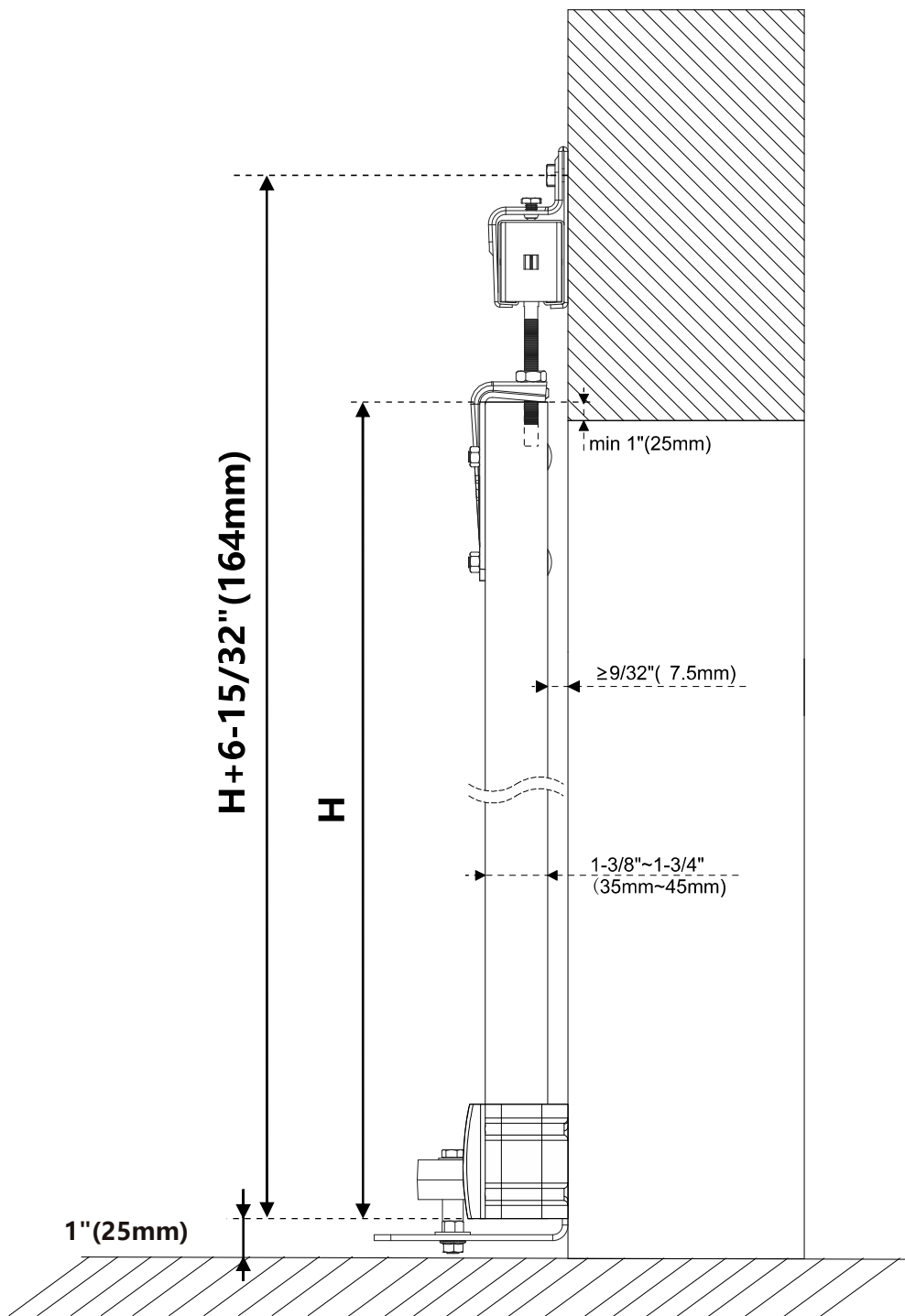
TOOLS REQUIRED

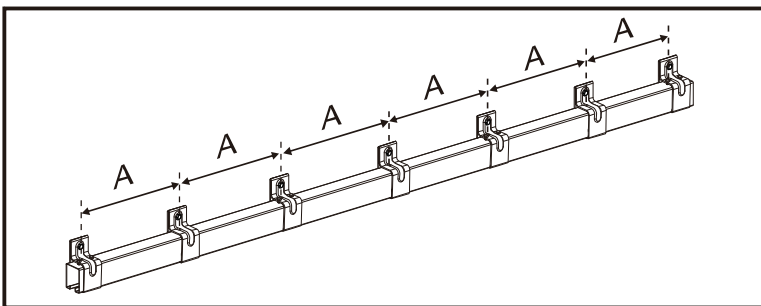
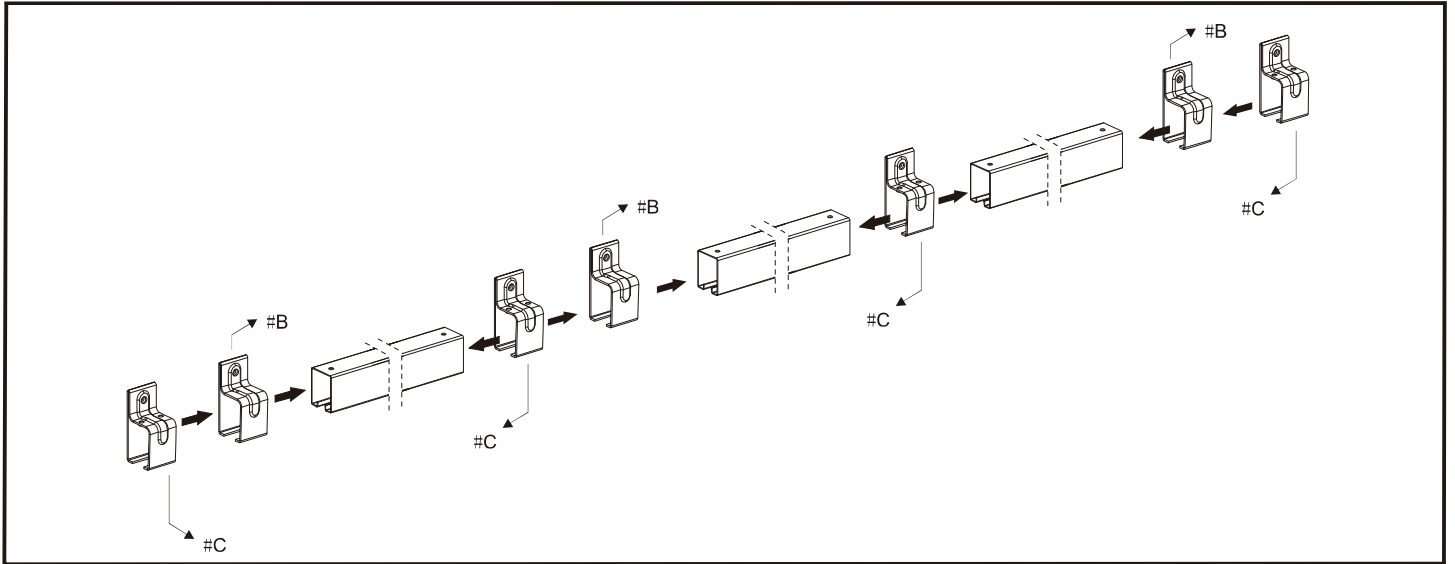


A (x3)	B #B (x3) #C (x4) (x8) (x7)	C (x2)
D (x4) 4.5" (x4) 3/4" (x4) 7/8" (x4)	E (x4) (x12) (x12)	F (x2) (x8) (x8)
G (x2) (x6)		

To provide feedback on a particular part, please mark it by circling in the instruction manual and kindly send us a photo.

Section drawing

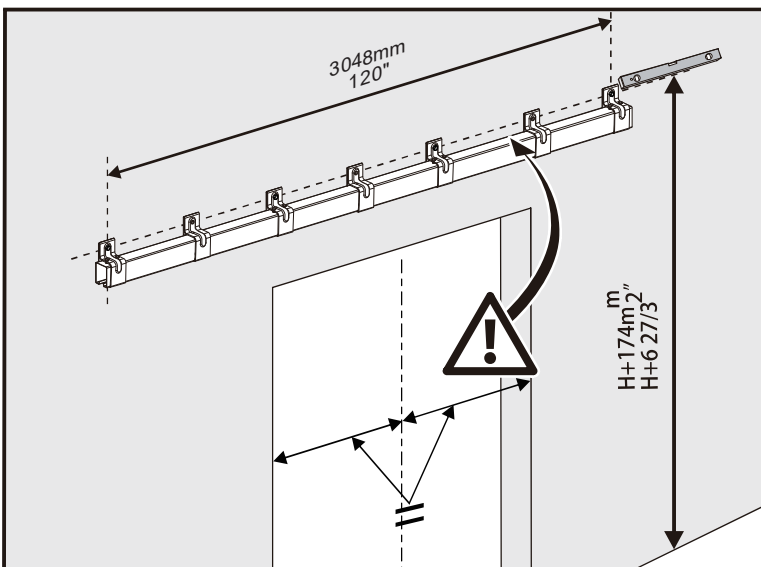




STEP 1

Slide Brackets #B and #C onto Box Rail and loosely position into place so that weight is evenly distributed.

NOTE: Brackets #C should be located at the edge of rail.

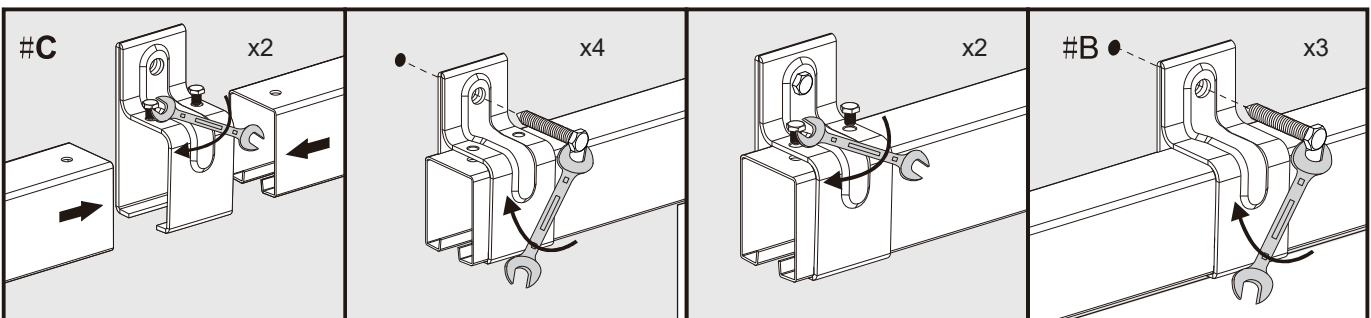


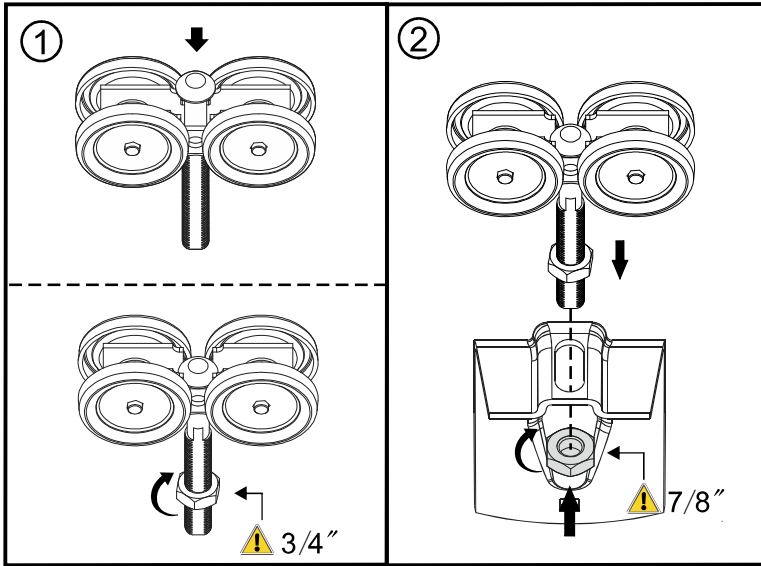
STEP 2

1. Mark screw hole locations.

2. Position Brackets into marked place and fasten into studs with #5/16 in diameter lag screws.

NOTE: Be sure to align markings in a level before drilling. One bracket should be installed every 2 feet (610mm) of rail.

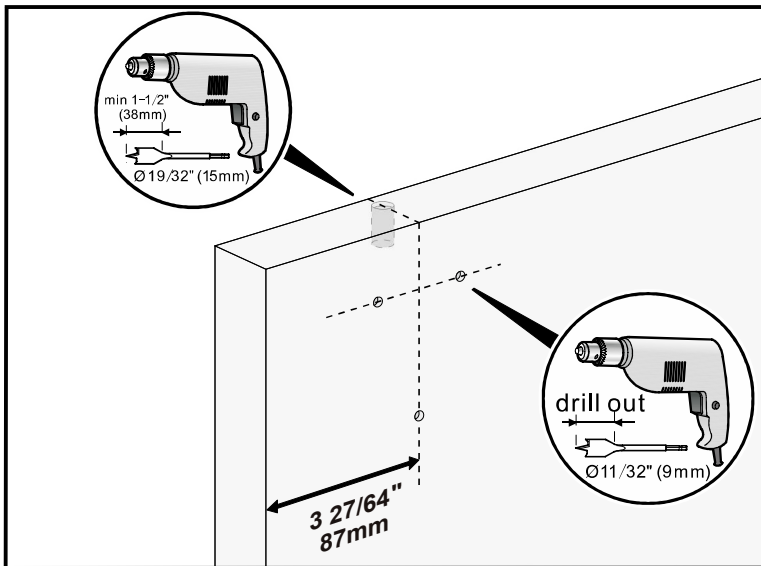




STEP 3

Assemble Hanger and Strap.

1. Slide Connector Bolt through center hole of hanger, attach #3/4 in Hex Nut and tighten.
2. Insert Door Strap and secure into place with #7/8 in Hex Nut.
3. Repeat for another Hanger.



STEP 4

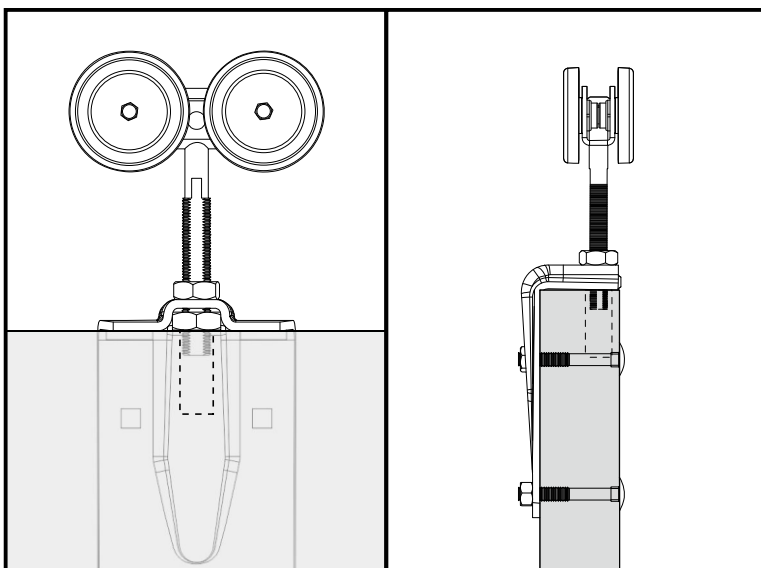
1. Place assembled hangers on door and position to distribute door weight evenly, minimum 3 27/64 in (87mm) from edge of door.

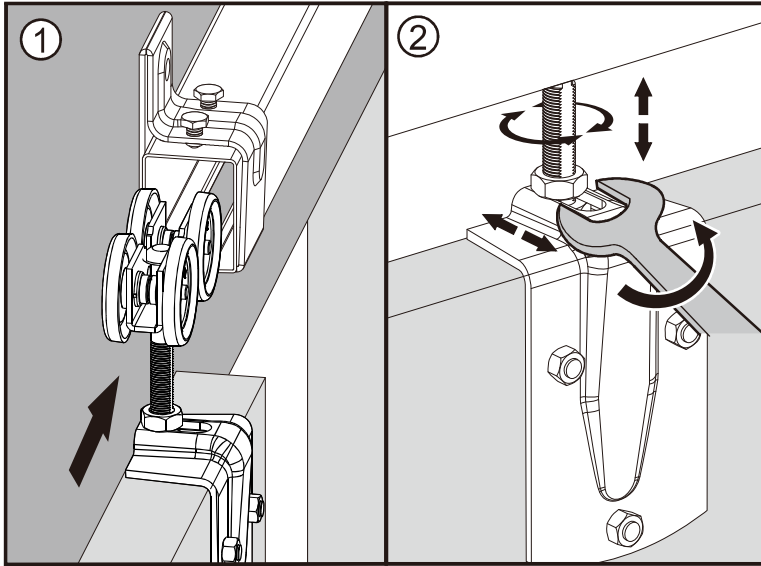
2. Drill 19/32 in (15mm) hole at top of barn door for 1/2 x 4 1/2 in Connector Bolt, insert excess threading into drilled hole and have it flush against top of door.

3. Use Strap as template, mark and drill holes for #5/16 screw bolts. Use 5/16 x 2 1/4 in screw bolts and 5/16 in HexNut to secure barn door to Door Straps.

NOTE: Door straps mount on outside of barn door and bolt heads must be on inside of door.

It is recommend to use no more than two hangers per door.



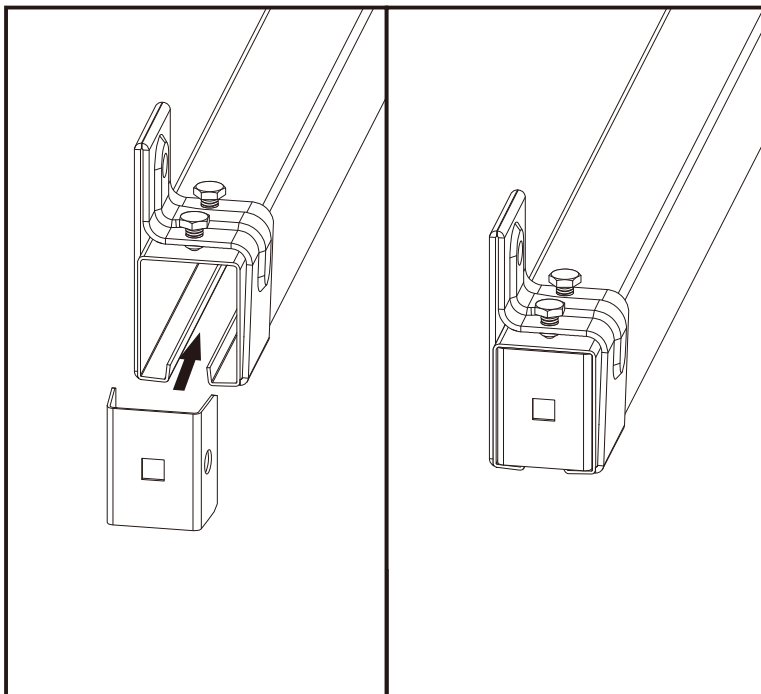


STEP 5

1. Slide Hangers into Box Rail.

2. Adjustments. Vertical adjustments are made by turning the Hex Nut on the top of Door Strap with a wrench.

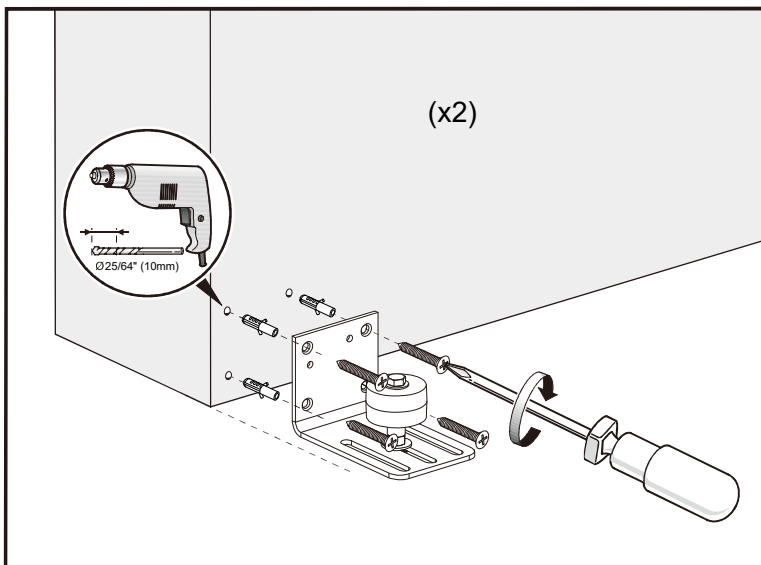
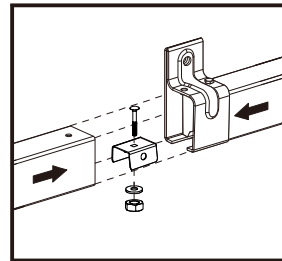
Lateral adjustments are made with slot in Door Strap.



STEP 6

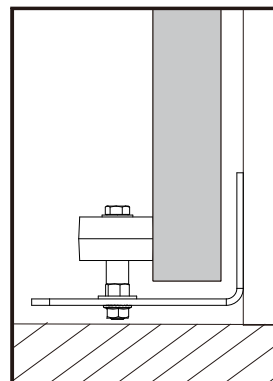
After door is hung, insert both End Caps into end of Box Rail for single rail application.

End Caps can also be used as center stops with 3/8 in x 2 in carriage bolts (not included) for multiple rail application.



STEP 7

Install floor guide.



STEP 8

Install Door Bumper

