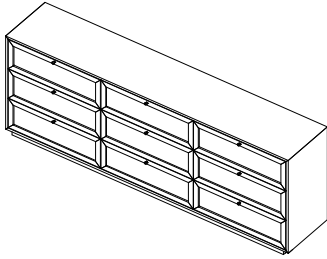


ASSEMBLY INSTRUCTION

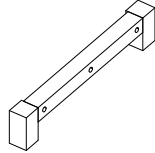
MODEL:

DRESSER 9 DRAWERS

① Dresser Body (1pc)








② Legs (2pcs)

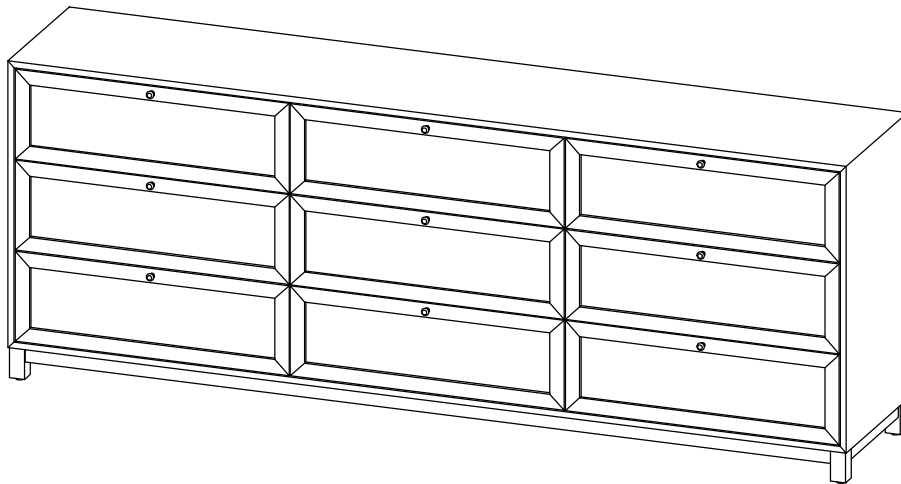


③ Support Legs (2pcs)

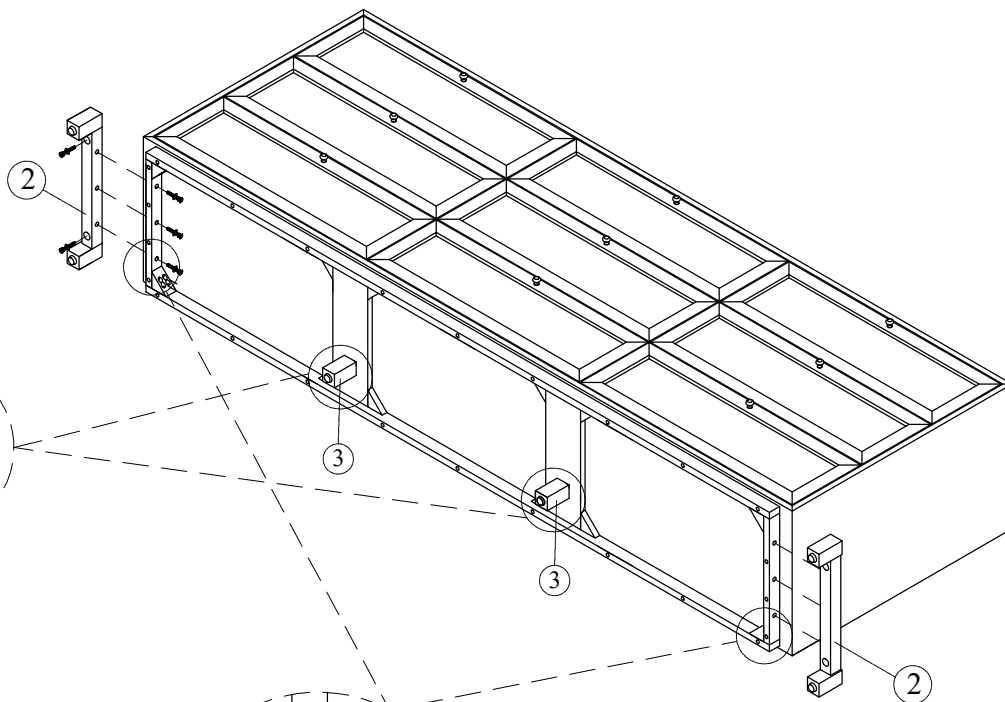
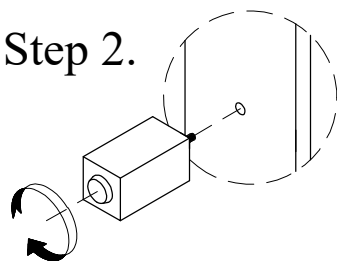


HARDWARE CHECK LIST

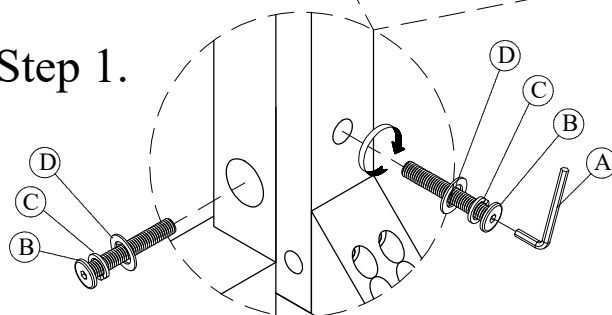
No	Shape	Specification	Q.ty
A		Allen Key 4	01 Pc
B		Allen Head Bolts M8 x 45 mm	10 Pcs
C		Lock Washer Ø8 mm	10 Pcs
D		Washer Ø8 x Ø 19 mm	10 Pcs
E		Tilt kit bracket	02 Pcs



Step 2.



Step 1.



REMARK: There is a tip restraint kit provided on the back of this product please read the direction thoroughly and install immediately

