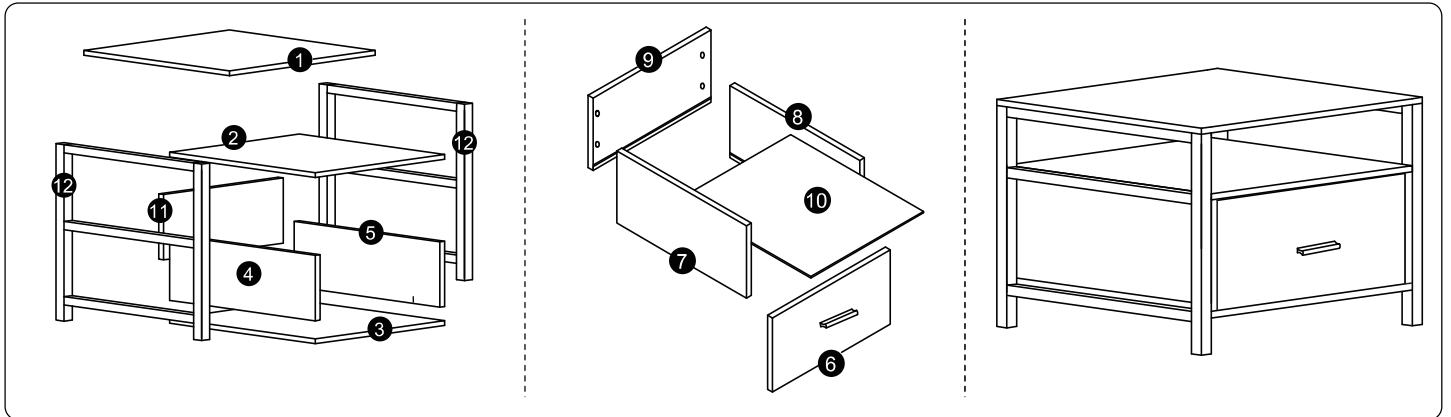


# Instruction Manual

## Tips!

Check all the components & screws before assembly. **Do not install in case part is missing, contact us to get.**



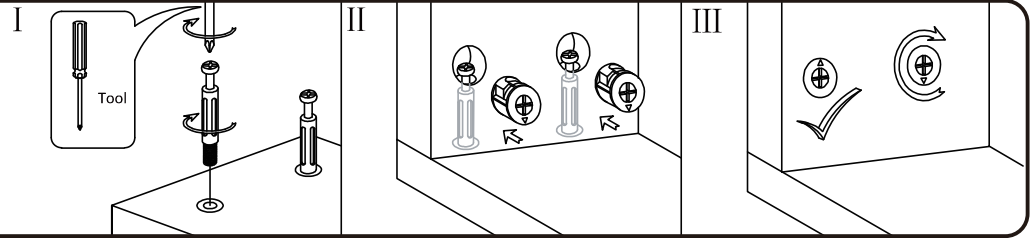
### Components

|   |  |   |    |  |   |
|---|--|---|----|--|---|
| 1 |  | 1 | 8  |  | 1 |
| 2 |  | 1 | 9  |  | 1 |
| 3 |  | 1 | 10 |  | 1 |
| 4 |  | 1 | 11 |  | 1 |
| 5 |  | 1 | 12 |  | 2 |
| 6 |  | 1 |    |  |   |
| 7 |  | 1 |    |  |   |

### Screws&Tools

|   |  |         |    |
|---|--|---------|----|
| A |  |         | 8  |
| B |  | M5*40mm | 10 |
| C |  | M5*50mm | 8  |
| G |  | M6*25mm | 4  |
| S |  | M4*15mm | 2  |
| Z |  |         | 1  |
|   |  |         |    |

# "A" Hardware installation example



## Step A: Drawer Assembly ( 1 2 3 )

