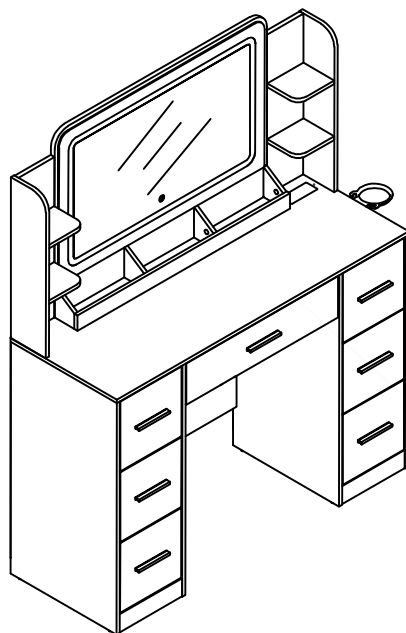
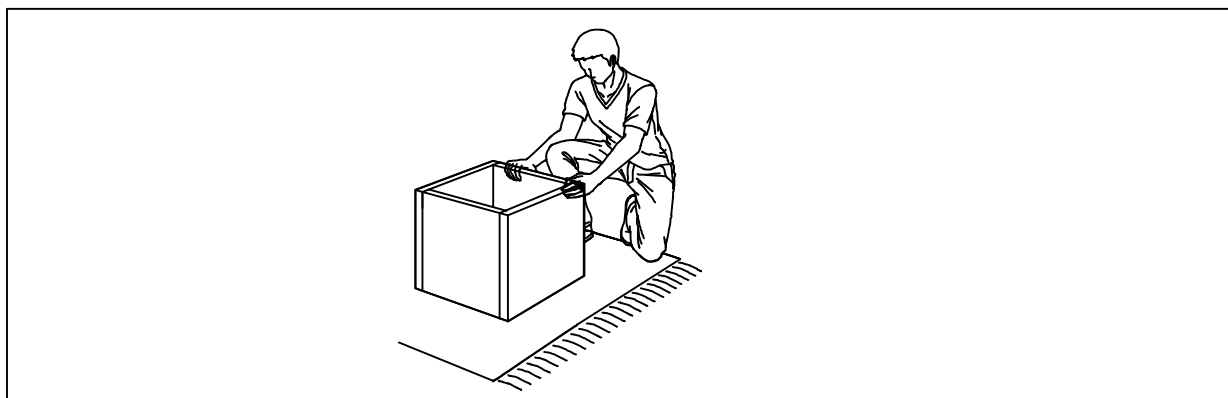


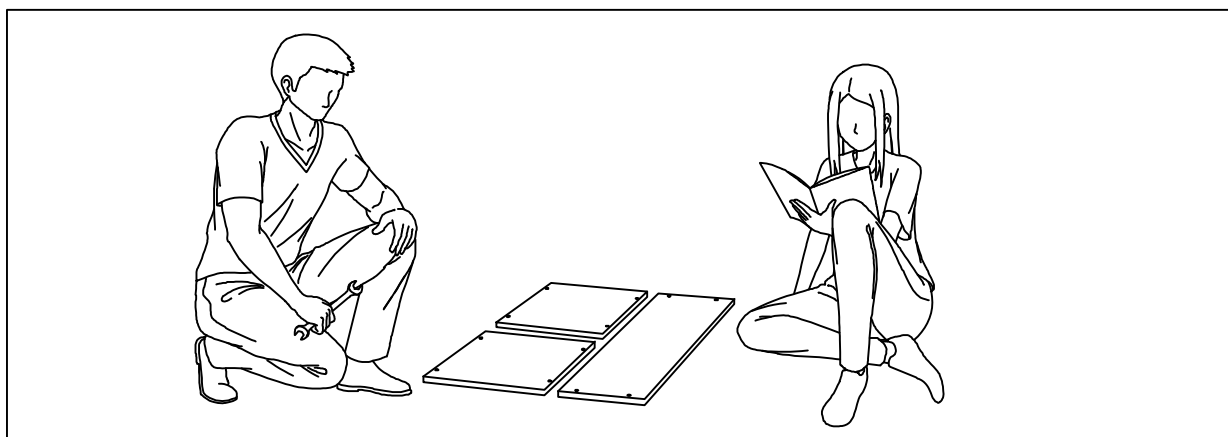
# WARNING!



MAXIUM LOAD  
220lb/100kg



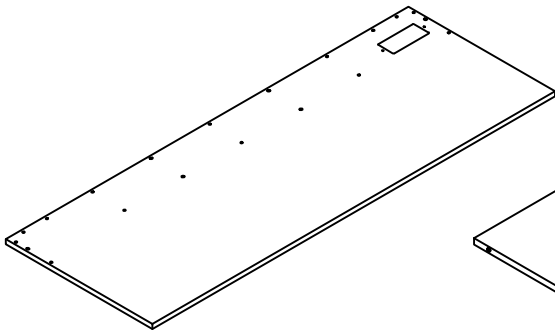
Assembly the furniture on empty carton, carpet, or rug to prevent scratches or damage.



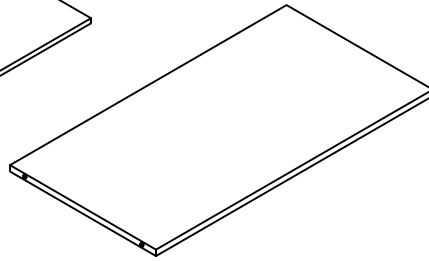
This furniture requires 2 people to assembly.  
Make sure no parts are missing or damaged before assembly.

# BOARD IDENTIFICATION

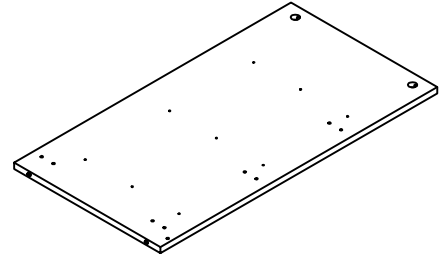
Not actual size



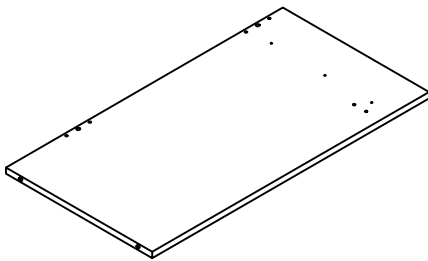
① X1



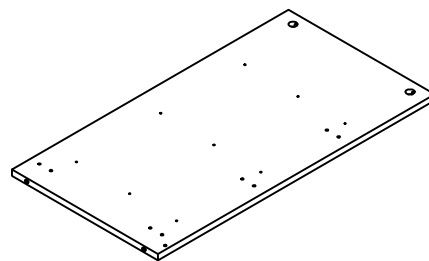
② X1



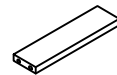
③ X1



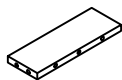
④ X1



⑤ X1



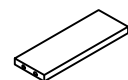
⑥ X4



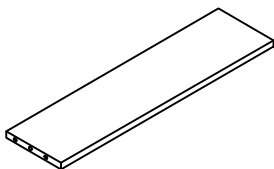
⑦ X2



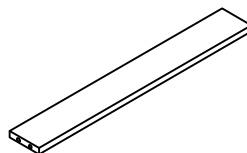
⑧ X2



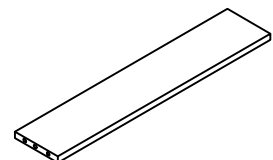
⑨ X2



⑩ X1

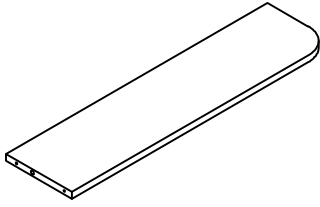


⑪ X1

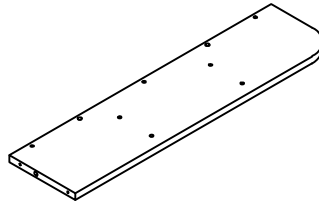


⑫ X1

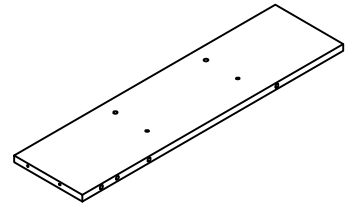
Not actual size



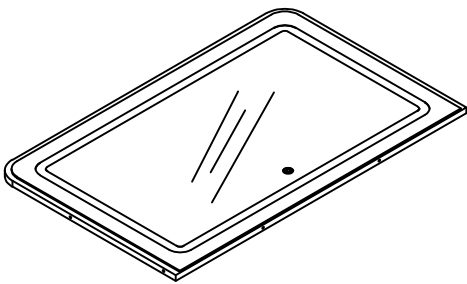
⑬ X1



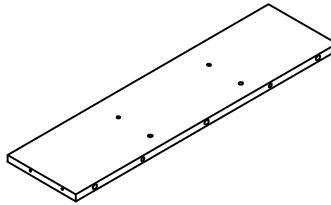
⑭ X1



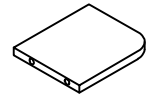
⑮ X1



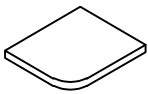
⑯ X1



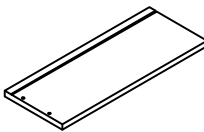
⑰ X1



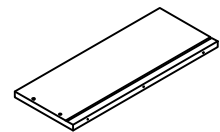
⑱ X2



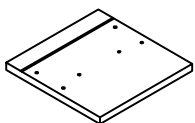
⑲ X2



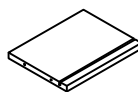
⑳ X6



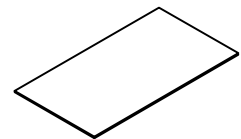
㉑ X6



㉒ X6



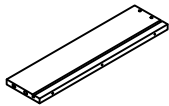
㉓ X6



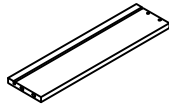
㉔ X6

# BOARD IDENTIFICATION

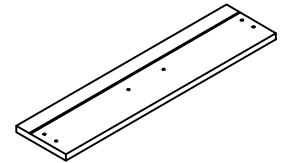
Not actual size



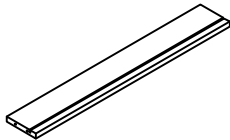
②5X1



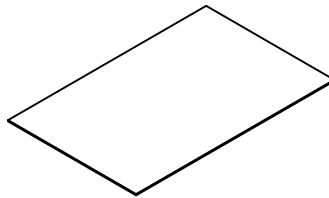
②6X1



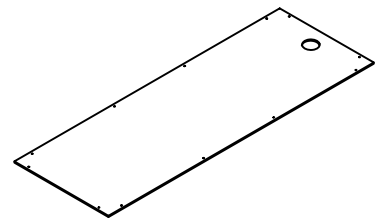
②7X1



②8X1



②9X1



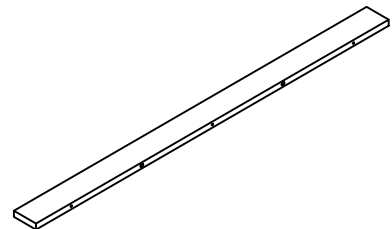
③0X2



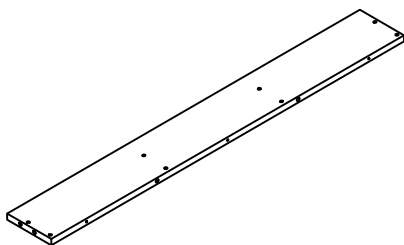
③1X2



③2X2

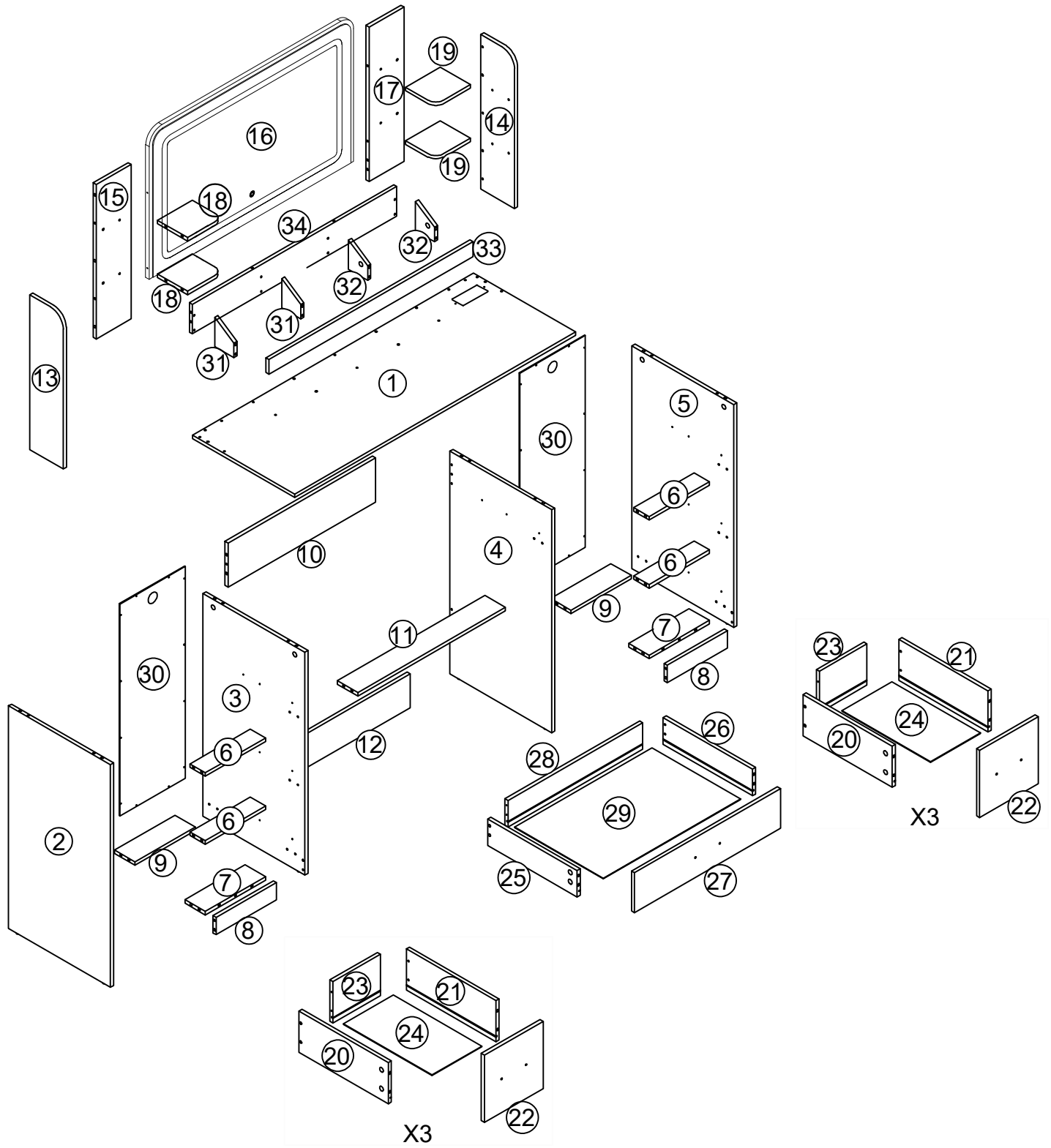


③3X1



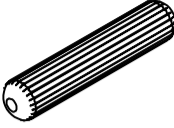
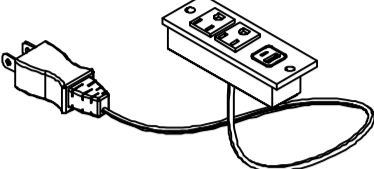

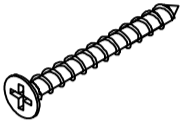
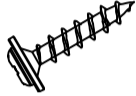
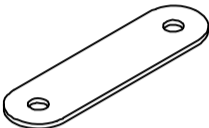
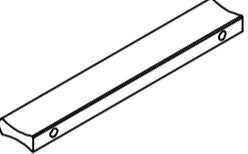
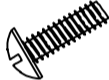
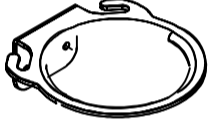
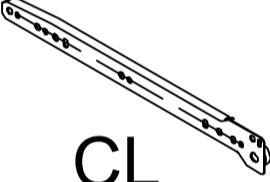
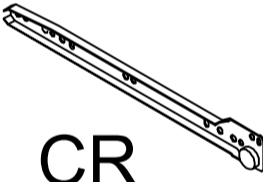

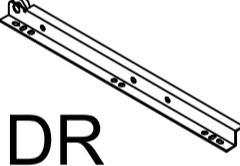
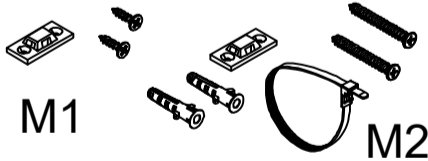
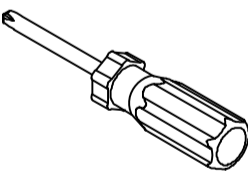
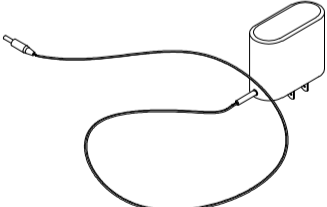


③4X1

# PACKAGE CONTENT

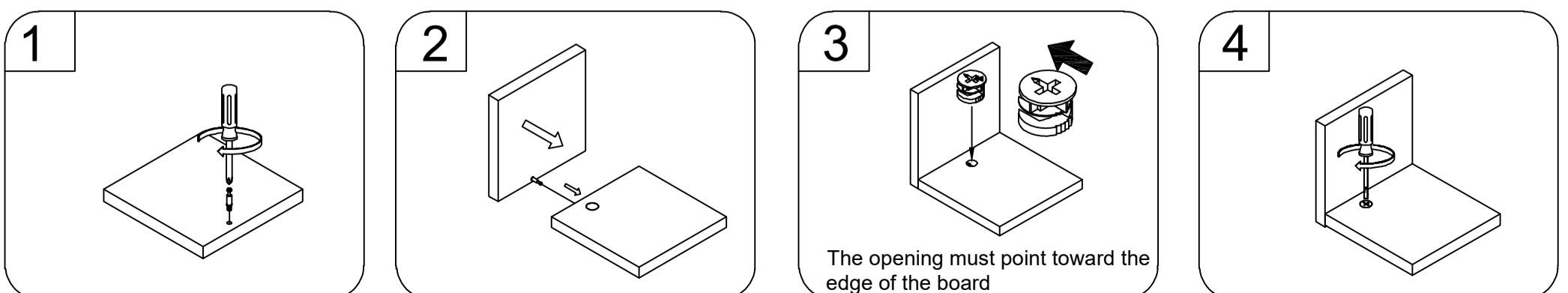


# HARDWARE PART LIST


A	X108+4	B	X108+4	C	X44+2	D	X1
							
Ø6x34		Ø15x9.5		Ø6x30			
E	X104+4	F	X50+2	G	X26+2	H	X9
							
Ø3.5x12		Ø4x35		Ø3.5x14		45x15x1	
I	X7	J	X14	K	X1		
							
Ø106x16x8		5/32"x16		109x99*38,5			
L	X7						
							
CL		CR		DL		DR	
L=350							
M	X1SET	N	X1	O	X1		
							
M1		M2					

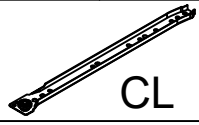
## Cam Lock Fastening System

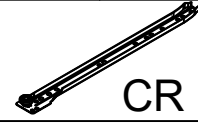
Insert the cam bolt into the hole first, then insert the cam lock and lock it.

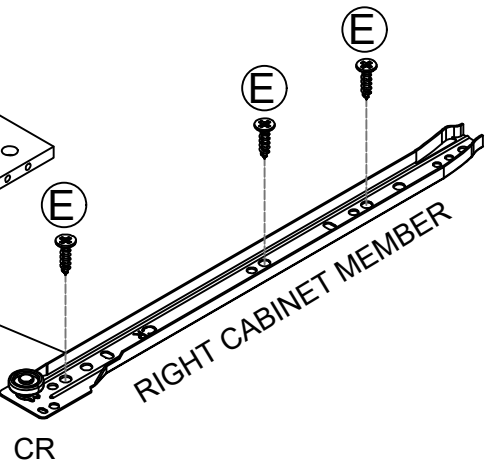
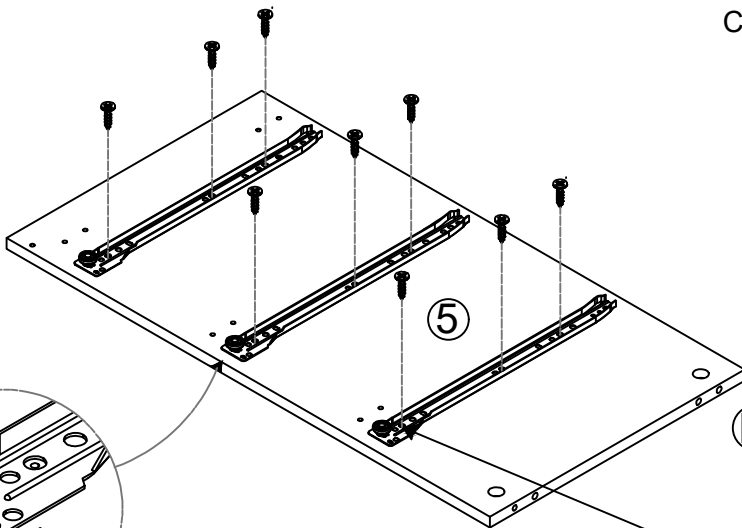
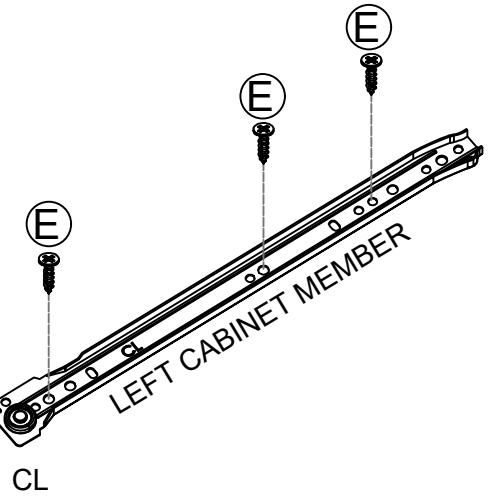
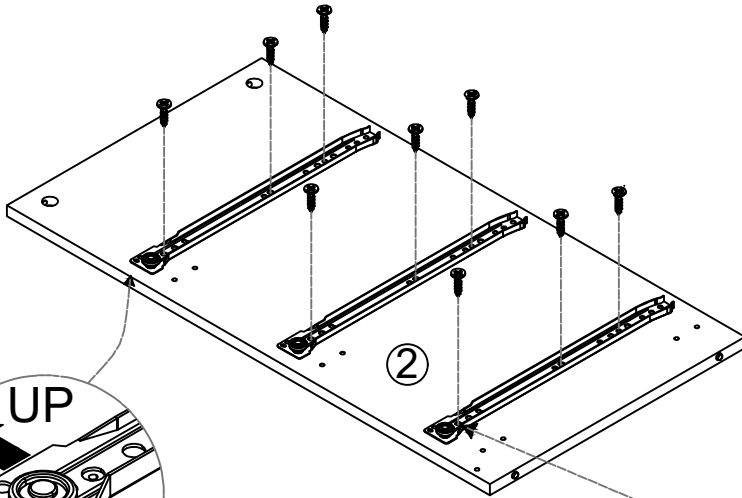
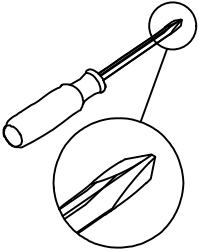


# STEP 1


(E)	X18
	
Ø3.5x12	

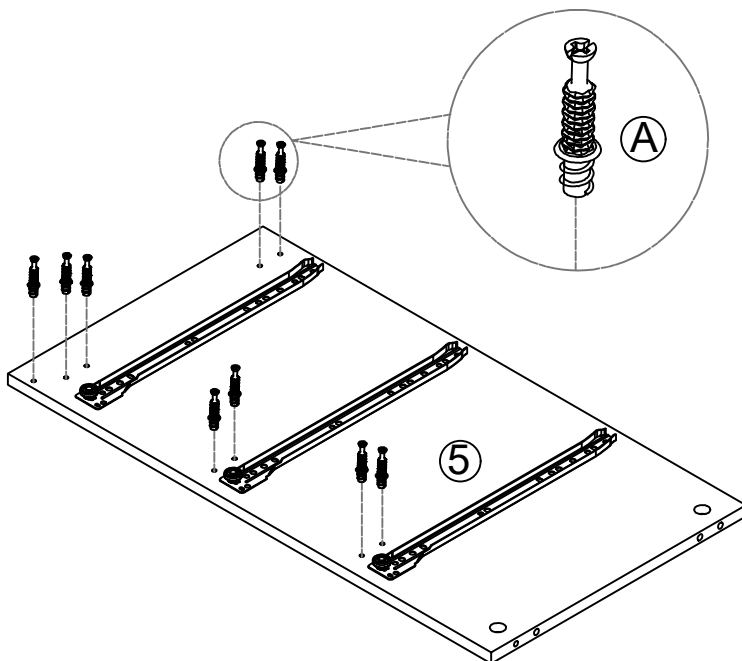
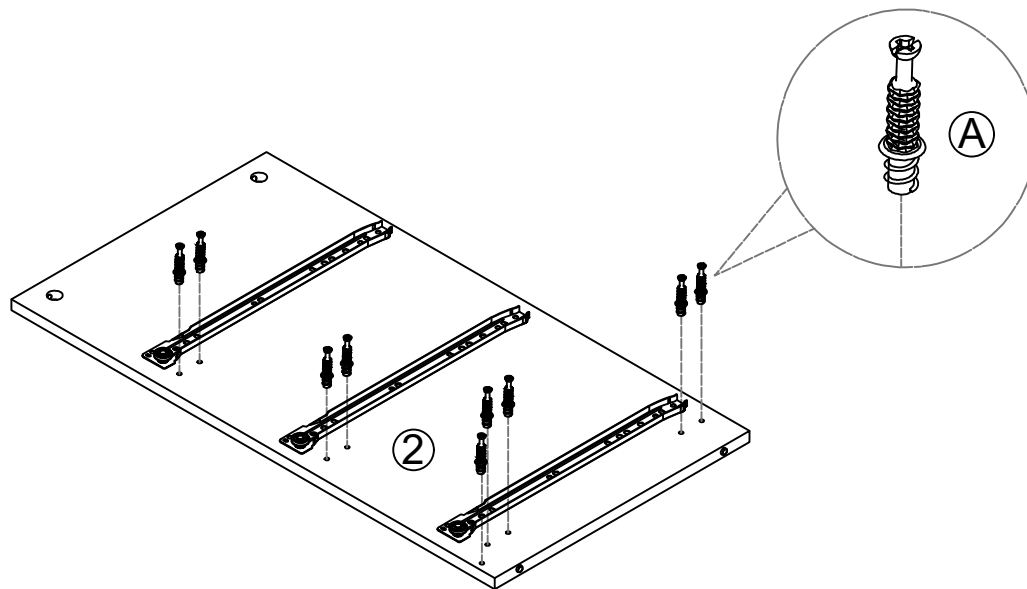
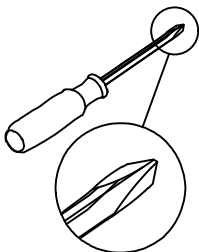
(L)	X3
	
CL L=350	

(L)	X3
	
CR L=350	




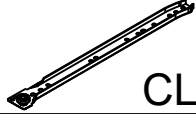
# STEP 2

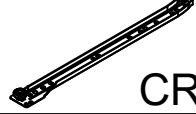
(A)	X18
	
Ø6x34	

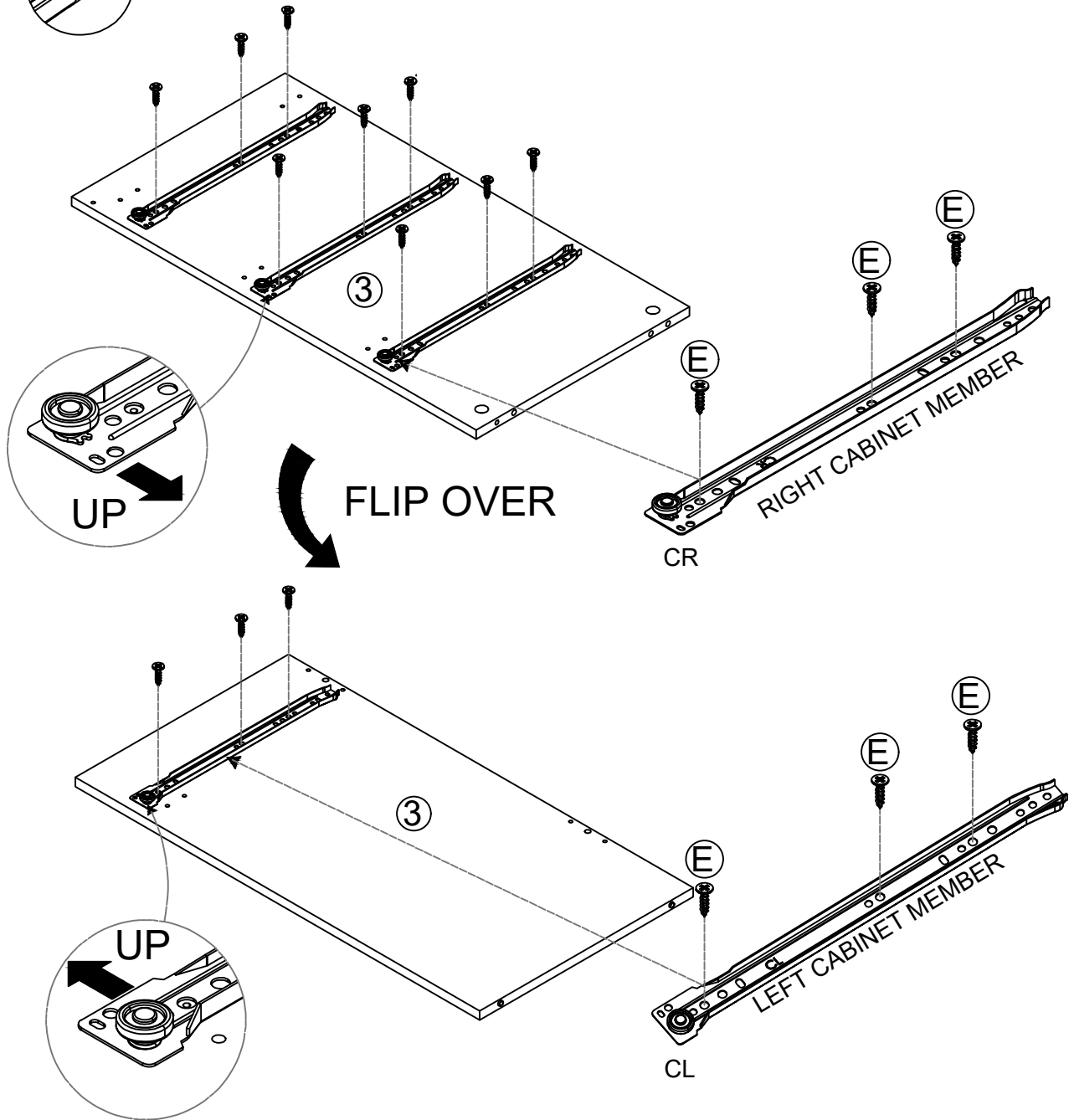
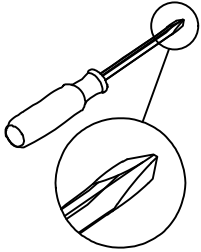


# STEP 3


(E)	X12
	
Ø3.5x12	

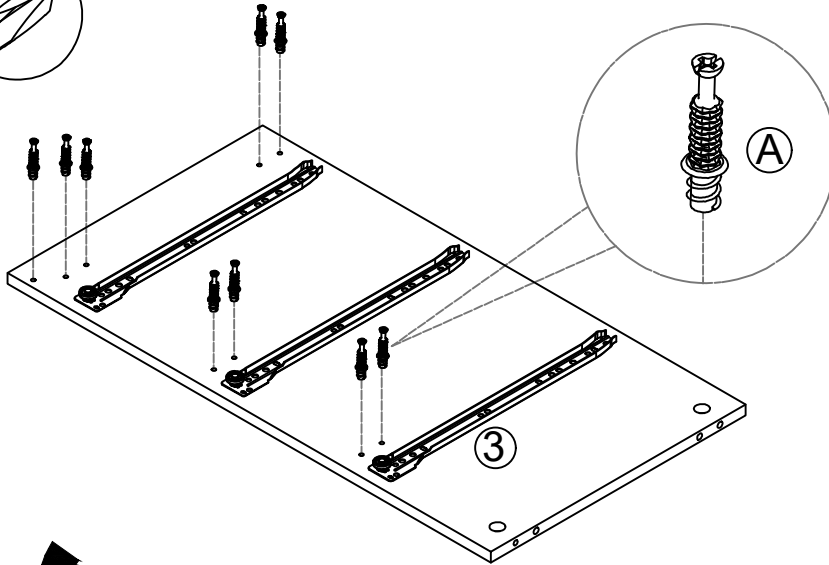
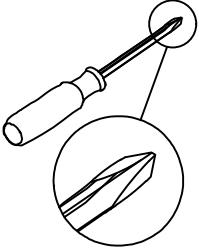
(L)	X1
	
CL L=350	

(L)	X3
	
CR L=350	

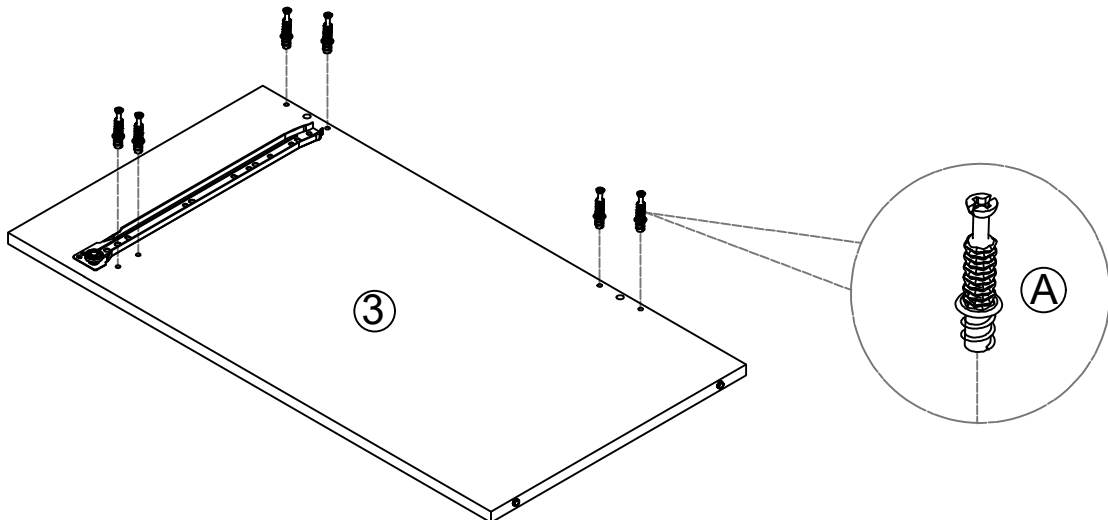


# STEP 4


(A)	X15
	
Ø6x34	

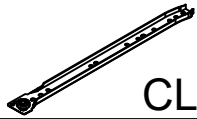


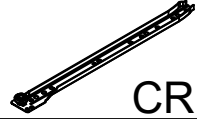
FLIP OVER

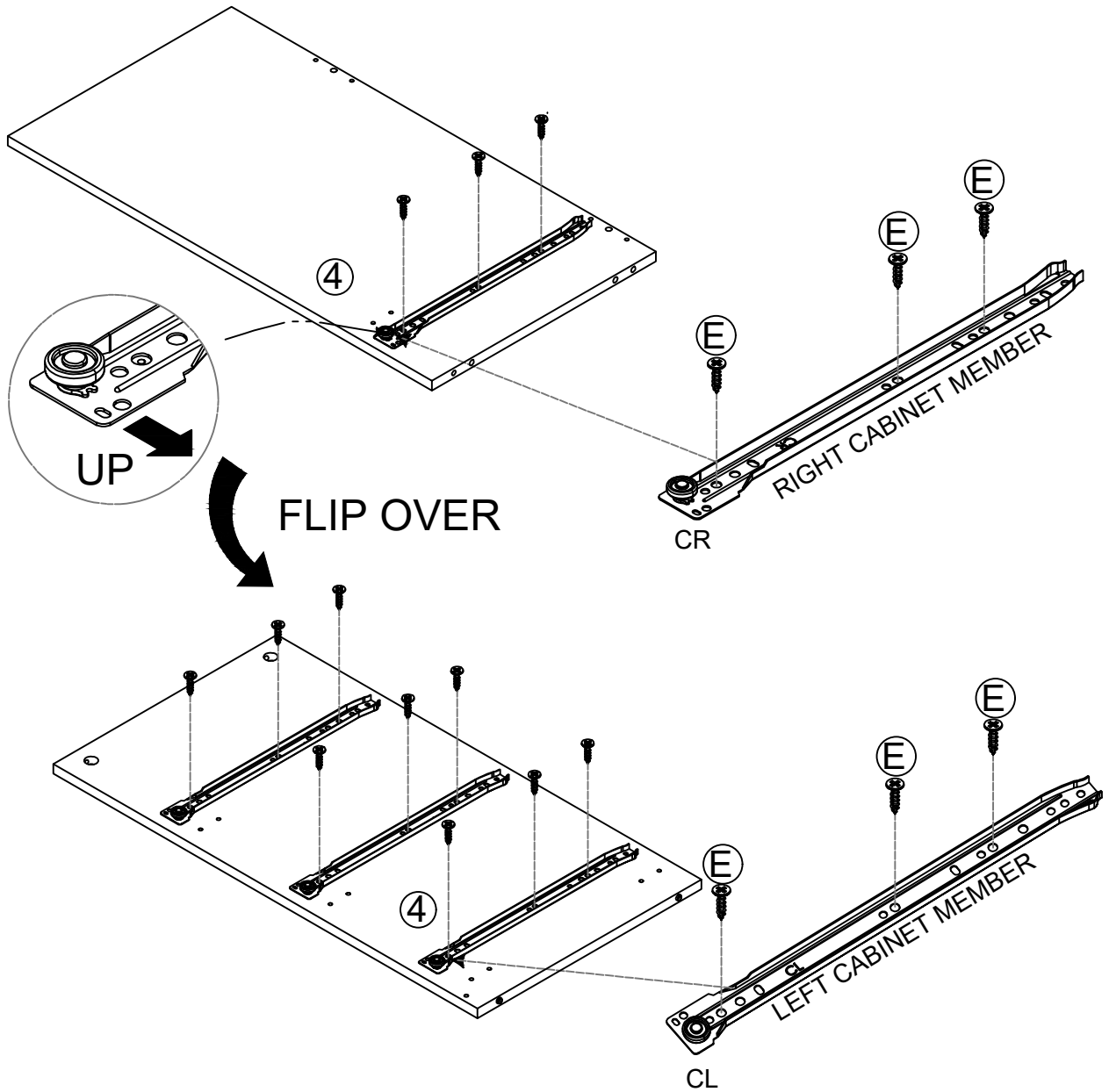
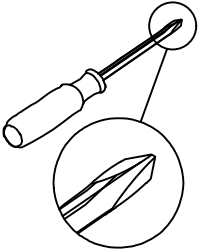


# STEP 5

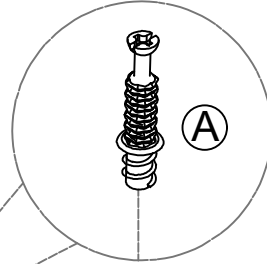
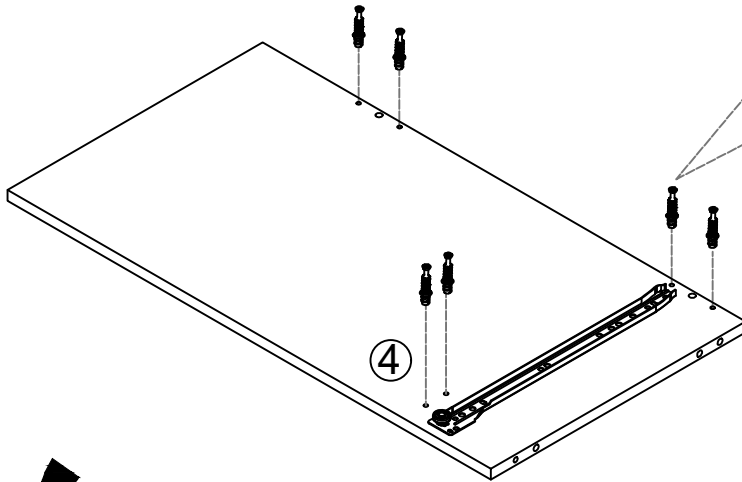
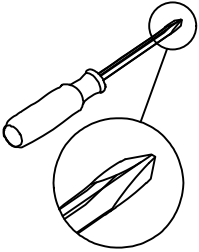
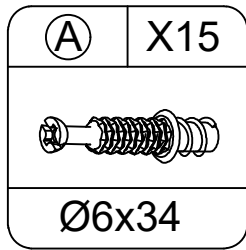
(E)	X12
	
Ø3.5x12	

(L)	X3
	
CL L=350	

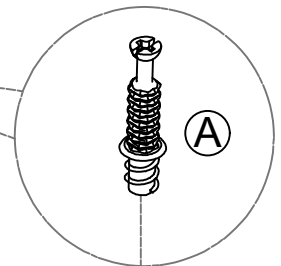
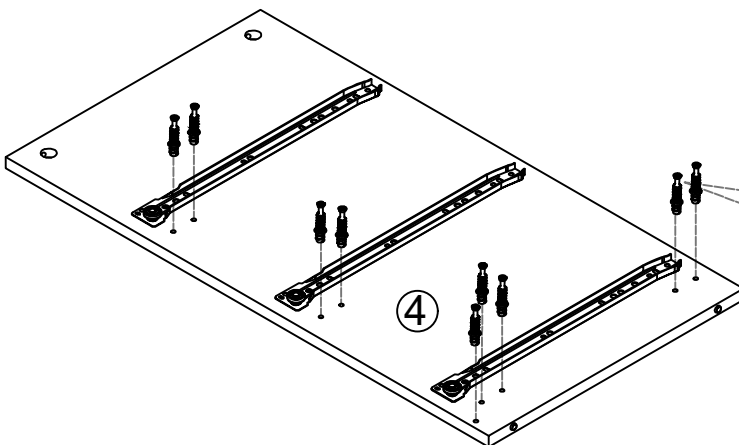
(L)	X1
	
CR L=350	



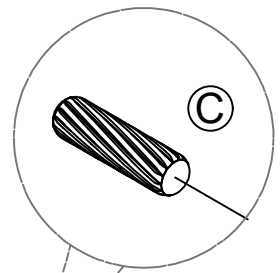
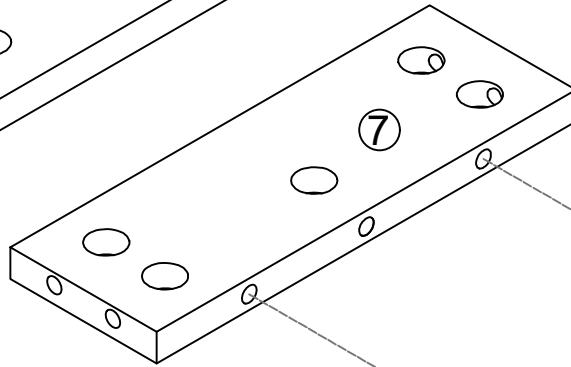
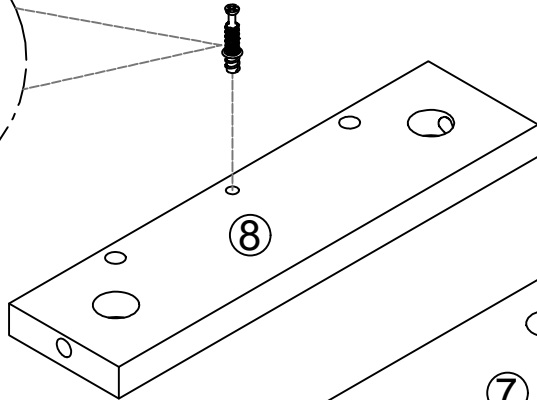
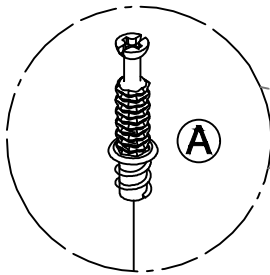
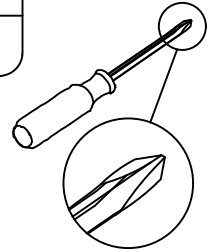
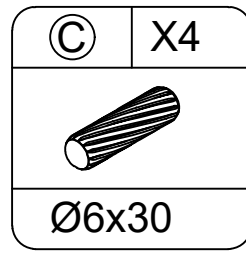
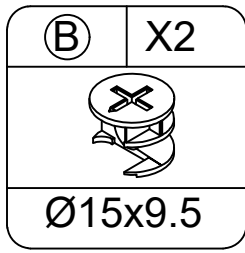
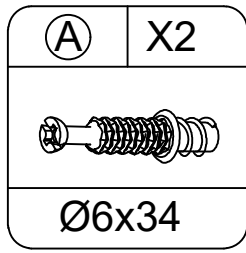
# STEP 6



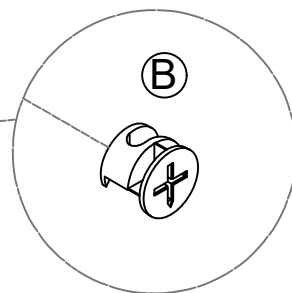
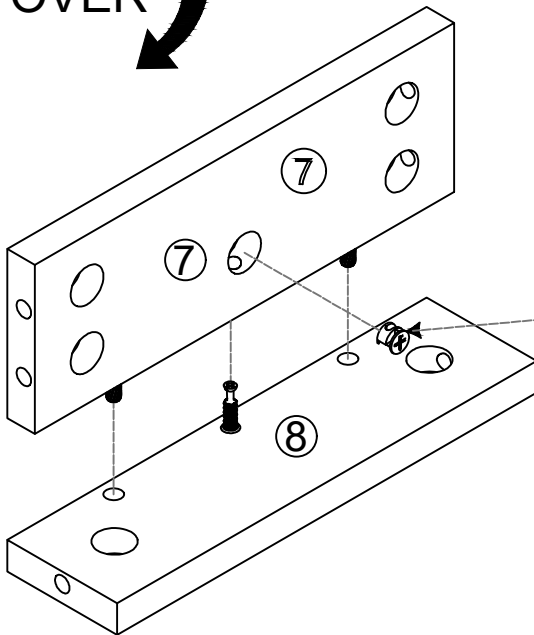
FLIP OVER



# STEP 7




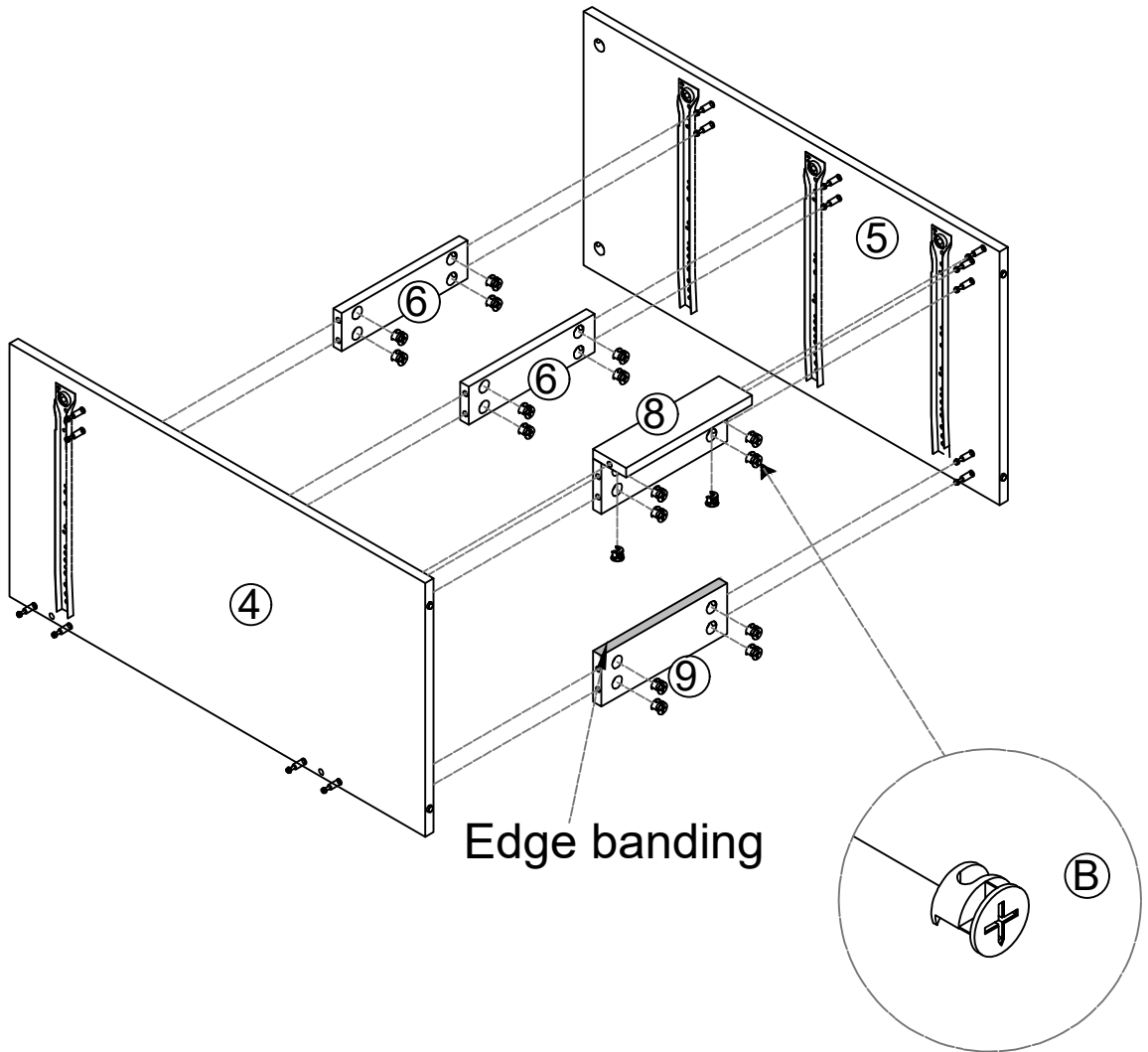
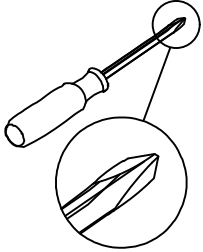
FLIP OVER




X2

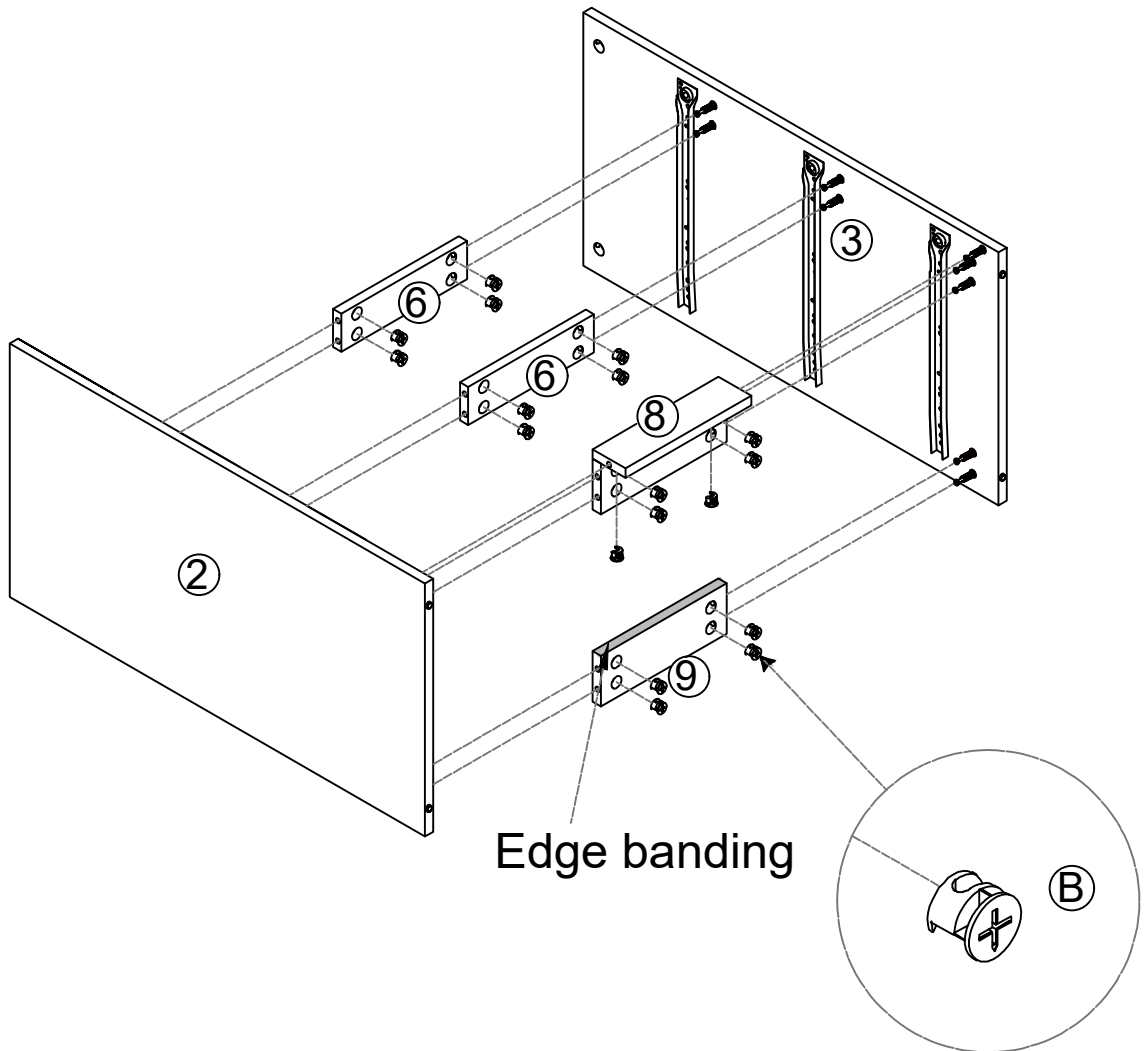
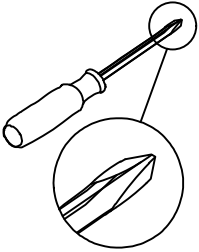
# STEP 8

(B)	X18
	
Ø15x9.5	

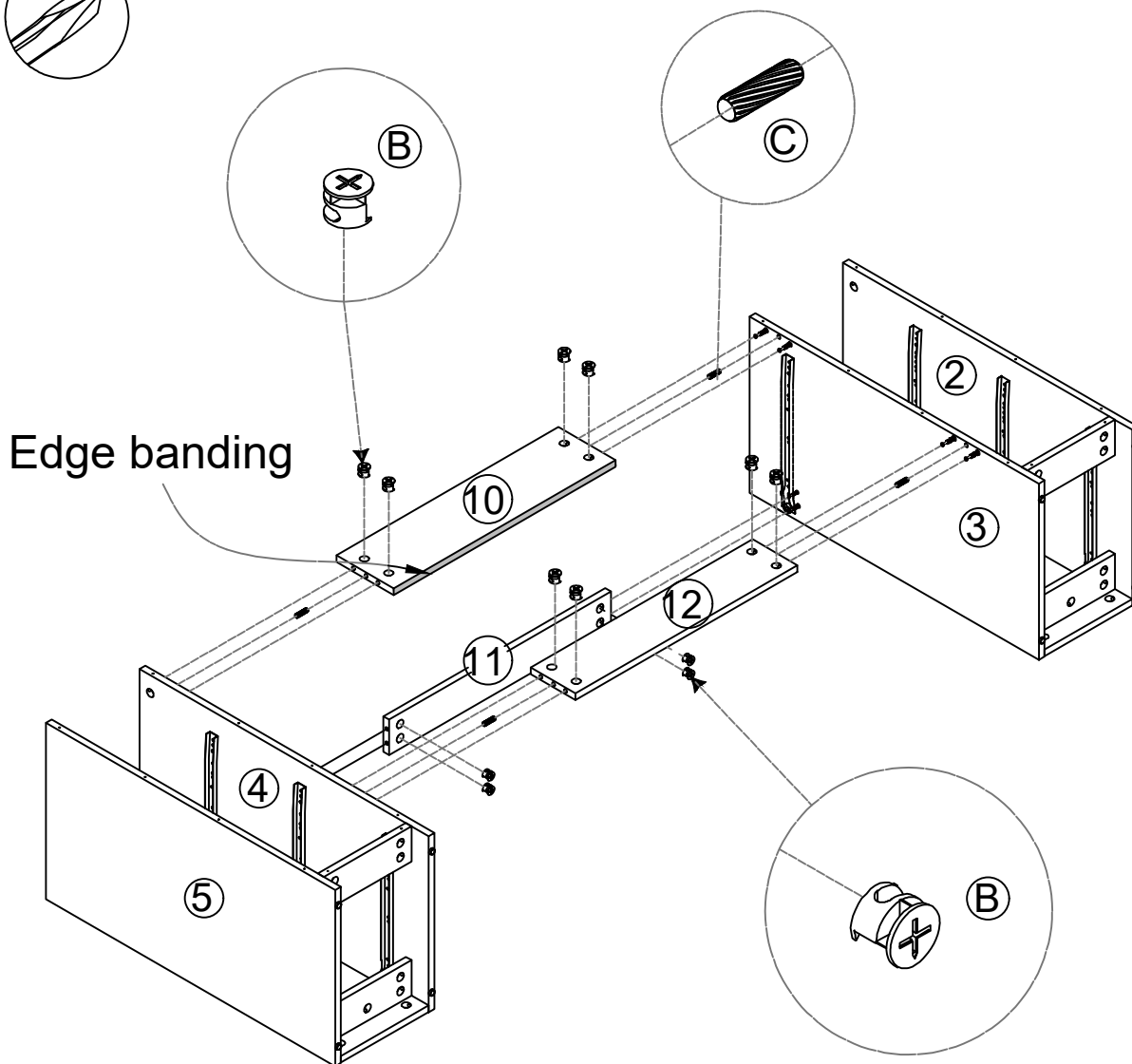
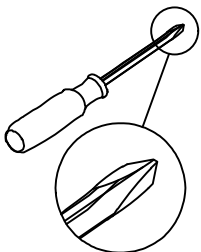
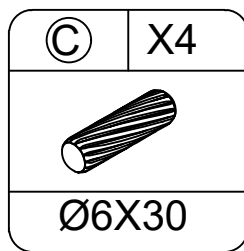
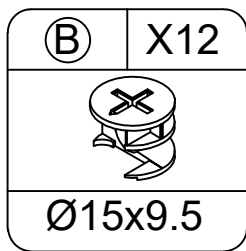


# STEP 9


(B)	X18
	
Ø15x9.5	





# STEP 10

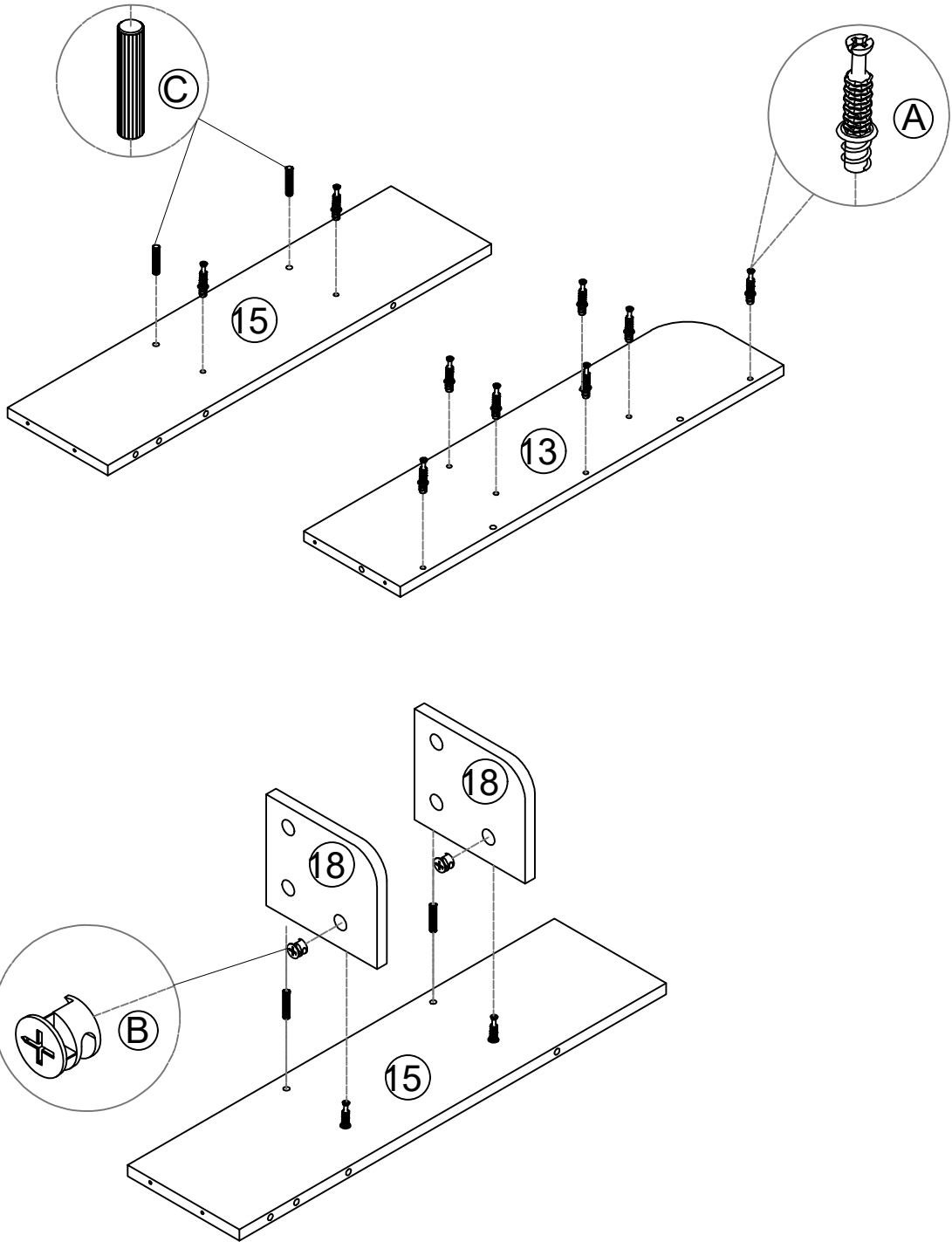
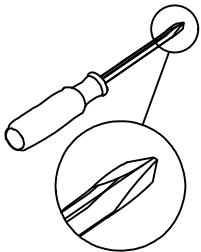


# STEP 11

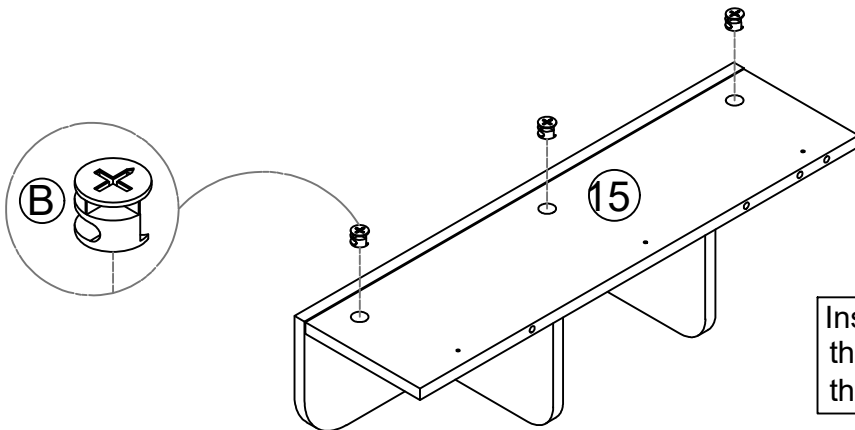
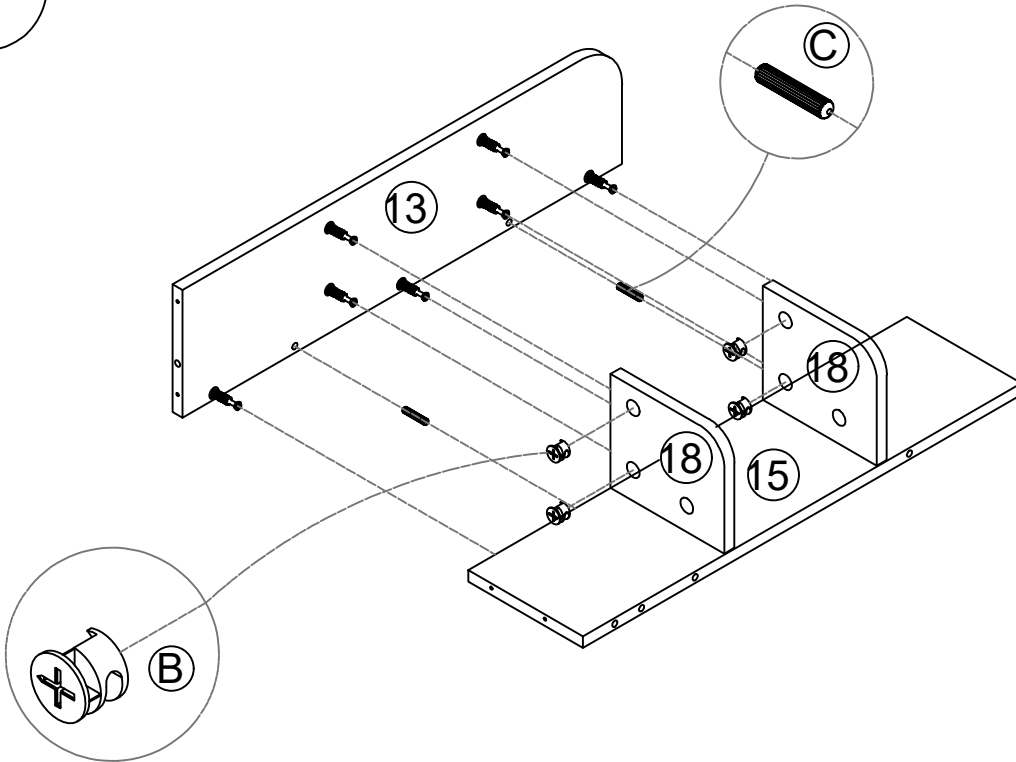
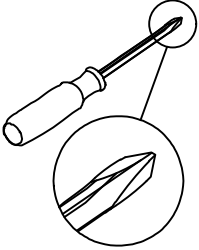
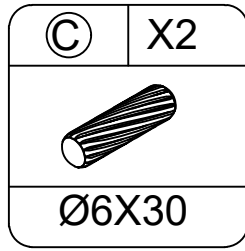
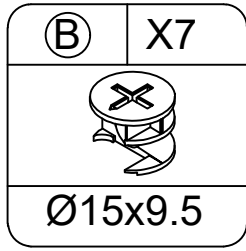
(A)	X9
	
Ø6x34	

(B)	X2
	
Ø15x9.5	

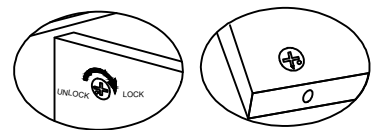
(C)	X2
	
Ø6X30	



# STEP 12





Insert the cam bolt into the hole first, then insert the cam lock and lock it.




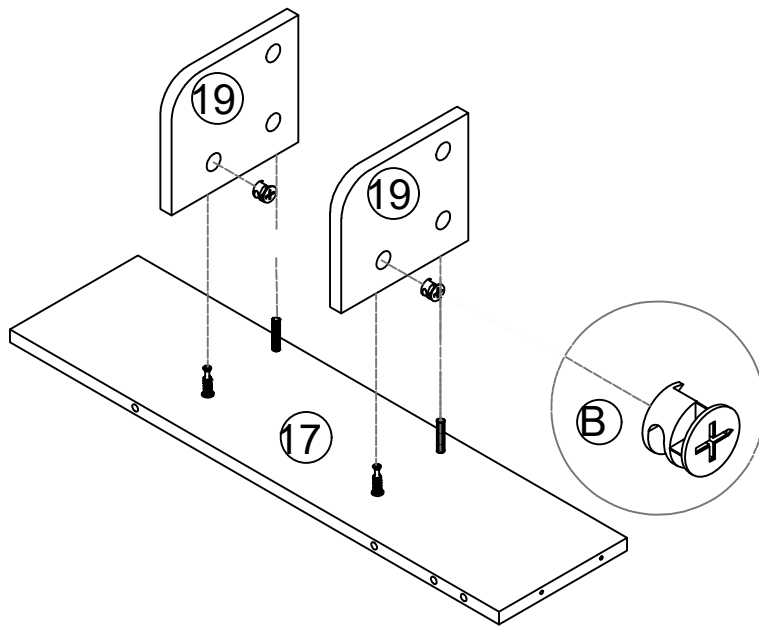
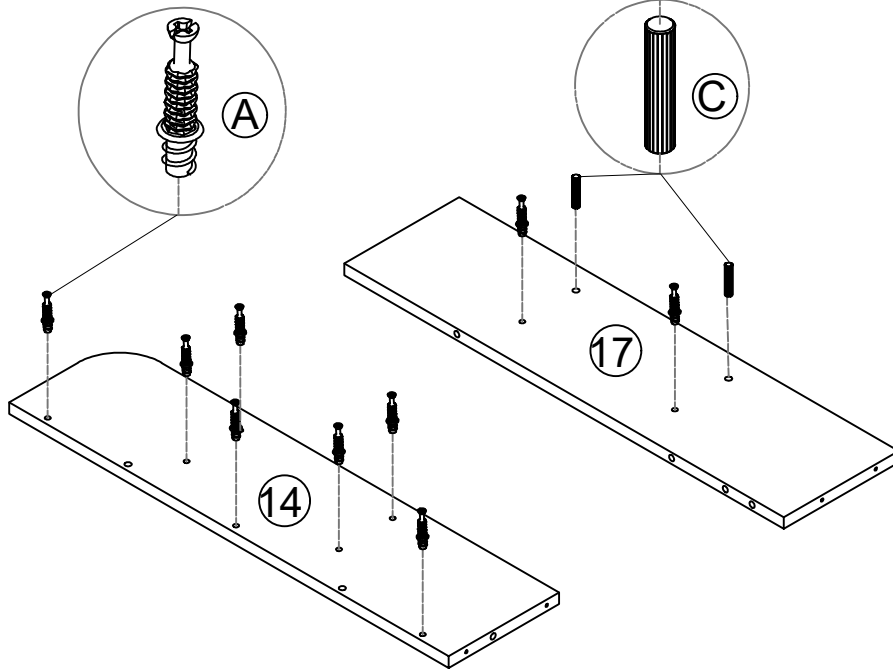
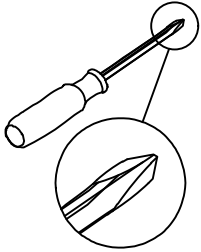
Proper orientation of CAM LOCK

# STEP 13

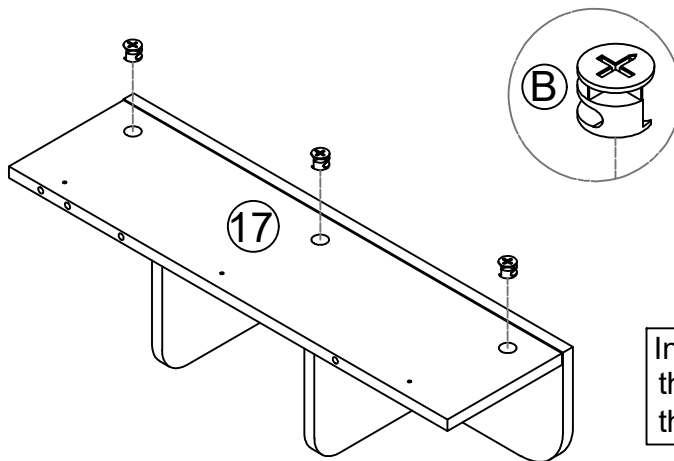
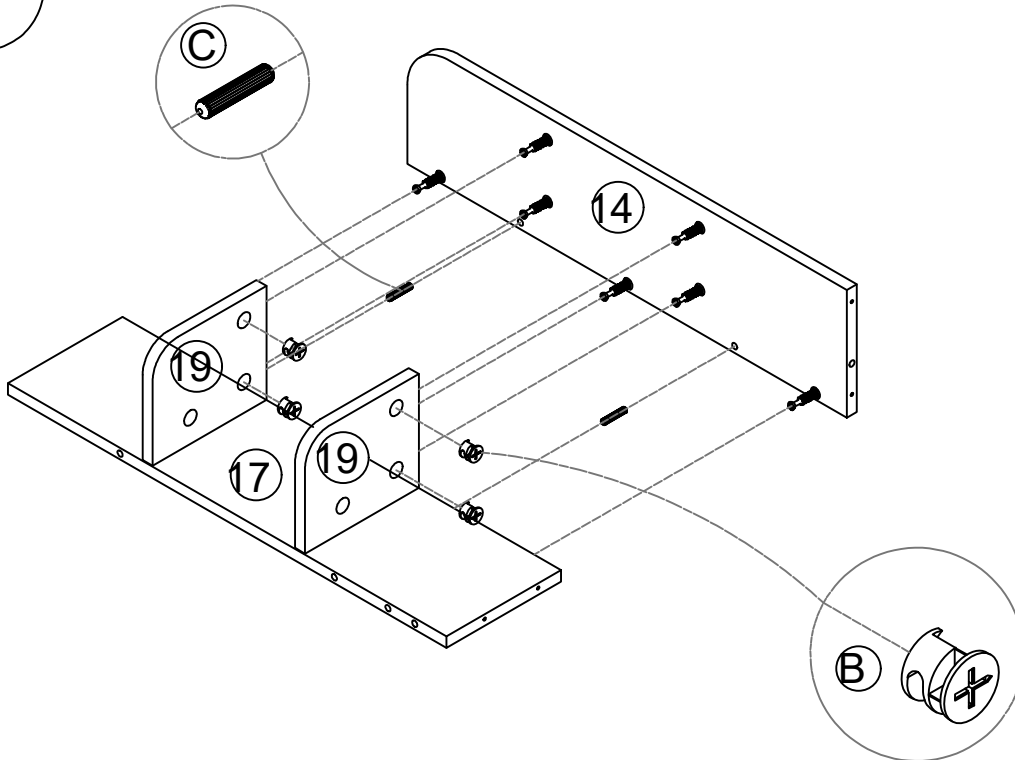
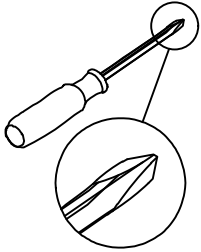
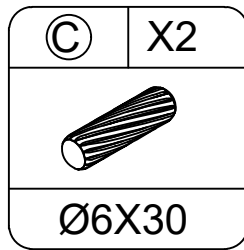
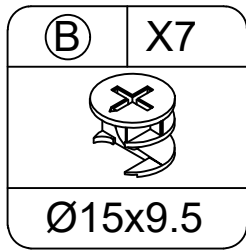
(A)	X9
	
Ø6x34	

(B)	X2
	
Ø15x9.5	

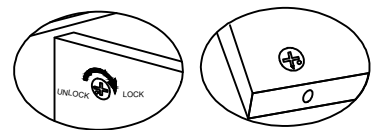
(C)	X2
	
Ø6X30	



# STEP 14

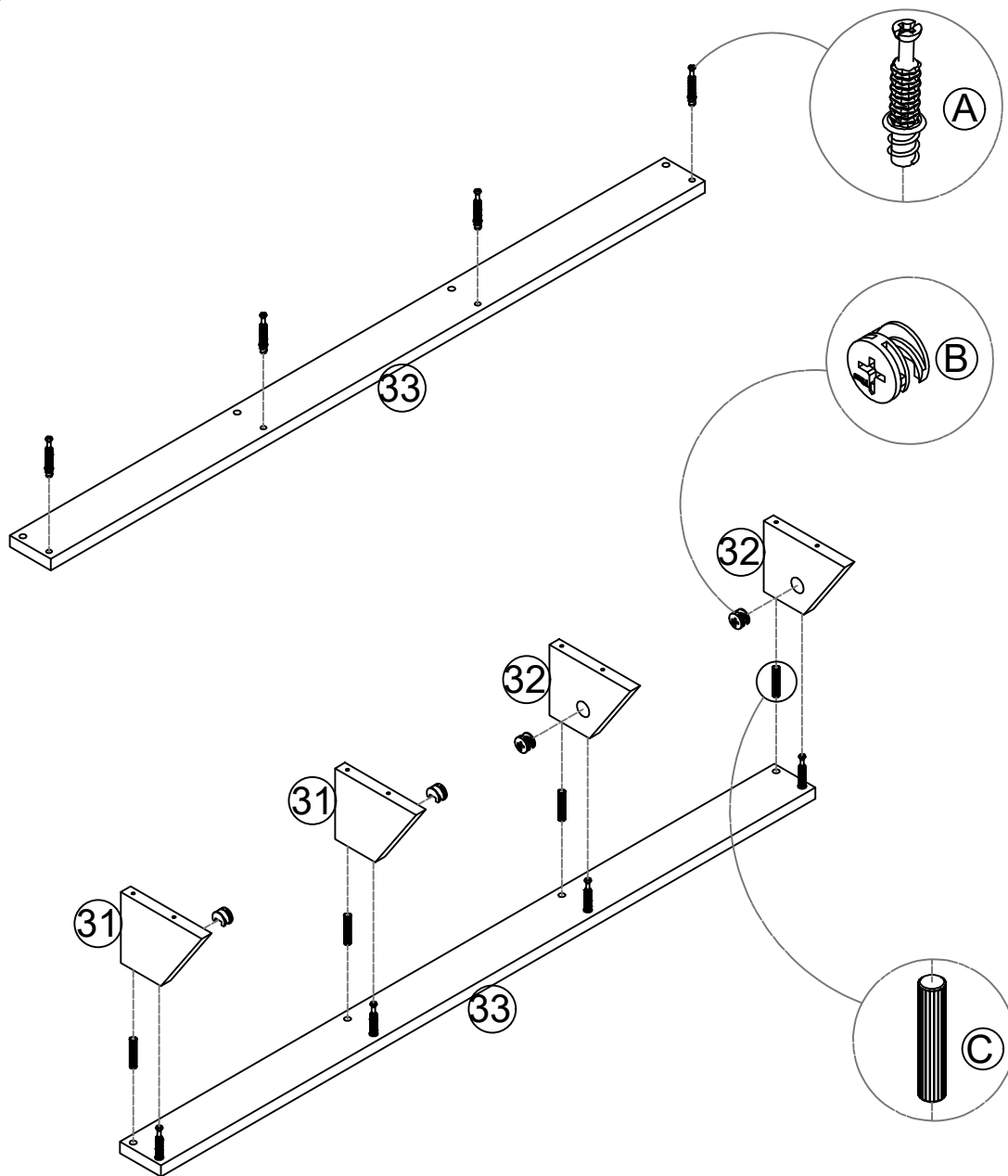
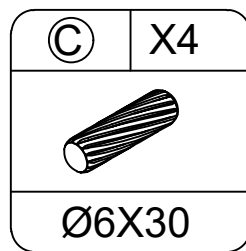
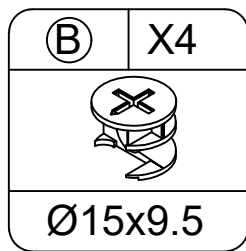
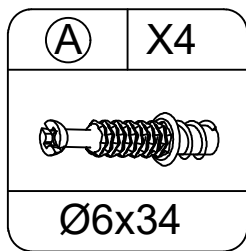
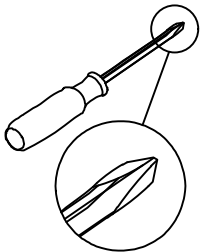


Insert the cam bolt into the hole first, then insert the cam lock and lock it.





Proper orientation of CAM LOCK

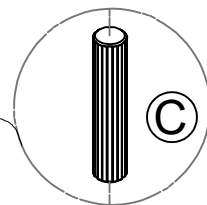
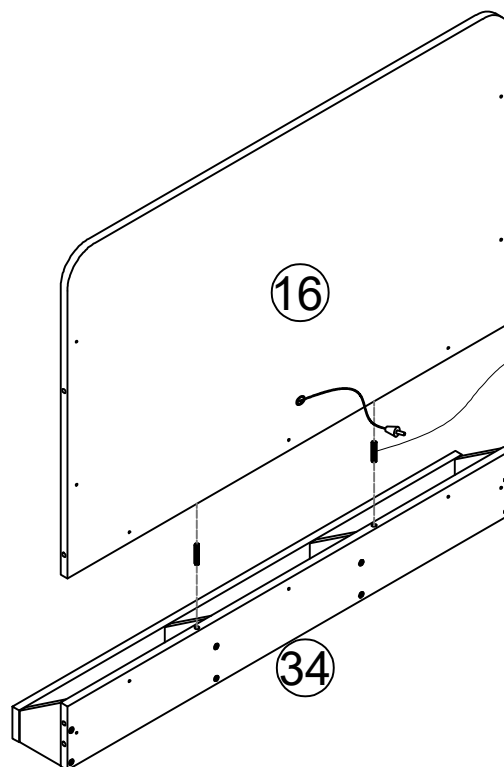
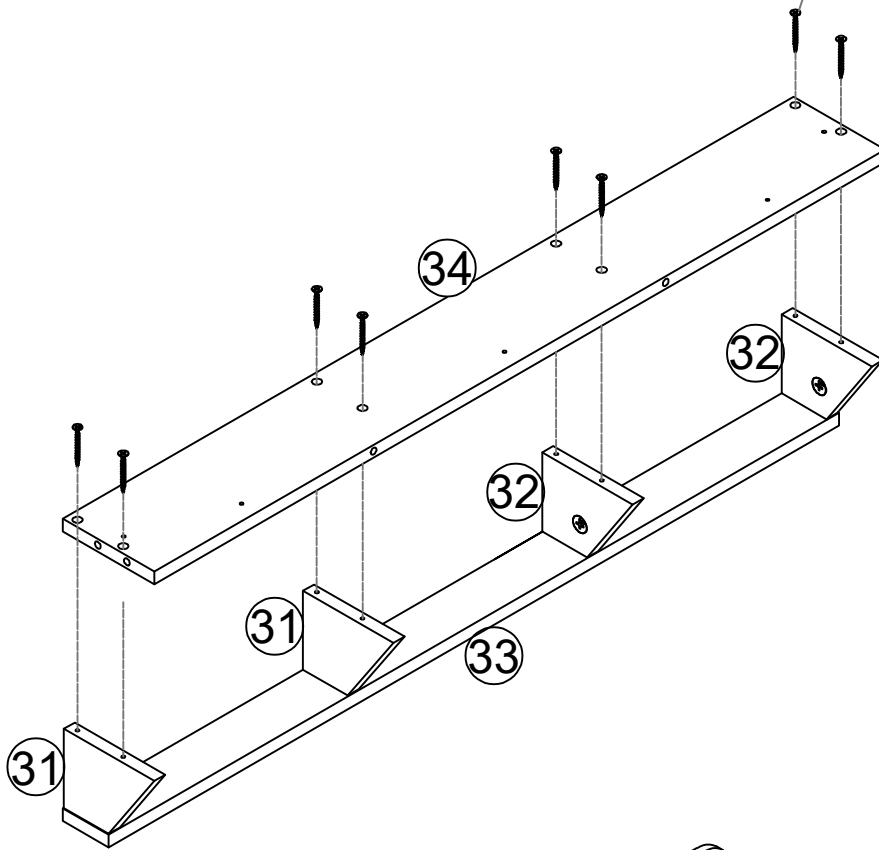
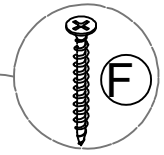
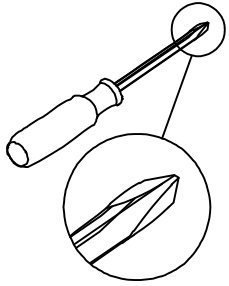
# STEP 15



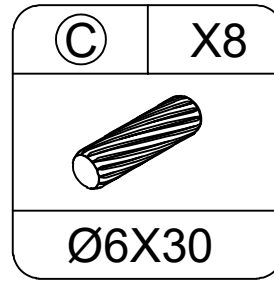
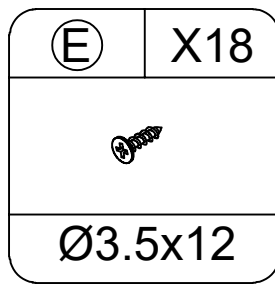
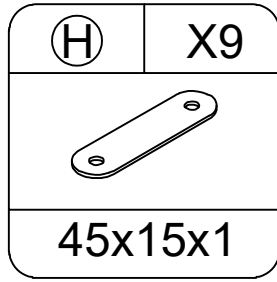
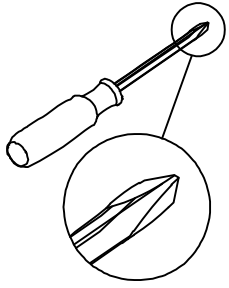
# STEP 16

(F)	X8
	
Ø4x35	

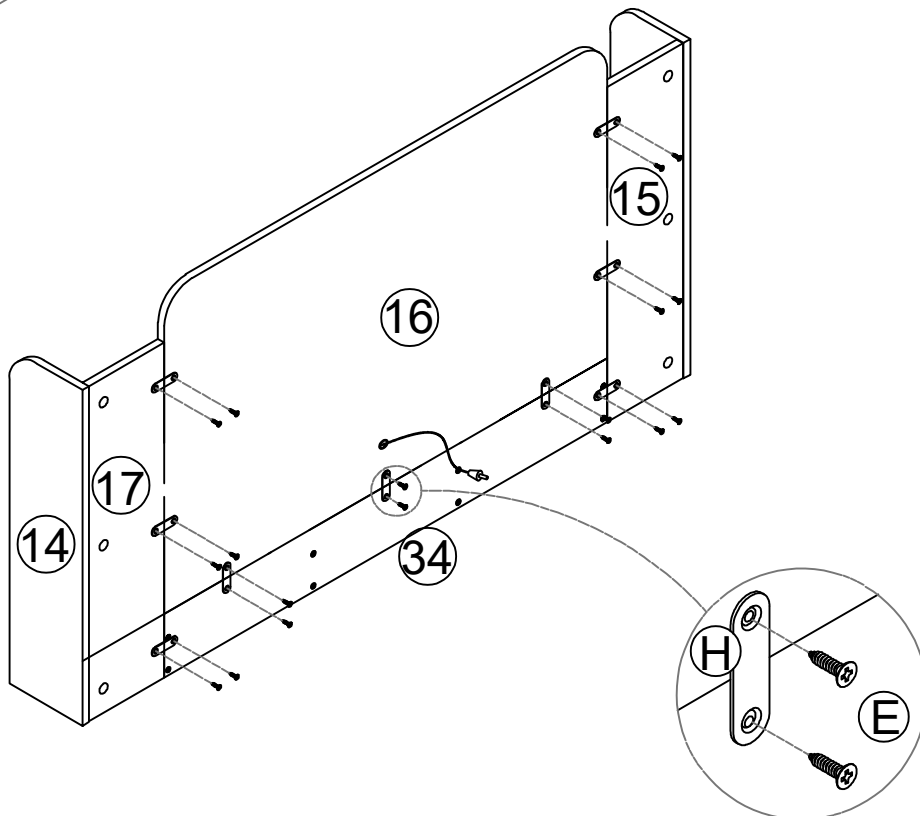
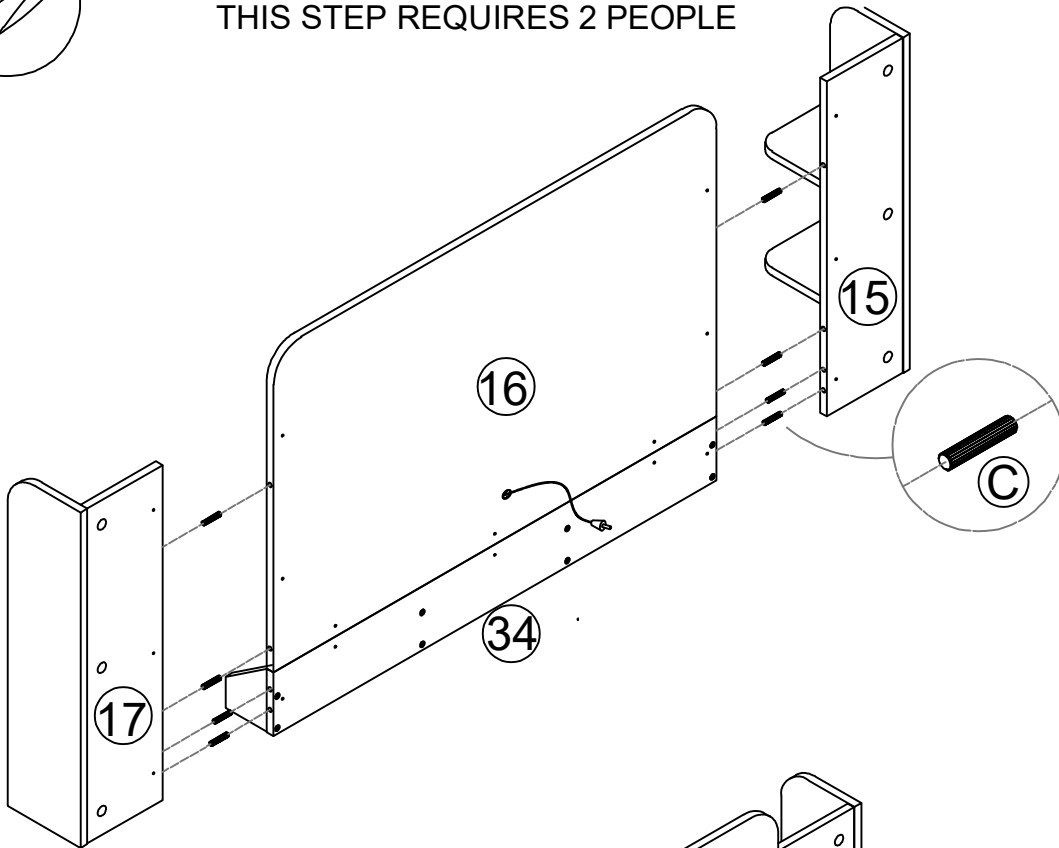
(C)	X2
	
Ø6X30	



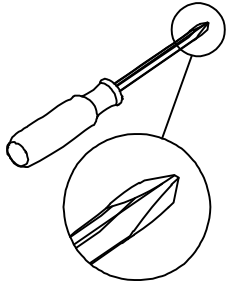
# STEP 17





THIS STEP REQUIRES 2 PEOPLE




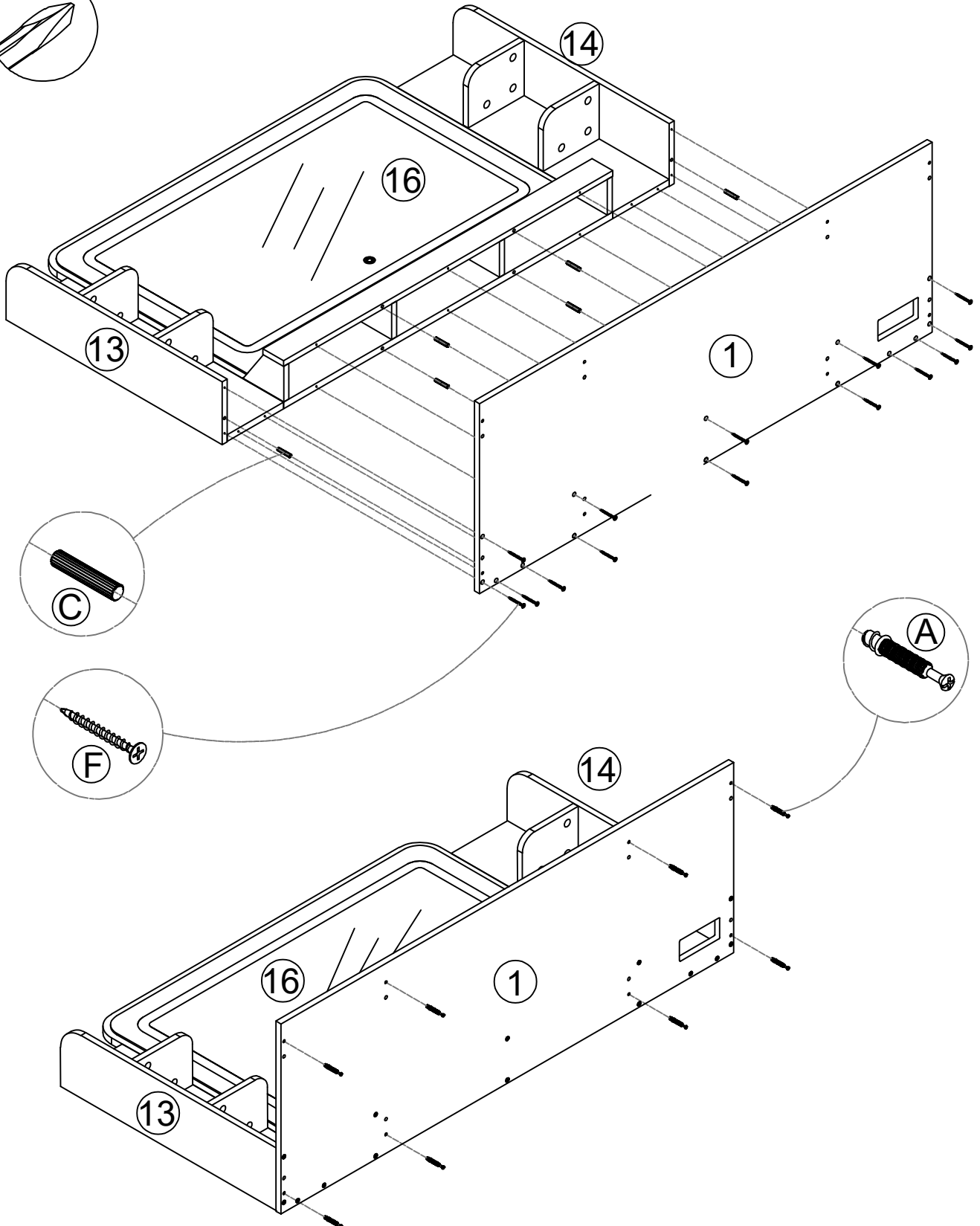
# STEP 18



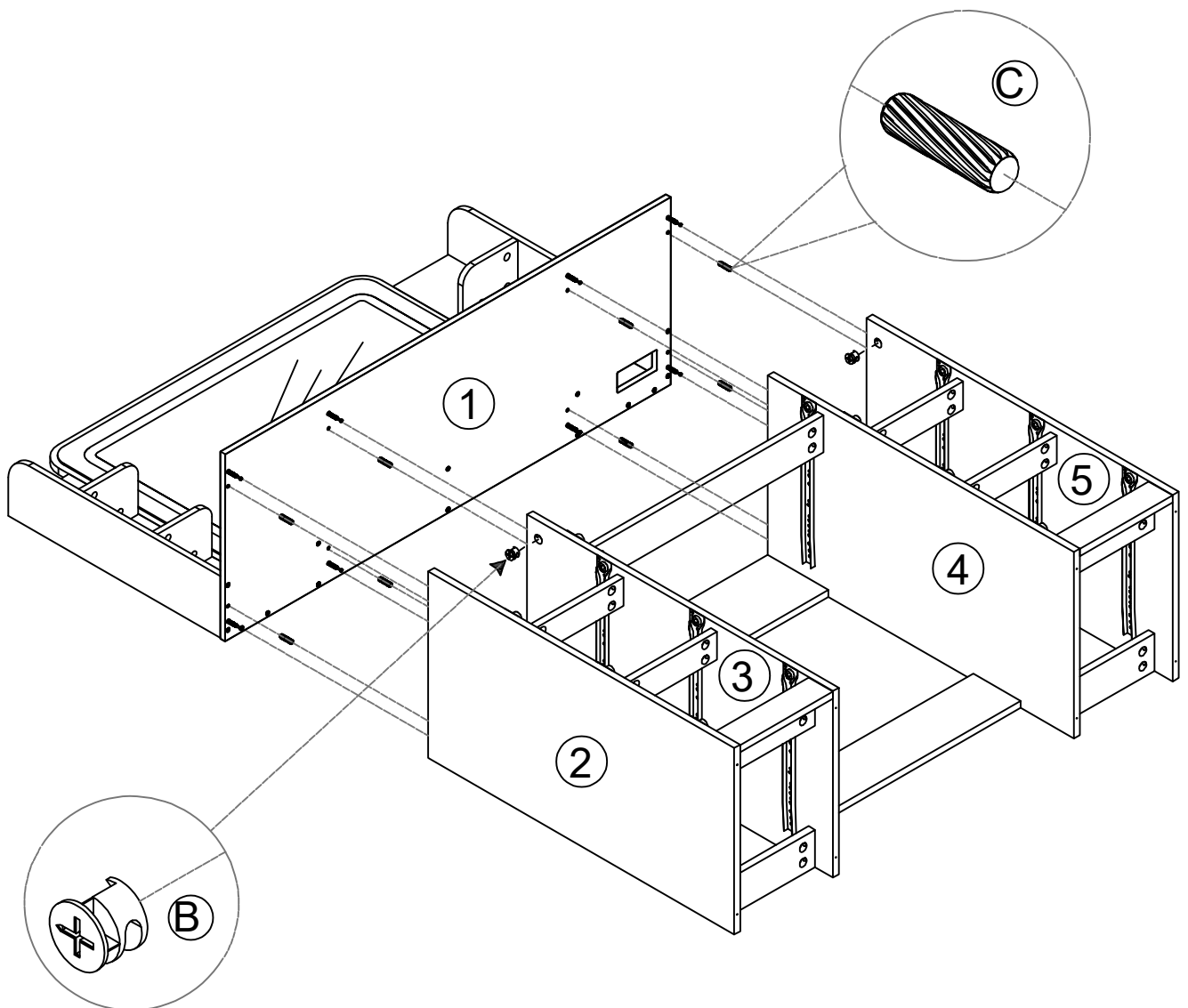
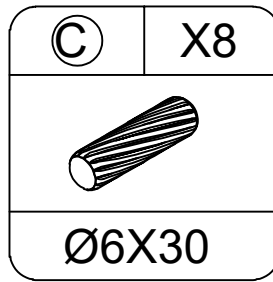
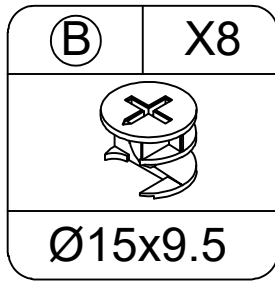
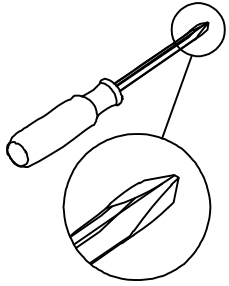
(F)	X14
	
Ø4x35	

(C)	X6
	
Ø6X30	




(A)	X8
	
Ø6x34	

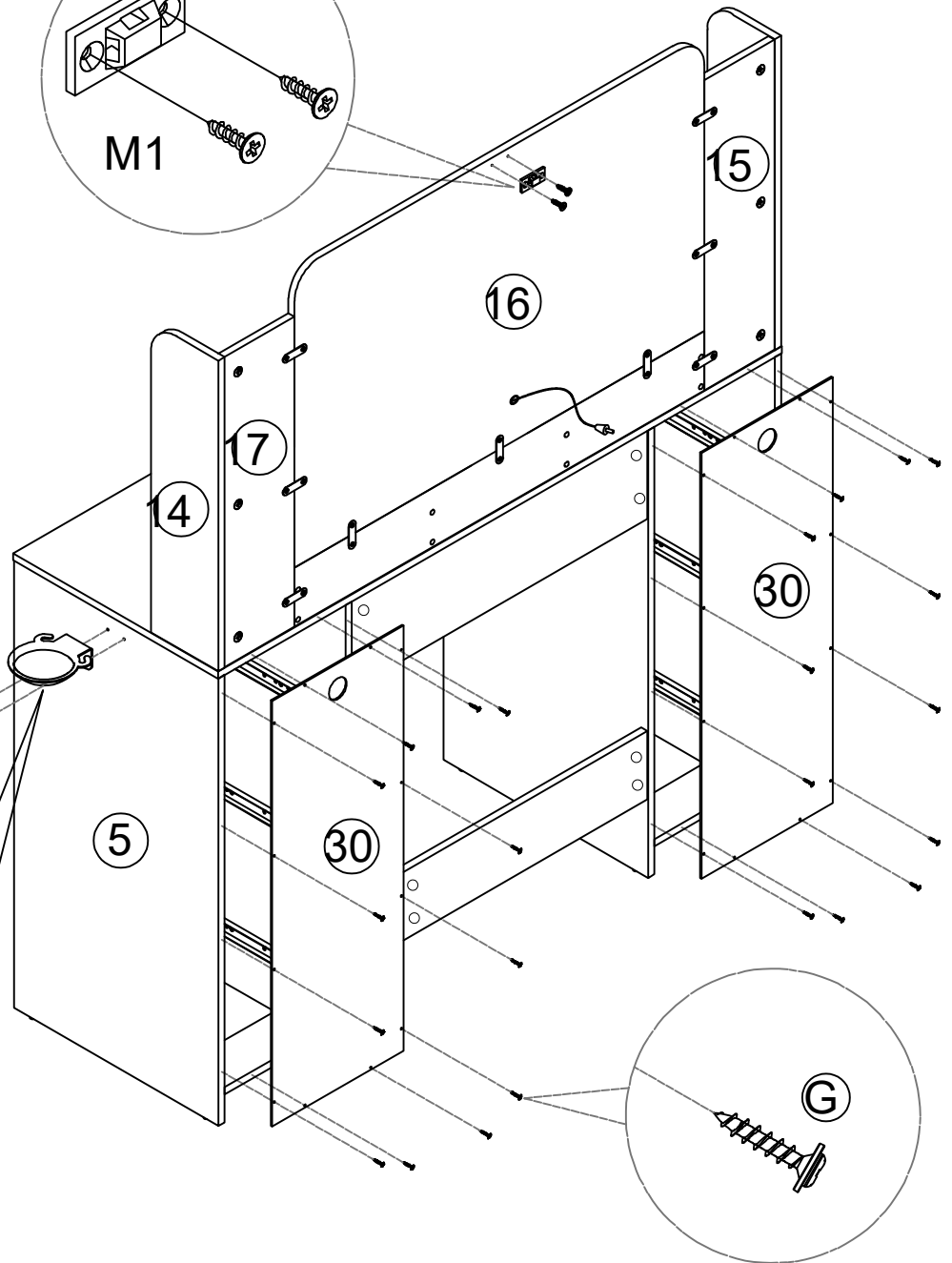
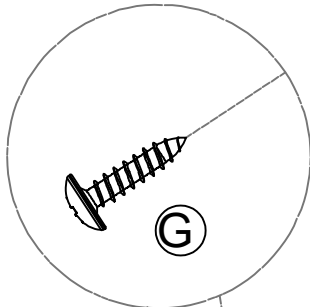
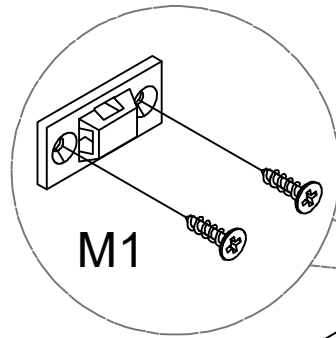
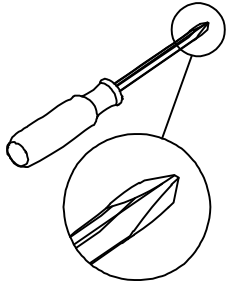


# STEP 19




# STEP20


ⓐ	X26	Ⓚ	X1	M1	X1set
					
Ø3.5x14		Ø3.5x14			




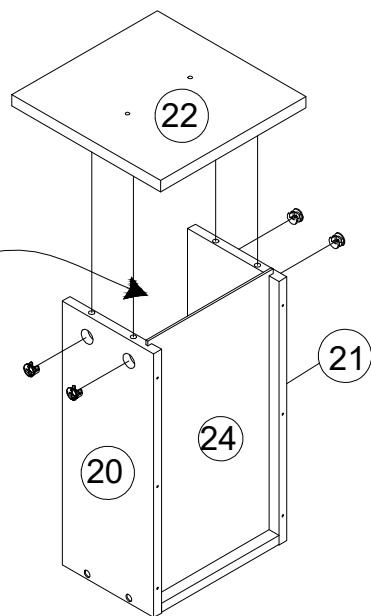
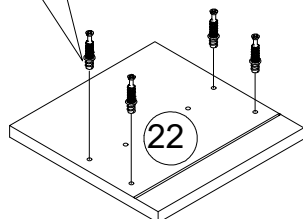
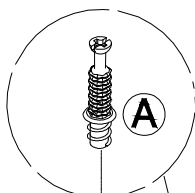
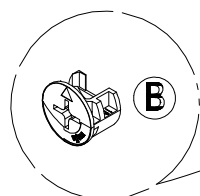
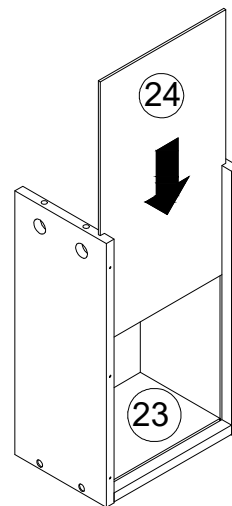
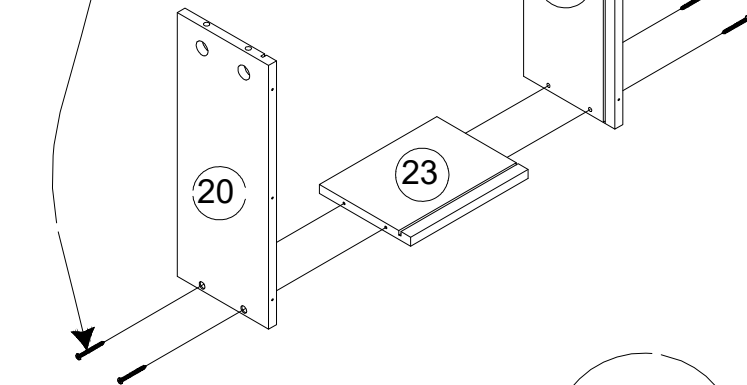
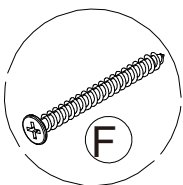
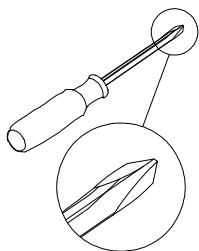
You can install the hair dryer rack(K) on the left or right according to your needs

# STEP 21

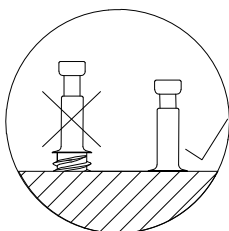
F	X 24
	
Ø4x35	

A	X 24
	
Ø6x34	

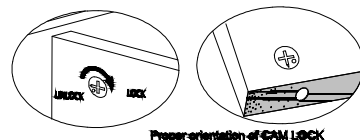
B	X 24
	
Ø15x9.5	



Insert the cam bolt into the hole first, then insert the cam lock and lock it.

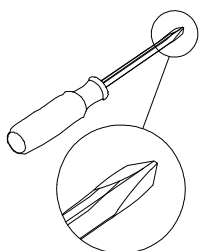



X6

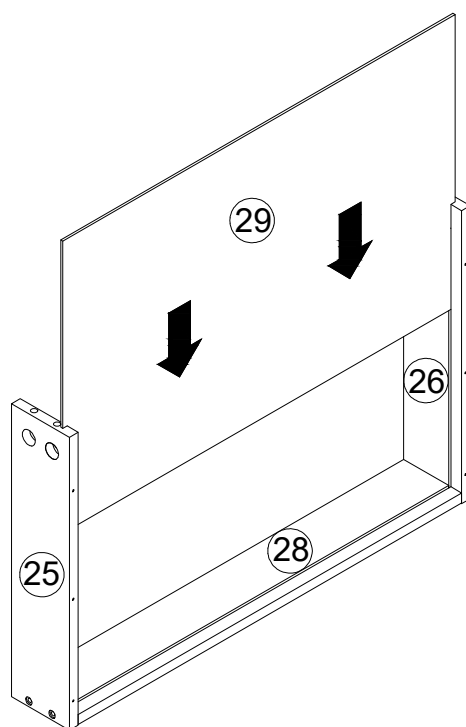
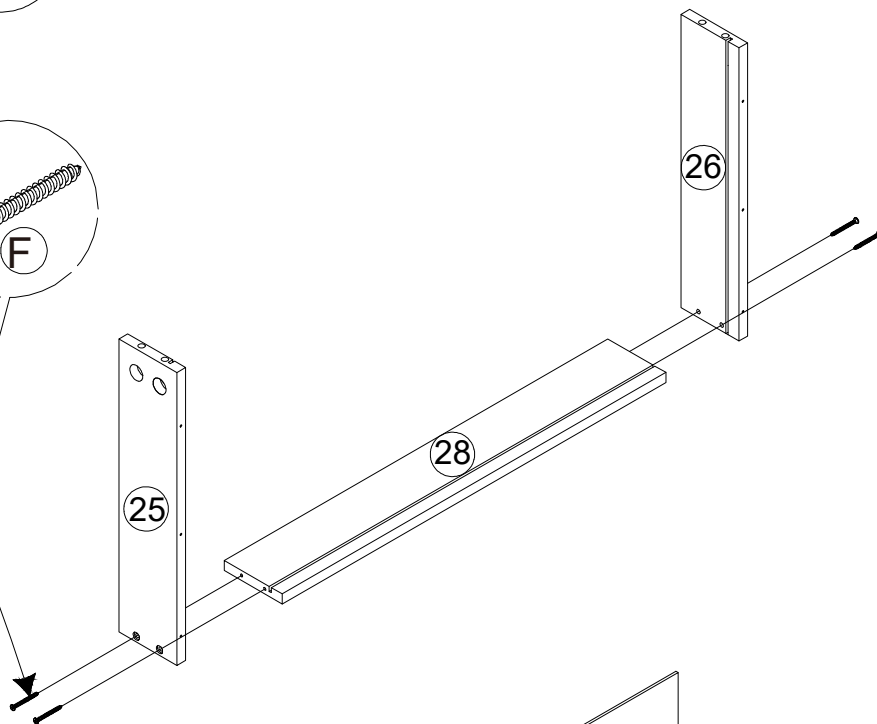
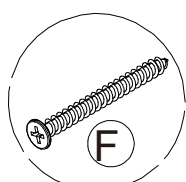


Proper orientation of CAM LOCK


# STEP 22




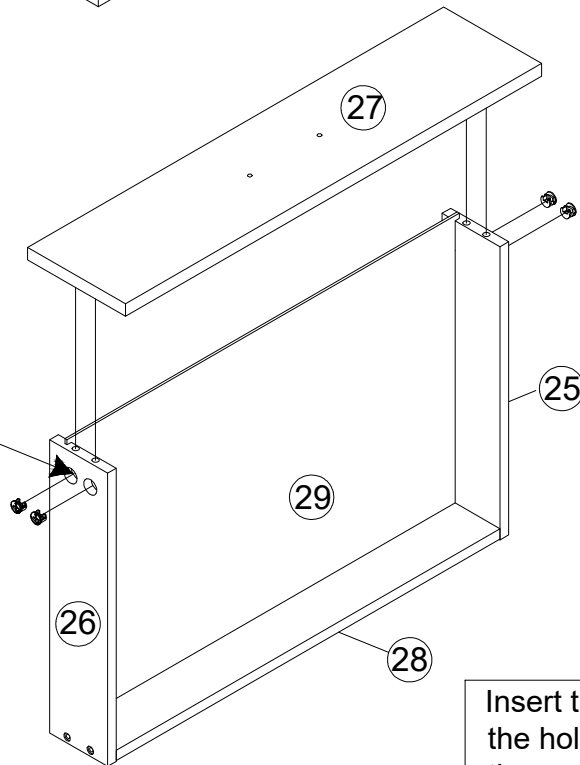
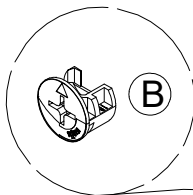
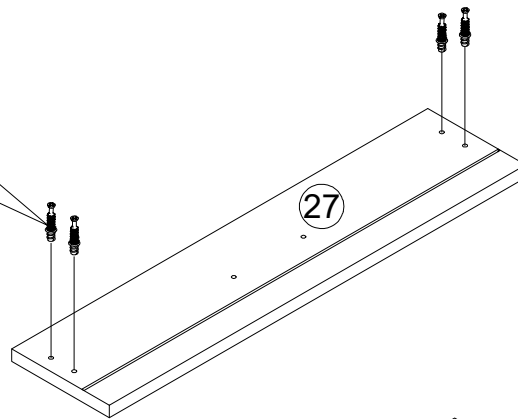
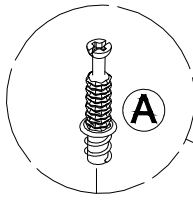
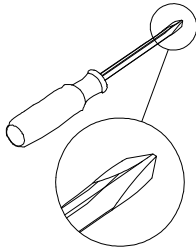
(F)	X4
	
Ø4x35	



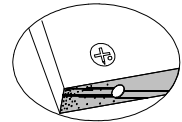
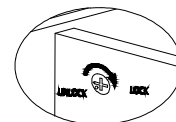
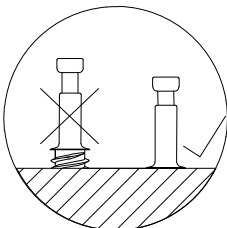
# STEP 23

(A)	X 4
	
Ø6x34	

(B)	X 4
	
Ø15x9.5	

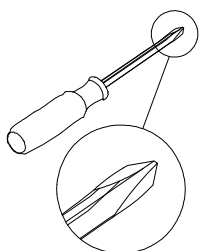



Insert the cam bolt into the hole first, then insert the cam lock and lock it.




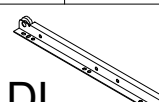
Proper orientation of CAM LOCK

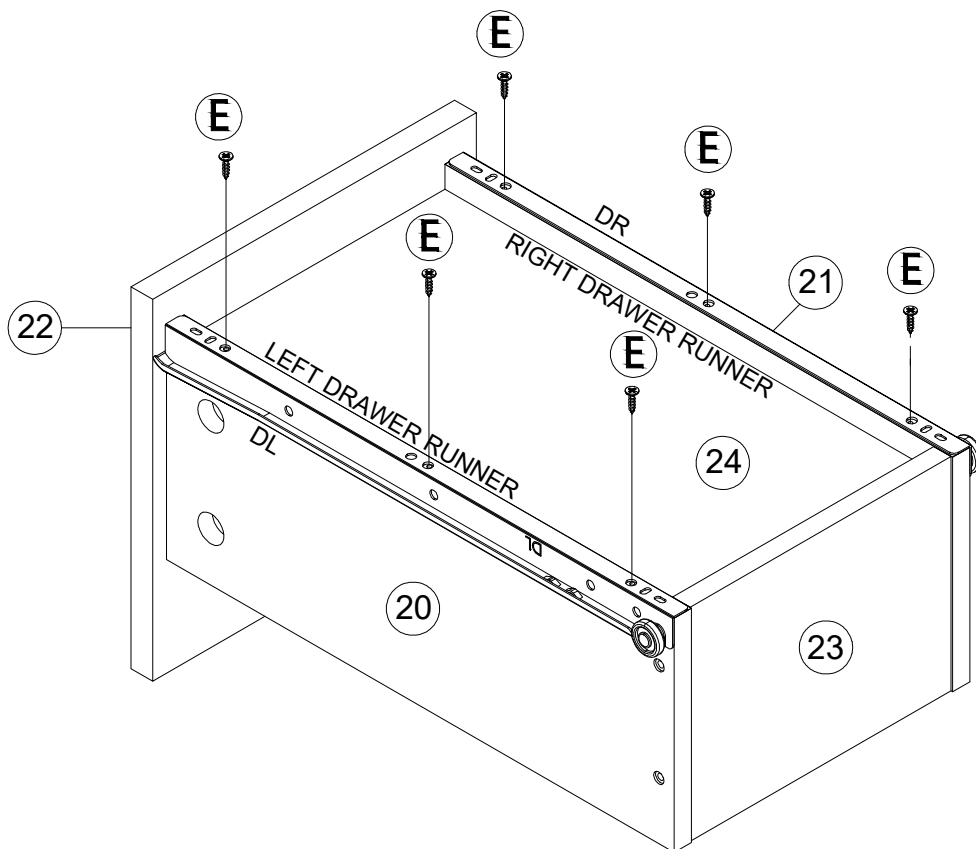
# STEP 24



(E)	X36
	
Ø3.5x12	

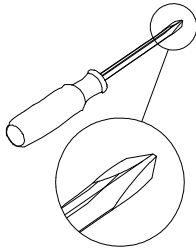
(L)	X6
	
DR	
L=350	


(L)	X6
	
DL	
L=350	




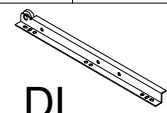
**X6**

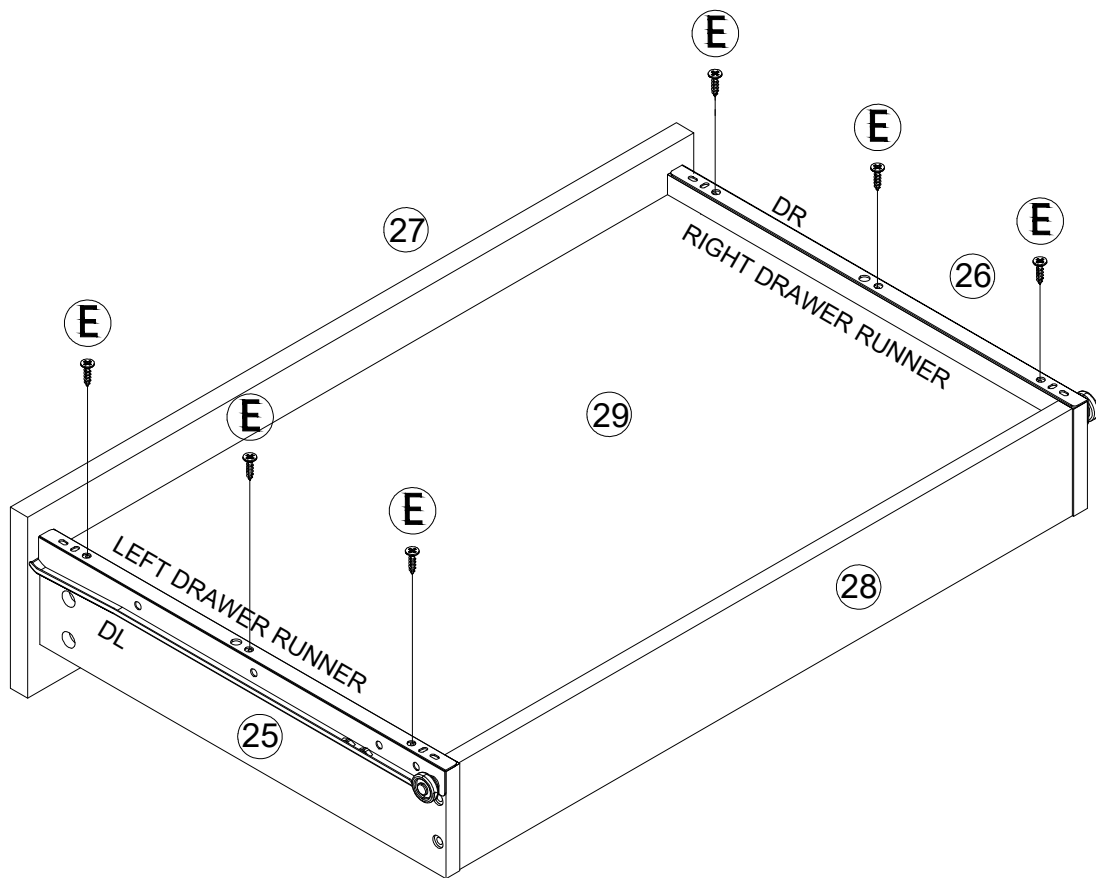
# STEP 25



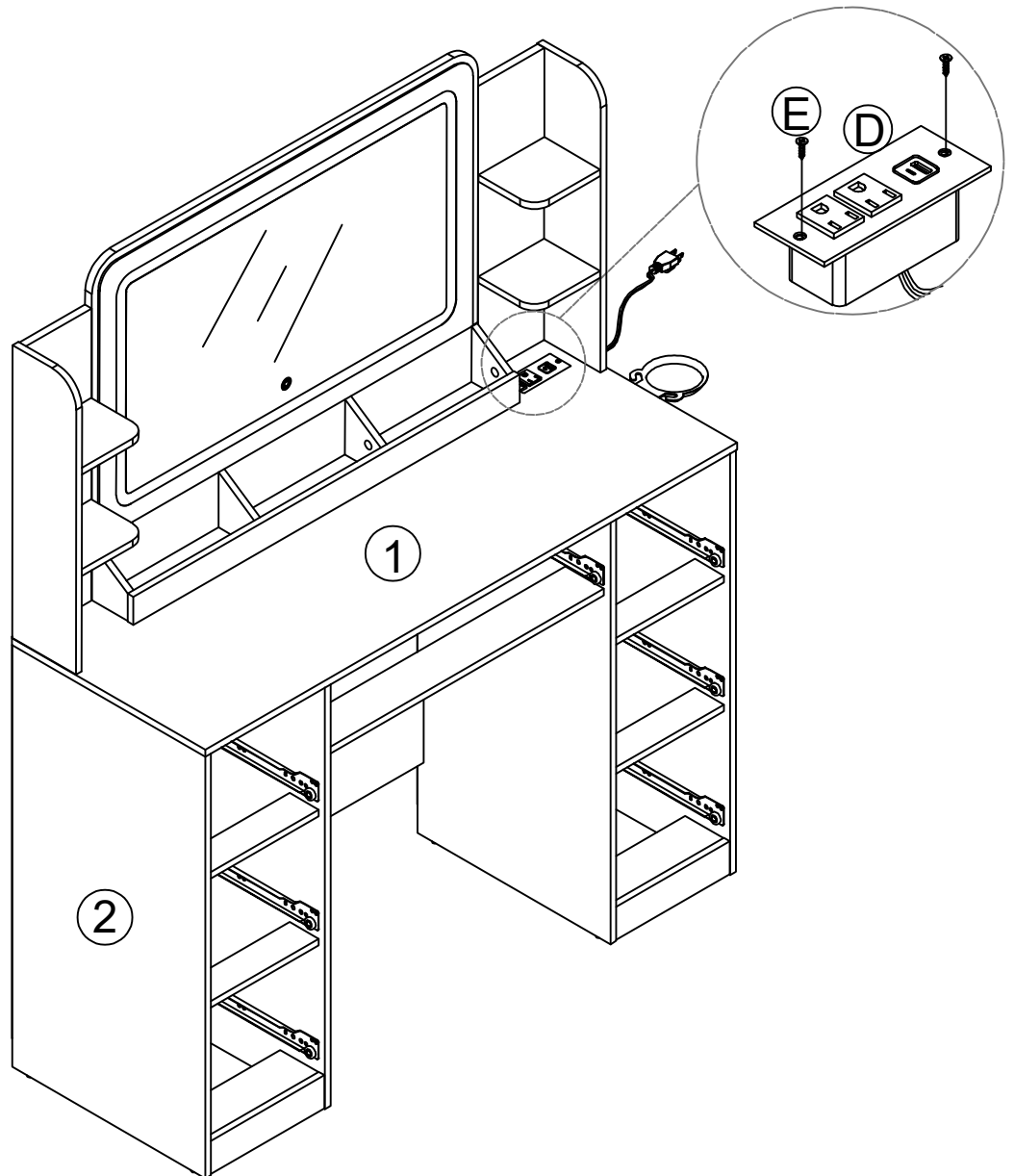
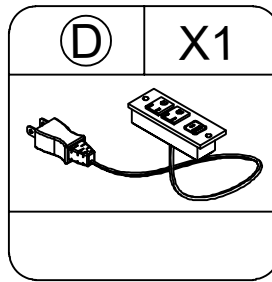
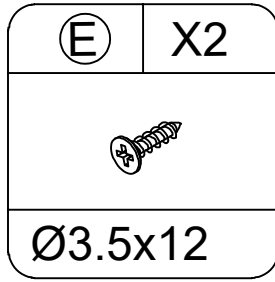
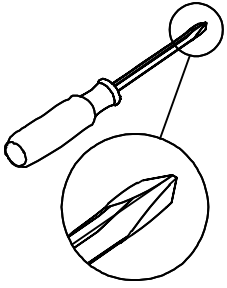
(E)	X6
	
Ø3.5x12	

(L)	X1
	
DR	
L=350	

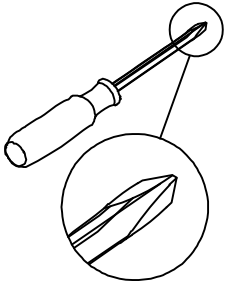
(L)	X1
	
DL	
L=350	



# STEP 26

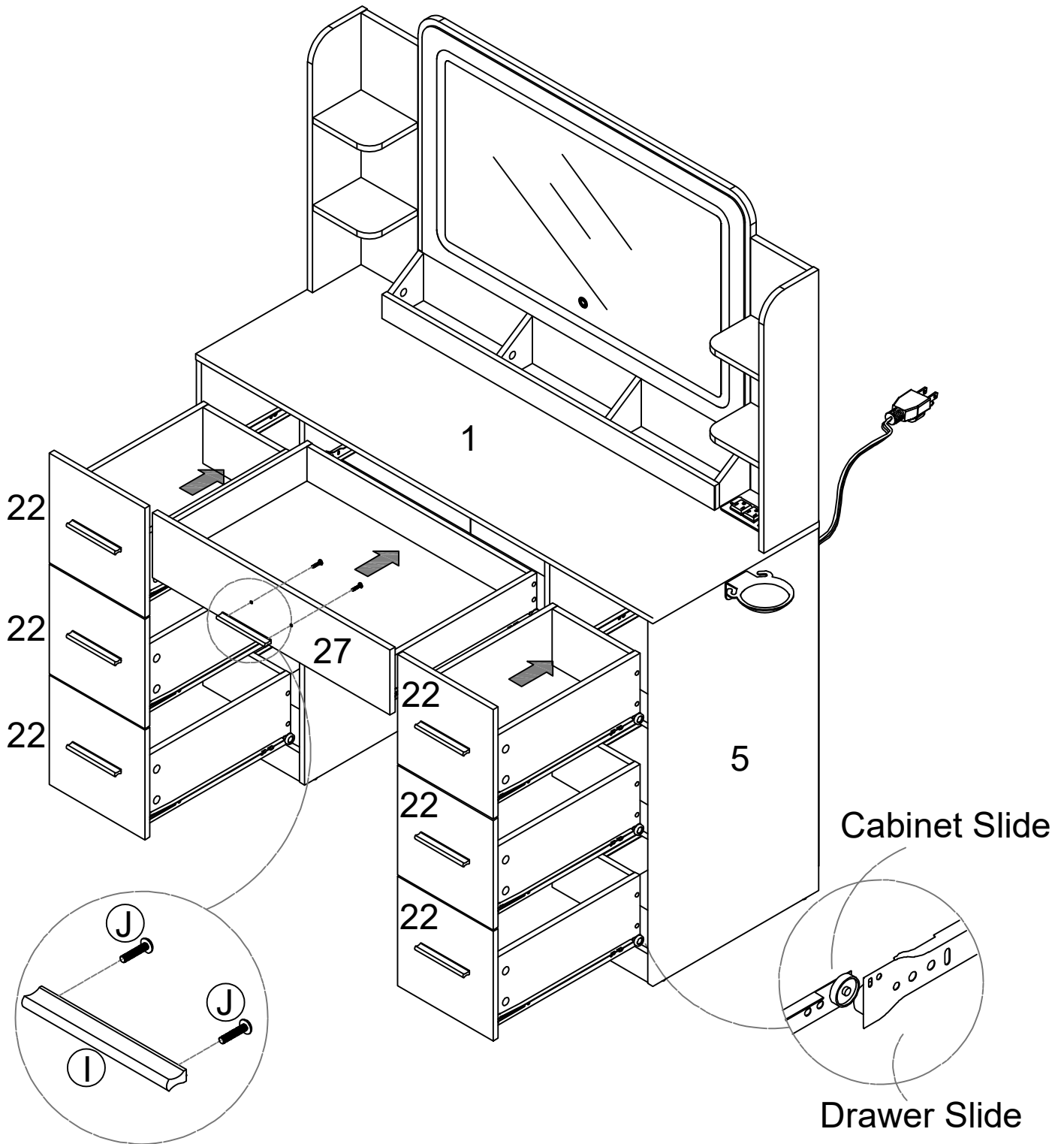


# STEP 27

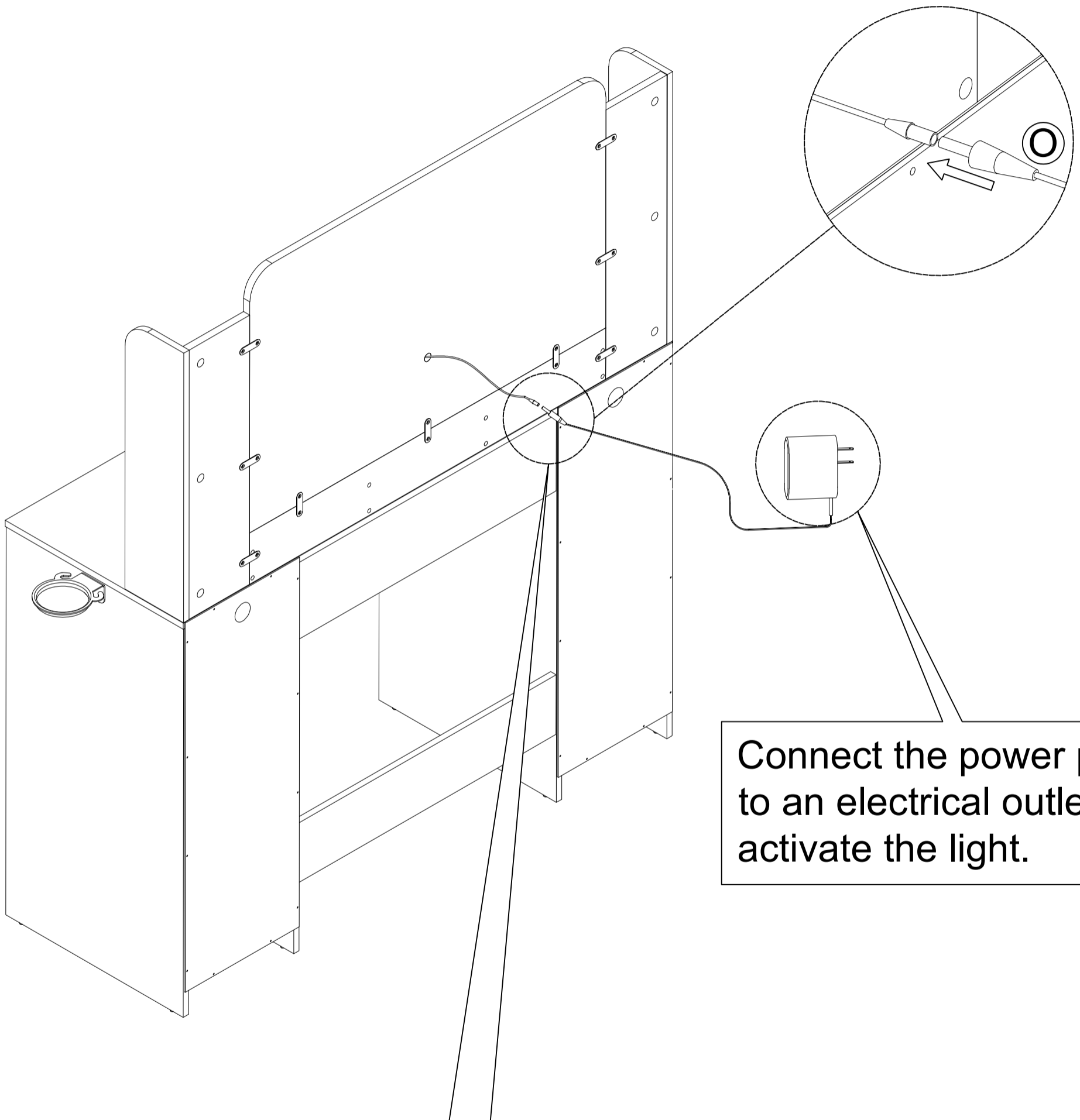
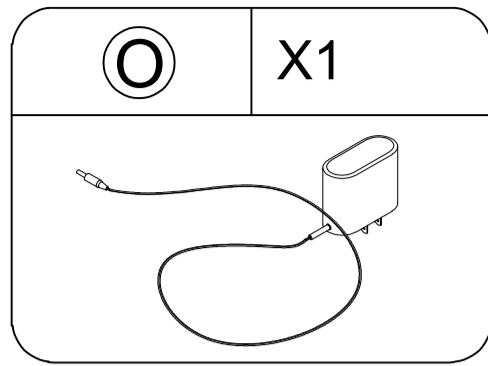


Ⓢ	X7
106*16*8	

Ⓝ	X14
5/32"x16	



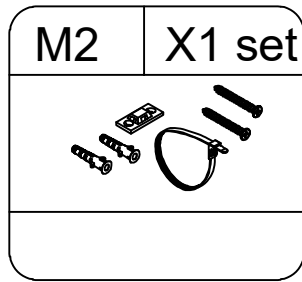
# STEP 28



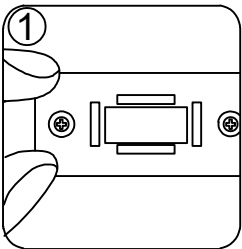
Connect the power plug to an electrical outlet to activate the light.

Insert the round connector into the socket behind the cabinet, then connect the other end to a power outlet to activate the smart sensor light inside the glass enclosure

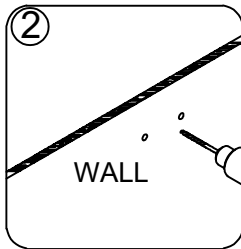
# STEP 29



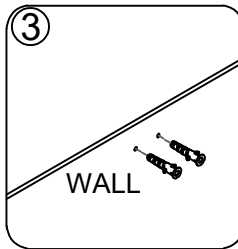
## Install the tipping restraint hardware



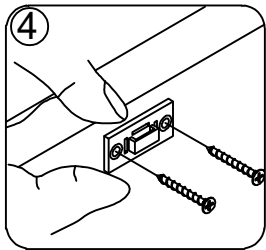
1. make mark on the wall



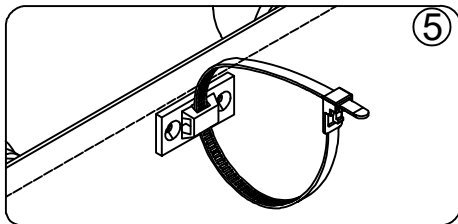
2. drill two GO6 holes on the wall



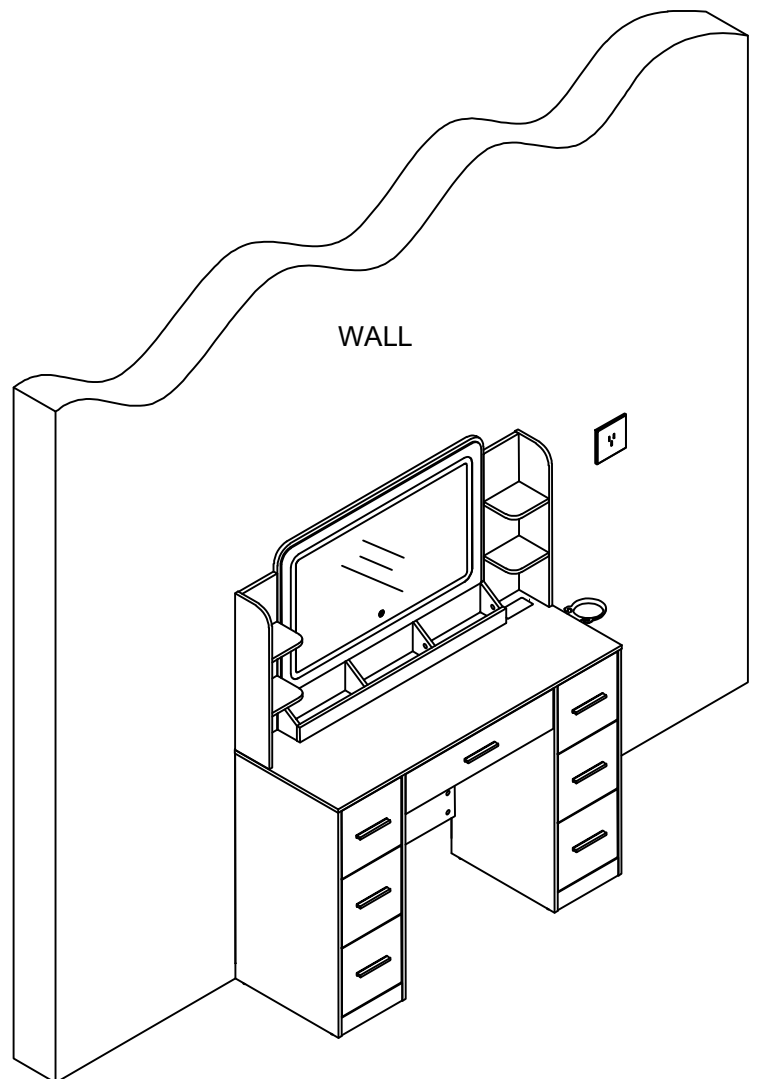
3. put two anchors in the holes



4. fix the device on the wall by the long screws



5. Push the cabinet close to the wall so that the two bases are close to each other, and then put on nylon tie to tighten it.



## FURNITURE CARE AND MAINTENANCE

Thank you for your purchase. We want your item to last as long as possible. To ensure the product gives you years of service, please refer to this care and maintenance guide.



### MAINTENANCE

Tighten all bolts and screws again within the first 2 weeks of assembly  
Check the tightness of all bolts every 2 months, tighten them if necessary



### CLEANING

Clean the surface of the MDF and PB (medium-density fiberboard) with a lightly dampened cloth  
Small amount of mild soap can be used if necessary  
Dry the surface immediately after cleaning

- ⚠ DO NOT use bleach or alcohol detergent to clean the surface
- ⚠ DO NOT apply wood treatment on parts made with MDF/PB.

Medium-density fiberboard and PB will swell and distort when suffer from water damage. Make sure to dry the furniture immediately after cleaning