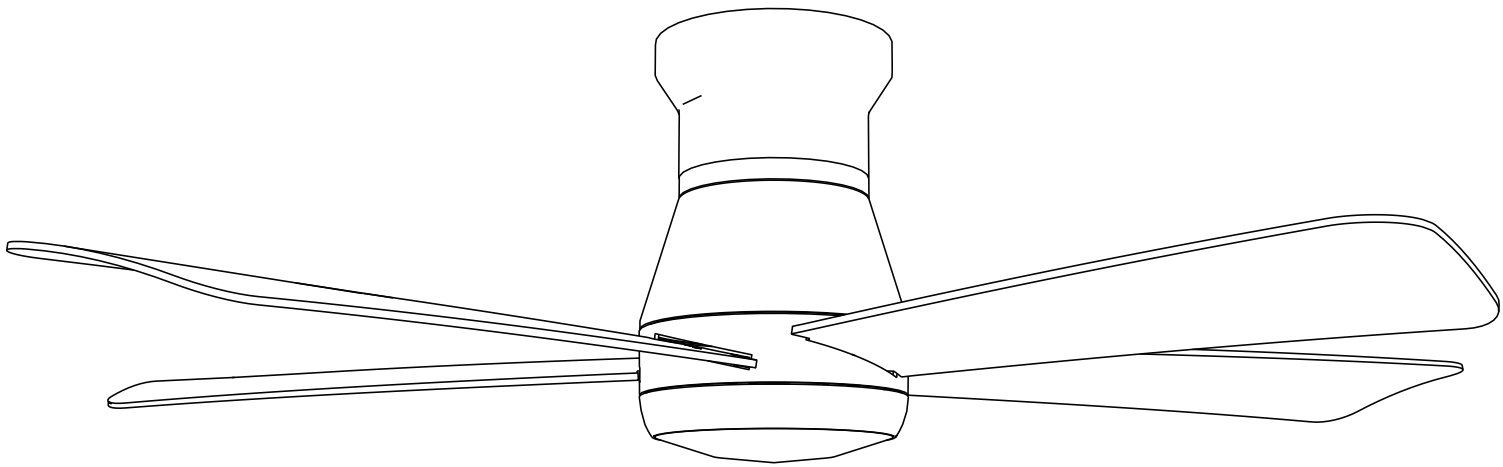


# OWNER'S MANUAL

READ AND SAVE THESE INSTRUCTIONS



## Flush Mount Ceiling Fan with Light

User Manual

---

### GET MORE SUPPORT

Should you experience any issues while operating any of our products, you can directly reach out to our Customer Support via Orders Or you can send your inquiry to our Official Customer Support.



**PLEASE KEEP CHILDREN AND PETS AWAY.**

Contains screws, magnets, please keep away children/pets to avoid accidental ingestion.



# SAFETY INFORMATION

## WARNING

To avoid fire, shock and serious personal injury, please read the following instructions carefully. Important Safety Instructions.

- Before installing the fan, disconnect the power by removing fuses or turning off circuit breakers.
- Make sure the installation site you choose allows a minimum of 7.5 feet from the blades to the floor and at least 30 inches from the tip of the blades to any obstruction.
- The outlet box and its support must be able to support the moving weight of the fan (at least 45kgs.). Do not use a plastic outlet box.
- Attach the mounting bracket by using the hardware supplied with the ceiling outlet box.
- After installing the fan, make sure all the connections are secured. This will prevent the fan from falling.
- Do not insert anything into the fan blades while the fan is operating.
- Turn the fan off and wait for it to stop before reversing fan direction.
- To reduce risk of electrical shock and personal injury, do not install the fan on a sloped ceiling.
- To reduce the risk of electrical shock and personal injury, do not use this fan with any solid-state.
- To reduce risk of personal injury, use only the two steel screws and lock washers provided with the fan for mounting the outlet box.

## Risk Of Electric Shock

- Before you start installing this ceiling fan, disconnect the power supply by turning off the circuit breaker. (see the picture at the next page.)
- All electrical connections must be in accordance with local and National Electric Code (N.E.C.) standards and ANSI/NFPA 70.
- Consult a qualified electrician if you are unfamiliar with proper electrical wiring connections.
- Do not alter, re-locate or remove wiring when nothing goes wrong with the product.
- Double-check all connections and screws to be sure they are tight and correct.
- Verify whether the supply voltage is correct by comparing it with the product information.

## Risk Of Injury

- Keep all the parts of this product away from children. The package contains many small or heavy parts that may bring the risk of choke or injury.
- Make sure to install all parts firmly enough in case they fall while running. Carefully check all screws, bolts, and washers on the fan assembly to ensure they are secured.
- Wear safety gloves and safety glasses always when installing or removing the light or the fan, or performing maintenance.
- Some parts of the components are sharp and may hurt your hands, please make sure you are wearing safety gloves when touching and installing the components.
- Wear rubber-soled shoes and work on a sturdy ladder.

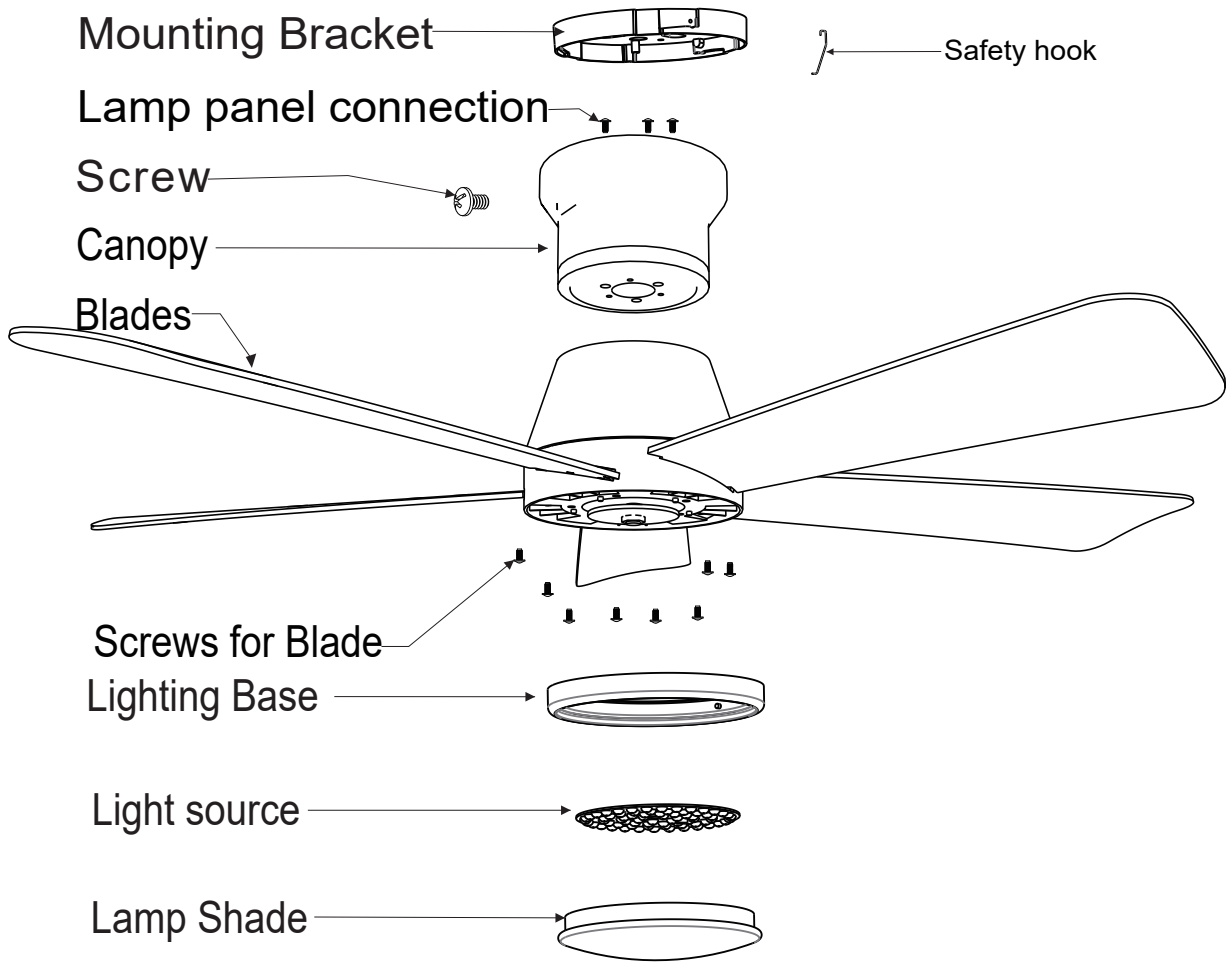
## Maintenance And Cleaning

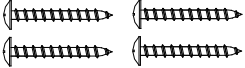
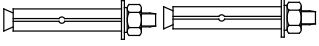
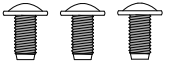

- Periodically cleaning your ceiling fan is the only required maintenance. Use a soft brush or lint free cloth to avoid scratching the paint. Please turn off the electricity power before you clean your fan.
- Do not use water when cleaning your ceiling fan. It could damage the motor or the blades or even evoke an electrical shock.
- The motor has permanently lubricated ball bearing.
- No need to oil.

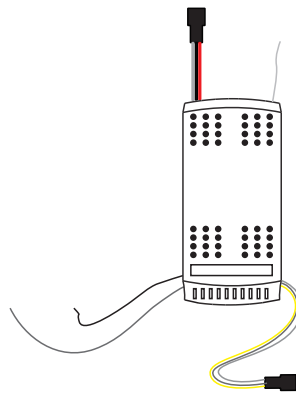
**MAKE SURE THE POWER IS OFF IN THE ELECTRICAL PANEL BOX BEFORE YOU DO ANY CLEANING OR REPAIRS**

# BEFORE YOU START

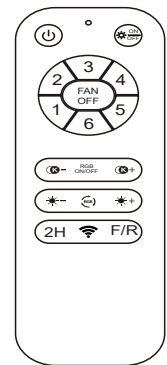
## Product Instruction



Item no.	Reference Image	Qty.
1	 ST5x35 Setscrew	x4
2	 Expansion Screw	x4
3	 Screws for Blades	x16
4	 Safety hook	x1



Receiver



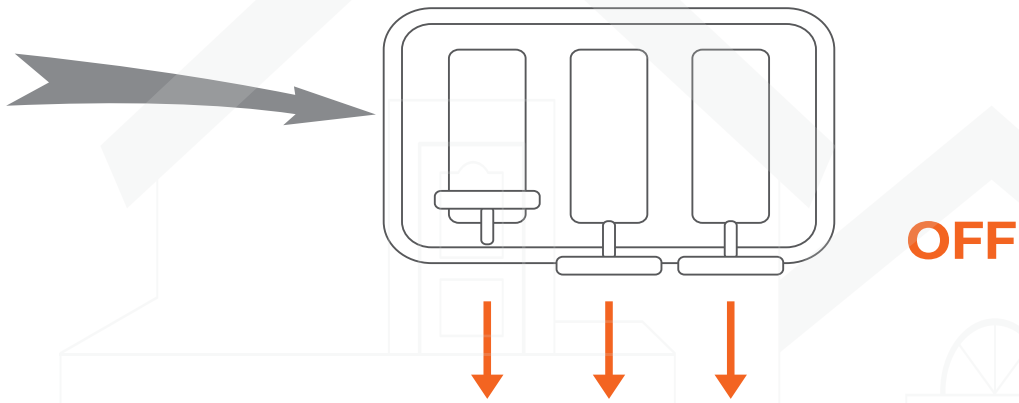
Remote Control



## PRE-INSTALLATION ADVICE

### WARNING

To avoid serious injury or death, turn off the power at the circuit breaker before installing the fan.



### TOOLS NEEDED



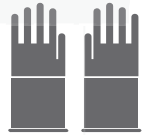
Phillips Screwdriver



Wire Stripper



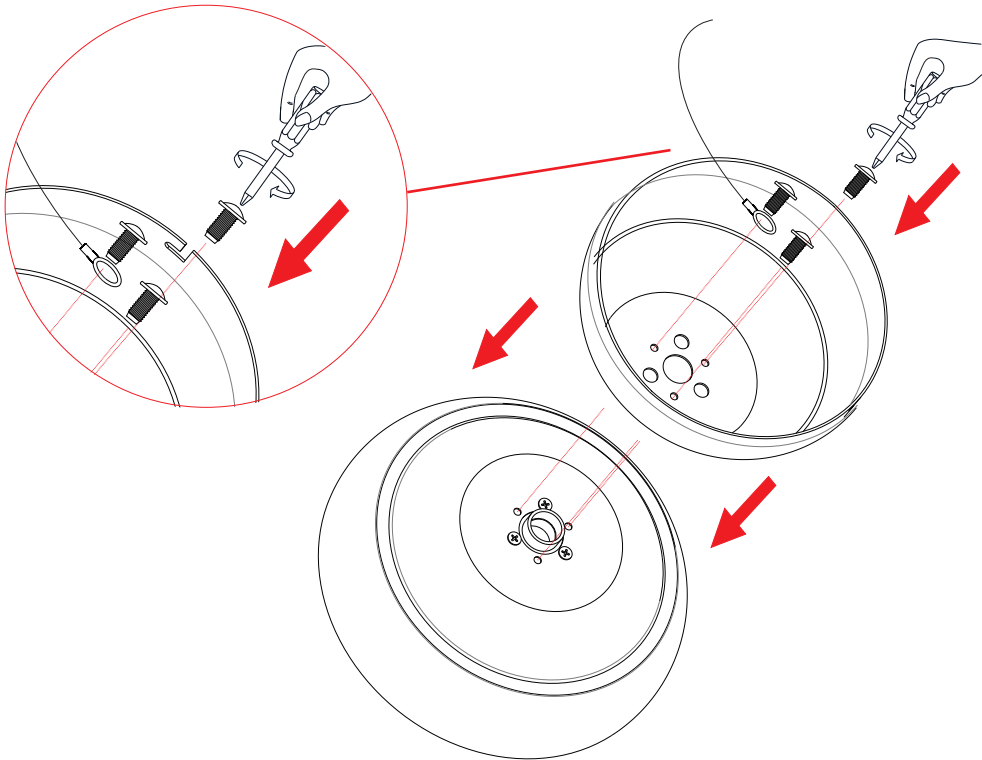
Step Ladder



Safety Gloves

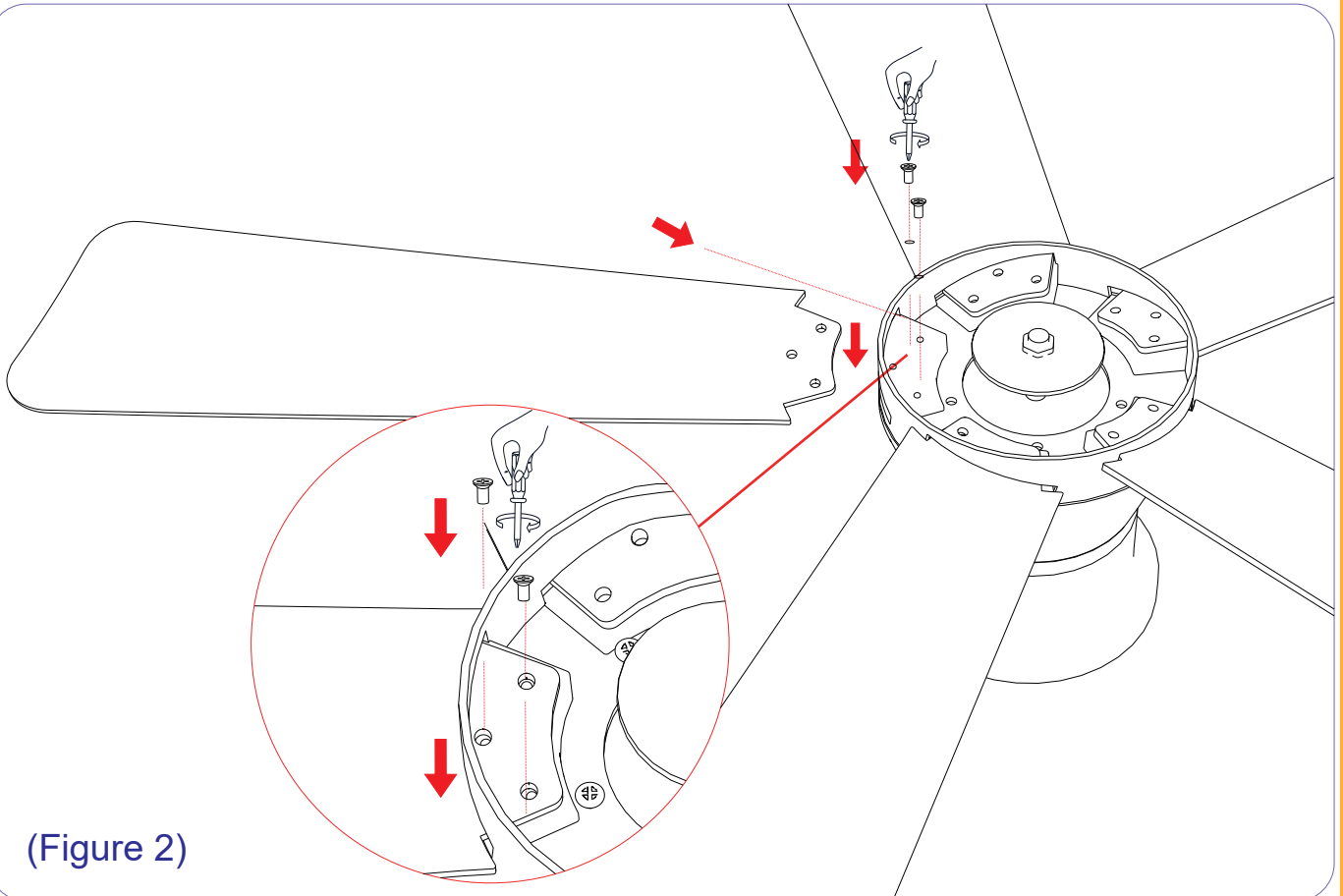
# ASSEMBLY DRAWING & PARTS LIST-WITH LIGHT

1. Install canopy onto the motor.



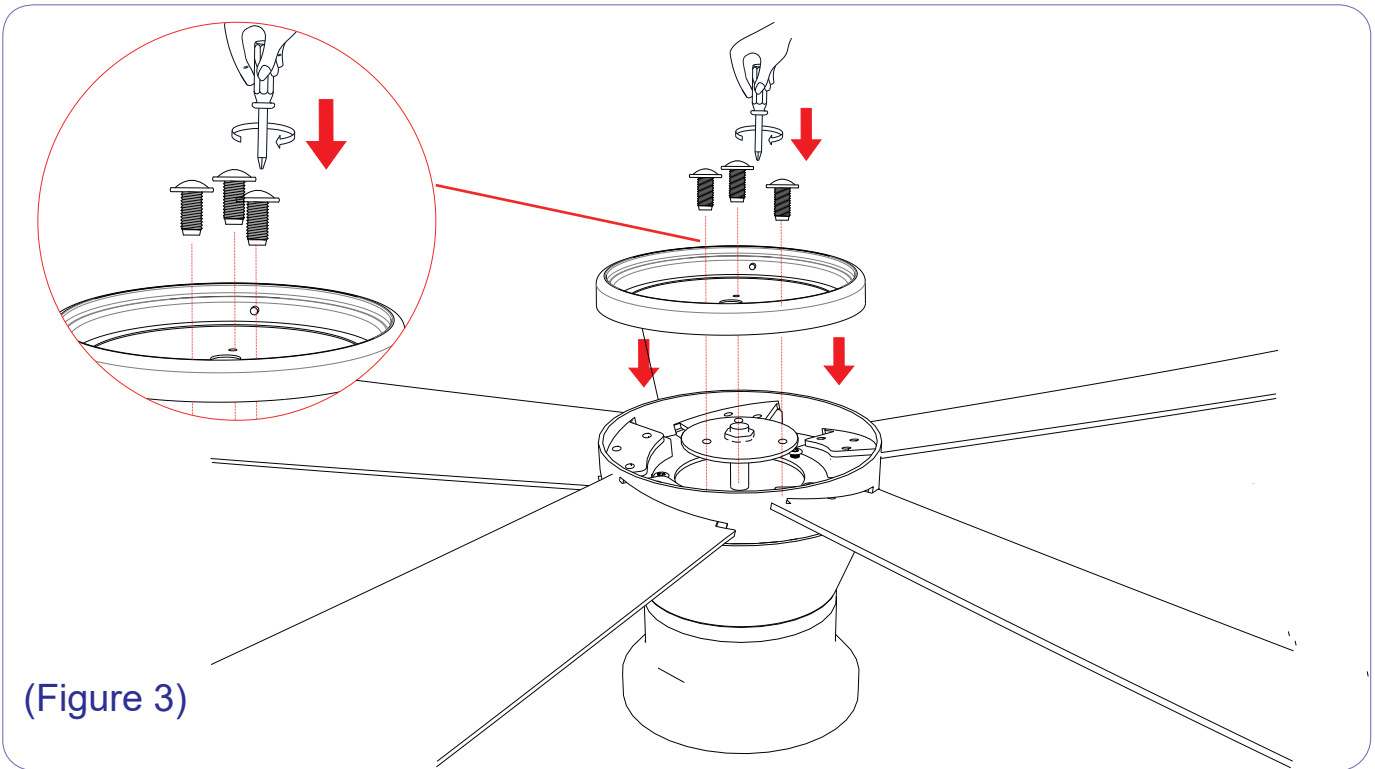
(Figure 1)

2. Remove the screws locked on the side of the motor. And install the fan blades onto the motor with screws.

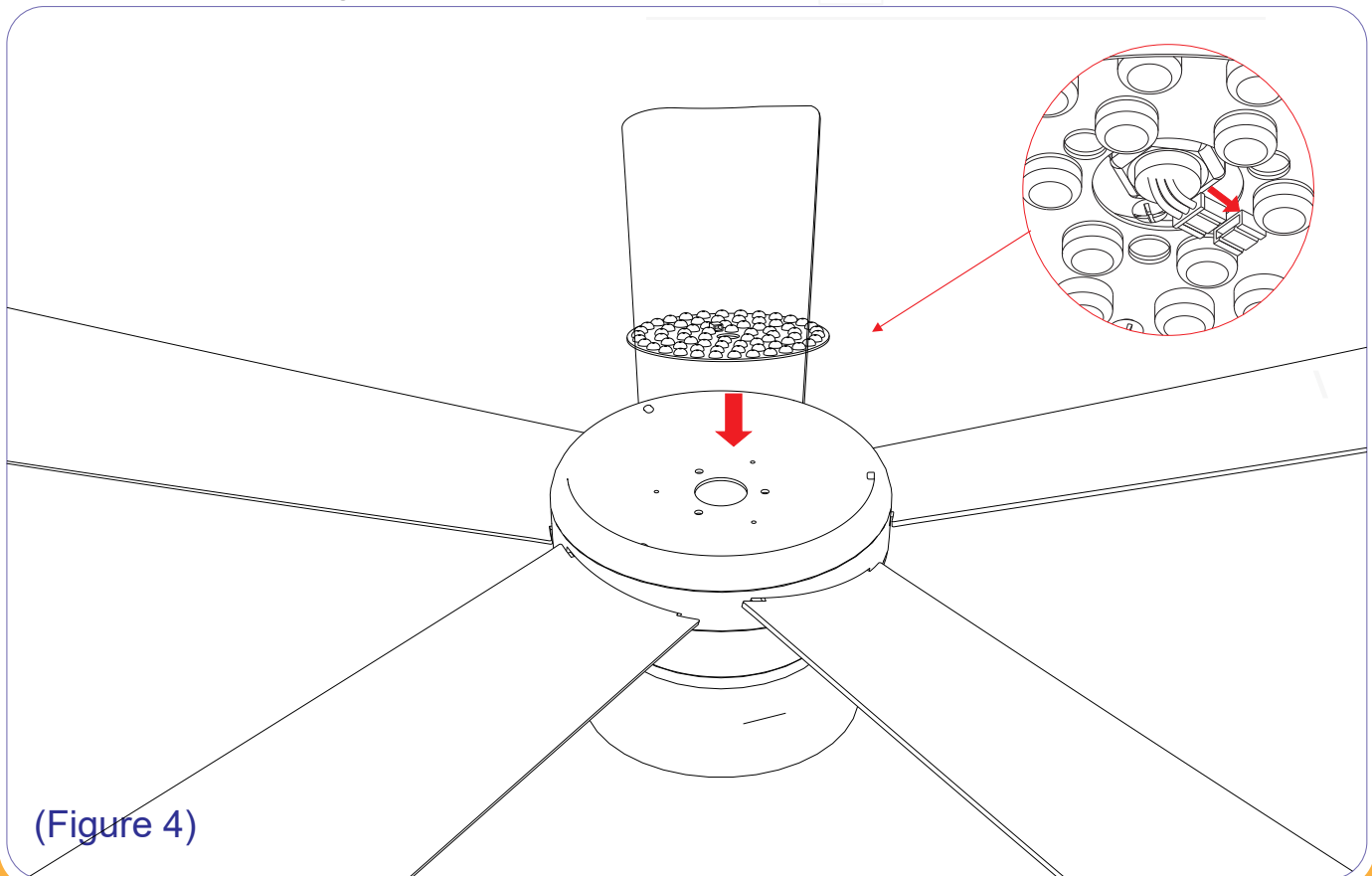


(Figure 2)

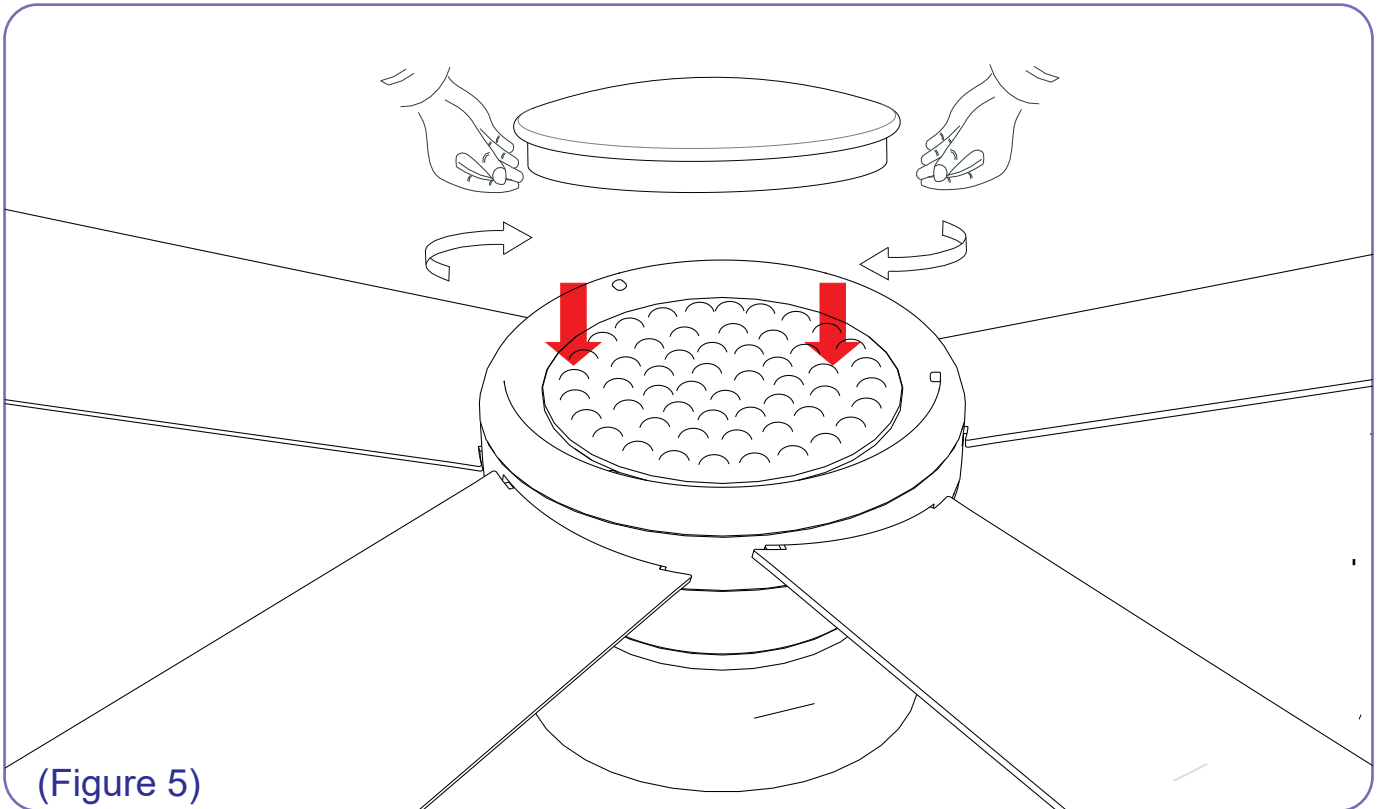
3. Fix the lighting base to the motor with 3 screws.



4. Install the LED light panel.



5. Install the lampshade.



(Figure 5)

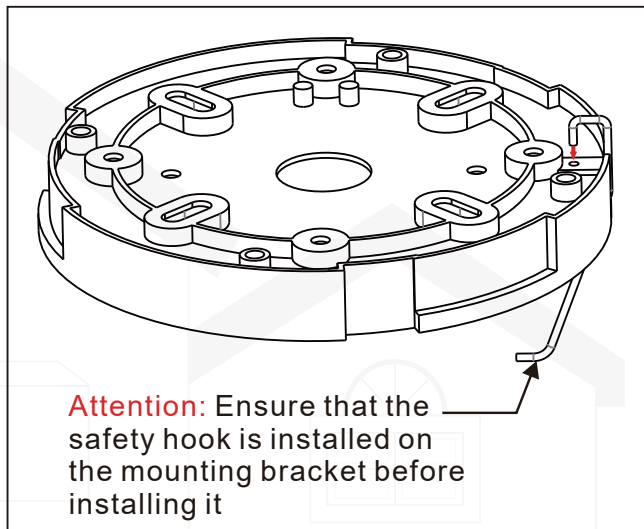
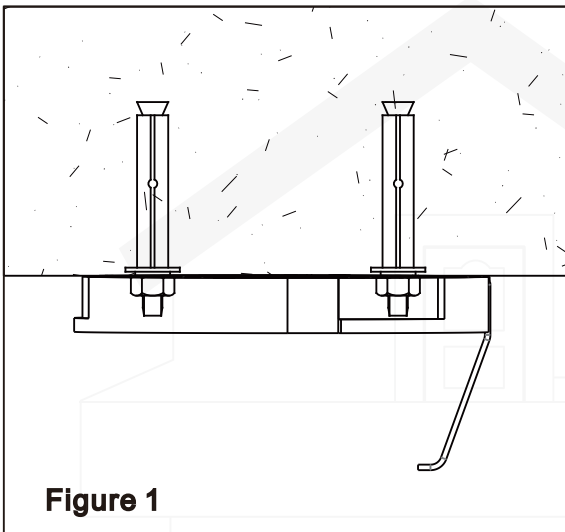
# INSTALLING THE FAN

Tools Required : Phillips screwdriver , a pair of pliers , straight slot screwdriver , adjustable wrench , step ladder ,and wire cutters

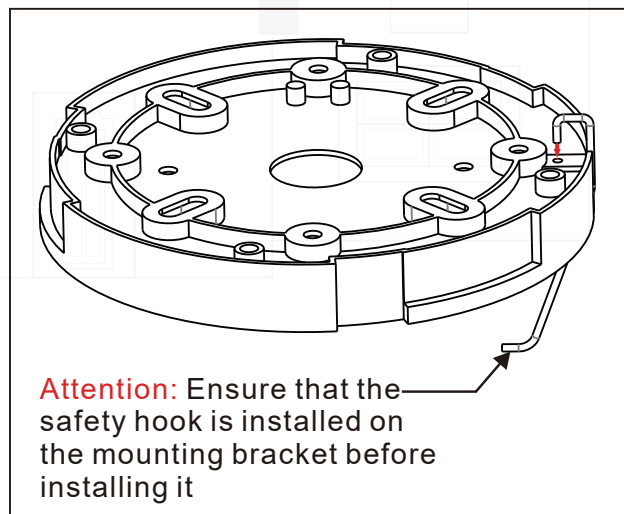
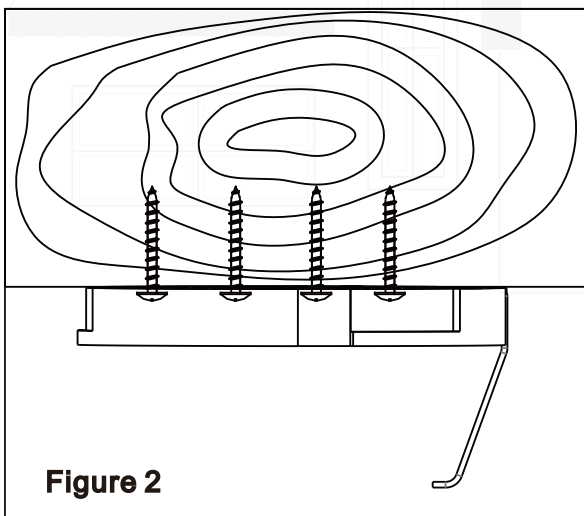
## INSTALLING THE MOUNTING BRACKET

The ceiling fan must be installed in the location where there is 12" (300mm) spacing from the tips of all blades to the nearest objects or walls. REMEMBER to turn off the power before hanging the fan. Follow the instruction below to hang your fan properly:

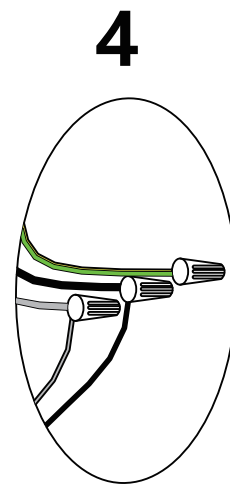
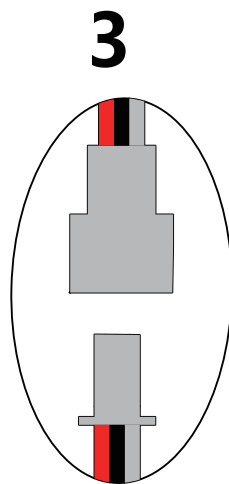
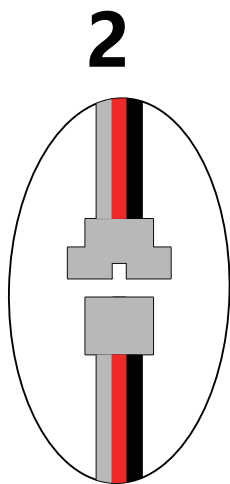
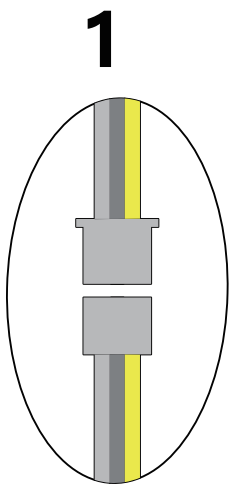
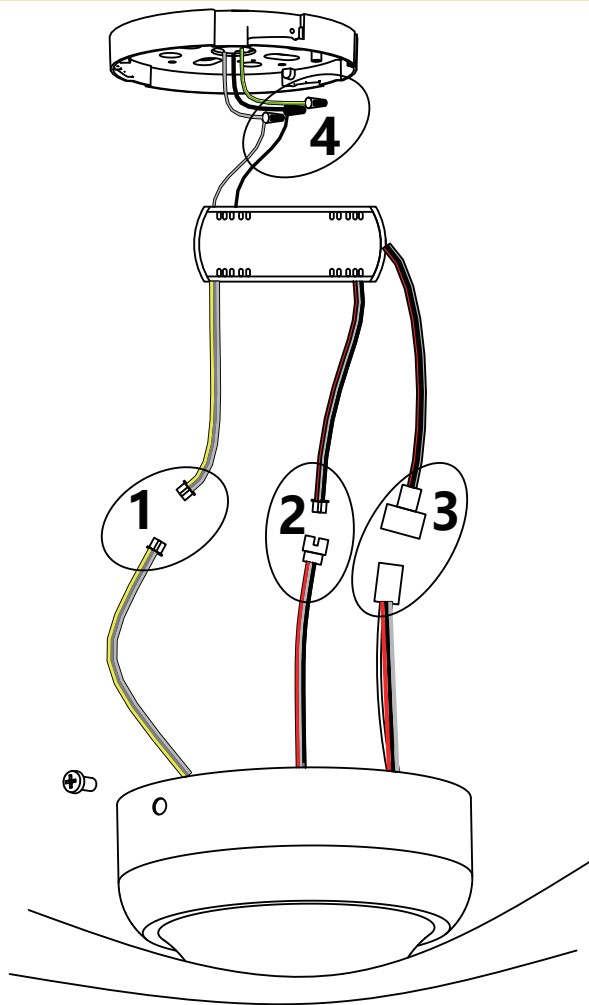
1. For concrete ceiling, drill two holes in the ceiling and secure the mounting bracket to the ceiling with two  $\Phi$  0.32" (8mm) (distance between the two holes should be appropriate) expansion screws, at washers nuts provided and tighten with a spanner.



2. For wood ceiling, secure the mounting bracket to the ceiling that is capable of carrying a load of at least 100lbs (45kgs) with two long mounting screws and washers provided. Be sure at least 0.12" (30mm) of the screw is threaded into the support.



# MAKE THE ELECTRIC CONNECTIONS



**white yellow  
grey wire  
light source  
plug**

**black red  
white wire  
RGB light  
source plug**

**red white  
black wire  
motor plug**

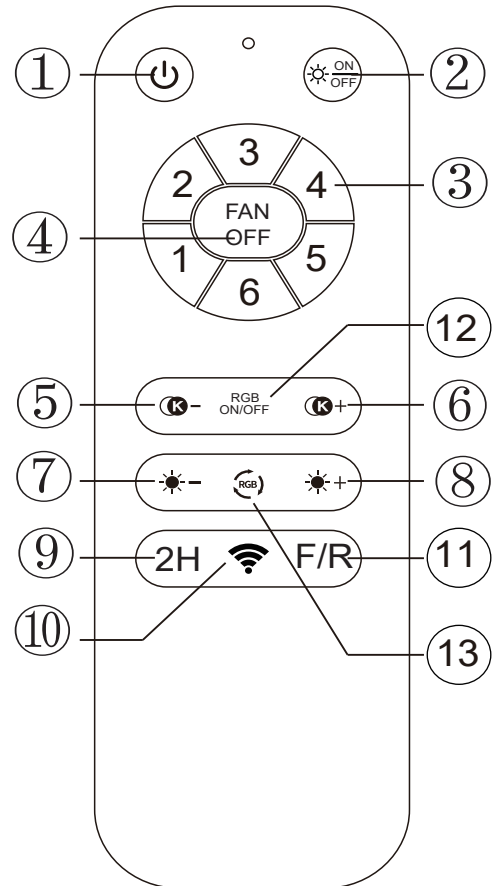
**black --live wire  
white --neutral wire  
yellow green earth**

Note: The battery for the remote controller is not included under the safety concern in transit, please use model#"AAA"battery.

"For several ceiling fans, please press the the turn off/on button quickly, the light tone will change immediately

## Button Description

- ① Press this button to turn off the fan and lights.
- ② Click to turn on/off the light.
- ③ Fan gear: 1-6 gears increase from slow to fast.
- ④ Click to turn off the fan.
- ⑤ Press and hold to adjust the color temperature to warm light.
- ⑥ Press and hold to adjust the color temperature to cool light.
- ⑦ Press and hold to lower brightness.
- ⑧ Press and hold to increase brightness.
- ⑨ Turn off the lights and fans after clicking this button for two hours.
- ⑩ Code button.
- ⑪ Click to change the direction of the fan.
- ⑫ Click to turn on/off RGB
- ⑬ Click to switch RGB mode



### Remote control pairing method:

When the light is powered on, press and hold button 10. If it exceeds 5 seconds, the indicator light will flash, indicating successful operation.

### Remote control decoding method:

When the light is powered on, press and hold button 1. If it exceeds 5 seconds, the indicator light will flash, indicating successful operation.

### Before Installation:

- a) Please do not install any dimmer switch, but it is available to use a simple "on/off" wall switch with the remote
- b) If you purchased the dimmable ceiling fan and are willing, to instal a dimmer switch, please do not install this remote. it does not acknowledge installing both controls at the same time.

## TROUBLESHOOTING

Your fan may occasionally jerk forward or backward upon starting up.

This is normal and does not affect the fan operation.

Try these troubleshooting steps before contacting customer service.

SYMPTOM	POSSIBLE SOLUTIONS
<p>The fan doesn't spin</p>	<ol style="list-style-type: none"> <li>1. Make sure the fan is getting power.</li> <li>2. Check the functionality of circuit breaker or fuse panel and wall switch.</li> <li>3. Confirm fan wires are correctly connected to the house wires.</li> <li>4. Make sure the blocker of the fan motor is removed.</li> <li>5. Use your remote to check the power to the breaker and try to work your ceiling fan manually from afar (Normal switch only for the fan power on/off)</li> </ol>
<p>The fan's light does not work</p>	<p>Make sure the LED light kit and light bulb are connected well.</p>
<p>The fan is noisy and wobbling</p>	<ol style="list-style-type: none"> <li>1. Confirm the blade screws are NOT rubbing against the the motor's round plastic part.</li> <li>2. Confirm the pin wire are NOT connected against the moving part.</li> <li>3. Confirm the coupling cover is NOT hitting the motor</li> <li>4. Confirm the down rod is NOT slanted</li> <li>5. Tighten any loose screws on the light kit, fan blades, motor coupling, down rod, brackets and mounting hardware.</li> <li>6. Confirm the hanger ball is firmly seated in the mounting bracket.</li> <li>7. The ceiling beam must meet the minimum tensile test strength of 30KG for installation.</li> <li>8. Make sure the airfoils and brackets are NOT bent or deformed.</li> <li>9. Confirm the wire connections are not rattling against each other.</li> <li>10. Confirm the fan blades are not cracked. If the fan blades are cracked, replace the damaged blades with the set of new blades of same brand as your ceiling fan ensures the compatibility.</li> <li>11. Change fan blades' positions.</li> <li>12. Confirm the light kit is NOT slanting and hitting the motor.</li> <li>13. Confirm all the blades are screwed firmly into blade holders.</li> </ol>
<p>The fan or light automatically turns on/off</p>	<ol style="list-style-type: none"> <li>1. Confirm the circuit breaker is not malfunctioning.</li> <li>2. Confirm the wire connections are not frayed.</li> <li>3. Confirm the app does not set the timer or schedule</li> <li>4. Power off the fan for 10 minutes, then power on again.</li> </ol>