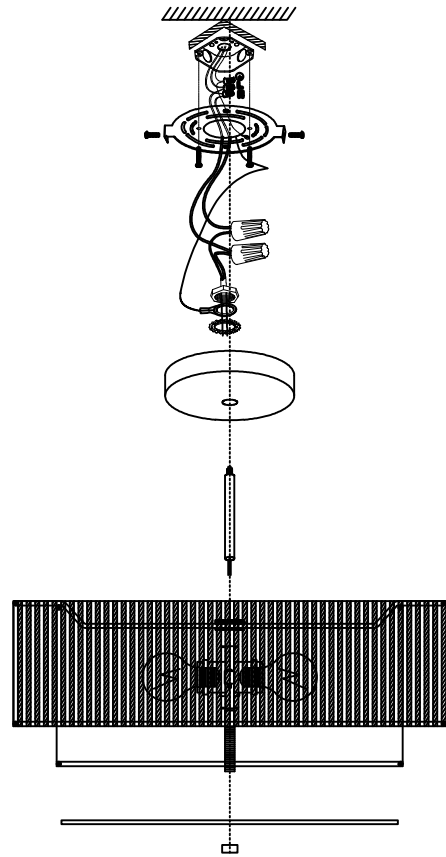
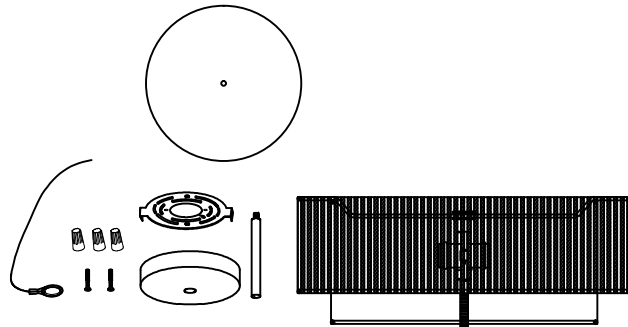


Package

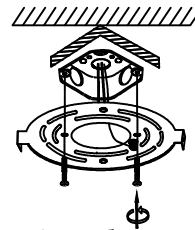


Install:

Open the package, check whether the accessories are complete

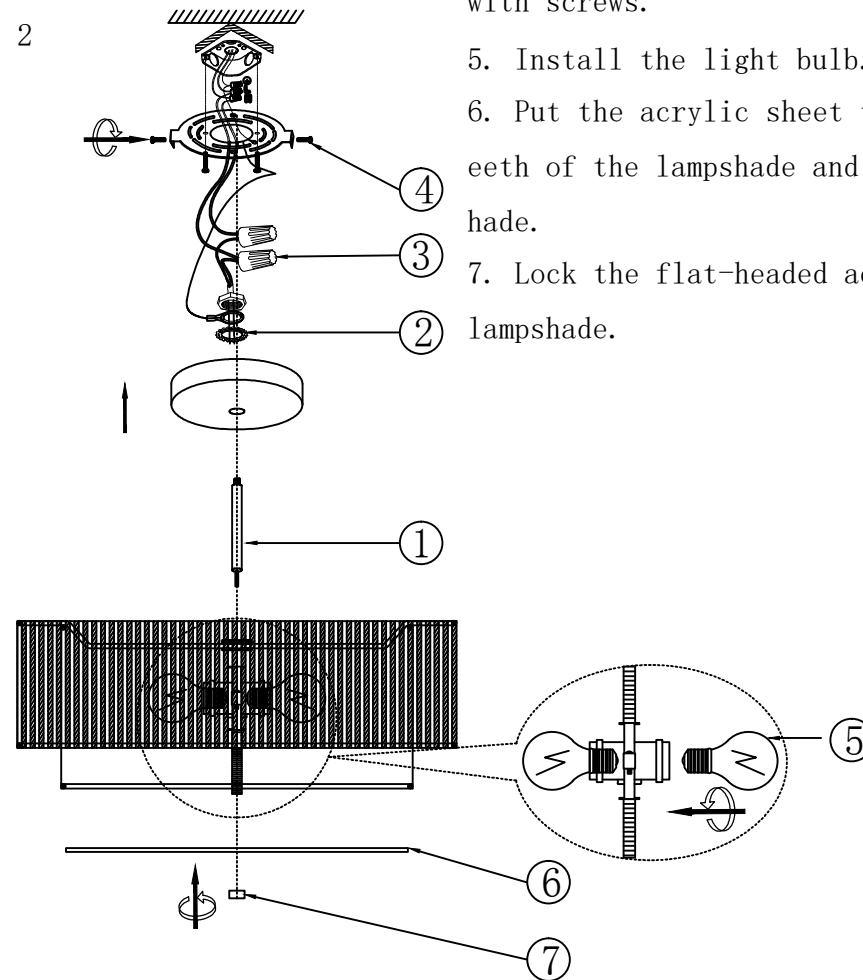


Part 1



Fix the hanging plate on the junction box.

Part 2



1. Fix the boom to the lampshade.
2. Lock the ground wire and ceiling disk on the hanger with nuts.
3. Connect the positive, negative and ground wires of the main line and power line separately with the terminal cap.
4. Fix the ceiling tray on the hanging plate with screws.
5. Install the light bulb.
6. Put the acrylic sheet through the middle teeth of the lampshade and put it on the lampshade.
7. Lock the flat-headed acrylic sheet on the lampshade.