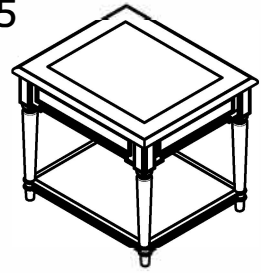


# ASSEMBLY INSTRUCTIONS

206-915



## TOOLS REQUIRED:

Wrench (supplied, part # A)

## BEFORE YOU START:

1. Check the parts against the parts list to make sure all items are present.
2. Assemble your furniture on a soft, flat surface to avoid scratching the finish.
3. **CAUTION:** Do not over tighten screws, nuts or bolts during assembly.
4. Your furniture may require occasional tightening.

## INSTRUCTIONS:

1. Turn the top on the smooth and clean soft surface.
2. Attach the Middle Legs to Top, twist legs clockwise until tight. As show in Figure 1.
3. Put the Shelf onto Middle legs, and attach the Bottom Legs to shelf, twist legs clockwise until tight. As show in Figure 2.
4. Turn the table up after assembled.
5. If you find the table out of horizon, please adjust the levelers accordingly. As show in Figure 3.

Figure 1

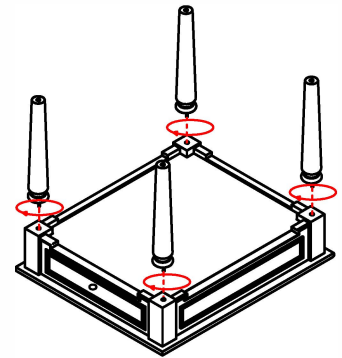


Figure 2

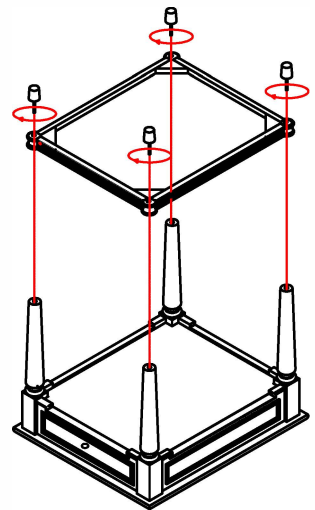


Figure 3

