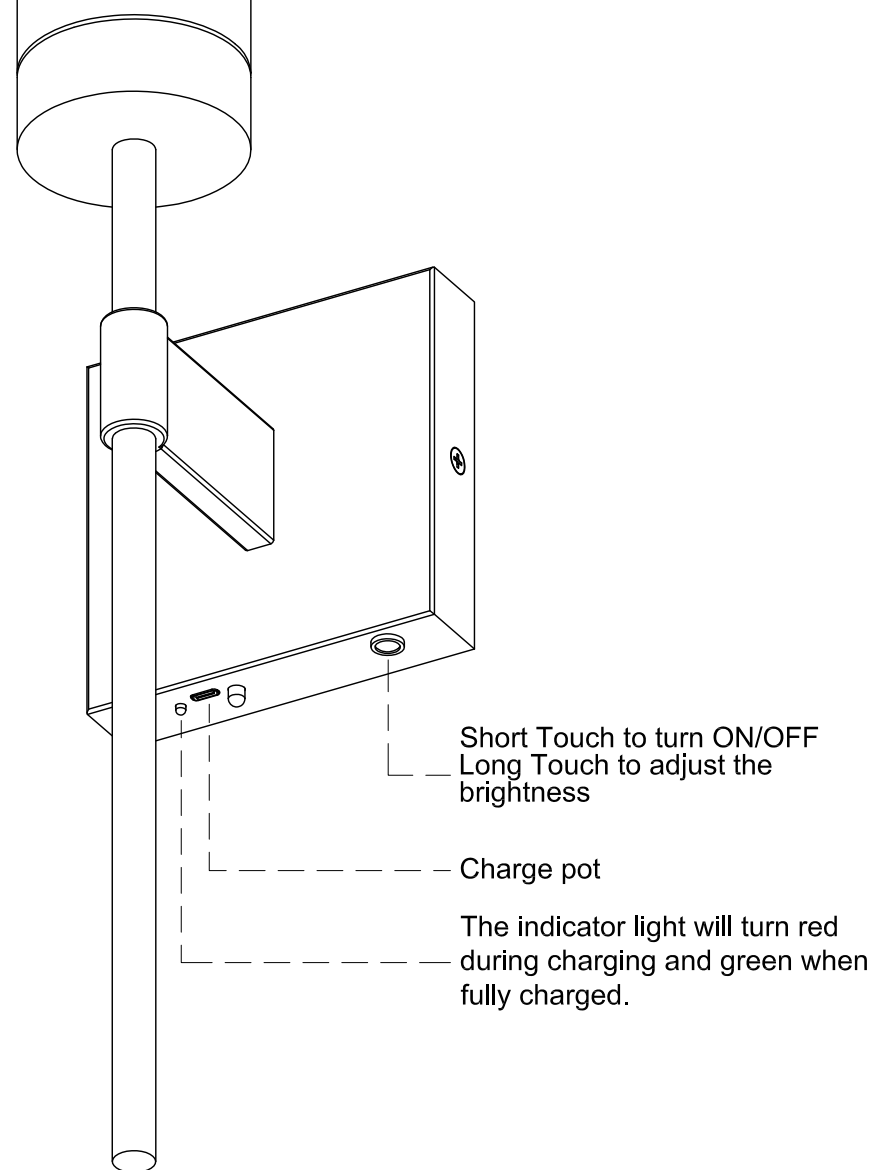


LED Remote Control



#### Product Features

- Remote Control: Easy to adjust brightness, and turn on/off from a distance.
- Rechargeable Battery: Environmentally friendly with long battery life.

#### Specifications

- Charging Voltage: DC5V
- Power Consumption: 4W
- Luminous Flux: 400 lumens
- Battery Capacity: 8000 mAh
- Charging Time: Approximately 2~4H
- Operating Temperature: -20°C to +40°C
- Use time: 36 hours
- Service Life: Up to 50,000 hours

#### Quick Start Guide

##### 1. Charging:

- Connect the charging cable to the lamp and plug it into a USB power source.
- The indicator light will turn red during charging and green when fully charged.

##### 2. Installation:

- Screw the bulb into a standard socket.
- Remove the plug and place it on any flat desktop

##### 3. Using the Remote Control:

- Use the buttons to adjust the brightness, and turn on/off.

#### Troubleshooting

- **Bulb Does Not Turn On:**
  - o Check if the bulb is properly installed and the power is on.
  - o Ensure the battery is charged.
- **Remote Not Working:**
  - o Replace the batteries in the remote control.
  - o Try resetting the remote by removing the batteries for a few minutes and reinserting them.
  - o Make sure you are within the operating range of the remote (up to 8 meters).
  - o Ensure that there are no obstructions or strong current interferences between the remote control and the light bulb.

#### Warranty Information

- This product comes with a 1 years warranty.
- For warranty claims, please contact our customer support with your purchase receipt and details of the issue.

#### Disposal

- This product contains batteries, please do not dispose of them at will to avoid polluting the environment.
- Please dispose of this product responsibly according to local regulations.