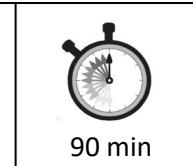
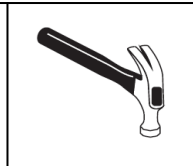


# CS410



Thank you for choosing this furniture.

**PLEASE RETAIN PACKAGING UNTIL YOU HAVE COMPLETED ASSEMBLY.**

**Information about your furniture.**

Our furniture ranges have been carefully crafted from solid wood and natural wood veneers. Each piece of furniture has unique characteristics such as knots, variances and granning. These are part of the natural character of the furniture itself.

**Caring for your furniture.**

Extreme temperature can cause slight movements in the wood itself so please avoid placing your furniture close to radiators or other direct sources of heat. Humidity should also be avoided. Please avoid exposing your furniture to continued bright sunlight as it can affect the colour. Any fluid should be removed as quickly as possible. Always lift your furniture when moving, as dragging can cause damage to your furniture or flooring. Extreme changes in temperature & humidity during transit may result in a powder residue forming so silica gel bags have been included to alleviate this natural occurrence. This residue is harmless and can easily be removed before assembly with a damp cloth and mild detergent.

**After care.**

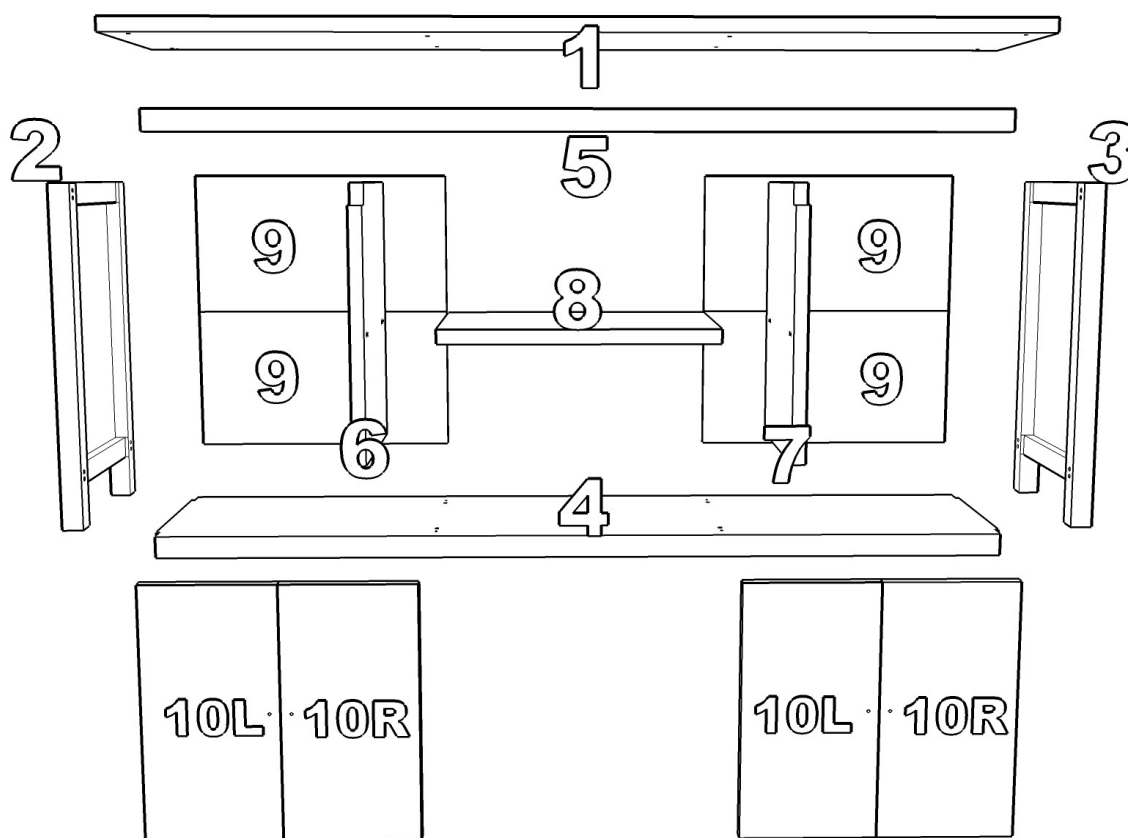
Wipe the surfaces with a dry cloth and an occasional use of normal household polish. We also recommend you use household spray polish occasionally on the drawer grooves and runners as this will aid use. Please do not use detergents or chemicals on your furniture.

**Before you start assembly.**

Please check that you have all the correct parts and fittings as detailed above. In the unlikely event of a part being damaged or missing please mark the component or part on the diagrams above and email to [arisesunltd@gmail.com](mailto:arisesunltd@gmail.com)

**Please provide the following information so that your request can be dealt with ASAP**

**\* Name \* Address \* Post Code \* Telephone number \* Batch number (to be found at the bottom left of this page)**



**A = x28 Dowel**



**B = x25 40mm Screw**



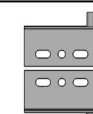
**D = x28 Nail**



**F = x4 Bolt**



**G = x4 Handle**



**M = 4x Hinge Pair Set**



**J = x4 Mag. Catch**



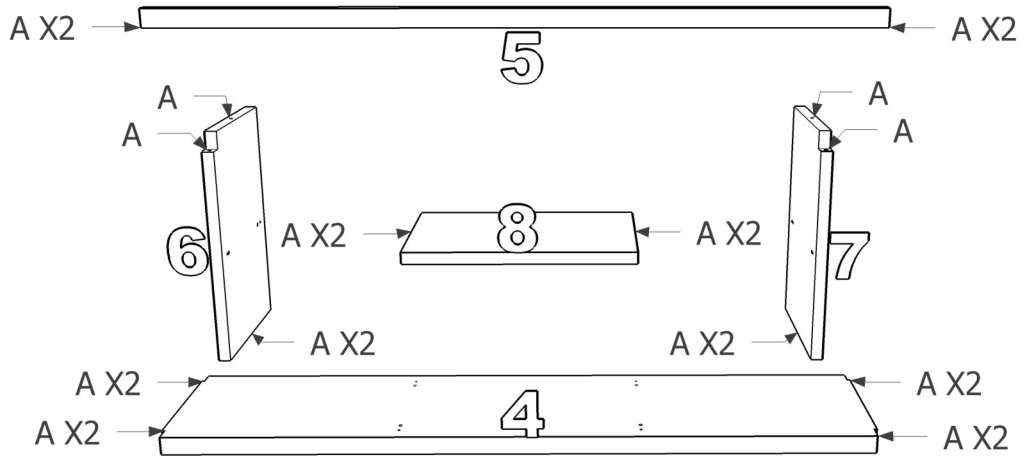
**H = x8 15mm screw**



**N = 24x Hinge screw**

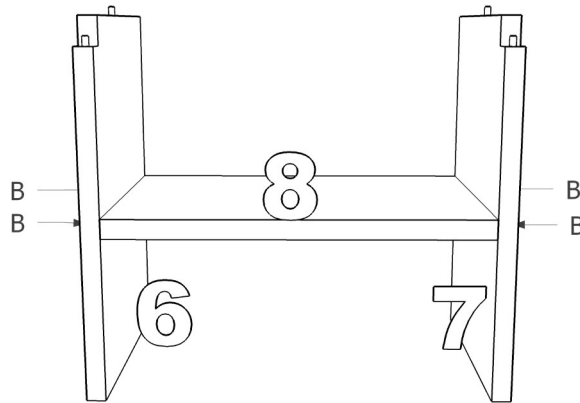
BATCH No.

1



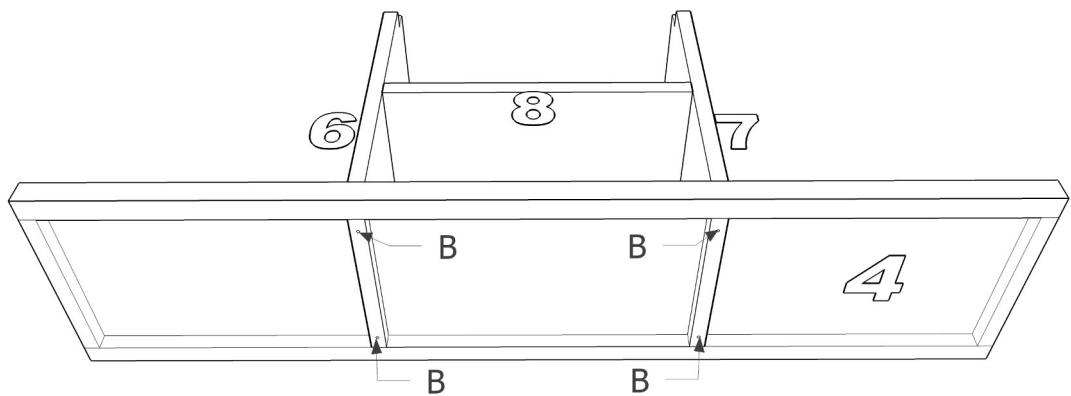
A = x24  
Dowel

2



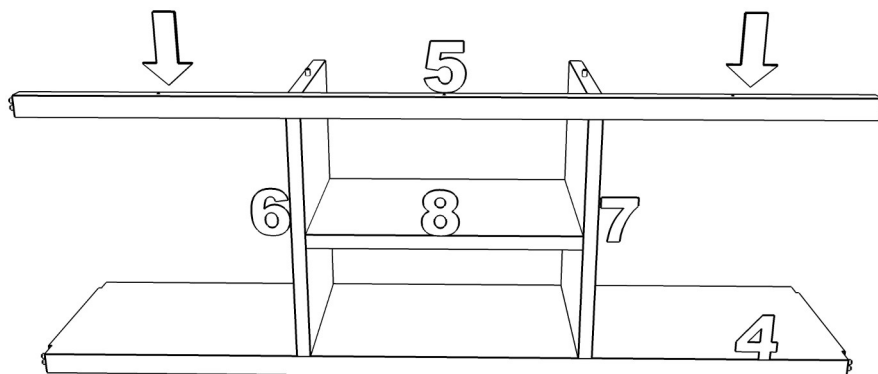
B = x4  
40mm Screw

3

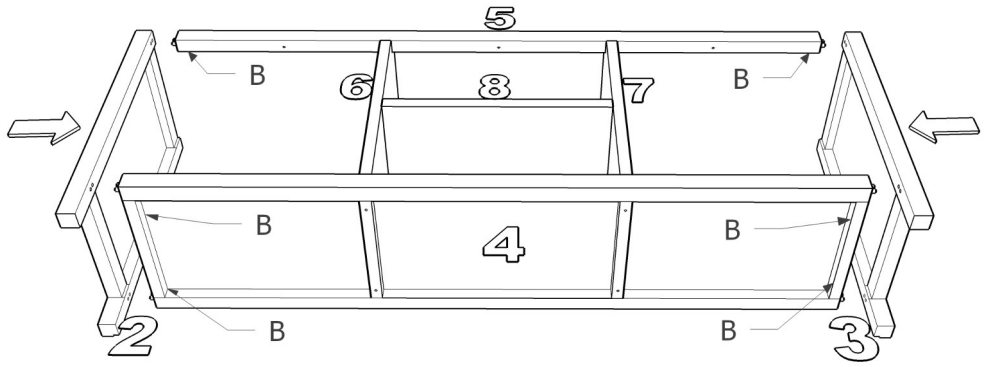


B = x4  
40mm Screw

4

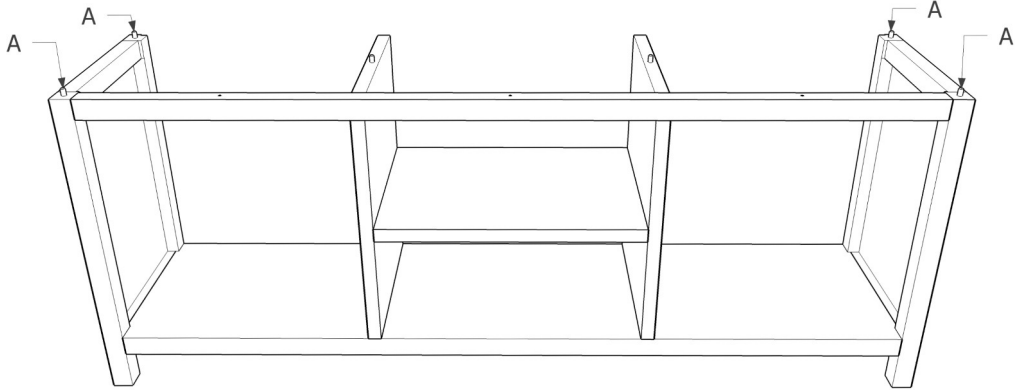


5



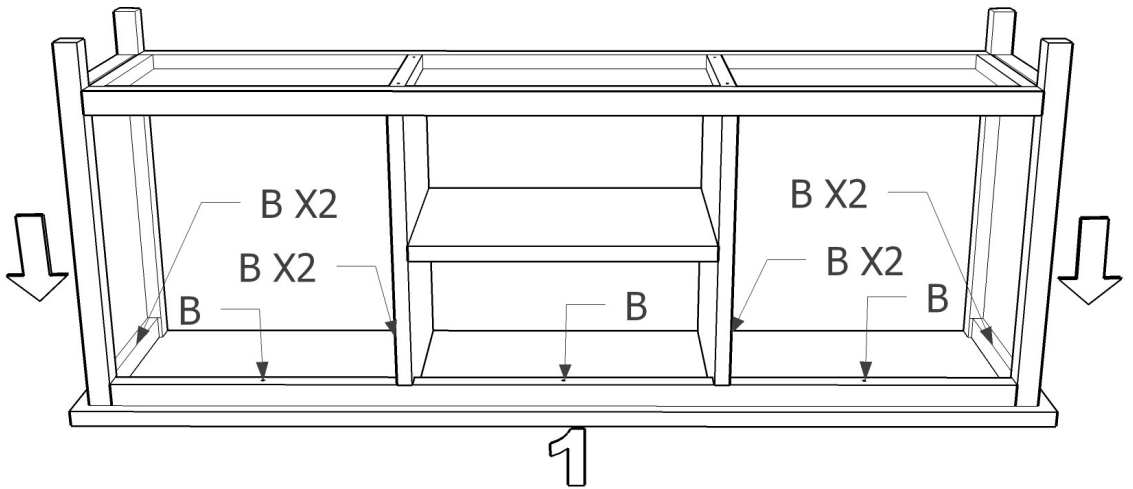
B = x6  
40mm Screw

6



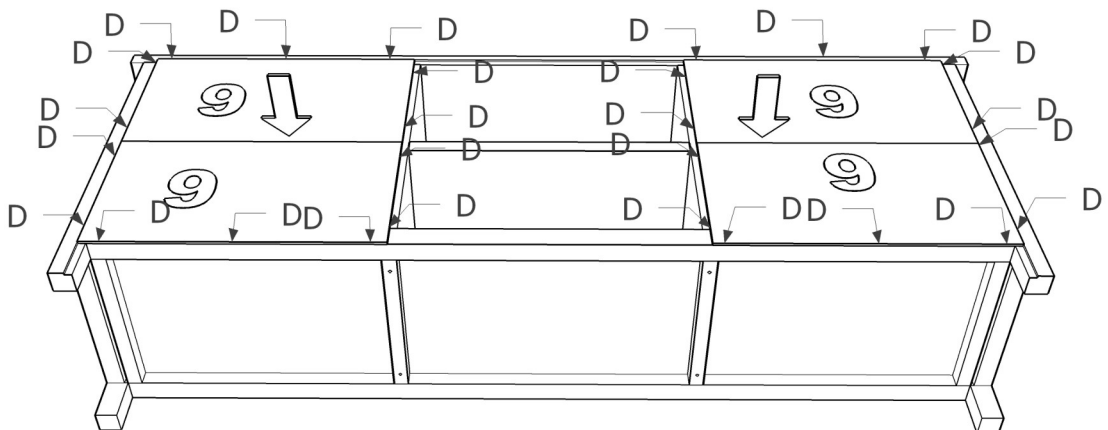
A = x4  
Dowel

7



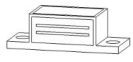
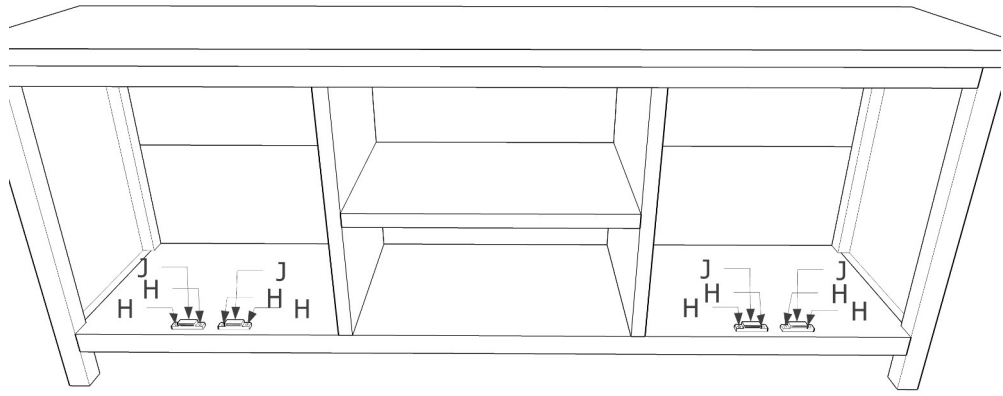
B = x11  
40mm Screw

8



D = x28  
Nail

9



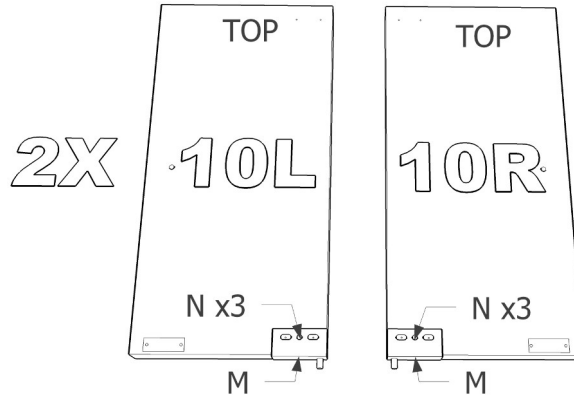
J = x4  
Mag. Catch



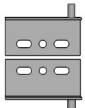
H = x8  
15mm screw

10

BACK SIDE OF DOORS

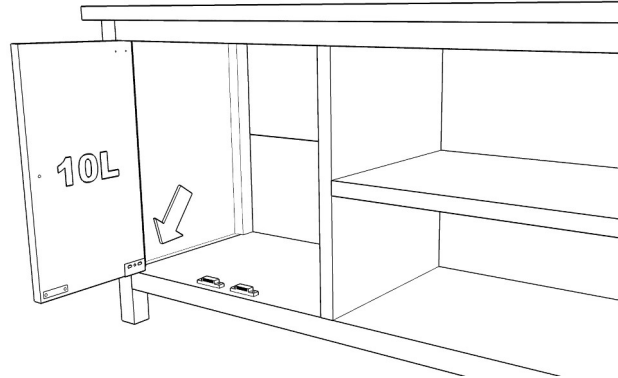


N = 12x  
Hinge screw

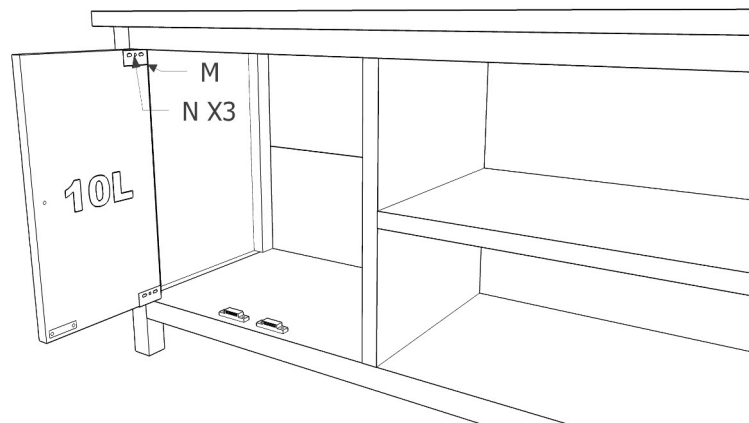


M = 2x  
Hinge Pair Set

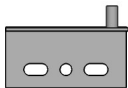
11



12



N = 3x  
Hinge screw



M = 1x  
Hinge

**REPEAT STEPS 11 & 12 TO FIT OTHER DOORS**

IF A DOOR NEEDS ADJUSTING ITS POSITION, SIMPLY LOOSEN THE HINGE SCREWS AND REPOSITION DOOR AS REQUIRED

13



F = x4  
Bolt



G = x4  
Handle

