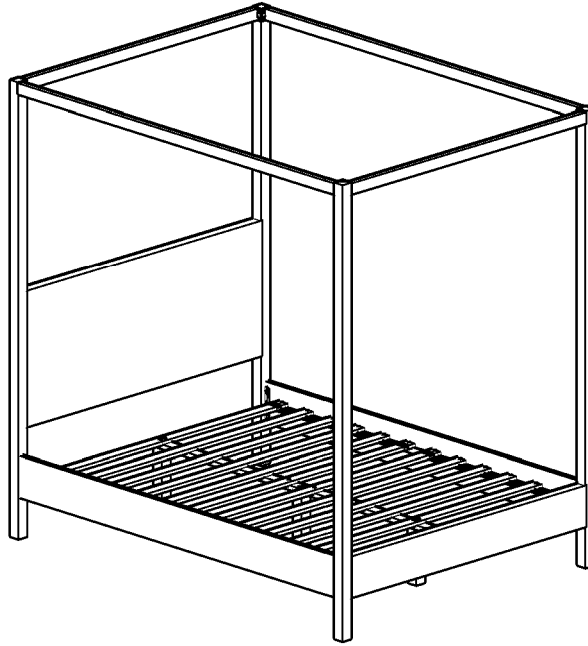
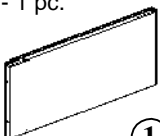

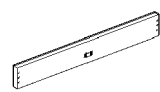


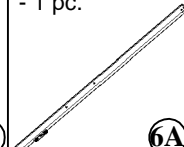




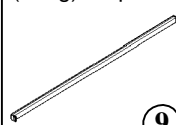
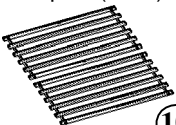





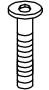


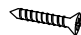
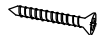
ASSEMBLY INSTRUCTIONS



COMPONENT

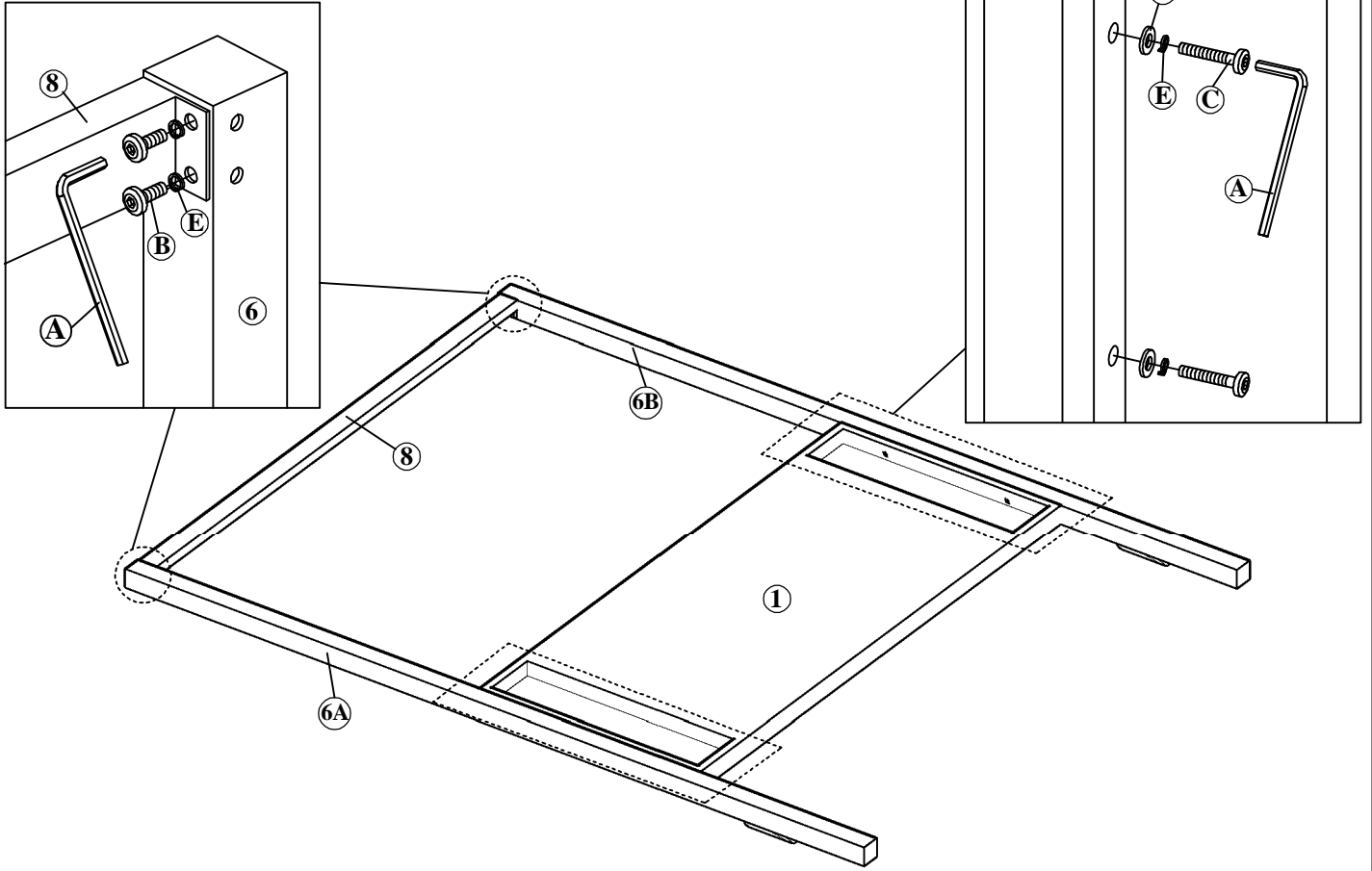
<p>Headboard - 1 pc.</p>  <p>①</p>	<p>Side Rail - 2 pcs.</p>  <p>②</p>	<p>Footboard - 1 pc.</p>  <p>③</p>	<p>Center Rail - 1 pc.</p>  <p>④</p>	<p>Center Leg - 3 pcs.</p>  <p>⑤</p>	<p>Bed Post (HB R) - 1 pc.</p>  <p>⑥A</p>	<p>Bed Post (HB L) - 1 pc.</p>  <p>⑥B</p>	<p>Bed Post (FB R) - 1 pc.</p>  <p>⑦A</p>
<p>Bed Post (FB L) - 1 pc.</p>  <p>⑦B</p>	<p>Upper Rail (Short) - 2 pcs.</p>  <p>⑧</p>	<p>Upper Rail (Long) - 2 pcs.</p>  <p>⑨</p>	<p>Slat - 12 pcs. (2 set)</p>  <p>⑩</p>				

HARDWARE

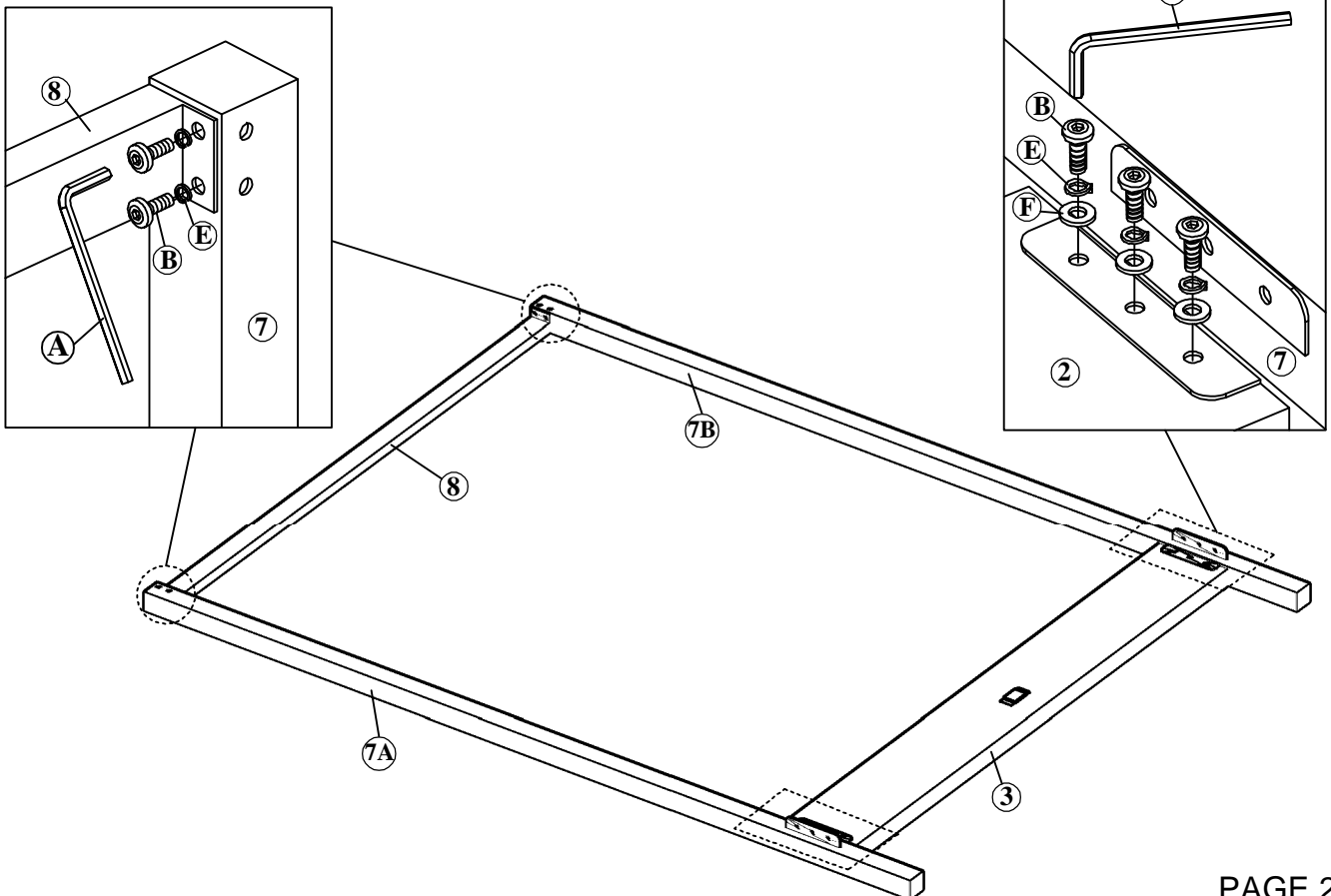
<p>Allen Key M4 - 1 pc.</p>  <p>Ⓐ</p>	<p>JCBC Bolt M6 x 16mm (Black) - 34 pcs.</p>  <p>Ⓑ</p>	<p>JCBC Bolt M6 x 40mm - 6 pcs.</p>  <p>Ⓒ</p>	<p>JCBC Bolt M6 x 50mm - 4 pcs.</p>  <p>Ⓓ</p>	<p>M6 Spring Washer (Black) - 38 pcs.</p>  <p>Ⓔ</p>	<p>M6 Flat Washer (Black) - 22 pcs.</p>  <p>Ⓕ</p>	<p>Wood Screw M4 x 20mm - 1 pc.</p>  <p>Ⓖ</p>	<p>Wood Screw M4 x 25mm - 27 pcs.</p>  <p>Ⓗ</p>
---	---	--	--	--	--	--	--

ASSEMBLY INSTRUCTIONS

STEP 1 :

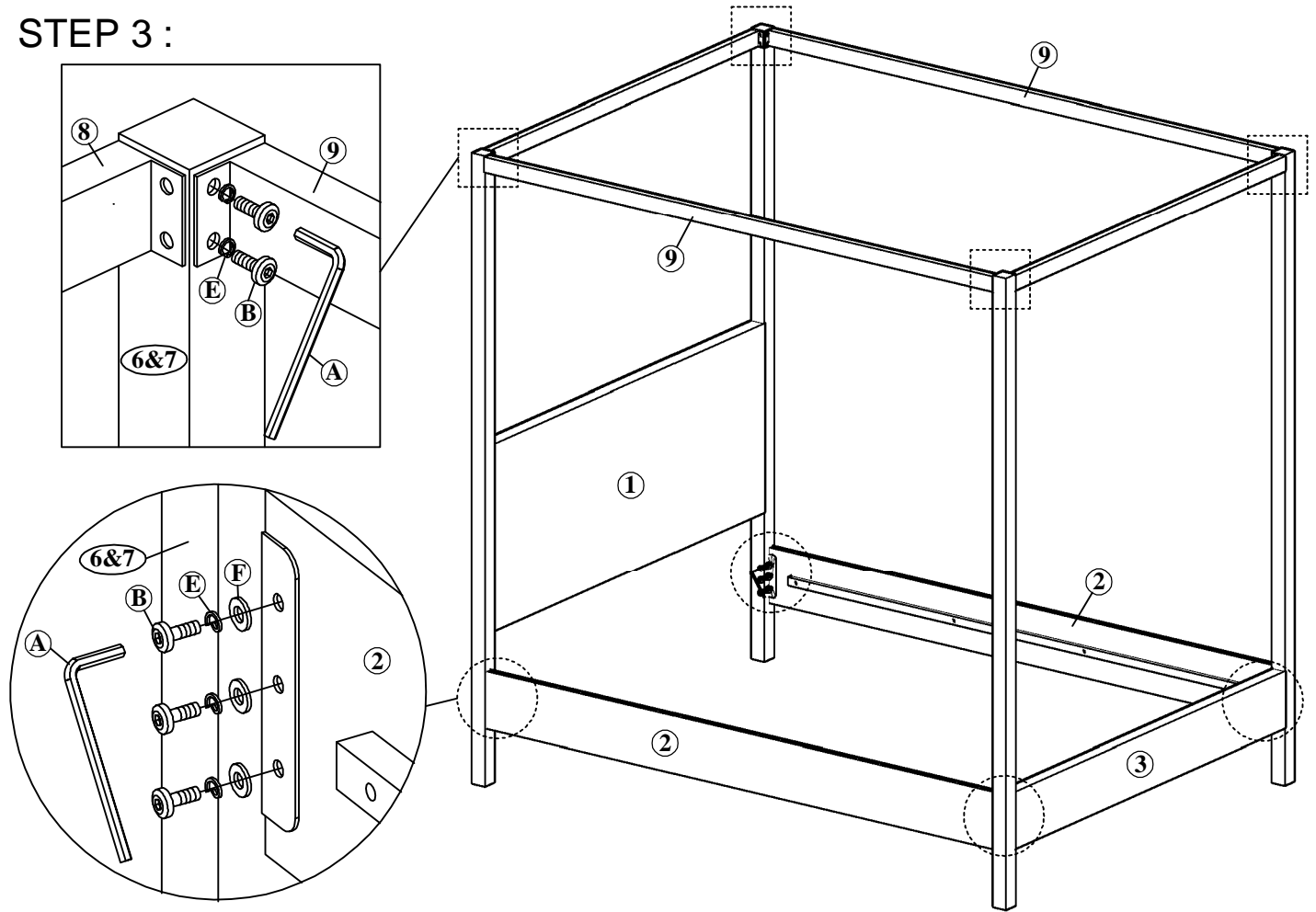


STEP 2 :

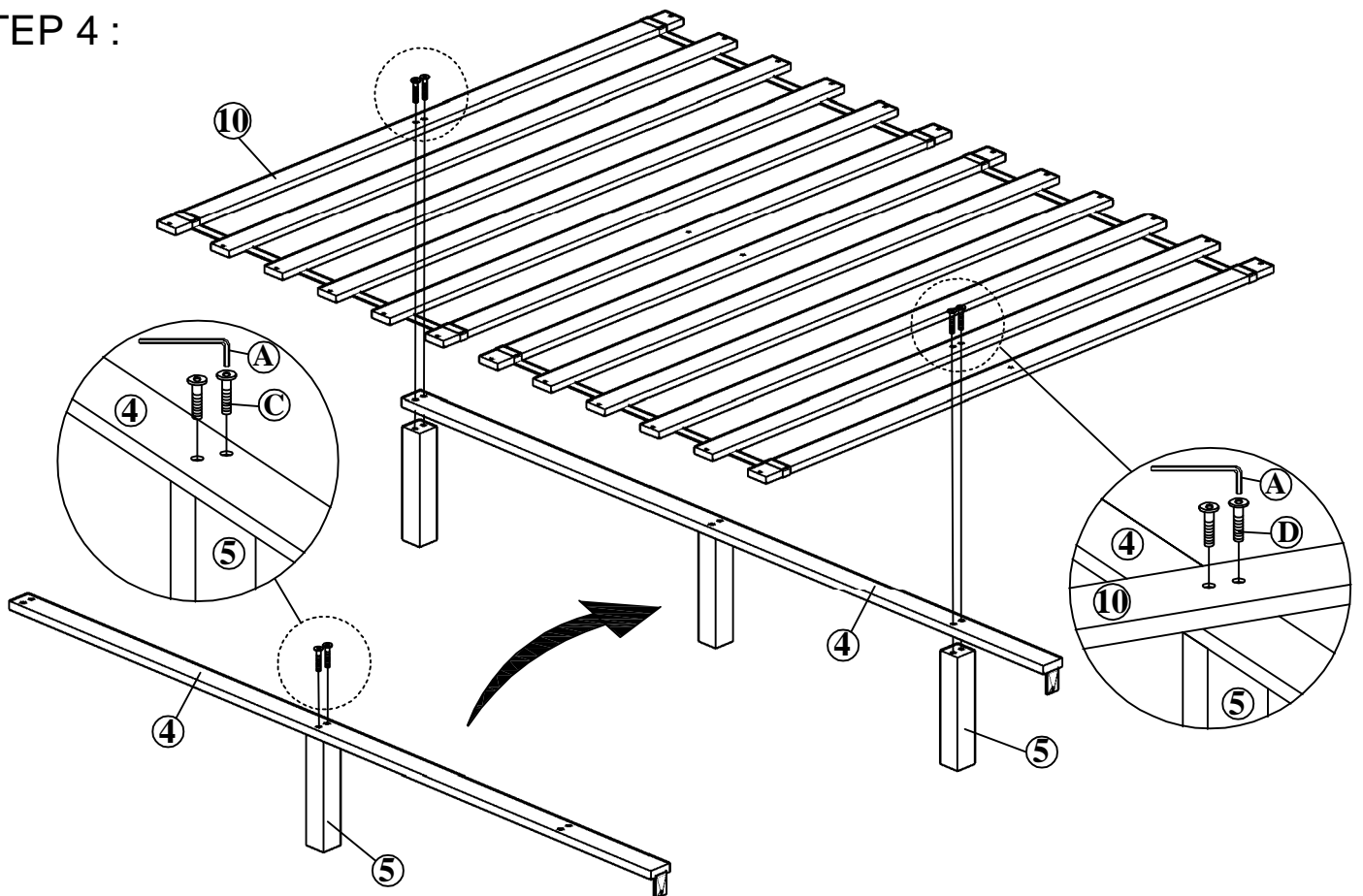


ASSEMBLY INSTRUCTIONS

STEP 3 :

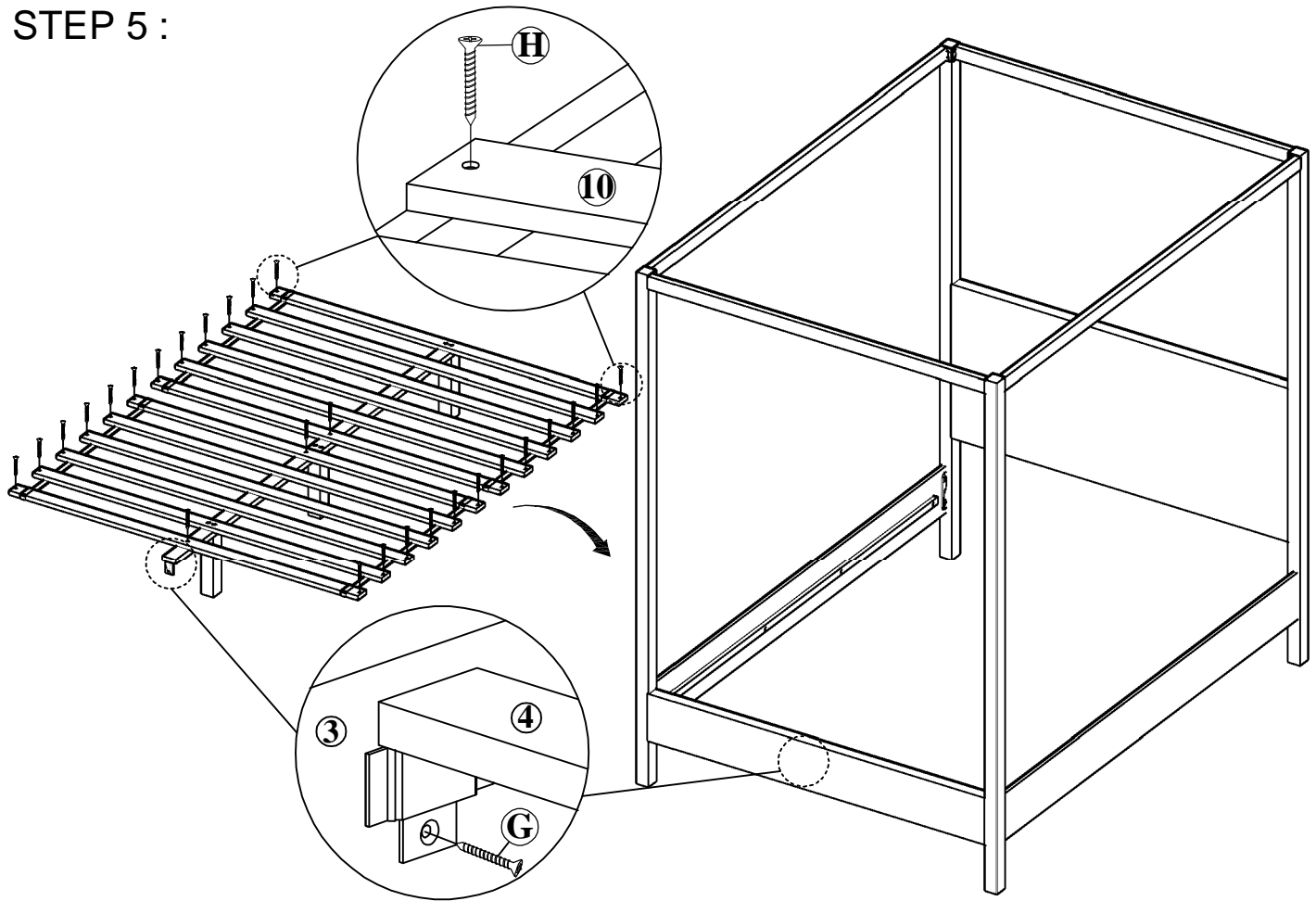


STEP 4 :



ASSEMBLY INSTRUCTIONS

STEP 5 :



COMPLETE VIEW

IMPORTANT

To move the bed please lift up
with 2 or more people.

DO NOT DRAG ON FLOOR!

