


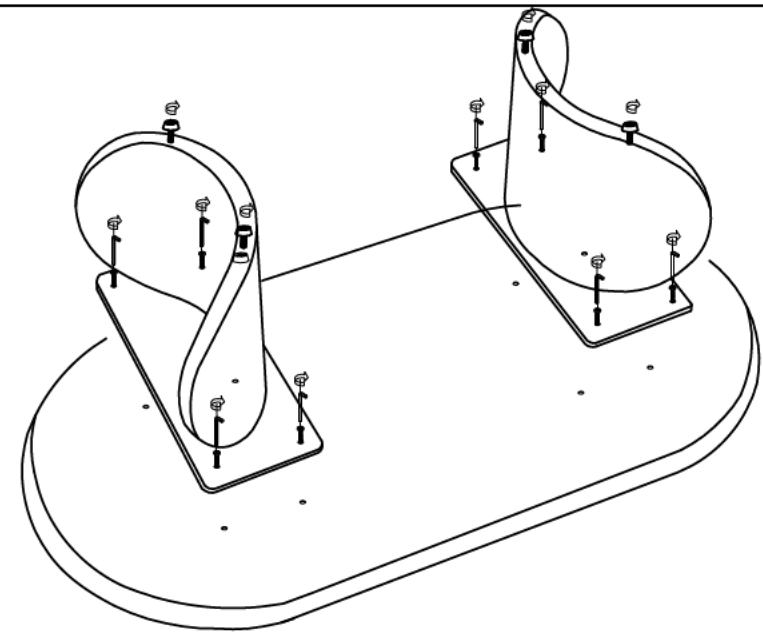


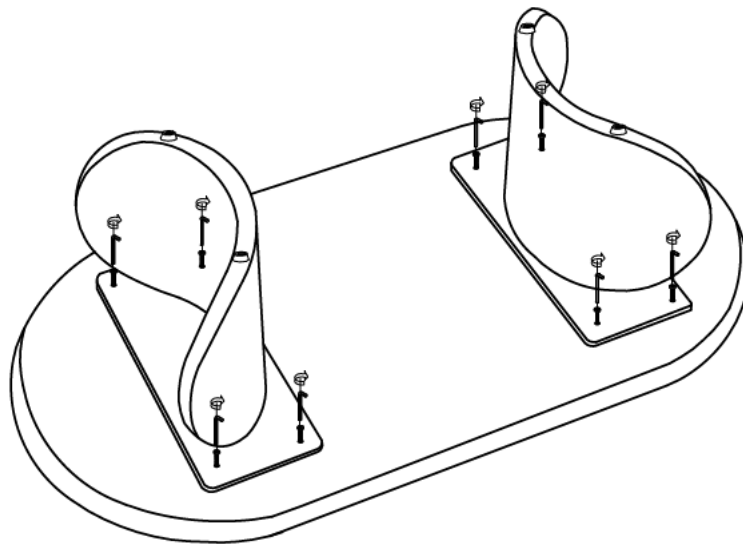
# Installation & assembly

## Hardware Pack

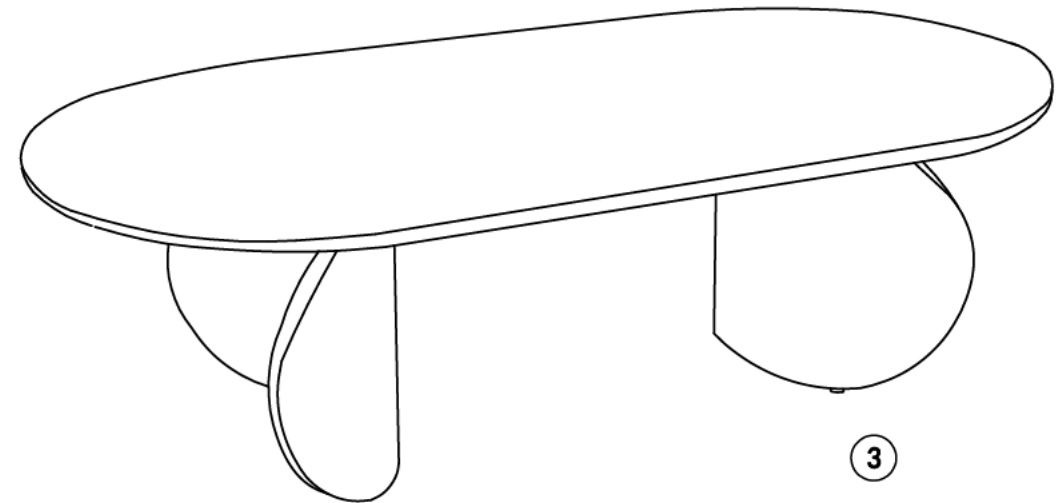
Name	Shape	QTY	Name	Shape	QTY
socket wrench		1	M8*25 Guide screw		8
Rubber foot		4			



①



②



③

① Glass countertopx1 , table legx2

③ Set the table upright,  
completing the installation

② Turn the table top over and screw into the  
holes in the bottom of the table top and  
then into the holes in the base.