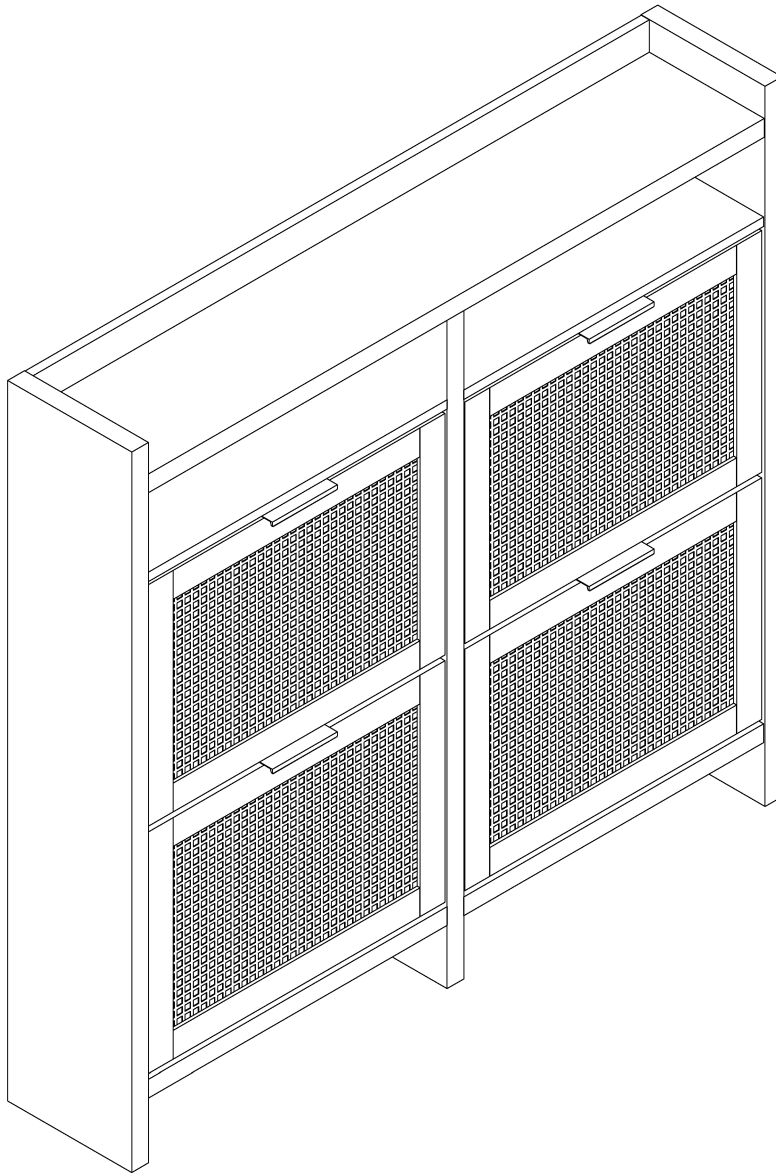


Assembling Instruction

Assembly Instructions

Generating Drawings



Because it's a narrow cabinet, it must permanently fixed to the wall with included anti-tipping device to prevent the cabinet from tipping over. It will be very stable and safe when locked on the wall.

ATTENTION

If there is any missing, please kindly send us messages to let us know the name of missing part regarding to the first page of instructions.

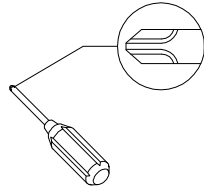
We will send replacement to you asap. We are concerned about each customer's experience, if there is any loss or damage, please contact us at any time, we will provide effective solutions.

Please attach your Oder ID so that we can assist you better.

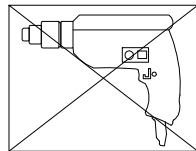


General Assembly Guidelines

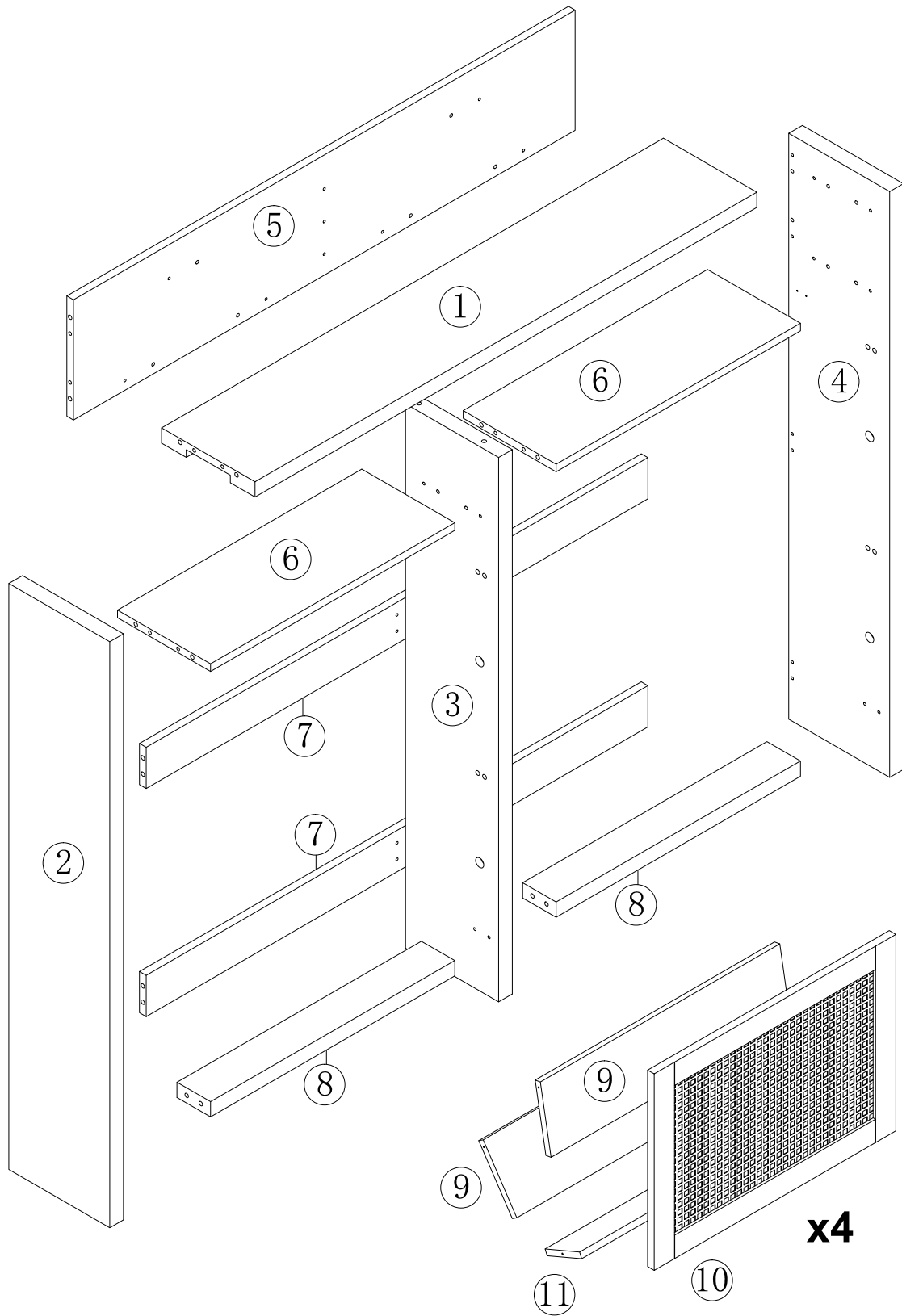
- I. Ensure that all parts and hardware are available before beginning assembly.
- II. Follow each step carefully to ensure the proper assembly of this product.
- III. Two people are recommended for ease in the assembly of this product.
- IV. The three main types of hardware used to assemble this product are : wood dowels , screws and bolts.
- VI . A Phillips head screwdriver is required for the assembly of this product.




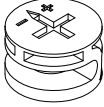


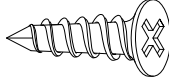
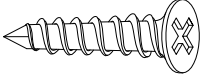
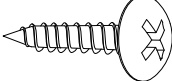
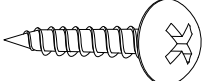
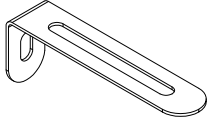
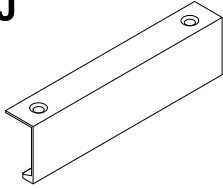

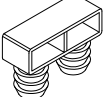

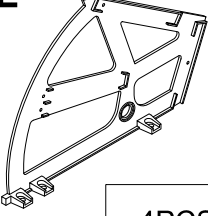
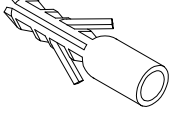
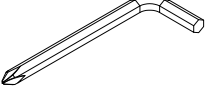
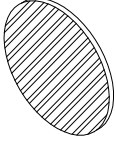
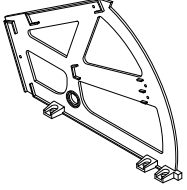
- VII . Power tools should not be used to assemble this product.

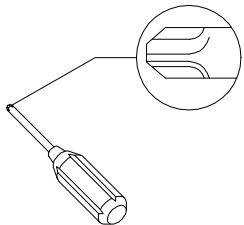


Parts List



HARDWARE PACK CONTENT

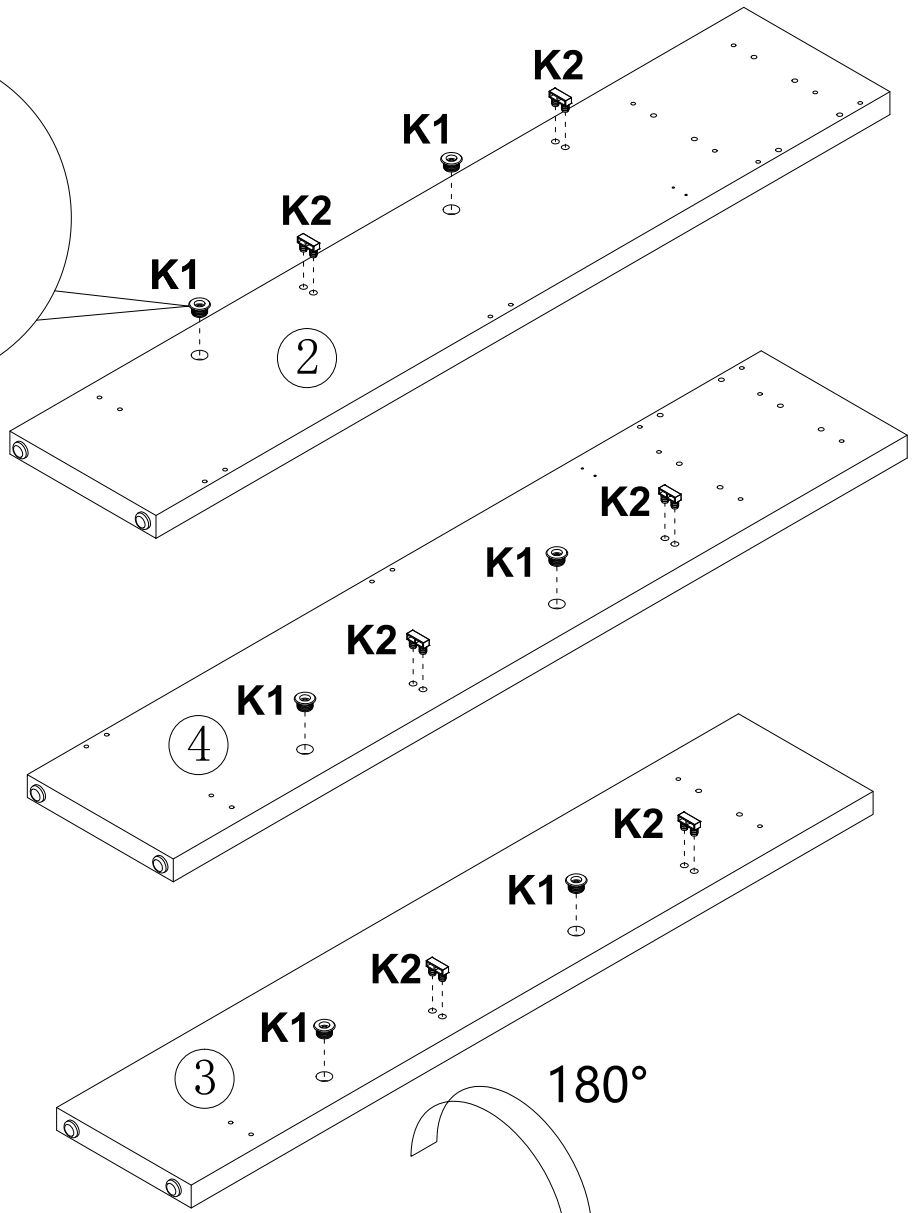
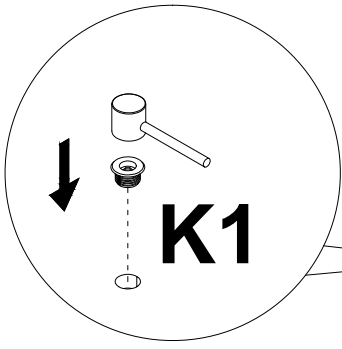
<p>A</p>  <p>M6x35mm 34+4PCS</p>	<p>B</p>  <p>Ø15x9mm 34+4PCS</p>	<p>C</p>  <p>M4x40mm 15+2PCS</p>	<p>D</p>  <p>Ø6x30mm 22+3PCS</p>	<p>E</p>  <p>M3.5x12mm 8+1PCS</p>	
<p>F</p>  <p>M3.5x14mm 48+6PCS</p>	<p>G</p>  <p>M4x12mm 4+1PCS</p>	<p>H</p>  <p>M4x14mm 8+1PCS</p>	<p>I</p>  <p>2PCS</p>	<p>J</p>  <p>96mm 4PCS</p>	
<p>K</p>  <p>K1</p>  <p>K2</p>  <p>K3</p> <p>8PCS</p>			<p>L</p>  <p>4PCS</p>	<p>M</p>  <p>2PCS</p>	<p>N</p>  <p>M4mm 1PC</p>
<p>O</p>  <p>Ø12mm 34+4PCS</p>	<p>R</p>  <p>4PCS</p>				



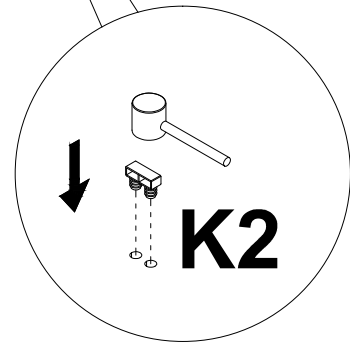
Philips head screwdriver required for assembly
(not included)


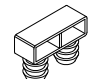
*The hardware quantities listed above are required for proper assembly.
Some extra hardware may also have been included.*

Step 1



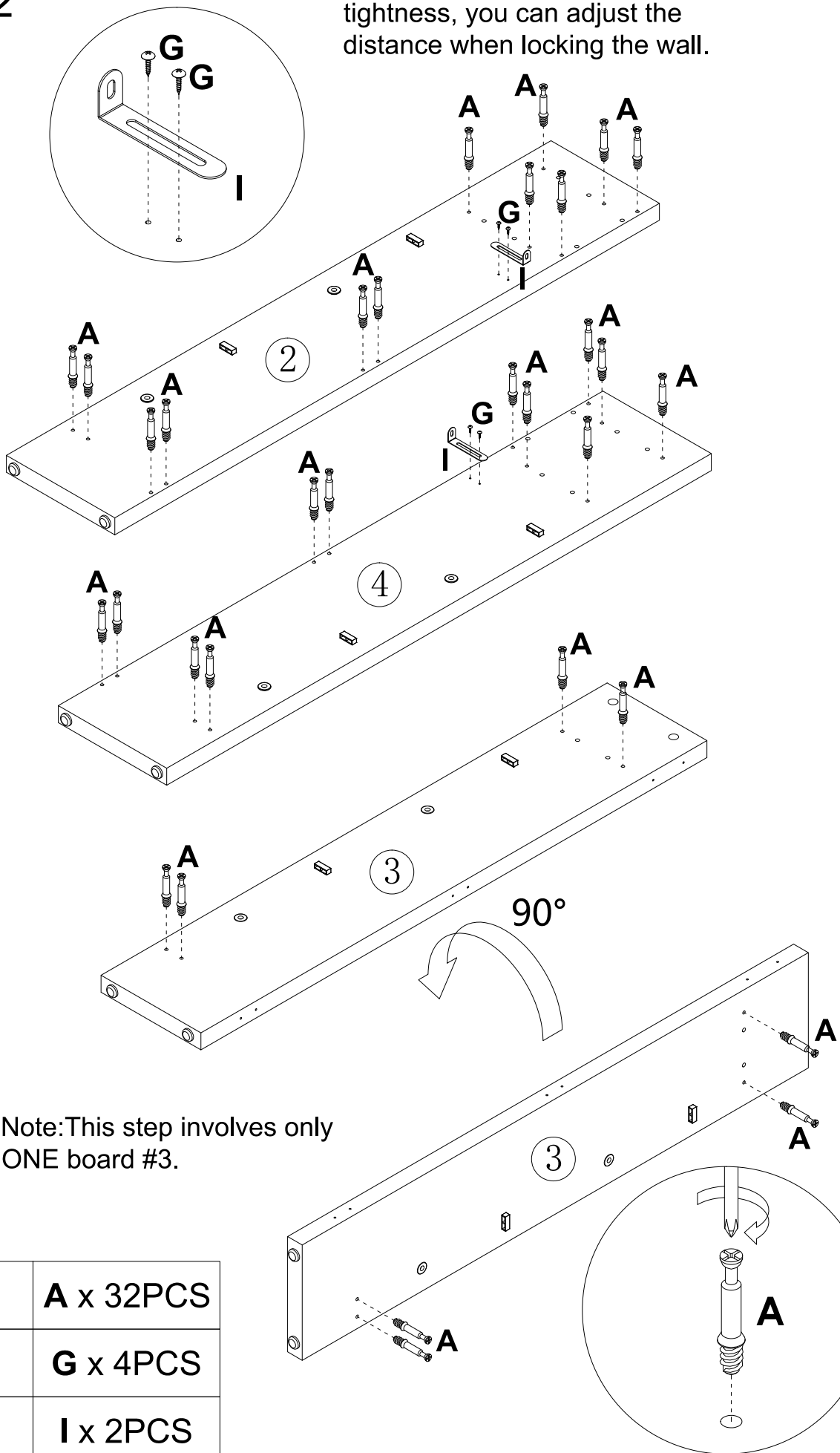
Note: This step involves only ONE board #3.



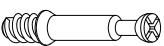
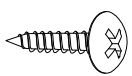
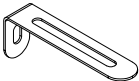
	K1 x 8PCS
	K2 x 8PCS

Step 2

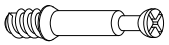
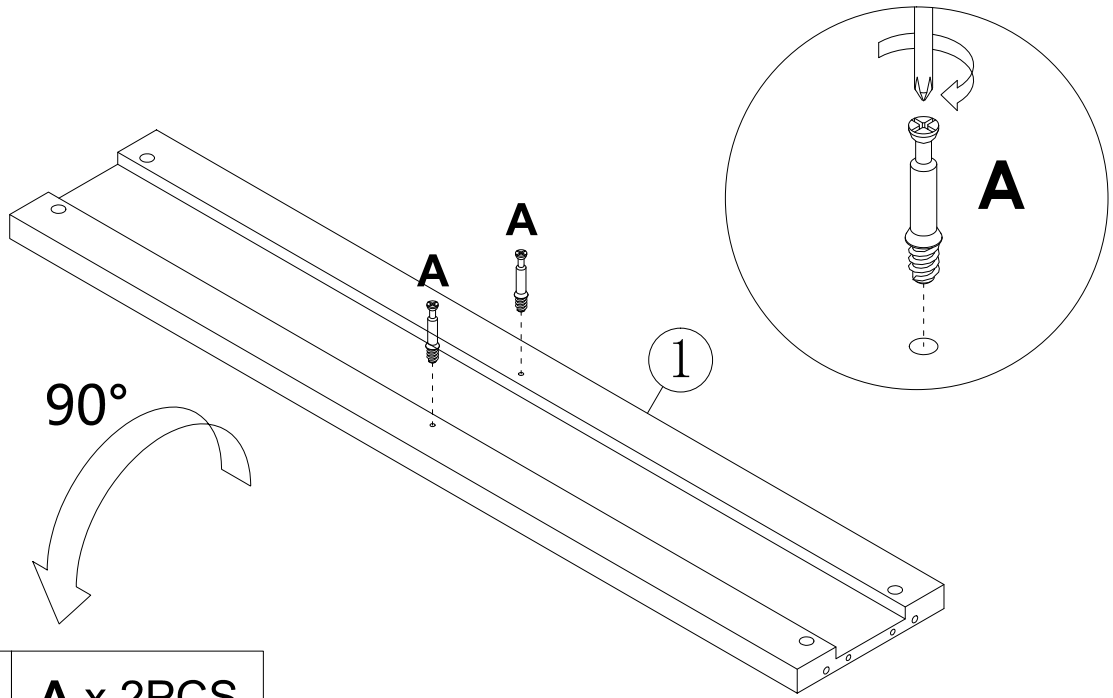
NOTE: Secure I with G to 95% tightness, you can adjust the distance when locking the wall.



Note: This step involves only ONE board #3.

	A x 32PCS
	G x 4PCS
	I x 2PCS

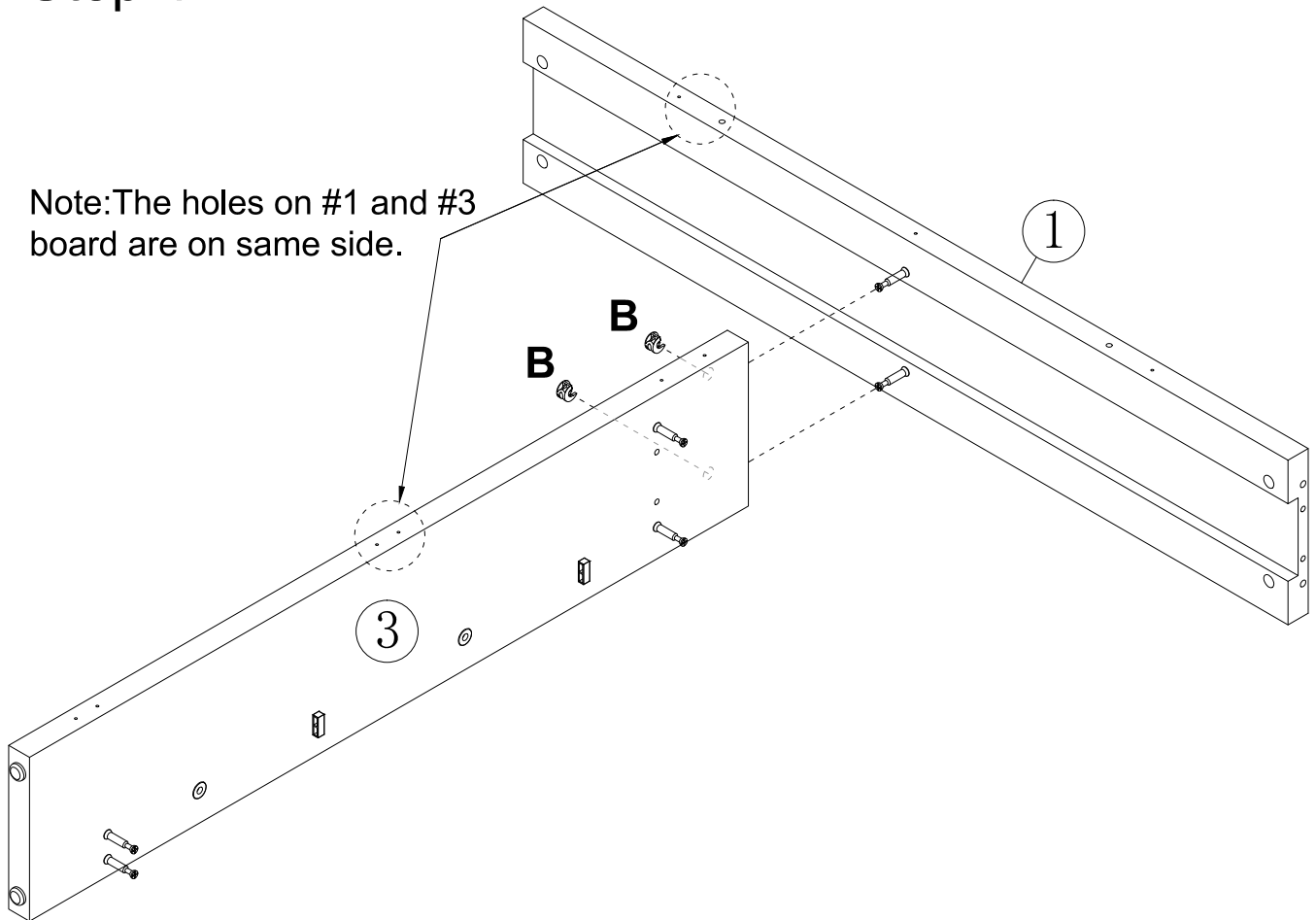
Step 3



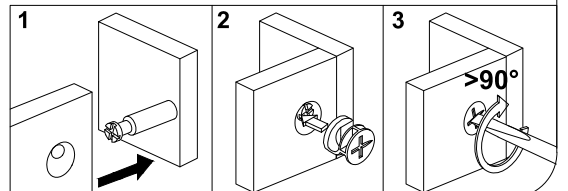
A x 2PCS

Step 4

Note: The holes on #1 and #3 board are on same side.

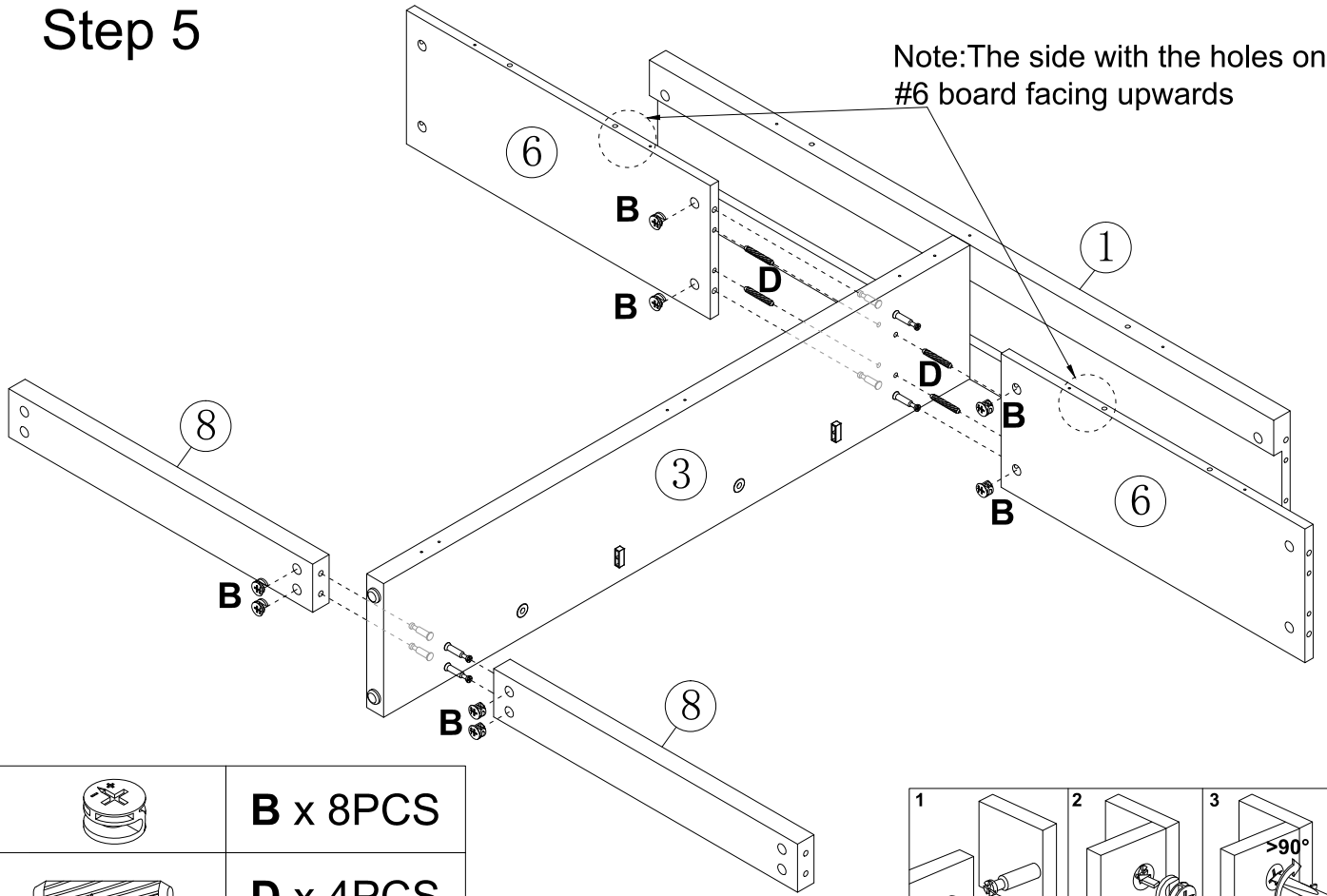


B x 2PCS



Step 5

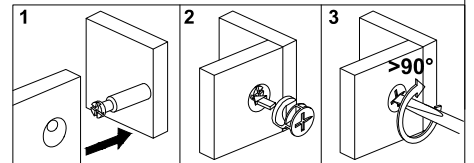
Note: The side with the holes on #6 board facing upwards



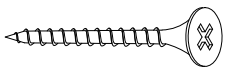
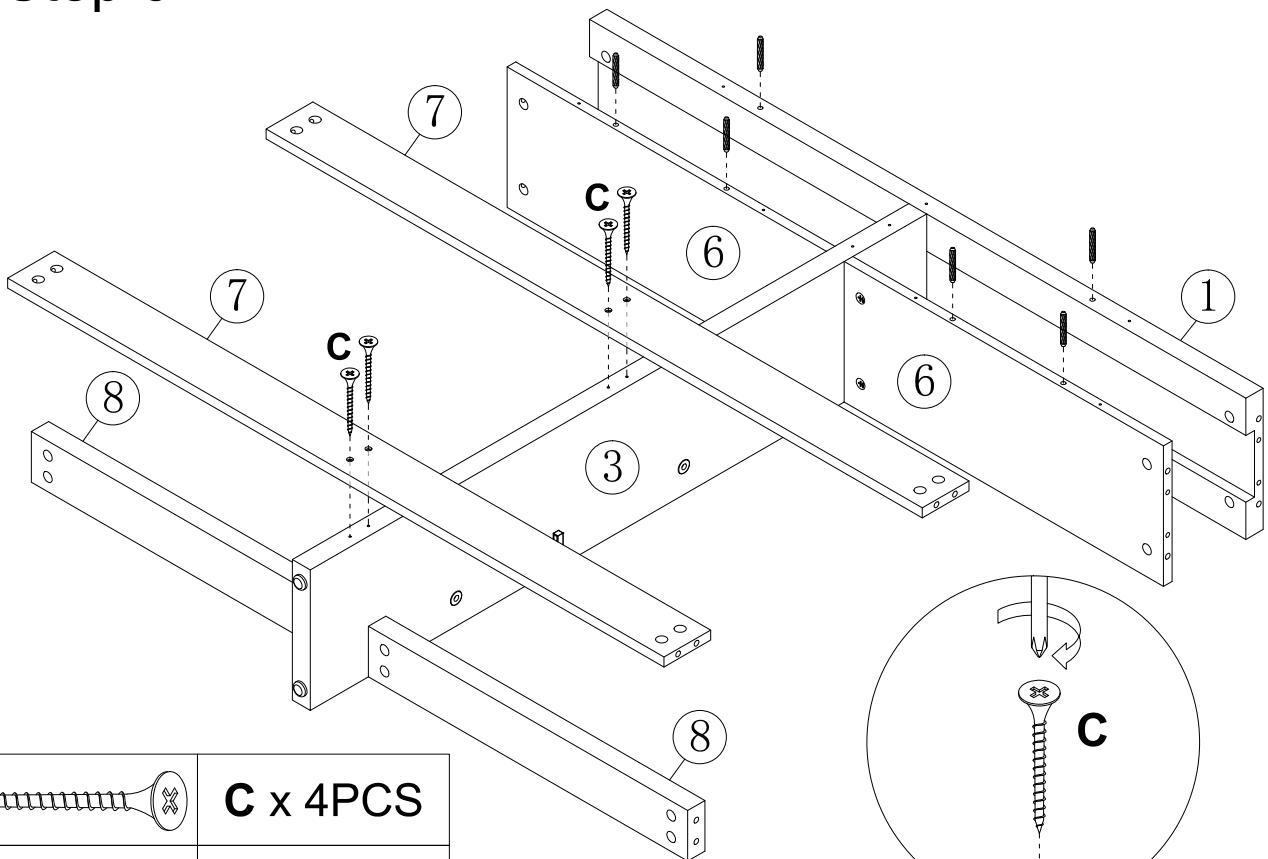
B x 8PCS



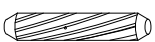
D x 4PCS



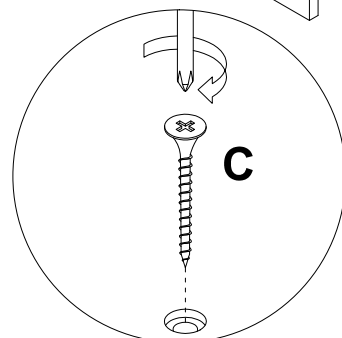
Step 6



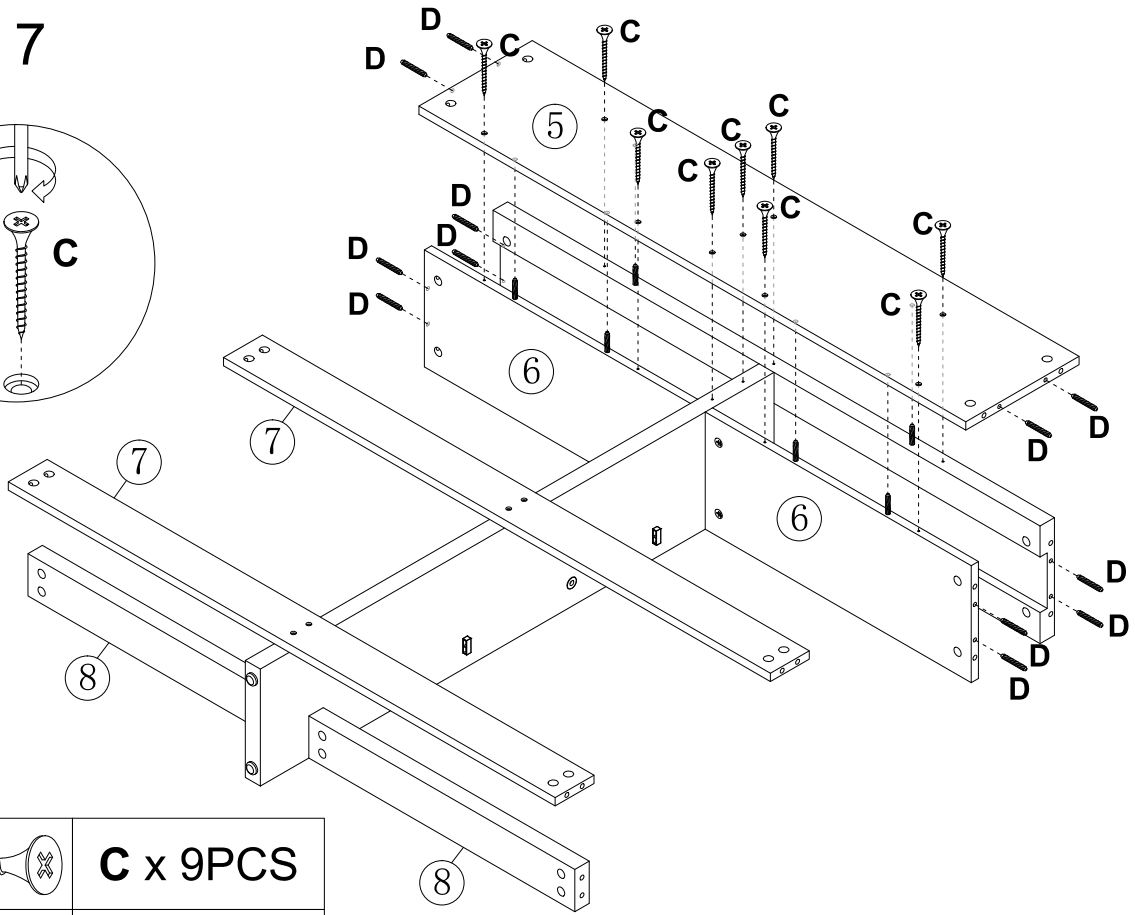
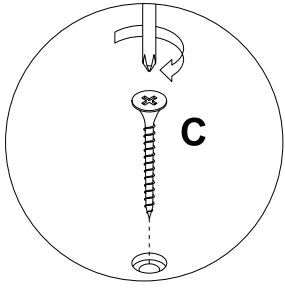
C x 4PCS



D x 6PCS



Step 7

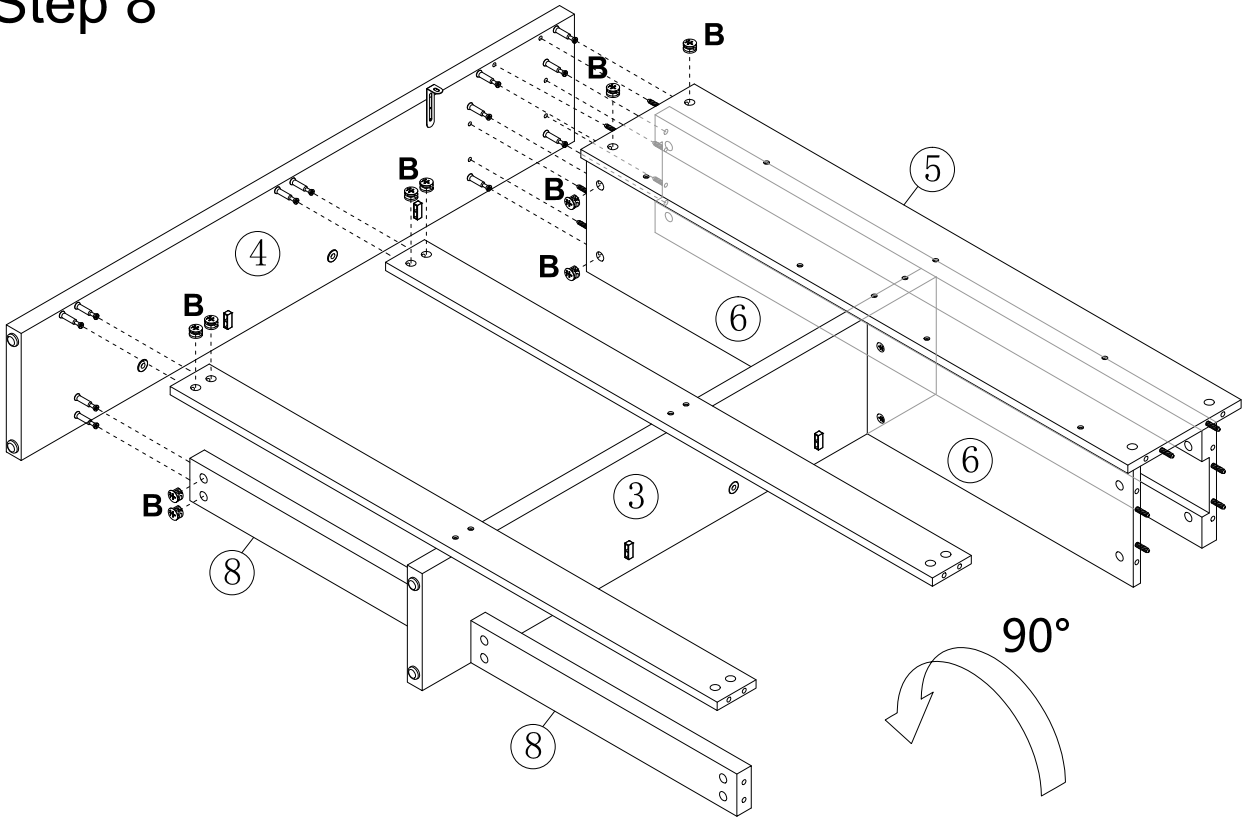


C x 9PCS

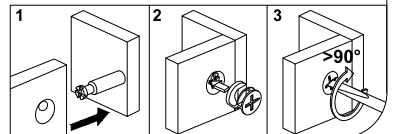


D x 12PCS

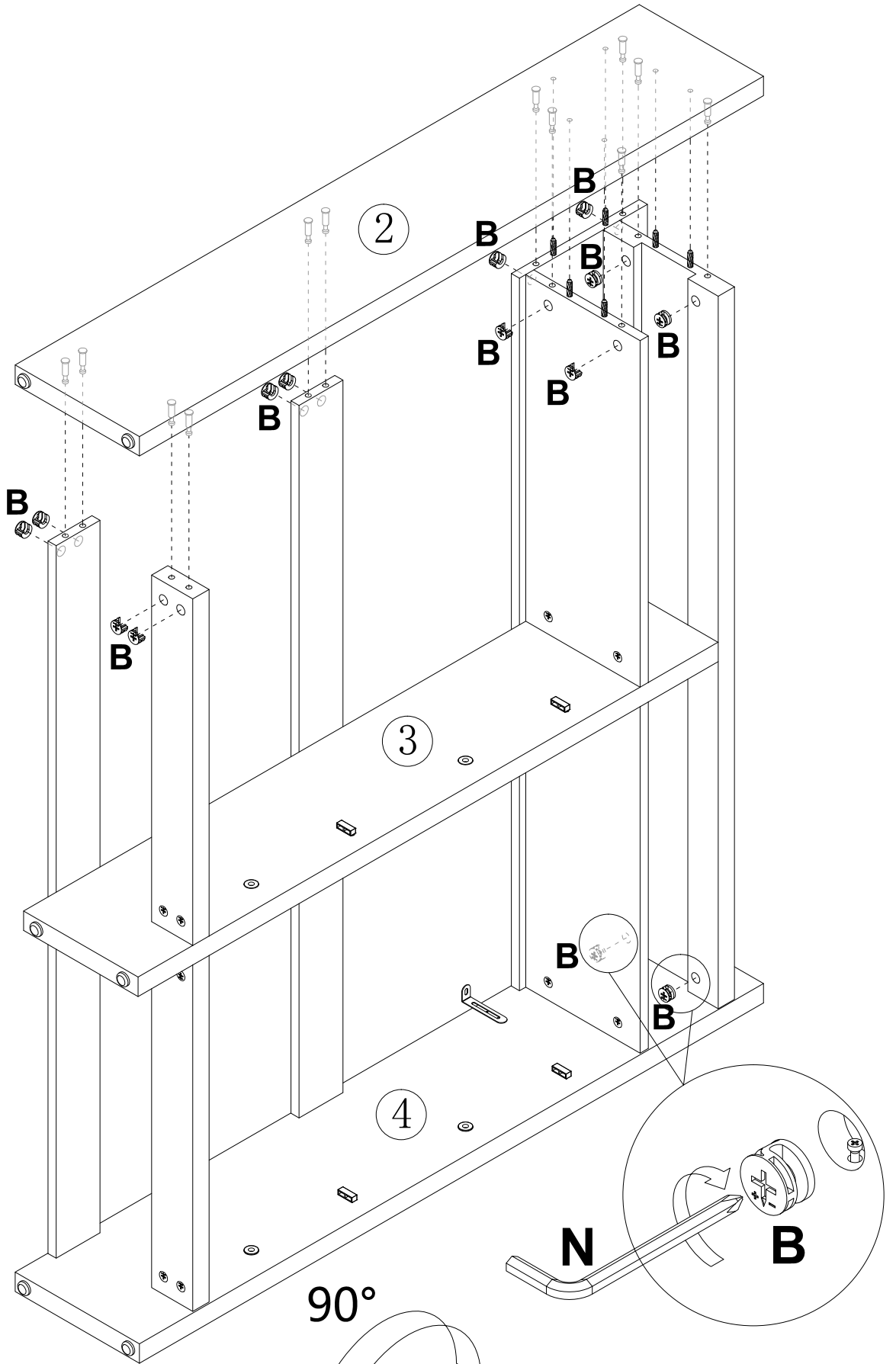
Step 8



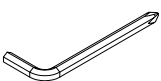
B x 10PCS



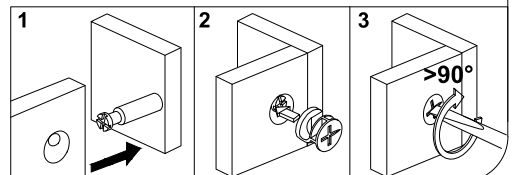
Step 9



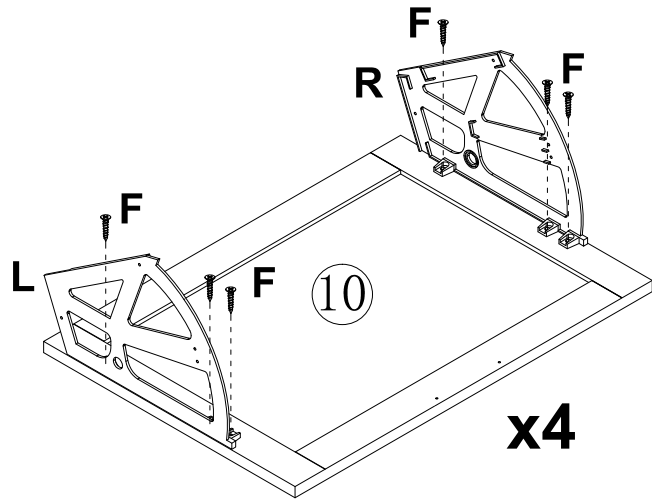
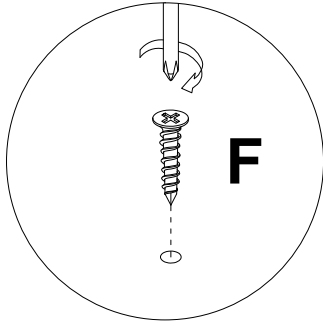
B x 14PCS



N x 1PC



Step 10



F x 24PCS

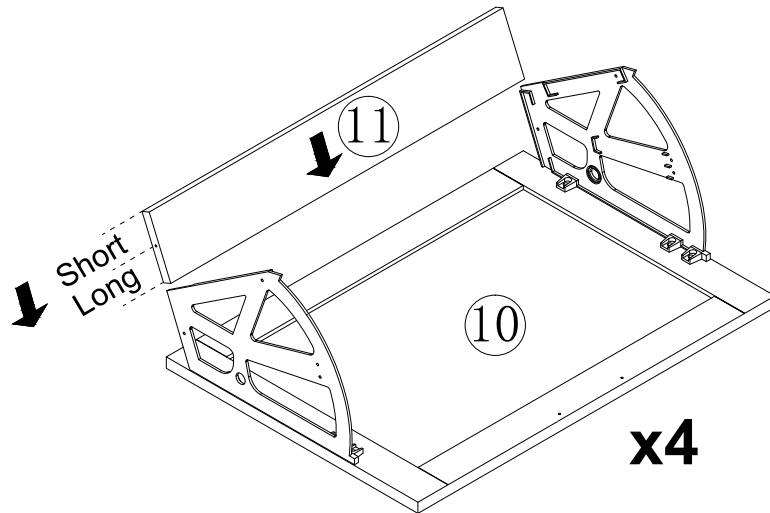


L x 4PCS

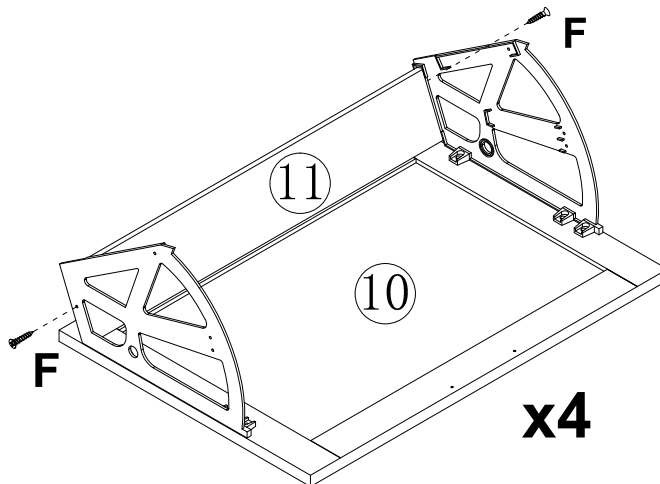
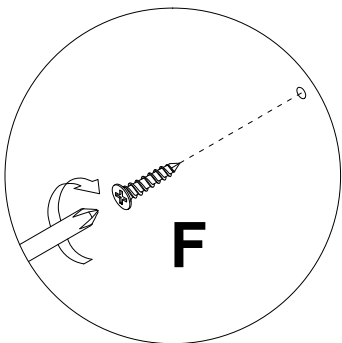


R x 4PCS

Step 11

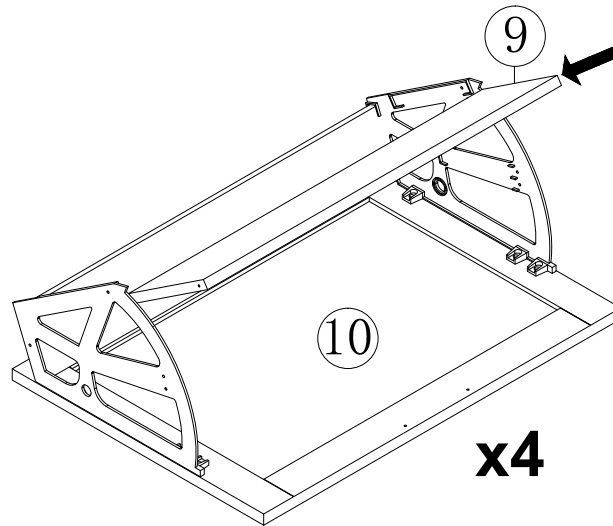


Step 12

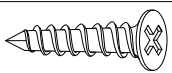
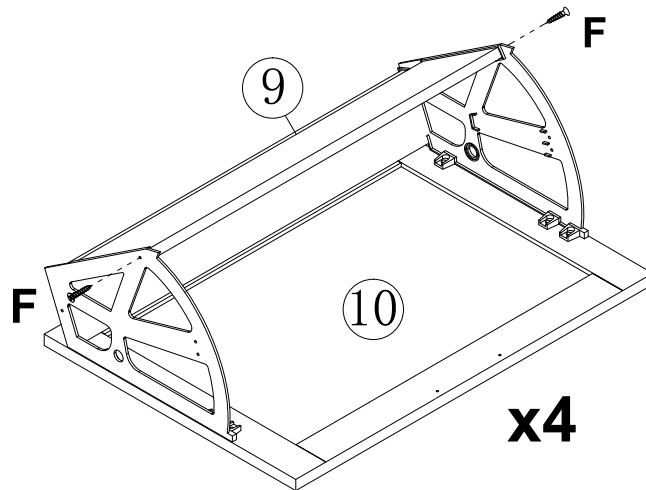
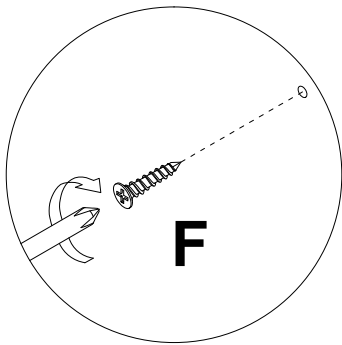


F x 8PCS

Step 13

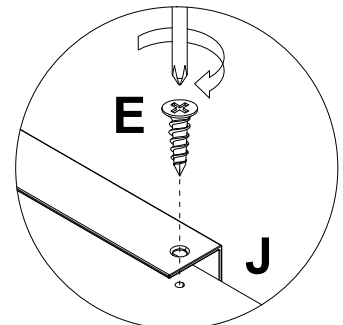
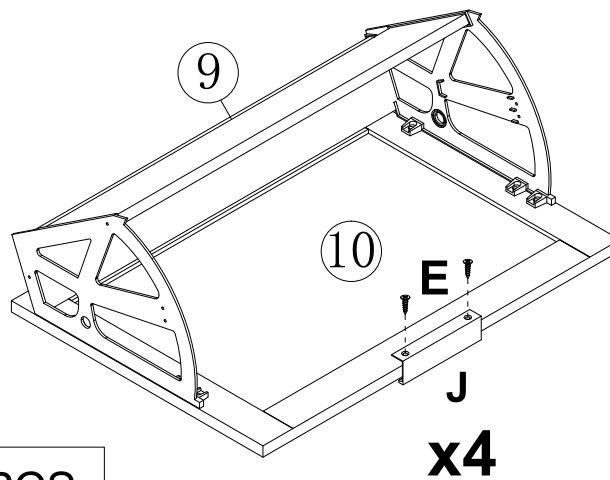


Step 14

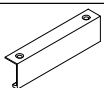


F x 8PCS

Step 15

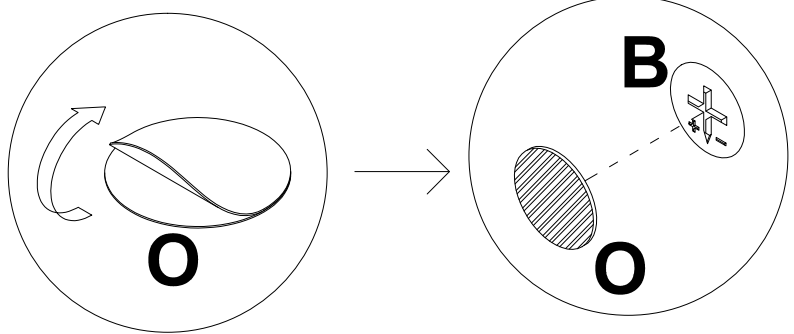
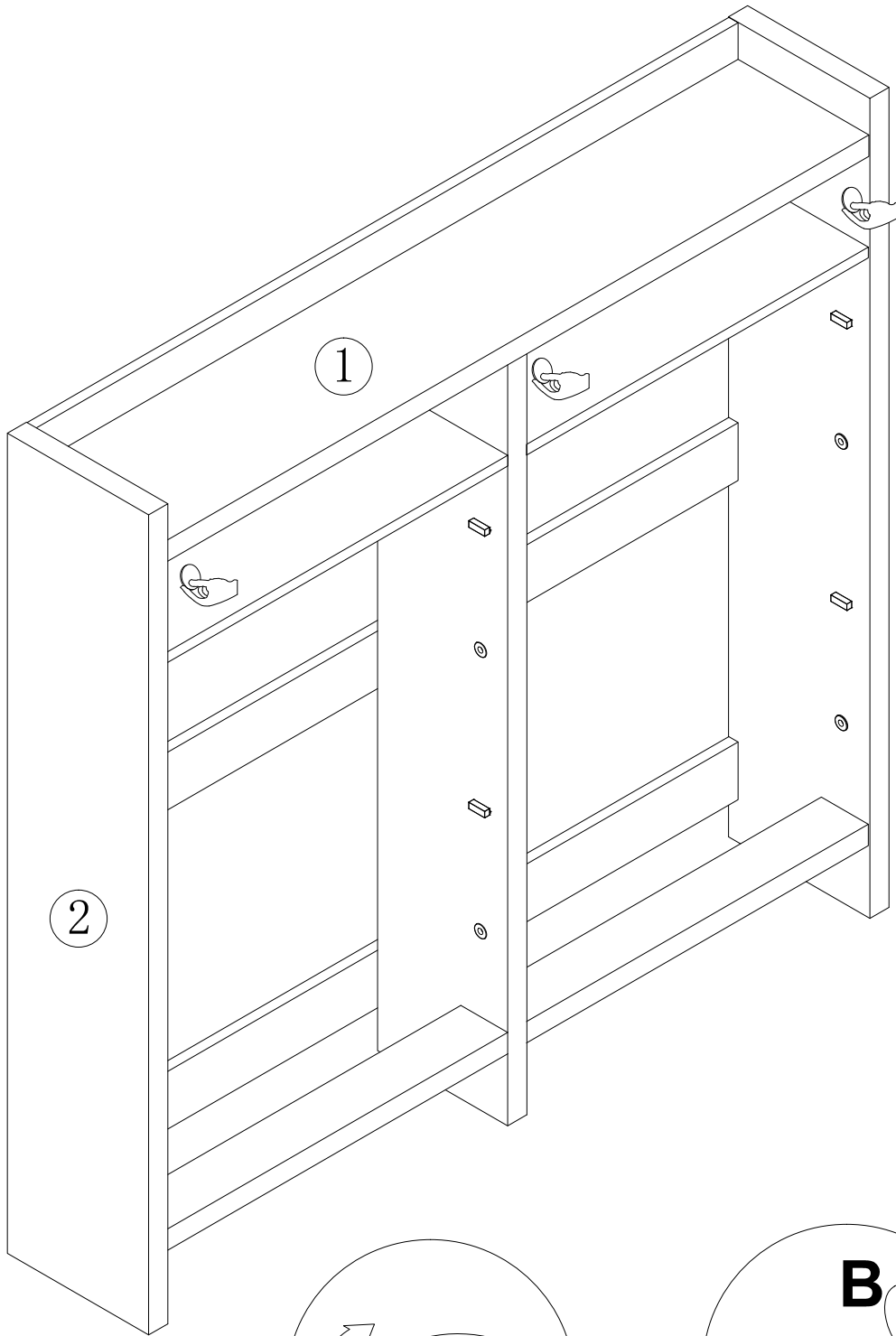


E x 8PCS



J x 4PCS

Step 16

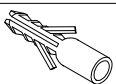
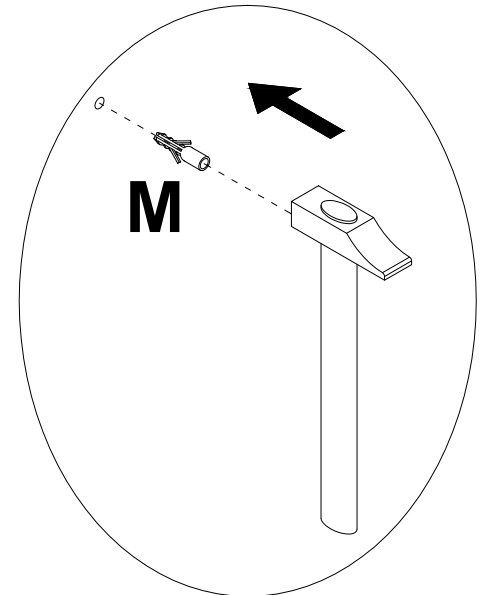
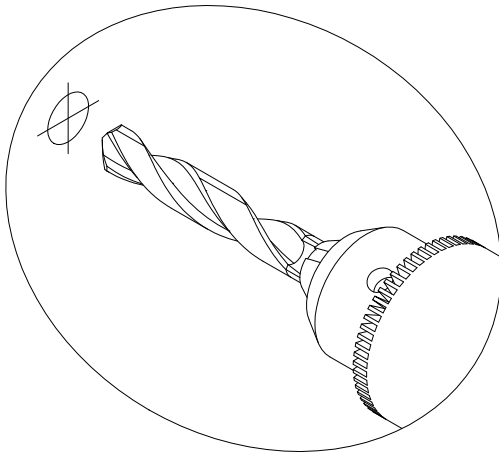
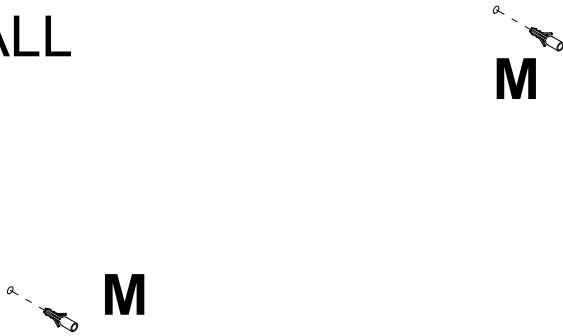


O x 34PCS

Step 17

Drill 2 holes on the wall at the required position for anti-falling device installation.

WALL



M x 2PCS

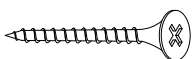
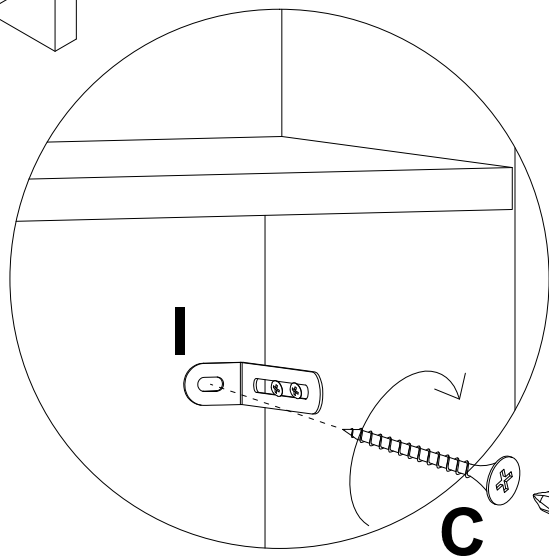
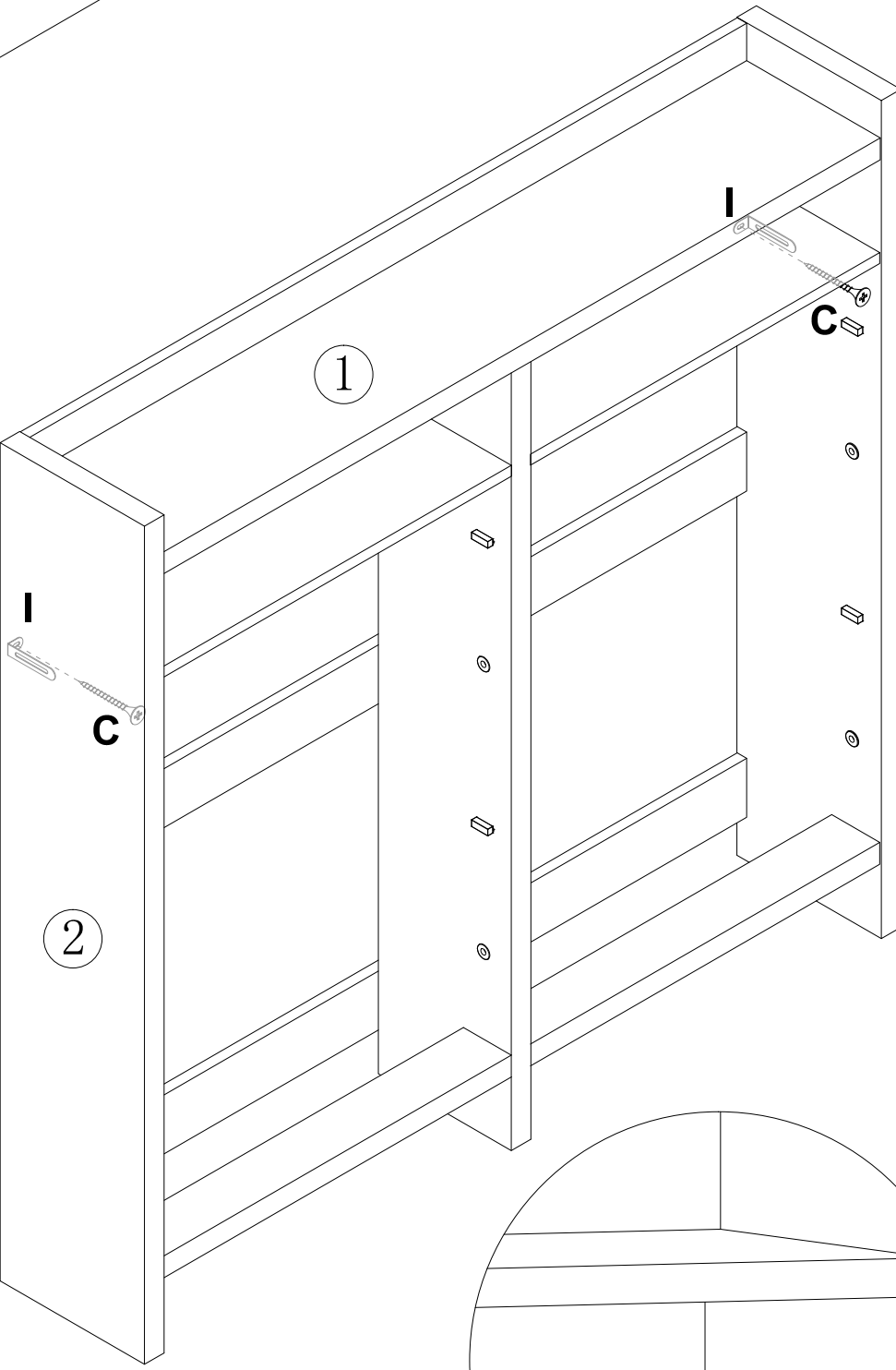
Step 18

NOTE: According to the distance between the cabinet and the wall, adjust the #I fitting to the appropriate position, and then tighten all the screws on the #I fitting.

WALL

1

2



C x 2PCS

Step 19

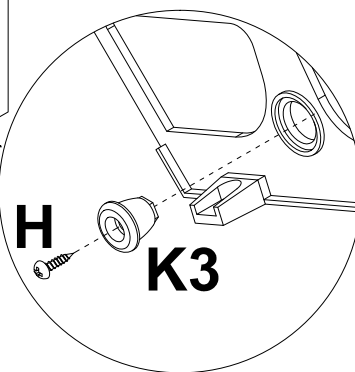
Note: This step is recommended for two people to complete together.

WALL

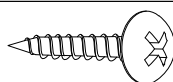
1

2

K3 H H K3



K3 x 2PCS



H x 2PCS

Step 20

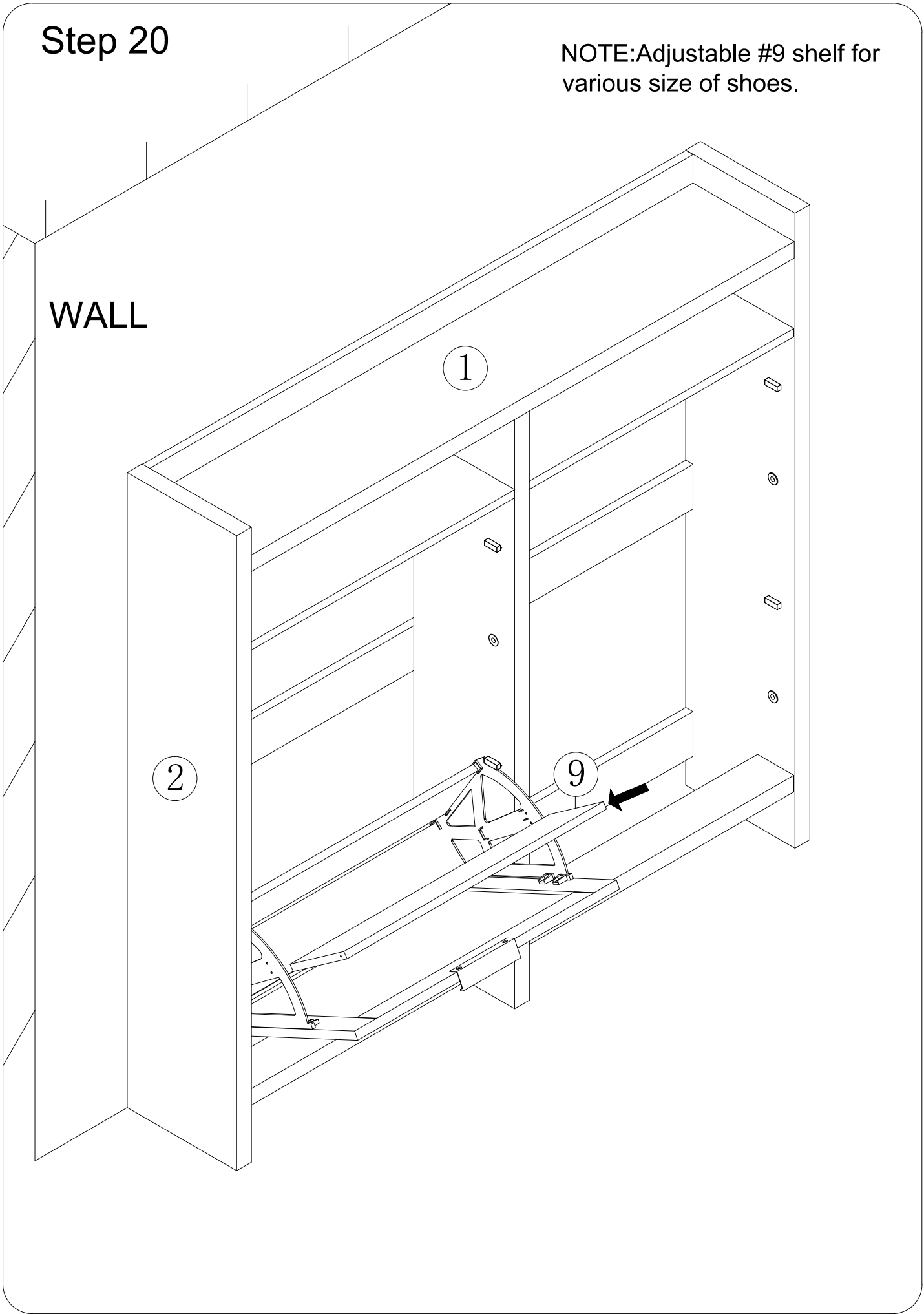
NOTE: Adjustable #9 shelf for various size of shoes.

WALL

1

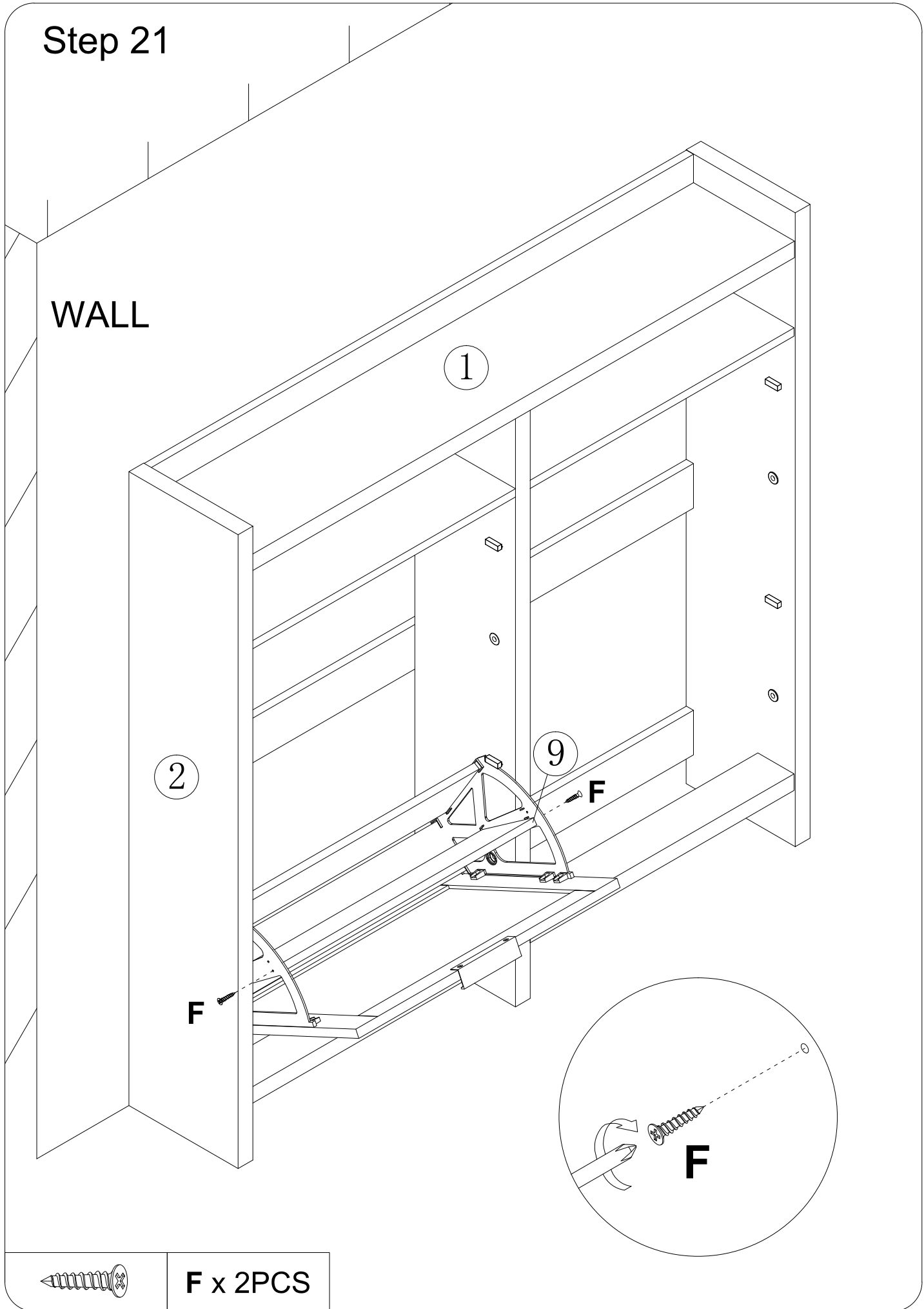
2

9



Step 21

WALL

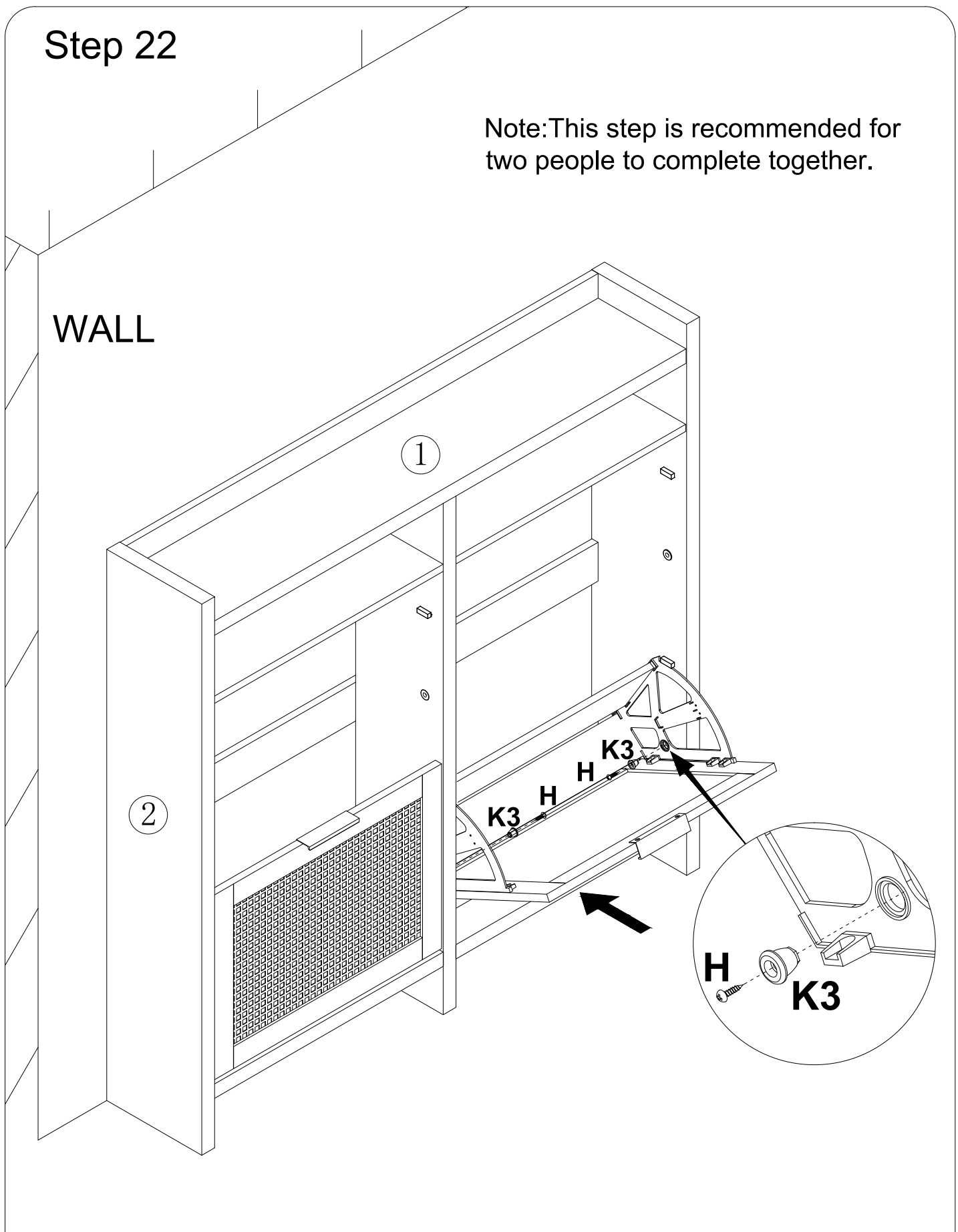


F x 2PCS

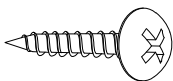
Step 22

Note: This step is recommended for two people to complete together.

WALL



K3 x 2PCS

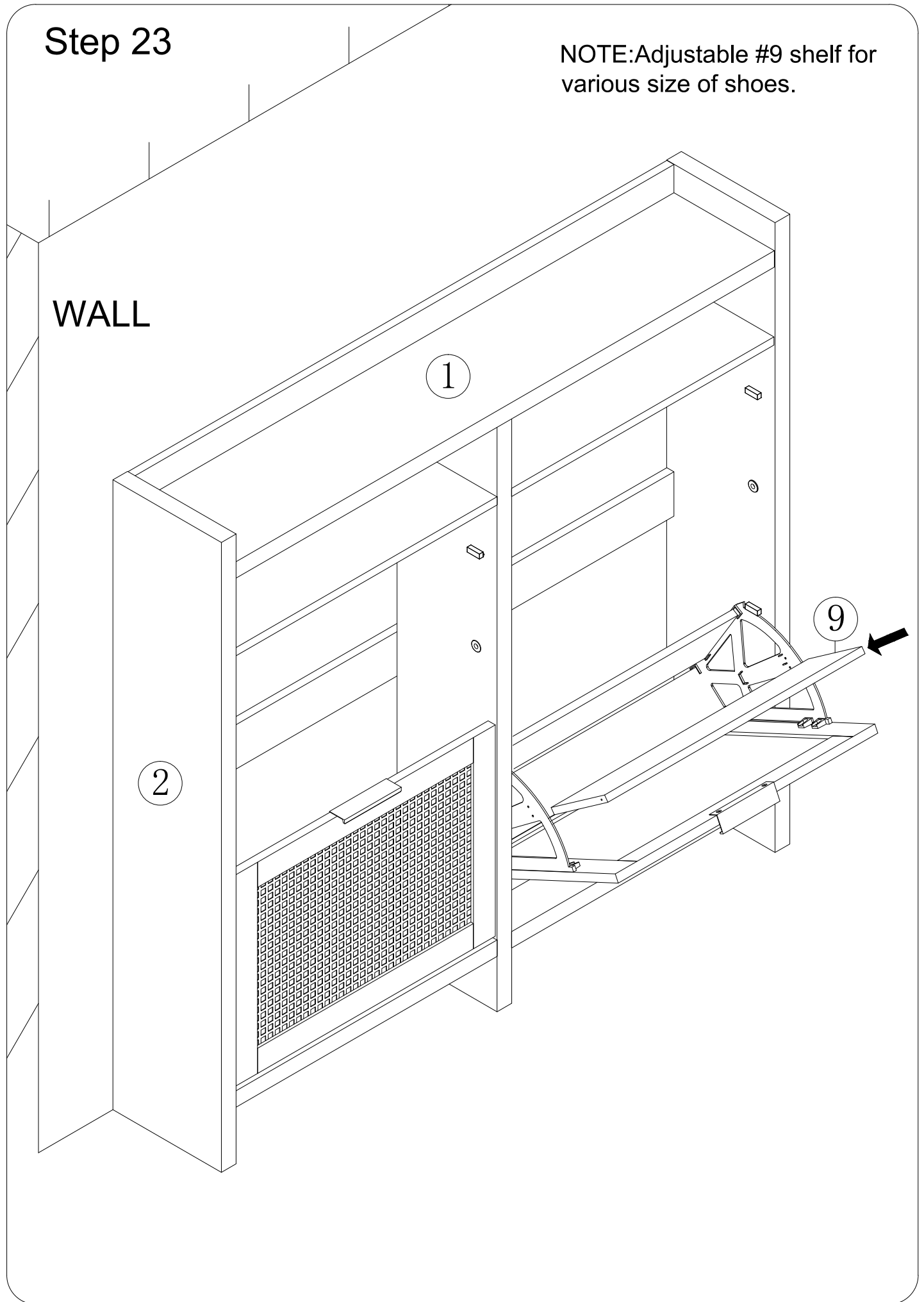


H x 2PCS

Step 23

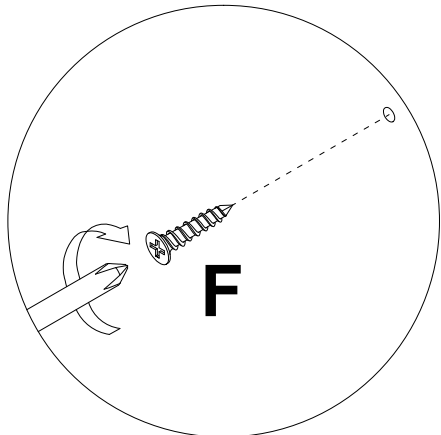
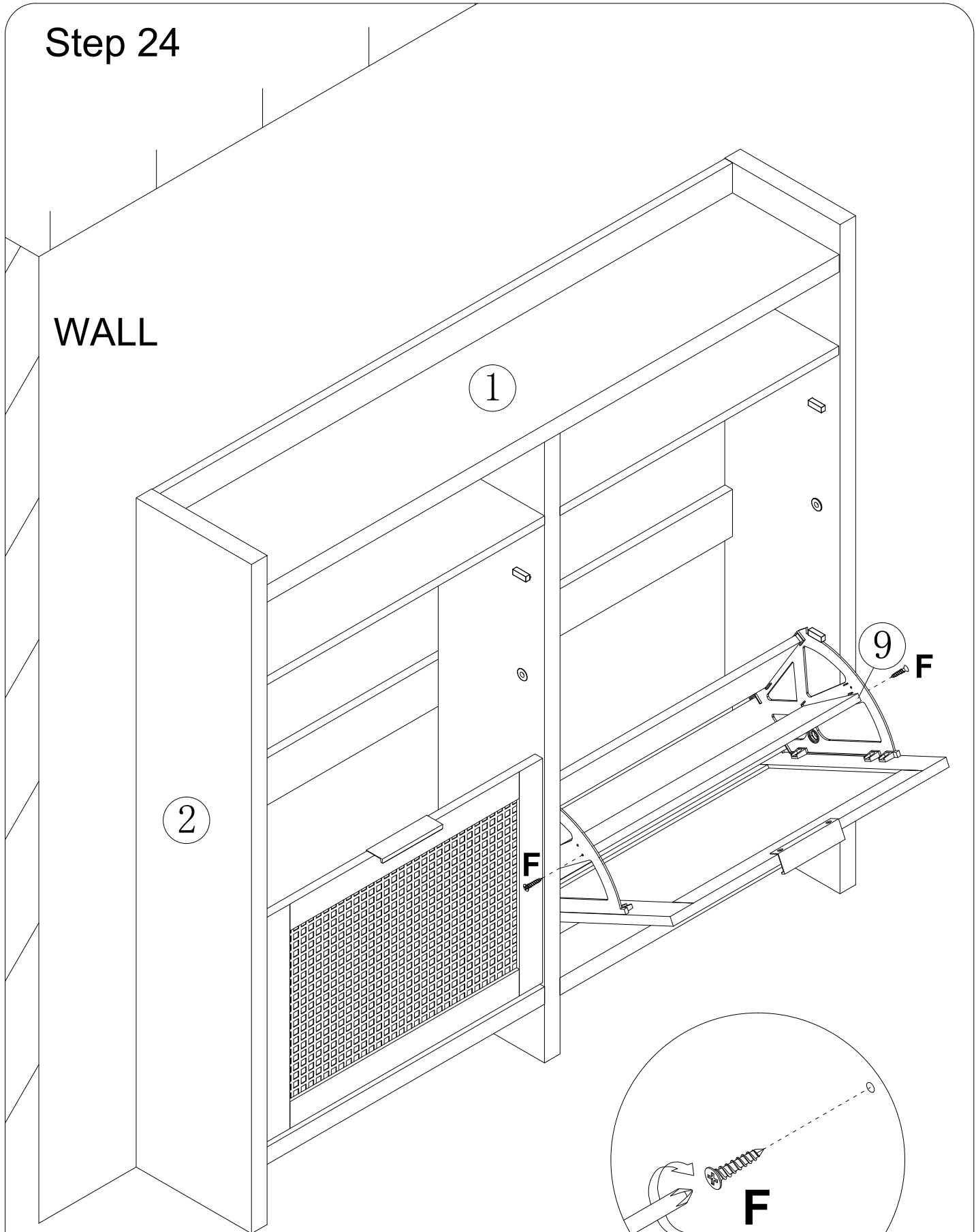
NOTE: Adjustable #9 shelf for various size of shoes.

WALL



Step 24

WALL

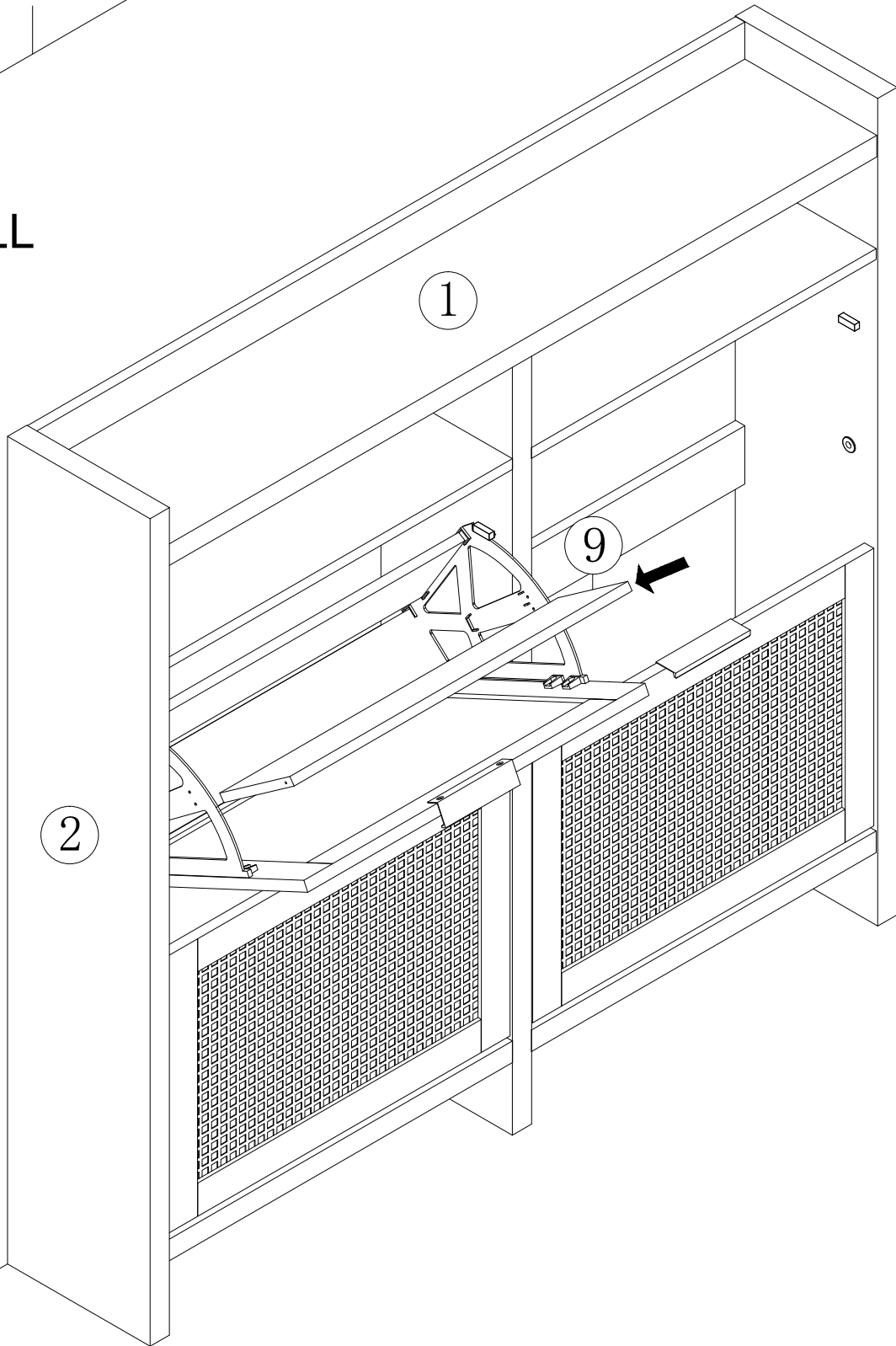


F x 2PCS

Step 26

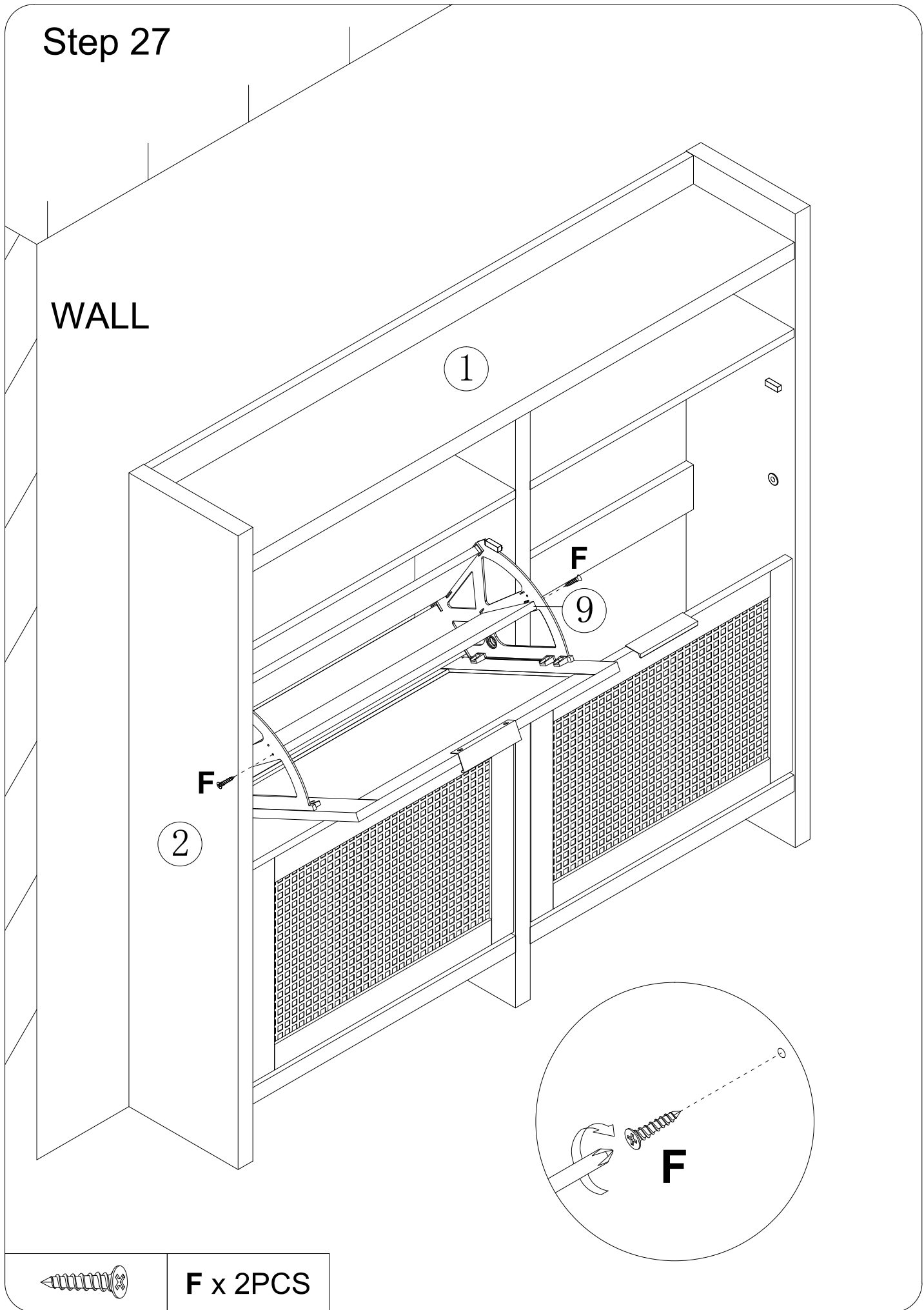
NOTE: Adjustable #9 shelf for various size of shoes.

WALL



Step 27

WALL



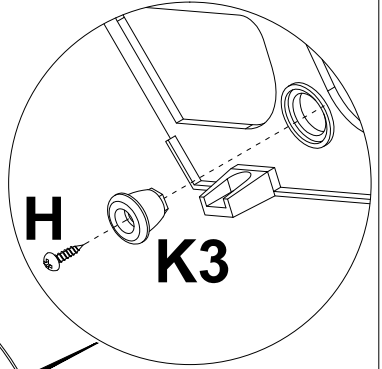
Step 28

Note: This step is recommended for two people to complete together.

WALL

1

2



H

K3

K3

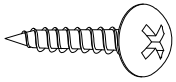
H

K3

H



K3 x 2PCS

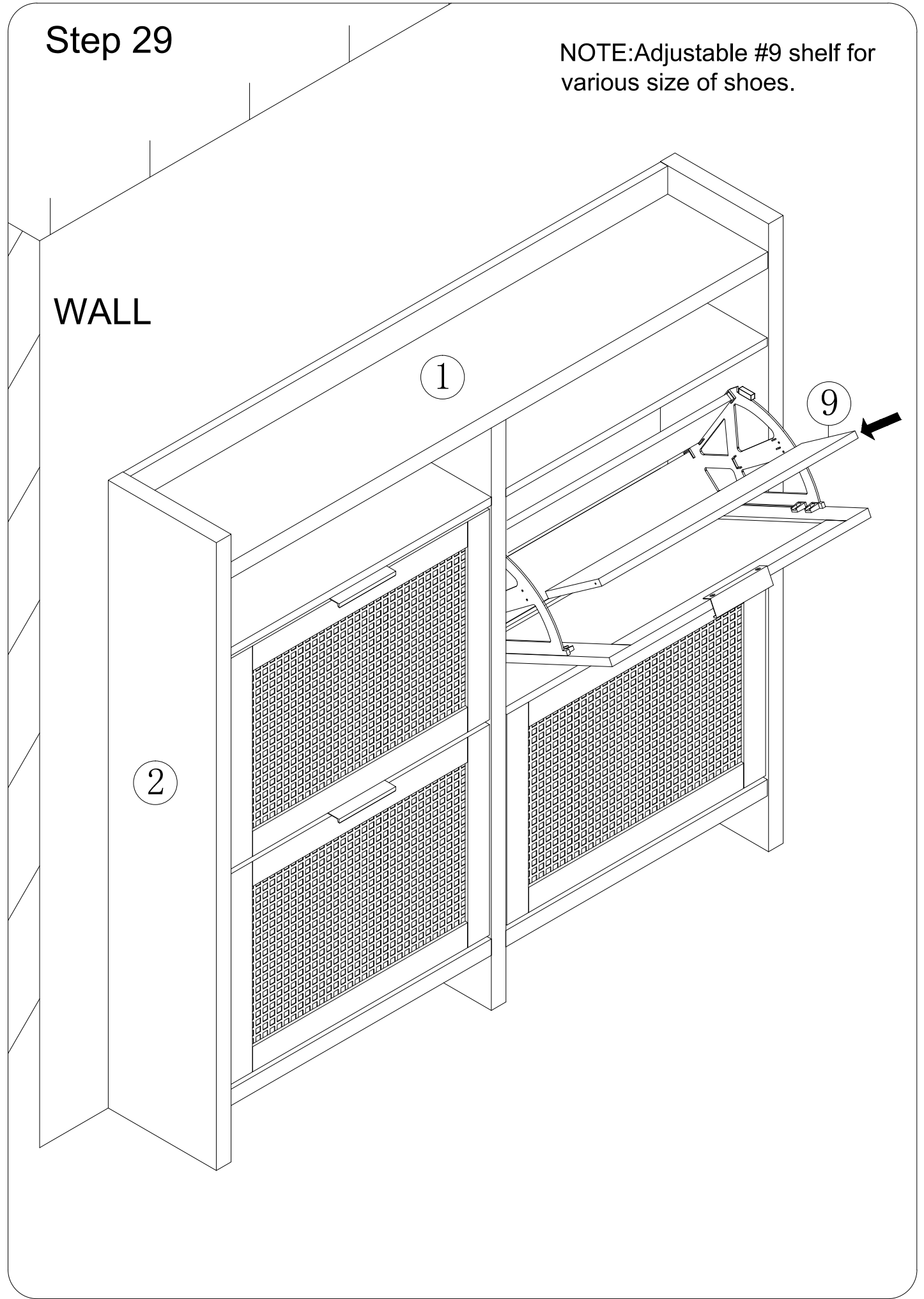


H x 2PCS

Step 29

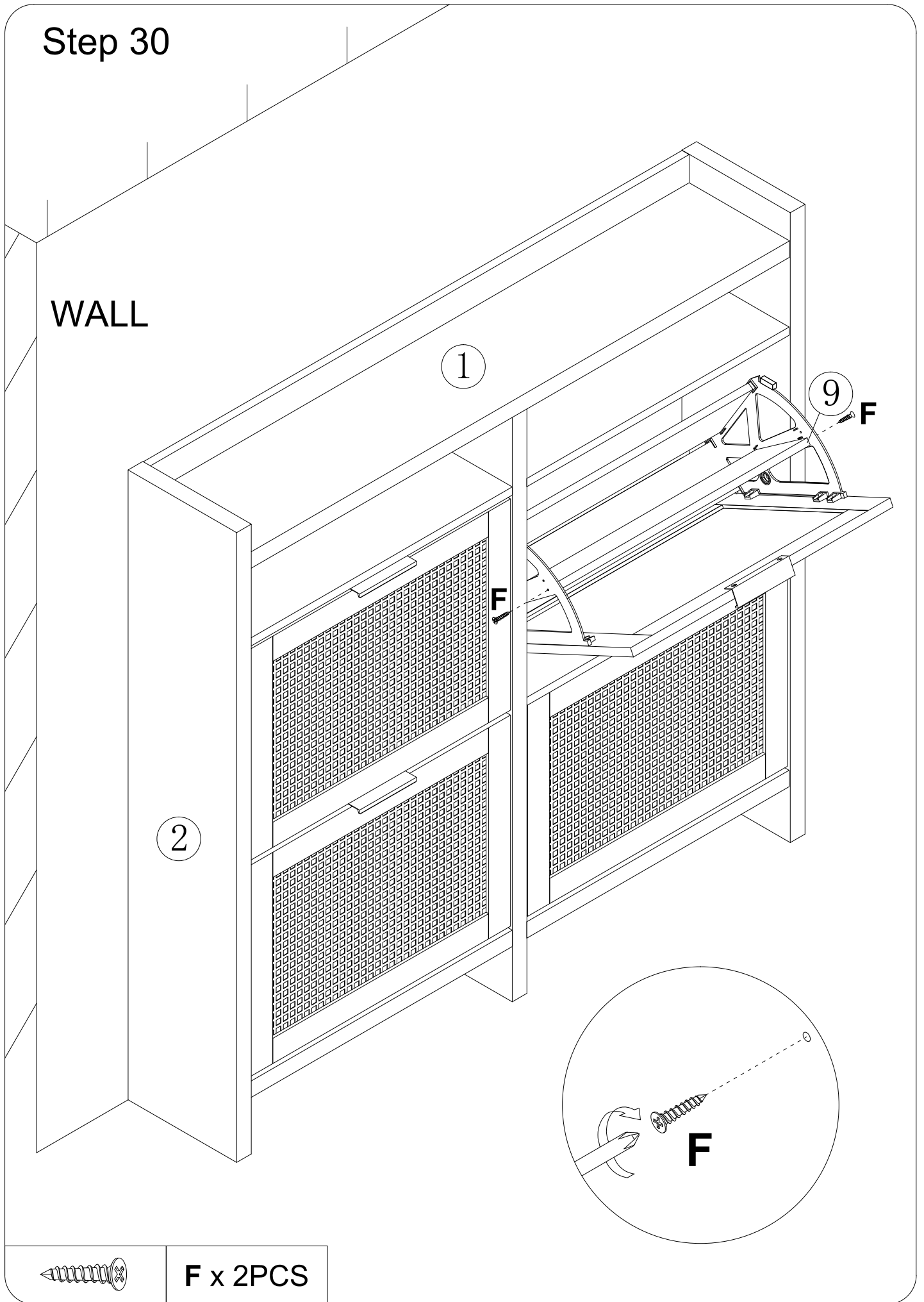
NOTE: Adjustable #9 shelf for various size of shoes.

WALL



Step 30

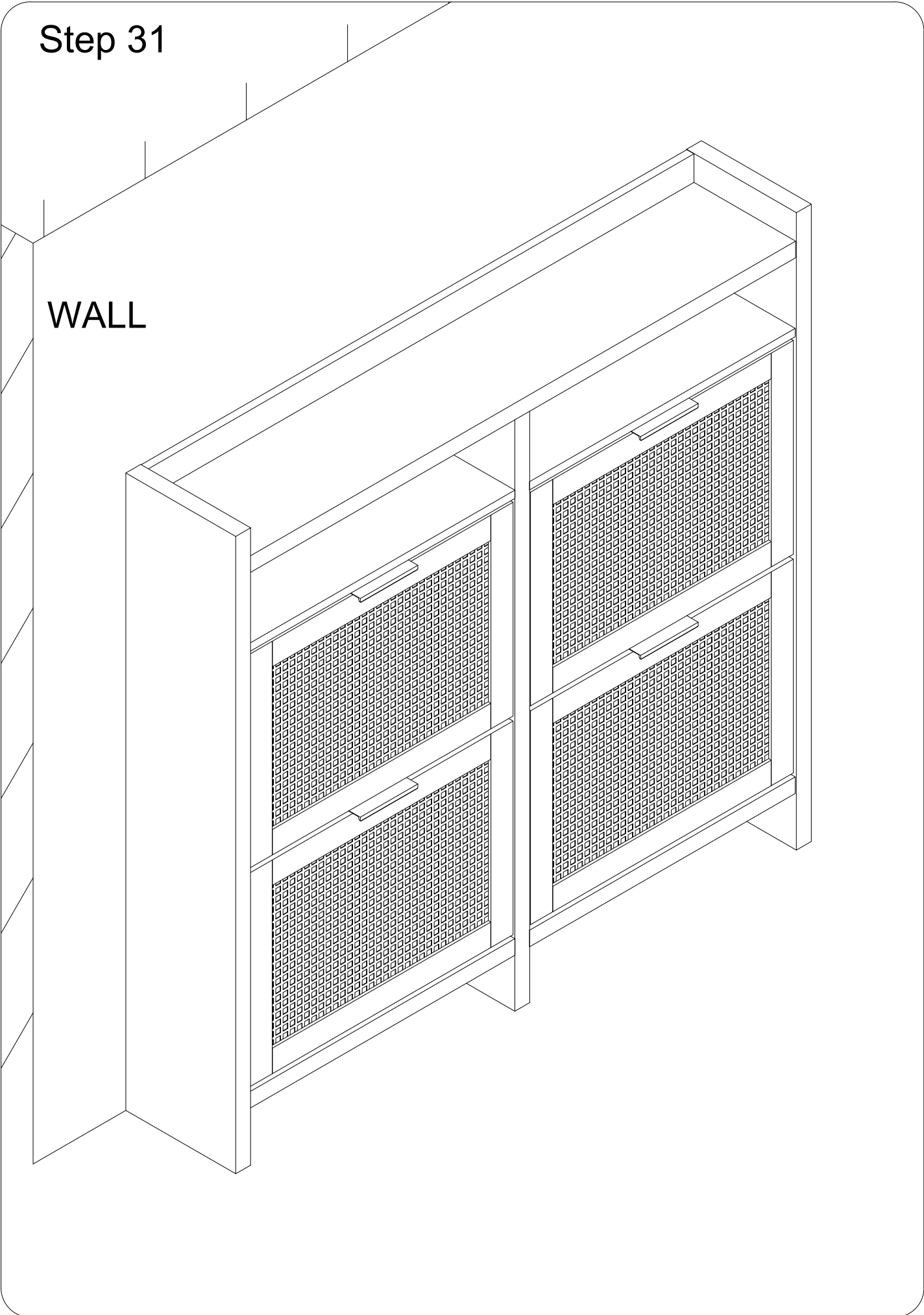
WALL



F x 2PCS

Step 31

WALL





WARNING



Children have died from furniture tipover. To reduce the risk of furniture tipover:

- **ALWAYS** install Anti-tip device provided.
- **NEVER** put a TV on this product.
- **NEVER** allow children to stand, climb or hang on drawers, doors, or shelves.
- **NEVER** open more than one drawer at a time.
- Place heaviest items in the lowest drawers.

