

DREAMS

IDEA

Instruction Manual



DREAMS/DEA

NO.CS0006-E1

NOTICE

THE PILLOWS ARE FILLED WITH CUT SPONGE,
WHICH IS A PRODUCING TECHNIQUE.

WE PROMISE THAT ALL RAW MATERIALS
USED ARE BRAND NEW, SAFE TO USE,

AND IN ACCORDANCE WITH LAWS AND REGULATIONS,
WILL NOT EFFECT THE QUALITY AND SAFETY.

WE RECOMMEND ASK FOR PROFESSIONAL HELP IF NEEDED,
AND WE ALSO PROVIDE INSTALLATION VIDEO WITH THIS INSTRUCTIONS,
PLEASE CHECK THE STEPS CAREFULLY BEFORE YOU START.

IF YOU HAVE ANY QUESTIONS,
PLEASE FEEL FREE TO CONTACT US ANYTIME.

HAVE A GREAT DAY!



ITEM NO.CS0006-E1

WARRANTY

We strive to offer high quality product and we also try our best to satisfy each customer that order from us, no matter on products or services as needed. Each customer receives a record of their order, such as the order number or item receipt. For any items that are out of warranty period, you may still be able to purchase the replacement parts from our company if they are available.

Are you having difficulty
with assembly? Missing parts?

Please contact us : info@firstopintl.com

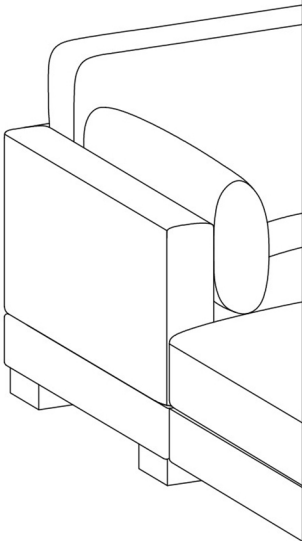
Tel:(562)-781-3327

send an email with your order No. to us

For return, please check the return policy with
the retailer or platforms you bought from.

Appreciate your purchasing from us.

Pop up your life by our furniture !



MAINTENANCE AND WARNING

Please read the manual thoroughly
before you start installing.

Please keep the product away from
sharp object.

Packaging and small parts may have
chocking hazard, please keep them away
from children and pets.

Please clean the product according to each
clean code, check the product description
for more information.

Please keep the product away from fire.

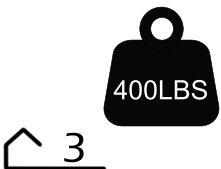
If you have any other questions, please
contact us, we will be glad to help you out.

If the product is placed under direct
sunlight, the pattern or color might fade
away overtime.

Check the product periodically to make
sure everything is secured and tightened.

Always use proper tools for installation.

Do not jump on the product.



Around 35 min

PRDOUCT DESCRIPTION

Adapt with sectional design, providing plenty of space for family members.

Whole structure is made of hardwood and metal, also solid wood as legs, weight capacity can be up to 1200 lbs.

Highly filled sofa foam cushions provide with the most comfortable sitting posture and back support.

Cushioned backrests can be rearranged for additional comfort, also come with small pillows to support arms or neck.

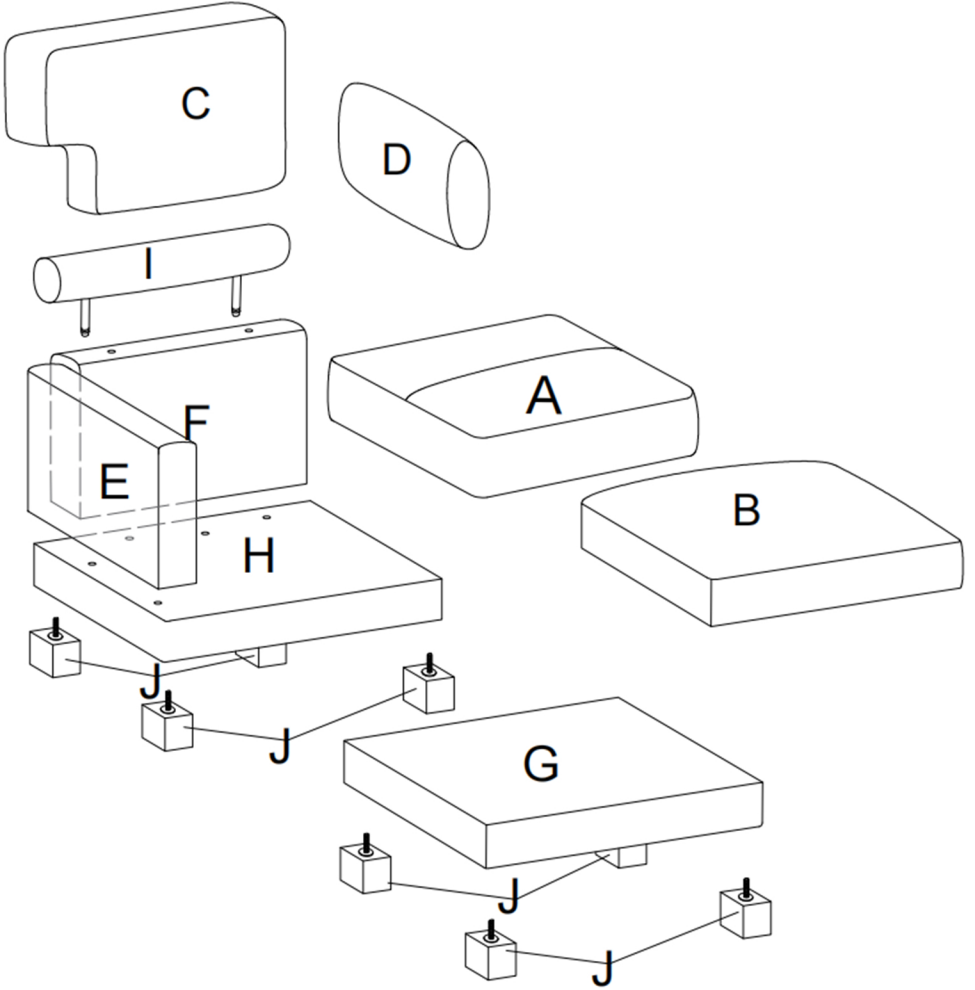
The entire sofa is made of corduroy material, giving you a comfortable experience.

Dream



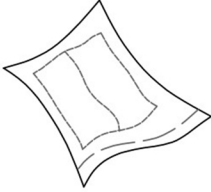
House

EXPLODED VIEW



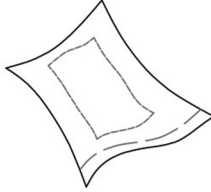
PARTS

A*1



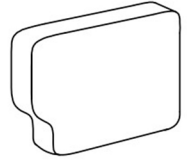
Sofa cushion

B*1



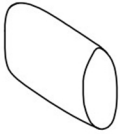
Ottoman cushion

C*1



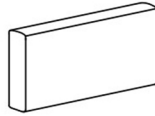
Back cushion

D*1



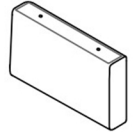
Armrest cushion

E*1



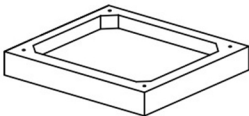
Armrest frame

F*1



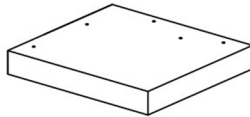
Backrest frame

G*1



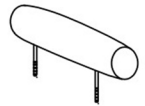
Ottoman frame

H*1



Sofa frame

I*1



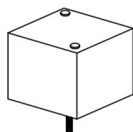
Headrest

HARDWARE

TOOL LIST

NOTE: Designated with (★) We provide additional spare parts in the hardware package

J*8



Leg

K*1



Allen key

L*5



★ BOLT&SHIM
M8*50mm

M*2

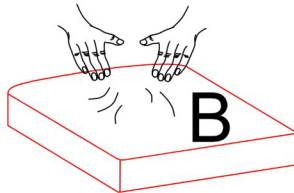
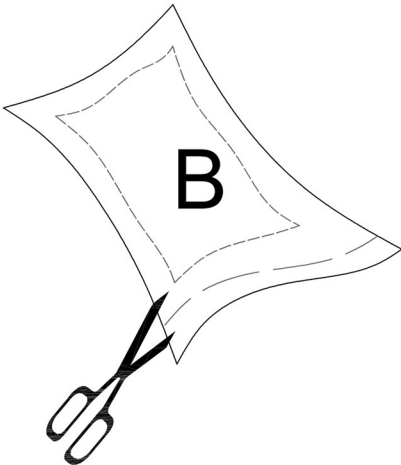
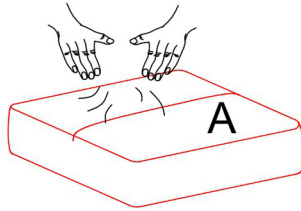
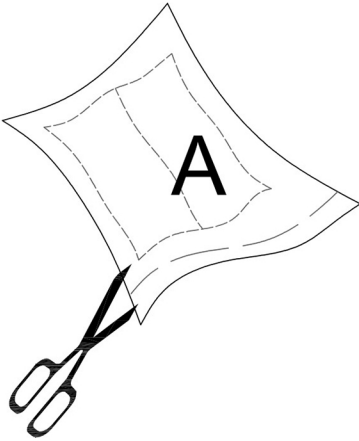


Metal buckle

Please make sure all hardware&packing material fitting the list.
Especially some small accessories may be missing during transportation. Please contact us if you have any question.

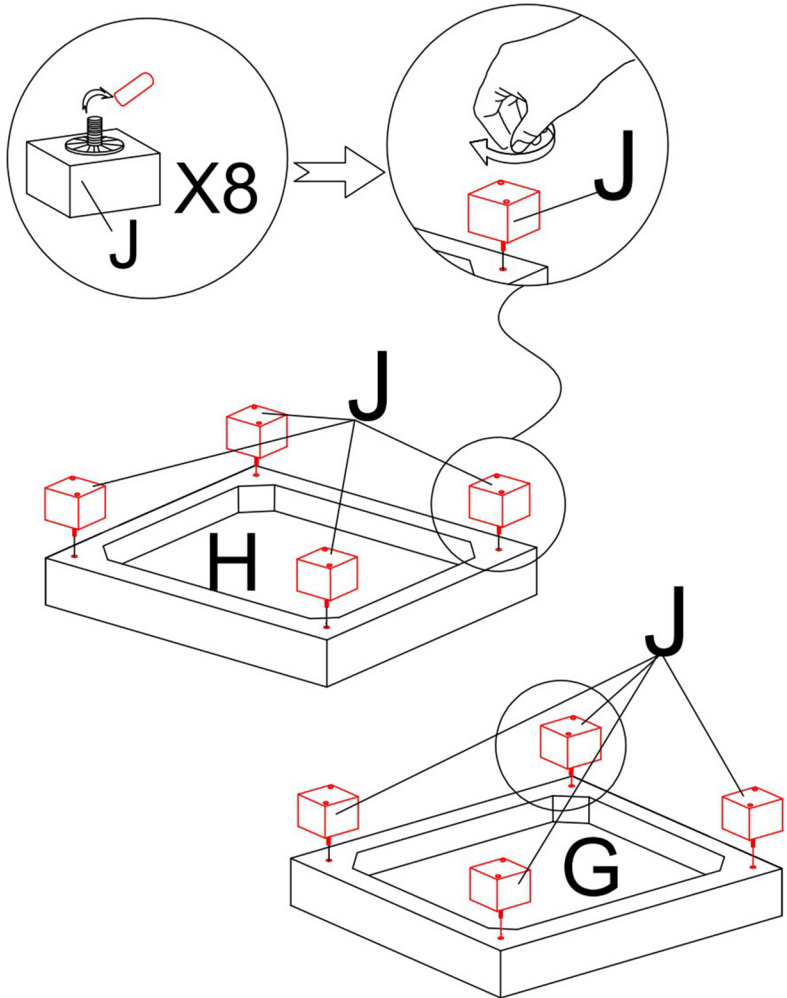
step 1

After taking out of the cushions (A & B) from the air compression bag, please allow it to recover for a period of time. It might take up to 48 hours to be fully recovered, you may gently slap onto the cushion to speed up the process.



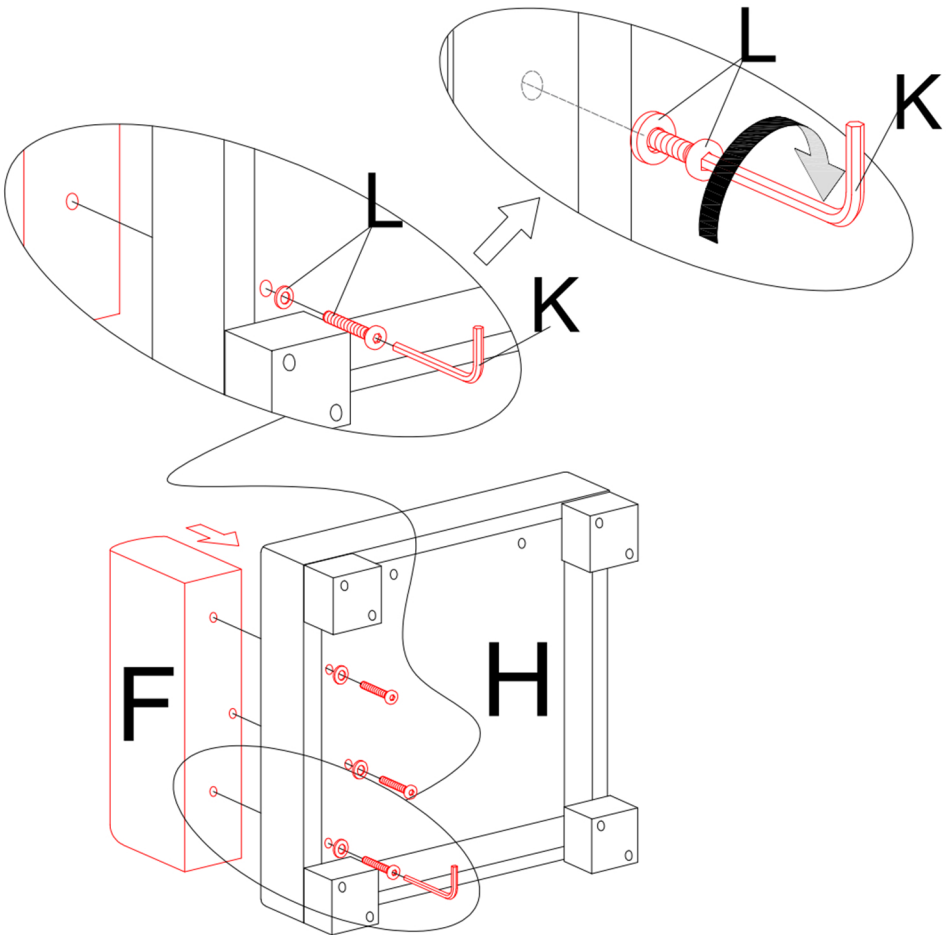
step 2

Take off the case, screw all four legs (J) into holes on each corner of sofa and ottoman frames (G & H), tighten them with hands.



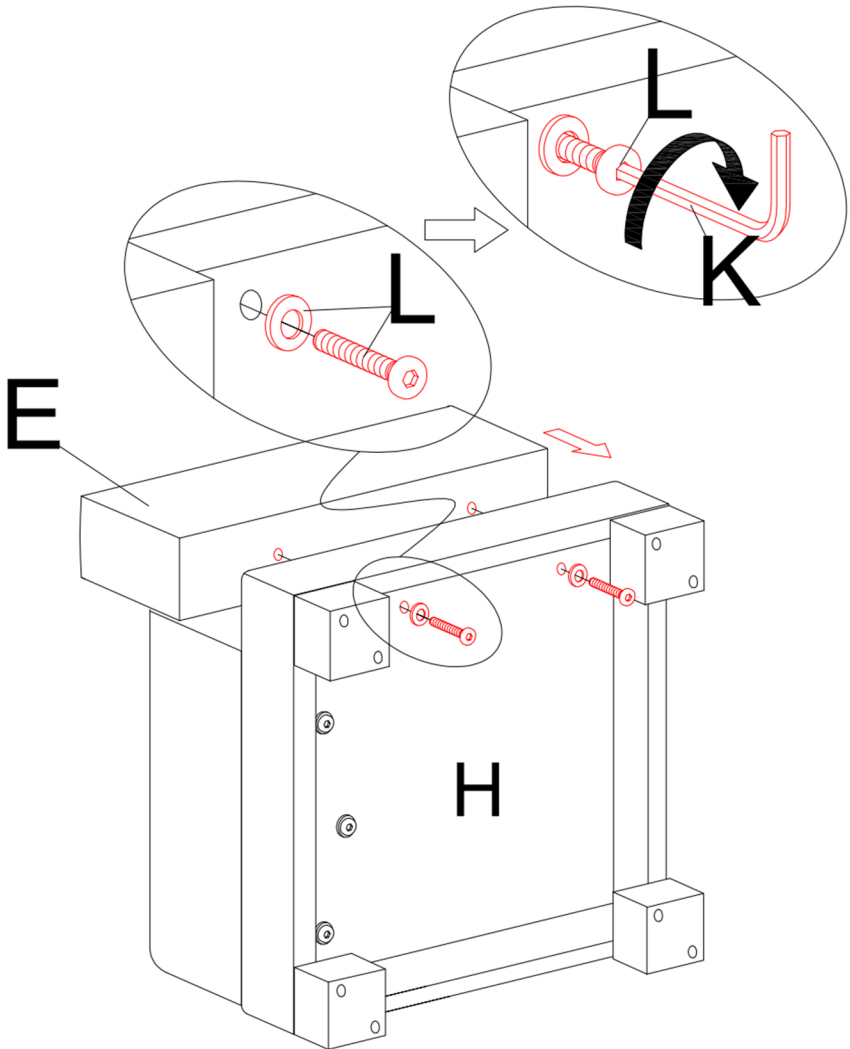
step 3

Place the backrest frame (F) on its side as shown, and put all two screws (L) into the predrilled holes. Align all two screw holes, then use the allen key (K) provided to tighten them.



step 4

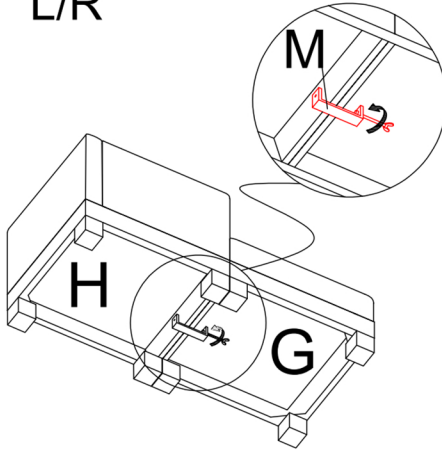
Then place the armrest (E) near the sofa frame (H) as shown. Align all two screw holes, then use the allen key (K) provided to tighten them.



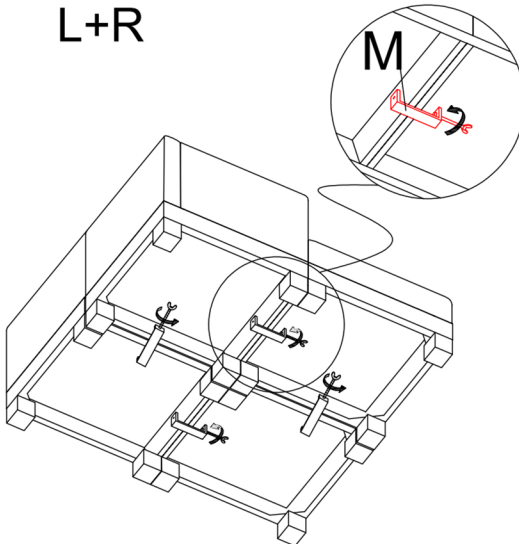
step 5

There is a metal buckle inside the carton as a free part. If you only purchased single part of the sofa, this buckle will not be useful. If you want to be combined with other sofa components (ottoman, chair, chaise etc), this buckle can be used. Just use this buckle to fix two parts together from the bottom to prevent displacement while using the products.

L/R

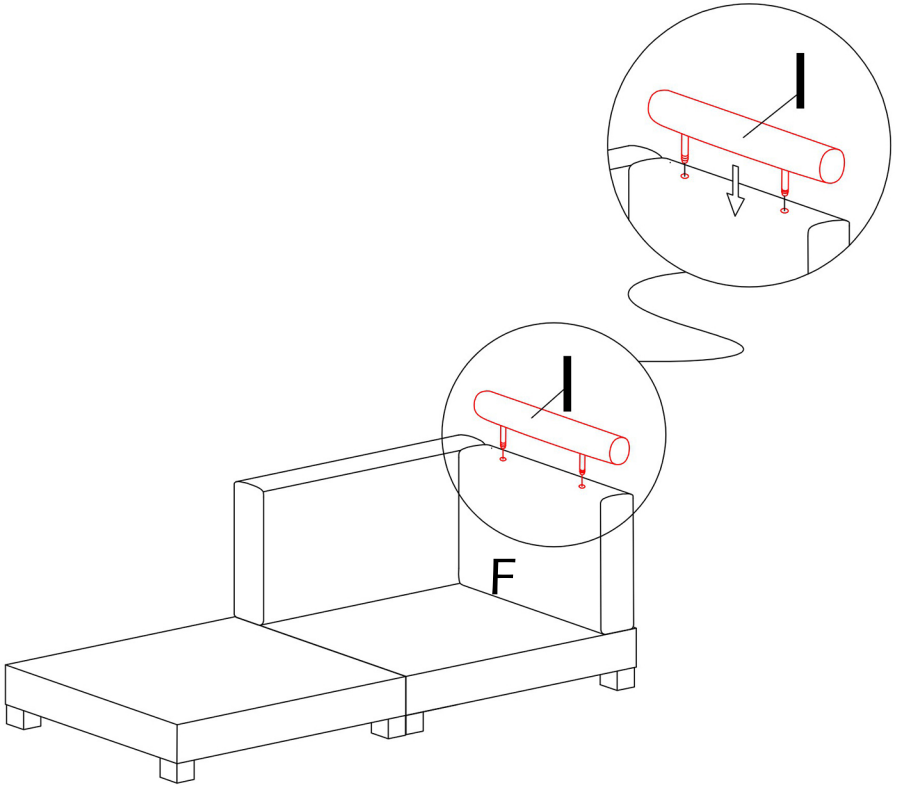


L+R



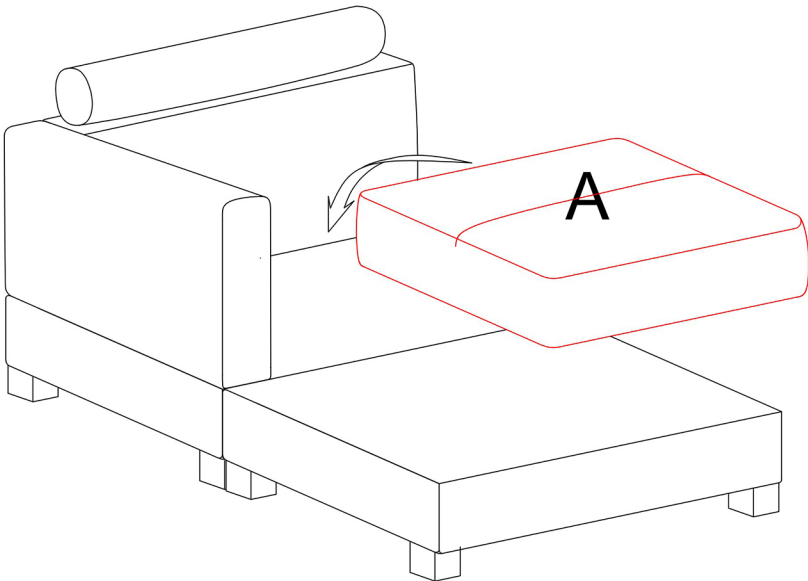
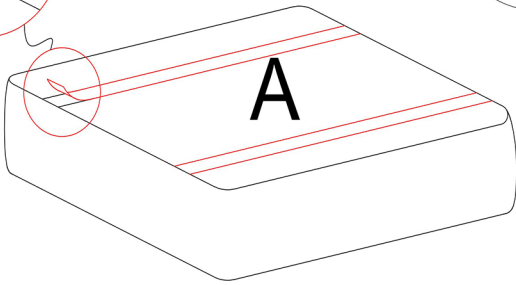
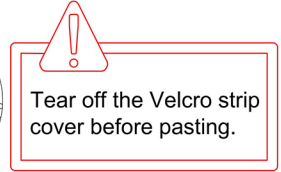
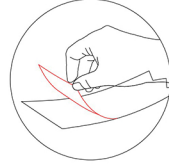
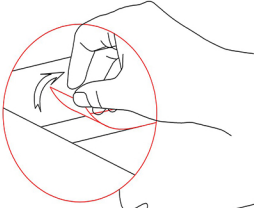
step 6

Insert headrest (I) into the backrest (F) as shown, make sure they are aligned. There are three levels of adjustment for the headrest.



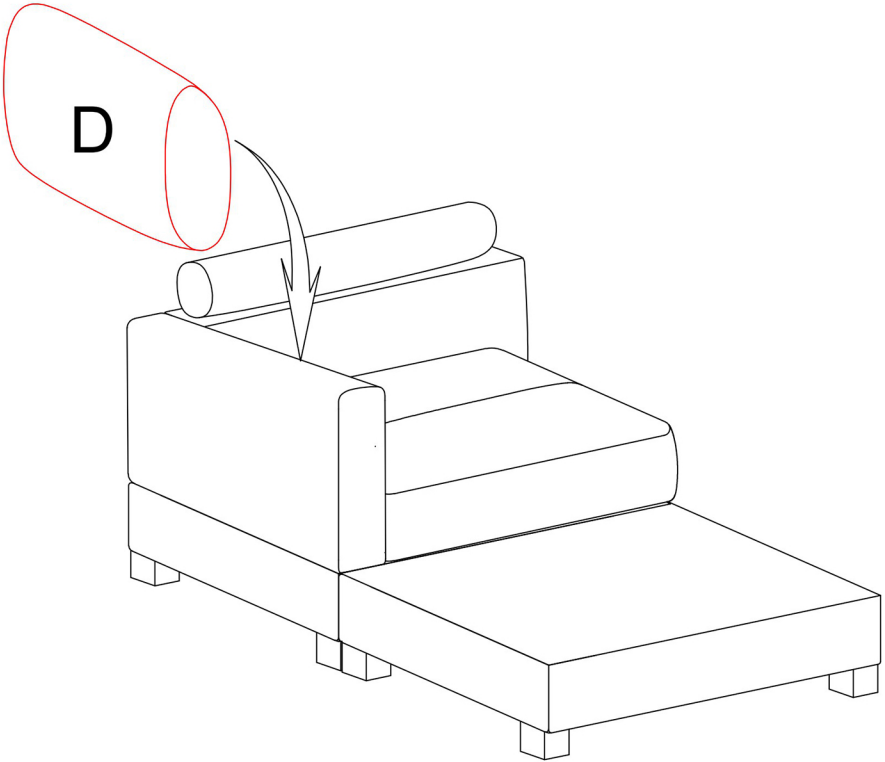
step 7

Tear off the Velcro tape covers on the bottom of the cushions(A).Place the seat cushions (A) onto the sofa.



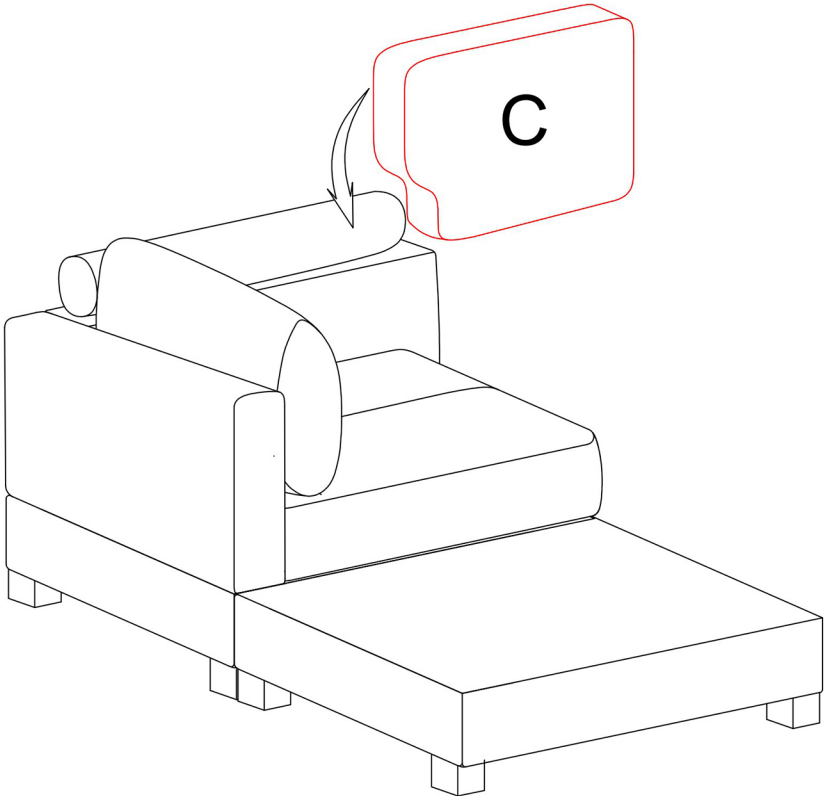
step 8

Place the armrest cushion (D) onto the sofa.



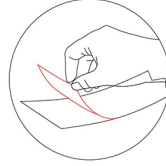
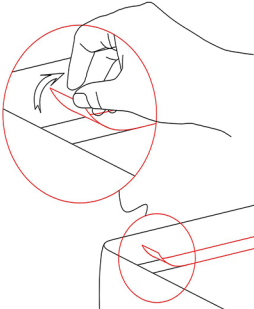
step 9

Place the armrest back cushion (C) onto the sofa.

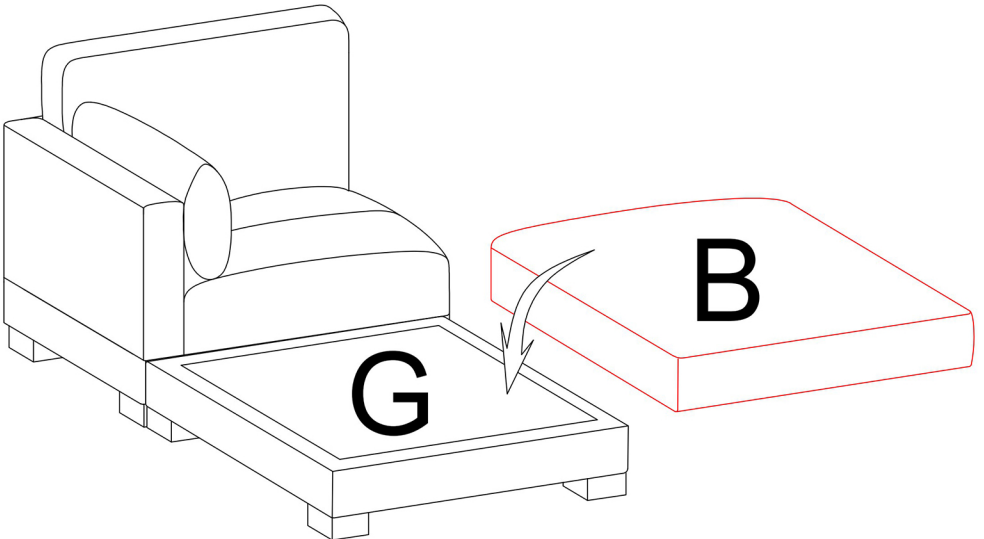
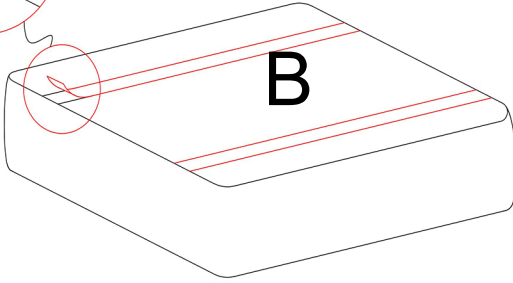


step 10

Tear off the Velcro tape covers on the bottom of the cushions(B),Place the seat cushion (B) onto the ottoman.

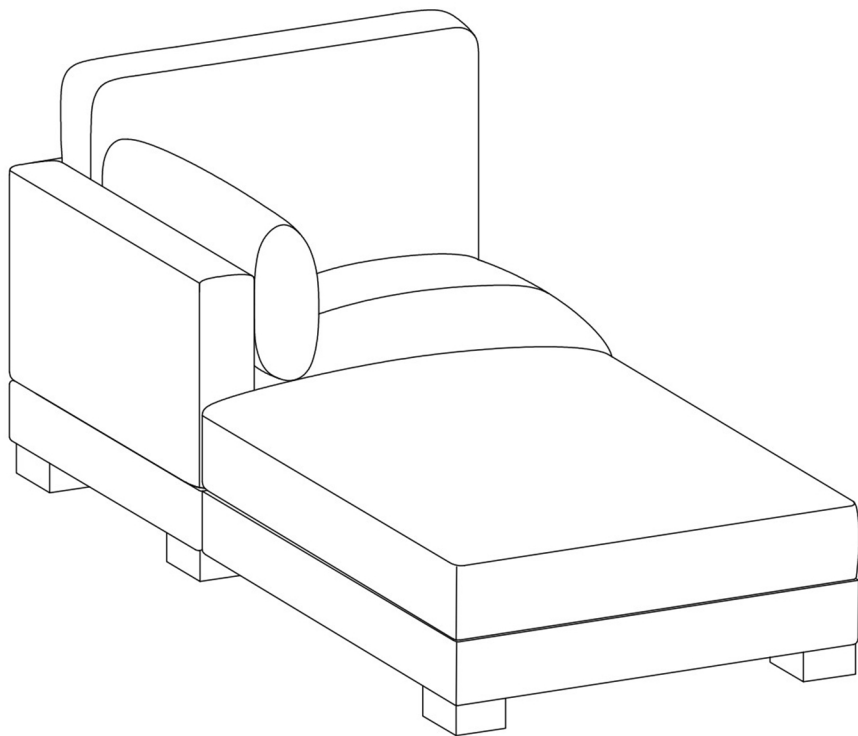


Tear off the Velcro strip cover before pasting.



step 11

Congradulations, the assembly is complete! Thank you again for choosing our product! Please enjoy!





ASSEMBLY INSTRUCTIONS

Tel.(562)-781-3327

Please contact us:info@firstopintl.com

<https://www.dreamsidea.com>