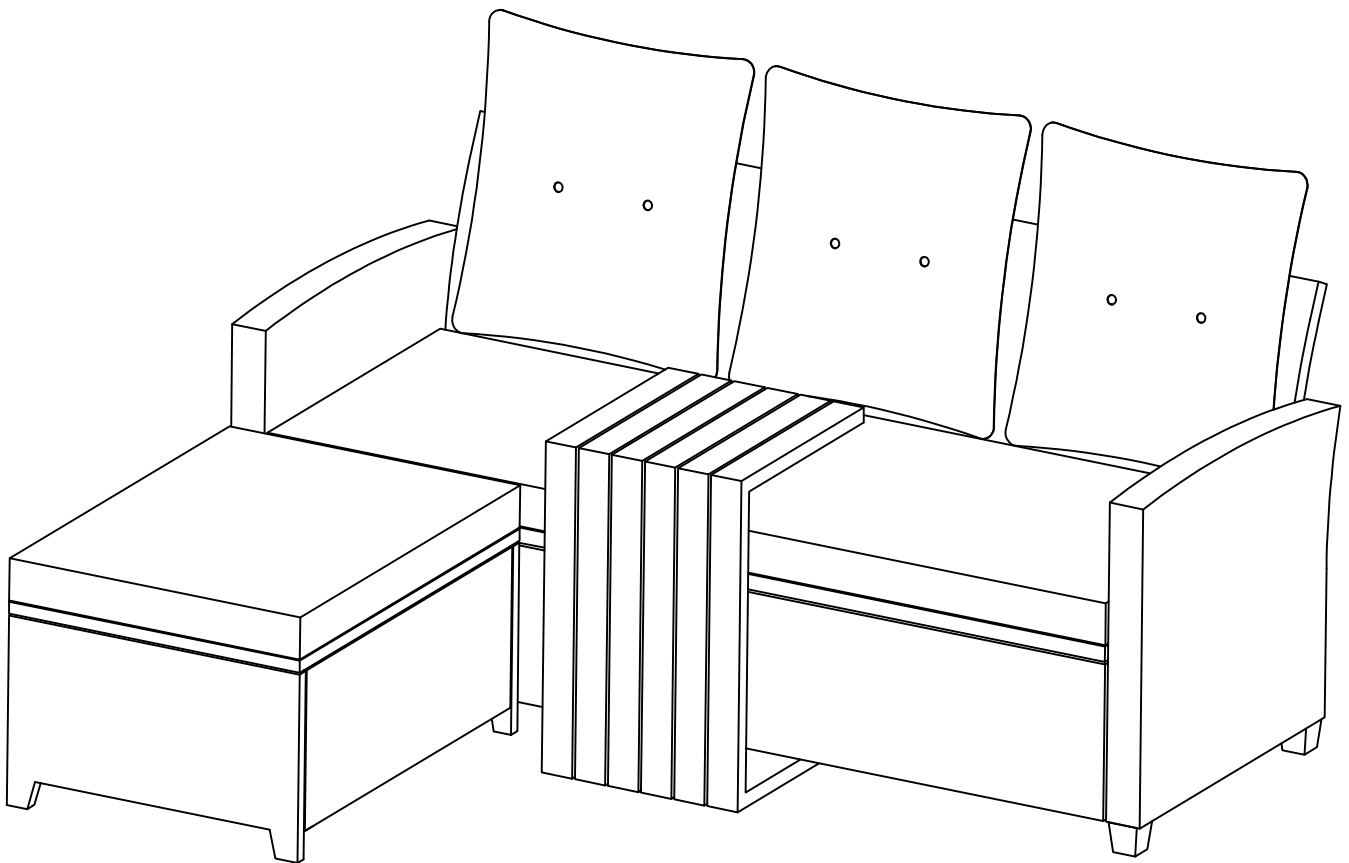


# ASSEMBLY INSTRUCTION

---



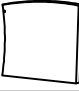


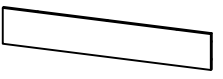
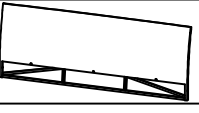


Any problems, we are here for help.

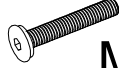
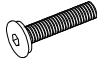
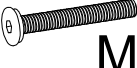

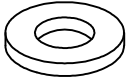


## ■ Patio Furniture Set

THANK YOU  
FOR YOUR PURCHASE. YOUR SATISFACTION IS OUR RELENTLESS PURSUIT!

# 3-SEAT SOFA

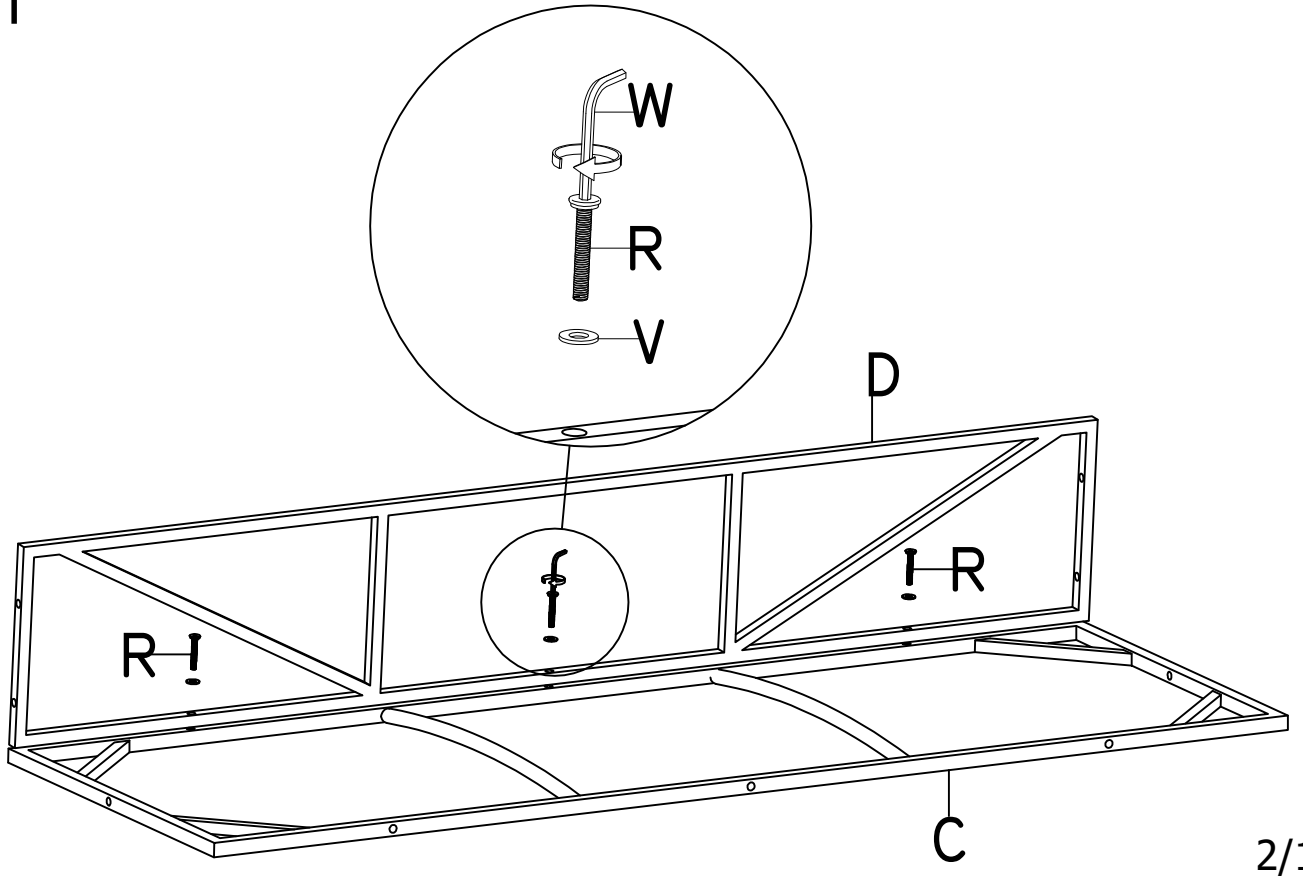
Check and ensure you get the components on the list, contact us for any missing.

| PARTS LIST |  |      |
|------------|--|------|
| A          |   | 1PC  |
| B          |   | 1PC  |
| C          |   | 1PC  |
| D          |   | 1PC  |
| E          |   | 1PC  |
| F          |   | 1PC  |
| G          |  | 3PCS |

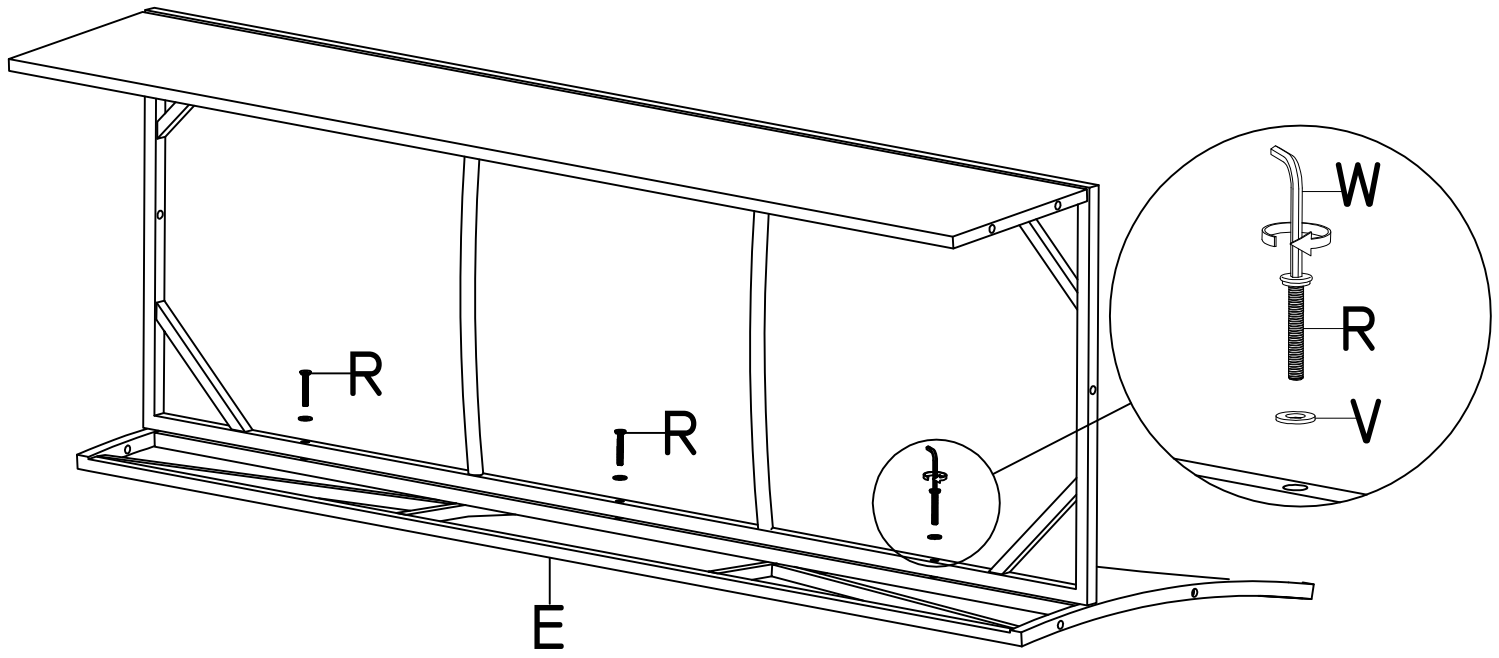
| HARDWARE LIST |  |       |
|---------------|--|-------|
| R             |  M6*40 | 10PCS |
| S             |  M6*30 | 4PCS  |
| T             |  M6*50 | 4PCS  |
| U             |  M6*70 | 2PCS  |
| V             |       | 16PCS |
| W             |       | 1PC   |
| X             |      | 4PCS  |

**NOTE:** Do not tighten bolts until all parts are connected.  
Washers must be used.

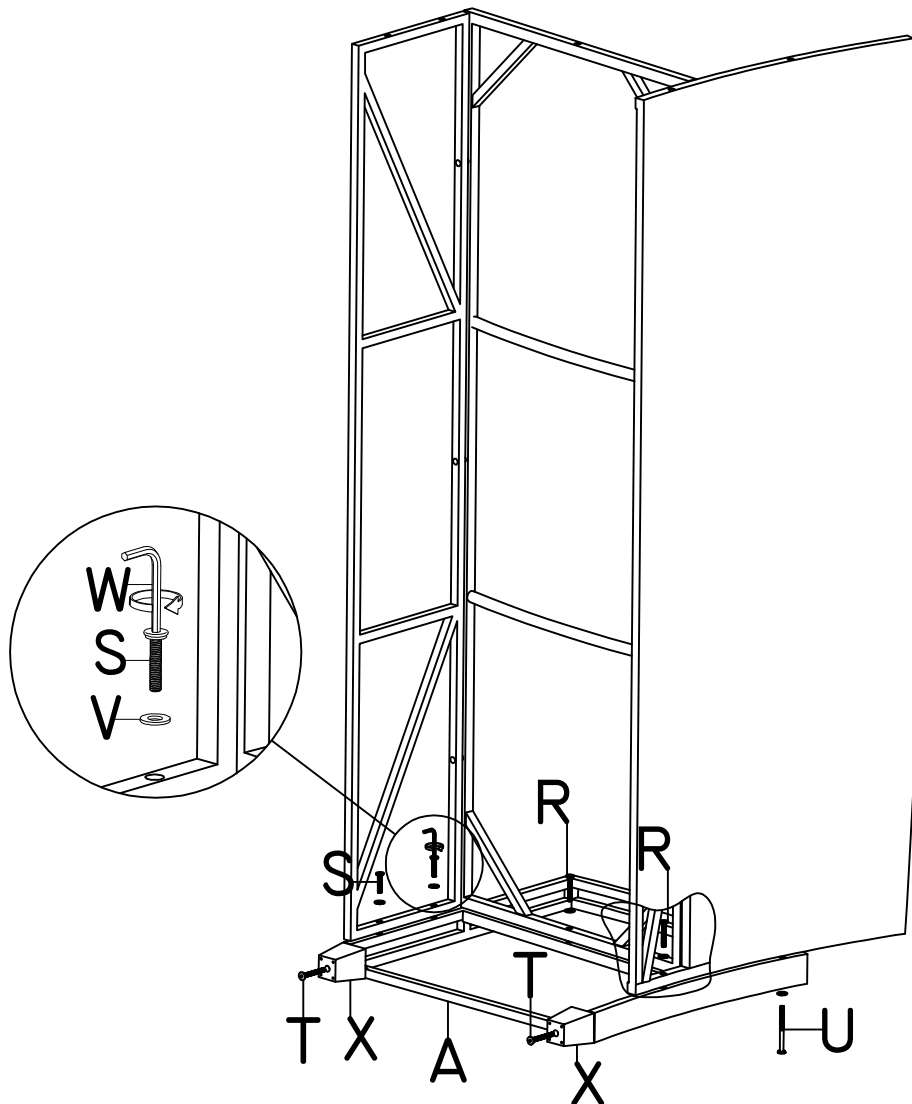
## Step 1



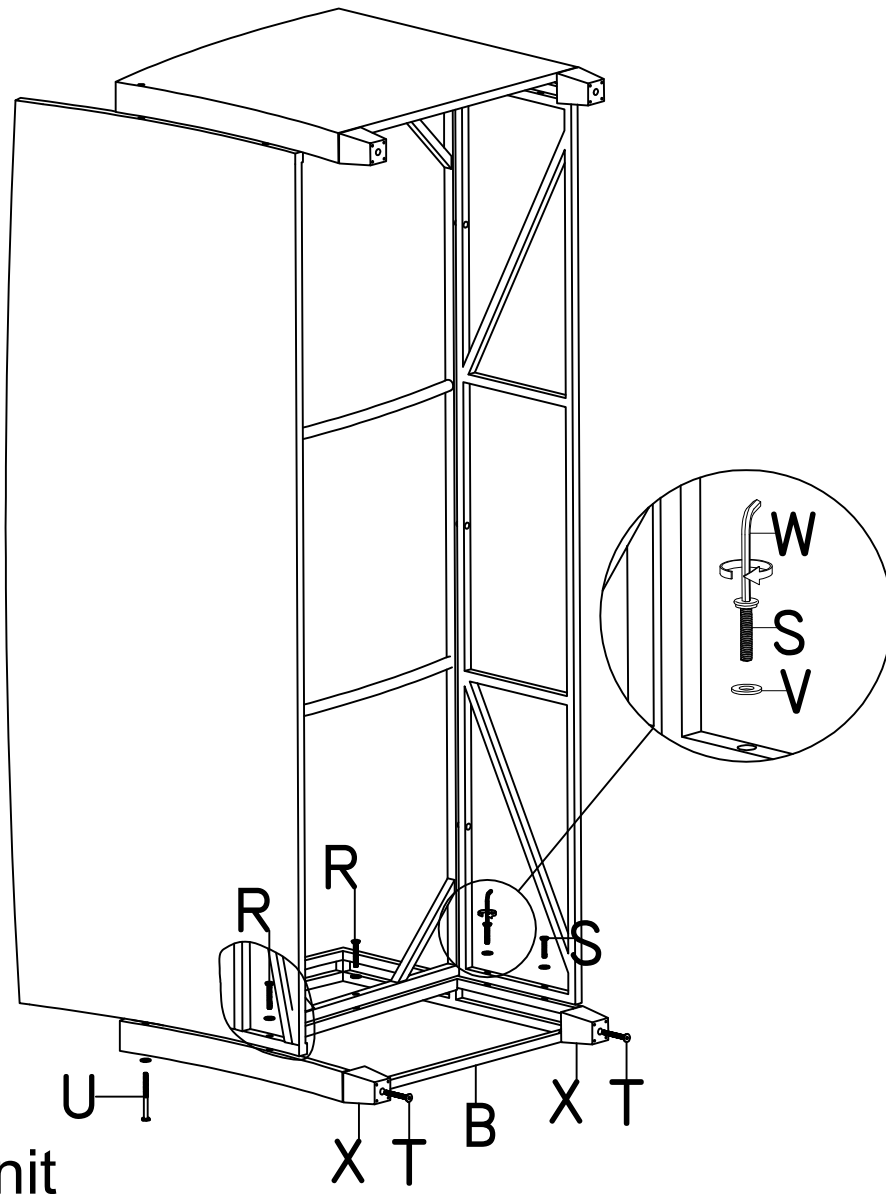
# Step 2



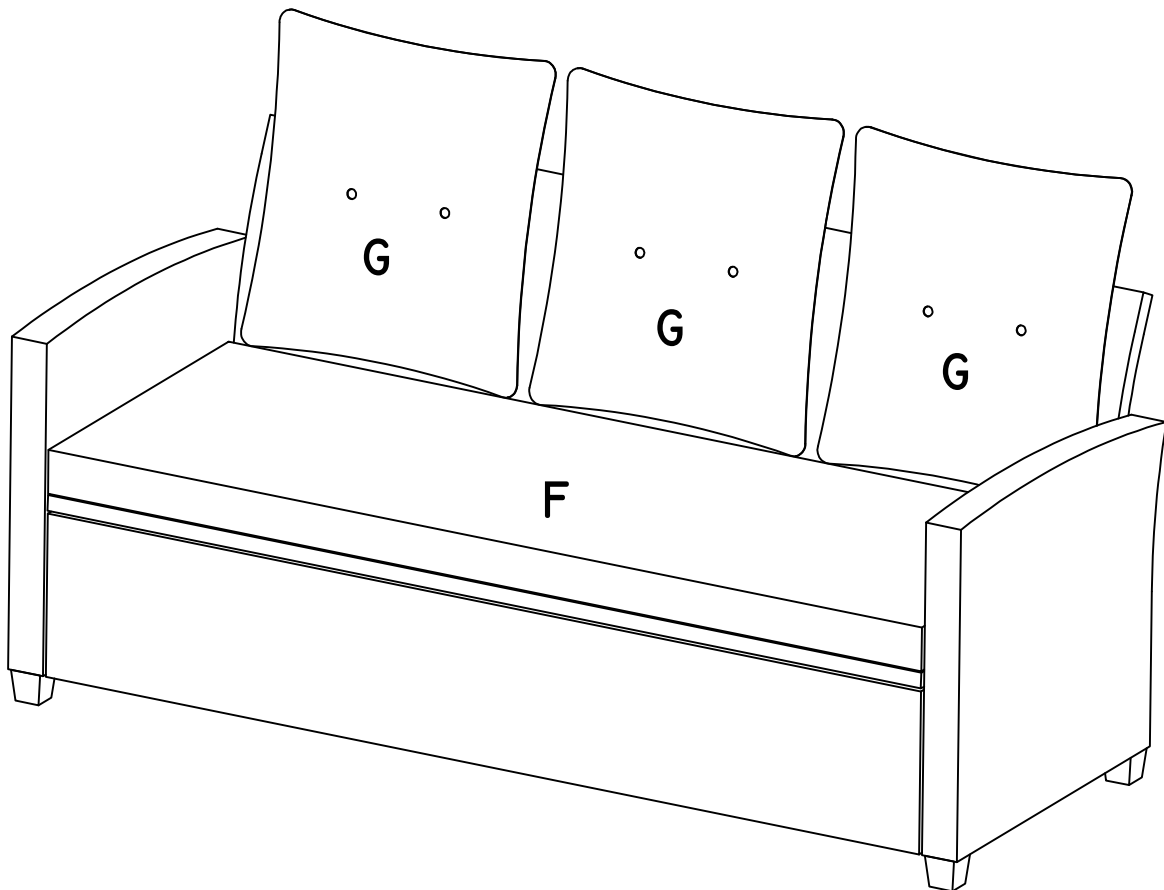
# Step 3



# Step 4







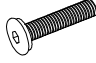


# Completed Unit



# OTTOMAM

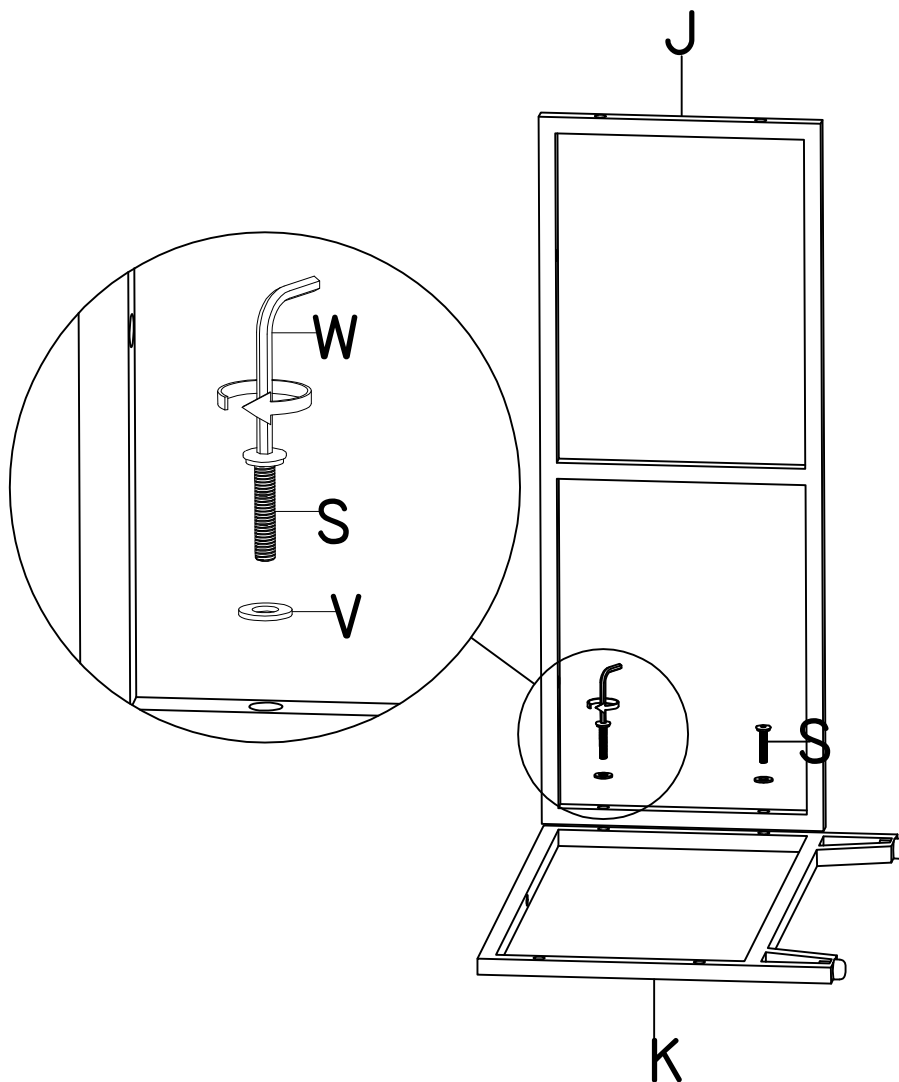
Check and ensure you get the components on the list, contact us for any missing.

| PARTS LIST |   |      |
|------------|---|------|
| H          |  | 1PC  |
| J          |  | 2PCS |
| K          |  | 2PCS |
| L          |  | 1PC  |

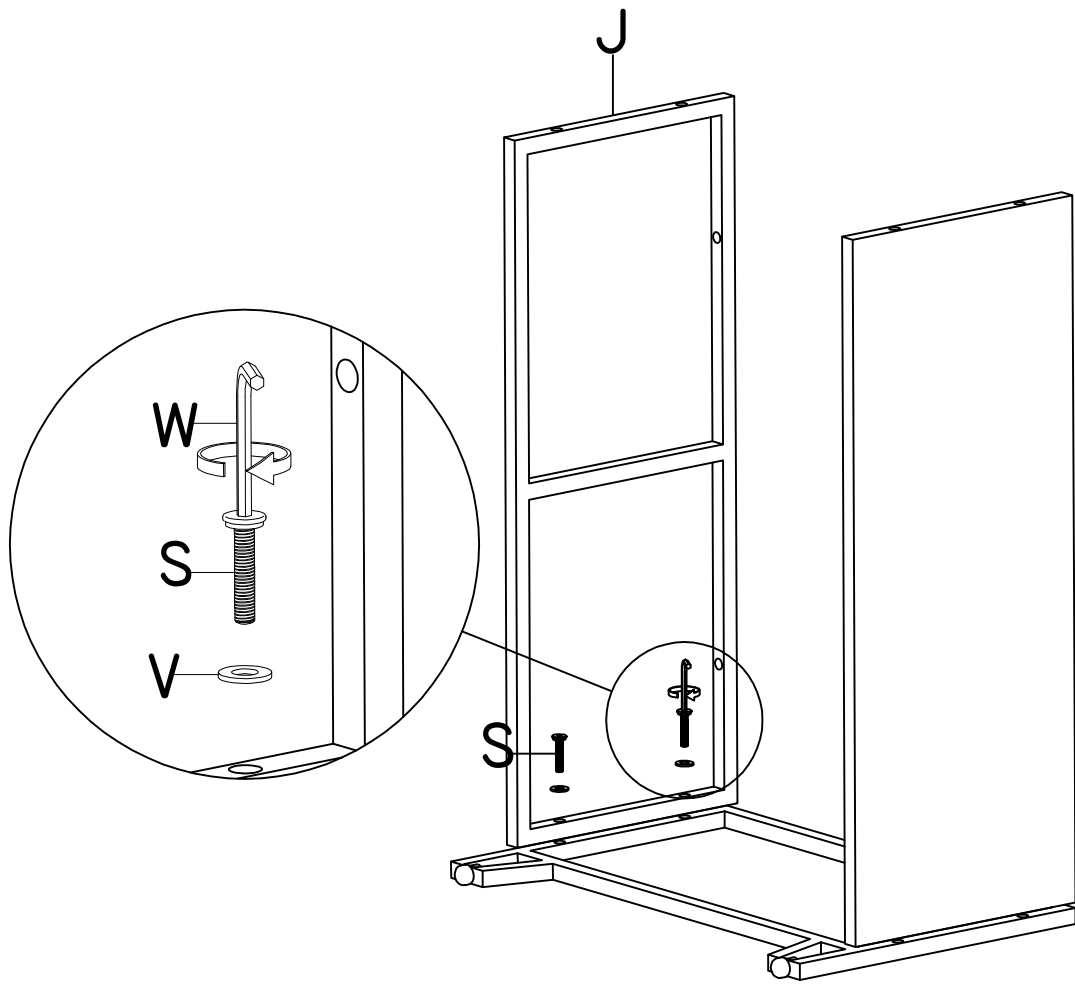
| HARDWARE LIST |  |       |
|---------------|--|-------|
| S             |  M6*30 | 14PCS |
| V             |       | 14PCS |
| W             |       | 1PC   |

**NOTE:** Do not tighten bolts until all parts are connected.  
Washers must be used.

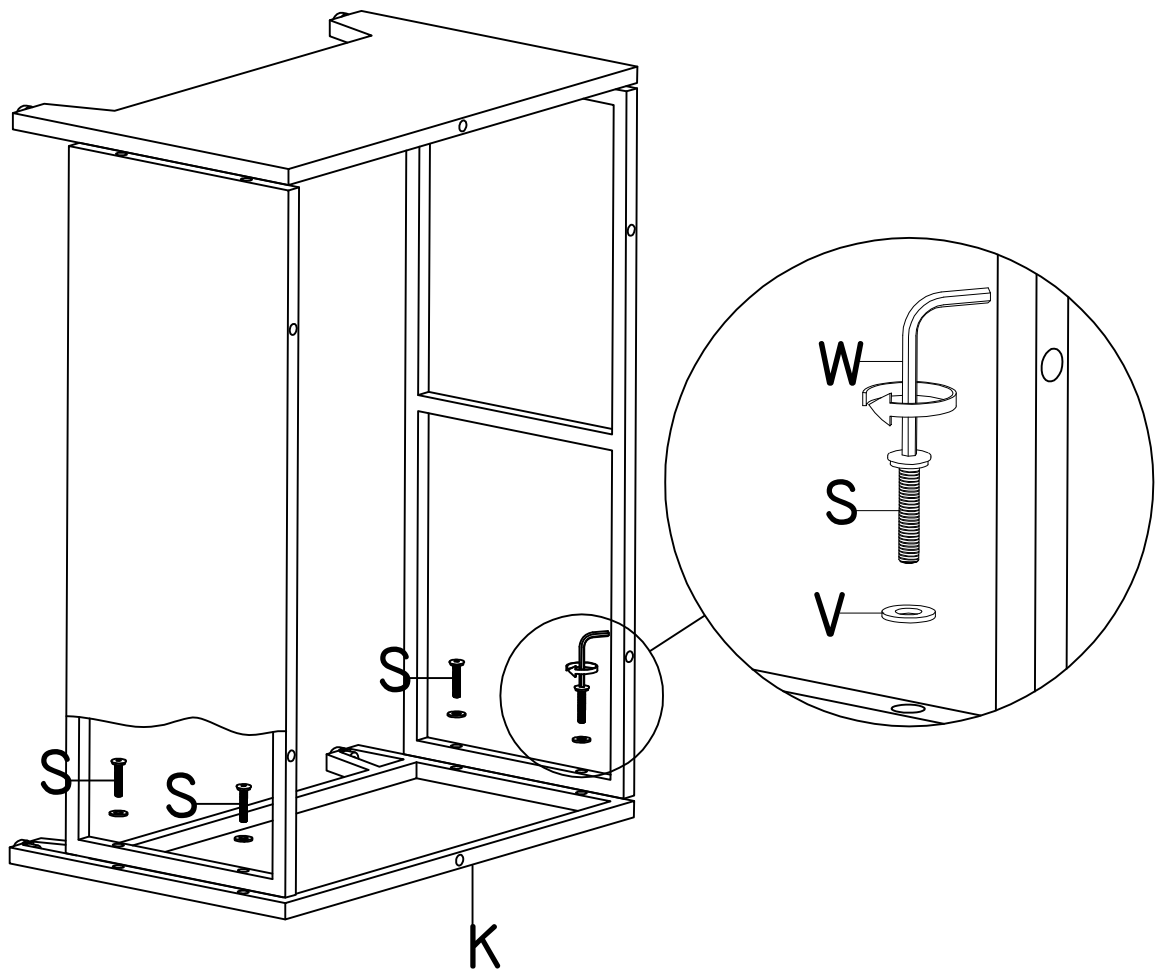
## Step 1



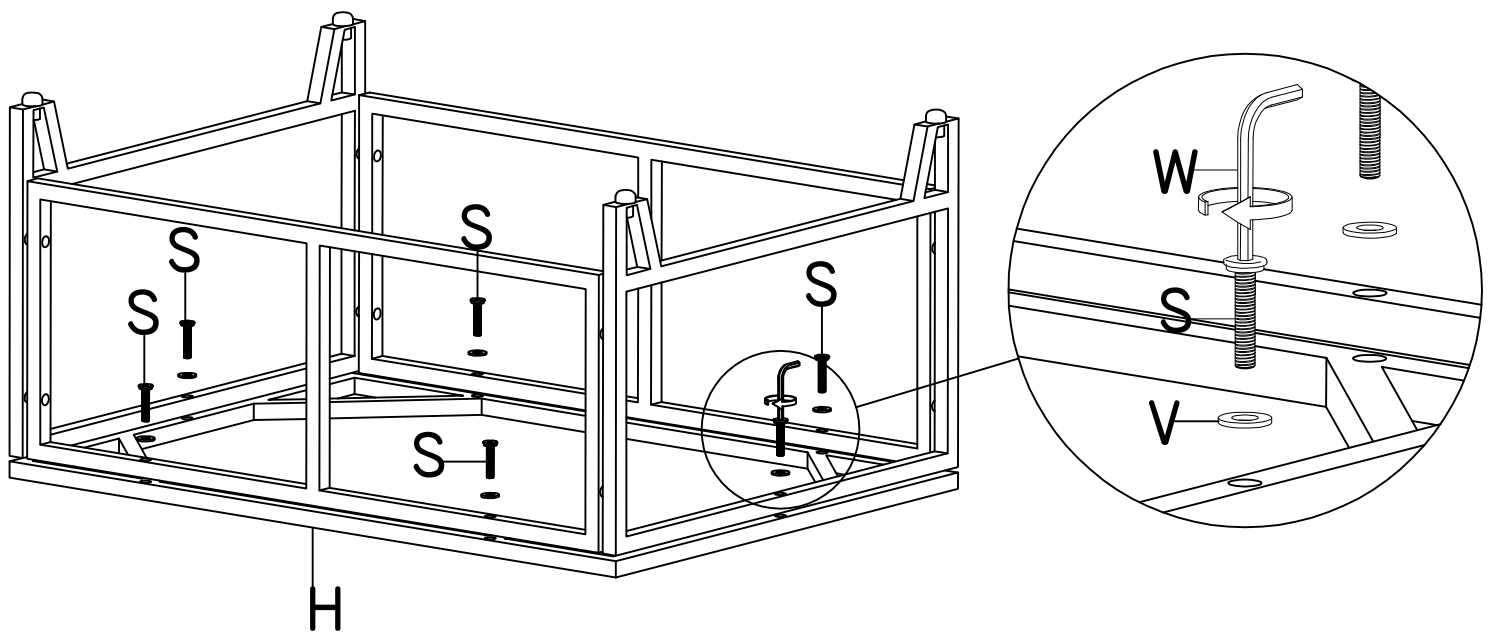
# Step 2



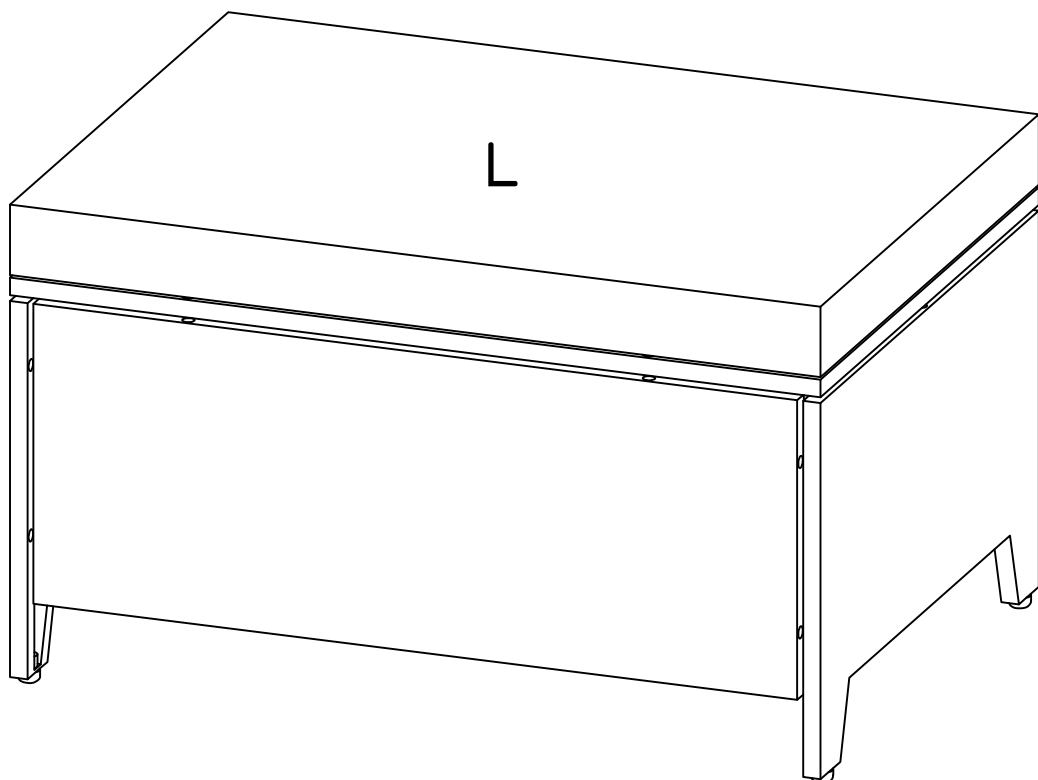
# Step 3



# Step 4

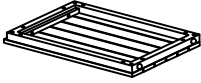
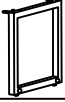
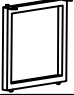



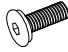
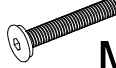
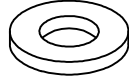

# Completed Unit



# COFFEE TABLE

Check and ensure you get the components on the list, contact us for any missing.

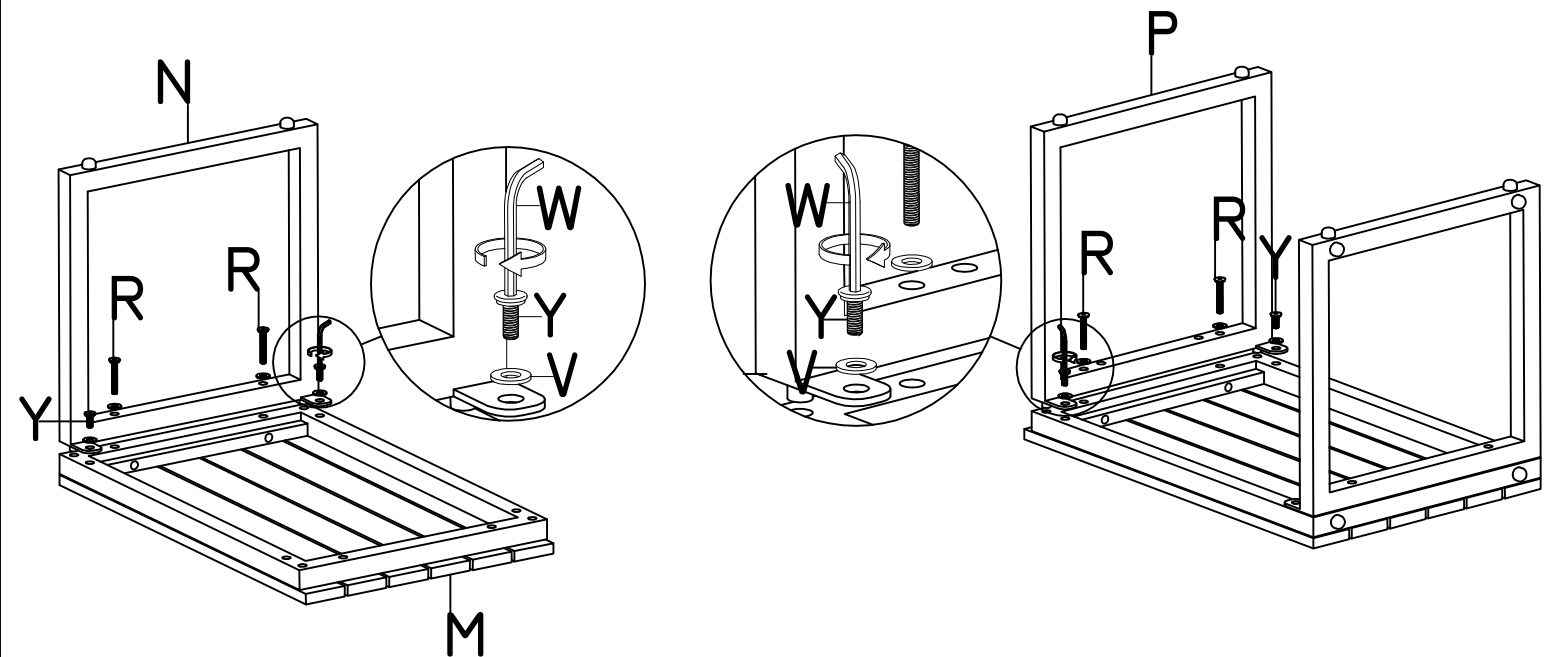
| PARTS LIST |   |     |
|------------|---|-----|
| M          |  | 1PC |
| N          |  | 1PC |
| P          |  | 1PC |
| Q          |  | 1PC |

| HARDWARE LIST |   |       |       |
|---------------|---|-------|-------|
| Y             |   | M6*15 | 4PCS  |
| R             |   | M6*40 | 8PCS  |
| V             |  |       | 12PCS |
| W             |  |       | 1PC   |

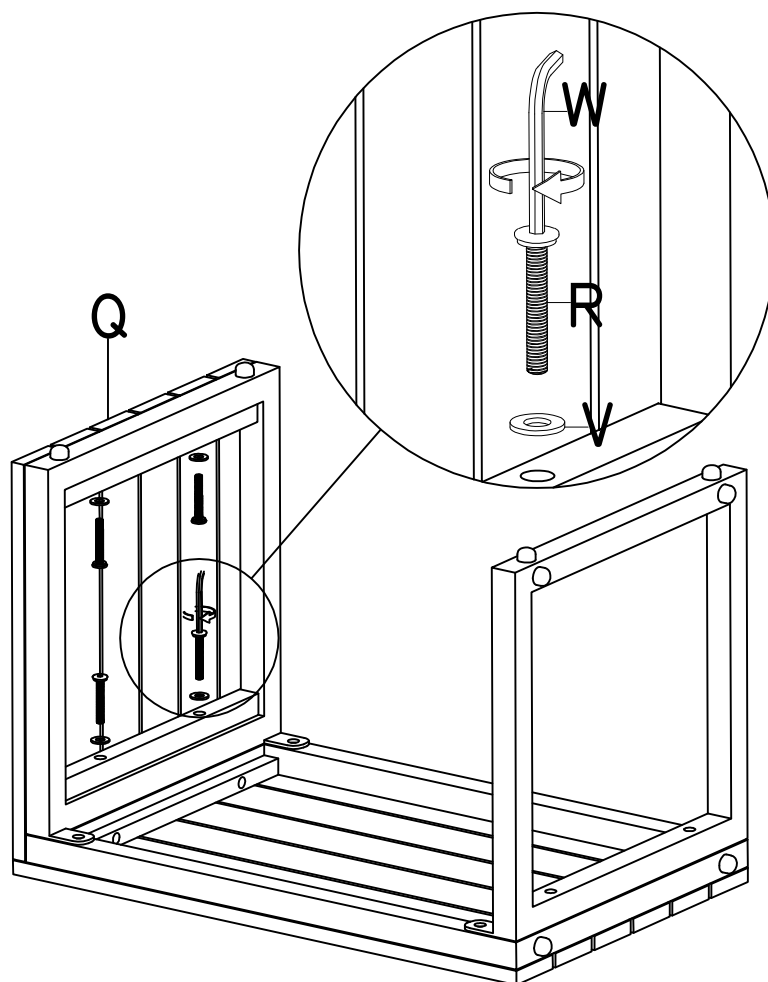
**NOTE:** Do not tighten bolts until all parts are connected.  
Washers must be used.

Step 1

Step 2

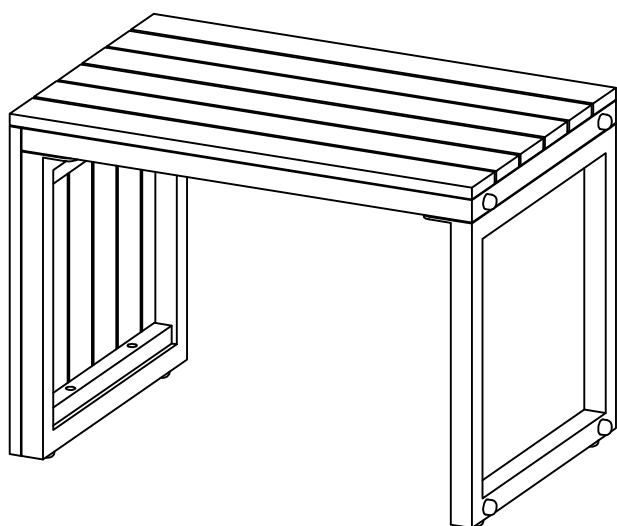


# Step 3

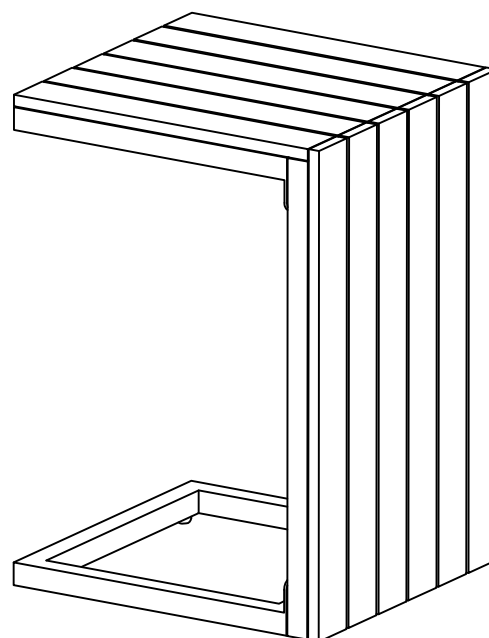


# Completed Unit

**NOTE:** Do not sit on the table.

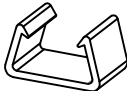


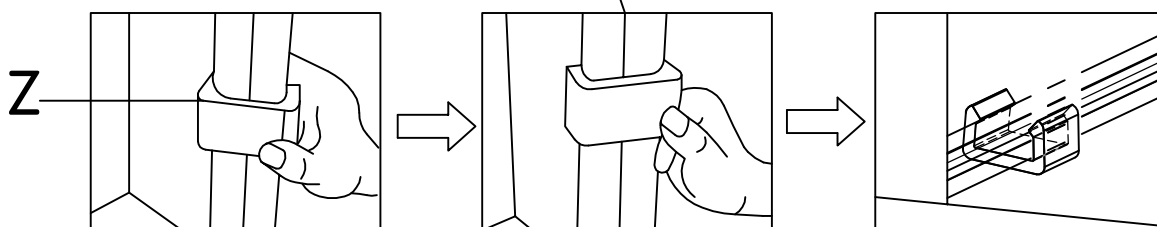
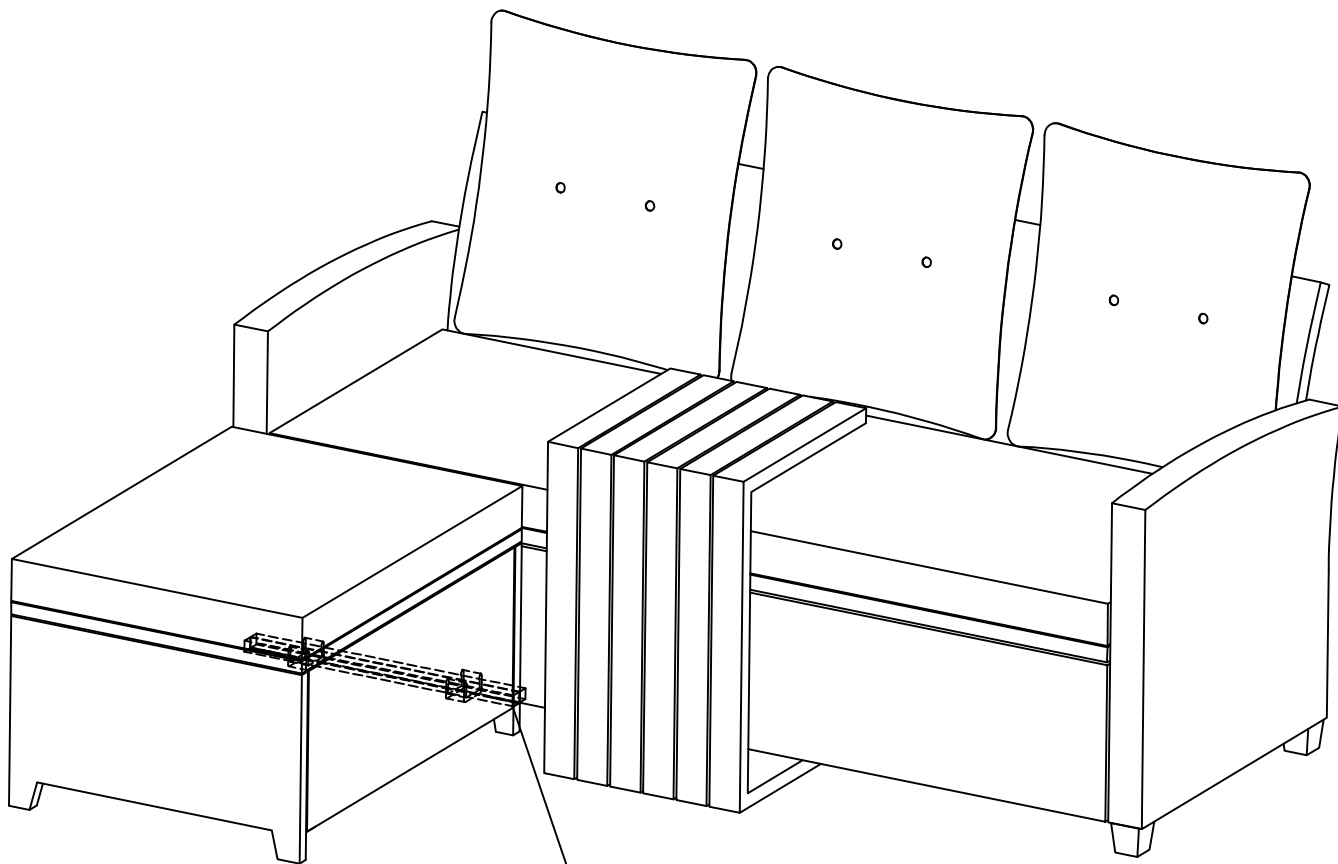
—OR—



# Patio Furniture Clips

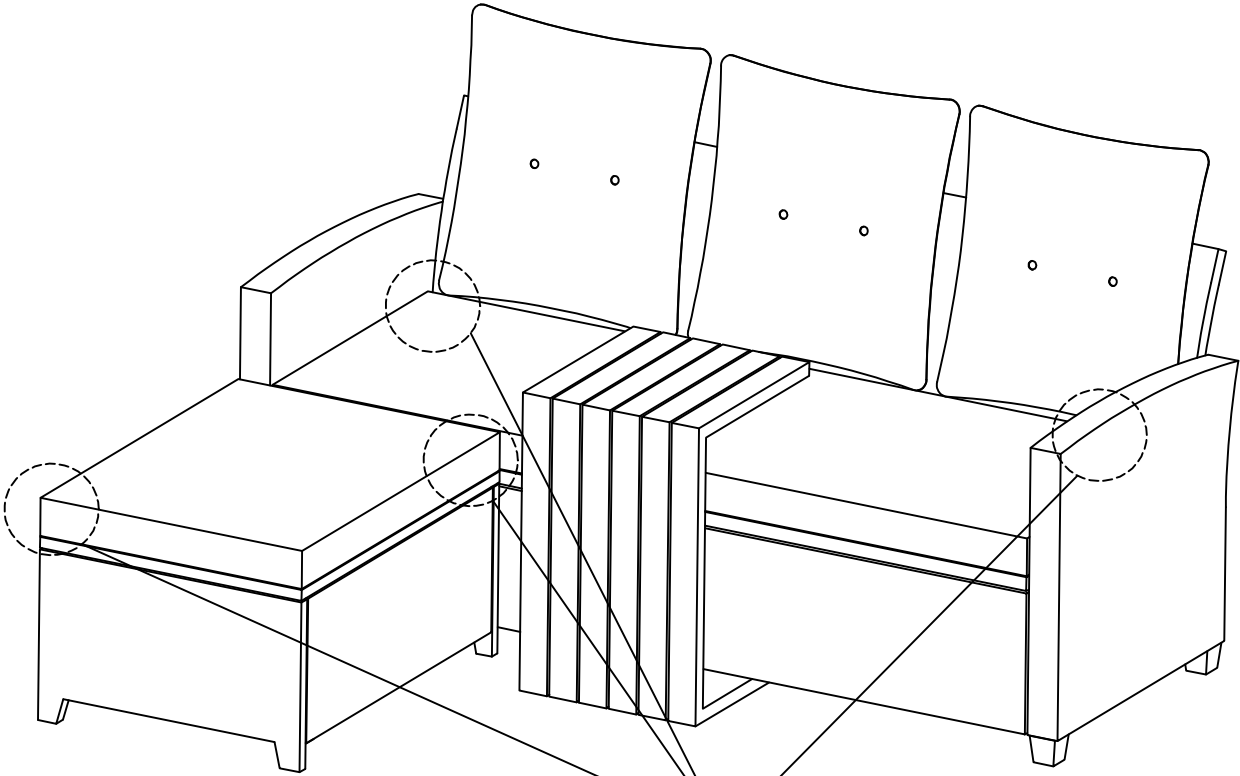
Preventing sofa from moving.  
Used to fix the bottom of the sectional sofa.

| PARTS LIST |   |      |
|------------|---|------|
| Z          |  | 2PCS |

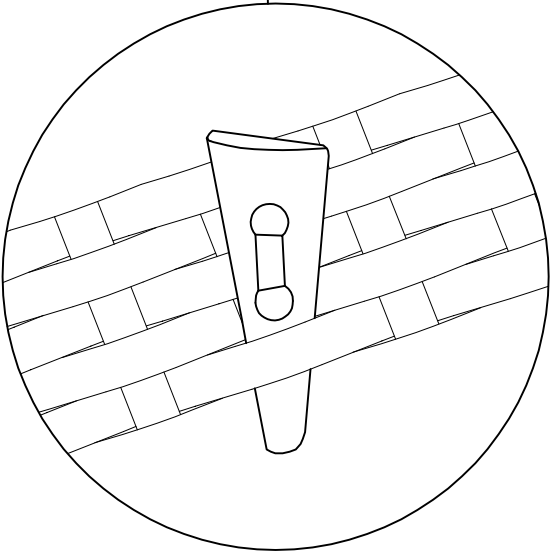
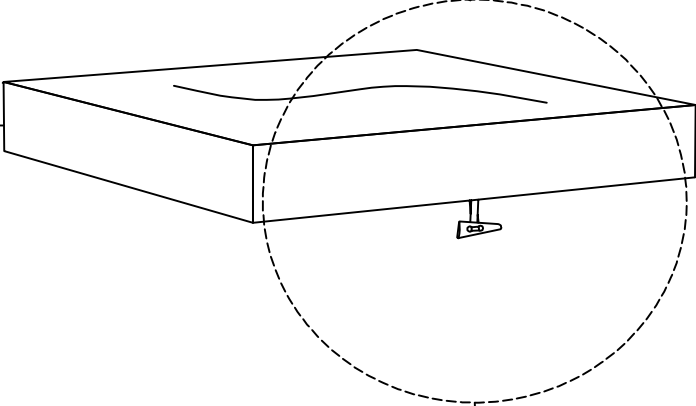


Any problems, Contact us! We are here to help!  
[service@suntone-outdoor.com](mailto:service@suntone-outdoor.com)

**FIX CUSHION BY BUCKLE**



Cushion



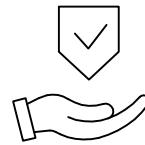
---

# HELP CENTER

---



— Questions about your product? We are here to help. —



■ Please provide **ITEM#** on the first page of the assembly instruction.

---

## NOTICE

- Please do not exceed the weight limitations of this item.
- Do not stand on or use any part of this item as a step ladder.
- Firmly secure all bolts, screws and knobs before use.
- Reconfirm that all bolts, screw, and knobs are secure every 90 days.
- Do not use or store this item in the proximity of open or flame or flammable/combustible chemicals.
- Cover furniture for long-lasting use when left outside during inclement weather or when not in use for long time.
- Never wrap cushions in plastic for storage to prevent mildew.
- Make sure the unit is completely dry before storage.

## WARRANTY PROGRAM

- Return accept for up to 30 days from the date of original delivery.
  - Item returned must be in their original packaging or acceptable packing, along with all accessories in the original shipment.
  - 1-year warranty for the date of original delivery against manufacturer defects under normal use and conditions. Residential use only.
-