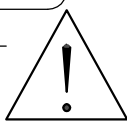
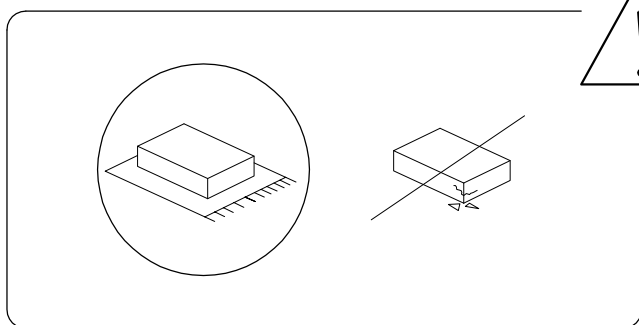
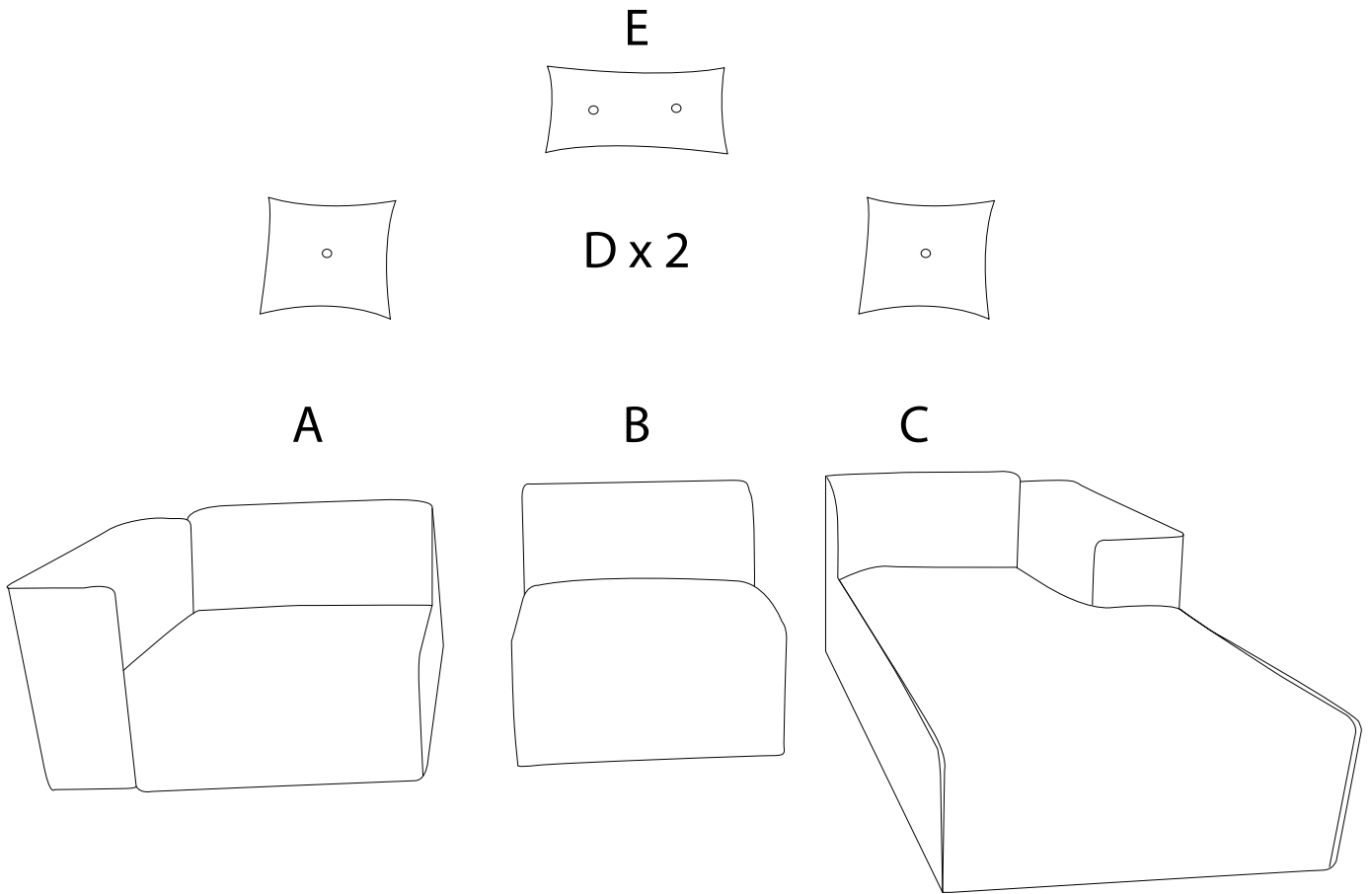
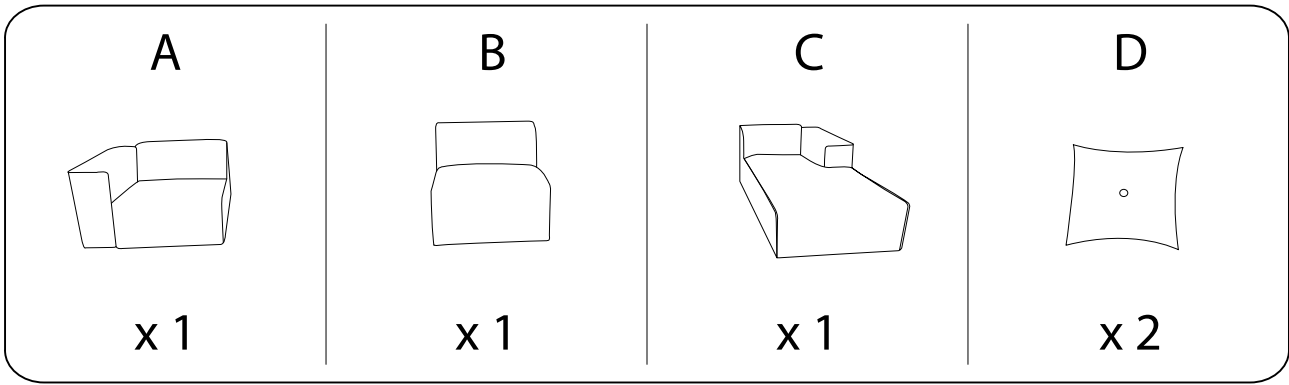


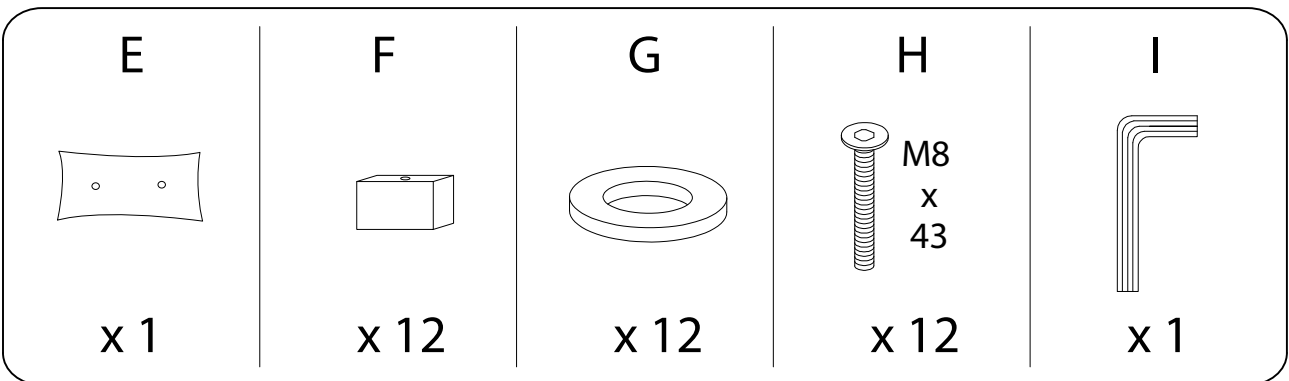
25'



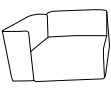
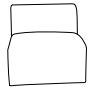
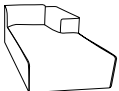
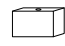

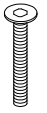
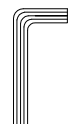
2

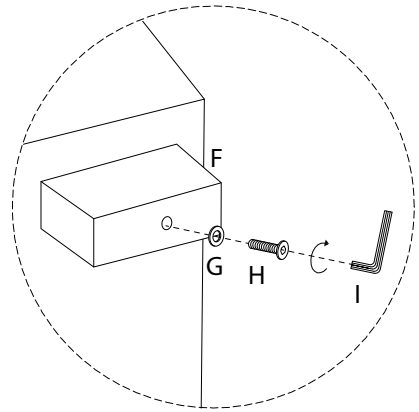
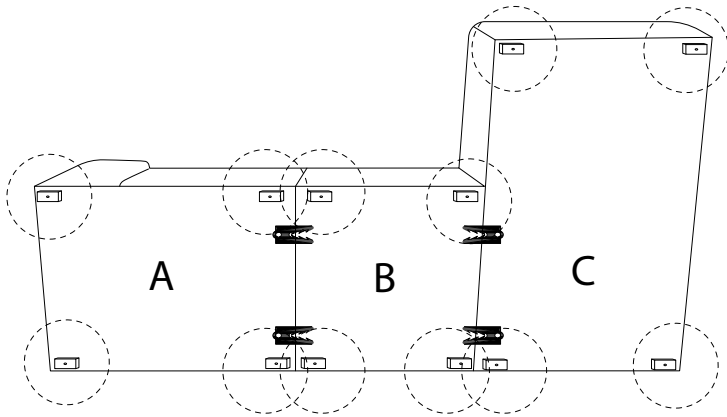


 **F x 12**

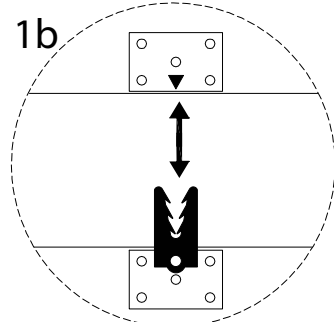
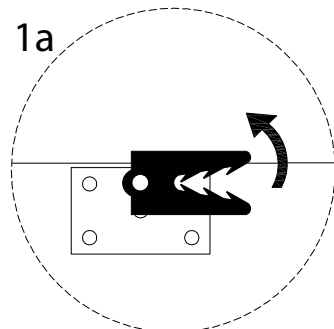
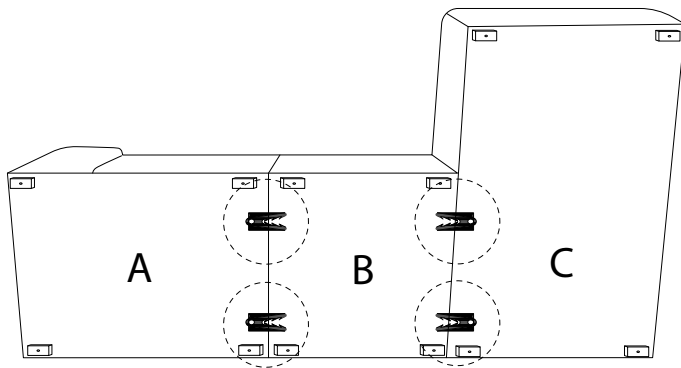


1

<b>A</b>  x1	<b>B</b>  x1	<b>C</b>  x1	<b>F</b>  x12	<b>G</b>  x12	<b>H</b>  x12	<b>I</b>  x1
---	---	---	--	---	--	---



2



3

