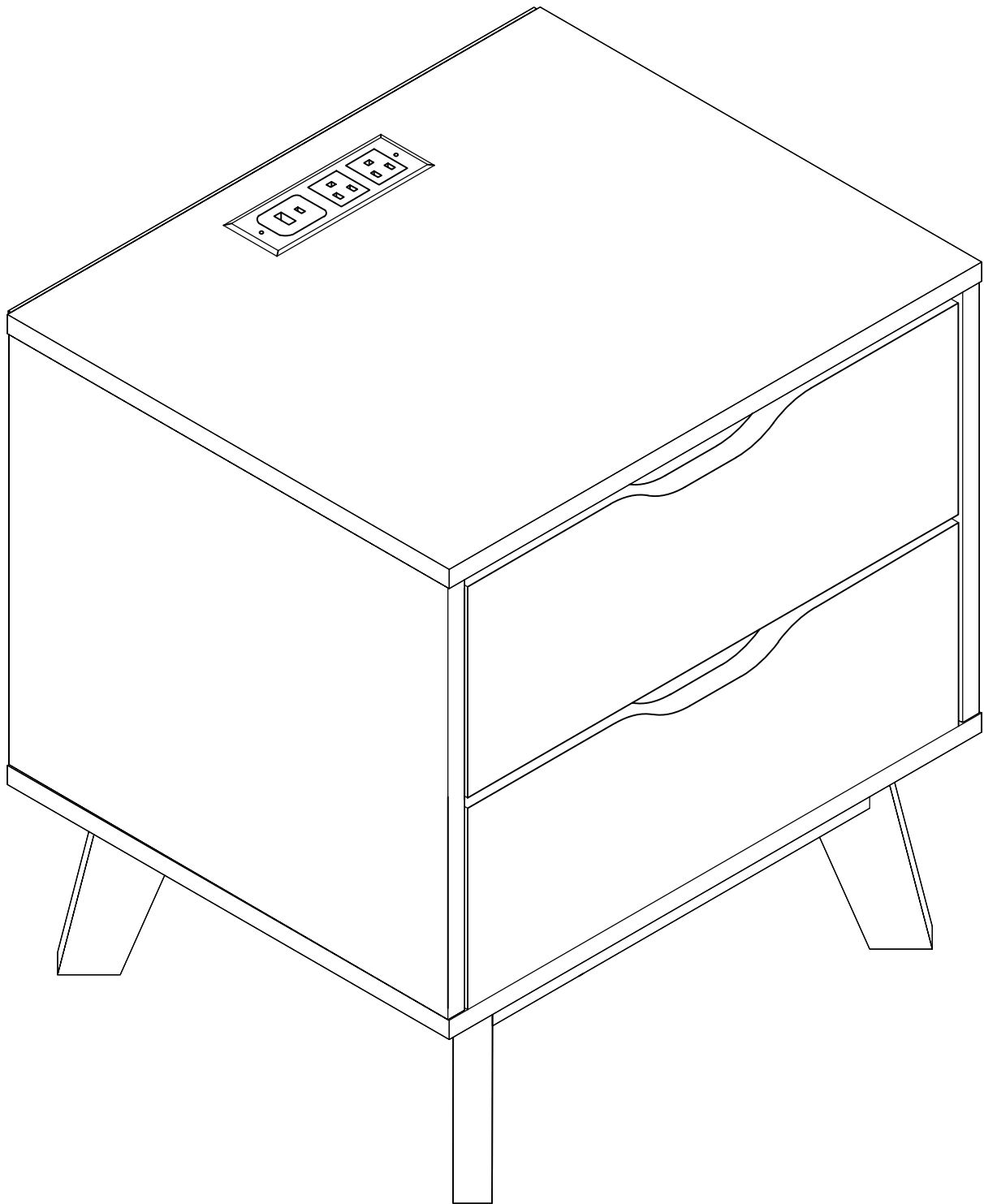
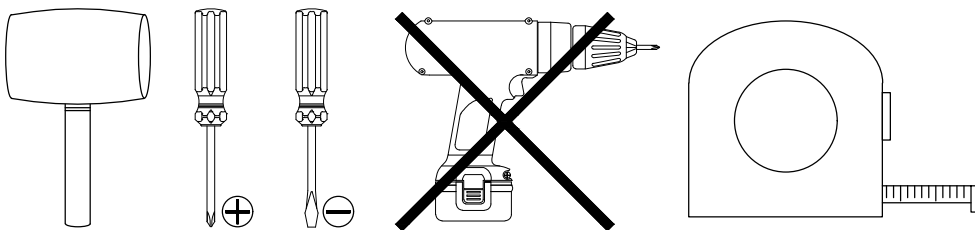


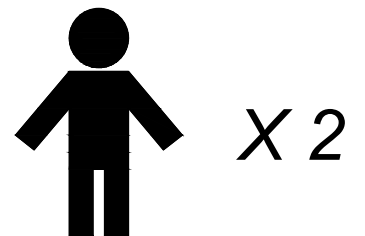
NORDICA 2 DRAWER NIGHT STAND



TOOL REQUIRED



PERSON REQUIRED



IMPORTANT - PLEASE READ CAREFULLY

To protect your furniture, we suggest the following :

- Read the assembly instructions carefully and ensure all components and hardware are present.
- Pay close attention to all the components needed for the step, particularly the ones that are identical (e.g., Left-Right).
- Please make sure you have enough space and people to assemble the product securely.
- To minimize needless product movement once constructed, all components are assembled as close to their intended use as feasible.
- To avoid damaging the product during assembly, please avoid using power tools and over-tightening any fittings.

To protect your furniture, we suggest the following :

- Do not place furniture directly under windows.
- Avoid placing your furniture in direct sunlight.
- Avoid putting knives, forks, and other sharp objects straight onto your furniture as they could scratch and harm the finish.
- To clean your furniture, use an absorbent cloth that is soft, dry, and free of lint. Avoid using detergents since they could include substances that react and harm the finish.
- Clean up spills quickly. Water left over a prolonged period of time may cause damage. Alcohol, perfume, nail polishes, aftershave and some medication may cause severe finish damage if not cleaned immediately.

ASSEMBLY INSTRUCTION














MODEL : NORDICA 2 DRAWER NIGHTSTAND





Thanks you for purchasing this quality product. Be sure to lay all components on a soft and clean surface before assembly in order to avoid components from being scratched.

CAUTIONS :

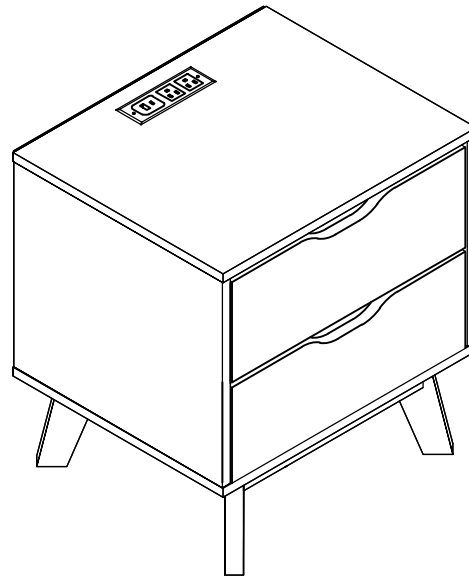
1. Check contents against list for quantity.
2. Familiarize yourself with the components and hardware by reviewing the Assembly Instructions.
3. Do not over tightened the screws and bolts as it may damage the threads.

PAGE : 1 OF 7

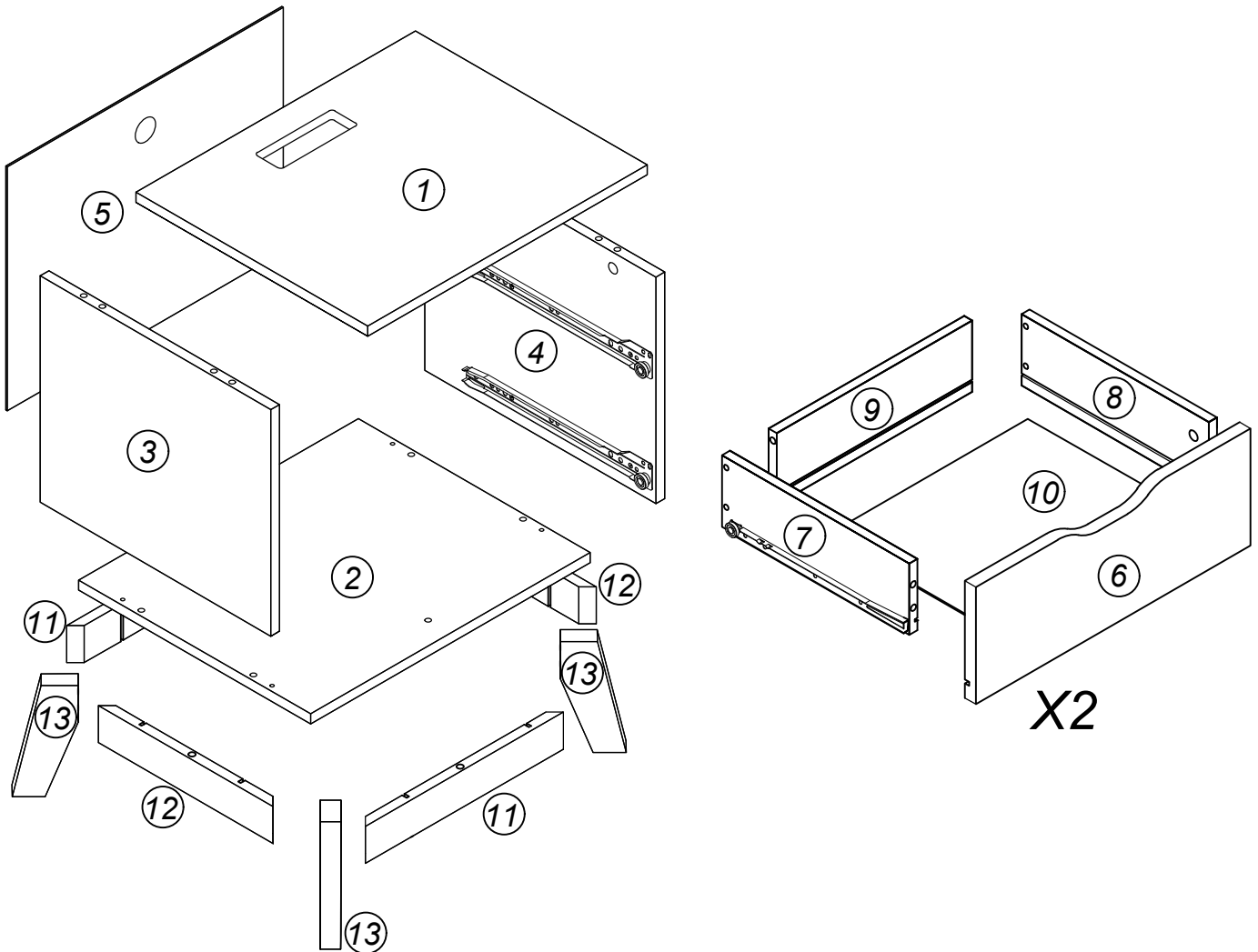
NO	DESCRIPTION		QTY
A	MINIFIX 16MM		4
B	MINICAM 16MM		4
C	WASHER		8
D	ALLEN KEY		1
E	DOWEL 8 X 30 MM		10
F	CSK M4 X 38 MM		6
G	NAIL		10
H	METAL CORNER		4
I	JCBC M6 X 20MM		8
J	CSK M3.5 X 16 MM		26
K	E.V.A RUBBER FOAM 15 X 30 X 2mm		4
L	CAP WOOD SCREW M6 X 50MM - SILVER		4
M	MINIFIX 5807 (12mm)		4

NO	DESCRIPTION		QTY
N	MINICAM 5574 (12mm)		4
O	WOOD DOWEL 6 X 30MM		4
P	CSK M4 X 32 MM		8
Q	MULTIPLE COMPUTER TRAILING TYPE C		1

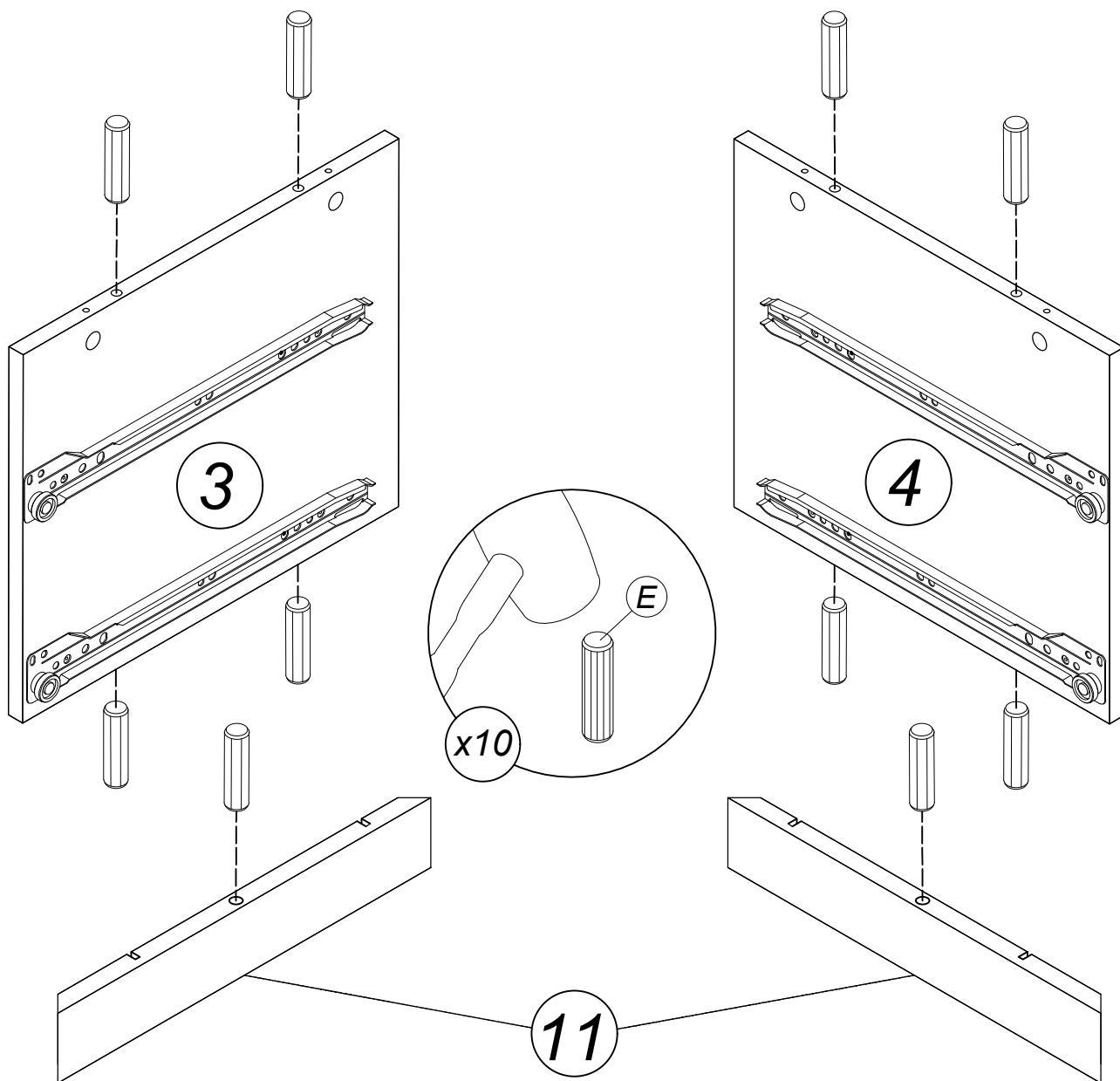
FULL SETUP



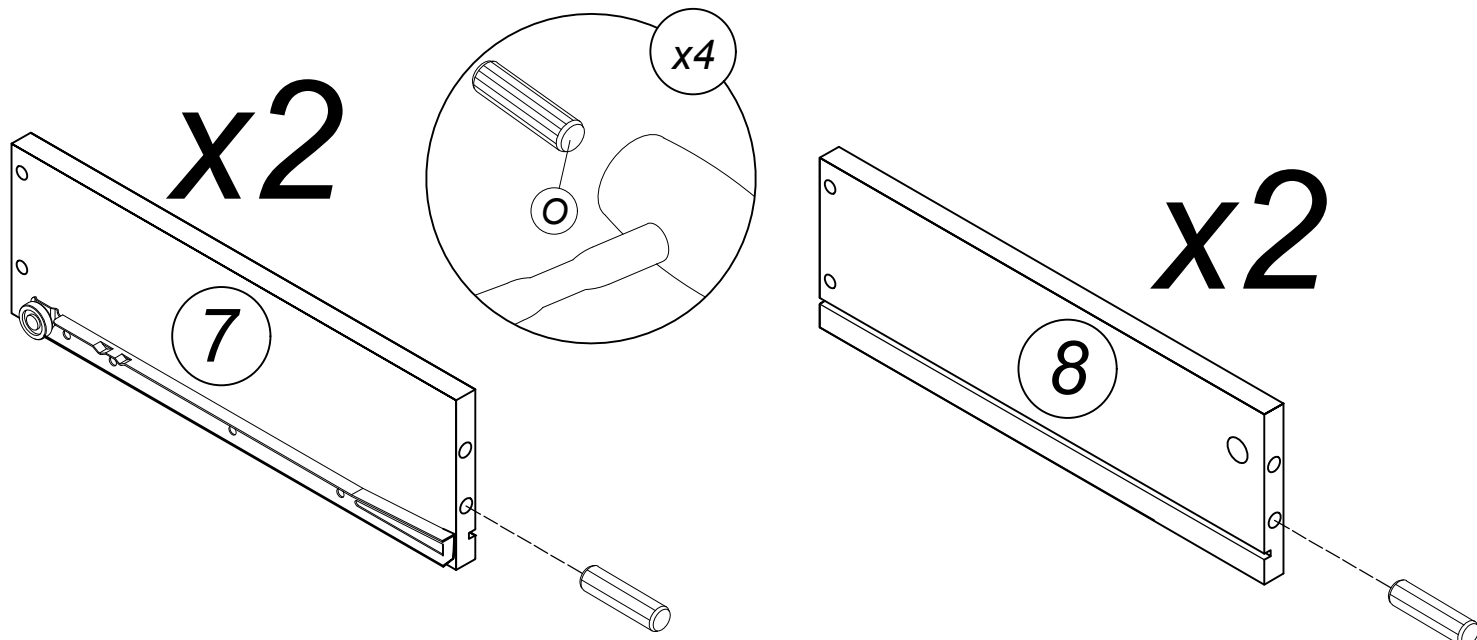
PARTLIST



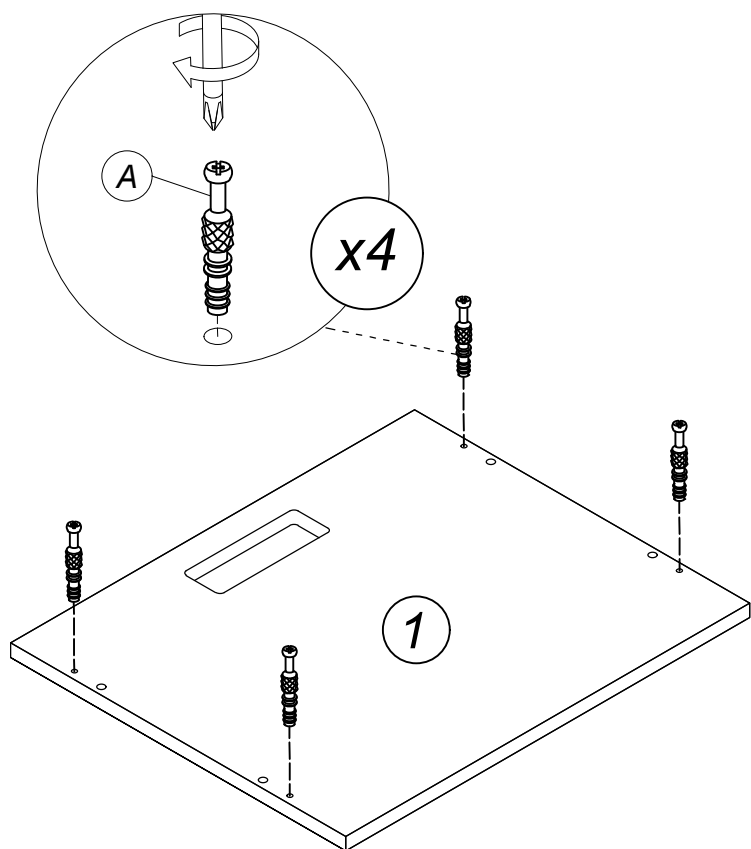
STEP 1



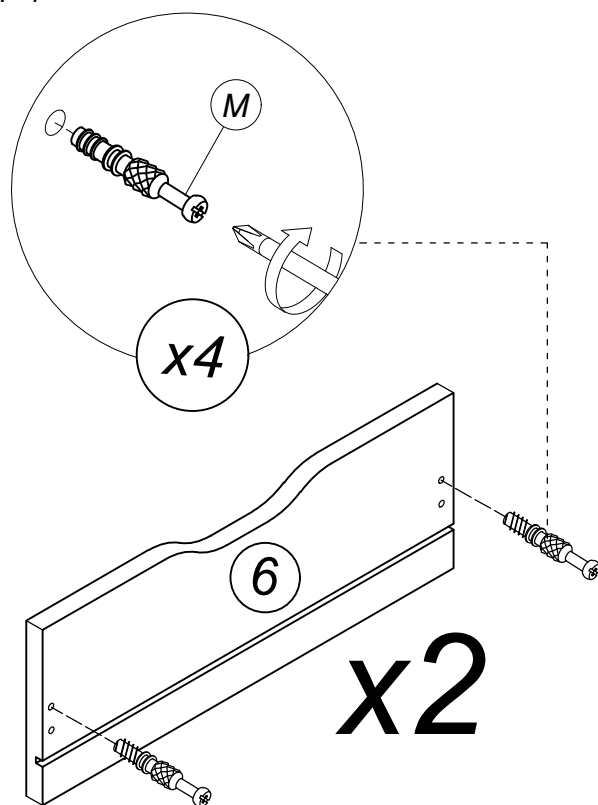
STEP 2



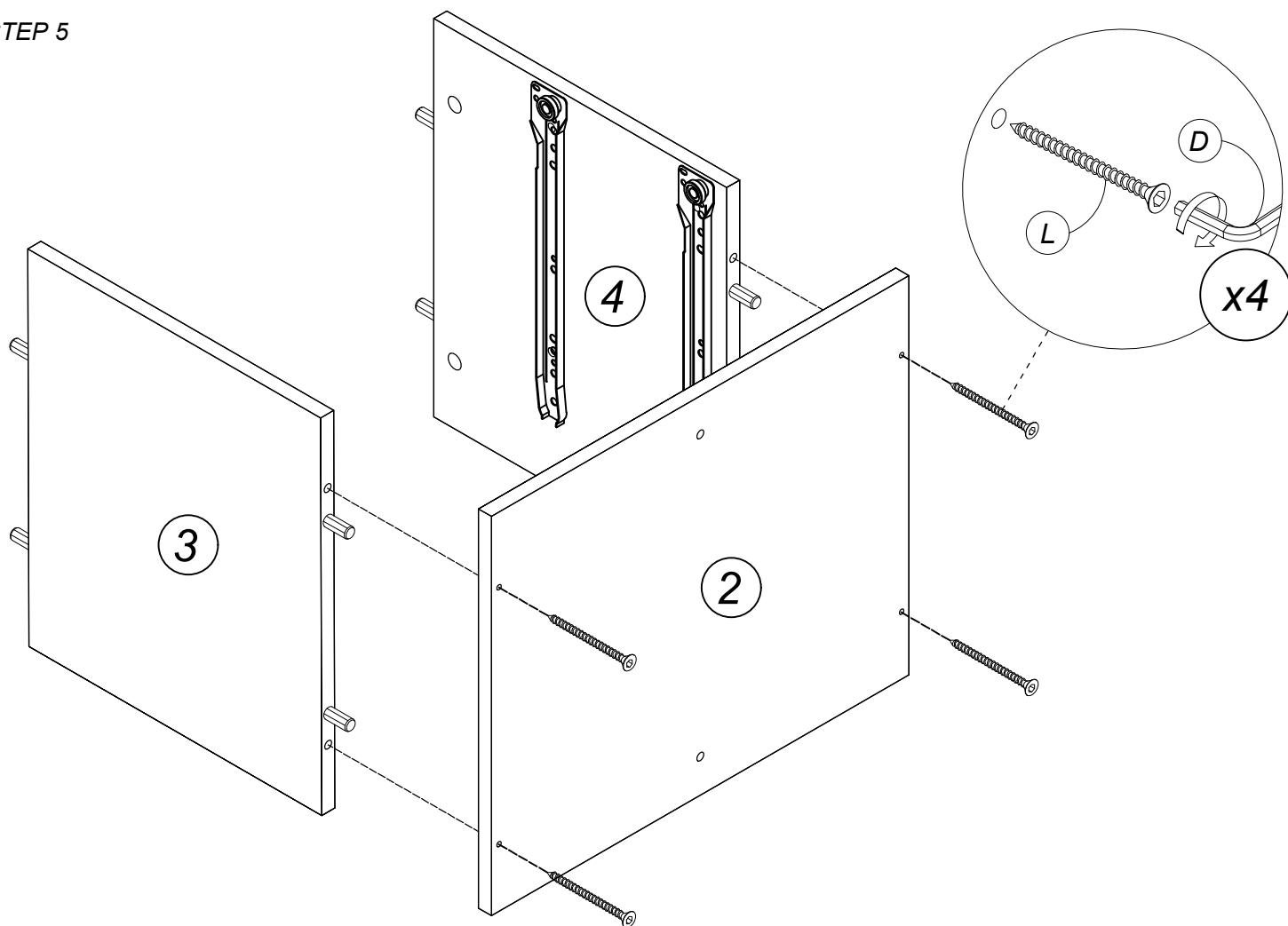
STEP 3



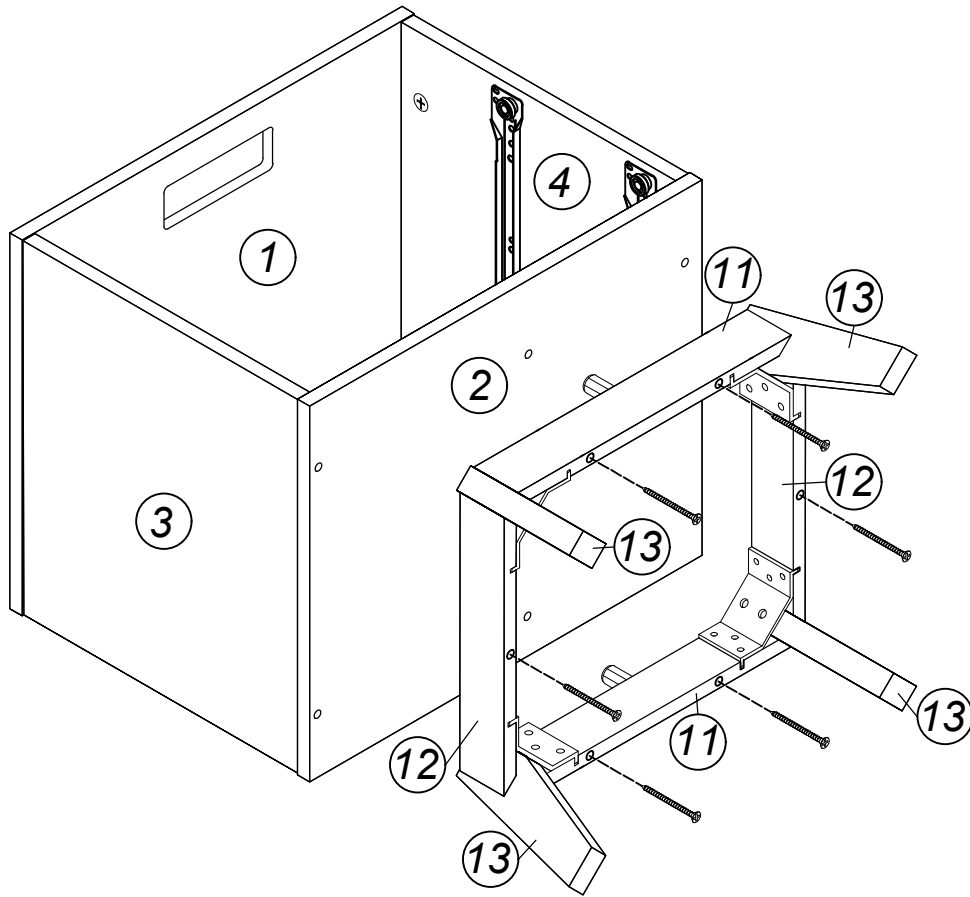
STEP 4



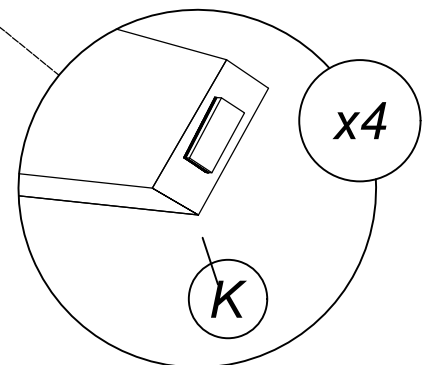
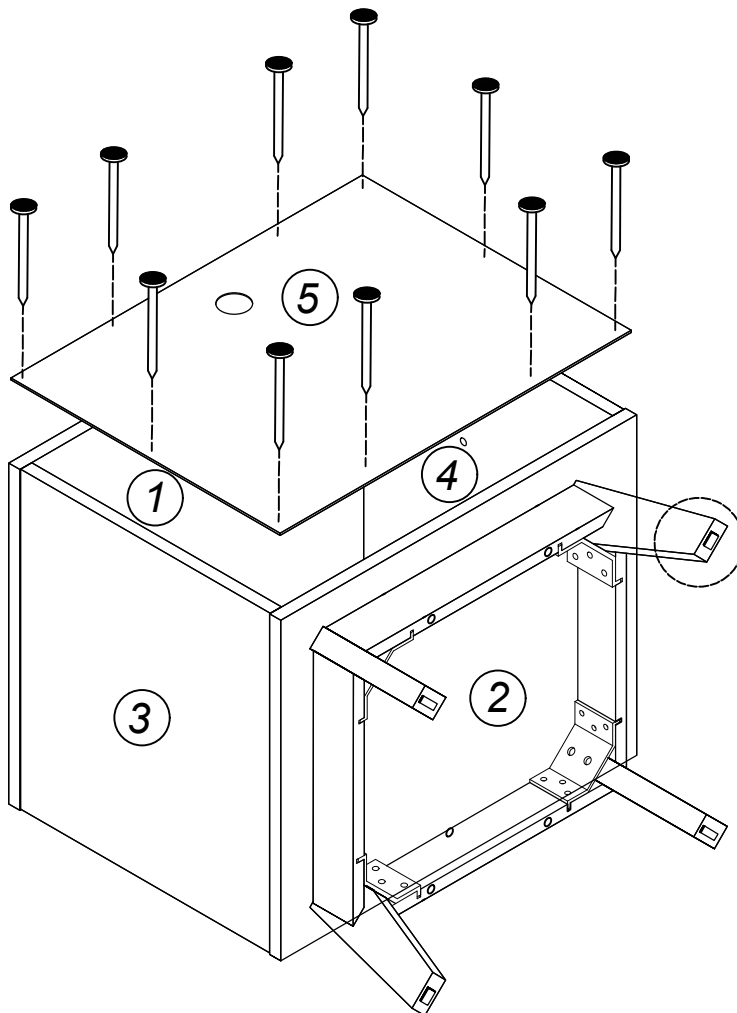
STEP 5



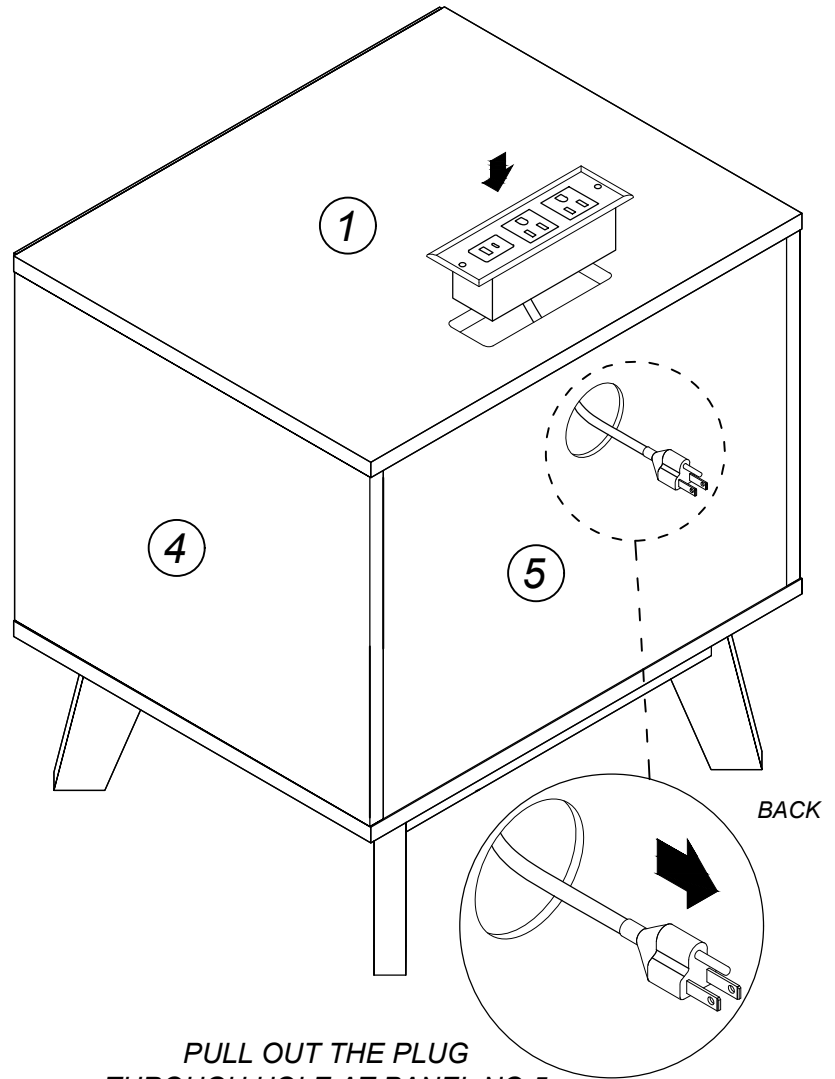
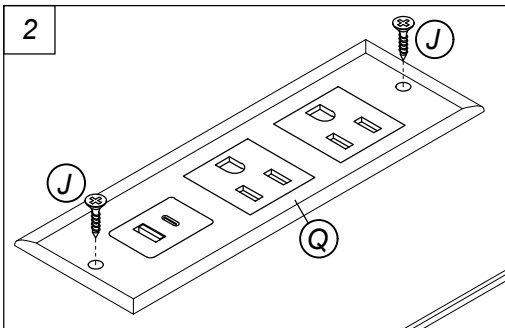
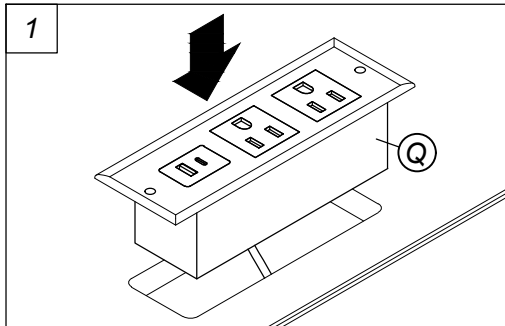
STEP 8



STEP 9

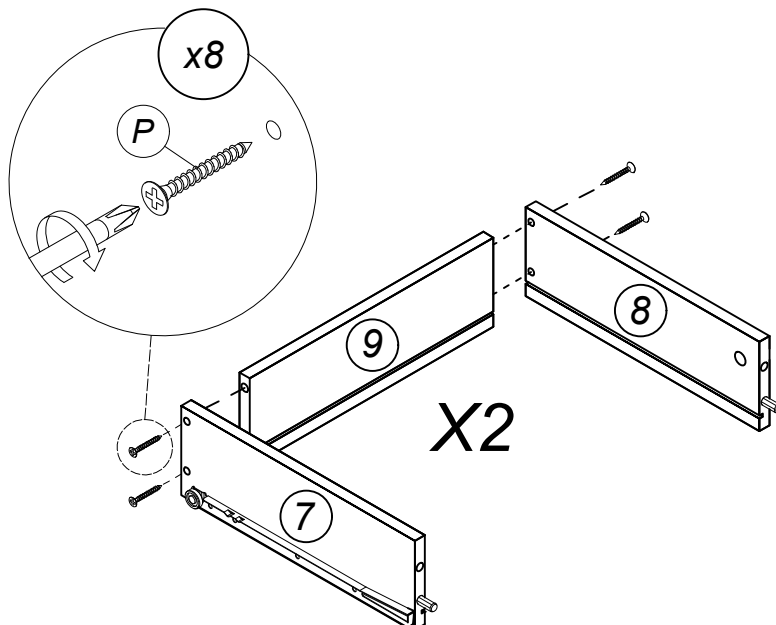


STEP 10

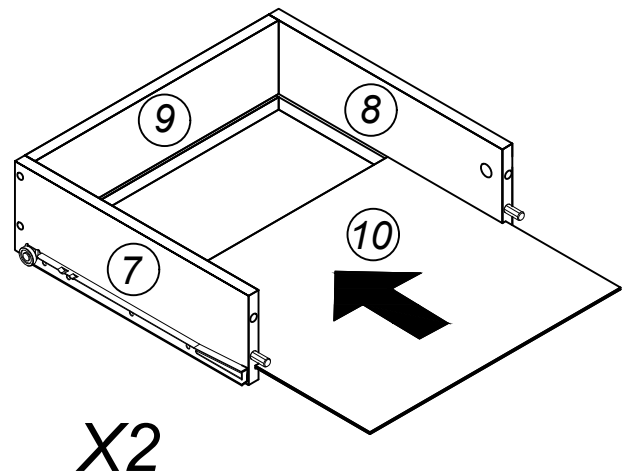


PULL OUT THE PLUG
THROUGH HOLE AT PANEL NO 5

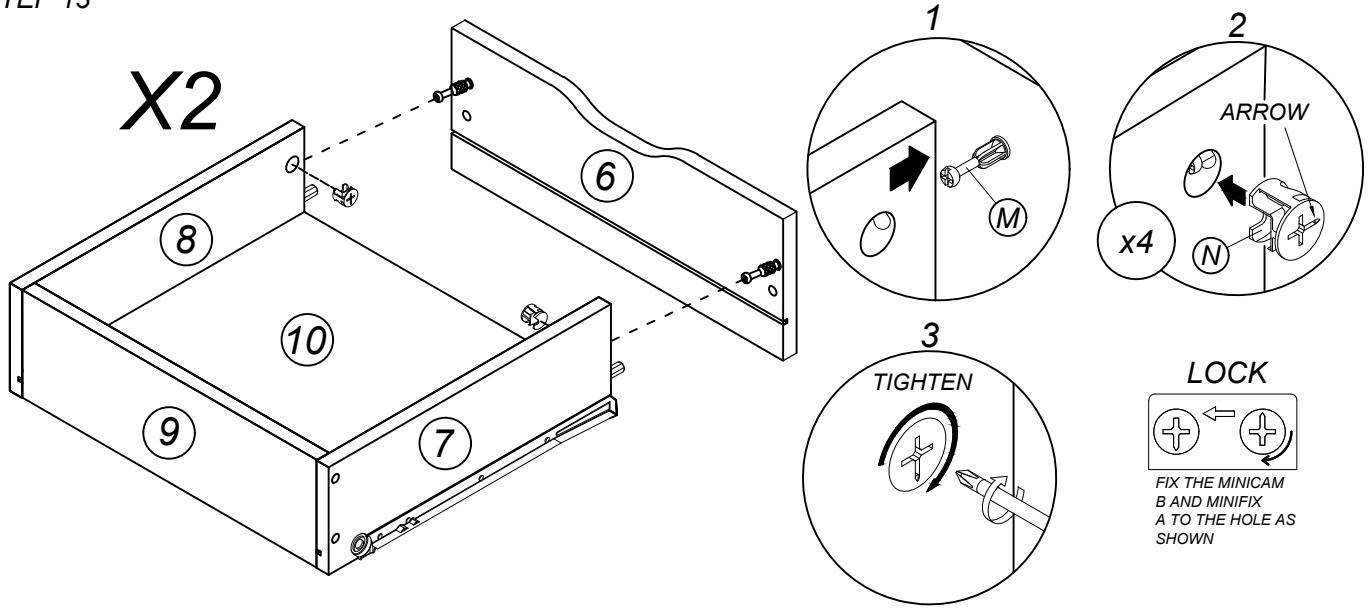
STEP 11



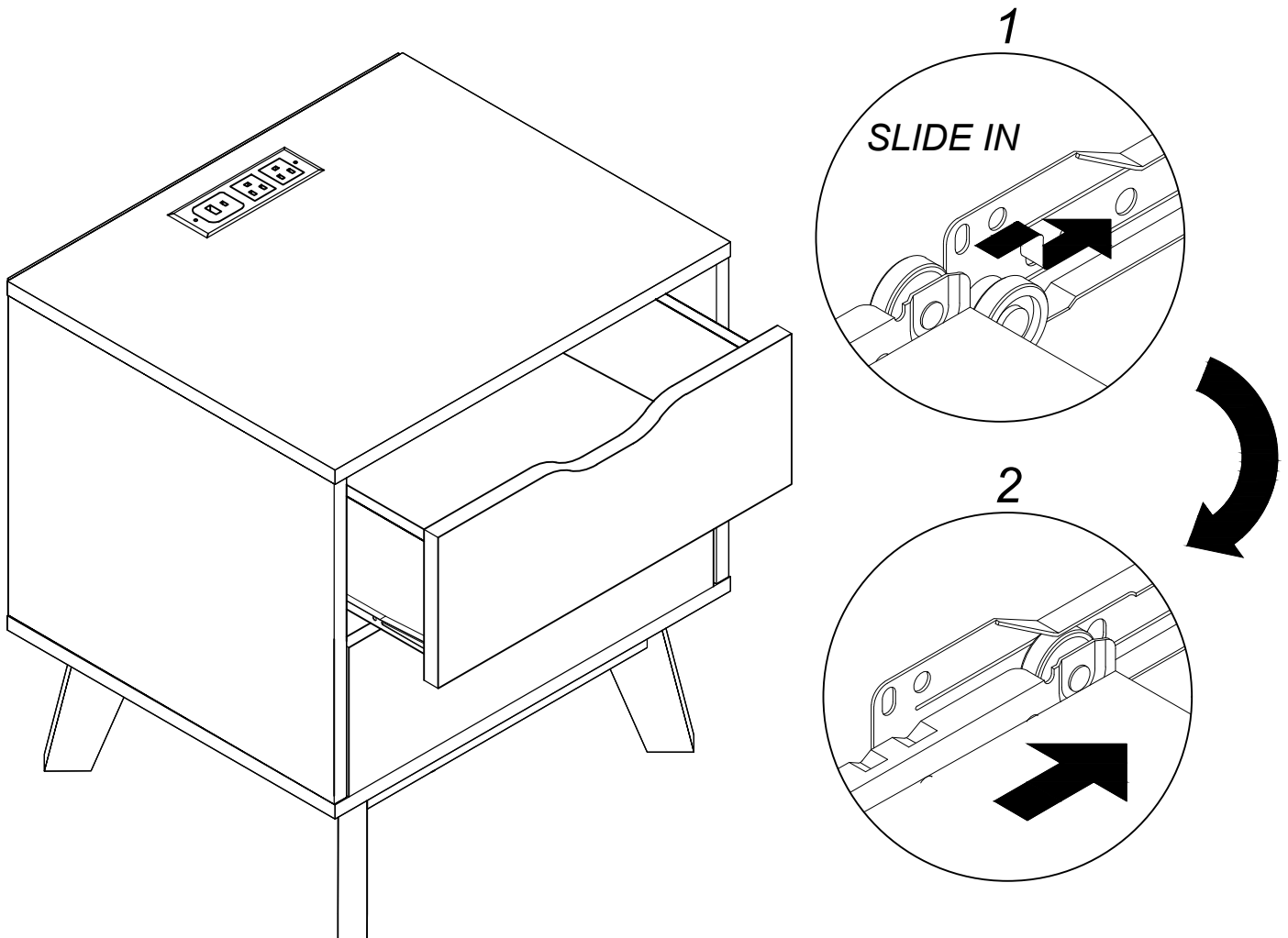
STEP 12



STEP 13

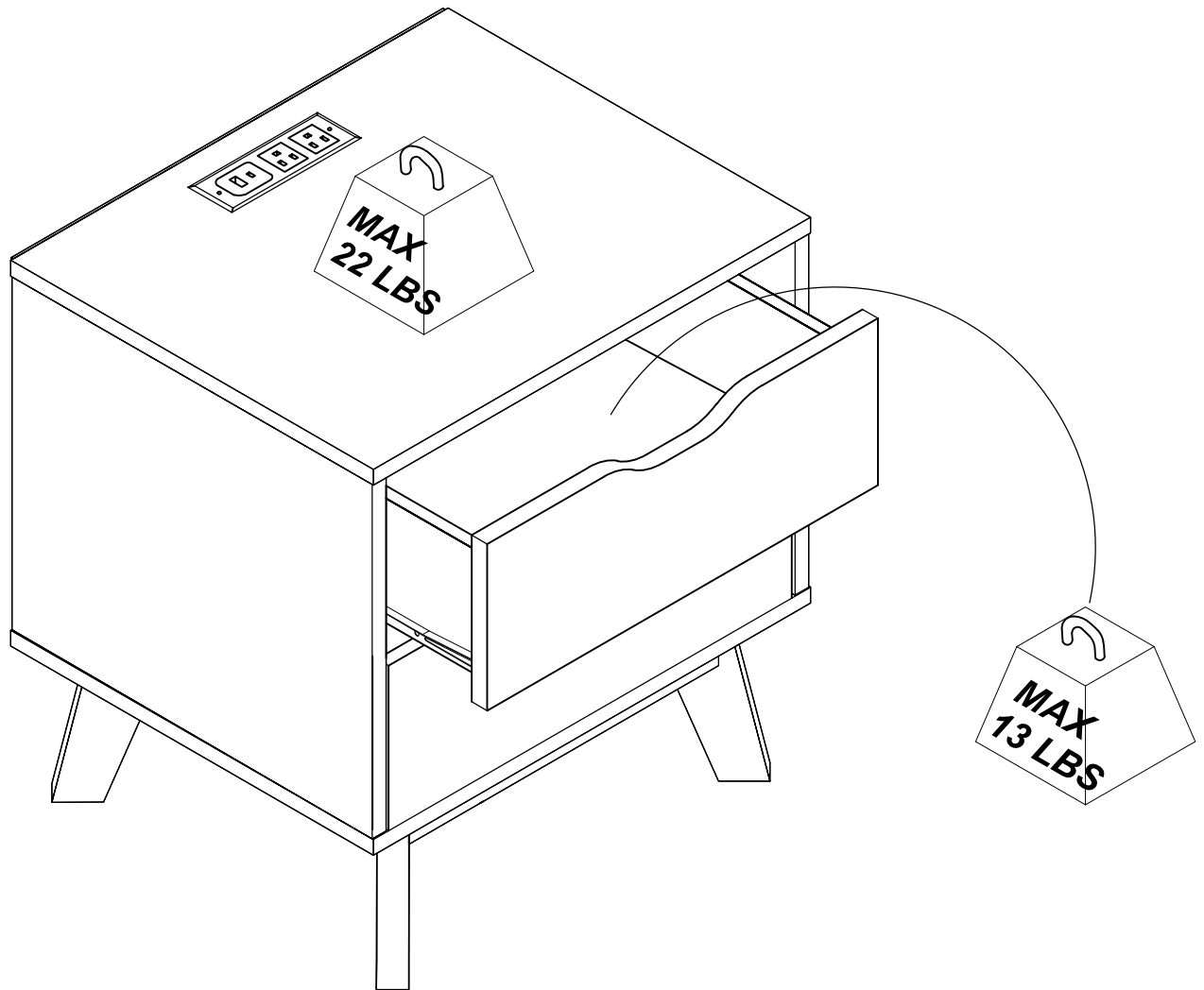


STEP 14



MAXIMUM LOAD

This units has been design to support the maximum loads. Exceeding these load limits could cause sagging, instability, product collapse, and/or serious injury.



WARNING

Serious or fatal injuries can occur from falling furniture.

To prevent furniture from falling, please do:

- Place heaviest items in the lowest rack.
- Unless specifically designed, do not place any heavy object on top of the furniture.
- Do not let children climb or hang on drawers, doors, or shelves.