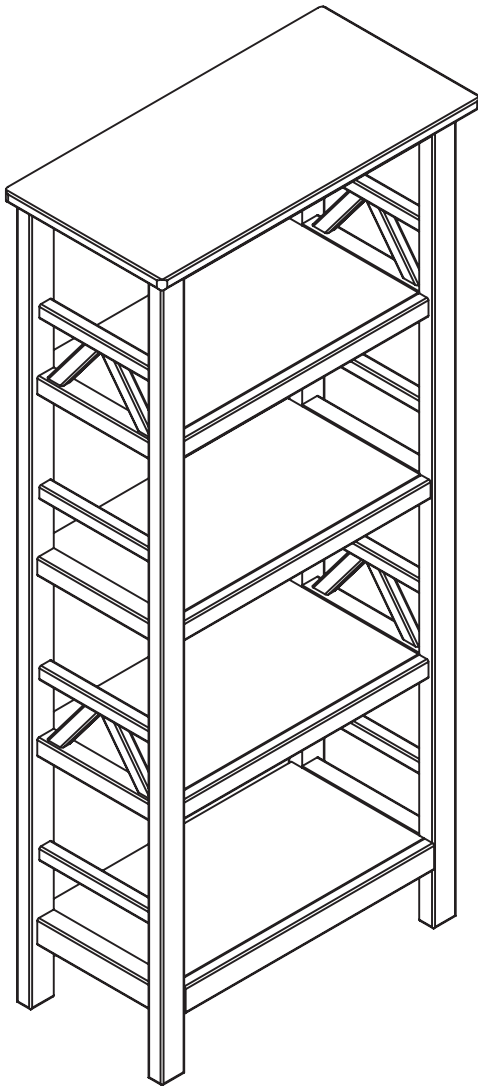


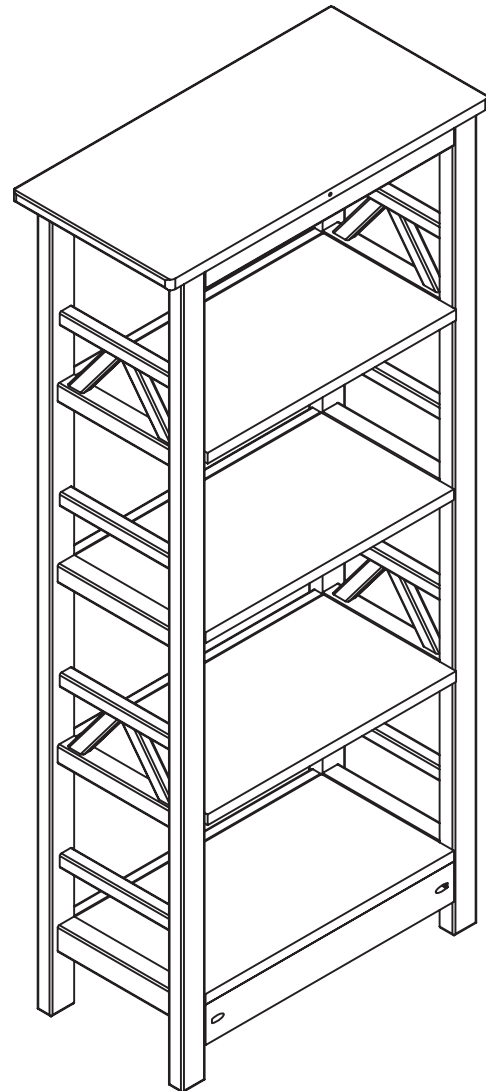
---

# ASSEMBLY INSTRUCTIONS

## BOOKCASE



**Front view**

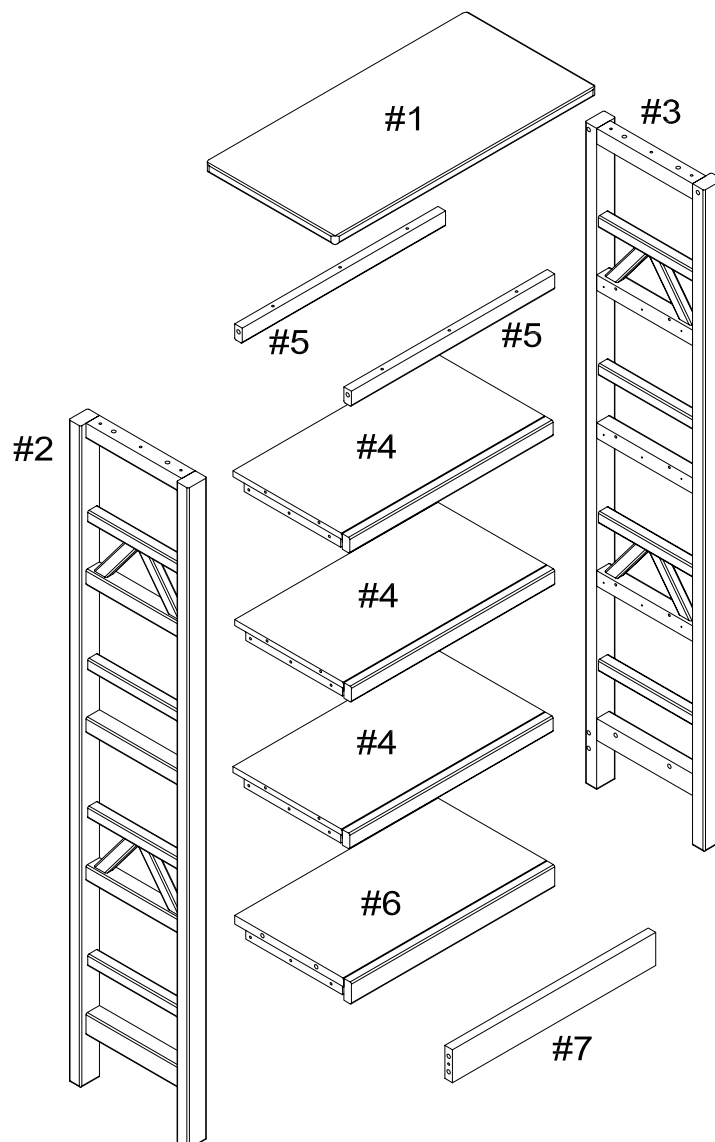


**Back view**

---

## PARTS IDENTIFICATION


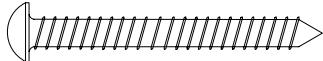

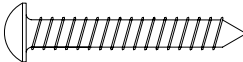
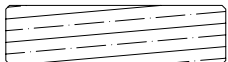
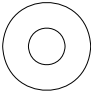
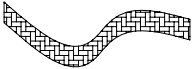

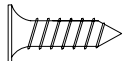

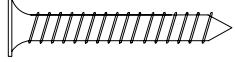
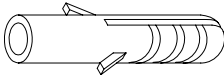

| ITEM | DESCRIPTION  | QTY |
|------|--------------|-----|
| #1   | TOP SHELF    | 01  |
| #2   | LEFT SIDE    | 01  |
| #3   | RIGHT SIDE   | 01  |
| #4   | CENTER SHELF | 03  |
| #5   | TOP RAIL     | 02  |
| #6   | BOTTOM SHELF | 01  |
| #7   | BOTTOM RAIL  | 01  |



For ease of identification all parts are labeled to correspond to the Step number in which the part is used.

## HARDWARE IDENTIFICATION

Please line up the hardware with the correct full size image to make sure you are installing the hardware correctly.

| ITEM | PICTURE   | DESCRIPTION              | QTY                |
|------|---|--------------------------|--------------------|
| A    |       | (Ø4x40mm)<br>Full size   | SCREW<br>12        |
| B    |       | (Ø4x30mm)<br>Full size   | SCREW<br>26        |
| C    |    | (Ø8x30mm)<br>Full size   | WOODEN DOWEL<br>16 |
| D    |   | (Ø12mm)<br>Full size     | FLAT WASHER<br>02  |
| E    |    | Not to Scale             | STRAP<br>01        |
| F    |   | (Ø3.5x15mm)<br>Full size | WOOD SCREW<br>01   |
| G    |   | (Ø3.5x30mm)<br>Full size | WALL SCREW<br>01   |
| H    |    | (30mm)<br>Not to Scale   | WALL ANCHOR<br>01  |
| I    |    | (Ø6x30mm)<br>Full size   | WOODEN DOWEL<br>12 |

Tools required

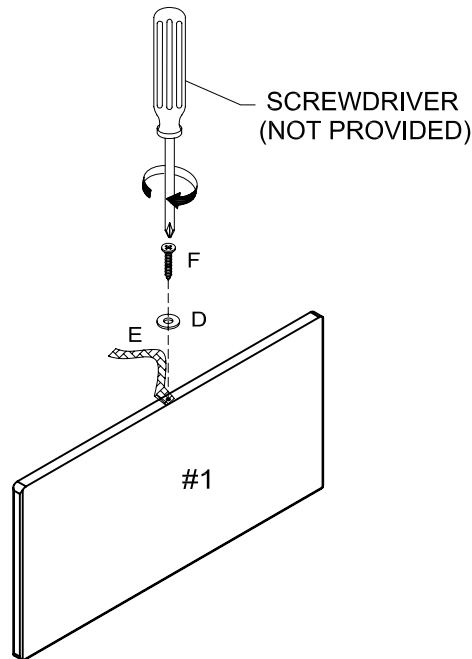


Long screwdriver

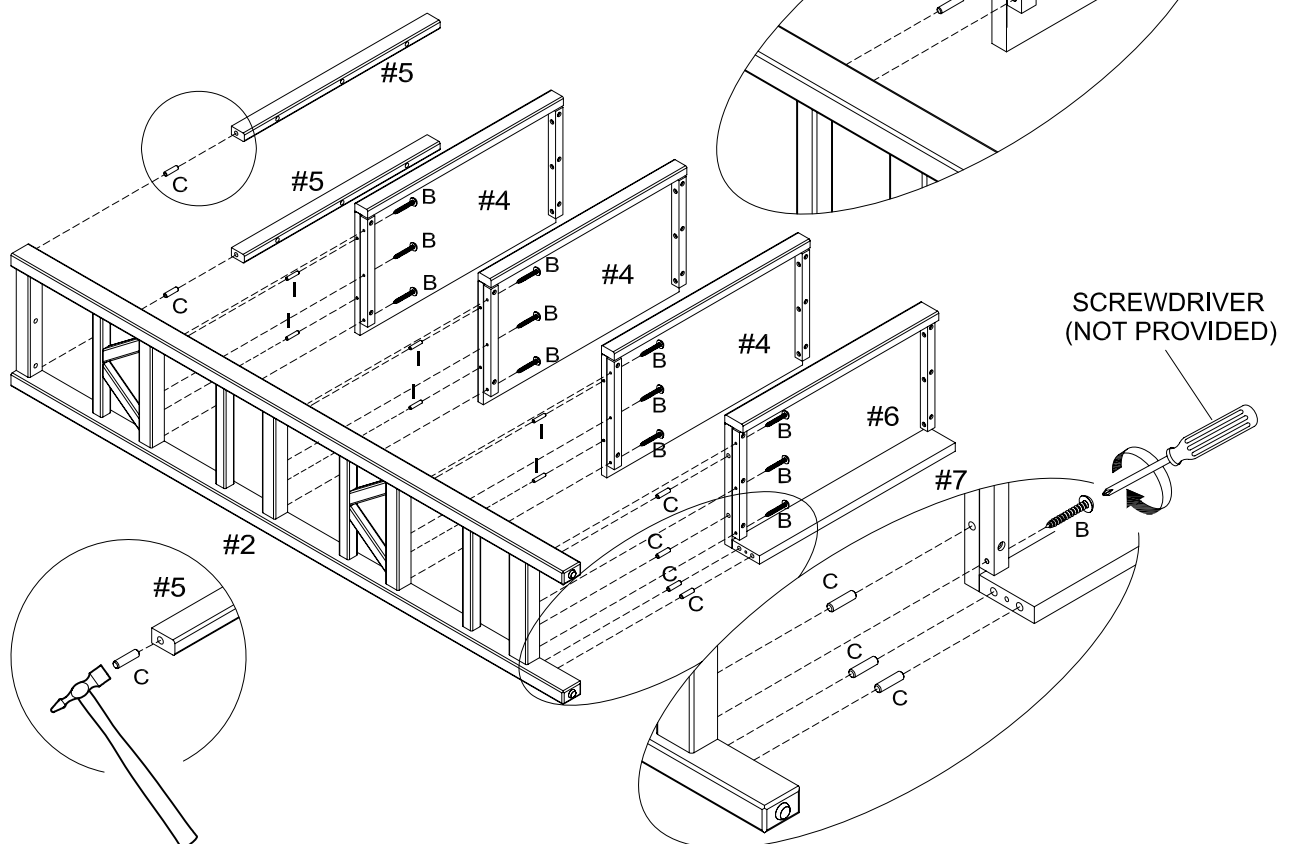


Small  
hammer

STEP 1.



STEP 2.

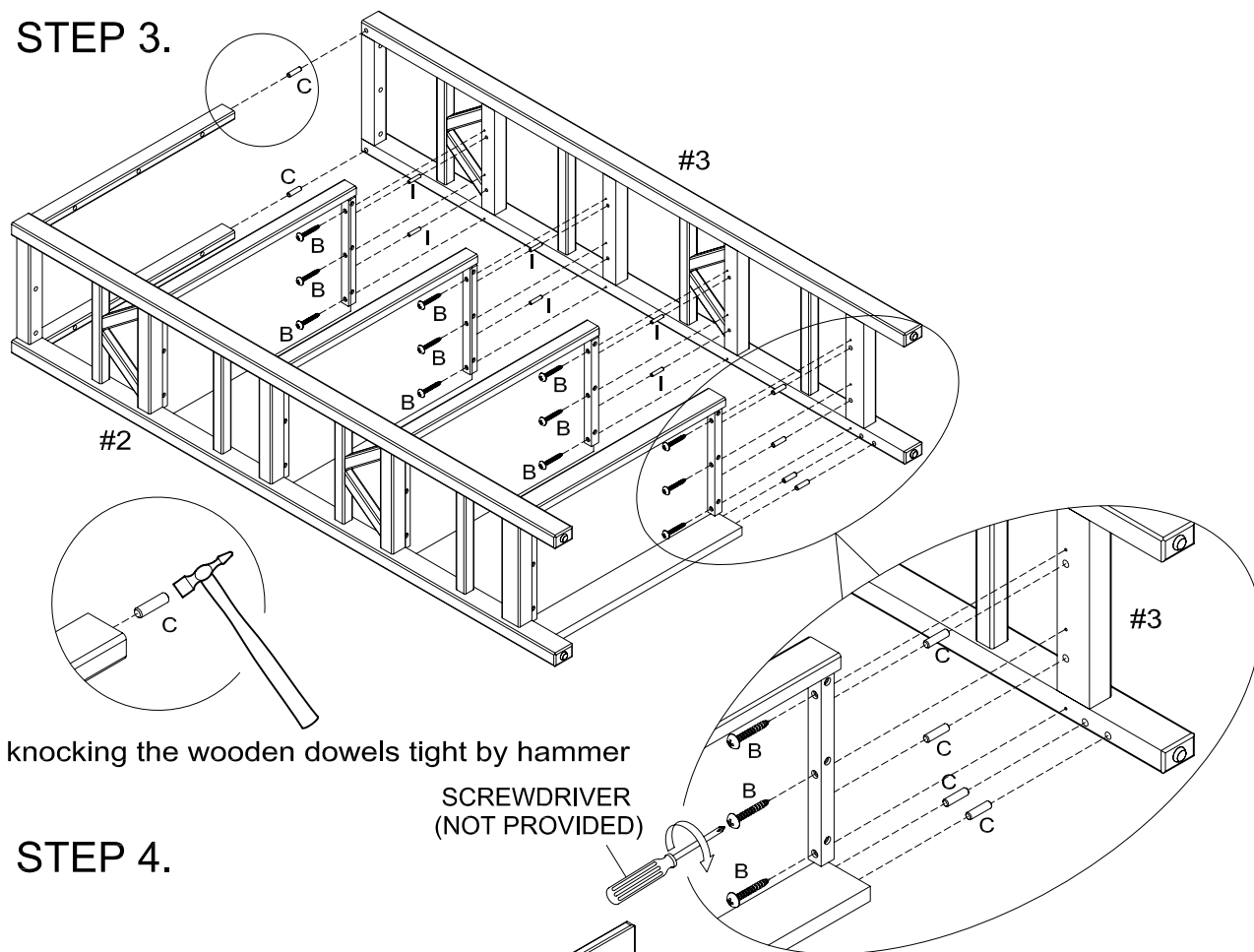


knocking the wooden dowels tight by hammer

**IMPORTANT:**

1. DO NOT TIGHTEN BOLTS COMPLETELY UNTIL ALL BOLTS ARE COMPLETELY LINED UP AND INSERTED INTO HOLES / NUTS.
2. DO NOT OVER TIGHTEN SCREWS AND BOLTS TO AVOID STRIPPING.

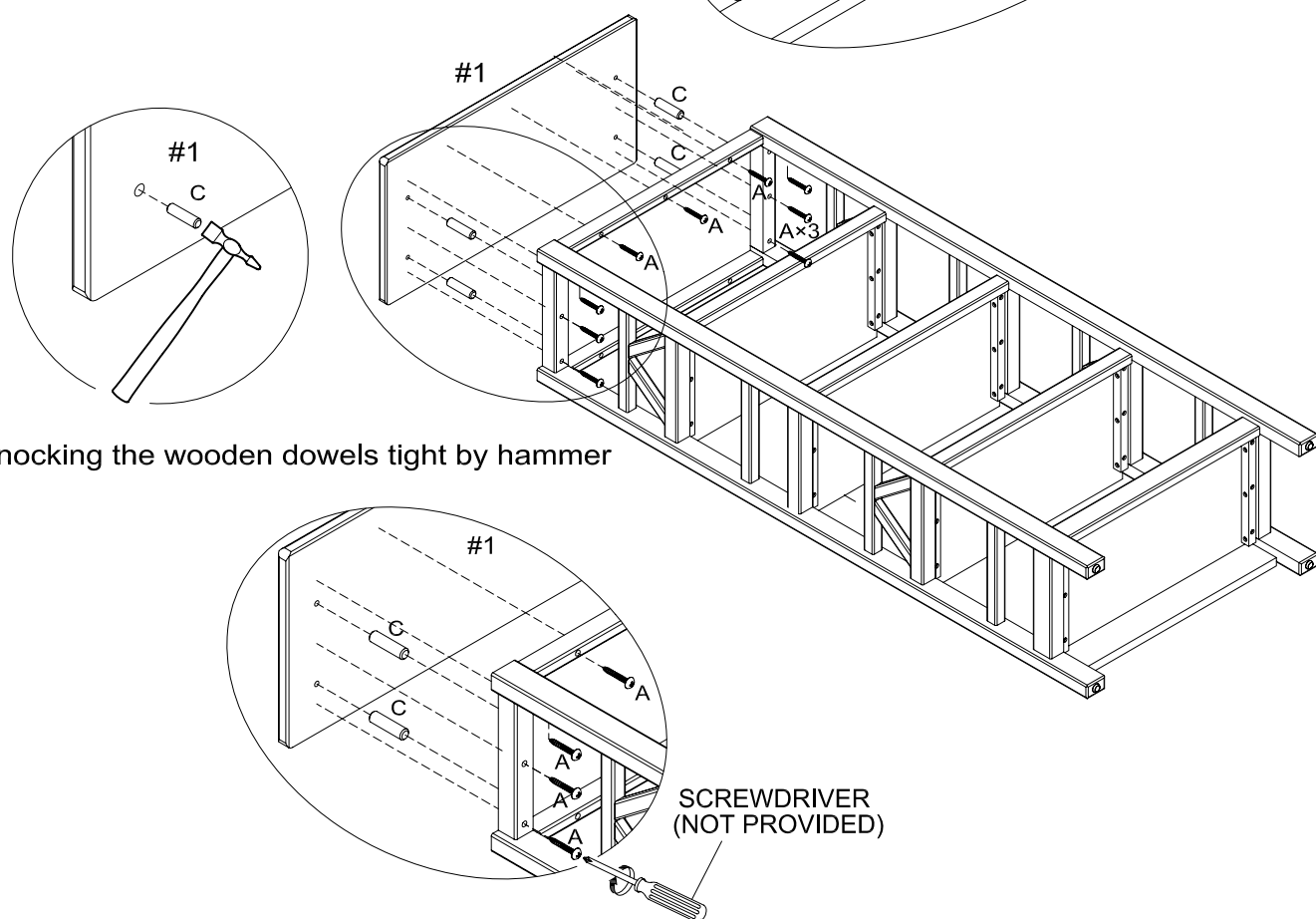
STEP 3.



knocking the wooden dowels tight by hammer

SCREWDRIVER  
(NOT PROVIDED)

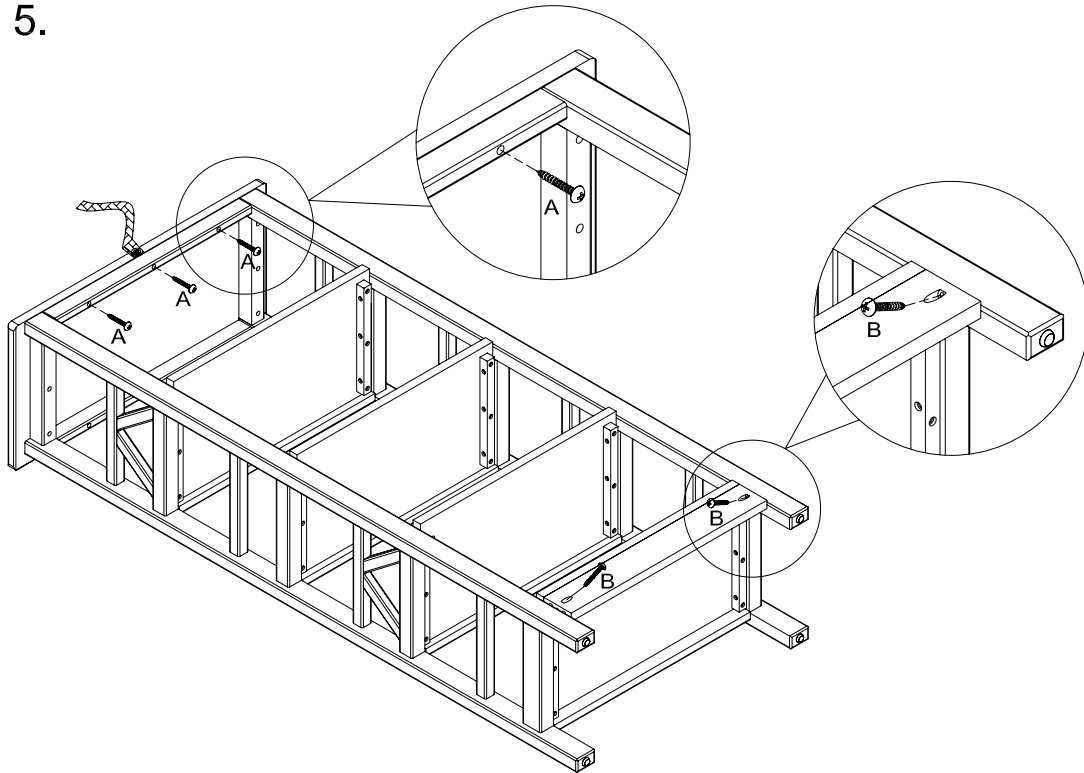
STEP 4.



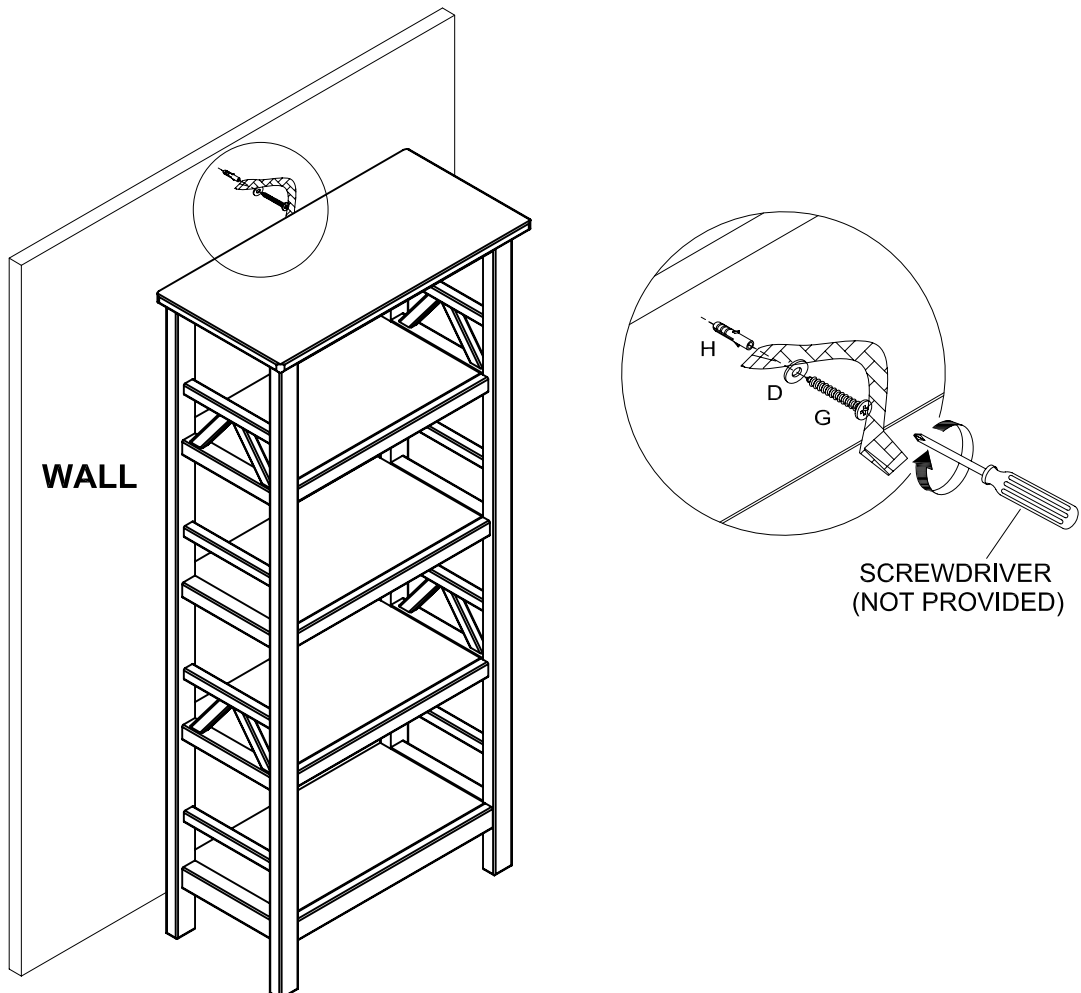
knocking the wooden dowels tight by hammer

SCREWDRIVER  
(NOT PROVIDED)

STEP 5.



STEP 6.



## STEP 7.

**WARNING**

**Serious or fatal crushing injuries can occur from furniture tip-over. To help prevent tip-over:**

- Place heaviest items in the lowest drawers.
- Unless specifically designed to accommodate, do not set TVs or other heavy objects on the top of this product.
- Never allow children to climb or hang on drawers, doors, or shelves.
- Do not defeat or remove the drawer interlock system.

**Use of tip-over restraints may only reduce, but not eliminate, the risk of tip-over.**

*This is a permanent label. Do not attempt to remove!*

