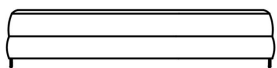
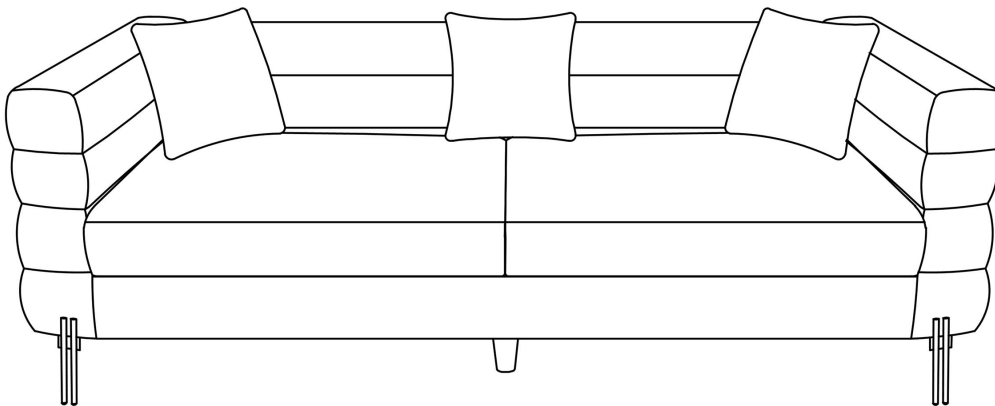
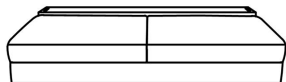


ASSEMBLY INSTRUCTION



A*1PC



B*1PC



C*1PC



D*1PC



E*3PCS



F*8PCS



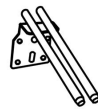
G*8PCS



H*8PCS



I*1PC



J*4PCS

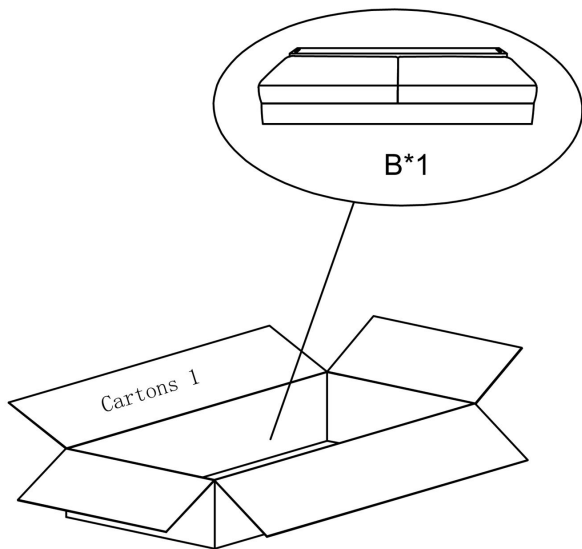


K*16PCS

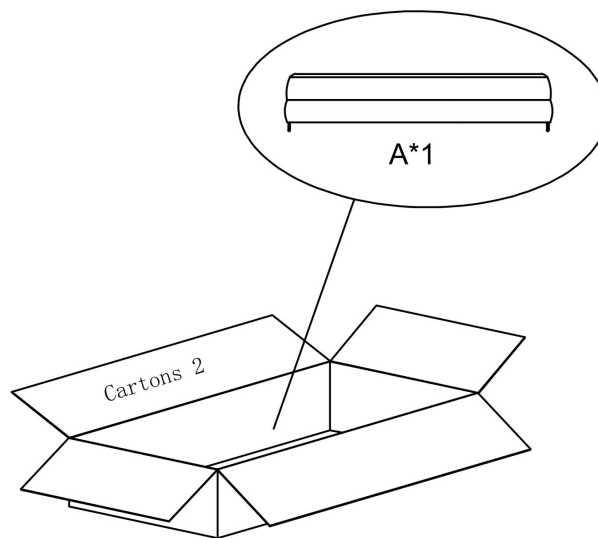


L*1PC

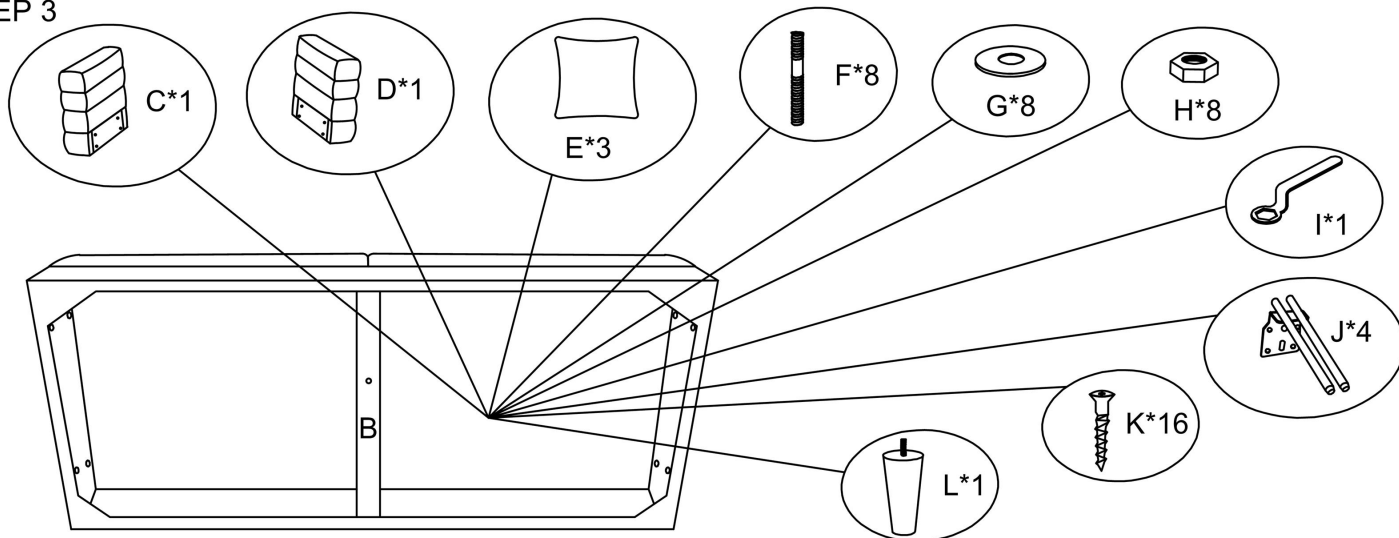
STEP 1



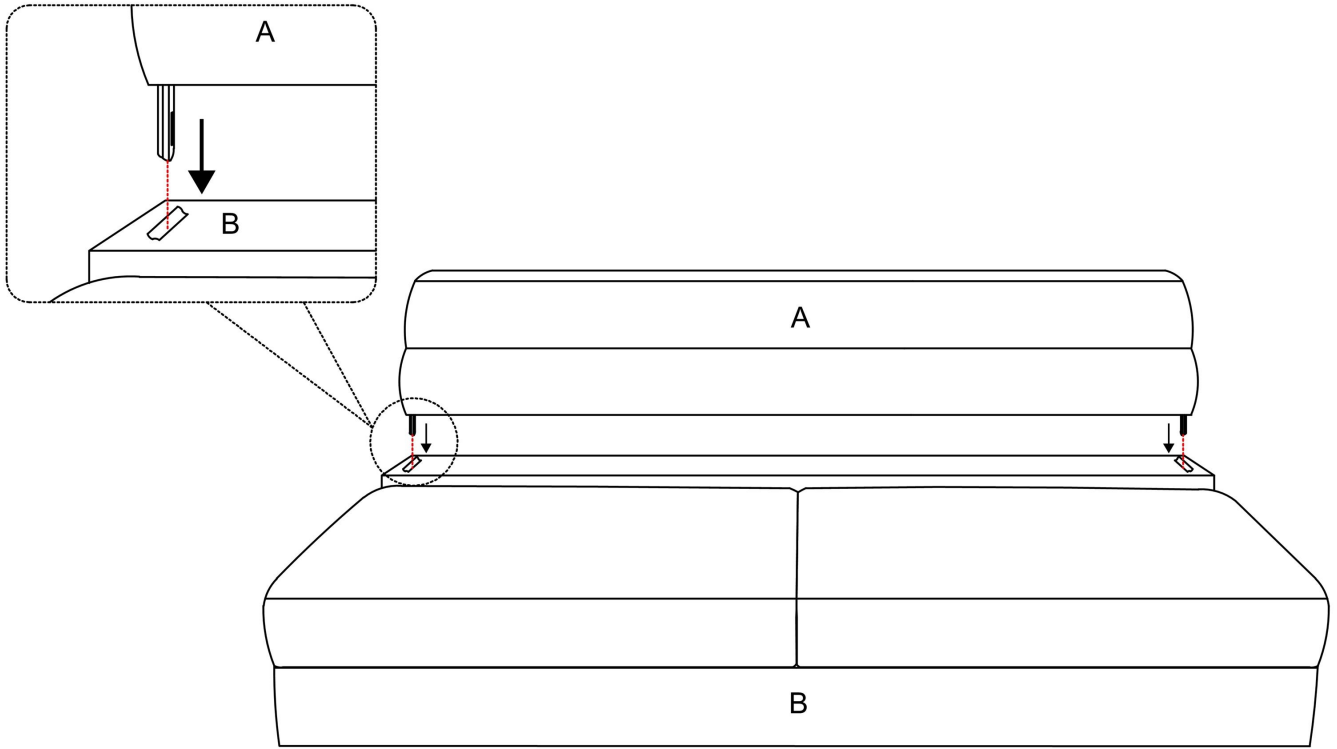
STEP 2



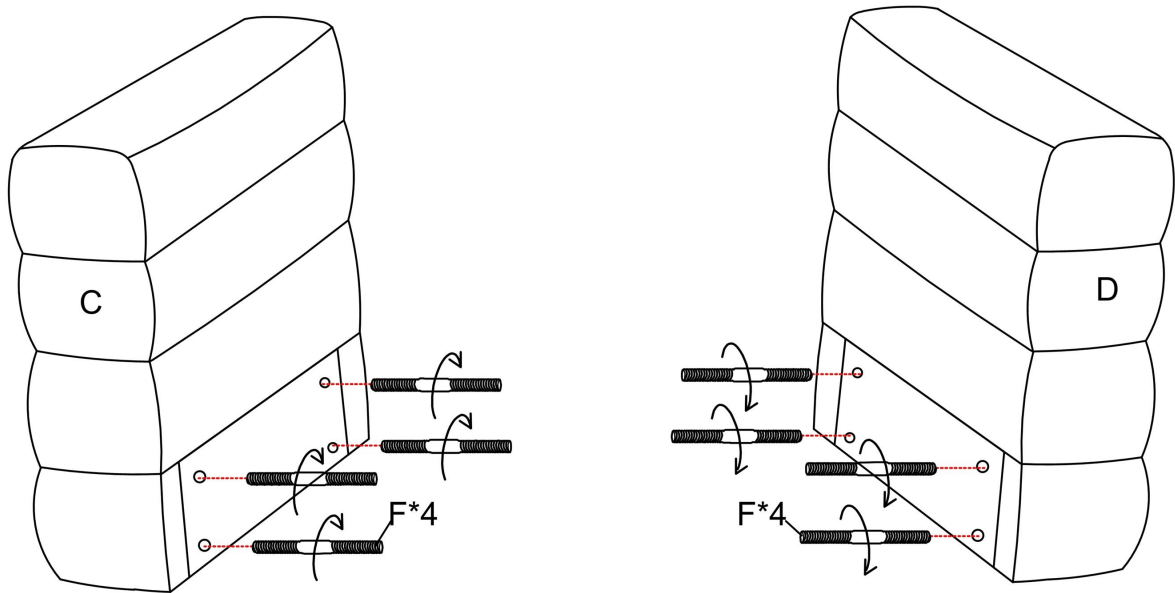
STEP 3



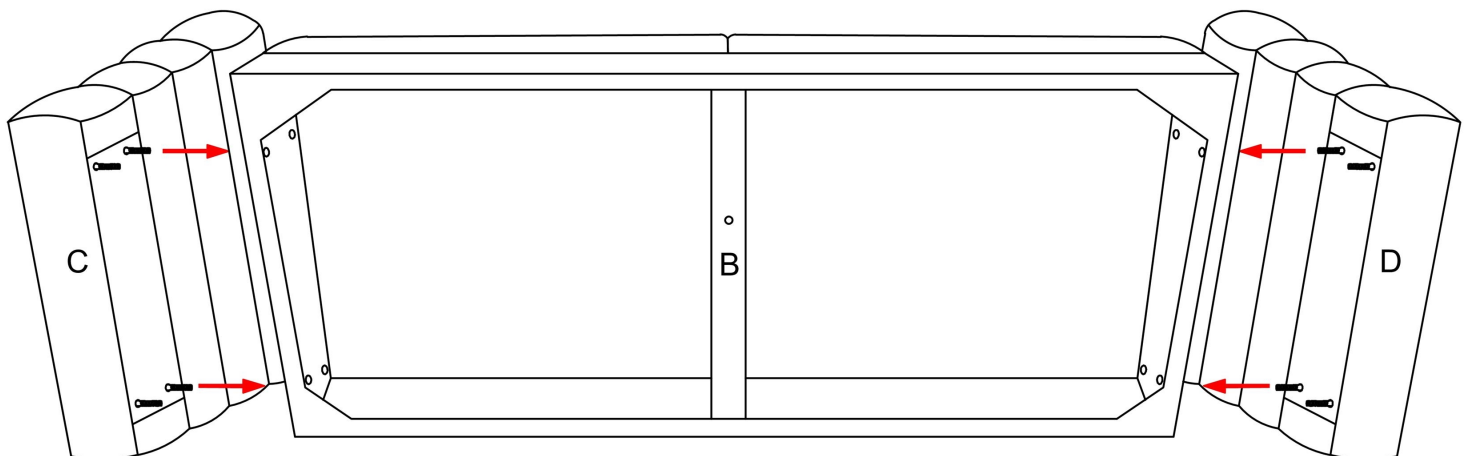
STEP 4



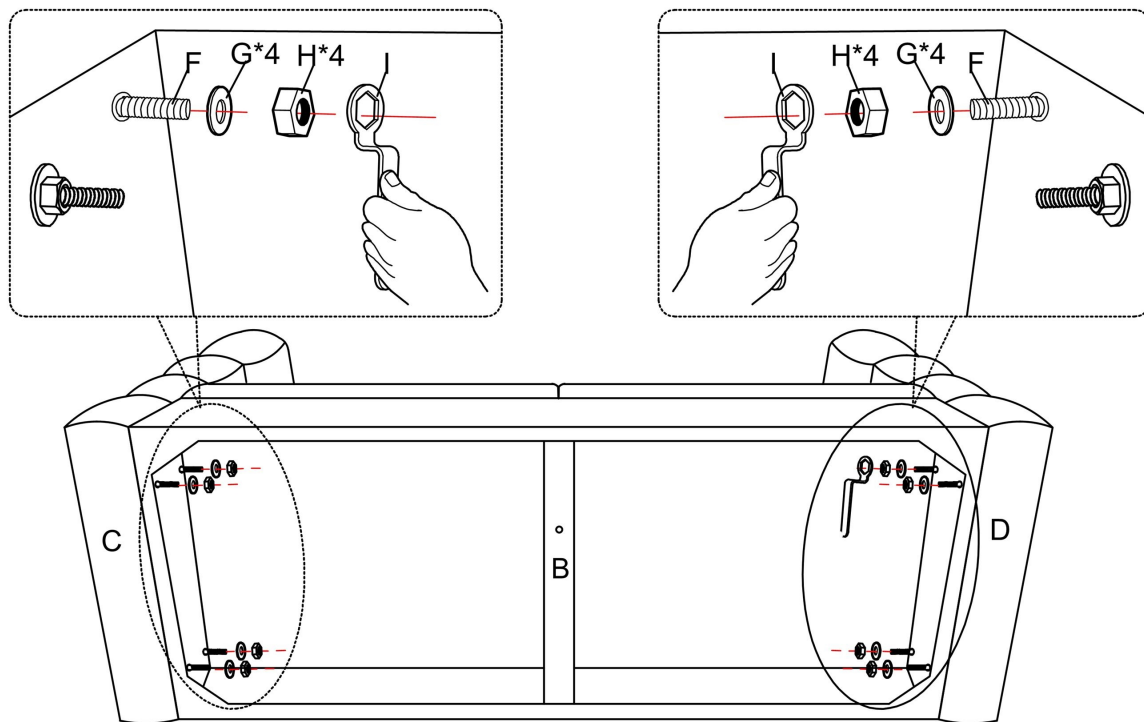
STEP 5



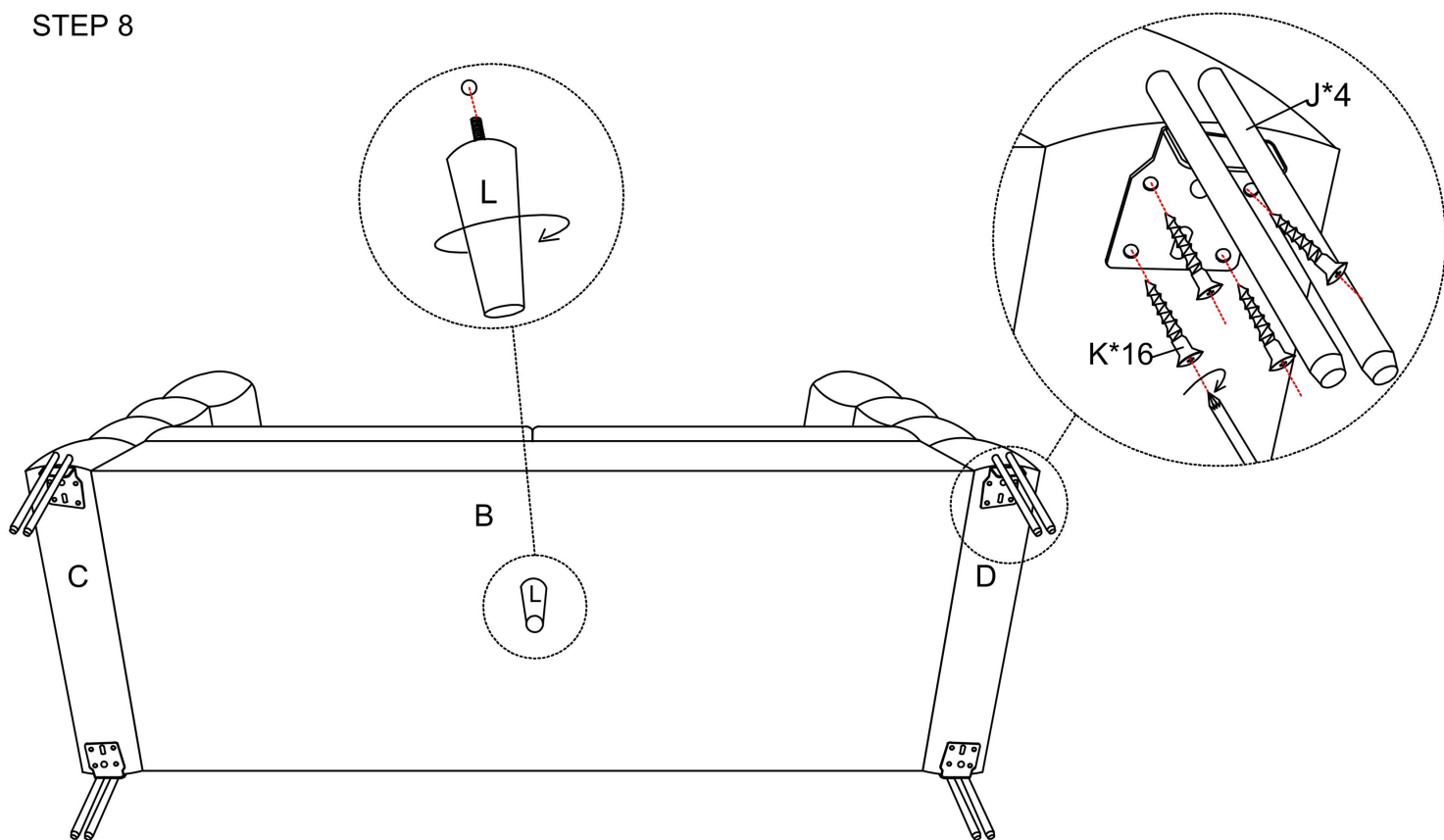
STEP 6



STEP 7



STEP 8



STEP 9

