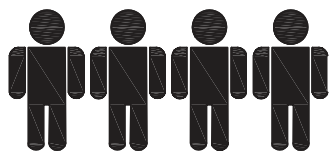
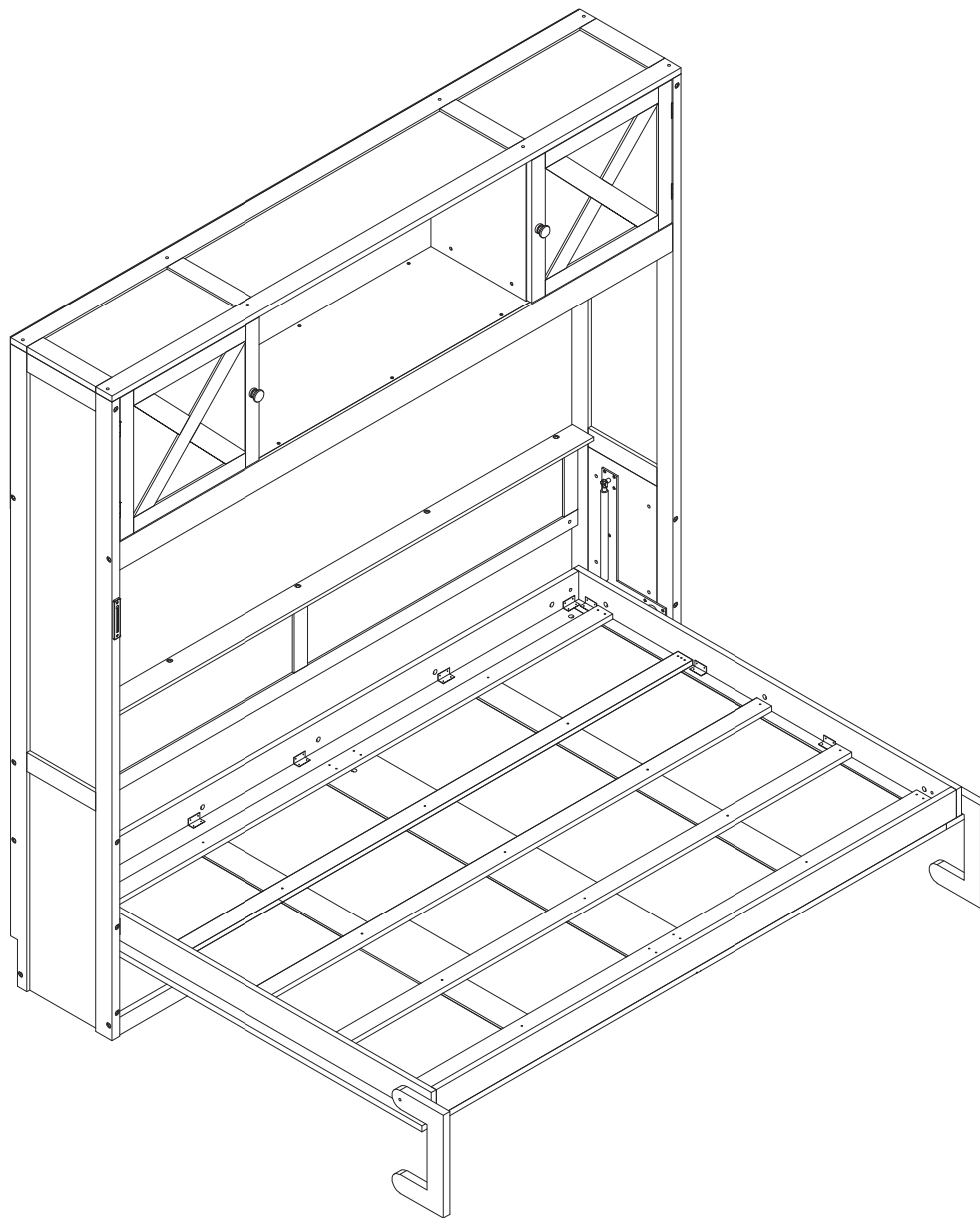


# ASSEMBLY INSTRUCTION

## INSTRUCTIONS DE MONTAGE

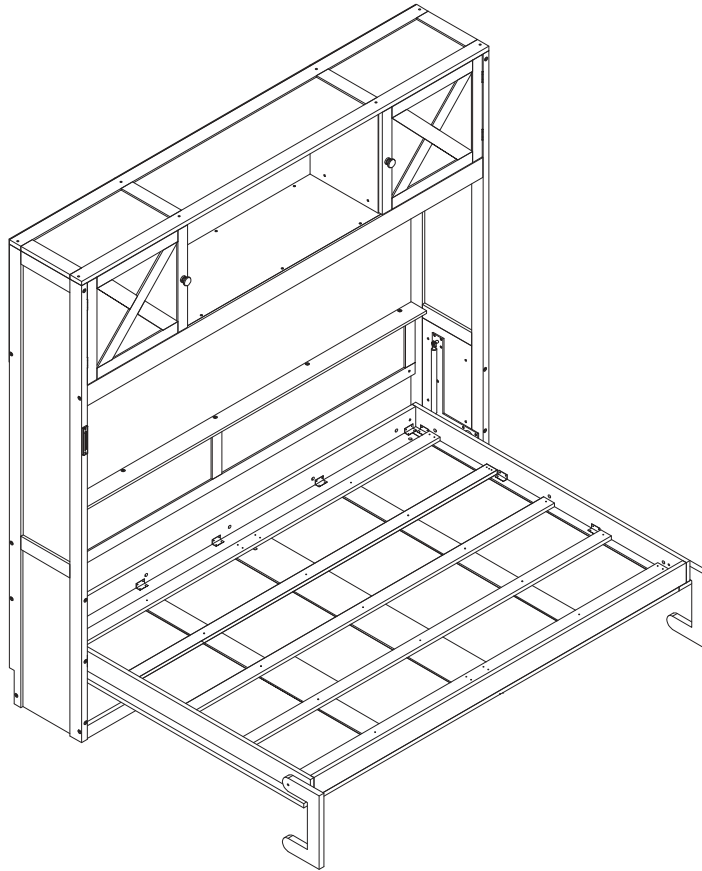


Four people are required to assemble and move this model.  
Quatre personnes sont nécessaires pour assembler et déplacer ce modèle.

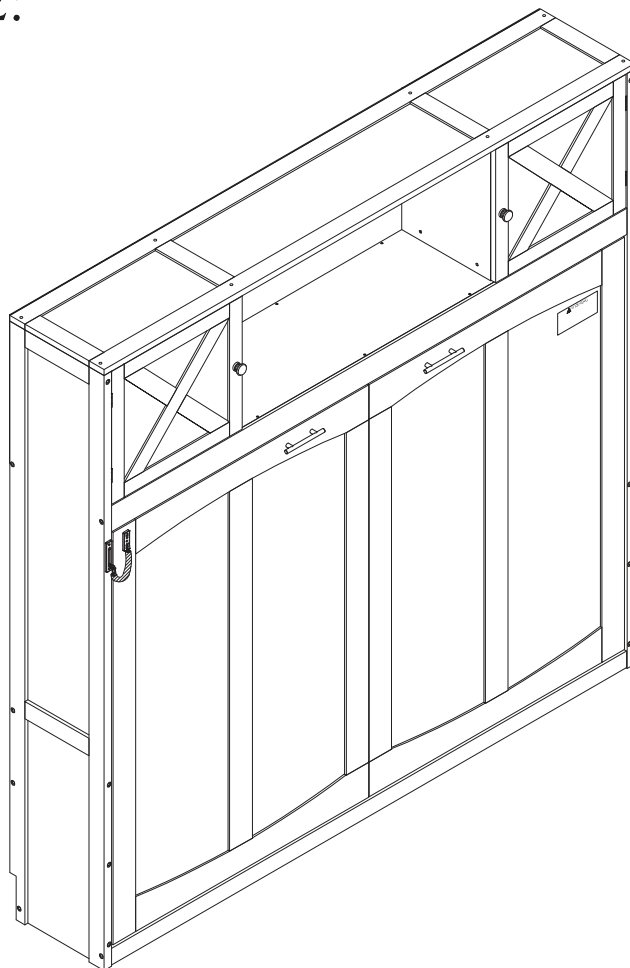
Note: This bed must be equipped with a mattress e quivalent to 44 lb

Remarque : Ce lit doit être équipé d'un matelas équivalent à 44 livres

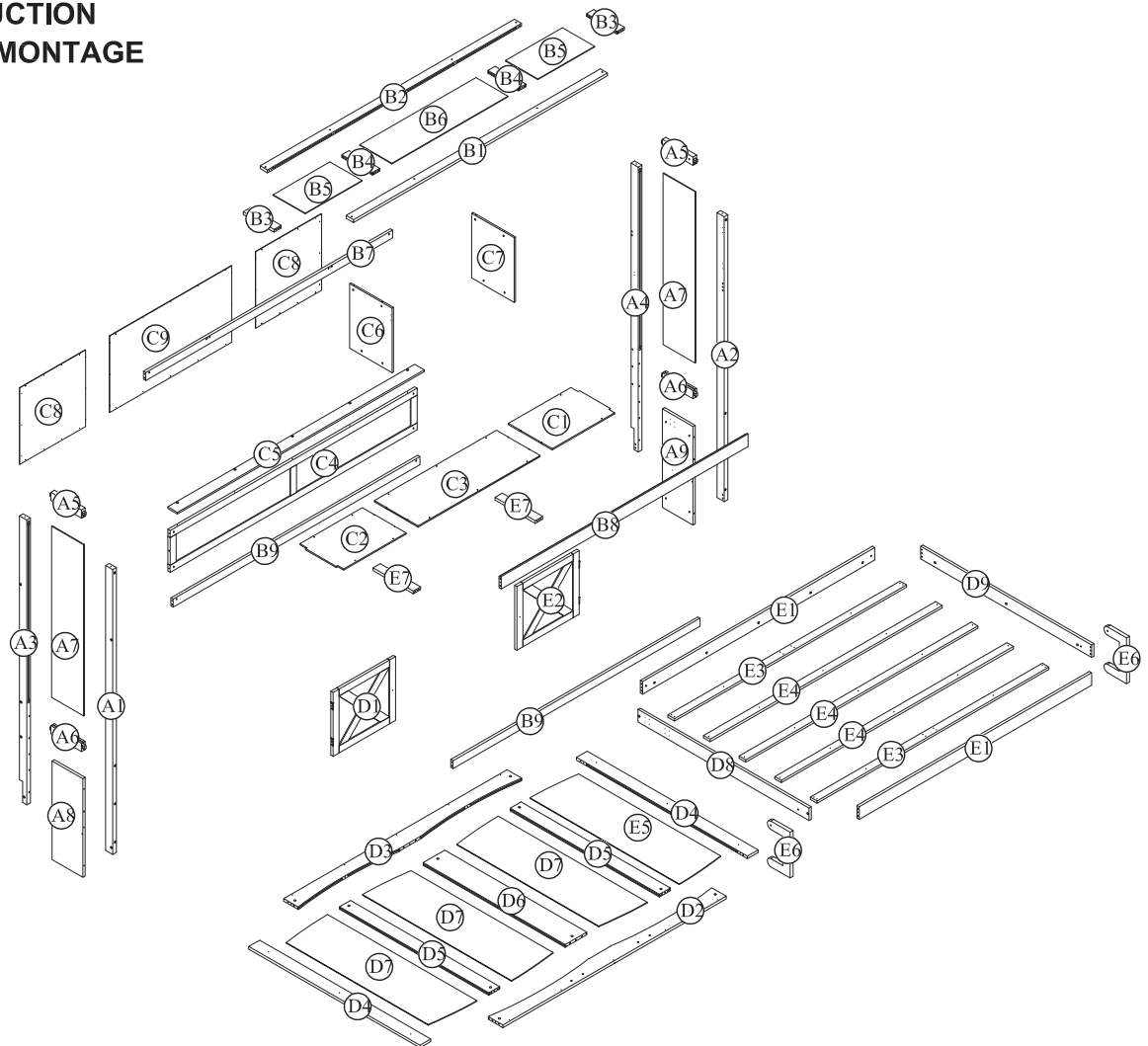
OPTION 1:



OPTION 2:



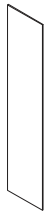
**ASSEMBLY INSTRUCTION**  
**INSTRUCTIONS DEMONTAGE**



# Part List

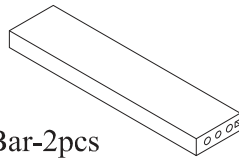
## Liste des pièces

A7



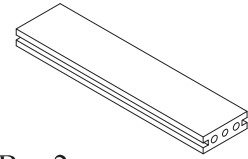
Panel-2pcs  
Planche

B3



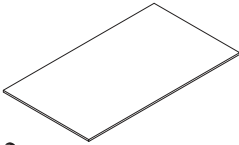
WoodBar-2pcs  
Barres de bois

B4



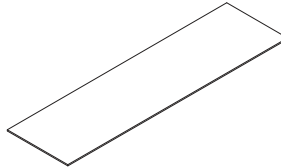
WoodBar-2pcs  
Barres de bois

B5



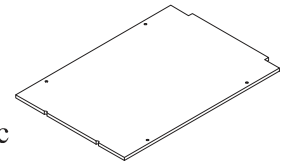
Panel-2pcs  
Planche

B6



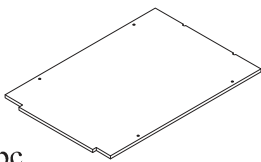
Panel-1pc  
Planche

C1



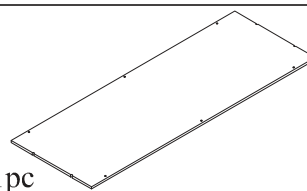
Panel-1pc  
Planche

C2



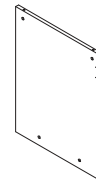
Panel-1pc  
Planche

C3



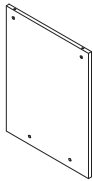
Panel-1pc  
Planche

C6



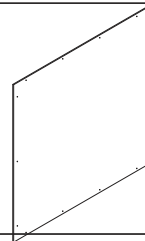
Panel-1pc  
Planche

C7



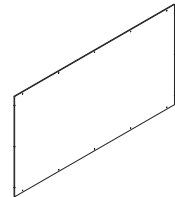
Panel-1pc  
Planche

C8



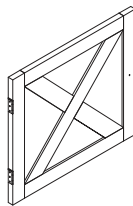
Panel-2pcs  
Planche

C9



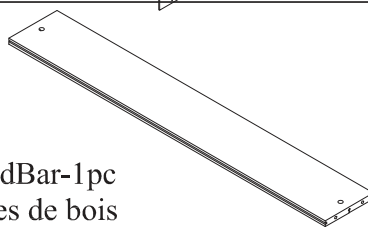
Panel-1pc  
Planche

D1



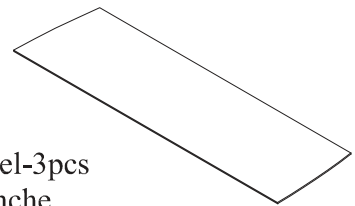
Door-1pc  
Porte

D6



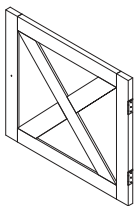
WoodBar-1pc  
Barres de bois

D7



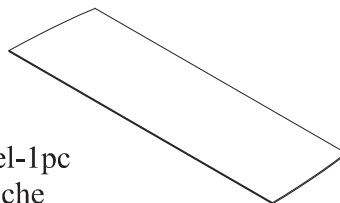
Panel-3pcs  
Planche

E2



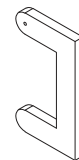
Door-1pc  
Porte

E5



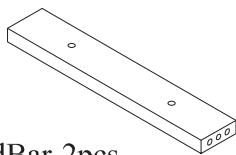
Panel-1pc  
Planche

E6



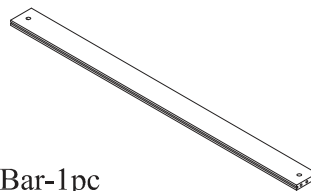
Leg-2pcs  
Jambe

E7



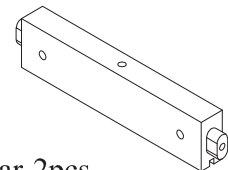
WoodBar-2pcs  
Barres de bois

D5



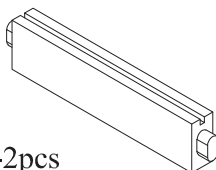
WoodBar-1pc  
Barres de bois

A5



WoodBar-2pcs  
Barres de bois

A6

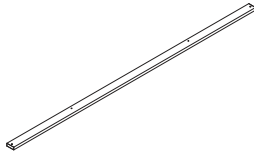


WoodBar-2pcs  
Barres de bois

# Part List & Hardware List

## Liste des pièces et liste du matériel

B1



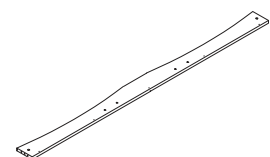
WoodBar-1pc  
Barres de bois

B2



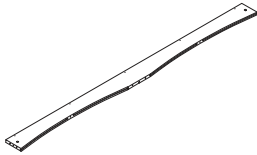
WoodBar-1pc  
Barres de bois

D2



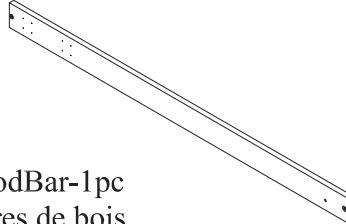
WoodBar-1pc  
Barres de bois

D3



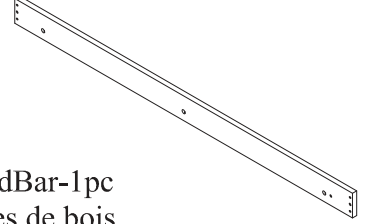
WoodBar-1pc  
Barres de bois

D8



WoodBar-1pc  
Barres de bois

D9



WoodBar-1pc  
Barres de bois

A1



Leg-1pc  
Jambe

A2



Leg-1pc  
Jambe

A3



Leg-1pc  
Jambe

A4

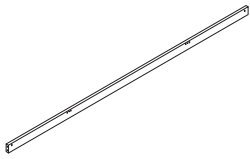


Leg-1pc  
Jambe

# Part List

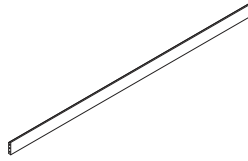
## Liste des pièces

B7



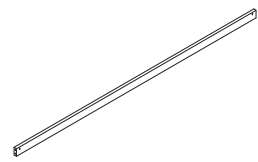
WoodBar-1pc  
Barres de bois

B8



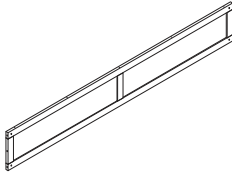
WoodBar-1pc  
Barres de bois

B9



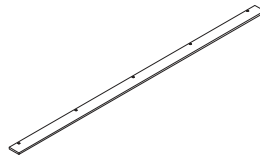
WoodBar-2pcs  
Barres de bois

C4



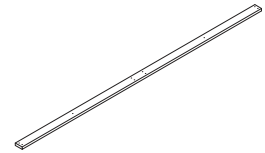
WoodBar-1pc  
Barres de bois

C5



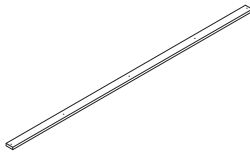
Panel-1pc  
Planche

E3



Slats-2pcs  
Lattes

E4



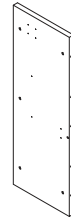
Slats-3pcs  
Lattes

A8



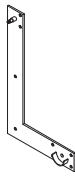
Panel-1pc  
Planche

A9



Panel-1pc  
Planche

E8



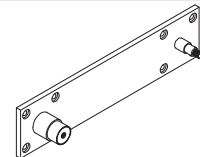
Metal corner link -1pc  
Lien d'angle métallique

E9



Metal corner link -1pc  
Lien d'angle métallique

F1



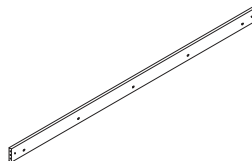
Metal corner link - 2pcs  
Lien d'angle métallique

F2



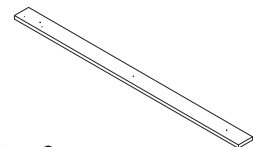
Piston Steam - 2pcs  
Vapeur de piston

E1



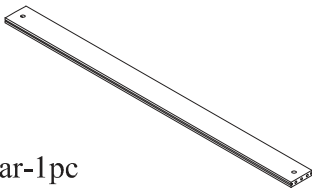
WoodBar-2pcs  
Barres de bois

D4



WoodBar-2pcs  
Barres de bois

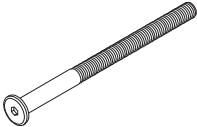
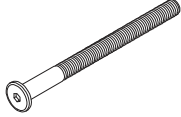
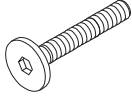





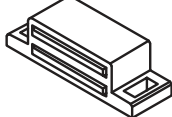
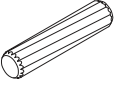
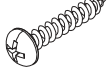


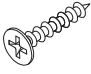
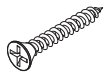


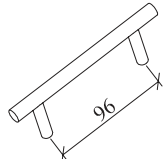
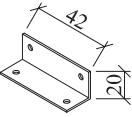
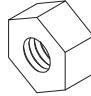

D5



WoodBar-1pc  
Barres de bois

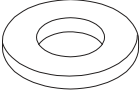
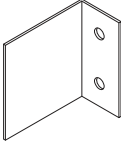

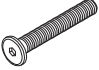

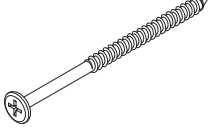
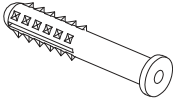
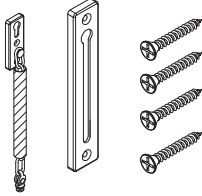
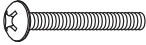
# Hardware List

## Liste du matériel

<p>1</p>  <p>Bolts Ø1/4" x 100 mm - 14pcs Boulon</p>	<p>2</p>  <p>Bolts Ø1/4" x 70 mm - 26pcs Boulon</p>	<p>3</p>  <p>Ø1/3" x 40 mm Hex-Head bolts - 2pcs</p>
<p>4</p>  <p>Screws 1/4" x 40mm- 4pcs Vis</p>	<p>5</p>  <p>Screws 1/4" x 30mm- 5pcs Vis</p>	<p>6</p>  <p>Ø1/4" x 13 mm Horizontal-Hole bolts - 40pcs Boulons à trou horizontal</p>
<p>7</p>  <p>Cam bolt- 38pcs Cam</p>	<p>8</p>  <p>Ø15 x 9.5 mm Cam lock - 38pcs</p>	<p>9</p>  <p>Door Catches 45x17x13 - 2pcs Loquets de porte</p>
<p>10</p>  <p>Wood dowel Ø8 x 30 mm - 74pcs Cheville en bois</p>	<p>11</p>  <p>Wood Screws M4 x15mm - 114pcs Les vis à bois</p>	<p>12</p>  <p>Allen Key - 2pcs Clé Allen</p>
<p>13</p>  <p>Bolts Ø1/6" x 25 mm - 4pcs Boulon</p>	<p>14</p>  <p>Wood Screws M3 x15mm - 12pcs Les vis à bois</p>	<p>15</p>  <p>Wood Screws M4 x 20mm - 57pcs Les vis à bois</p>
<p>16</p>  <p>Wood Screws M4 x 30mm - 35pcs Les vis à bois</p>	<p>17</p>  <p>Handle - 2pcs Poignée</p>	<p>18</p>  <p>Handle - 2pcs Poignée</p>
<p>19</p>  <p>Angle Metal - 18pcs Angle métallique</p>	<p>20</p>  <p>Nut - 4pcs Écrou</p>	<p>21</p>  <p>Bearings - 2pcs Roulements</p>

# Hardware List

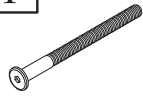
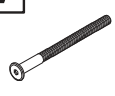
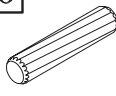

## Liste du matériel

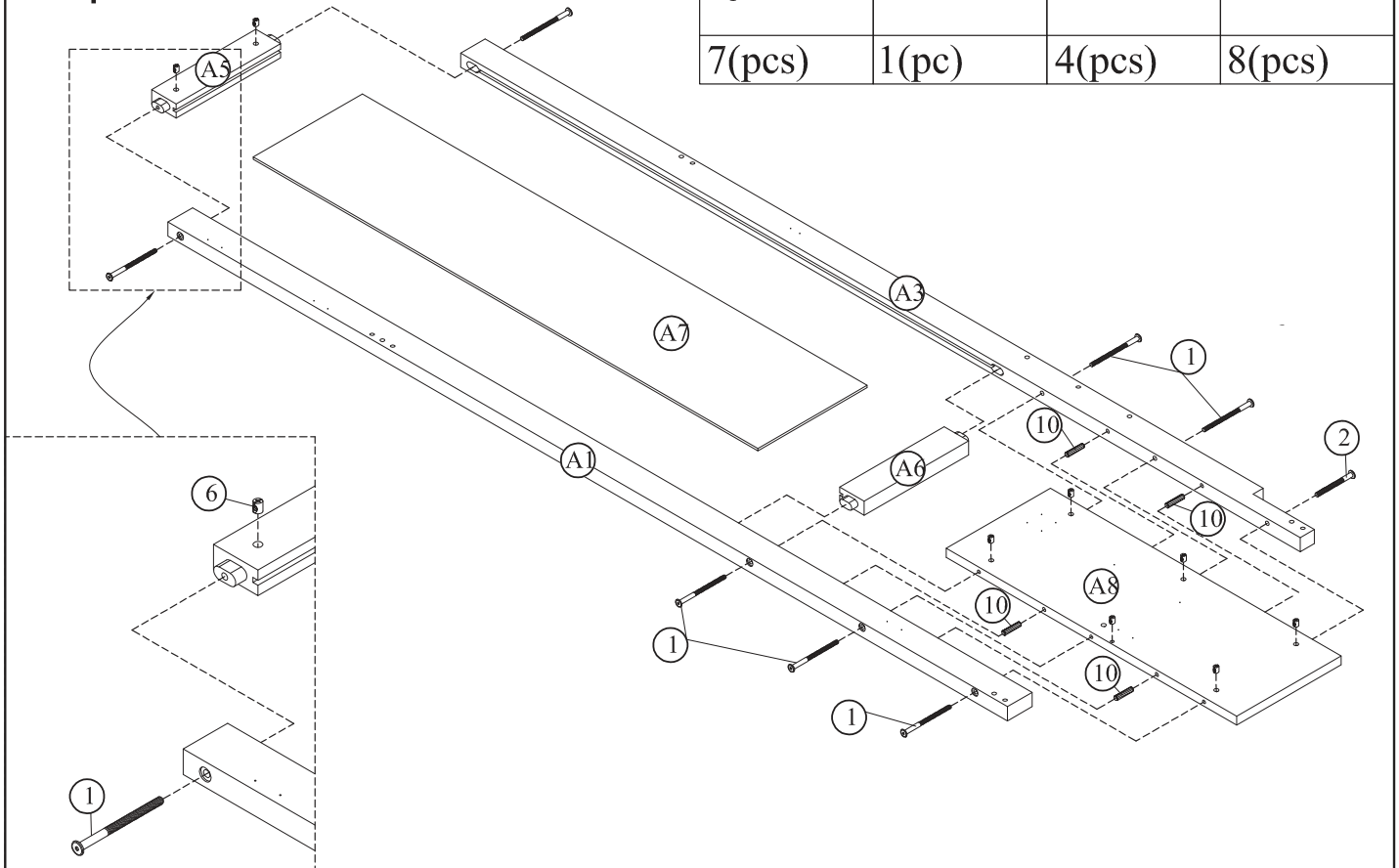
<p>22</p>  <p>Washer - 2pcs Rondelle</p>	<p>23</p>  <p>Angle Metal - 2pcs Angle métallique</p>	<p>24</p>  <p>Ø1/4" x 15 mm Canopy head though - 2pcs Tête à baldaquin</p>
<p>25</p>  <p>Bolts Ø1/4" x 40 mm - 2pcs Boulon</p>	<p>26</p>  <p>Angle Metal - 3pcs Angle métallique</p>	<p>27</p>  <p>Screws M5 x75mm - 6pcs Vis</p>
<p>28</p>  <p>M8 x 80 mm Plastic anchor - 6pcs Cheville en plastique</p>	<p>29</p>  <p>Lock - 1set Verrouillage</p>	<p>30</p>  <p>Bolts Ø1/6" x 30 mm - 2pcs Boulon</p>



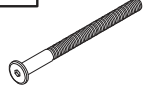
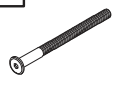
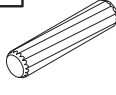

**Assembly Tools Required (Not Included)**  
**Outils d'assemblage requis (Non Inclus)**

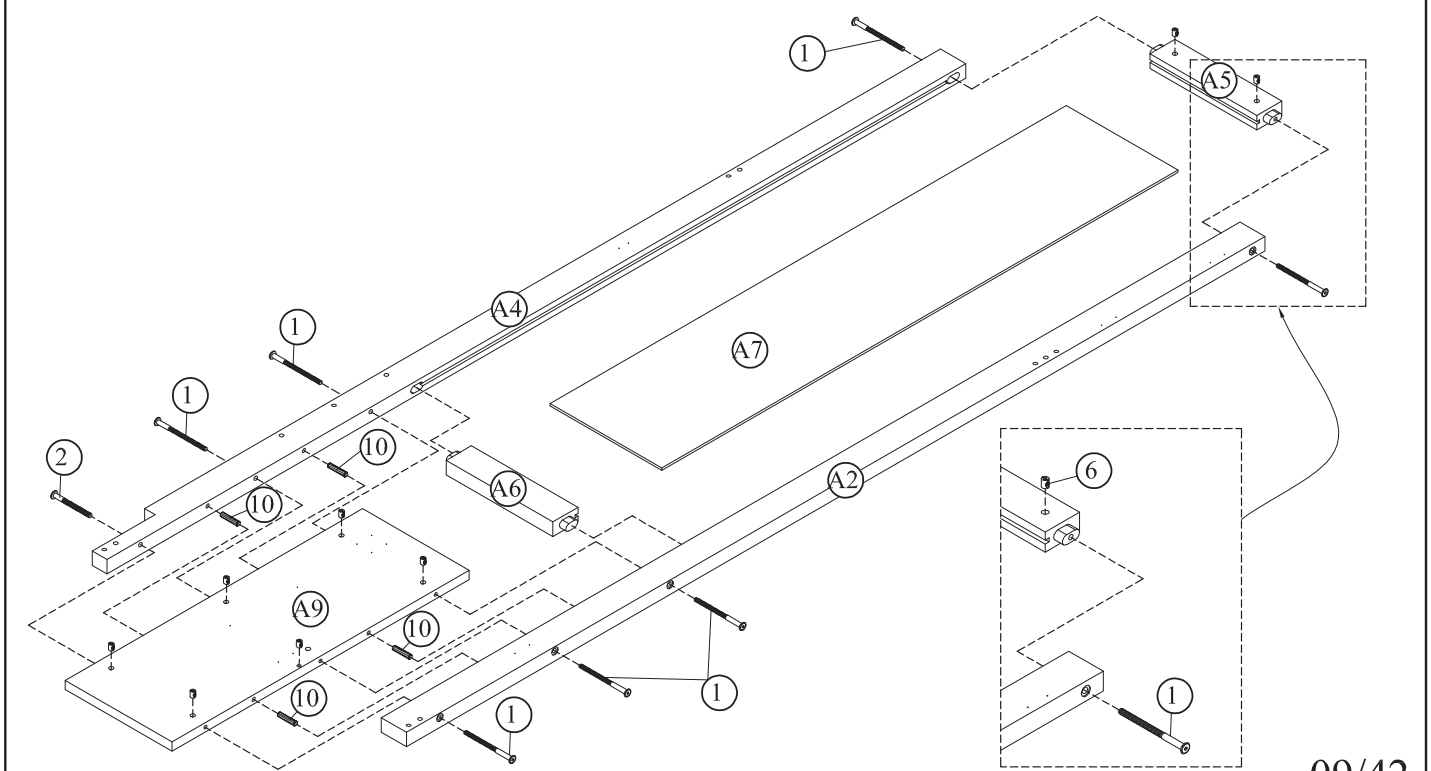
STEP 1:  
Étape 1:

1	2	10	6
			
7(pcs)	1(pc)	4(pcs)	8(pcs)



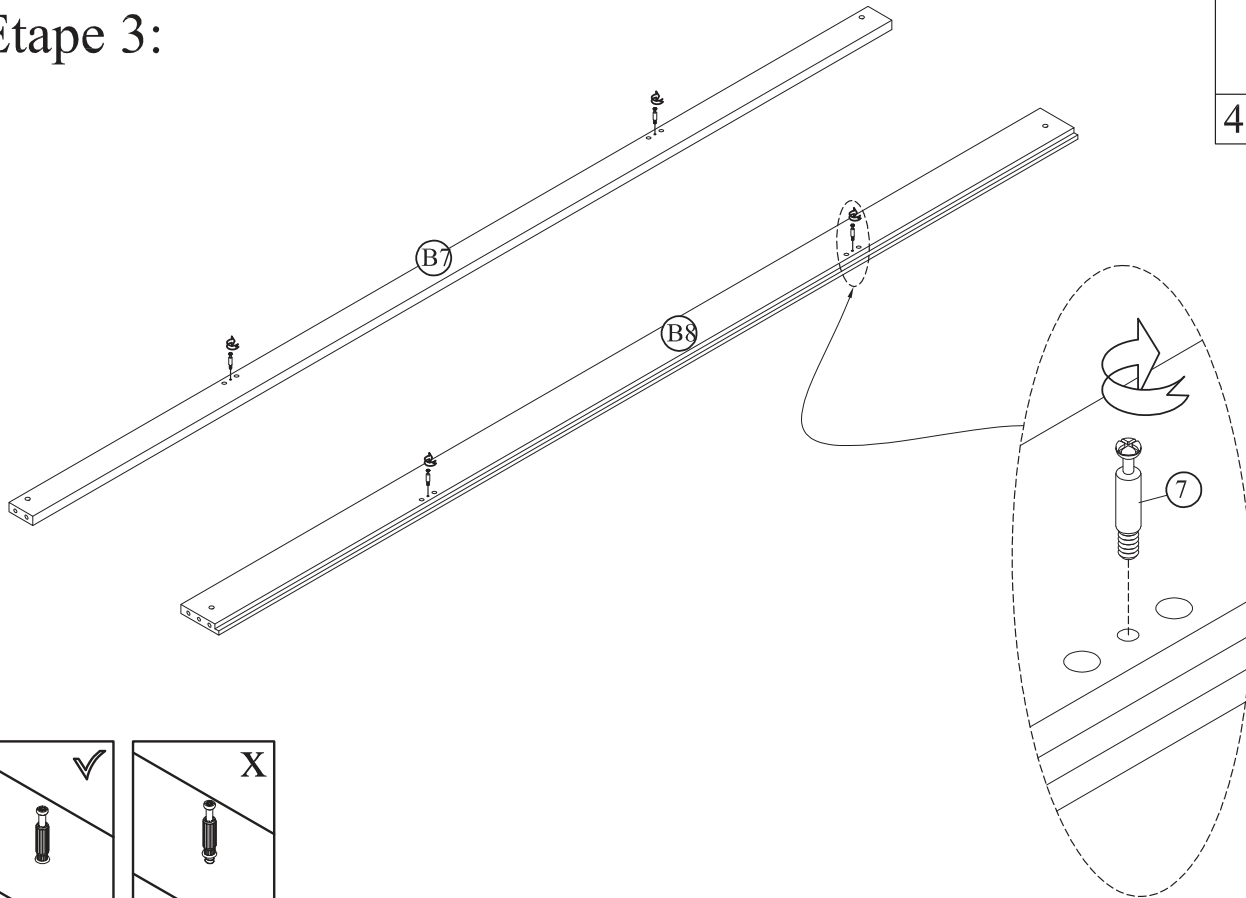
STEP 2:  
Étape 2:


1	2	10	6
			
7(pcs)	1(pc)	4(pcs)	8(pcs)

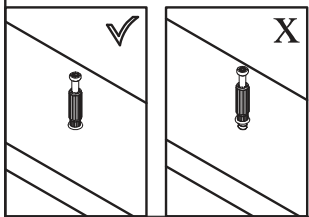


STEP 3:

Étape 3:

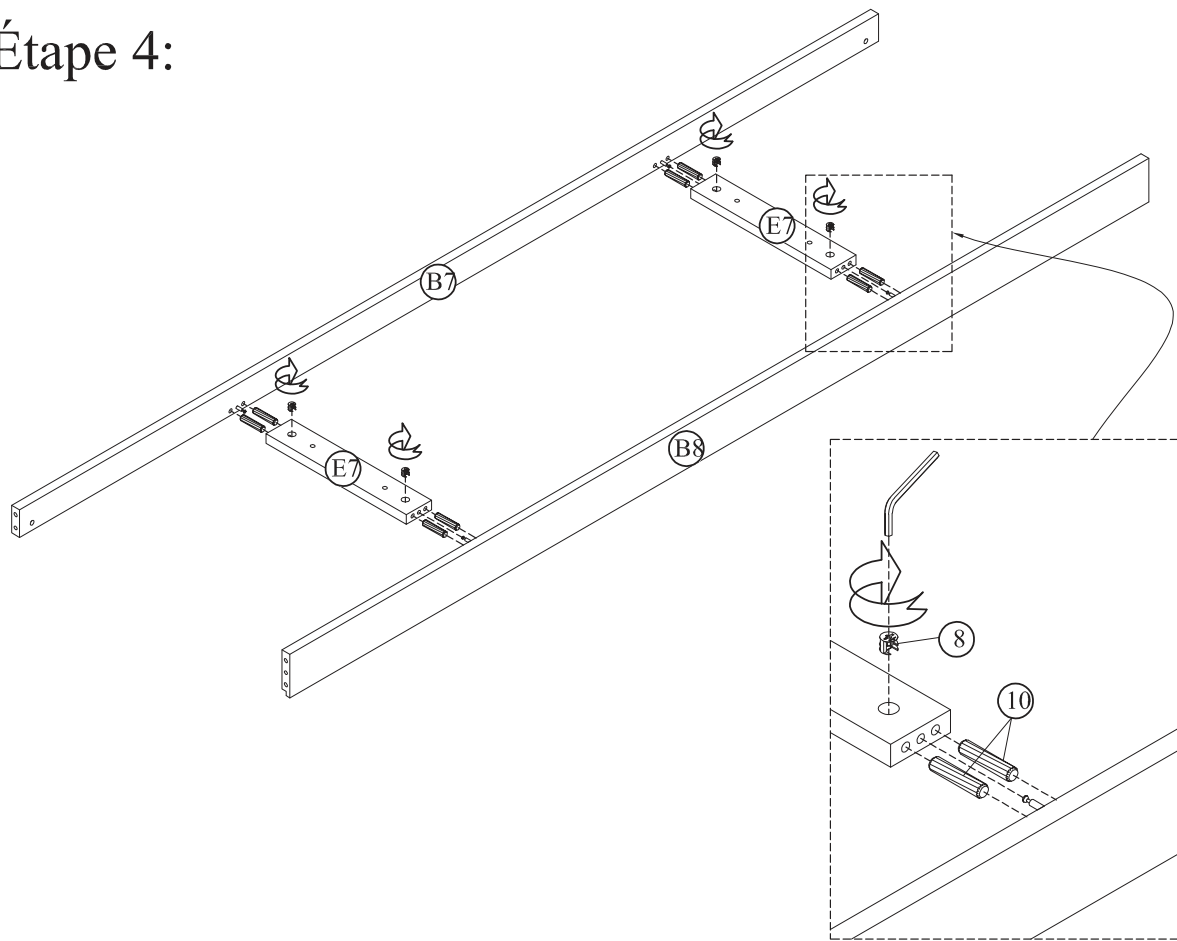



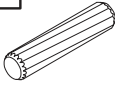
7	
4(pcs)	



STEP 4:


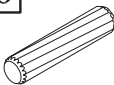

Étape 4:

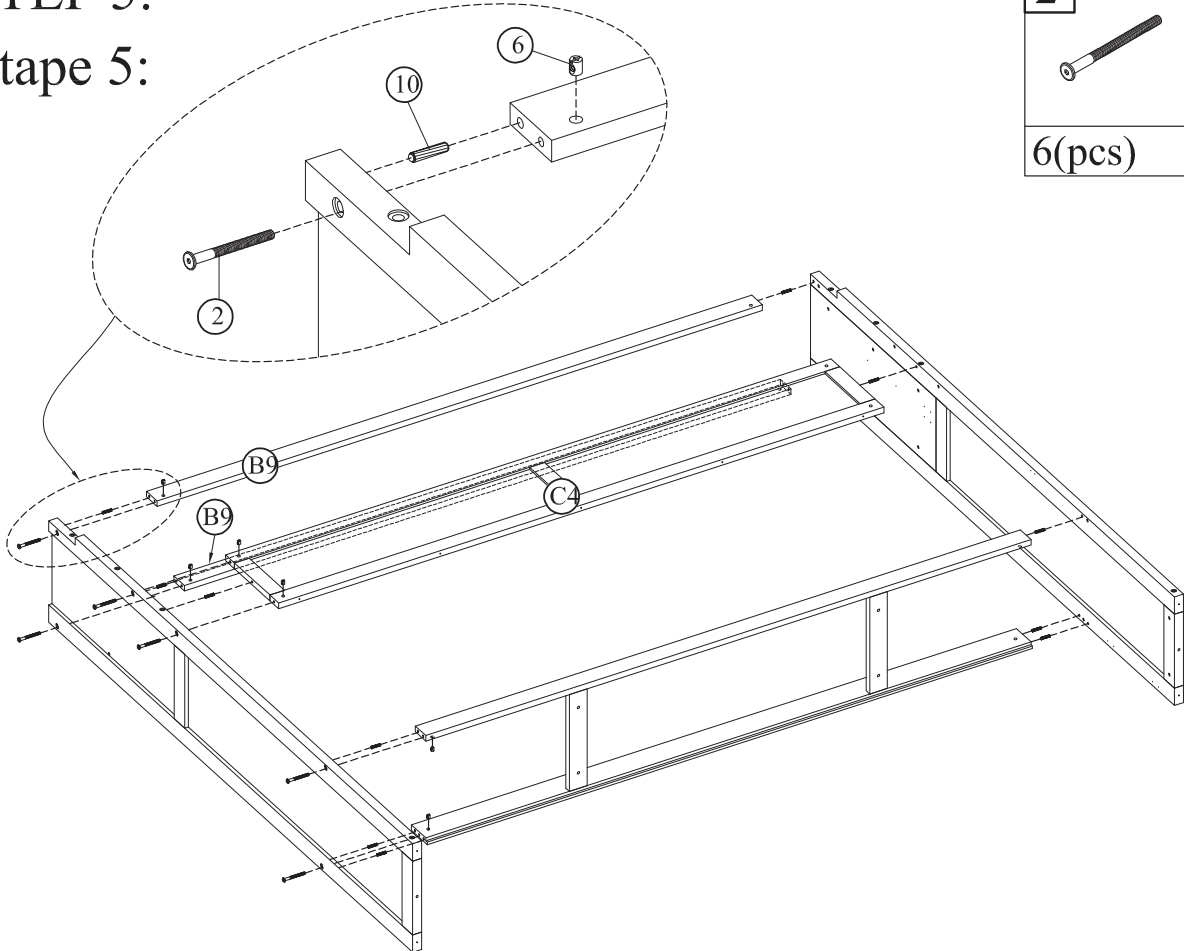


8	
4(pcs)	
10	
8(pcs)	

**STEP 5:**

**Étape 5:**



2		10	
6(pcs)		12(pcs)	
		6	
		6(pcs)	

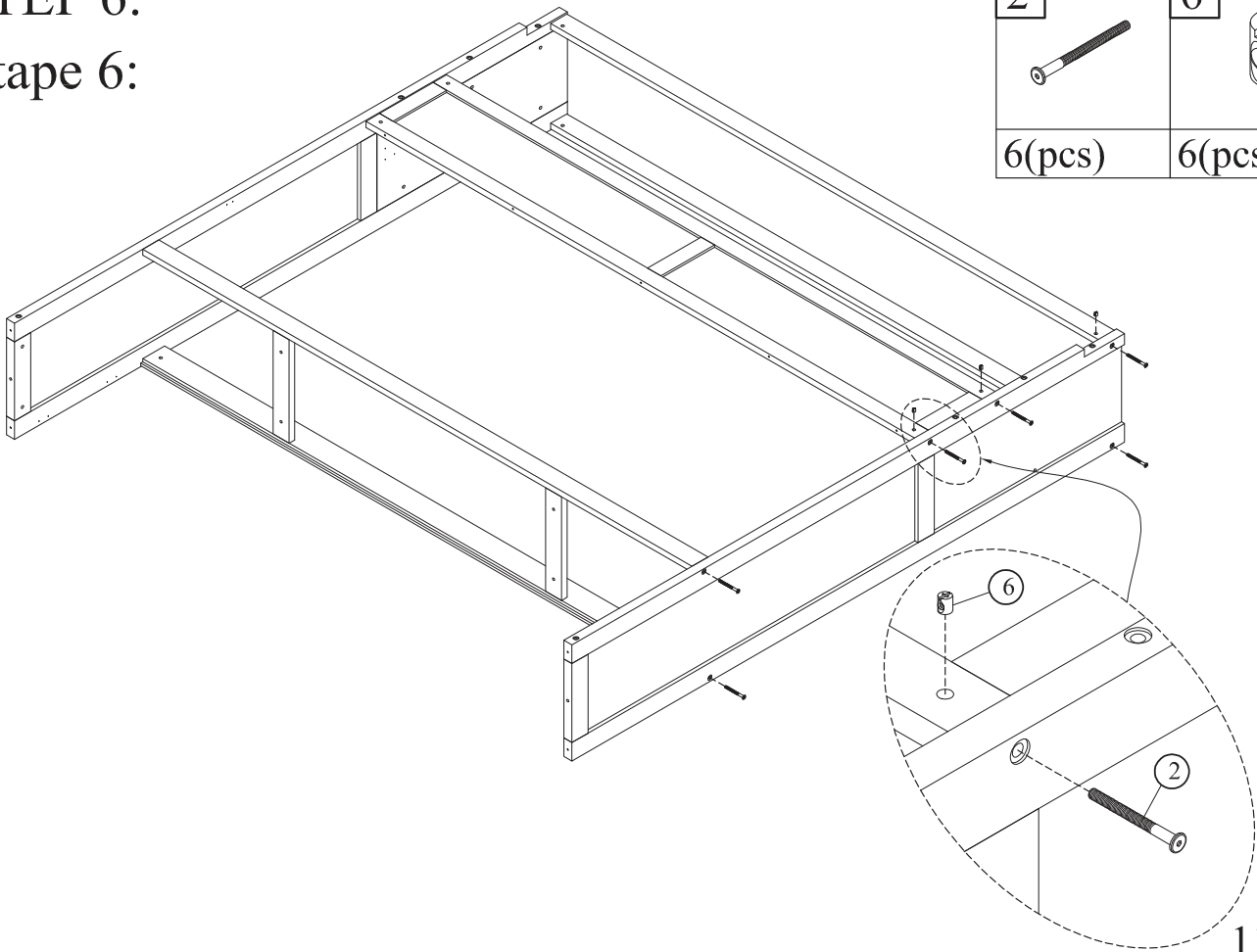


1

**STEP 6:**

**Étape 6:**

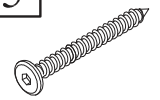
2		6	
6(pcs)		6(pcs)	



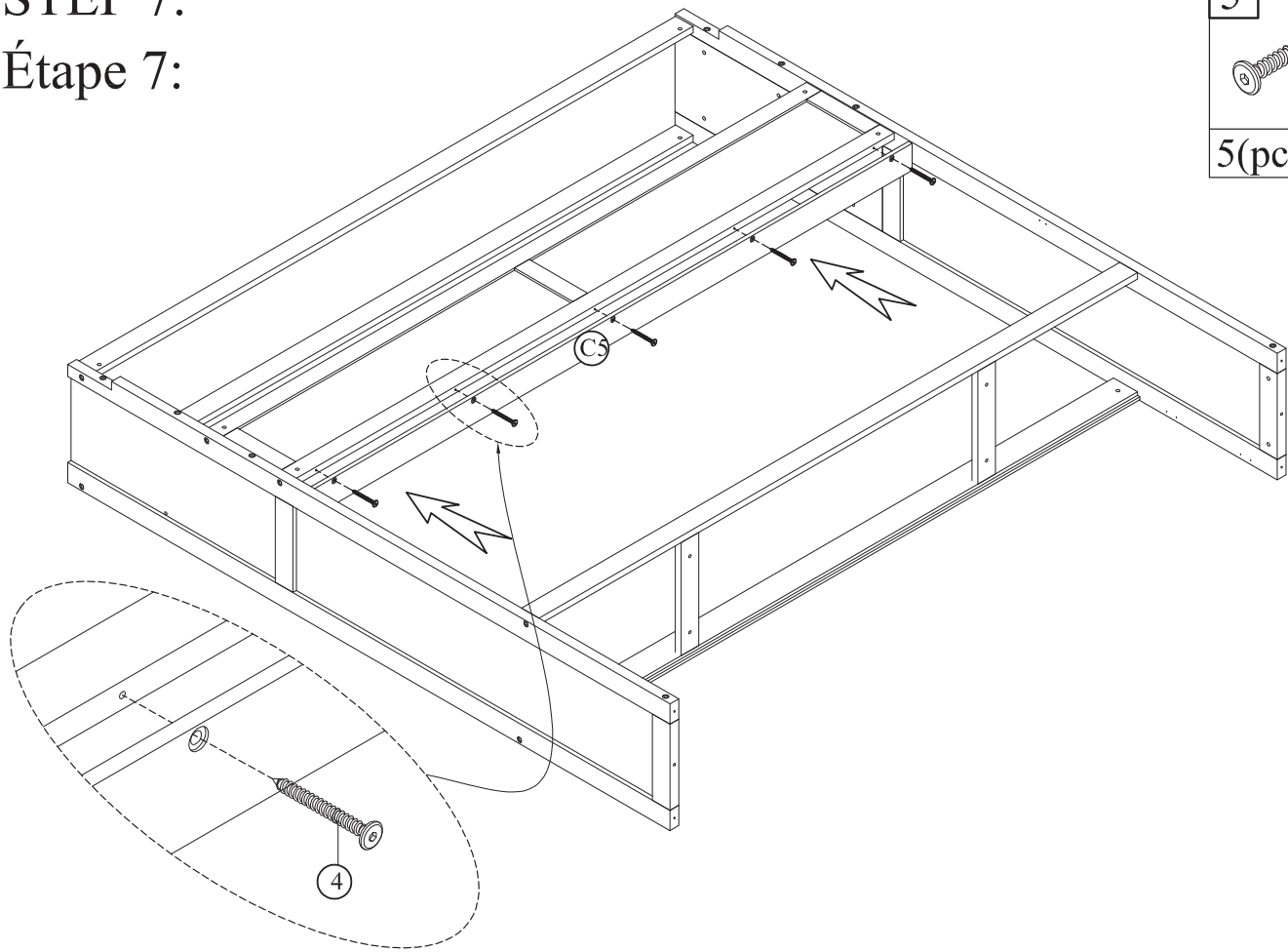
STEP 7:

Étape 7:

5



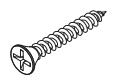
5(pcs)



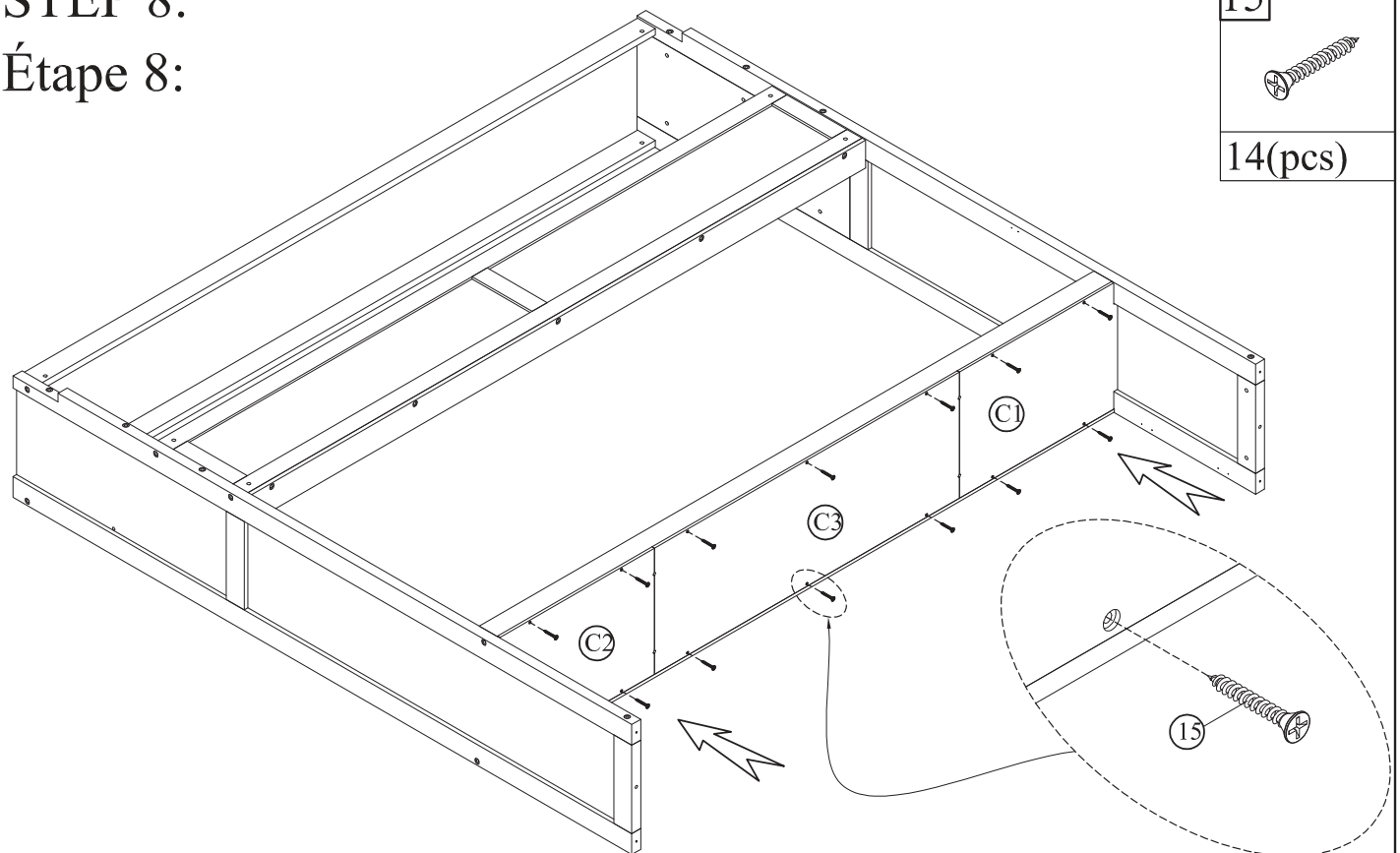
STEP 8:

Étape 8:

15

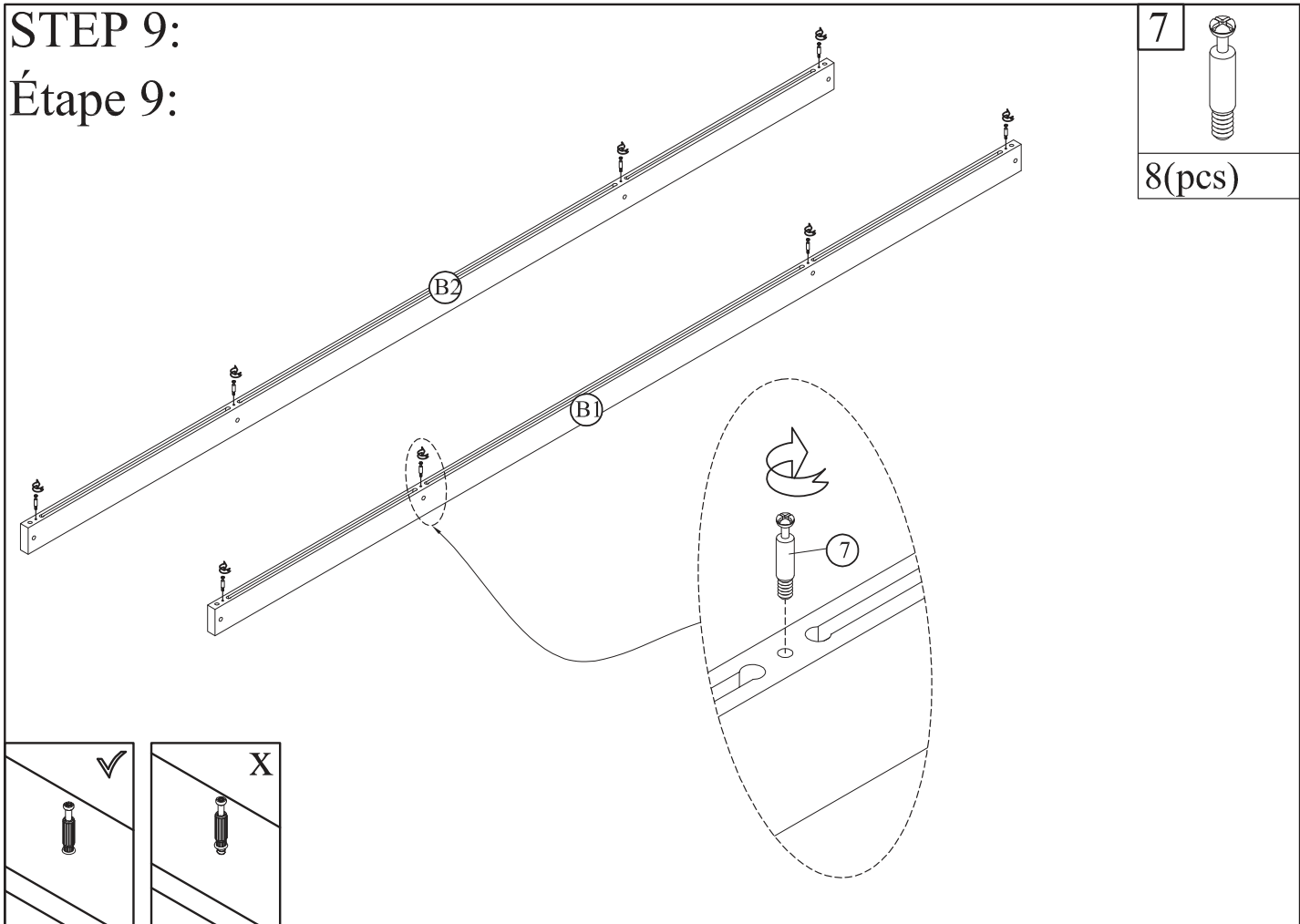



14(pcs)



STEP 9:

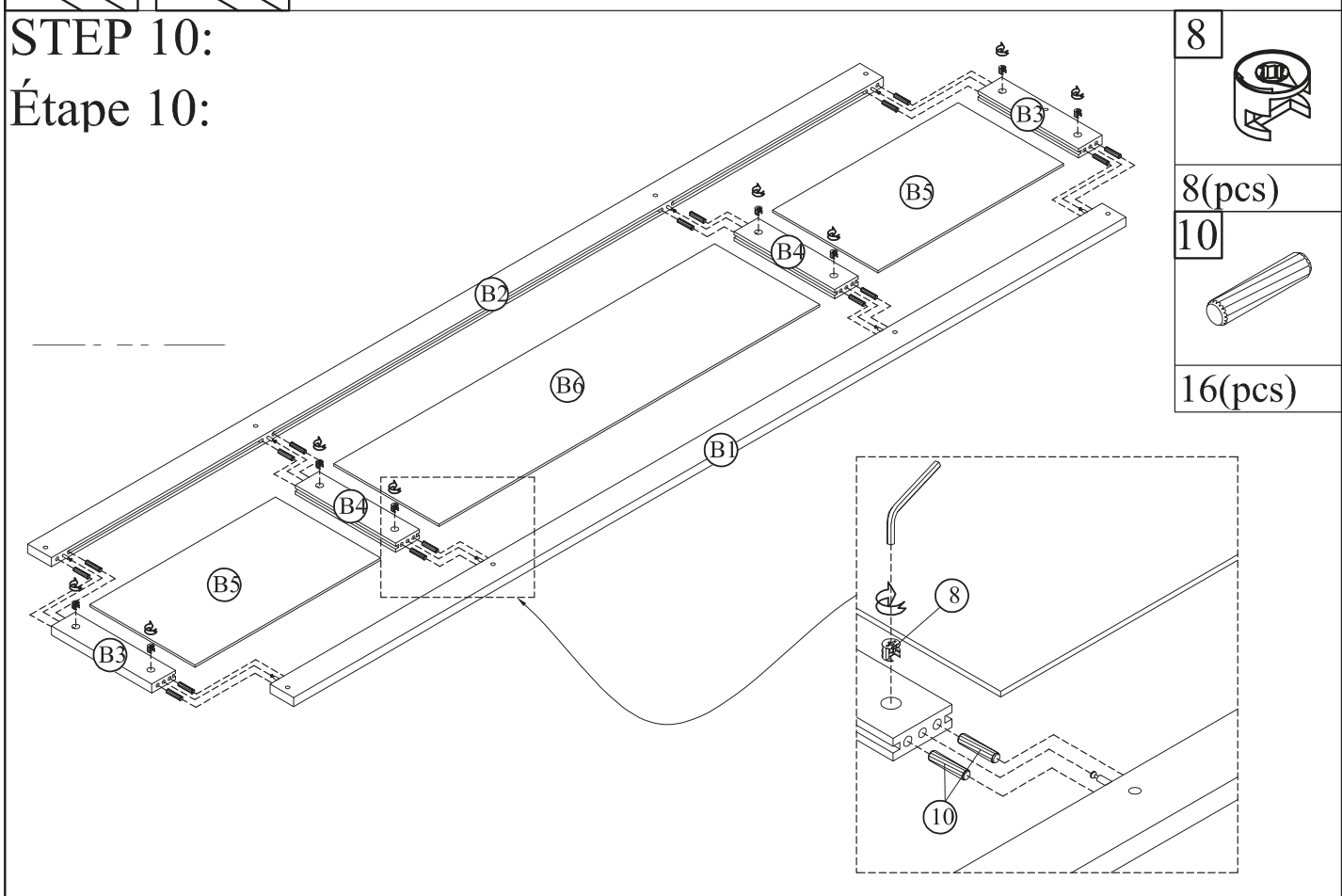
Étape 9:


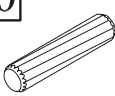


7	
8(pcs)	

STEP 10:

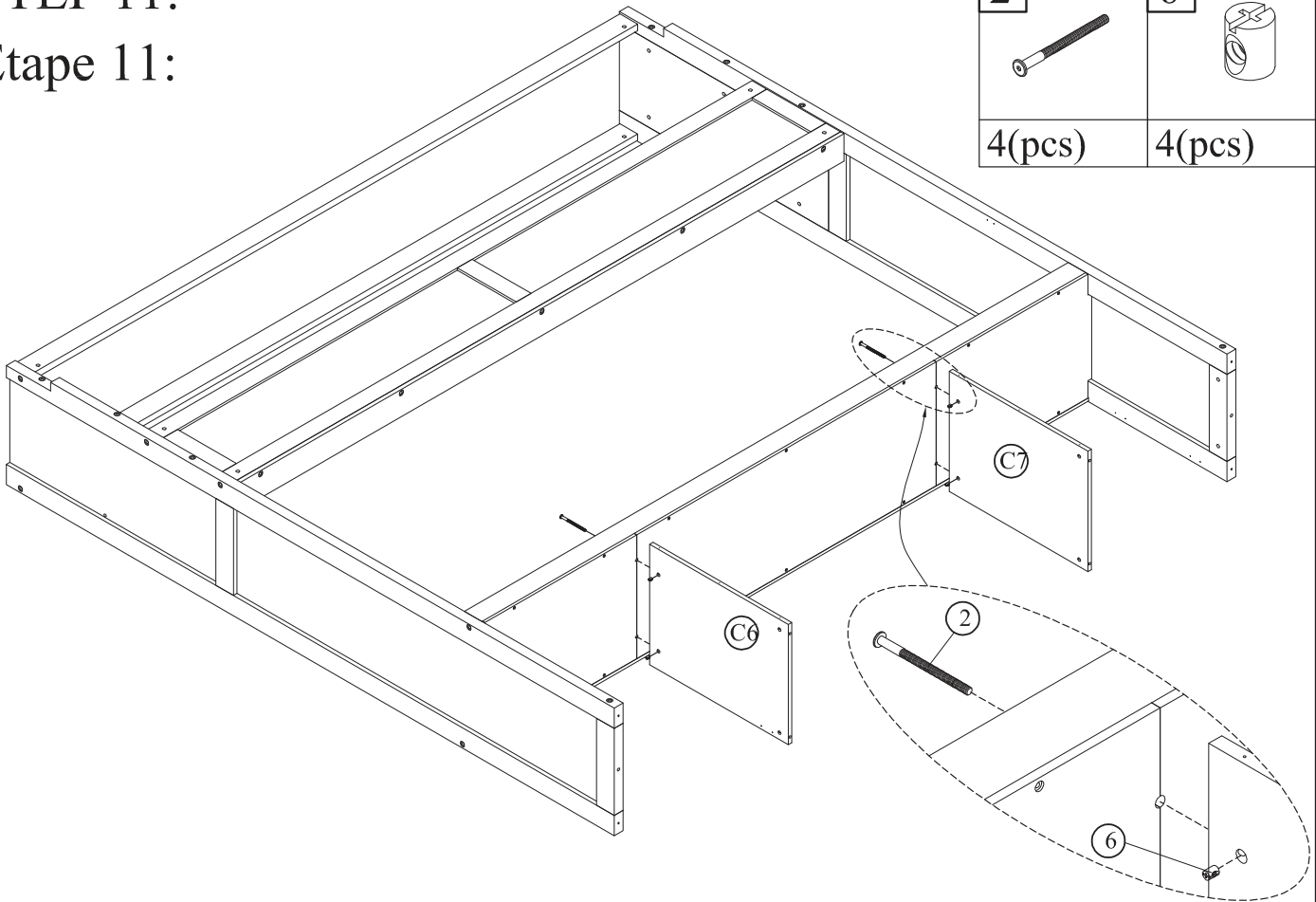
Étape 10:





8	
8(pcs)	
10	
16(pcs)	

**STEP 11:**

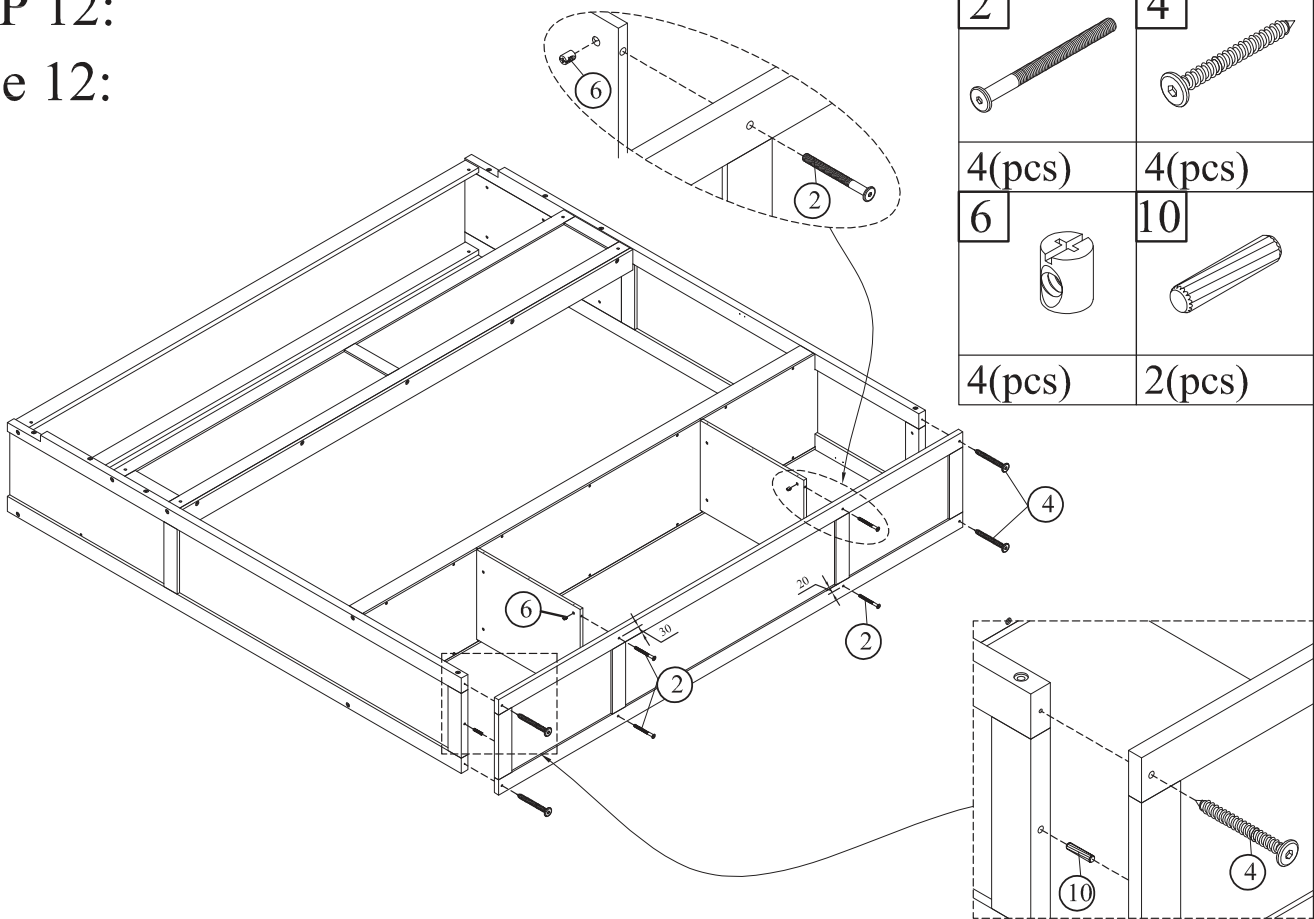
**Étape 11:**

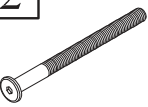
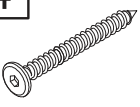
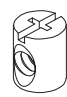
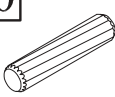


2	6
	
4(pcs)	4(pcs)

**STEP 12:**

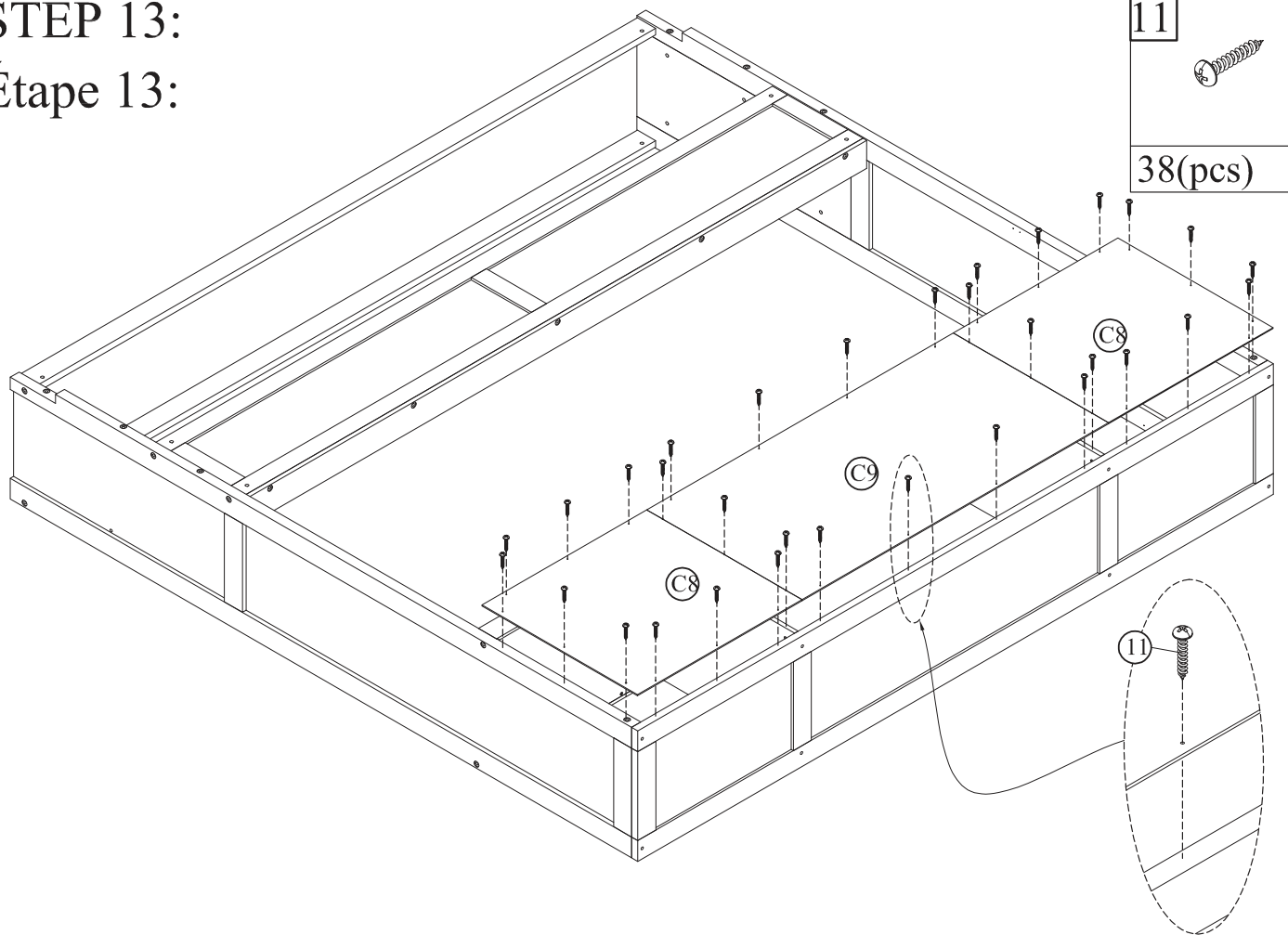
**Étape 12:**



2	4
	
4(pcs)	4(pcs)
6	10
	
4(pcs)	2(pcs)

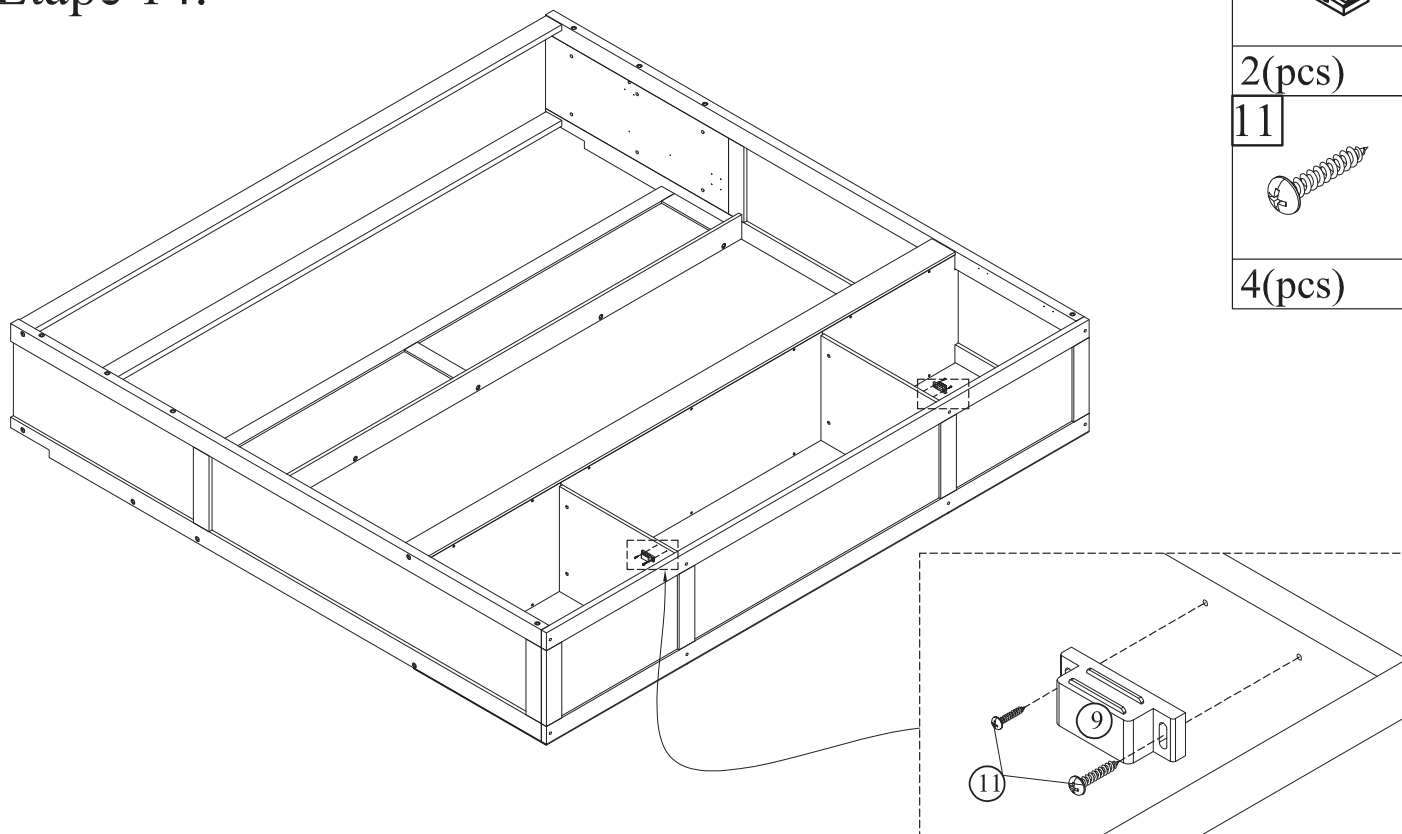
STEP 13:

Étape 13:



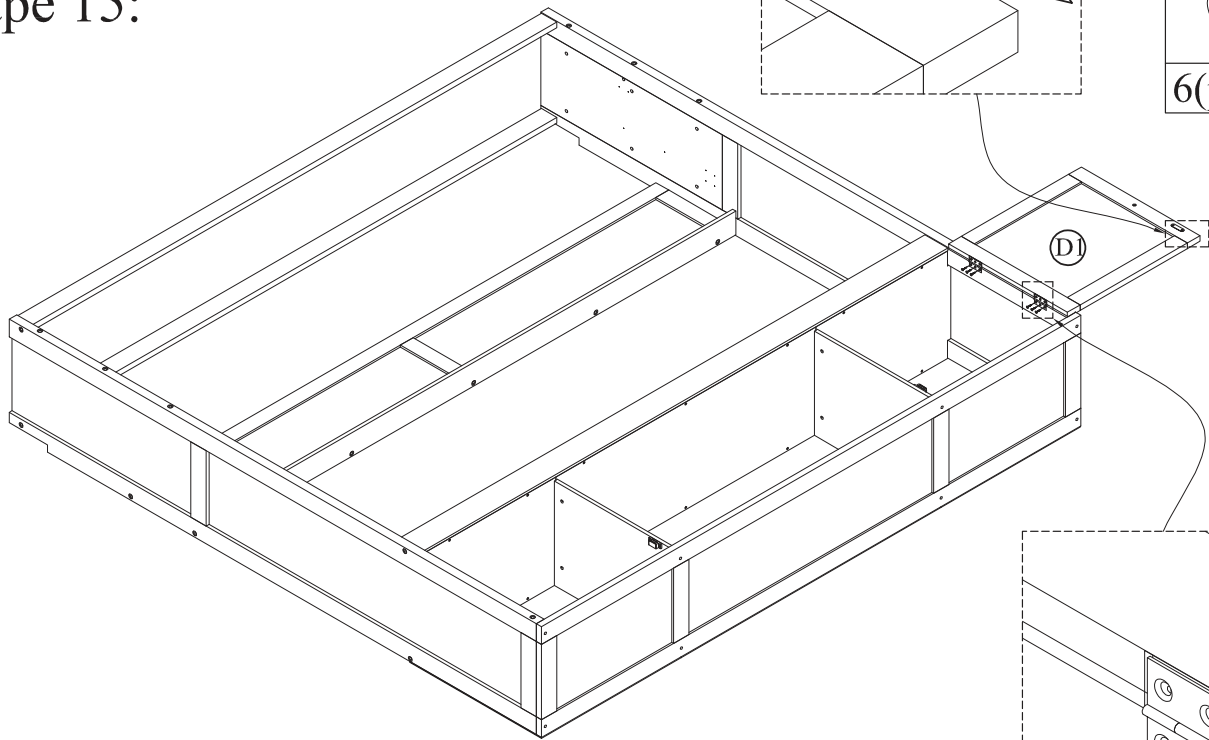
STEP 14:

Étape 14:

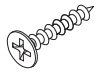


STEP 15:

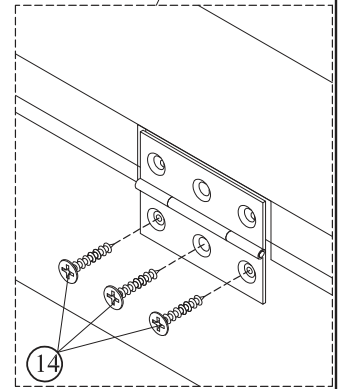
Étape 15:



14

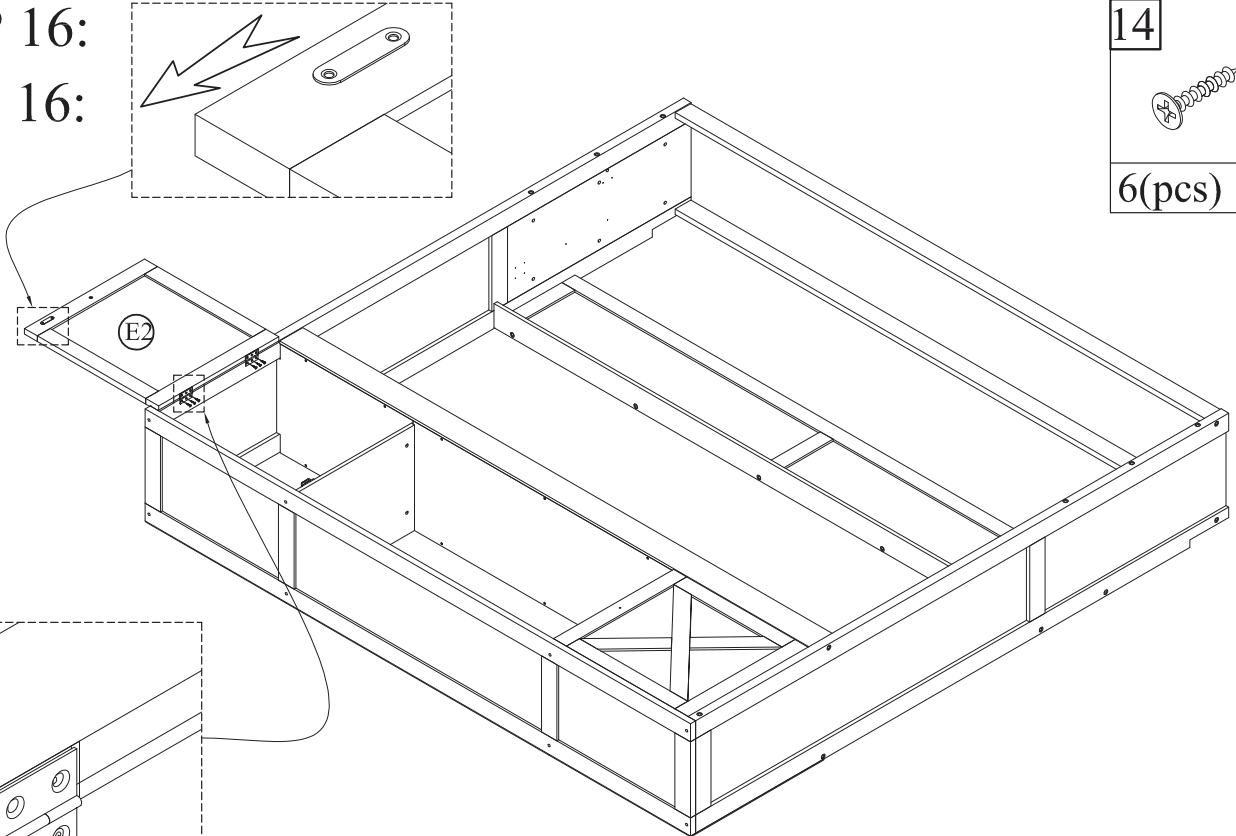


6(pcs)

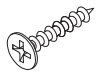


STEP 16:

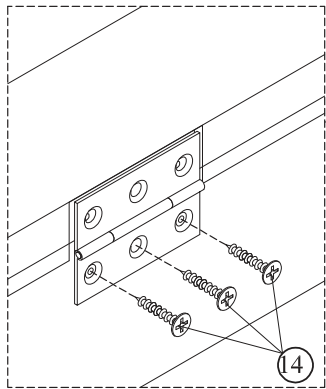
Étape 16:



14

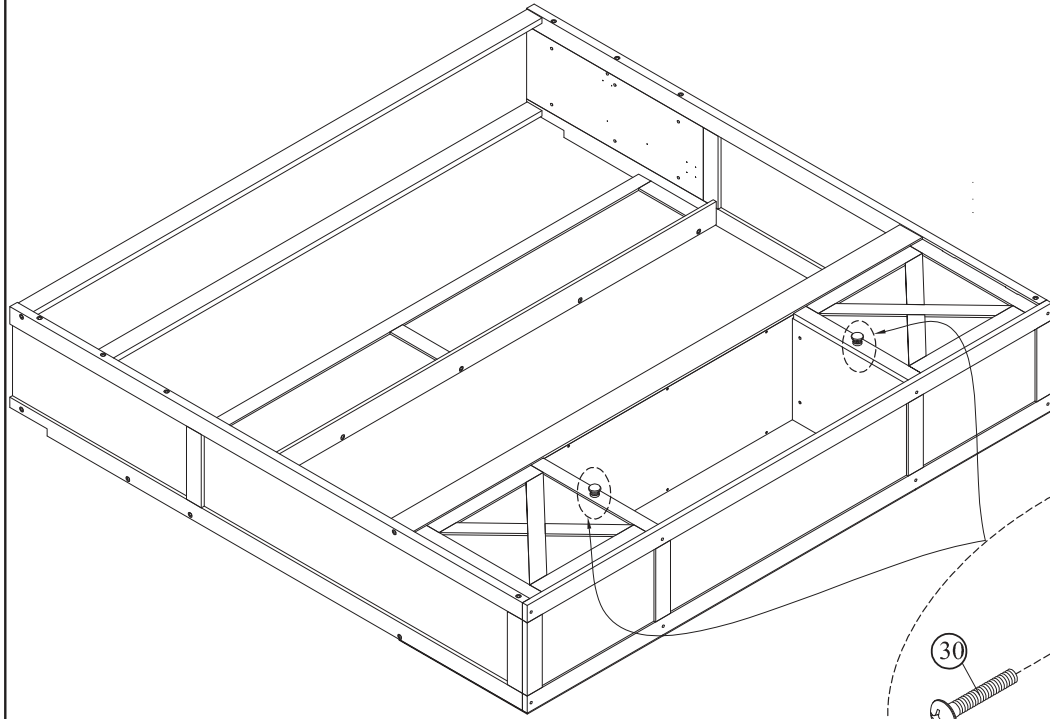




6(pcs)

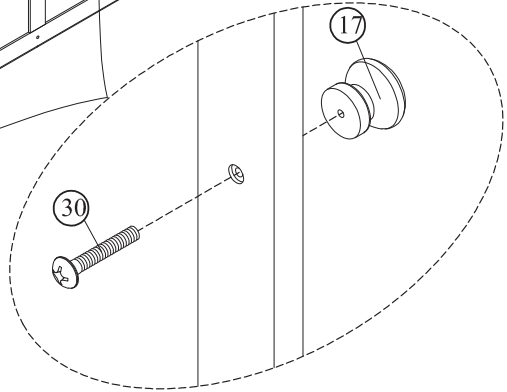


**STEP 17:**

**Étape 17:**

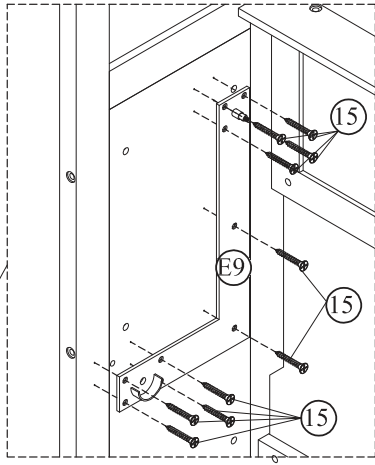
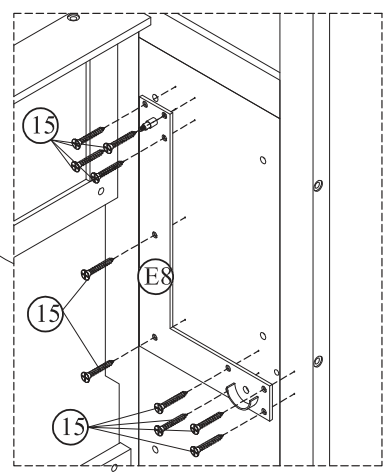
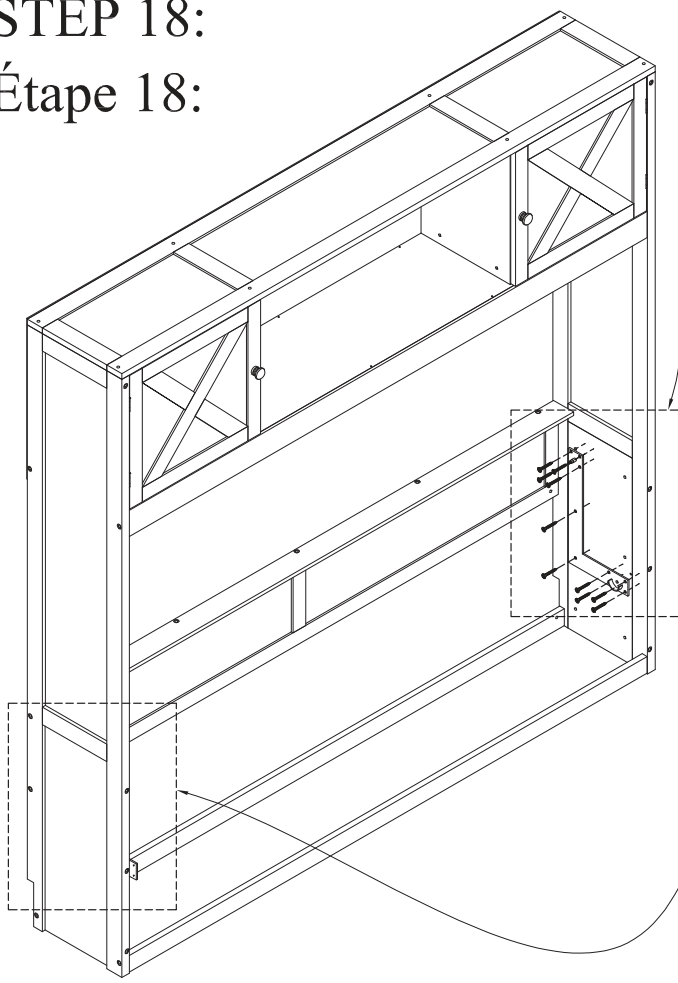



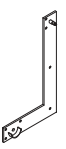

- 30**  

- 2(pcs)**
- 17**  

- 2(pcs)**



**STEP 18:**

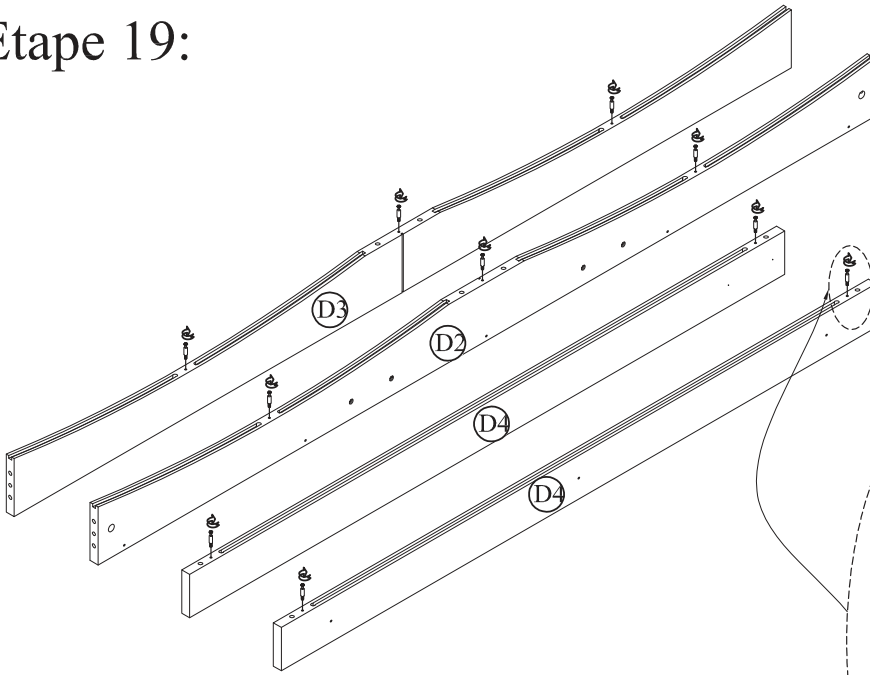
**Étape 18:**



- E8**  

- 1(pc)**
- E9**  

- 1(pc)**
- 15**  

- 20(pcs)**

STEP 19:

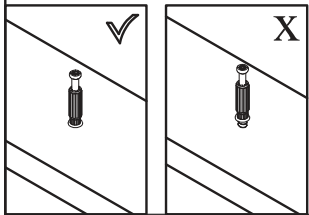
Étape 19:



7

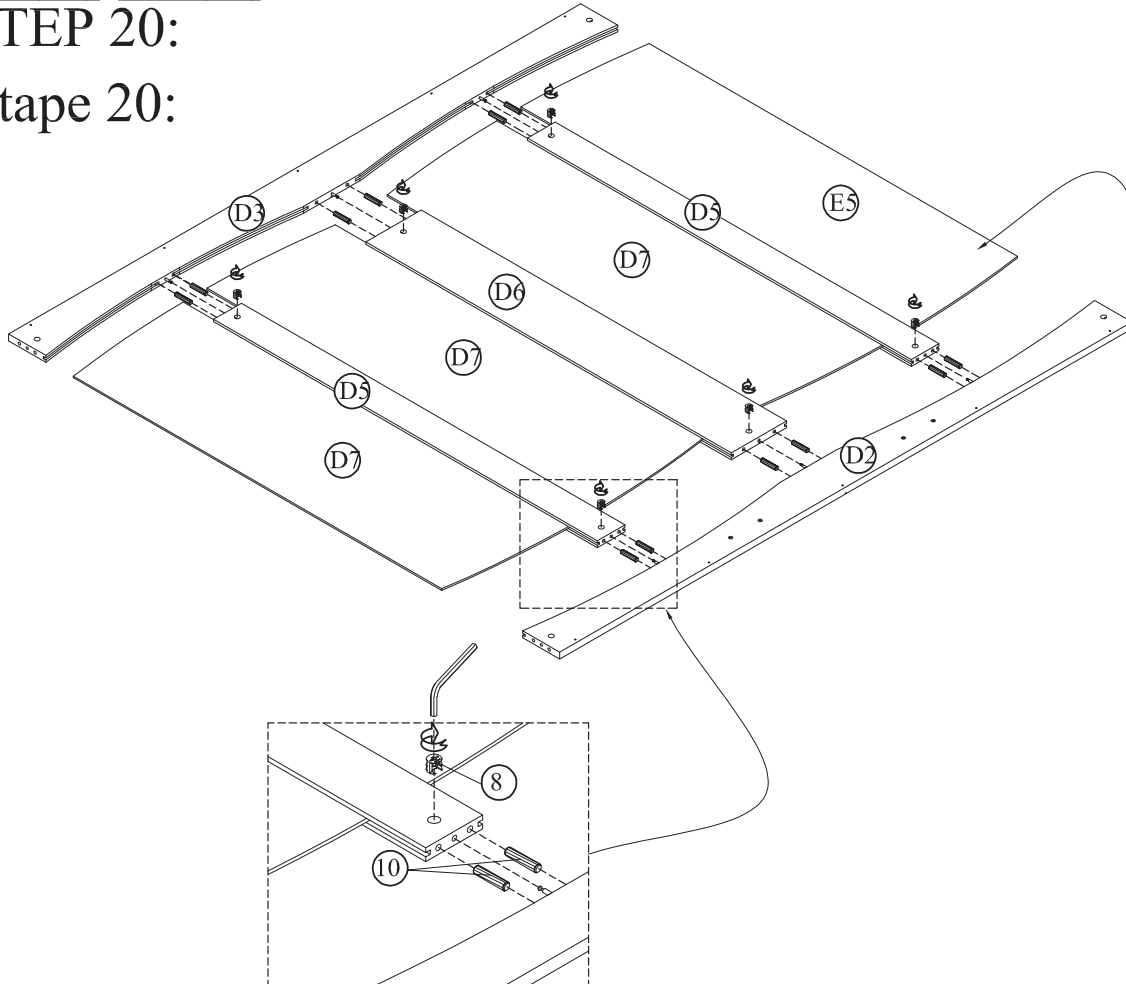


10(pcs)



STEP 20:

Étape 20:

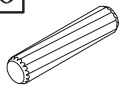


8

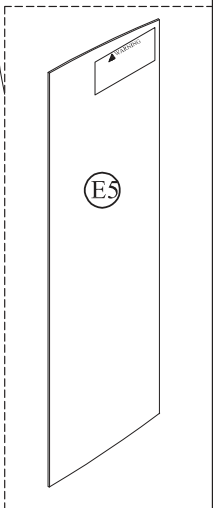


6(pcs)

10



12(pcs)



E5

STEP 21:

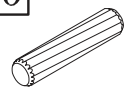
Étape 21:

8

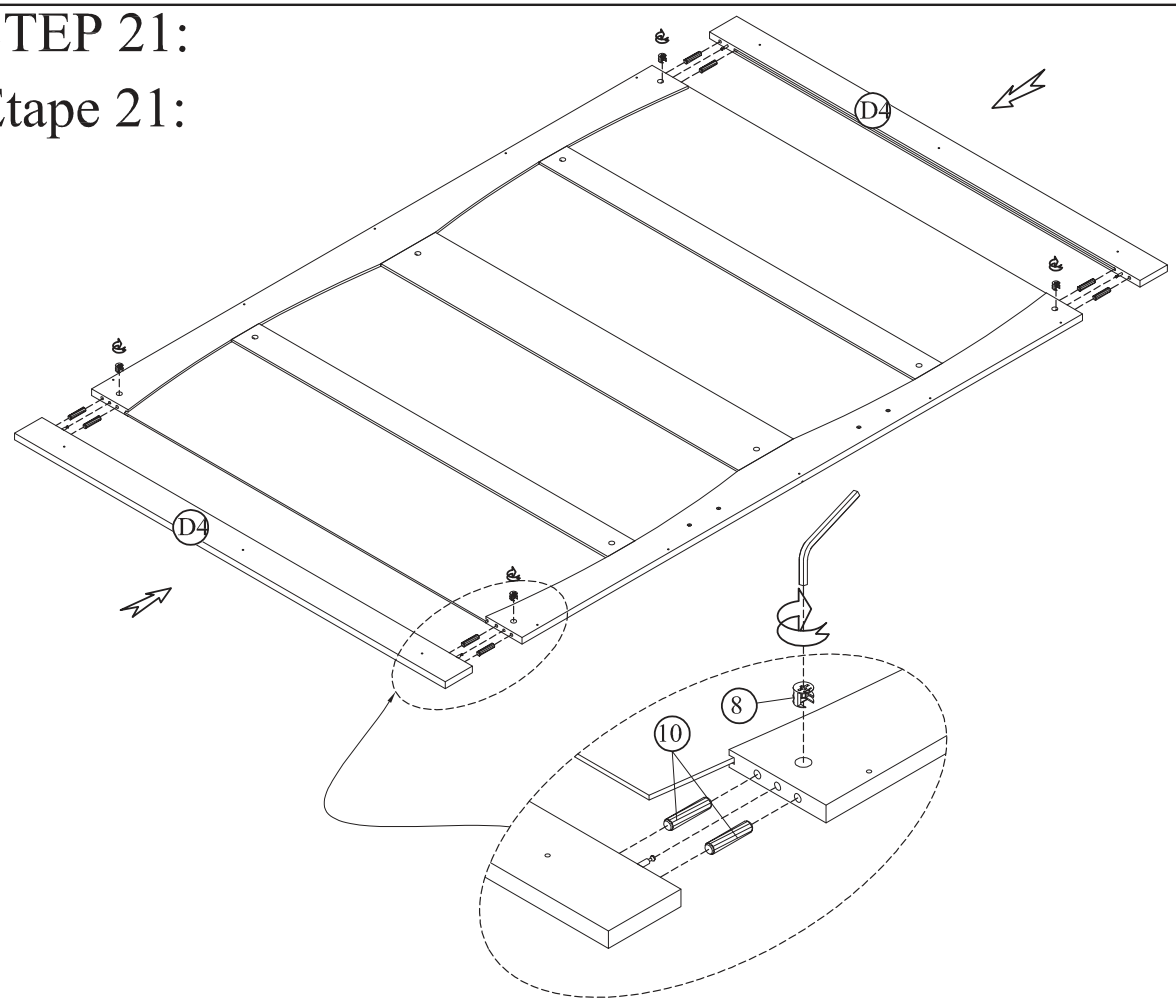


4(pcs)

10



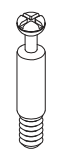
8(pcs)



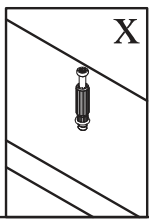
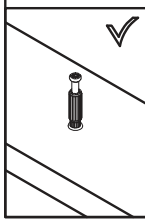
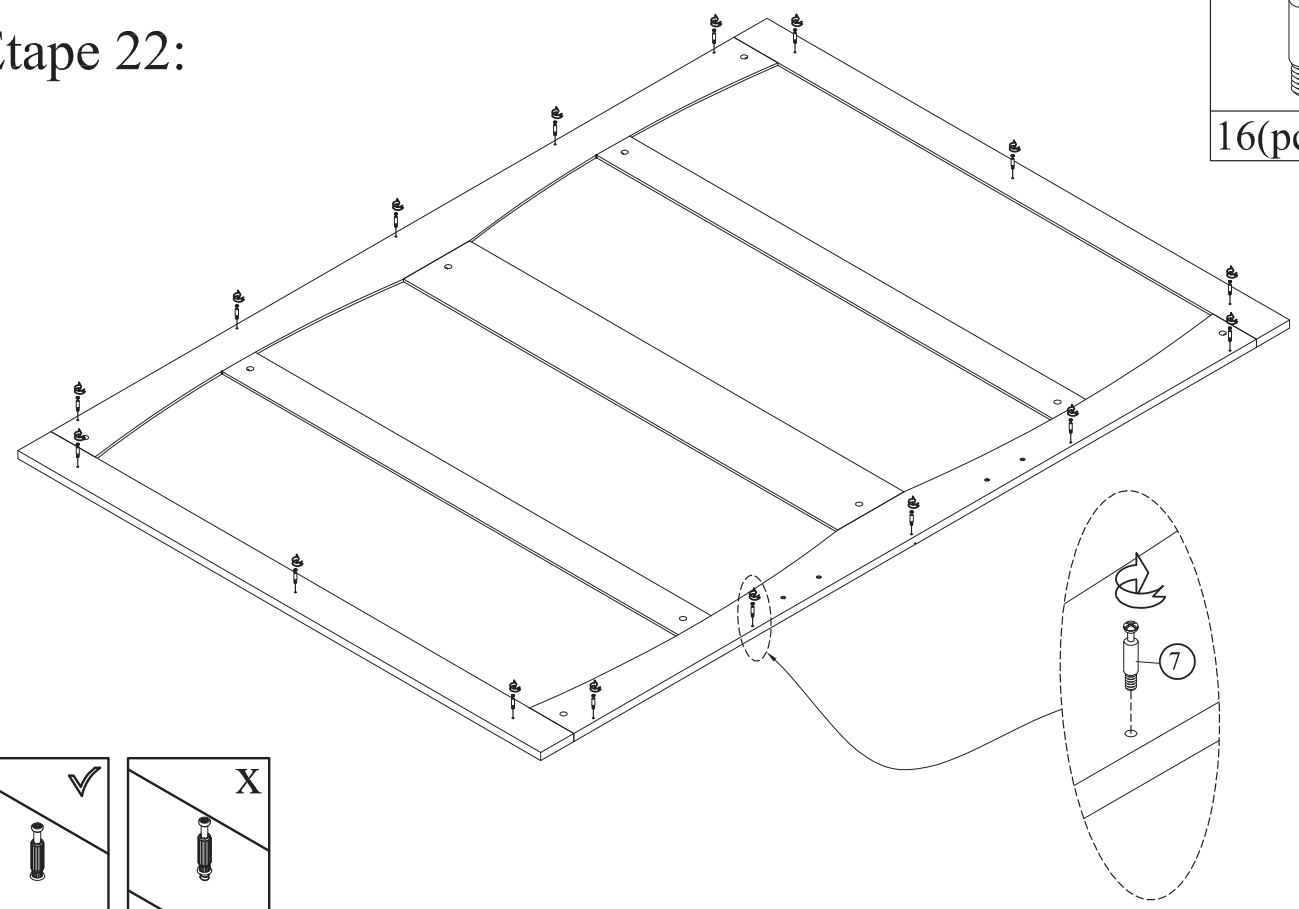
STEP 22:

Étape 22:

7

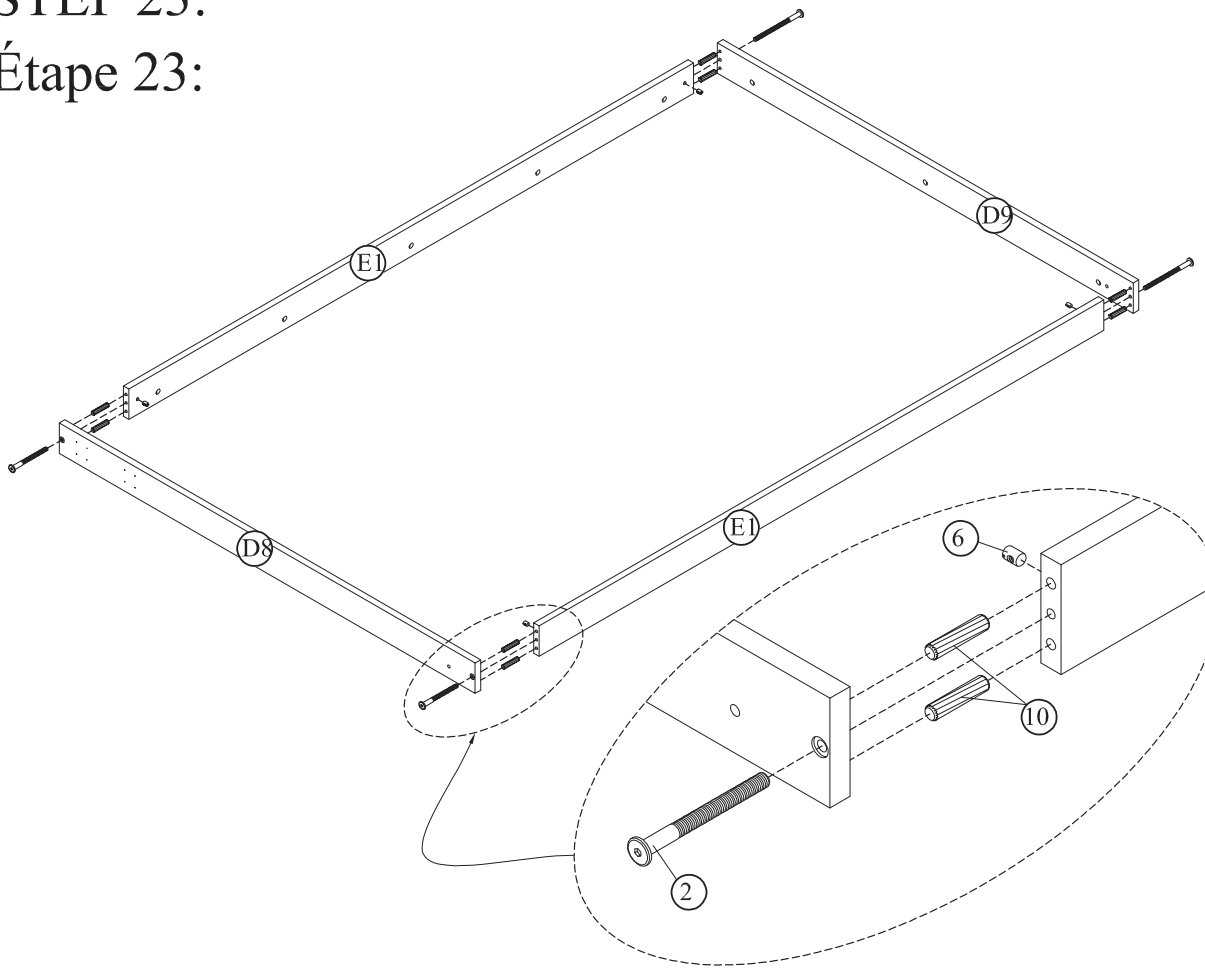


16(pcs)



STEP 23:

Étape 23:



2



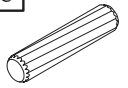
4(pcs)

6



4(pcs)

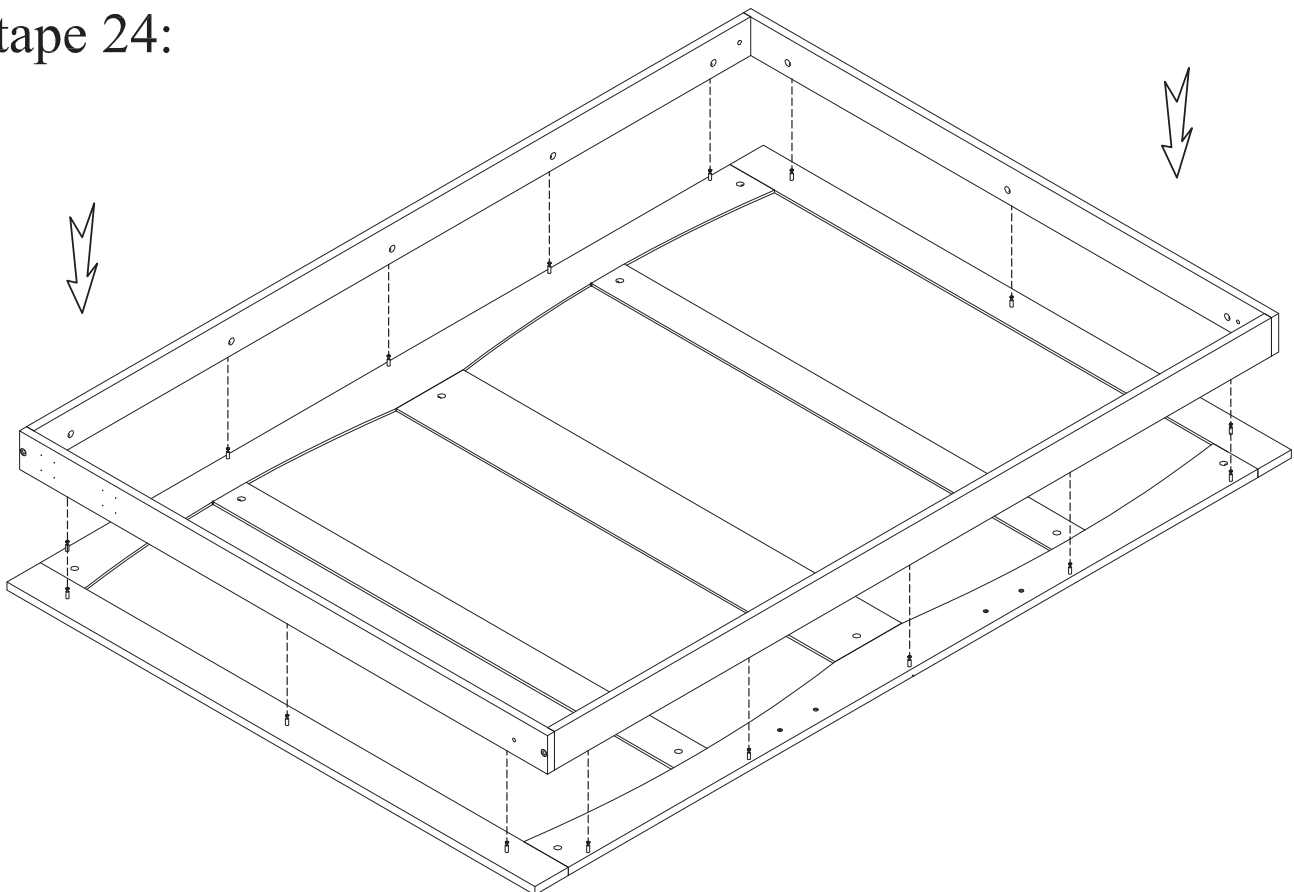
10



8(pcs)

STEP 24:

Étape 24:



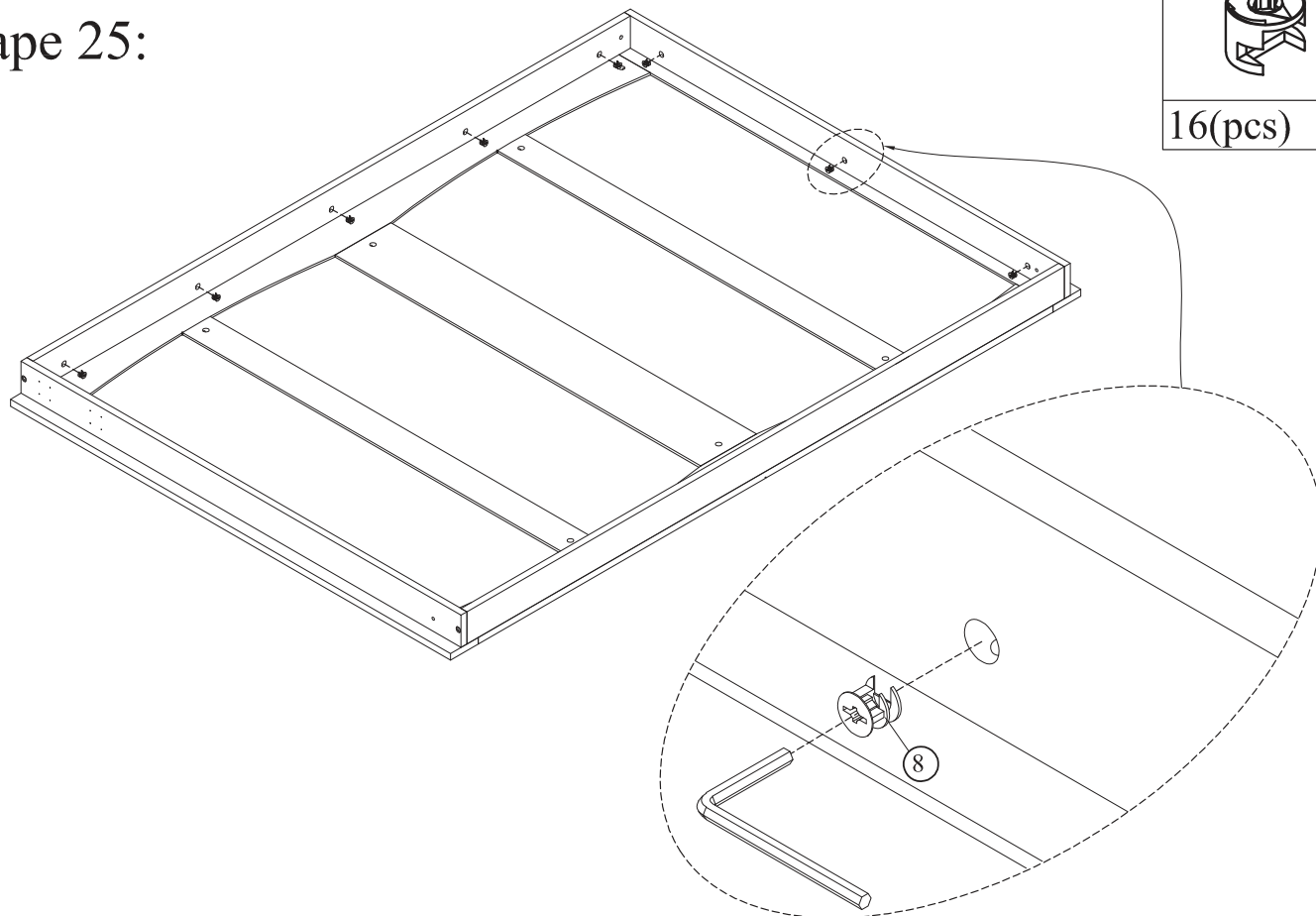
STEP 25:

Étape 25:

8



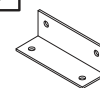
16(pcs)



STEP 26:

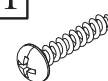
Étape 26:

19

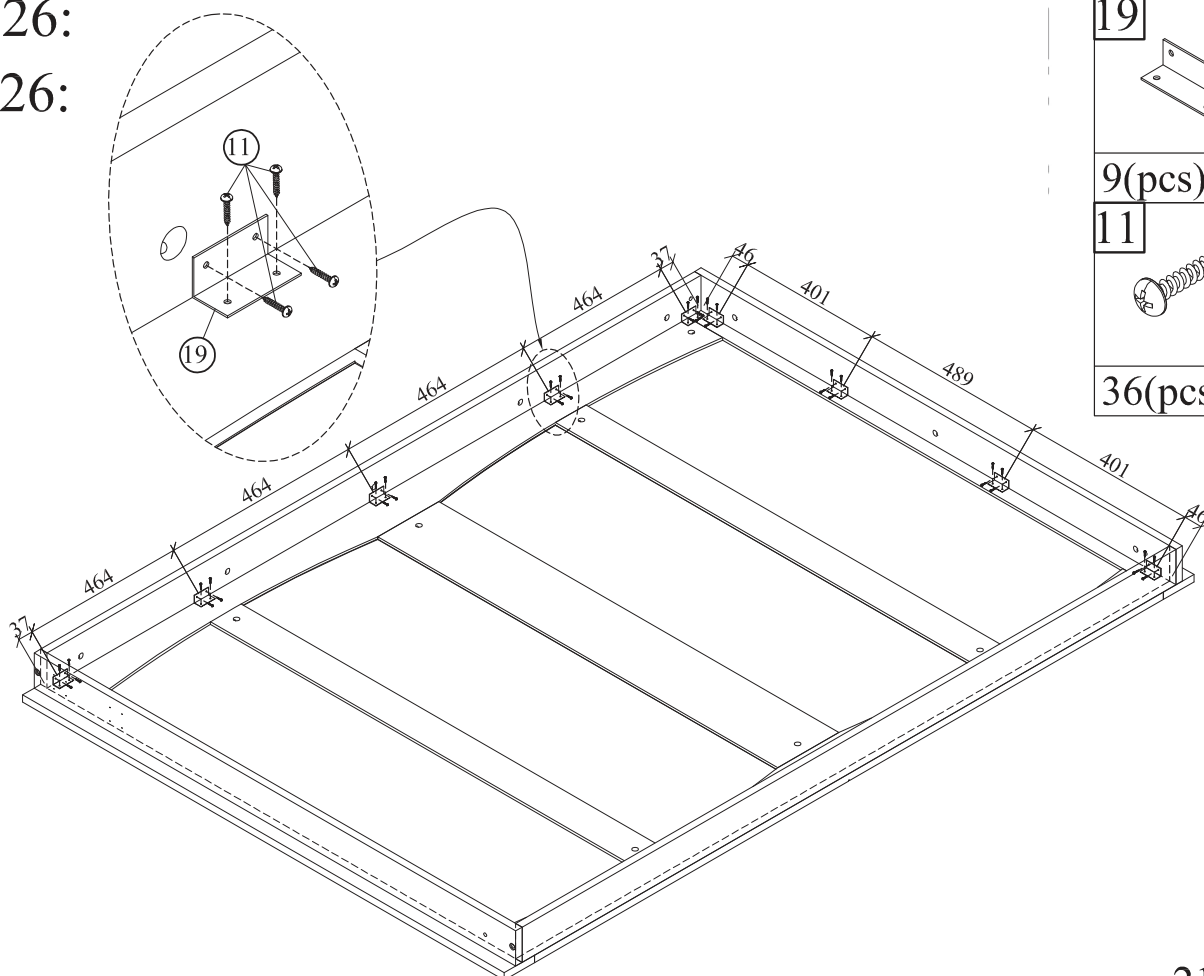


9(pcs)

11

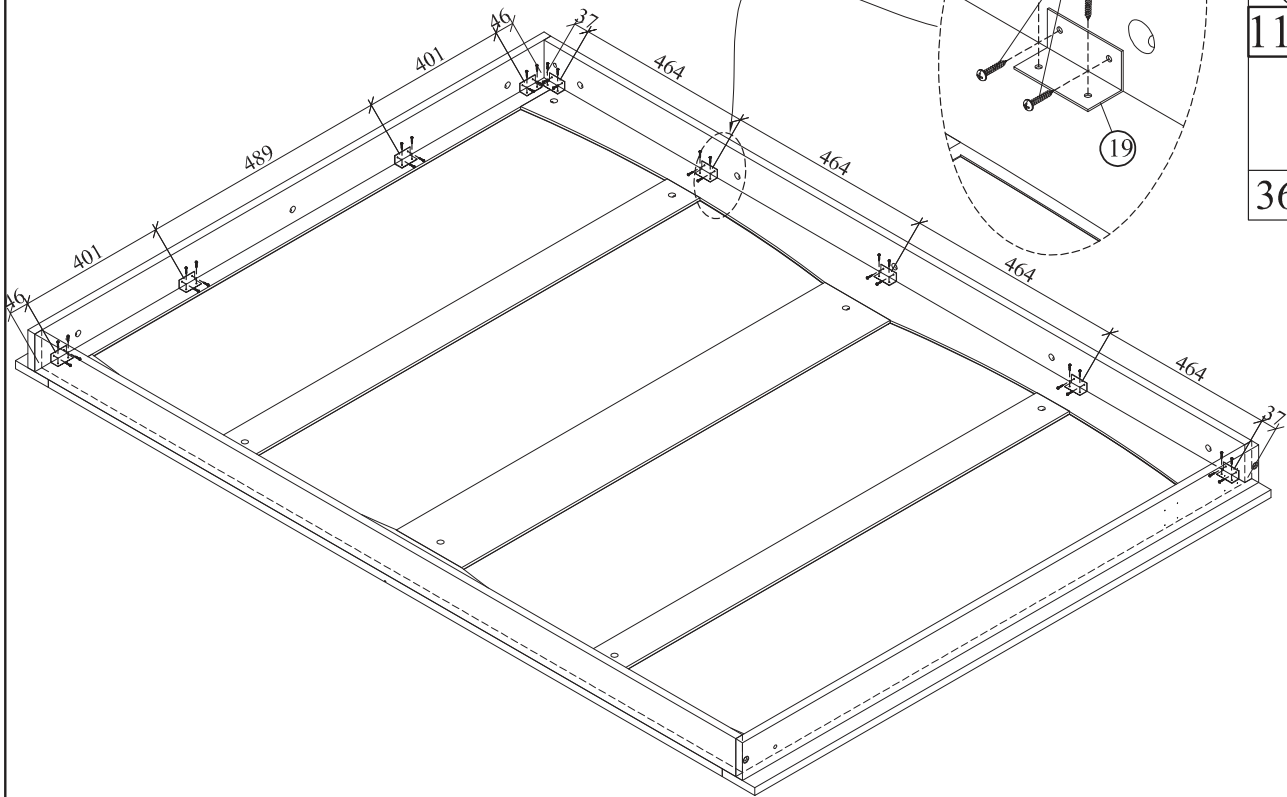


36(pcs)

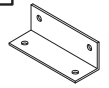


STEP 27:

Étape 27:

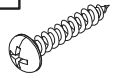


19



9(pcs)

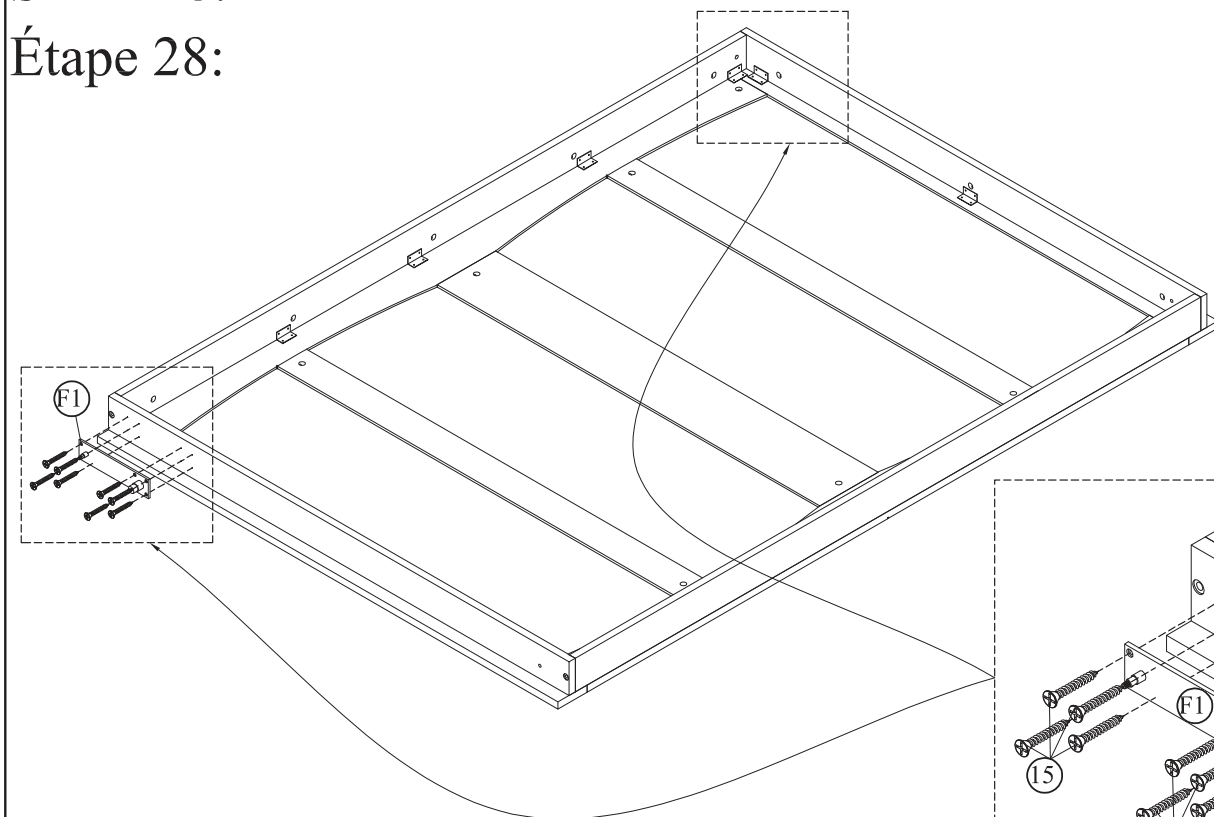
11



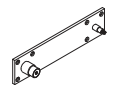
36(pcs)

STEP 28:

Étape 28:

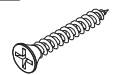


F1

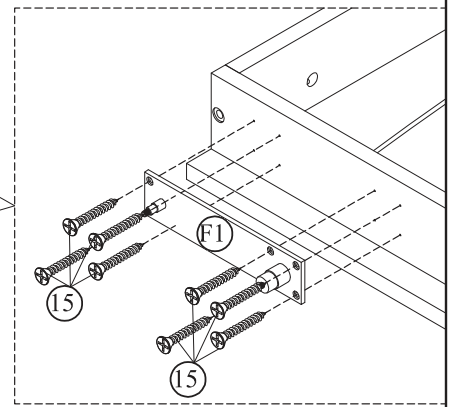


2(pcs)

15

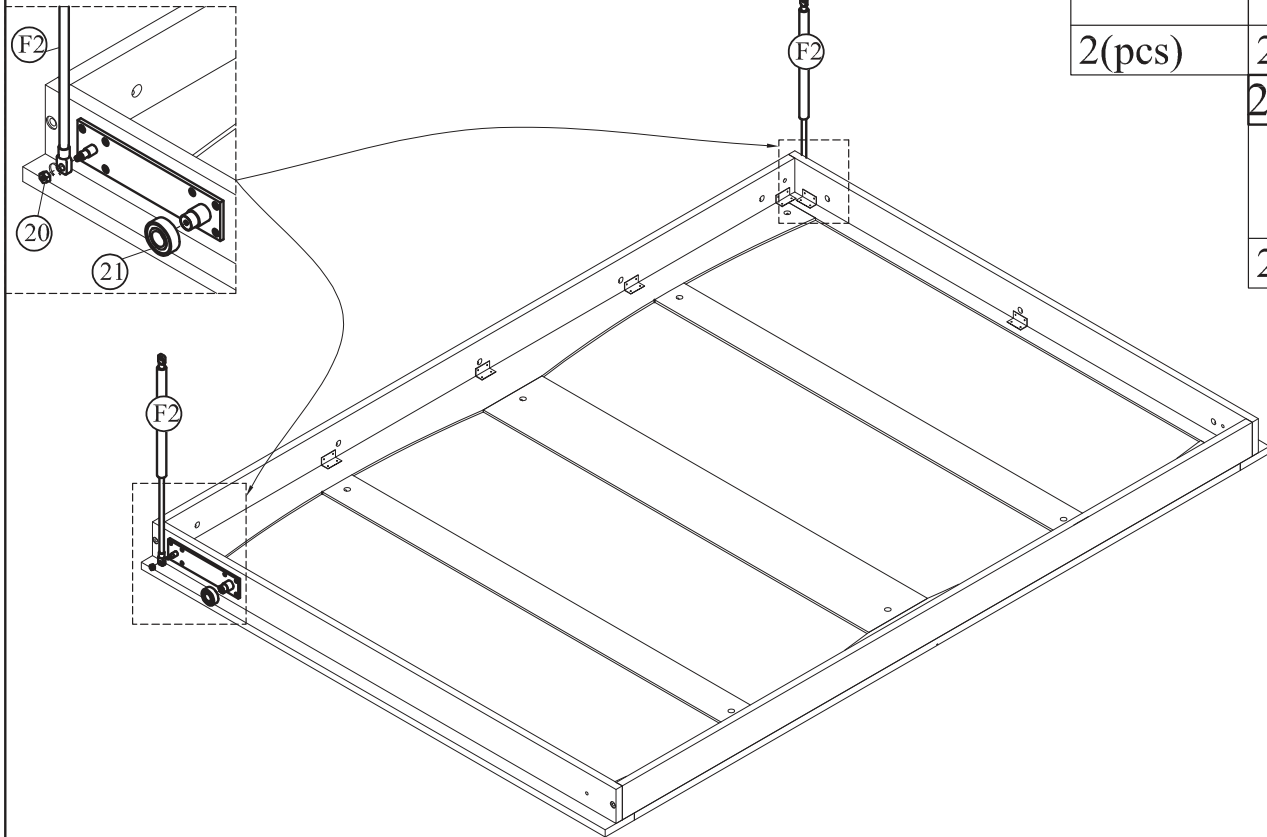


16(pcs)



STEP 29:

Étape 29:



F2

20



2(pcs)

2(pcs)

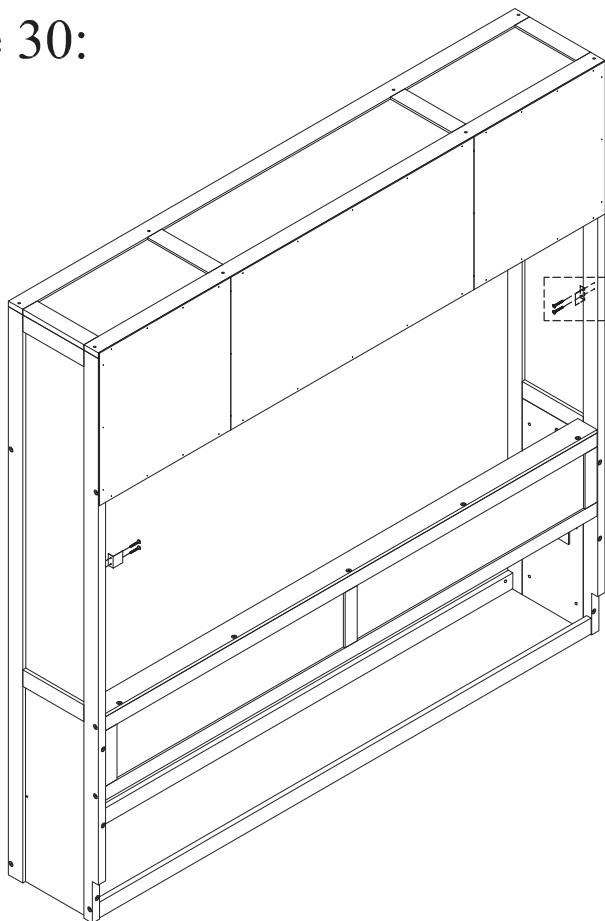
21



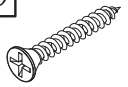
2(pcs)

STEP 30:

Étape 30:



15

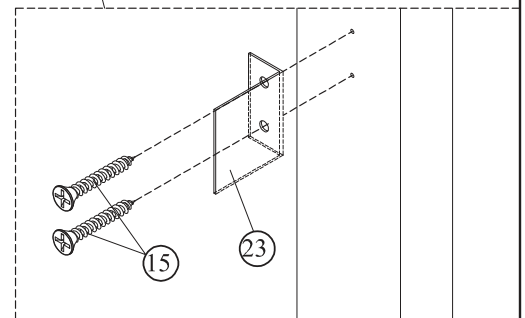


4(pcs)

23



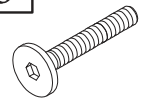
2(pcs)



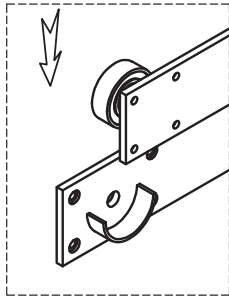
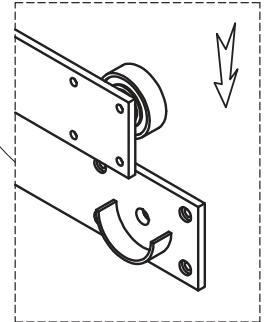
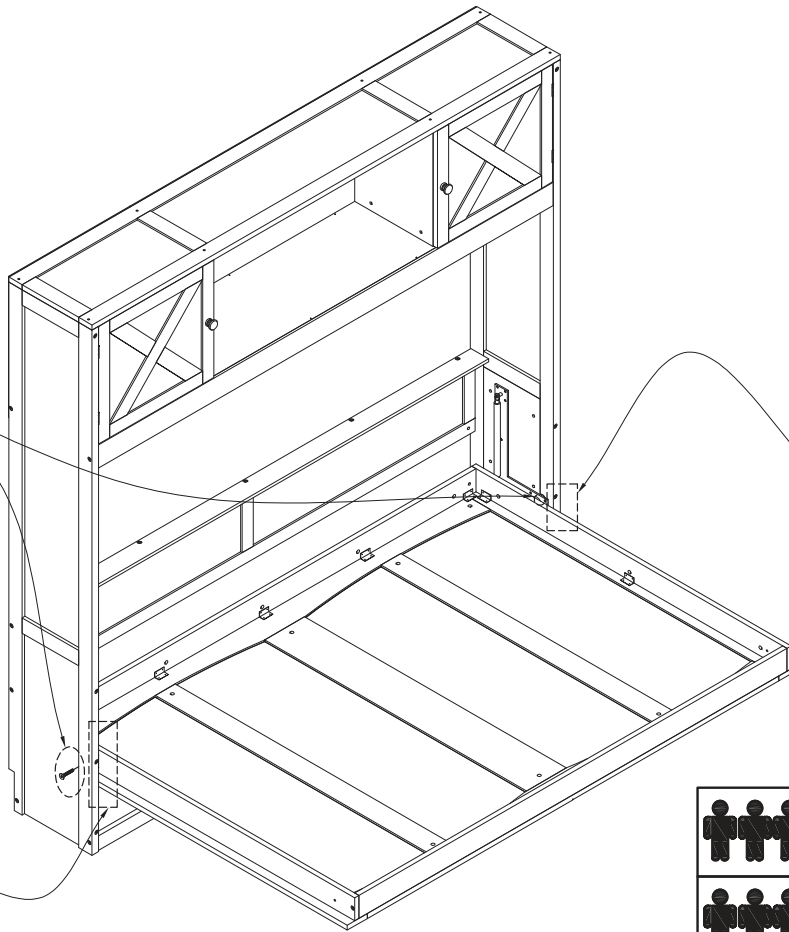
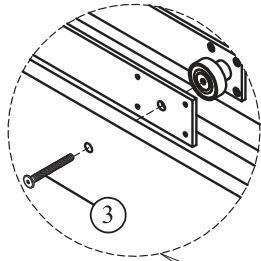
# STEP 31:

## Étape 31:

3



2(pcs)



Requires 4 people to assemble  
(2 people hold the large cabinet  
in place and 2 people tilt the bed  
until accessories are in place)



Nécessite 4 personnes pour l'assemblage  
(2 personnes tiennent le grand meuble  
en place et 2 personnes inclinent le lit  
jusqu'à ce que les accessoires soient en  
place)

# STEP 32:

## Étape 32:

20



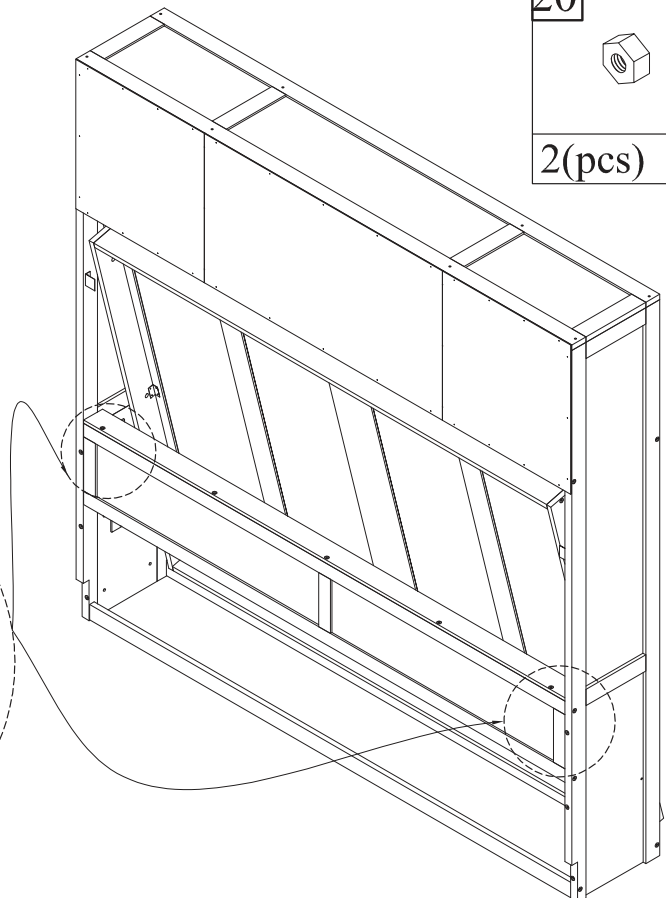
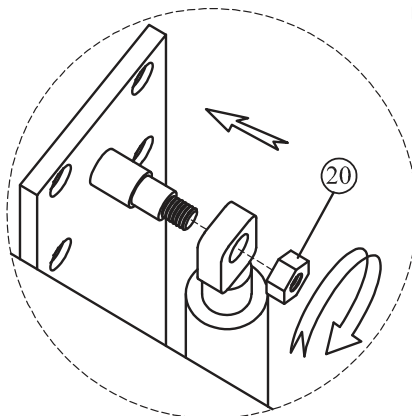
2(pcs)



Requires 4 people to assemble  
(2 people hold the large cabinet  
in place and 2 people tilt the bed  
until accessories are in place)

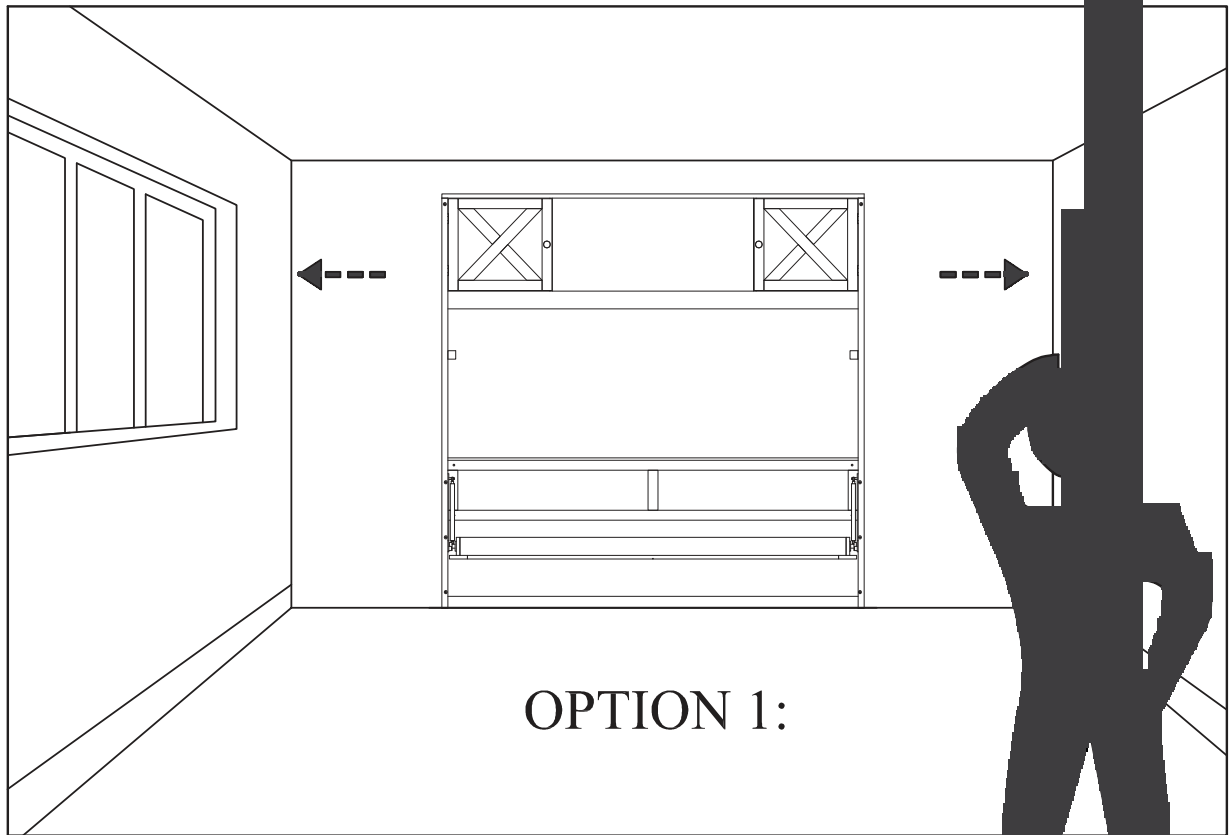


Nécessite 4 personnes pour l'assemblage  
(2 personnes tiennent le grand meuble  
en place et 2 personnes inclinent le lit  
jusqu'à ce que les accessoires soient en  
place)



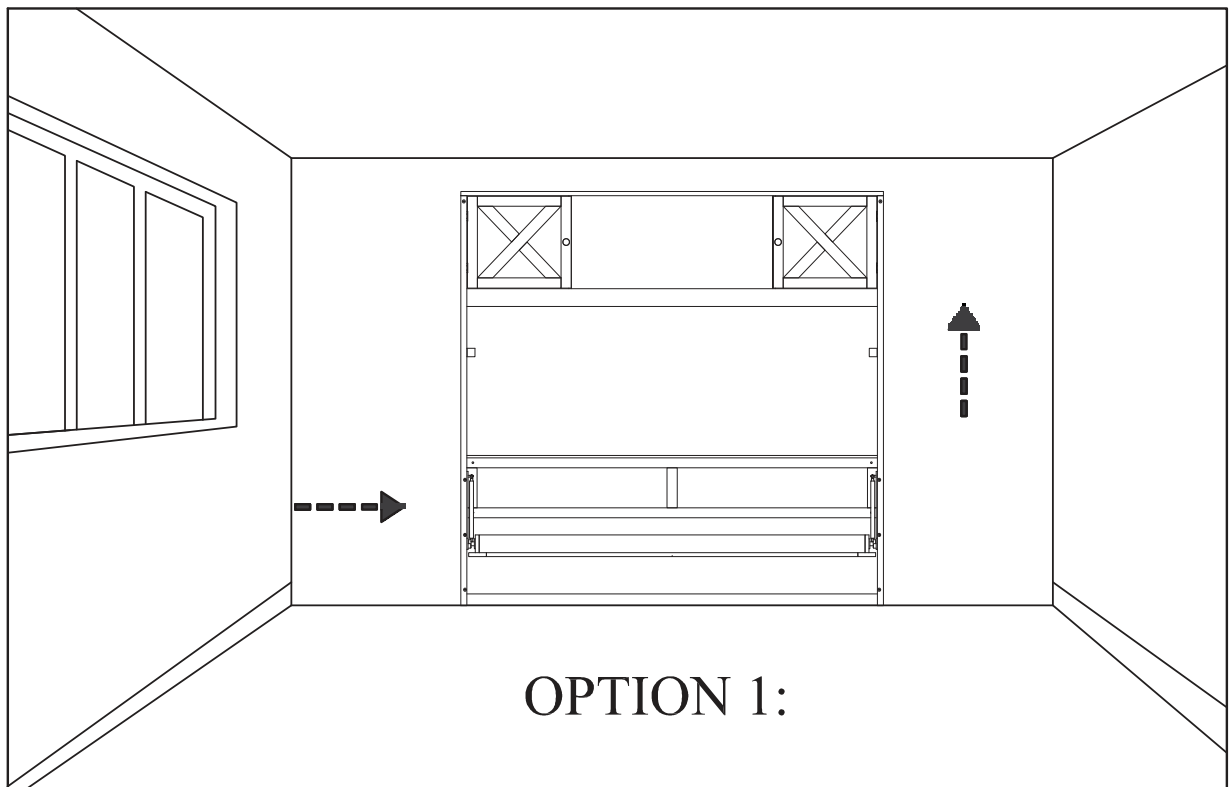
1- Determine the position of the bed in the room.

1- Déterminez la position du lit dans la pièce

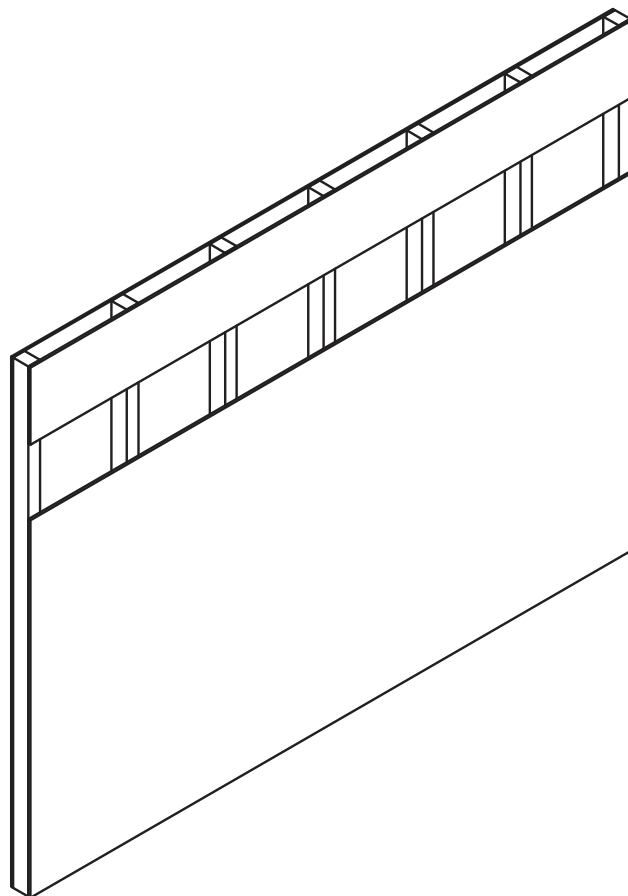


2- Put the bed back in its place. Please keep it vertical and horizontal.

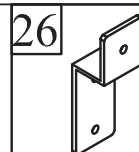
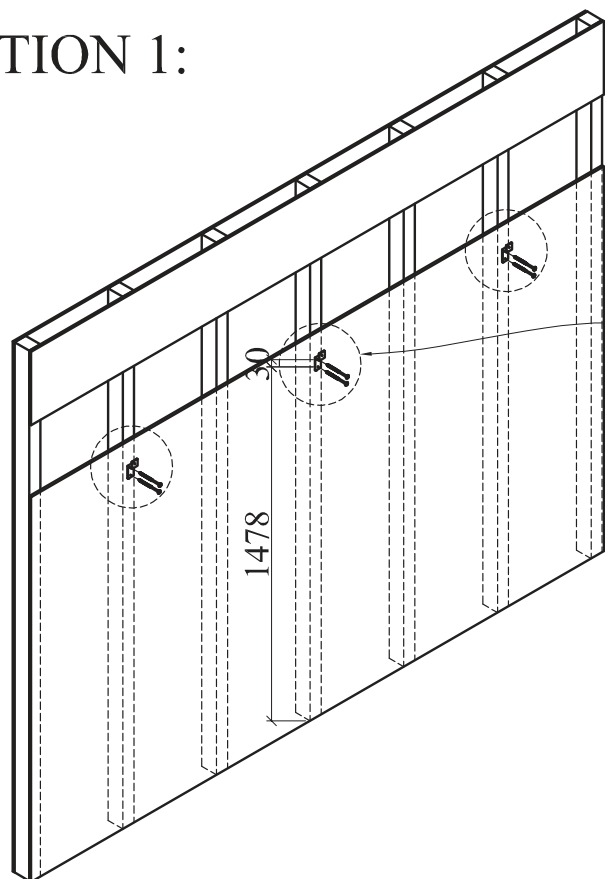
2- Remettez le lit à sa place. Veuillez le garder vertical et horizontal.



OPTION 1:



OPTION 1:

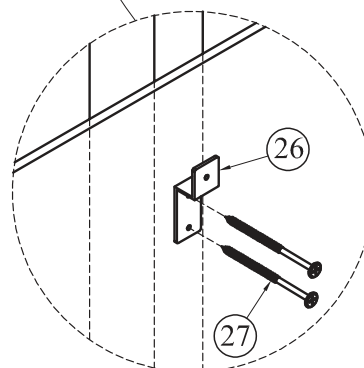


3(pcs)

27



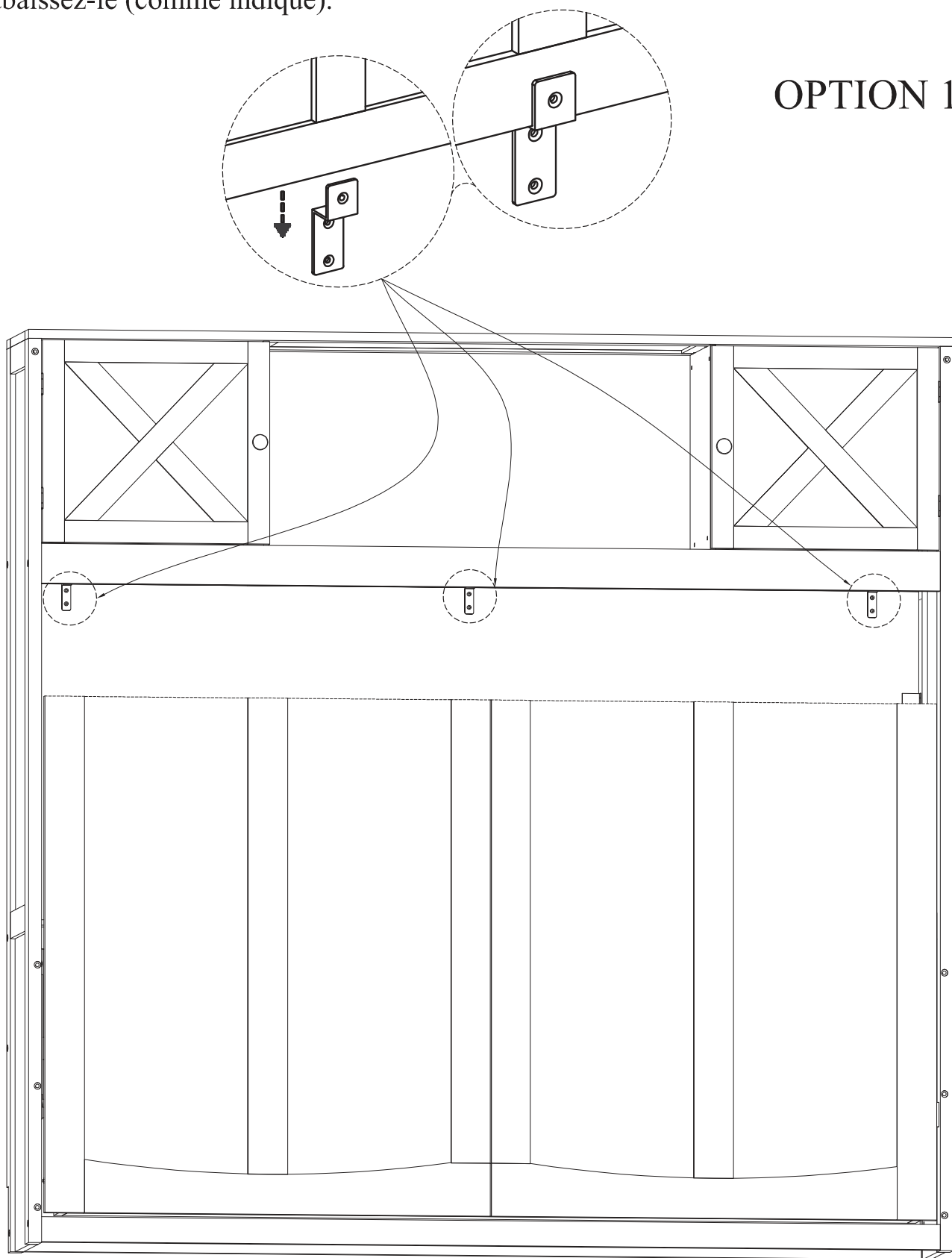
6(pcs)



Raise the bed from its previously fixed position, press it against the wall and lower it (as shown).

Soulevez le lit de sa position précédemment fixée, appuyez-le contre le mur et abaissez-le (comme indiqué).

OPTION 1:



# STEP 33:

## Étape 33:

15



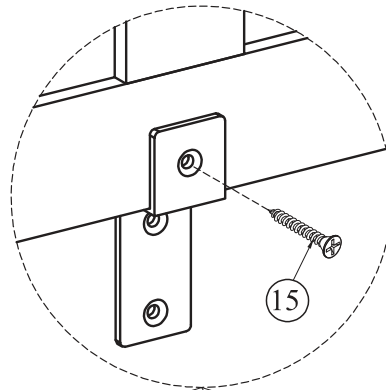
3(pcs)



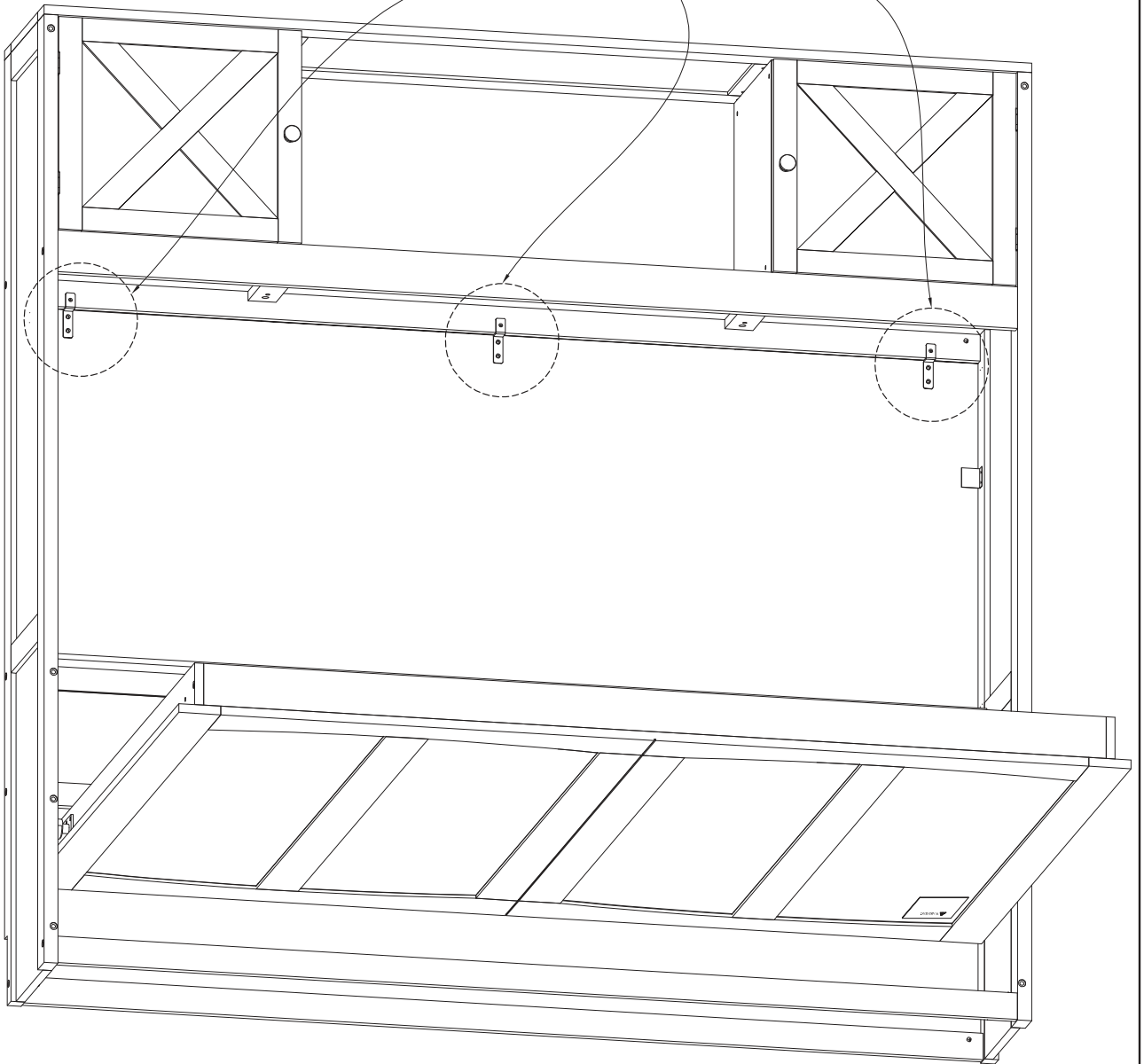
Requires 4 people to assemble  
(2 people hold the large cabinet  
in place and 2 people tilt the bed  
until accessories are in place)



Nécessite 4 personnes pour l'assemblage  
(2 personnes tiennent le grand meuble  
en place et 2 personnes inclinent le lit  
jusqu'à ce que les accessoires soient en  
place)

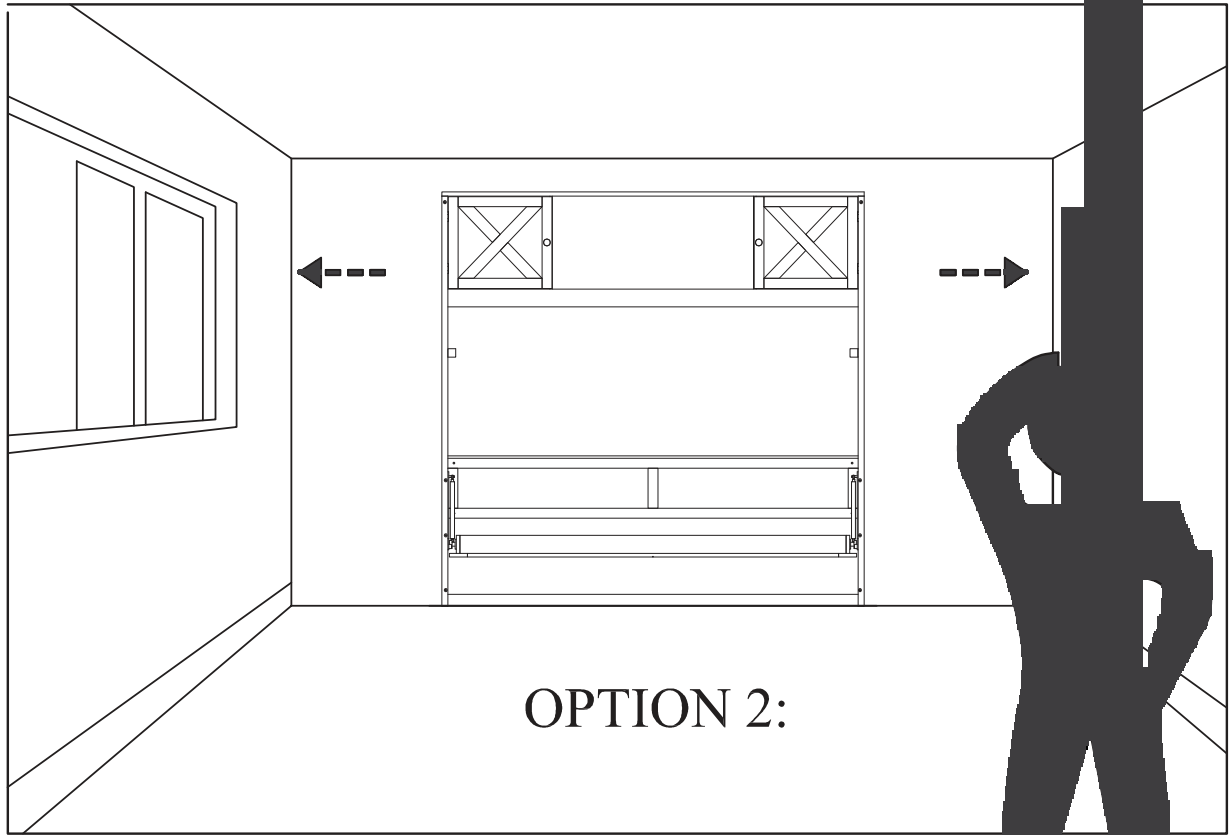


### OPTION 1:



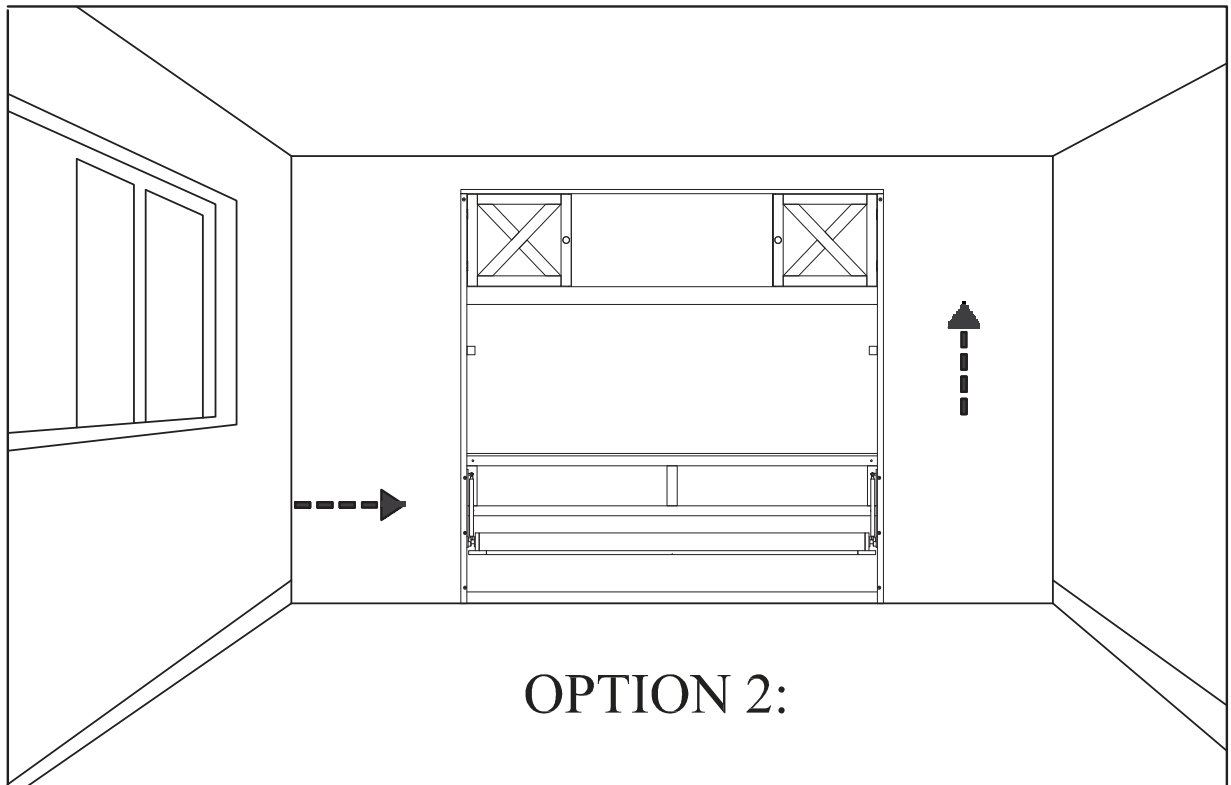
1- Determine the position of the bed in the room.

1- Déterminez la position du lit dans la pièce



2- Put the bed back in its place. Please keep it vertical and horizontal.

2- Remettez le lit à sa place. Veuillez le garder vertical et horizontal.



Wall attached item only:

## A guide to wall mounting and fixings

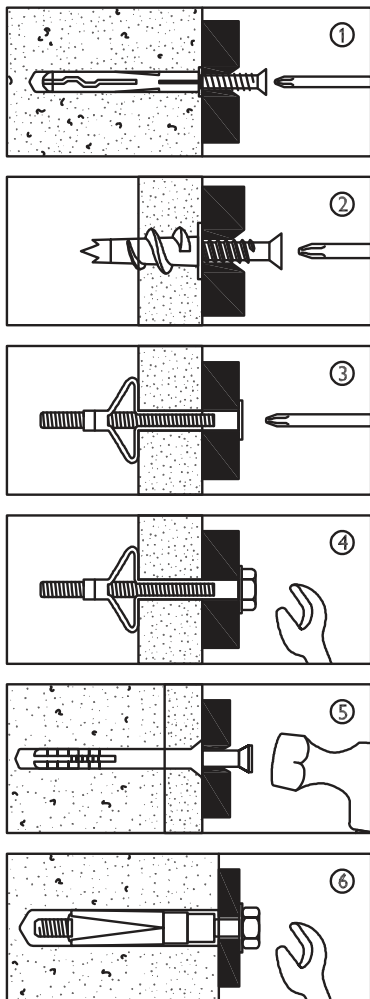


### Warning

Wall fixing screws are not included, since different wall materials require different types of screws / fixings. Please ensure you use the correct screws / fixings for your type of walls and seek professional advice if you are not sure.

Failure of the product due to incorrect fixings is the responsibility of the installer.

**Important:** When drilling into the walls always check that there are no hidden wires or pipes etc.



### Types of walls

You can use one of the following types of wall plug if your walls are made of brick, breezeblock, concrete, stone or wood.

#### 1. Genral Purpose wall plug

Generally aerated blocks should not be used to support heavy loads, use a specialist fitting in this case. For light loads, general - purpose wall plugs can be used.

#### 2. Plasterboard wall plug

For use when attaching light loads on to plasterboard partitions.

#### 3. Cavity Fixing wall plug

For use with plasterboard partitions or hollow wooden doors.

#### 4. Cavity Fixing - Heavy Duty wall plug

For use when fitting or supporting heavy loads such as shelving, wall cabinets and coat racks.

#### 5. Hammer Fixing wall plug

For use with walls stuck with plasterboard. The hammer fixing allows it to be fixed to the wall rather than the plasterboard. Always check the fixing is secure to the retaining wall.

#### 6. Shield Anchor wall plug - Heavy loads

For use with heavier load such as TV and HI-Fi speakers and satellite dishes etc.



### Care and maintenance

**Safety:** Periodically check all fittings and wall fixings to ensure they have not come loose and retighten as necessary.

Article à fixer au mur uniquement :

## Guide de montage mural et de fixation



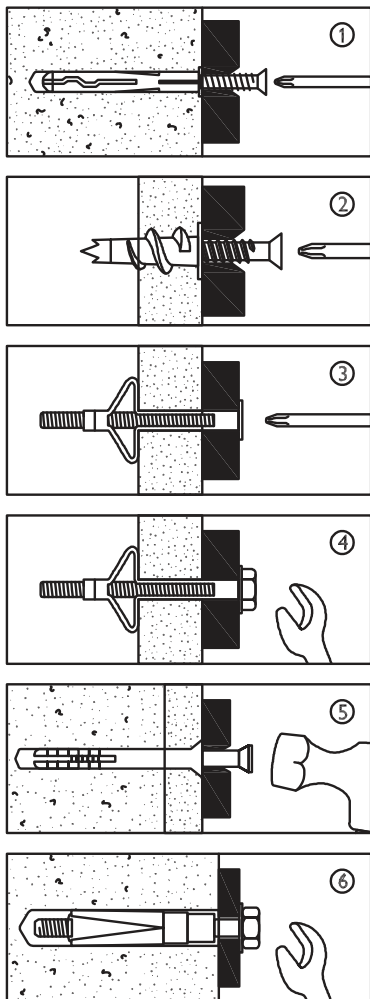
### Attention

Les vis de fixation murale ne sont pas incluses, car différents matériaux de mur nécessitent différents types de vis / fixations.

Veillez vous assurer d'utiliser les vis / fixations correctes pour votre type de murs et demander conseil à un professionnel si vous n'êtes pas sûr.

L'échec du produit en raison de fixations incorrectes est de la responsabilité de l'installateur.

**Important :** Lorsque vous percez dans les murs, vérifiez toujours s'il n'y a pas de fils électriques ou de tuyaux cachés, etc



### Types de murs

Vous pouvez utiliser l'un des types de cheville murale suivants si vos murs sont en brique, parpaing, béton, pierre ou bois.

#### 1. Cheville murale polyvalente

En général, les blocs aérés ne devraient pas être utilisés pour supporter des charges lourdes. Dans ce cas, utilisez un dispositif de fixation spécialisé. Pour les charges légères, des chevilles murales polyvalentes peuvent être utilisées.

#### 2. Cheville pour plaque de plâtre

Pour une utilisation lors de la fixation de charges légères sur des cloisons en placo-plâtre

#### 3. Cheville de fixation pour cavité

À utiliser avec des cloisons en placo-plâtre ou des portes en bois creuses.

#### 4. Cheville de fixation pour cavité - à usage intensif

À utiliser lors de l'installation ou du support de charges lourdes telles que des étagères, des armoires murales et des porte-manteaux.

#### 5. Cheville de fixation à marteau

À utiliser avec des murs recouverts de placo-plâtre. La fixation à marteau permet de la fixer au mur plutôt qu'au placo-plâtre. Vérifiez toujours que la fixation est bien sécurisée au mur porteur.

#### 6. Cheville à ancre de protection - Charges lourdes

À utiliser avec des charges plus lourdes telles que des téléviseurs, des enceintes hi-fi et des antennes satellites, etc.

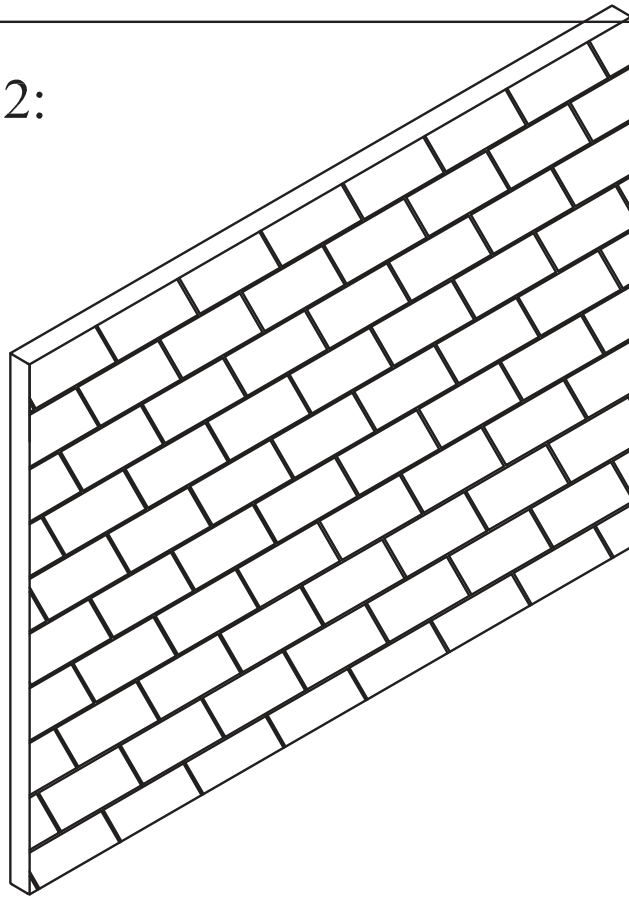


Entretien et maintenance

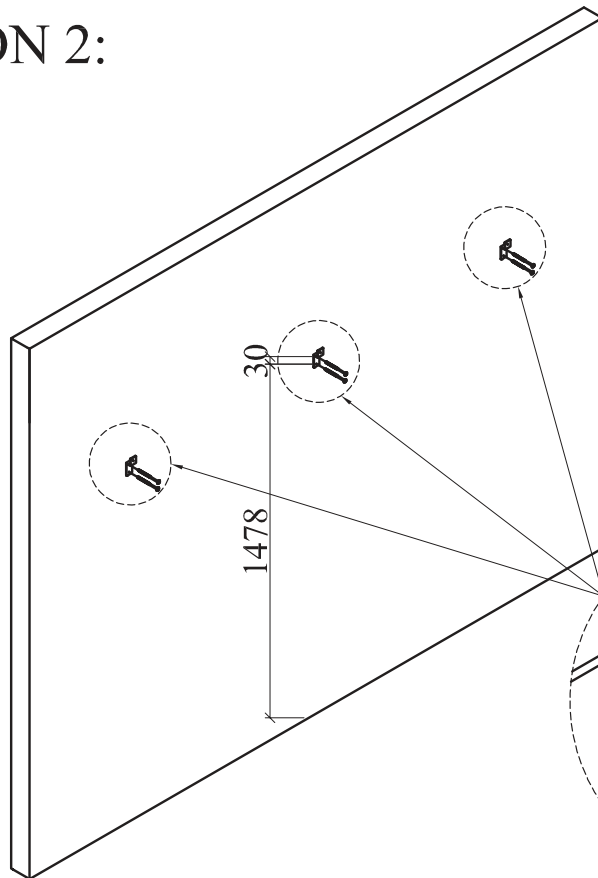
**Sécurité:** Périodiquement, vérifiez tous les raccords et fixations murales pour vous assurer qu'ils ne se sont pas desserrés et resserrez-les si nécessaire.



OPTION 2:



OPTION 2:

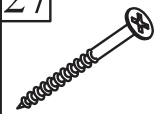


26

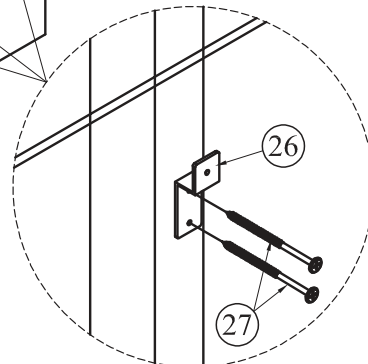


3(pcs)

27



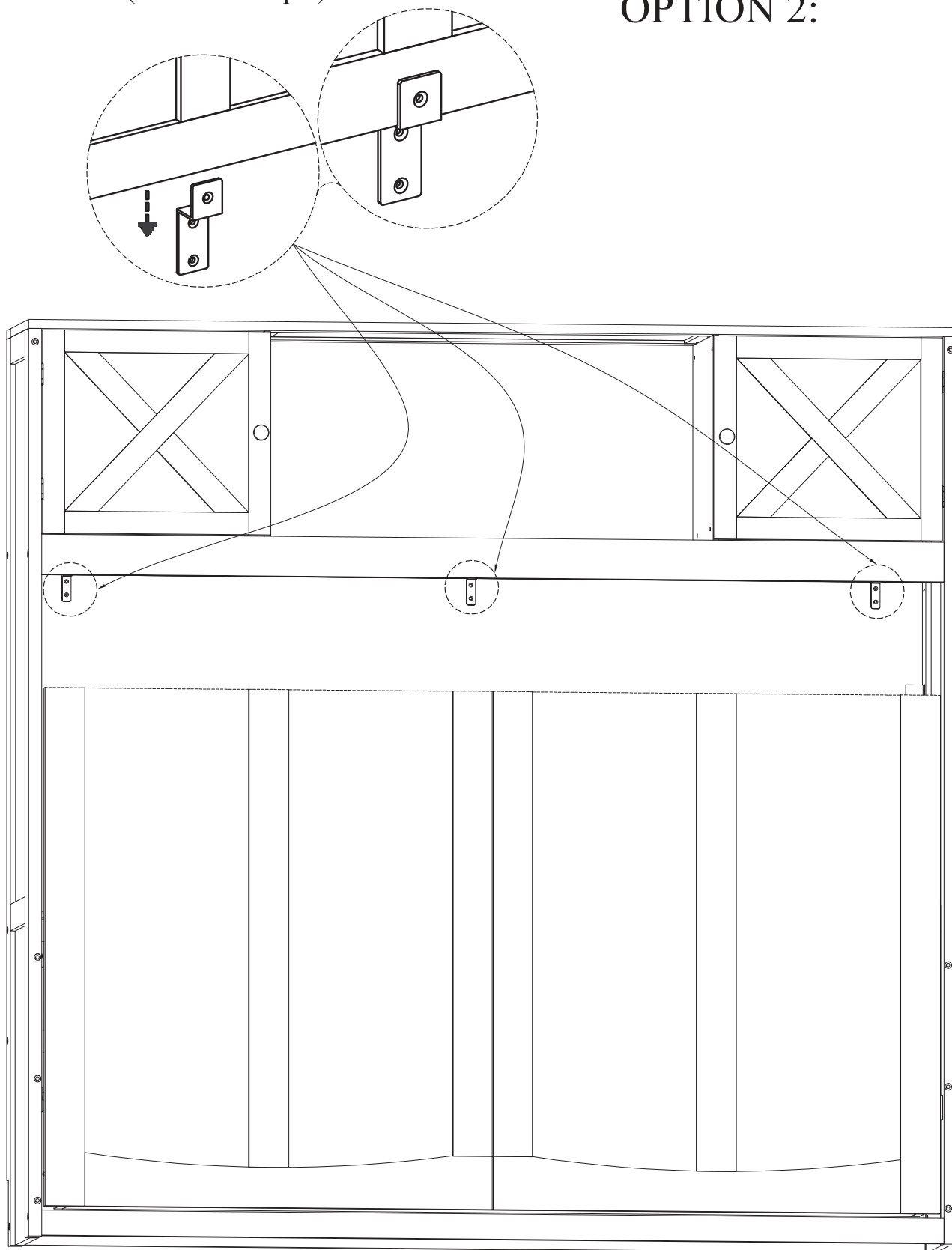
6(pcs)



Raise the bed from its previously fixed position, press it against the wall and lower it (as shown).

Soulevez le lit de sa position précédemment fixée, appuyez-le contre le mur et abaissez-le (comme indiqué).

## OPTION 2:



# STEP 33:

## Étape 33:

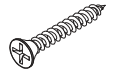


Requires 4 people to assemble  
(2 people hold the large cabinet  
in place and 2 people tilt the bed  
until accessories are in place)

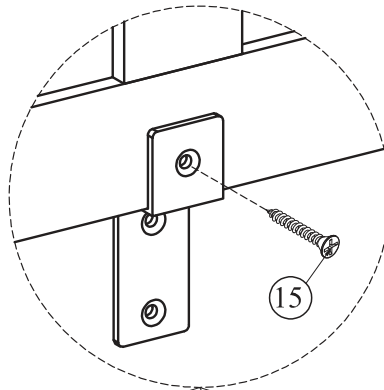


Nécessite 4 personnes pour l'assemblage  
(2 personnes tiennent le grand meuble  
en place et 2 personnes inclinent le lit  
jusqu'à ce que les accessoires soient en  
place)

15

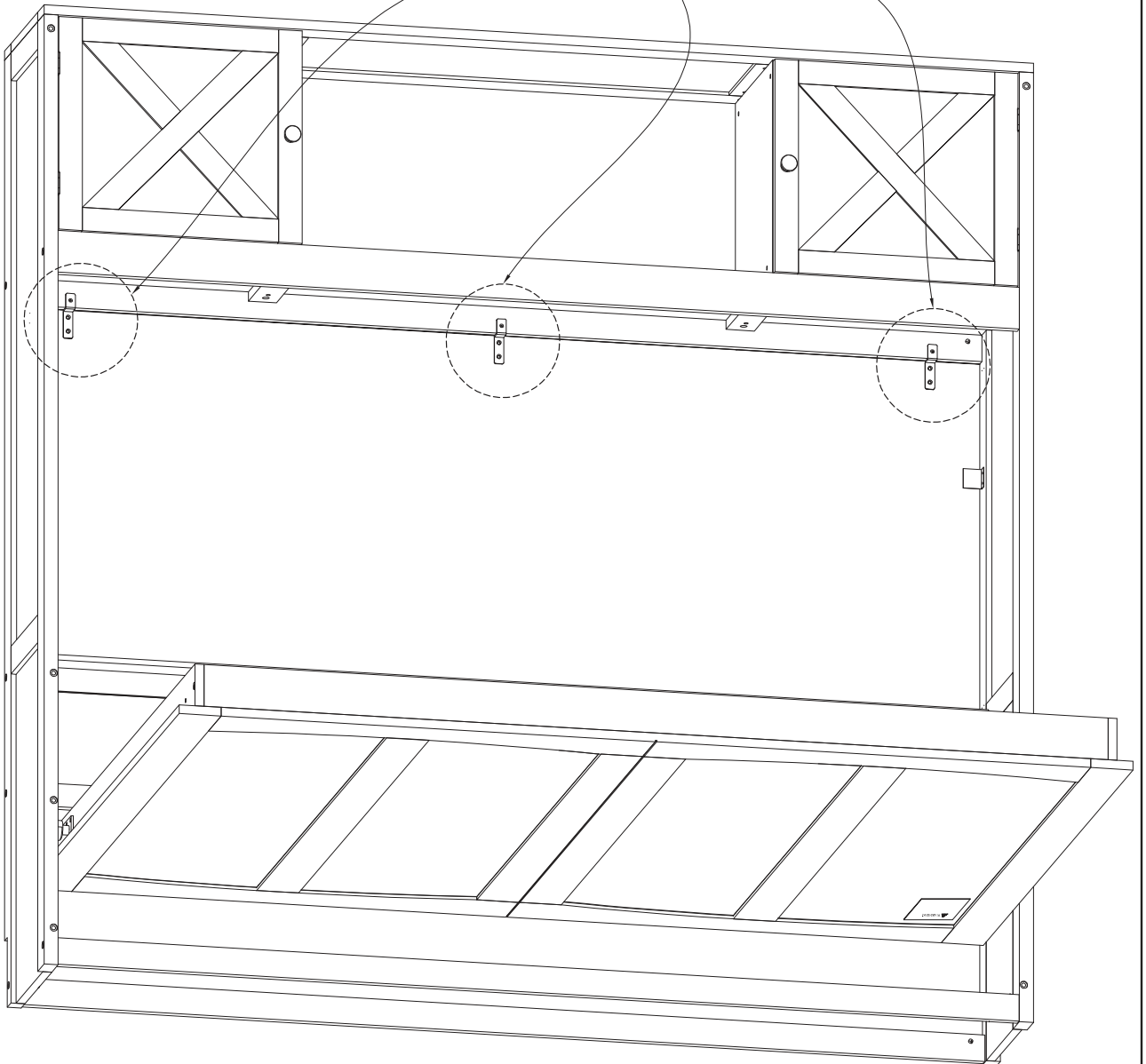


3(pcs)



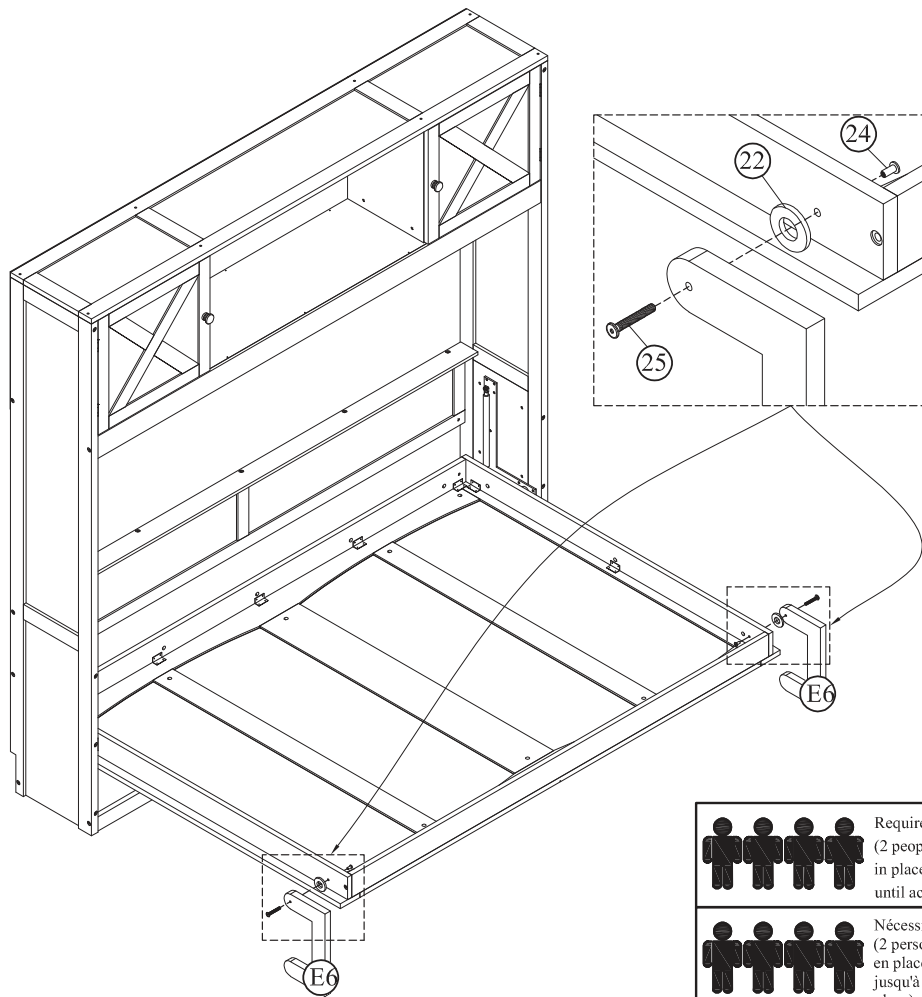
Installation video  
Vidéo d'installation

### OPTION 2:



# STEP 34:

# Étape 34:



22



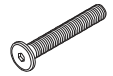
2(pcs)

24



2(pcs)

25



2(pcs)



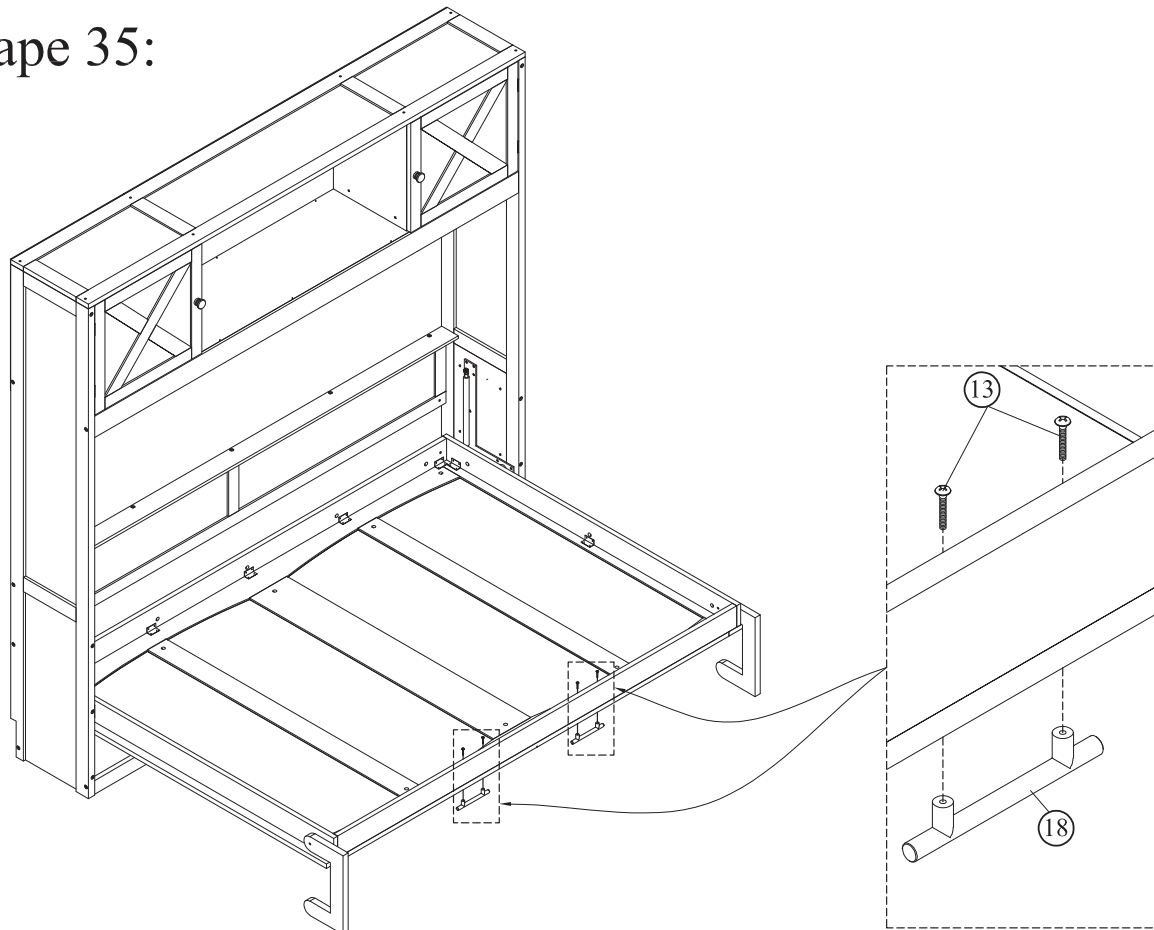
Requires 4 people to assemble  
(2 people hold the large cabinet  
in place and 2 people tilt the bed  
until accessories are in place)



Nécessite 4 personnes pour l'assemblage  
(2 personnes tiennent le grand meuble  
en place et 2 personnes inclinent le lit  
jusqu'à ce que les accessoires soient en  
place)

# STEP 35:

# Étape 35:

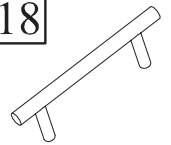


13



4(pcs)

18

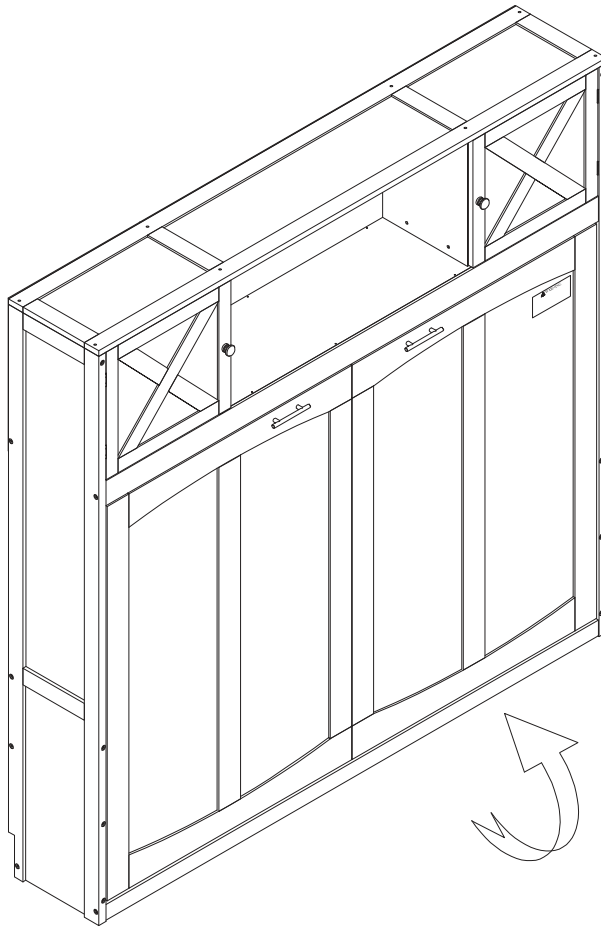


2(pcs)



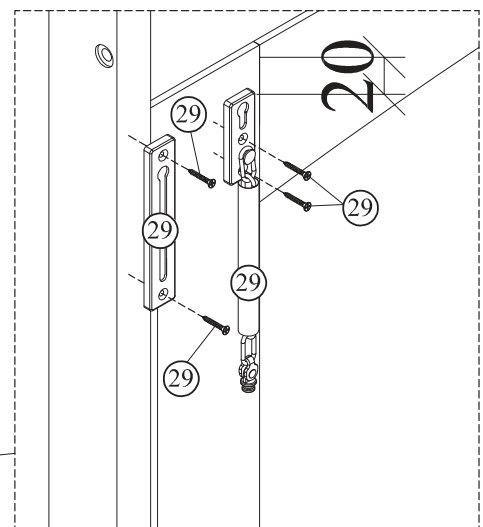
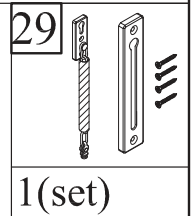
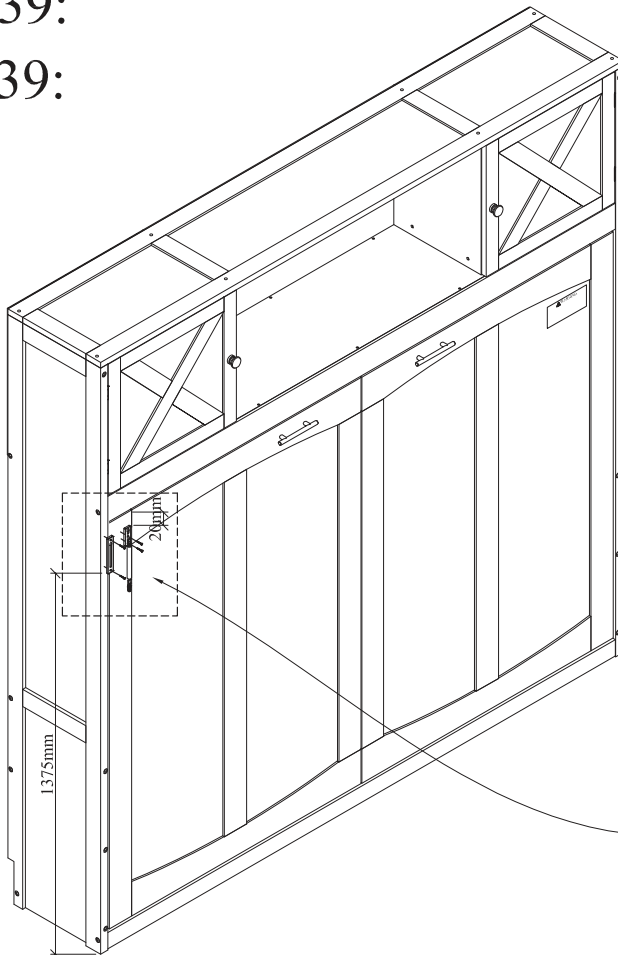
STEP 38:

Étape 38:



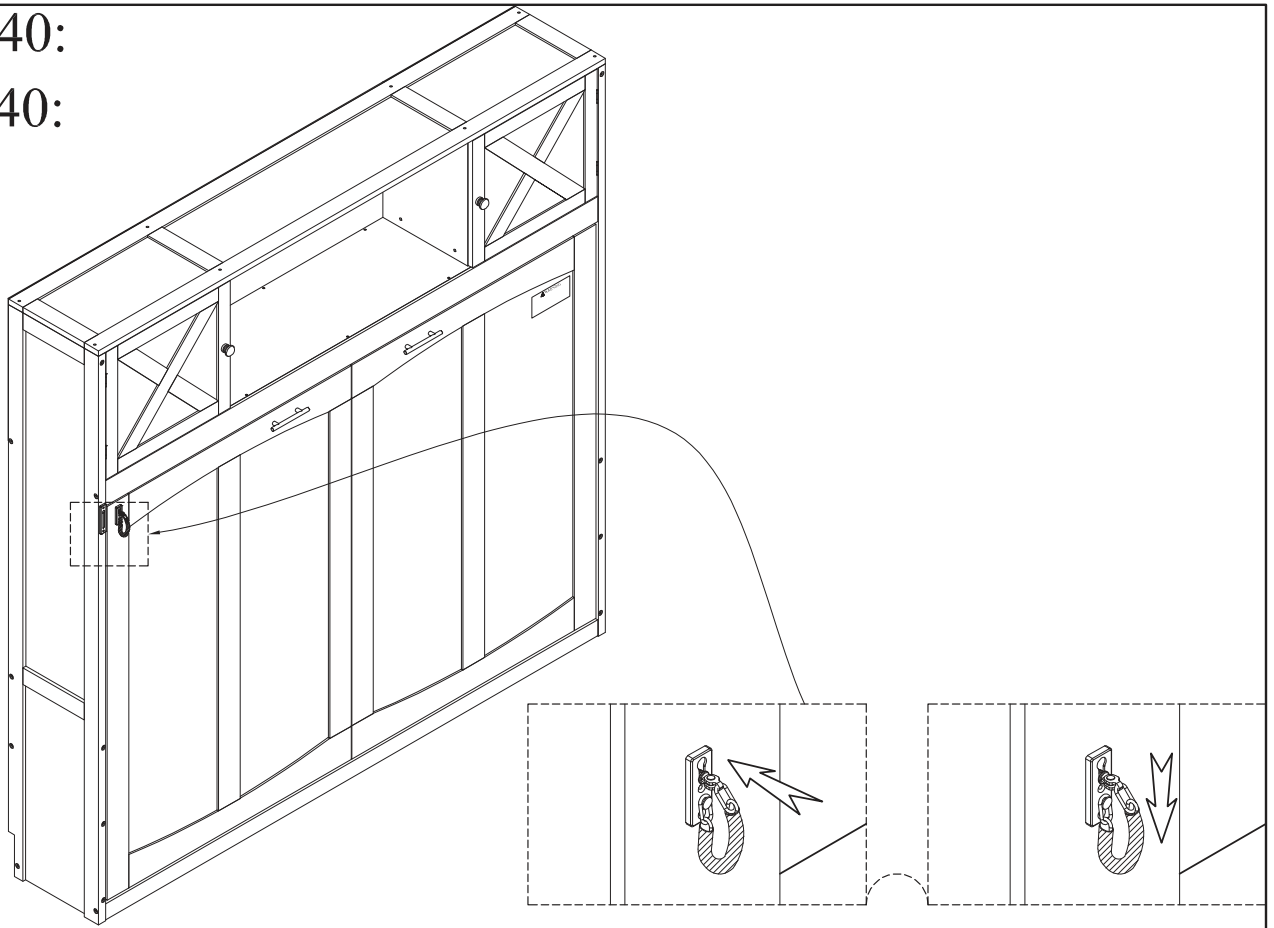
STEP 39:

Étape 39:

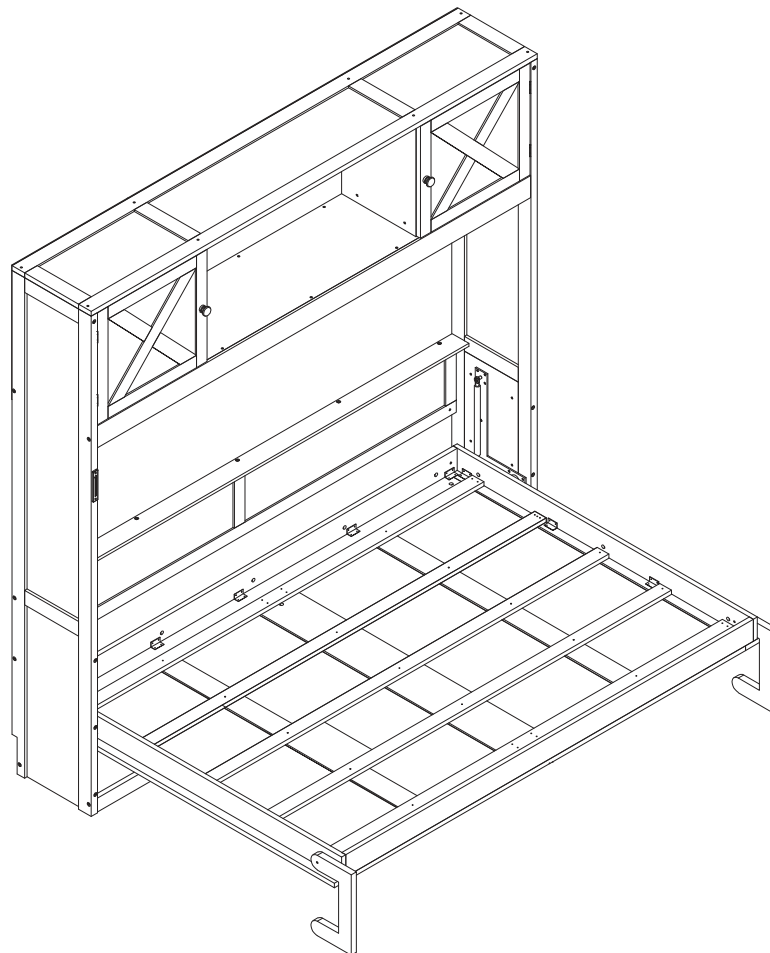


STEP 40:

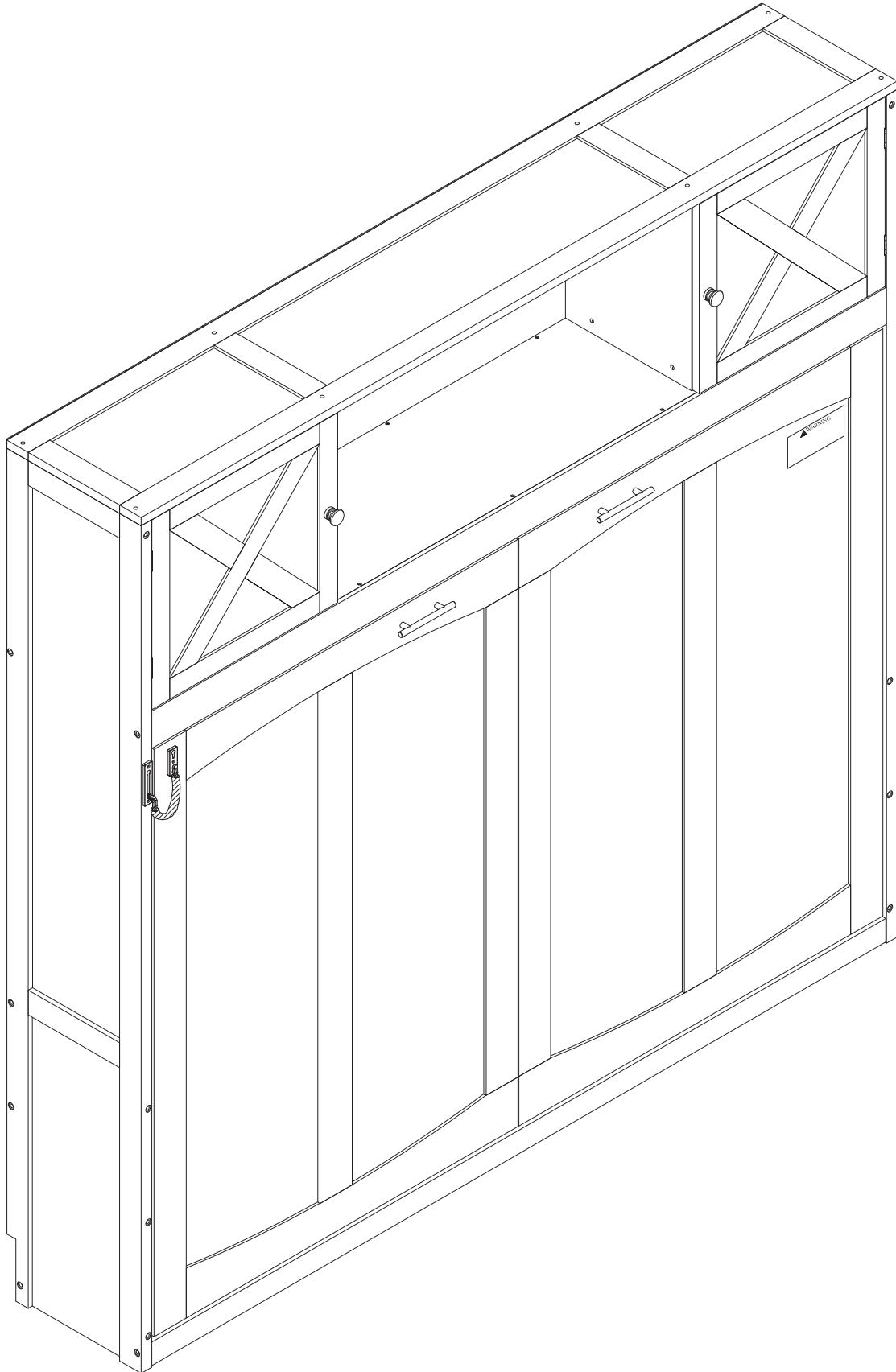
Étape 40:



FINISH : OPTION 1

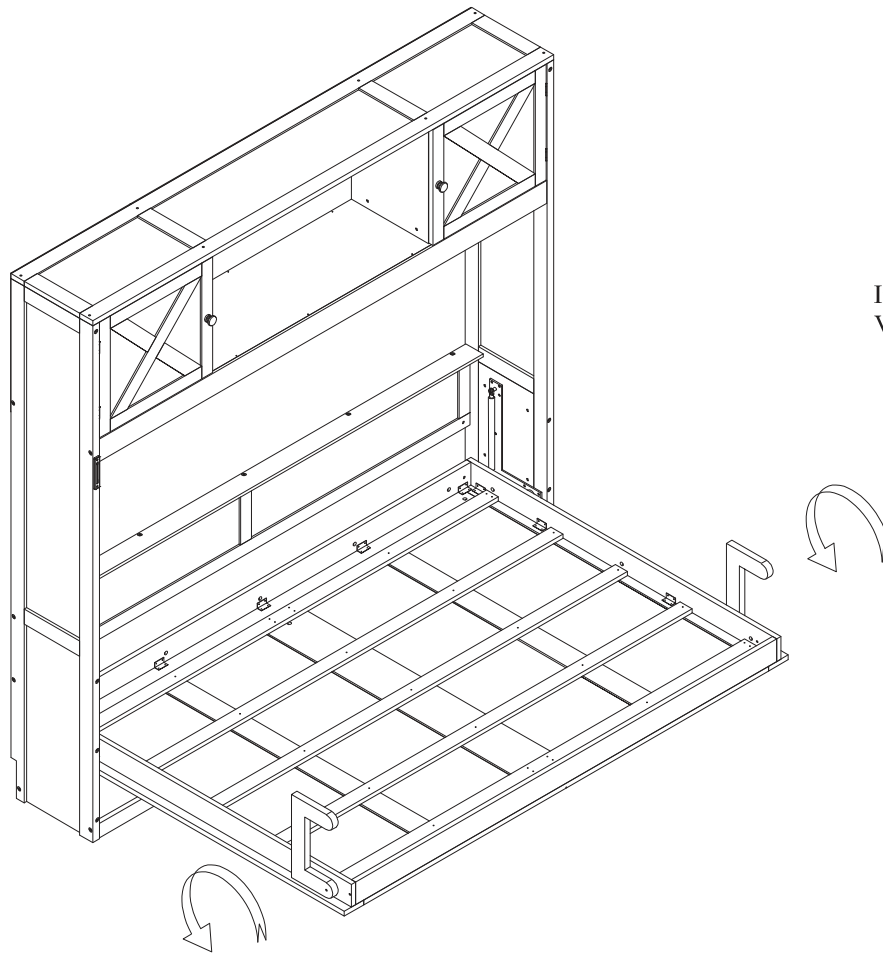


OPTION 2 :



**STEP 1:**

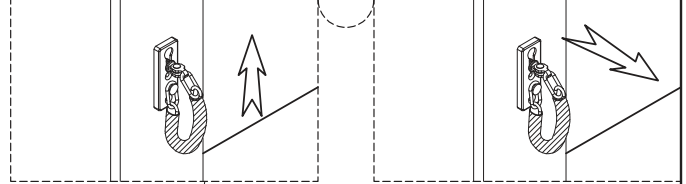
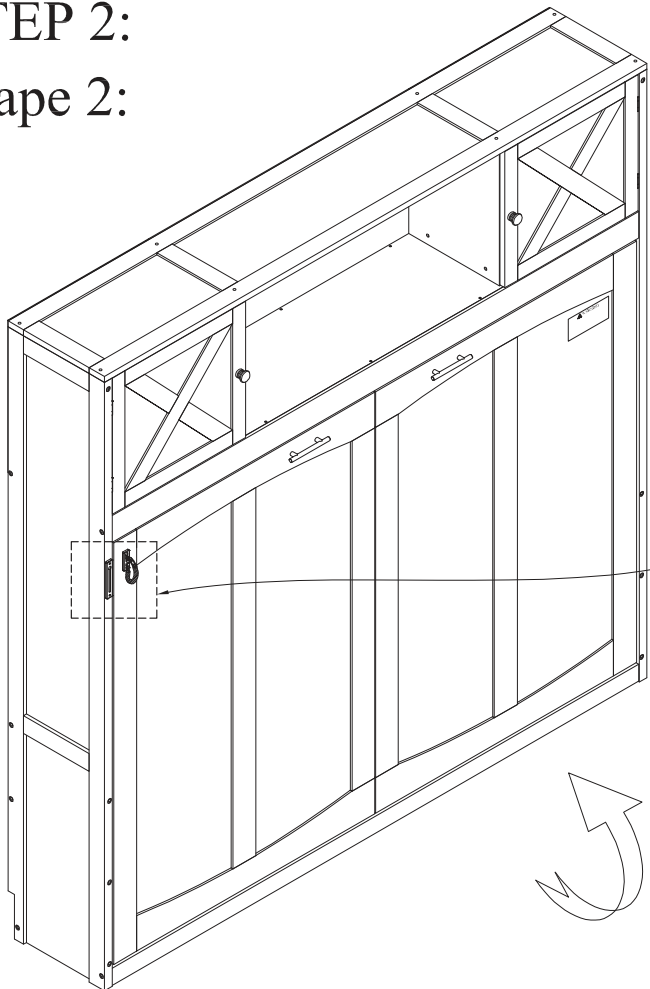
**Étape 1:**



Installation video  
Vidéo d'installation

**STEP 2:**

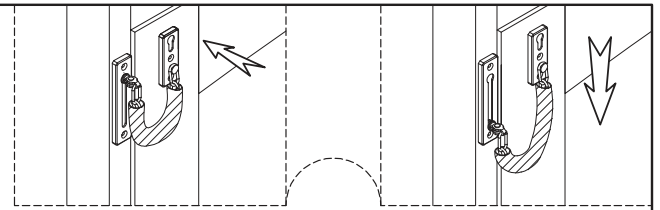
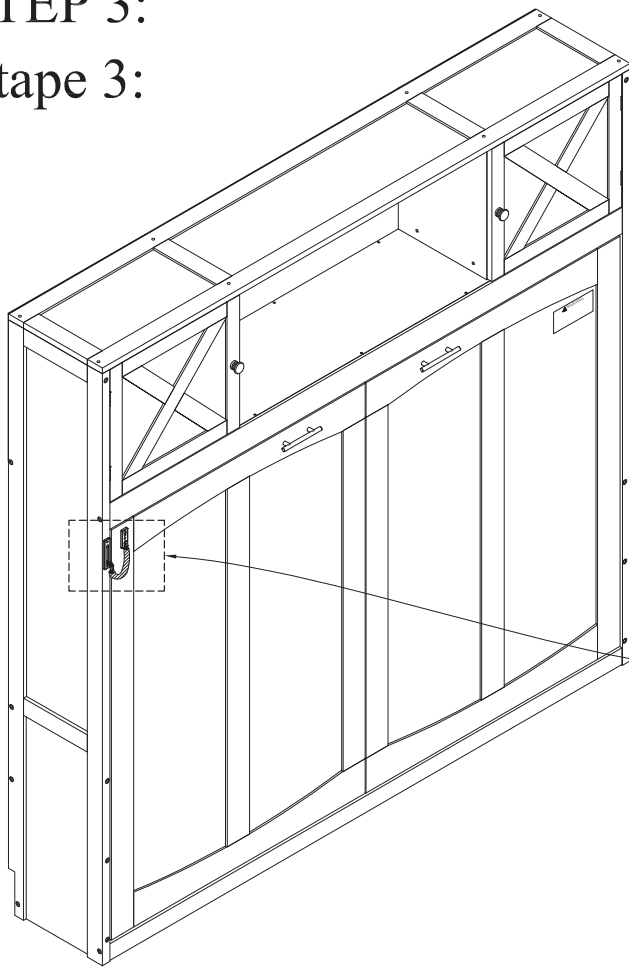
**Étape 2:**



Installation video  
Vidéo d'installation

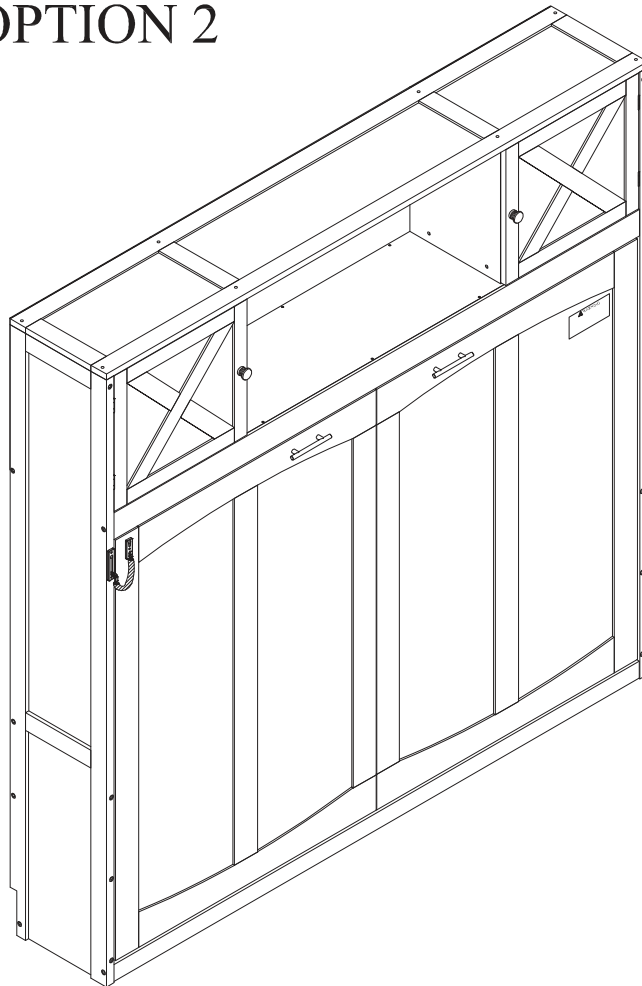
**STEP 3:**

**Étape 3:**



Installation video  
Vidéo d'installation

**FINISH : OPTION 2**



# **IMPORTANT INFORMATION PACKAGE.**

**THIS INFORMATION PACKAGE CONTAINS WARNING AND  
PRODUCT SAFETY INFORMATION. DO NOT PROCEED  
WITHOUT REVIEWING THOROUGHLY.**

## **A. MATTRESS PLACEMENT .**

Only after the Murphy Bed is FULLY SECURED to the wall, the 2 adult persons who are holding down the entire Murphy Bed, can now be released for this action.

Have 1 to 2 persons – place equal strengths to the handles and gently and securely, PULL DOWN the Bed Frame until the Bed Frame is horizontally and level to the ground.

Have the other 2 persons – carry and place the Mattress (**within the recommended weight and thickness**) and gently place the Mattress on to the Bed Frame.

## **B. WARNING LABELS.**

**Your purchased Murphy Bed is delivered to you with WARNING LABELS to constantly remind you to take and adopt Safety Measure throughout the entire assembly and mounting points of the Bed to the walls.**

### **DO NOT REMOVE these labels.**

These Warning Labels serve as a Reminder Tool for visiting friends and relatives when using the Murphy Bed to ensure Safety Precautions are taken.



## WARNING.

### IMPORTANT SAFETY REQUIREMENTS - Bed Attachment to Wall. For Your Safety, the Murphy Bed MUST BE ATTACHED to the Wall.

Seek Certified Professional Consultant / Contractors for their Services to:

- 1.) DETERMINE the WALL Type in Your Home;
- 2.) PRECISE HARDWARE that suits to the Wall Type in Your Home;
- 3.) INSTALL / ATTACH of the Murphy Bed to the Wall in Your Home;
- 4.) VALIDATE the Murphy Bed is appropriately and securely installed/attached.

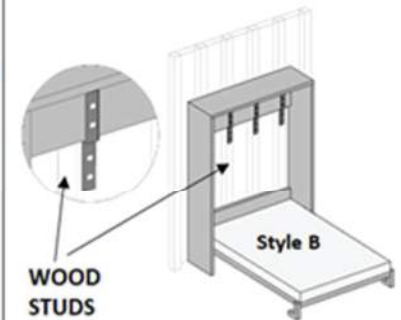
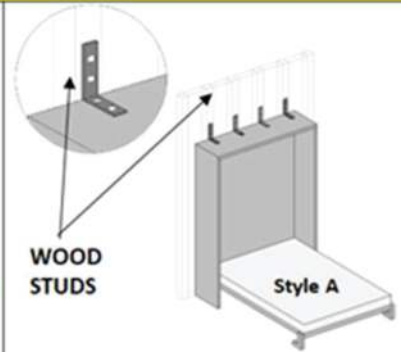
The choice of wall anchoring hardware depends on the type of wall. This Murphy Bed is delivered with HARDWARE SCREWS suited for attachment to WOOD STUDS in walls. Any STUDS type detected with your Consultant-Contractors to be **NOT WOOD STUDS - DISCARD and DO NOT USE these SCREWS.** Use the hardware suitable for your wall material.

Seek the professional advice of your Consultant-Contractor and procure the appropriate hardware and brackets for the attachment of the Murphy Bed to the Wall.

**FAILURE TO ADHERE TO THE ABOVE INSTRUCTIONS MAY RESULT IN SERIOUS and/or SEVERE INJURIES or Death caused by the detachment of the Murphy Bed from the Wall.**

#### SAFETY PRECAUTION :

- 1.) **MAXIMUM Mattress Weight** suited to your Murphy Bed : 44 lbs ( 20 kg);  
**MAXIMUM mattress thickness:** 5-8 inches ( 12.7- 20.3 cm);
- 2.) **ENSURE ADULTS ONLY** throughout the entire assembly and attachment.
- 3.) **KEEP ALL Children, Non-Ambulatory persons and Pets** at bay during the entire assembly and attachment.

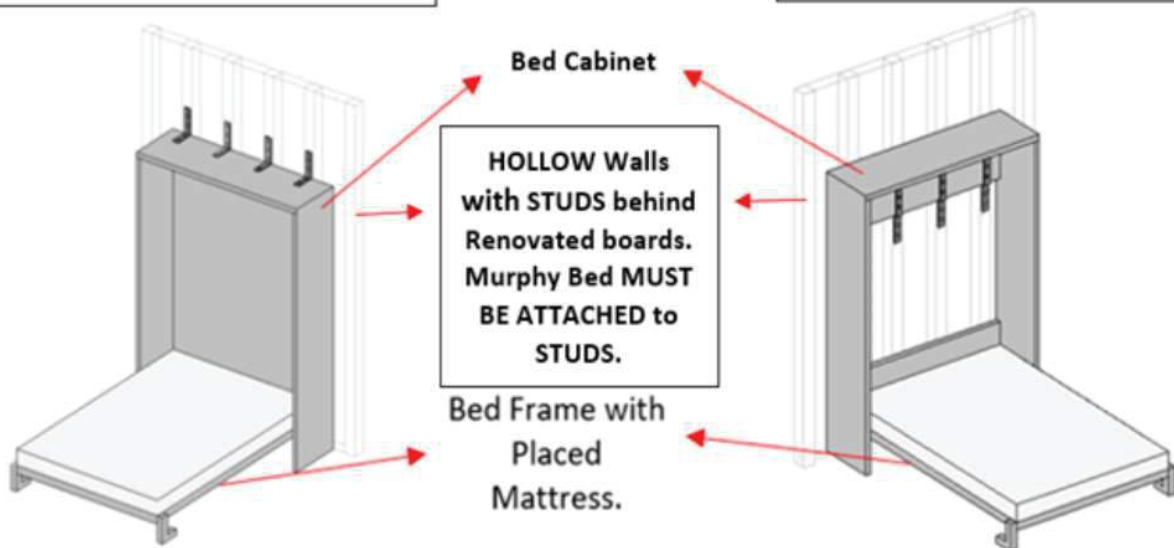


LINE ART for Reference only and NOT DRAWN TO SCALE.

**CAUTION :** Homes are renovated differently. There are CONCRETE walls and "hollow walls". Hollow walls are reinforced with STUDS of Wooden or Steel Materials. Seek advice from professionals.

Style A - VERTICAL Murphy Bed with SEALED/CLOSED Back board.

Style B - VERTICAL Murphy Bed with OPEN STYLE Back board.



## **C. SAFETY REMINDERS.**

### **MARKINGS in WALL – WHERE TO ATTACH the MURPHY BED.**

Irrespective of the wall type, whether Solid Concrete Walls OR Decorative Walls with WOODEN Studs OR Decorative Walls with Metal Studs, ensure that

- a. ) you choose a professional installer who has a good understanding of the wall structure where the Murphy Bed is anchored, including the position of the wall studs and structural components in the case of a wood or metal structure.
- b. ) precise markings of the positions of the anchor points are to be made on the wall for easy identification during the Murphy Bed attachment to the wall.
- c. ) the relevant and appropriate Hardware with Metal Brackets are READY for this attachment and are within easy access for prompt and efficient attachment.

### **This product requires Professional Consultation and Installation\*.**

\* When you choose the professional installer, make sure to comply with all applicable laws, regulations and rules in the city, state or country where the Murphy Bed is installed.

To have your Murphy Bed fully assembled and to achieve its intended functionality – you **MUST READ** through this entire Assembly Instructions Manual before you start the assembly of the bed

1. ) **There are numerous Safety Issues and Safety Precautionary Actions that you MUST KNOW before you start the Assembly.**
2. ) **CAUTION - Failure to FOLLOW / ADHERE to the GUIDE, WARNING AND REMINDERS here, may result in serious / severe injuries or death.**
3. ) **PRECAUTION : For the assembly, Adult Partners only, to assist in the entire assembly. Ensure 4 (four) to 6 ( six ) ABLE BODIED PERSONS ONLY in the entire assembly and attachment of this Murphy Bed to the walls of your home.**
4. ) **CAUTION : During the entire assembly process and attachment of the Murphy Bed to the walls of your home, Keep ALL Children, Non-Ambulatory Persons and Pets completely at bay.**
6. ) **SAFETY REMINDER on / to : Personal, Family Members and Pets.** The Murphy Bed may be shipped to you in 3 to 5 packages and are **HEAVY**. Each carton holds many parts and components. Some of these components eg., bolts and screws are relatively small\* in size.

\*. During the assembly process, ensure that any misplaced bolts and nuts are picked up so that Children and or Pets do not play or ingest these.

7.) **This Murphy Bed is intended for ADULT USE ONLY.**

8.) **This Murphy Bed is delivered to you pre-packed with Hardware - suitable for wood-framed walls renovated with WOOD STUDS ONLY.**

9.) **Your Home's Wall Type** - Every home is renovated differently with different wall(s) type / finishes. Before you proceed to assemble your Murphy Bed :

- a. ) **SEEK and CONSULT Professional Services** to ascertain the wall type in the designated location where you intend to attach the Murphy Bed;
- b. ) **ENSURE** the Consultant-Contractor specifically **INFORMS** you of the **WALL TYPE** in the designated spot where you intend to attach the Murphy Bed.
- c. ) **ENSURE** the Consultant **INFORMS** you specifically on the matching and relevant Hardware / Brackets to secure and attach the Murphy Bed to the wall.

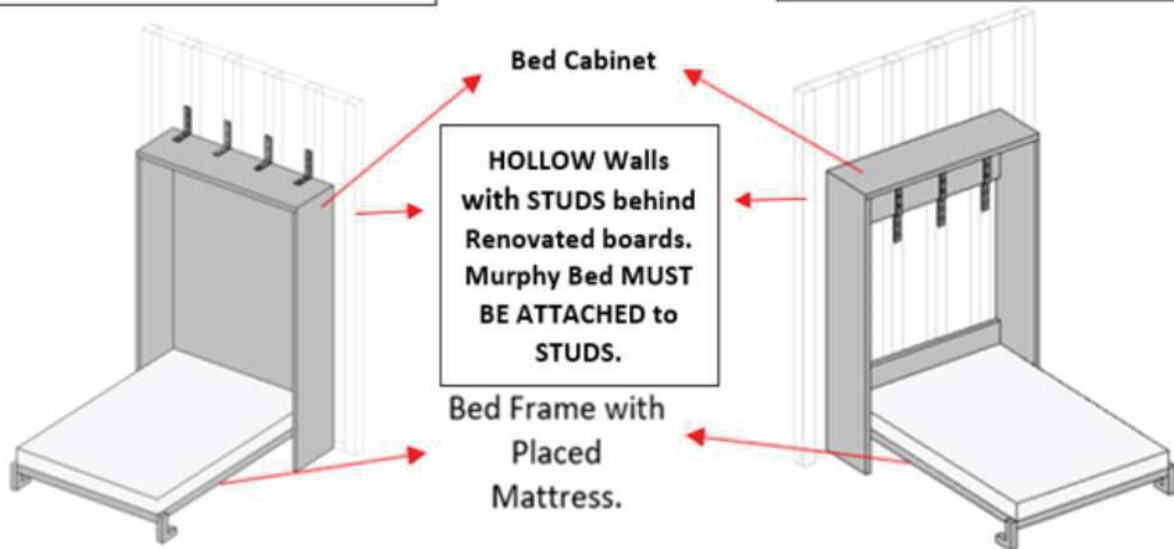
10.) **WARNING** – **YOU MUST HEED THE INSTRUCTIONS** given by your appointed Consultant-Contractor on the :

- a. ) Mounting Hardware Type that suits the wall(s) type - where / when it is NOT WOOD STUDS, the **pre-packed Screws for Wood Stud Walls would not match/ not fit.**
- b. ) Number of Mounting Points for the Murphy Bed to the Wall.

**CAUTION : Homes are renovated differently. There are CONCRETE walls and "hollow walls". Hollow walls are reinforced with STUDS of Wooden or Steel Materials. Seek advice from professionals.**

**Style A - VERTICAL Murphy Bed with SEALED/CLOSED Back board.**

**Style B - VERTICAL Murphy Bed with OPEN STYLE Back board.**



11.) This Murphy Bed is designed for home use and not intended for commercial use.

12.) This Murphy Bed is not intended to be moved, modified, uninstalled or disassembled once professionally installed.

## **D. ) MOUNTING INFO & HARDWARE.**

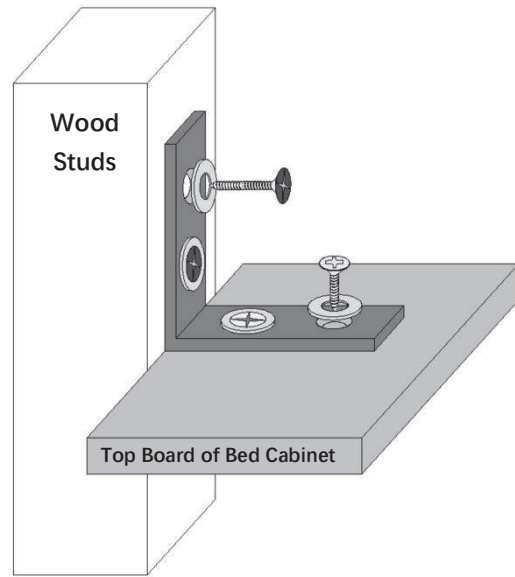
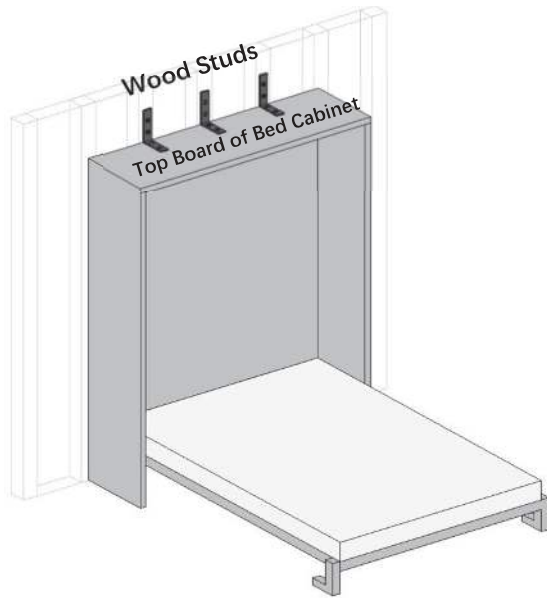
1.) **REMINDERS :**

- a. ) In the event, that this pre-packed Screws Set does not match to the walls in your home – **DO NOT USE / DISCARD** these hardware.
- b. ) **ADHERE** to the Professional Consultant-Contractor instructions and information on the **RELEVANT** mounting hardware that suits your wall.
- c. ) Procurement of these **RELEVANT** hardware is an arrangement made between your Consultant-Contractor and you.

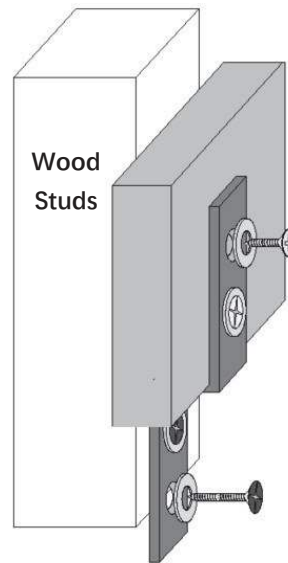
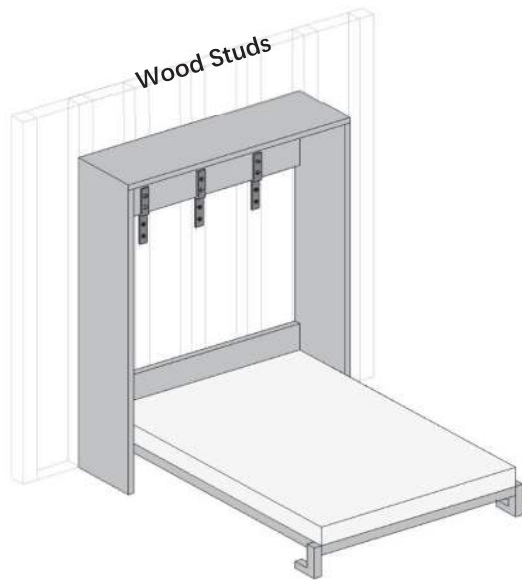
2.) A step ladder ( not provided ) is needed to attach the L-Brackets to the wall, at the Top of the Murphy Bed. **DO NOT** lean against the Top of the Murphy Bed, it may cause sagging.

## **Murphy Bed Style A**

## L-Bracket Fixture to Wood Studs



## Z-Bracket Fixture to Wood Studs



## E. ) IDENTIFICATION of TOOLS and

## **ATTACHMENT SKILL.**

The parts and components to assemble the Bed Frame are stated in the Assembly Instructions. Follow the instructions with attention.

For an efficient assembly, after opening the cartons shipped to you :

- a. ) open and layout all parts and components in sequence;
- b. ) account for every part, hardware and component;
- c. ) then lay out the parts close to each other;

Assemble and tighten each bolt / nut / screw up to 80% to allow for the Bed Frame and Bed Cabinet to be HELD together.

Upon FINAL assembly where all the parts and components are FITTED precisely, in a sequential manner – proceed to tighten each bolt & nut & screw gradually.

### **CAUTION :**

- 1.) **The METAL PLATES to the sides of the Side Rails – MUST BE FULLY and SECURELY TIED to the SIDE RAILS.**
- 2.) **The Piston L-Brackets that are attached to the INNER WALL of the Bed Cabinet – MUST BE FULLY and SECURELY TIED to these Inner Walls.**
- 3.) **These Metal Plates and the L-Brackets – are the components that are holding the Pistons that allow your Bed to “travel” to an OPEN or CLOSED position.**
- 4.) **Frequent Inspections of these Metal Plates / Brackets and Pistons Bolts, up to Once a Month – to ascertain these DO NOT BECOME LOOSE. For if these bolts to the Bed Frame and or Bed Cabinet or Pistons are loose, may cause the BED FRAME to become DISLODGED and cause injuries.**

**REMINDER : NEVER FULLY TIGHTEN any screw / nut or bolt in one session. If you DO TIGHTEN the hardware all the way into the core of the wood, this cause the parts to become skewed that would impact other parts of the item not being able to be aligned to its mounting points for assembly.**

## **F. ALL ASSEMBLY WORKS REQUIRES A TEAM OF NO LESS THAN 4 ADULTS.**

Reminder : Per above info, the cartons and products are heavy – therefore exercise CAUTION at all times and ENSURE YOUR TEAM OF 4 for the entire ASSEMBLY.

## **G. ASSEMBLY of BED FRAME.**

Identify all parts and components for the Bed Frame.  
Assemble the Bed Frame according to the Assembly Instructions.

Upon completion of assembly of the Bed Frame, make a final inspection that all joints and parts are fully and securely attached.

Then place this assembled Bed Frame horizontally flat on the ground, some 10feet away, so as to allow room for the assembly of the Bed Cabinet.

## **H. ) ASSEMBLY OF BED CABINET.**

Identify all parts and components for the Bed Cabinet.  
Assemble the Bed Cabinet according to the Assembly Instructions.

Upon the completion assembly of the Bed Cabinet, make a final inspection that all joints and parts are fully and securely attached.

CLEAR all debris in the area where your Murphy Bed is going to be attached to the wall.

Move this FULLY ASSEMBLED BED CABINET and position this BED CABINET some 2feet to 3 feet away from the designated Wall, where you have previously made markings.

**SAFETY REMINDER – The Cabinet is NOT ATTACHED TO THE WALL, YET. From here on - YOU MUST HAVE 2 ADULT to HOLD and STABILISE this BED CABINET, to prevent the Bed Cabinet from TIPPING OVER.**

## **I. ATTACHMENT OF BED FRAME TO BED CABINET.**

**Safety Reminder : DO ENSURE the 2 adult persons holding the Bed Cabinet is IN POSITION ALL THE TIME.**

**The other 2 adults shall lift and carry the Bed Frame and attach to the L-Bracket – at the inner walls of the Bed Cabinet.**

**Thereafter, gently LIFT THE Bed Frame to a CLOSED POSITION.**

## **J. ) ATTACHMENT OF PISTONS TO HOLD & SUPPORT BED CABINET TO BED FRAME.**

The Murphy Bed, is now still placed at 2feet to 3feet, from the wall.

The 2 adults, upon attachment the Bed Frame to the Bed Cabinet, shall get the Pistons, and move to the back of the Murphy Bed. Both persons shall - then attach the Pistons to the Bed Frame and Bed Cabinet.

You may need to – LIGHTLY slide forward-backward to adjust and create gap space so as to enable the Pistons to be hooked to both ends of the hanging bolts in the Inner Wall of the L-BRACKET

Fully Secure and Tighten these Bolts at each end of the Pistons.

### **K.) Attachment of Safety Latches.**

Upon completion of Step I above, ensure the entire structure of Bed Frame to Cabinet is fully and securely attached as ONE UNIT – affix the Safety Latches.

These Latches are to be reachable by Adults Only. Thus, the minimum height shall be no less than 5feet ( 1.5m ) from ground.

### **L.) POSITIONING THE MURPHY BED INTO ITS FINAL POSITION.**

At this juncture, the Murphy Bed is ASSEMBLED BUT NOT AS A FULL & COMPLETE piece of furniture AND NOT FUNCTIONAL AS A BED YET, as it is NOT SECURED TO THE WALL.

DO NOT ATTEMPT TO OPEN THE MURPHY BED AND OR TEST SLEEP AND OR LIE-INTO the Murphy Bed.

ALL 4 ( four ) adults shall now move the entire Murphy Bed to the FINAL DESIGNATED Position, matching to the previously marked “SCREW-IN” positions in the walls.

### **M. ) ATTACHMENT OF MURPHY BED TO WALL.**

With the Murphy Bed now in its final designated spot, 2 adult persons shall continue to hold down the entire Murphy Bed.

REMINDER : FOLLOW the INSTRUCTIONS from your Professional Consultant / Contractor.

**Position the Ladder ( where necessary ) and FULLY & SECURELY turn in the BOLTS or SCREWS into the CONCRETE WALL or WOODEN STUDS or STEEL STUDS.**

SEQ	Bed Description	Bed Size	Details.
1	Single/Twin(XL)	~38*75/80~ inches	Attach at least 2 pieces of L or Z Hardware onto the Wall or Studs;
2	Full	54*75inches	Install at least 3 pieces of L or Z Hardware onto the Wall or Studs;
3	Queen	60*80inches	Install at least 3 pieces of L or Z Hardware onto the Wall or Studs;
4	King	76*80inches	Install at least 4 pieces of L or Z Hardware onto the Wall or Studs;
5	Other Bed Size		Other Bed Sizes - seek advice from your Contractor

**Recommended Mattress weight ( 44 )lb or ( 20 )kg / Recommended Mattress thickness ( 5-8 )in or ( 12.7-20.3 )cm** - Your Murphy Bed is made having taken into consideration the Bed Frame Weight and Mattress weight to pair with the Pistons Newton Force.

Therefore, load your bed with the RECOMMENDED MATTRESS Weights, Size and Thickness as stated here in the assembly instructions.

**DO NOT LOAD any heavier and or LARGER and or LIGHTER Mattress than what is recommended here.**

## **N) PISTON NEWTON-LOAD STRENGTH.**

You are hereby reminded that when the BED FRAME is EMPTY OF MATTRESS, the Bed Frame may NEED a STRONGER force to be pulled down before you can place the Mattress.

This RESISTANCE to be PULLED DOWN is a normal characteristics of the Pistons Newton-Load force is “in action”.

## **O.) BED STRAP – GUIDE STRAP**

Your Murphy Bed may or may not come equipped with a Bed Strap.

This Bed Strap serves as a GUIDE STRAP to help you lift the Bed Frame some 6 inches or so off its resting position. Then use both hands to FULLY LIFT HOIST the Bed Frame to its closing position.

### **SAFETY REMINDER :**

1. ) **DO NOT USE THE BED STRAP to PULL DOWN TO OPEN the BED FRAME from its CLOSED POSITION.**
2. ) **DO NOT USE THE BED STRAP to PULL-LIFT-HOIST the BED FRAME from the OPENED-HORIZONTAL position, to the CLOSED POSITION.**

Both the above may cause injury and or unnecessary strain to your arm(s).

## **P.) USING YOUR MURPHY BED.**

For EVERY USE – exercising Safety Precautionary Measures to ensure the safety of your family members and pets **are** IMPORTANT.

Therefore, PRIOR TO OPENING / PRIOR TO CLOSING OF YOUR MURPHY BED - Make sure all Children / Non Ambulatory Persons and Pets are at bay.

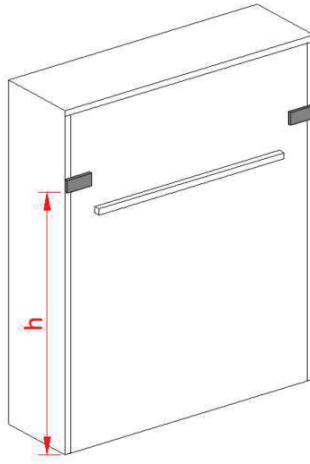
**KEEP CHILDREN and NON-AMBULATORY persons from Unlatching the Safety Latches.**

## **Q.) CAUTION : DO NOT BE DISTRACTED During EVERY OPENING and CLOSING of your Murphy Bed.**

Every time you Pull to **OPEN** the Murphy Bed from its closed position OR **Lift-Pull to CLOSE** the Murphy Bed to stow it into the Bed Cabinet -

- give these actions your focused and dedicated attention.
- **DURING EVERY OPENING and CLOSING of your Murphy Bed** - always ensure you have an Adult Partner close by for added assistance, where necessary.
- **DO NOT OVER EXERT ADDED FORCE to OPEN the Bed or to CLOSE the Bedframe.** For if you do, the resistance of the Piston will only make it harder for you to complete the task.
- **TO CLOSE the Murphy Bed** : depending on your height – stand some 6inches to 10inches away from the FootBoard edge. Use both your hands and place both hands at about equal distance from the middle of the Bed Frame, spaced at 2 to 3 feet between your hands - GENTLY LIFT-PULL to Close your Murphy Bed.
- **TO OPEN the Murphy Bed** : using equal force – **place your hands to the installed grab handle** and GENTLY PULL towards you to Open. **As you pull Open the Murphy Bed – proceed to move backwards, slowly and steadily, so as to give way to the Murphy Bed’s OPEN Position.**
- During **EVERY OPENING or CLOSING** of the Murphy Bed - at about your hip level - you may find that you need to rotate your hand / wrist - take caution here to prevent injury.
- During EVERY OPENING and CLOSING, keep Children and Pets and Non Ambulatory Persons at bay.
- **NEVER** allow your children to treat this Murphy Bed as a Hide and Seek place of fun or jump on the bed.
- **Care & Maintenance** - Depending on the frequency of use of your Murphy Bed, it is recommended that you take precautionary Care and Maintenance. It is advisable to conduct NO LESS THAN 2 to 3 checks annually on these mounting points & pistons to ensure that these are securely bolted. Where necessary, use a vacuum cleaner to clear all dust and then wipe down with a damp cloth, then proceed with your maintenance work.

**Safety Latches** - Your Murphy Bed comes with two (2) Safety Latches. These are to be attached at, both the TOP LEFT and TOP RIGHT hand upper portion, **minimum of 5 feet ( 1.5m) from ground,** of the Bed Frame / Bed Cabinet. Monitor and Inspect these frequently.



- Whenever NOT in use and after the Murphy Bed has been LIFTED and stowed in its **CLOSED POSITION - ALWAYS LATCH UP.**

## **Frequently Asked Questions.** **Malfunctioned Pistons.**

**How do you know when the Murphy Bed's Piston has malfunctioned?**

**It would be quite evident in that :**

- a. ) the Bed Frame may become LOPSIDED and**
- b. ) the Lift-PULL force to CLOSE may be "heavier" than before.**

**IMMEDIATELY - STOP USING YOUR MURPHY BED.**

**SEEK and CONSULT professional maintenance service to ascertain the problem and repair and or have the pistons changed.**