

# *ASSEMBLY INSTRUCTIONS*



*BAR UNIT*

# ASSEMBLY INSTRUCTIONS

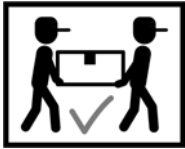
## ASSEMBLY TIPS:

1. Remove hardware from box and sort by size.
2. Please check to see that all hardware and parts are present prior to start of assembly.
3. Please follow attached instructions in the same sequence as numbered to assure fast & easy assembly.



## WARNING!

1. Don't attempt to repair or modify parts that are broken or defective. Please contact the store immediately.
2. This product is for home use only and not intended for commercial establishments.



ASSEMBLY TIME 50 MINUTES

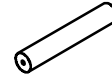
## PARTS IDENTIFICATION

A	TOP WOOD		1PC
B	SHELF GLASS		
C	BOTTOM WOOD		1PC
D	SIDE WOOD		1PC
E	CENTER SUPPORT BAR		2PCS
F	LARGE CROSSBAR		2PCS

# ASSEMBLY INSTRUCTIONS

## PARTS IDENTIFICATION

G BOTTOM CROSSBAR



1PC

H HANGER BRACKET



3PCS

I SMALL CROSSBAR



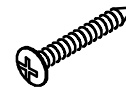
1PC

## HARDWARE IDENTIFICATION

1 CAM-LOCK  
( $\phi$ 15mm) 2PCS



8 LARGE SCREW  
(5.5 x 70mm) 2PCS



2 CAM-BOLT  
(38mm) 2PCS



9 WASHER  
( $\phi$ 50mm) 5PCS



3 WOOD DOWEL  
(10 x 50mm) 4PCS



10 SMALL WASHER  
( $\phi$ 19mm) 1PC



4 GLASS METAL  
(10mm) 4PCS



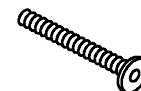
11 SMALL ALLEN BOLT  
(1/4" x 1" SR) 1PC



5 GLASS BOLT  
(8 x 8mm) 4PCS



12 ALLEN BOLT  
(5/16" x 76mm SR) 1PC



6 SMALL SCREW  
(7# x 15mm) 20PCS



13 FOOT PIN  
( $\phi$ 17mm) 5PCS



7 BOLT  
(5/16" x 2-1/2") 3PCS





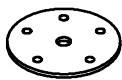



14 STICKER  
( $\phi$ 20mm) 2PCS



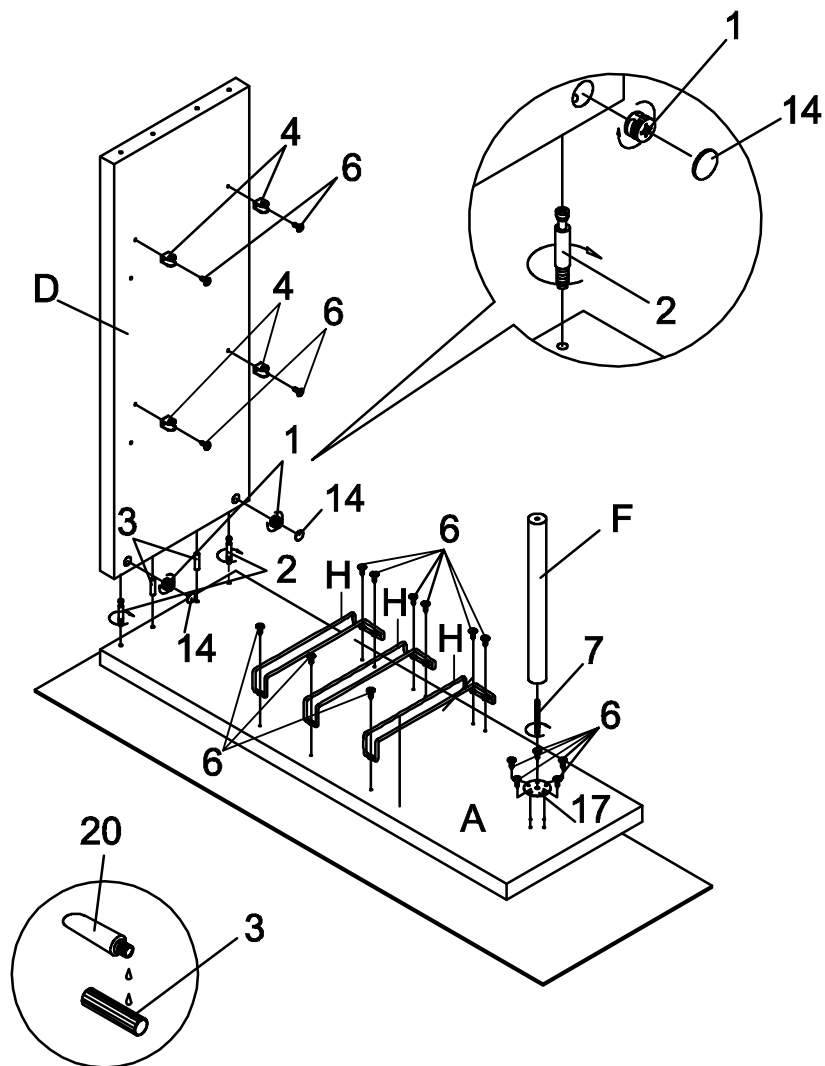
# ASSEMBLY INSTRUCTIONS

## HARDWARE IDENTIFICATION

15	ALLEN WRENCH (4mm,5mm)		1PC	18	SPRING WASHER (5/16")		1PC
16	LARGE WASHER (5/16")		1PC	19	LARGE ALLEN (1/4" x 235mm)		1PC
17	ROUND IRON ( $\phi$ 63mm)		1PC	20	GLUE		1PC

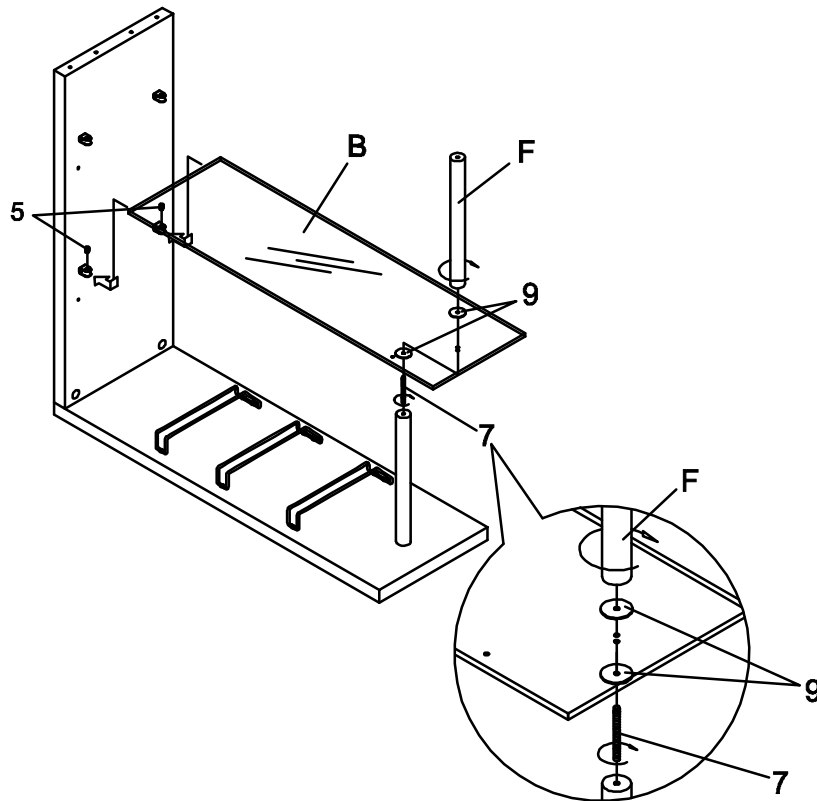
### STEP 1

Do not tighten until each step is completed or instructed.

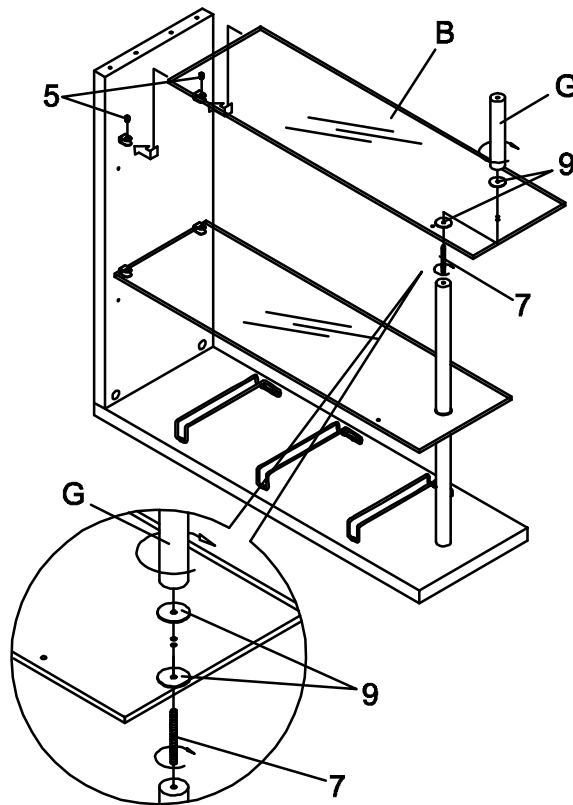


# ASSEMBLY INSTRUCTIONS

## STEP 2

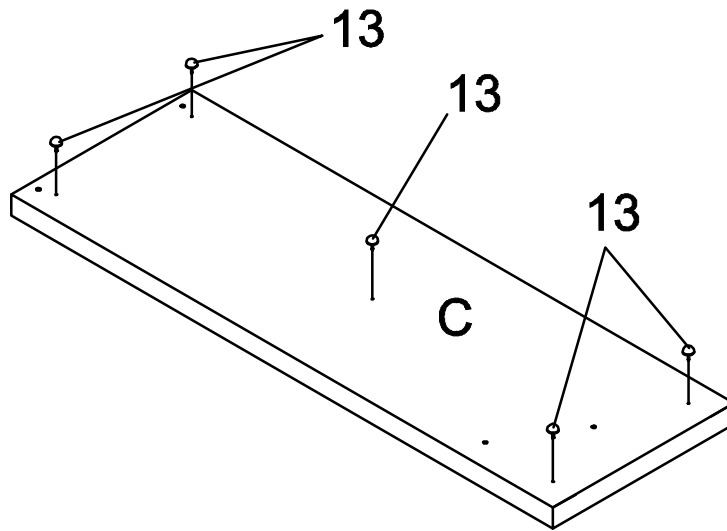


## STEP 3

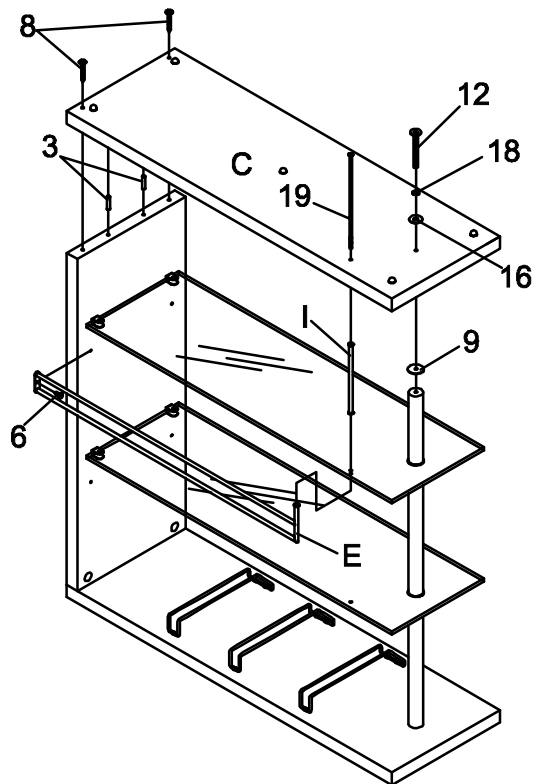


# ASSEMBLY INSTRUCTIONS

## STEP 4

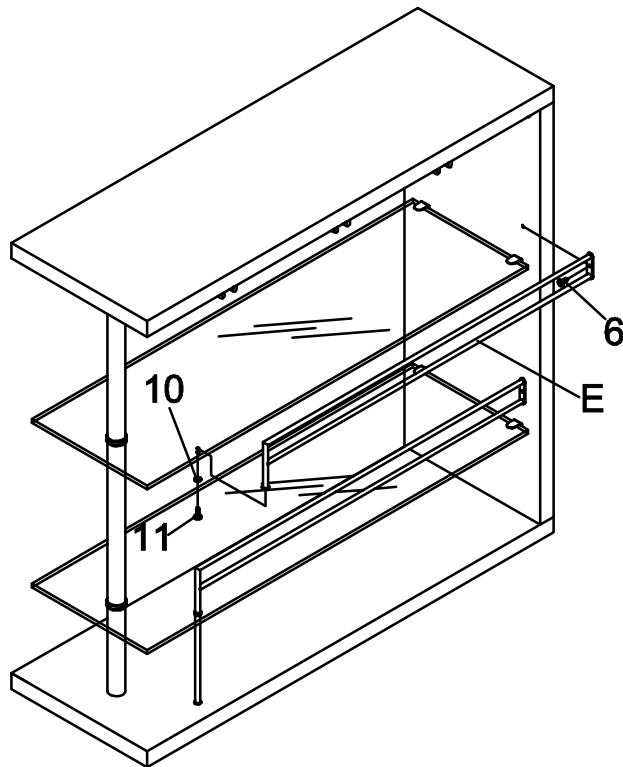


## STEP 5

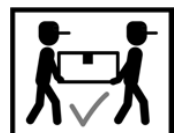
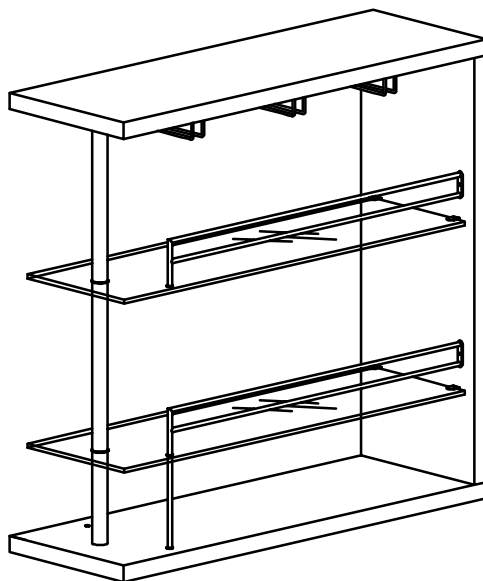
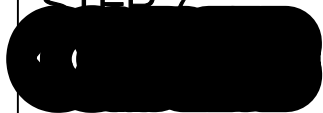


# ASSEMBLY INSTRUCTIONS

## STEP 6



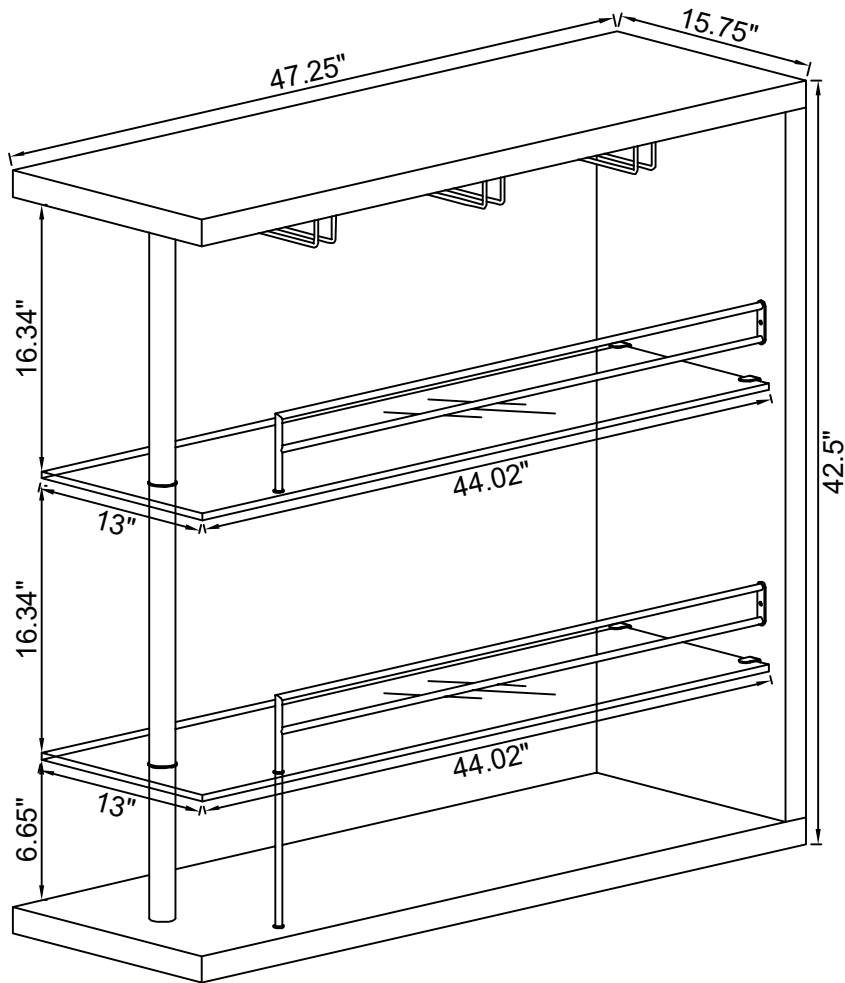
## STEP 7



# ASSEMBLY INSTRUCTIONS

**Product Size : 1200 X 400 X 1080 H (MM)**

**Product Size : 47  $\frac{1}{4}$ " X 15  $\frac{3}{4}$ " X 42  $\frac{1}{2}$ "**



Note : Dimension tolerance  $\pm 5\%$