

# ASSEMBLY INSTRUCTION DINING TABLE

A. 1PC

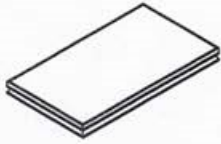
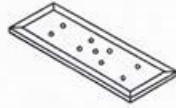


Table Top

B. 2PCS



Base

C. 4PCS



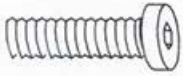
Leg

D. 1PC



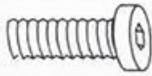
Tube

E. 16PCS



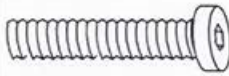
M8\*35  
Bolt

F. 8PCS



M8\*20  
Bolt

G. 2PCS



M8\*85  
Bolt

H. 26PCS



M8  
Flat Washer

I. 26PCS



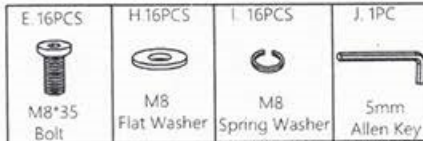
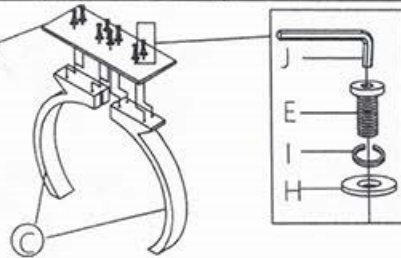
M8  
Spring Washer

J. 1 PC

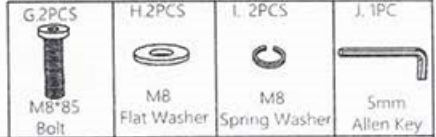
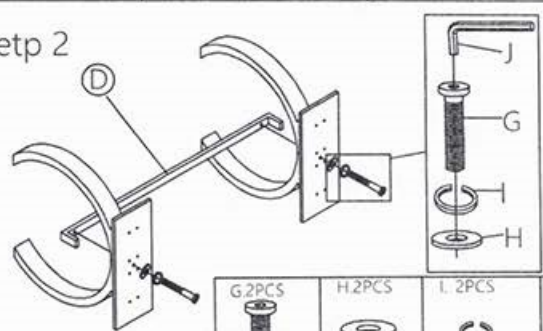


5mm  
Allen Key

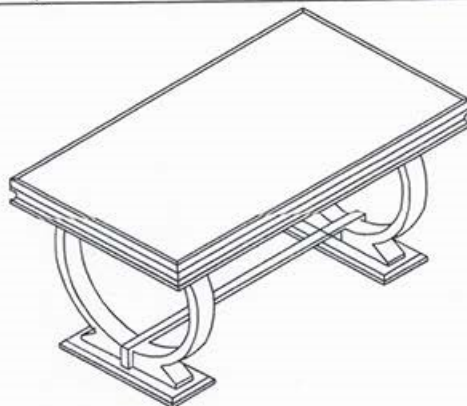
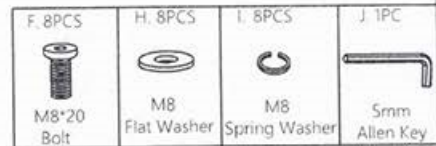
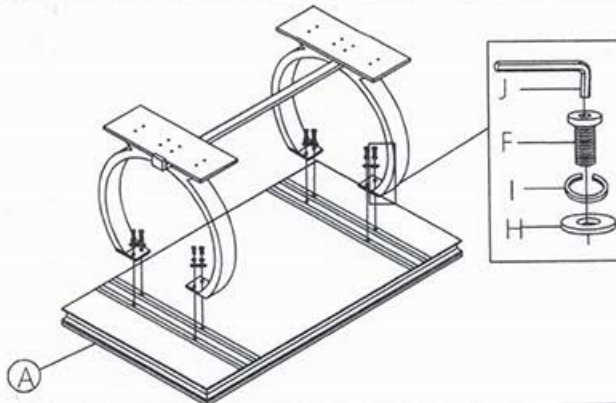
Setp 1 (B)



Setp 2



Setp 3



DO NOT TIGHTEN SCREWS UNTIL COMPLETELY ASSEMBLED!