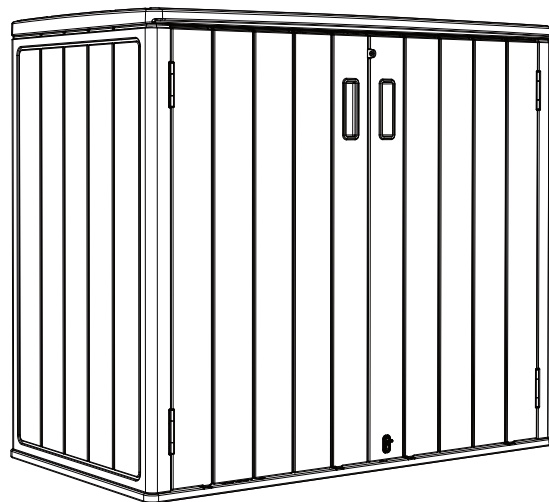
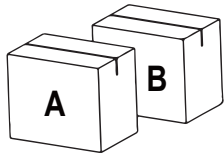


Horizontal Storage Shed Instruction Manual

Please make sure you have received all the packages before installing and choose the installation manual according to the storage sheds you ordered

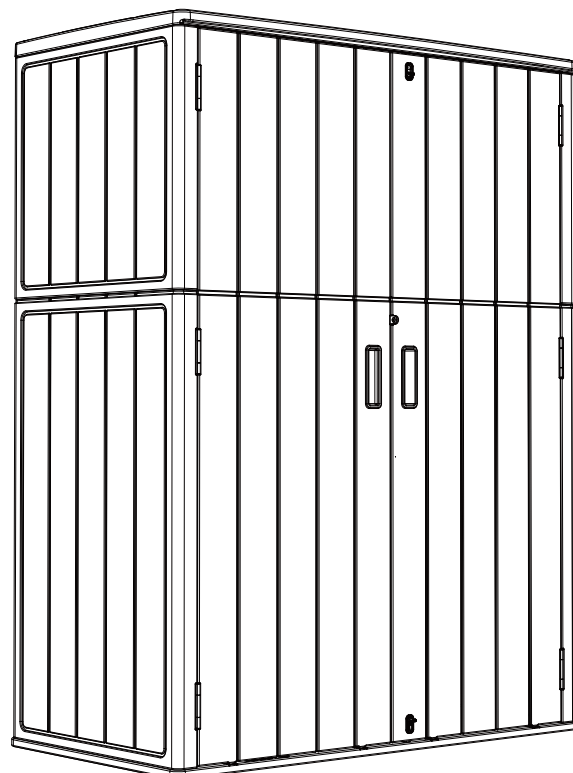
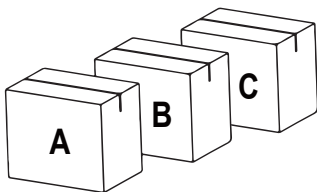
Horizontal storage shed includes
2 cartons(carton A and B)

Horizontal storage shed
instruction manual is
from page 5 to 10

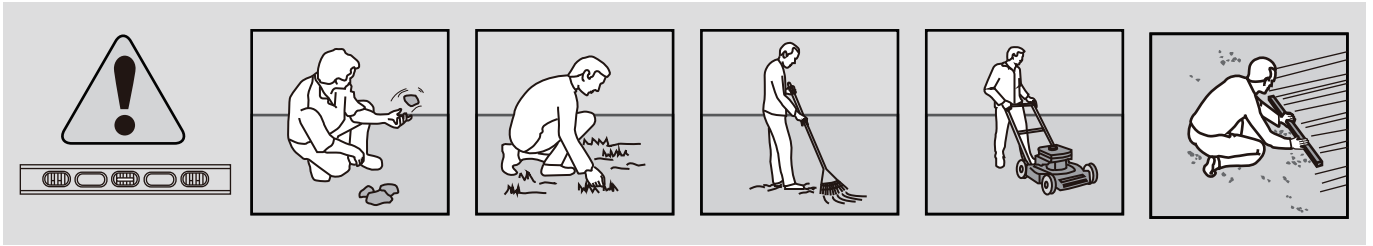


Vertical storage shed includes
3 cartons(carton A,B and C)

Vertical storage shed instruction
manual is from page 11 to 18



LEVEL THE GROUND SURFACE



Level the ground surface before unpacking parts and beginning.

REQUIRED TOOLS



Screwdriver

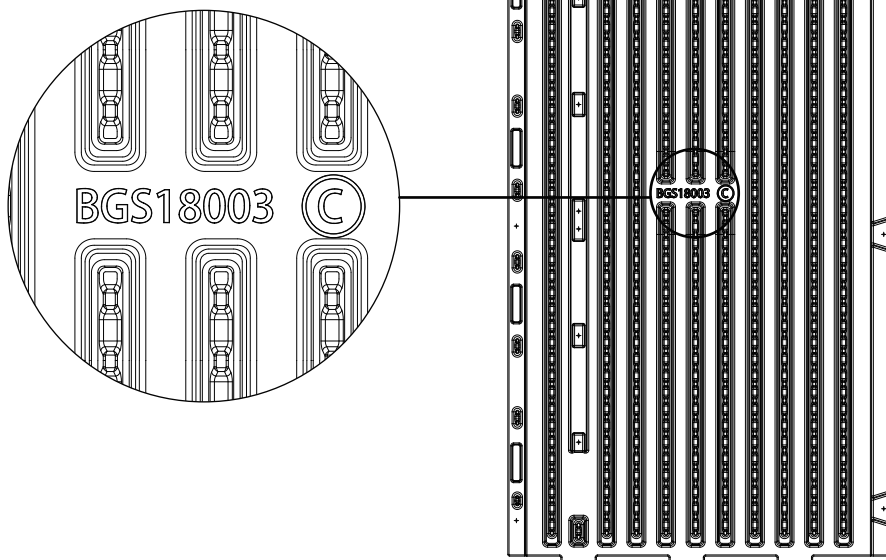


Electric drill
(Not included in the accessory pack)

Precautions

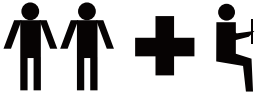
1. Please check the part lists before installation, you can contact with us if have any issues.
 2. Please install the storage shed as the instrction manual.
 3. The storage shed should be installed on flat surface.
 4. It suggests to install the storage shed with 2 or more people.
 5. It suggests to place the storage shed on flat ground.
-

PARTS NO. POSITION



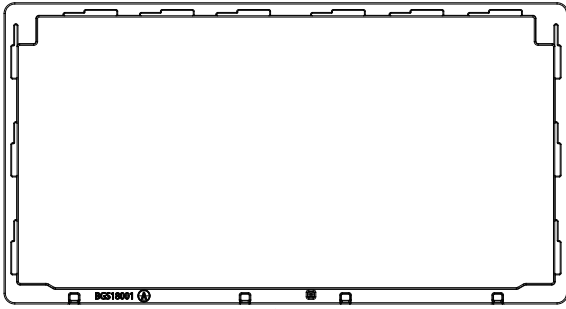


Please check the part lists before installation, you can contact with us if have any issues

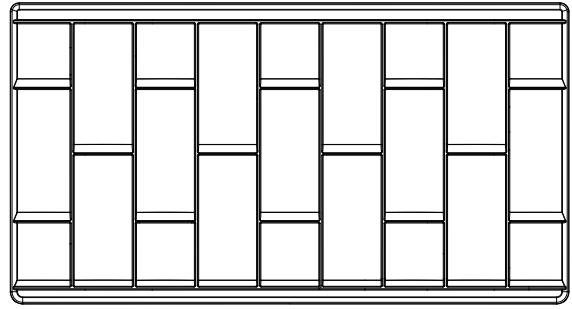


It needs 2 or more people to finish installation

A Carton Part Lists



A
Floor

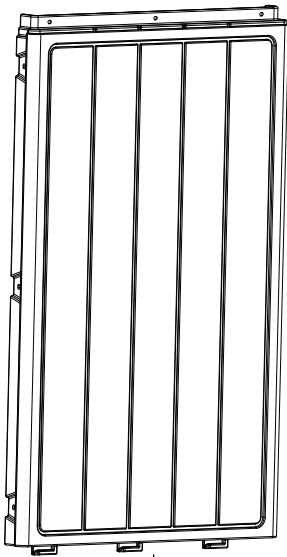


N
Roof

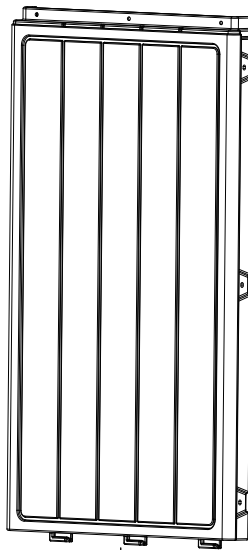


P
Blocking Strip

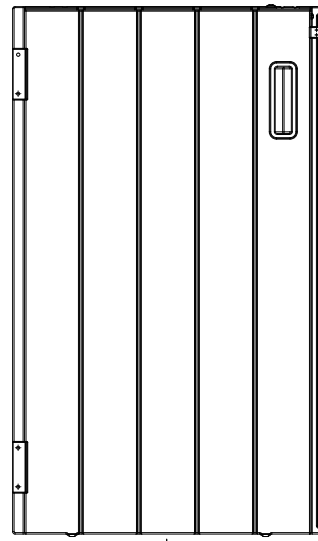
B Carton Part Lists



D
Left Side Panel

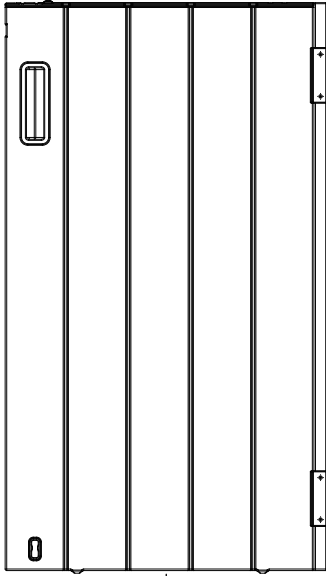


E
Right Side Panel

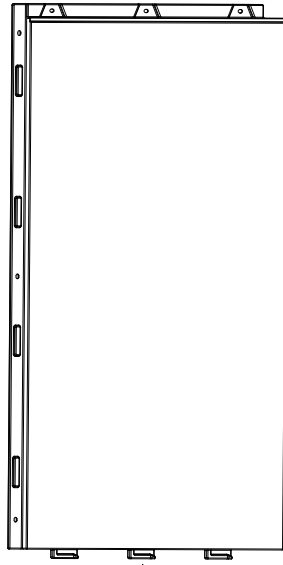


F
Left Door

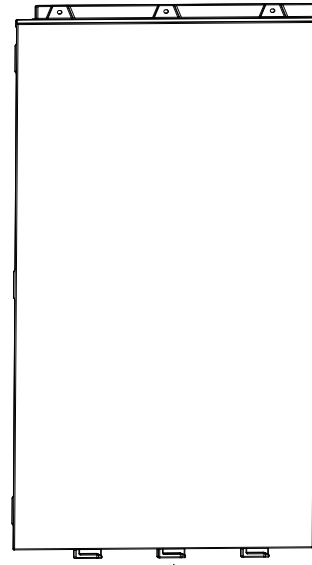
B Carton Part Lists



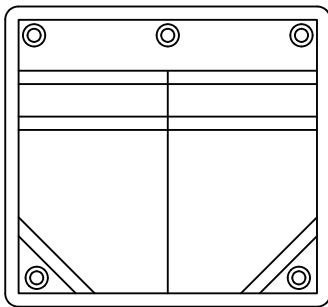
G
Right Door



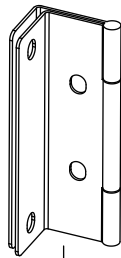
B
Left Back Panel



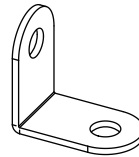
C
Right Back Panel



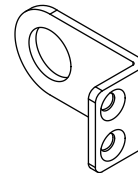
tool bag
1pc



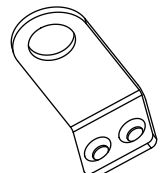
H1
Hinge
4pcs



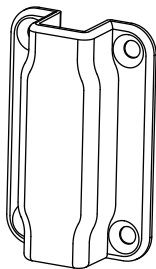
C2
Fixing Piece for Roof
8pcs
Spare X 1pc



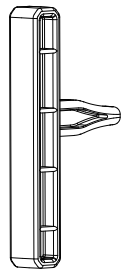
L4
Latch for
Right Door
1pc



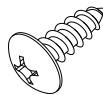
L5
Latch for
Left Door
1pc



L2
1pc



L3
1pc



S1
M5.5X18
46pcs
Spare X 3pcs



S2
M5X10
26pcs
Spare X 2pcs

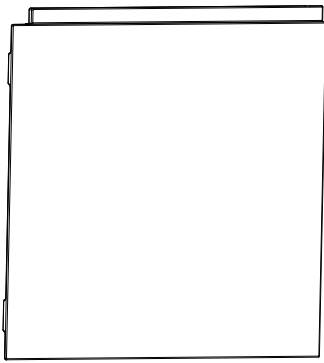


S3
M4X10
9pcs
Spare X 1pc

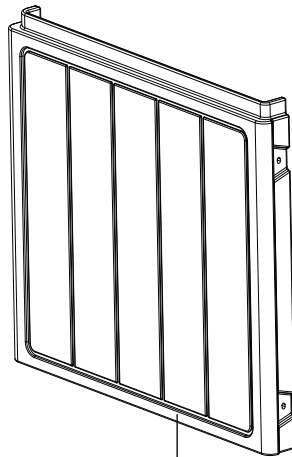


N1
M5
9pcs
Spare X 1pc

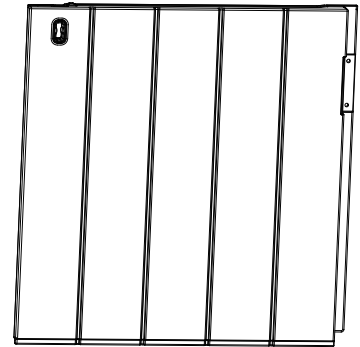
C Carton Part Lists



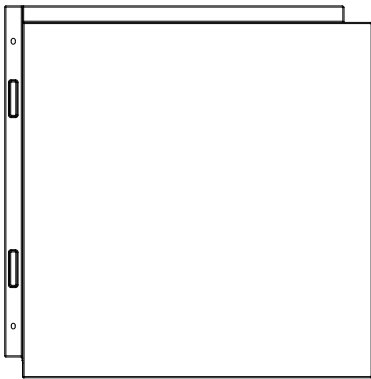
I
Right back panel(top)



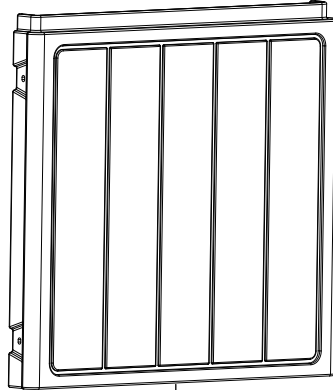
K
Right Side Panel(top)



M
Right Door(top)



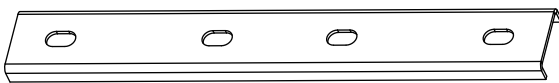
H
Left Back Panel(top)



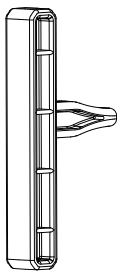
J
Left side panel(top)



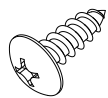
L
Left Door(top)



C1
Connection Bar
4pcs



L3
1pc



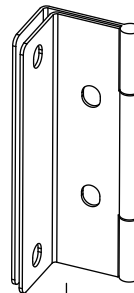
S1
M5.5X18
41pcs
Spare X 3pcs



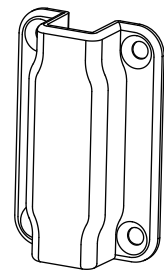
S2
M5X10
13pcs
Spare X 1pc



S3
M4X10
5pcs
Spare X 1pc



H1
Hinge
2pcs



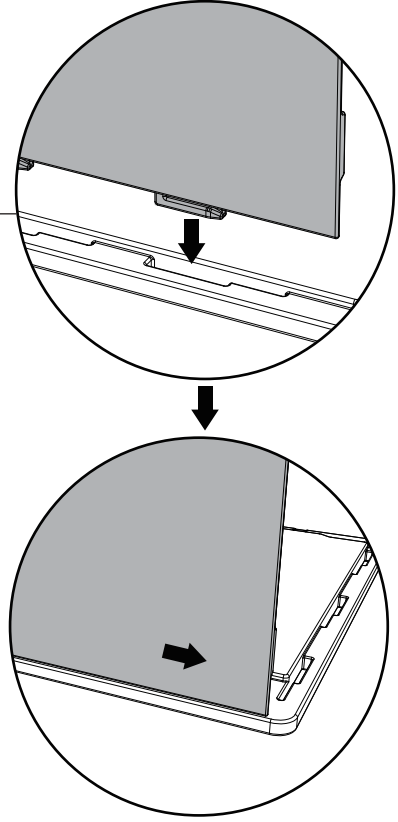
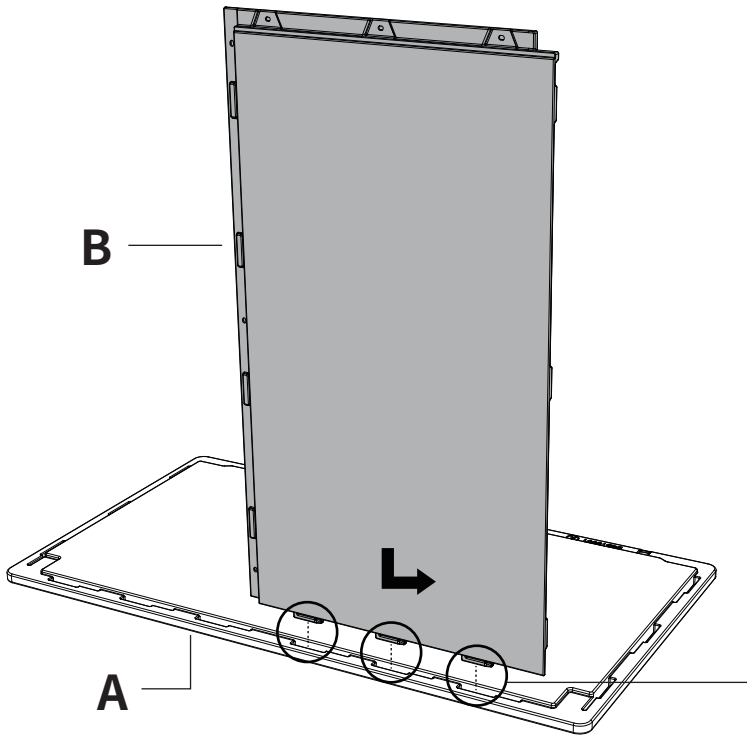
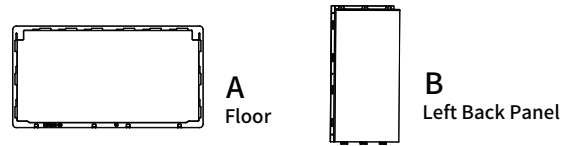
L2
1pc



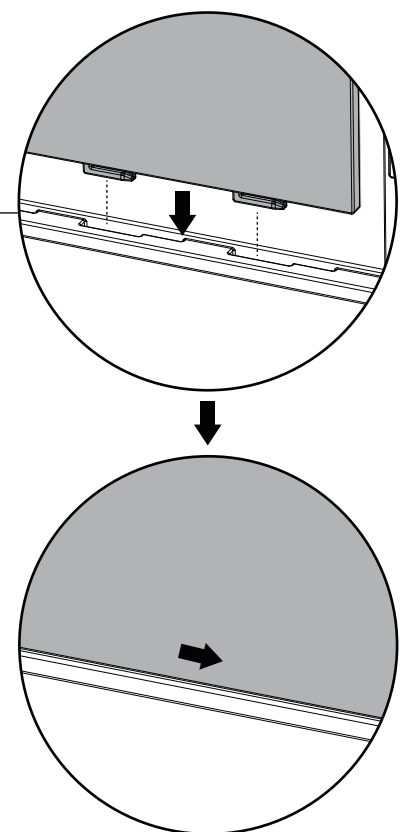
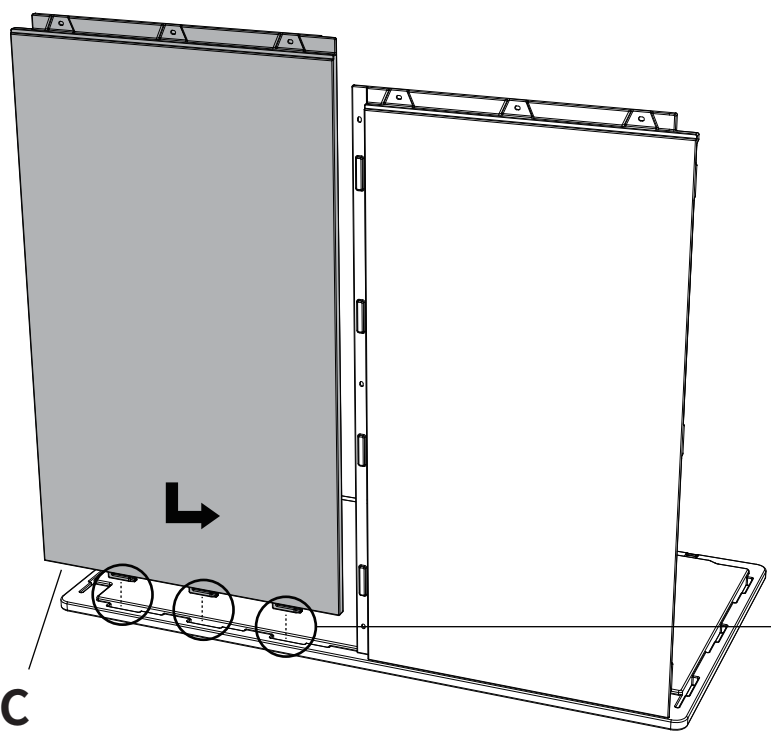
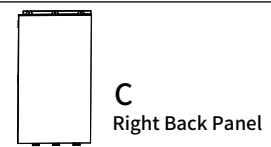
N1
M5
5pcs
Spare X 1pc

Horizontal Storage Shed Instruction Manual

1 Left Back Panel to install



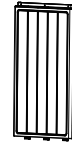
2 Right Back Panel to install



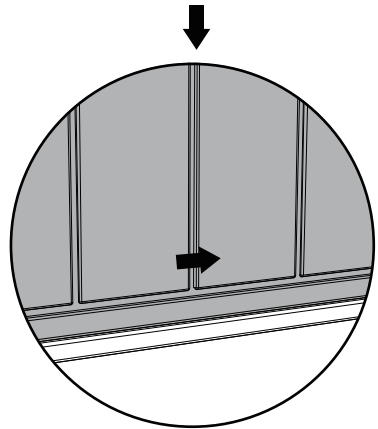
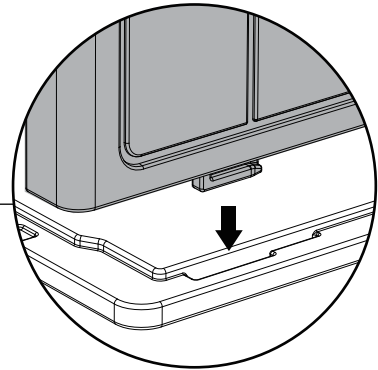
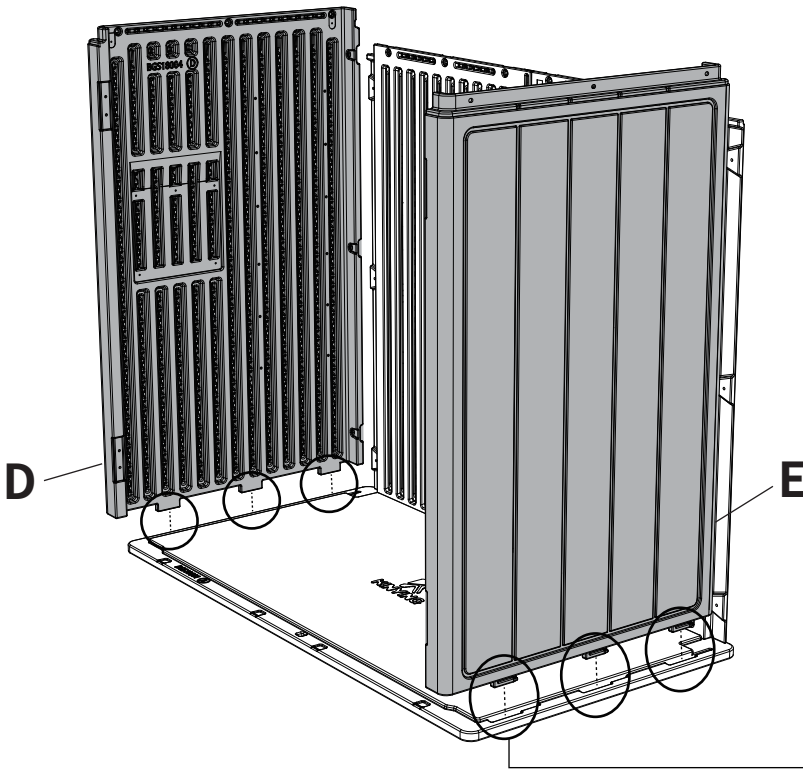
3 Side panels to install



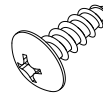
D
Left Side Panel



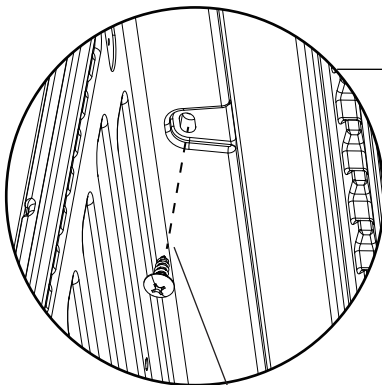
E
Right Side Panel



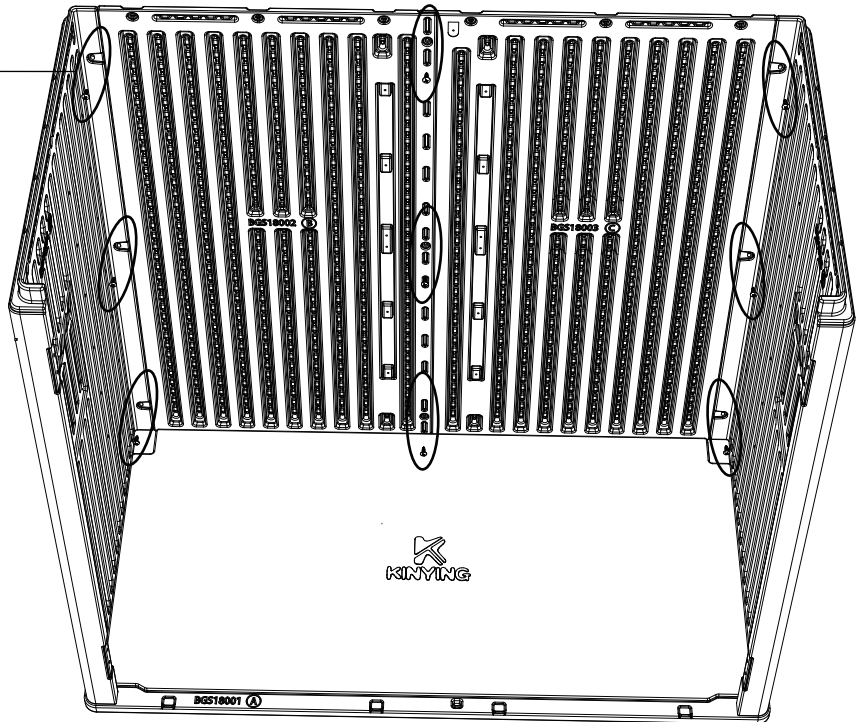
4 S1 screws to install



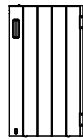
S1
M5.5×18×9pcs



S1



5 Hardware of Right Door to Install



G
Right Door



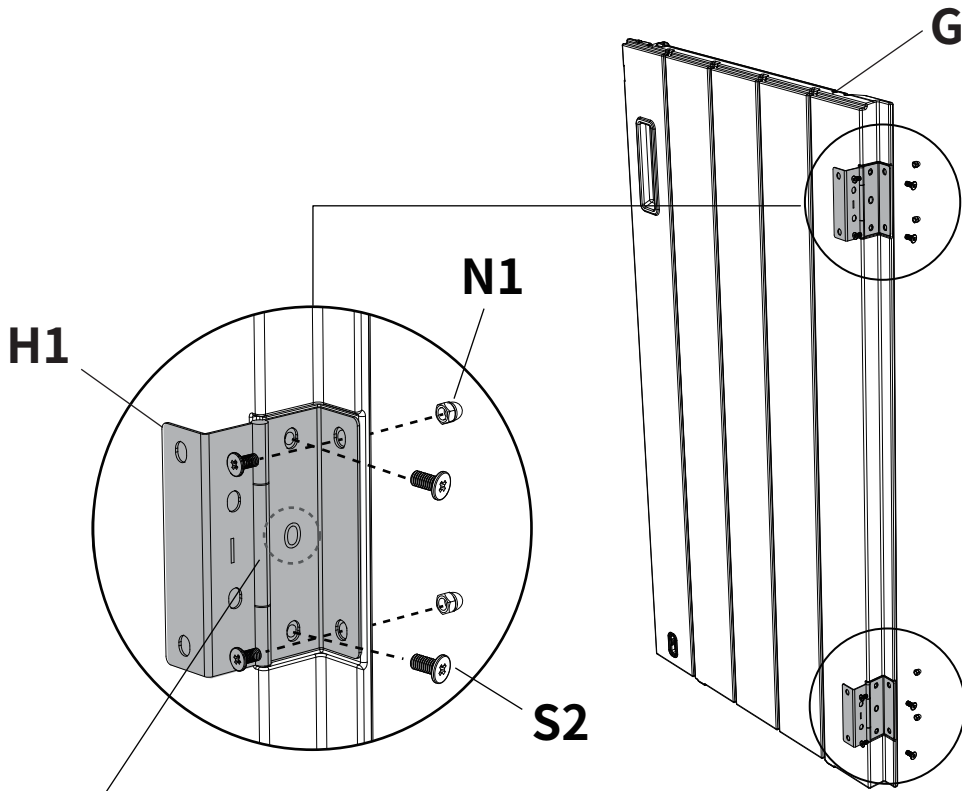
H1
Hinge
2pcs



N1
M5×4pcs

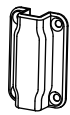


S2
M5×10×8pcs

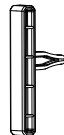


Please note: The side with letter "O" of the hinges should be installed on the door panels.

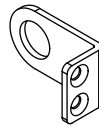
6 Hardware of Right Door to Install



L2



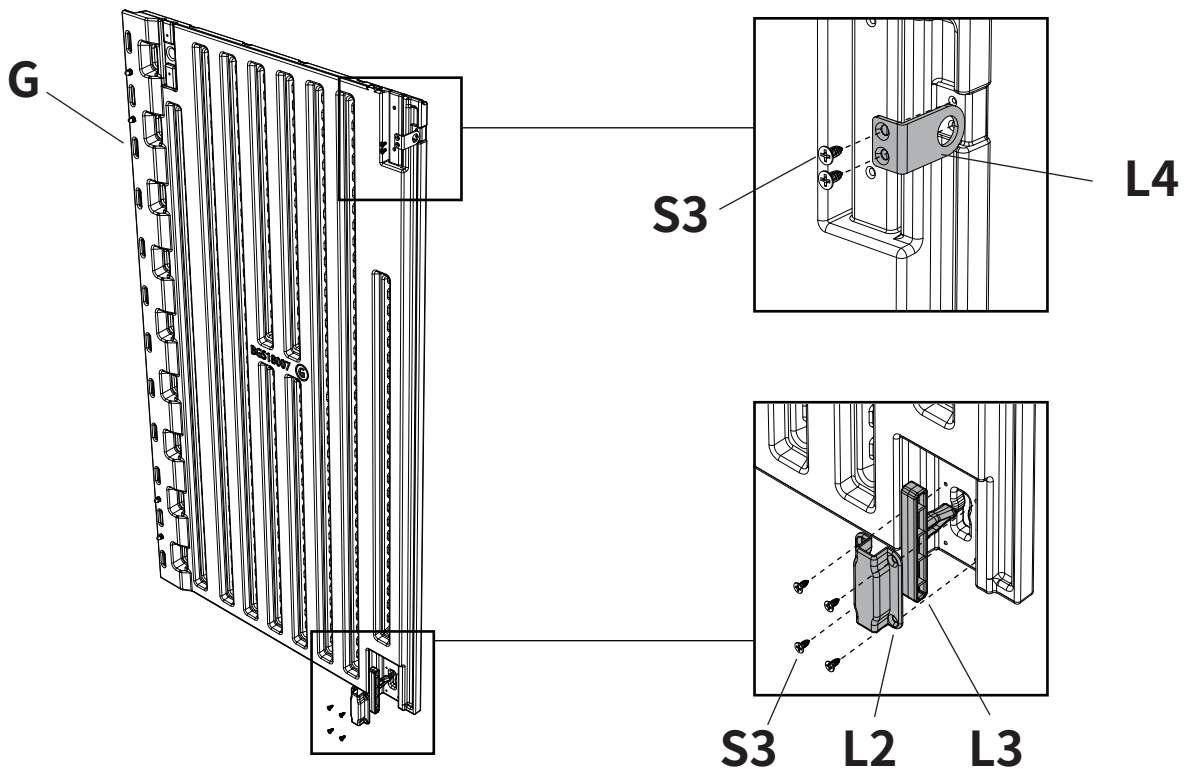
L3



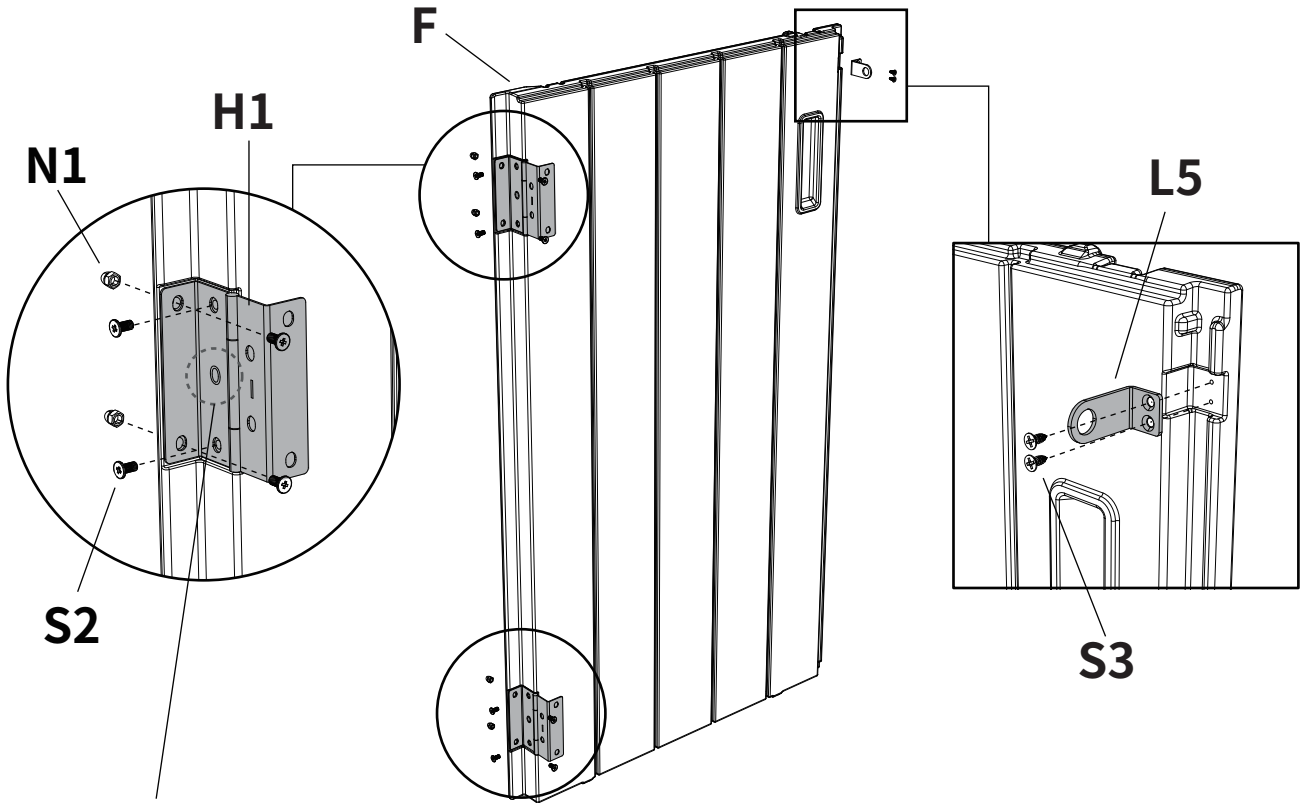
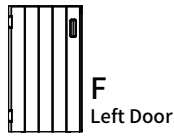
L4
Latch for Right Door



S3
M4×10×6pcs

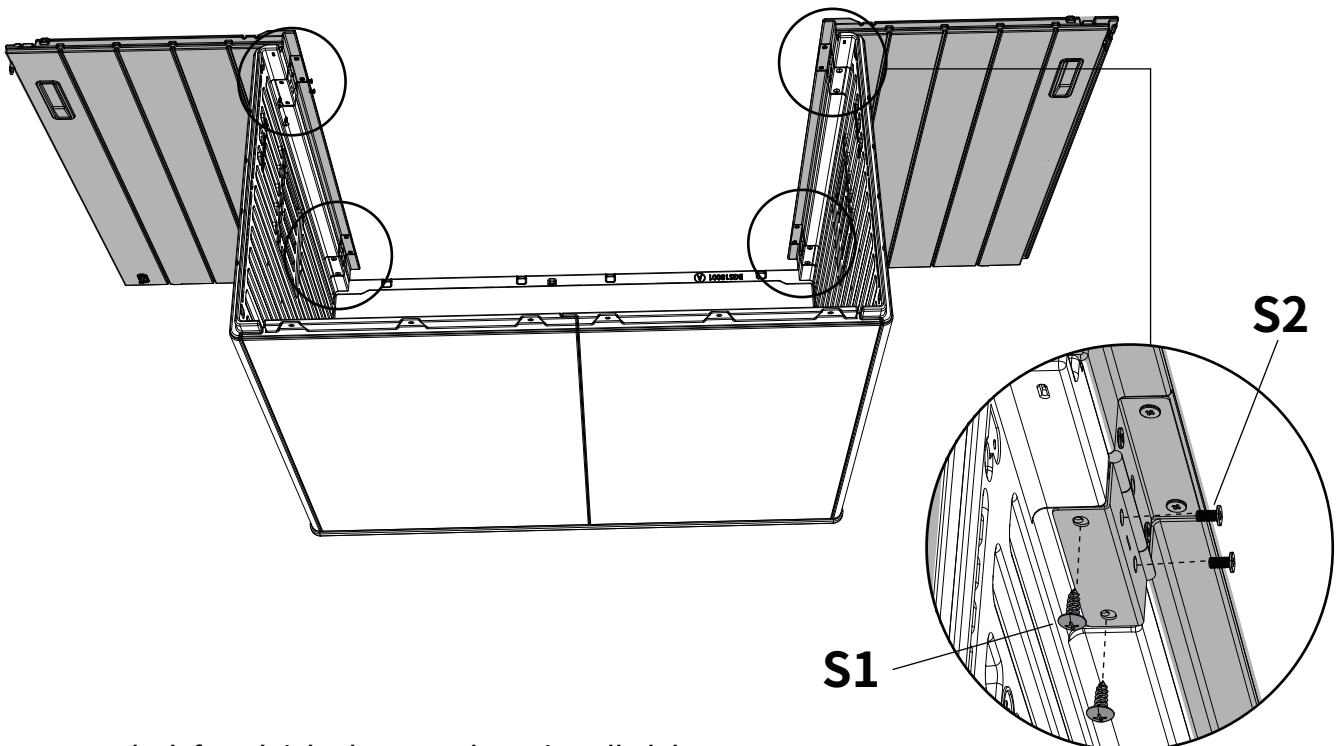


7 Hardware of Left Door to Install



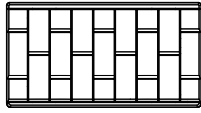
Please note: The side with letter "O" of the hinges should be installed on the door panels.

8 Door to install

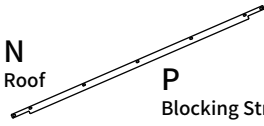


Note: The left and right door panels are installed the same.

9 Roof accessories to install



N
Roof



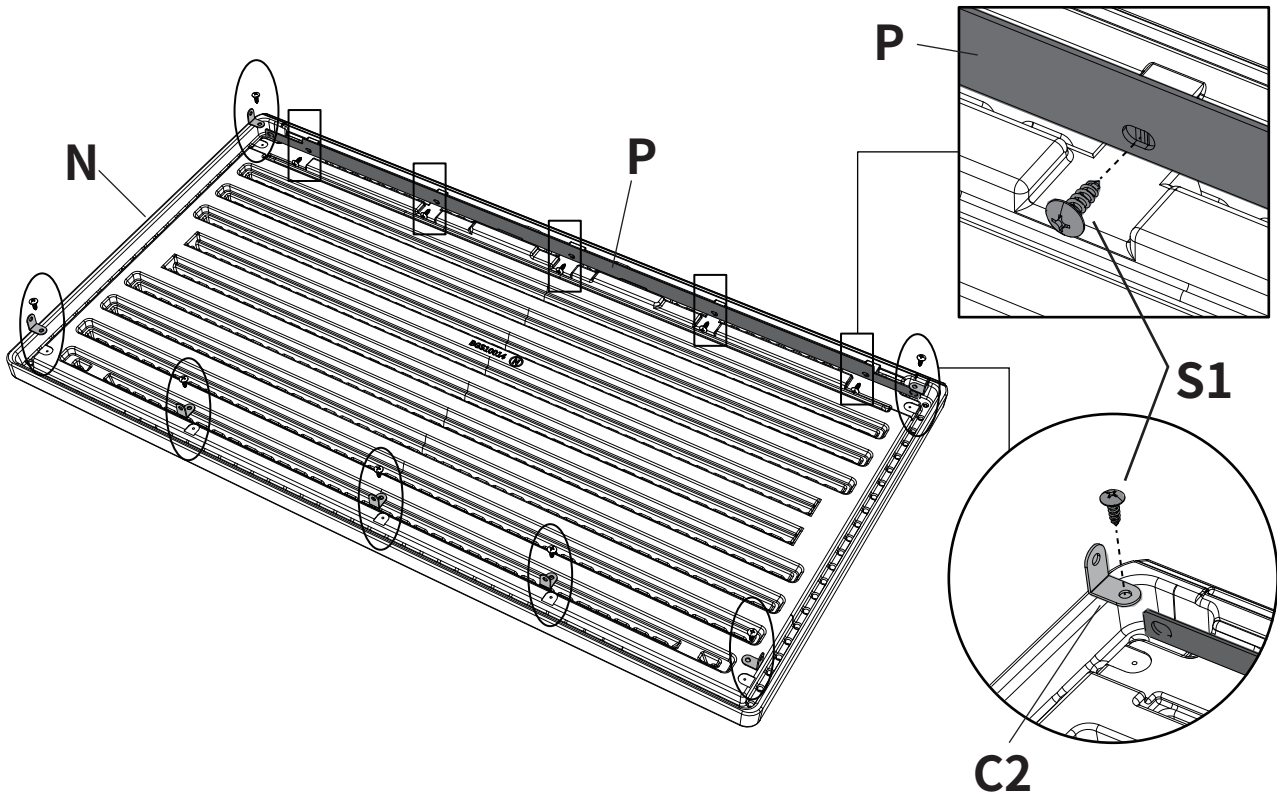
P
Blocking Strip



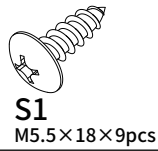
C2
Fixing Piece for Roof
7pcs



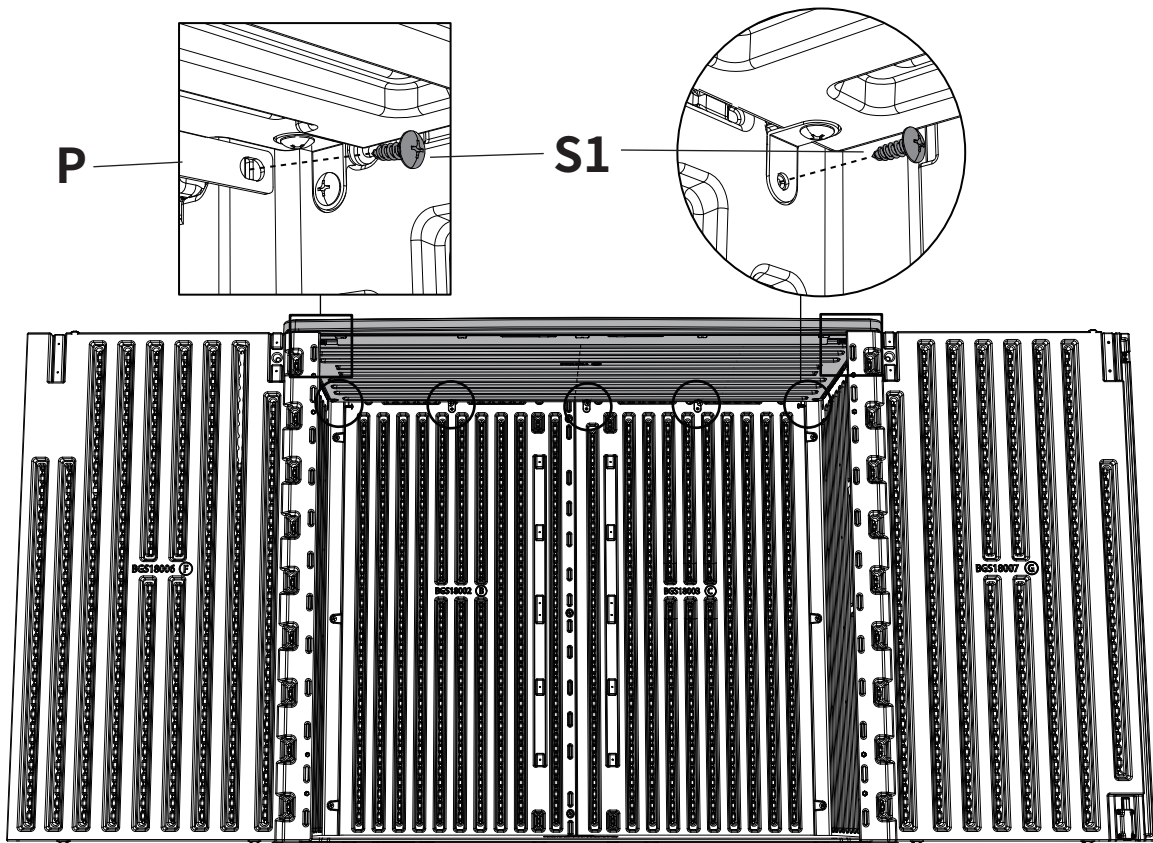
S1
M5.5×18×12pcs



10 Roof to install

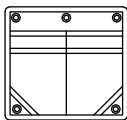


S1
M5.5×18×9pcs



11

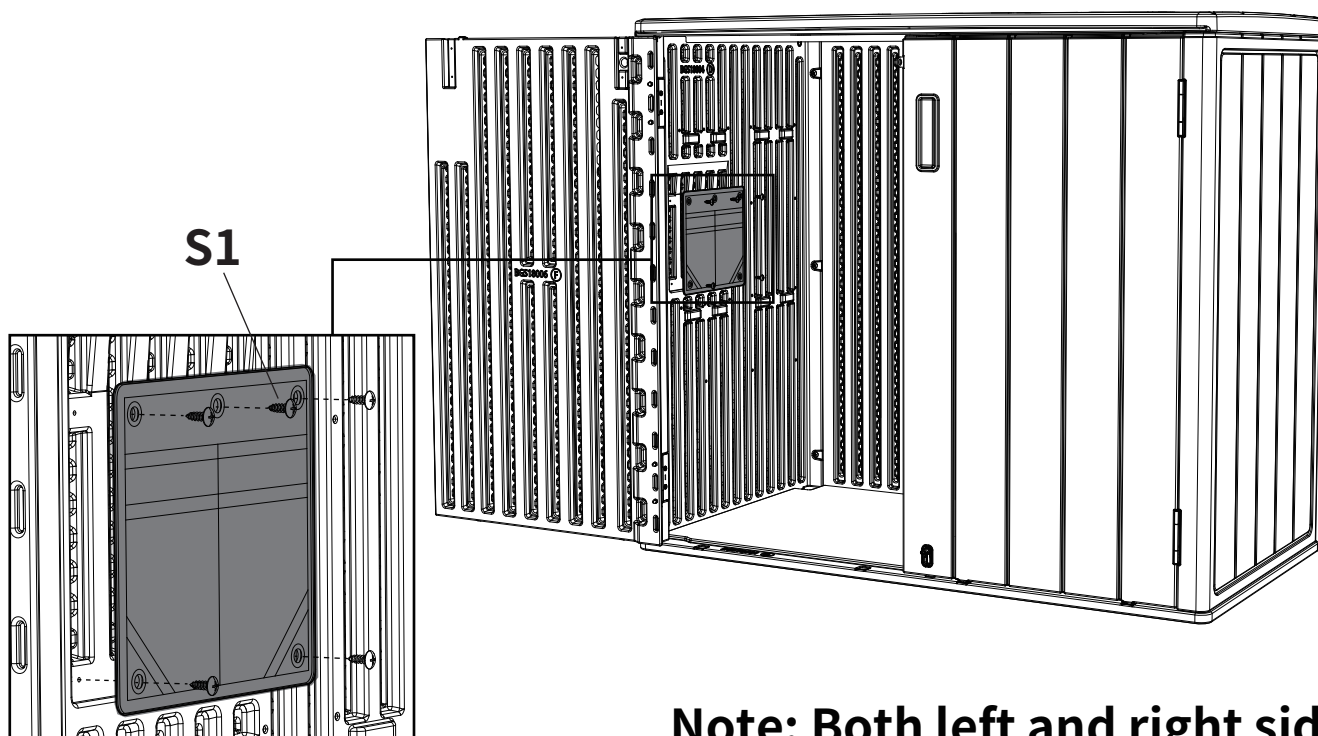
Tool bag install




tool bag



S1
M5.5×18×5pcs



Note: Both left and right side panels can be installed.

 Congratulations, the storage shed installation is finishing!

Vertical Storage Shed Instruction Manual

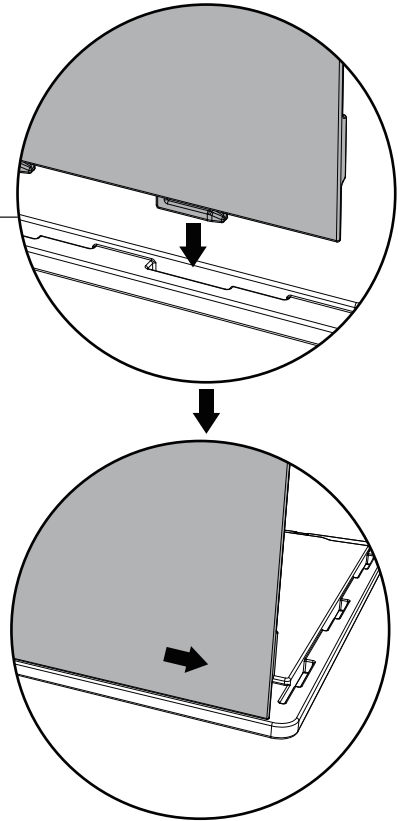
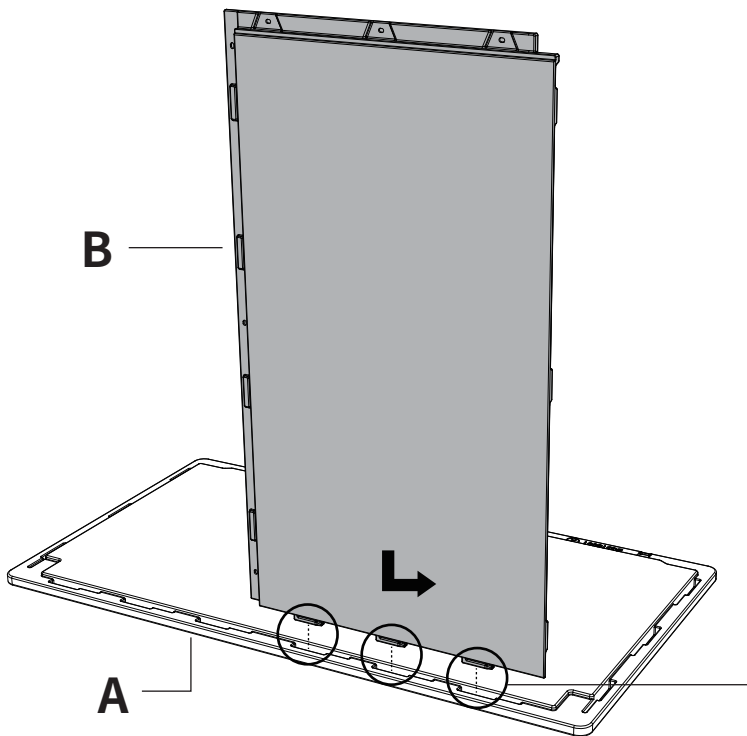
1 Left Back Panel to install



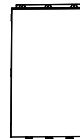
A
Floor



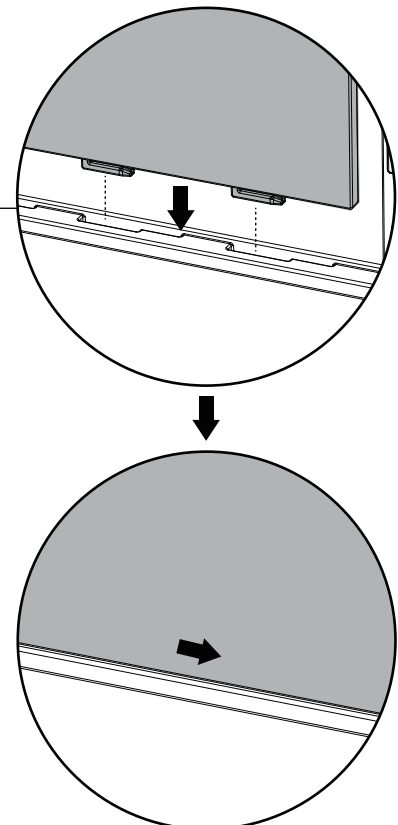
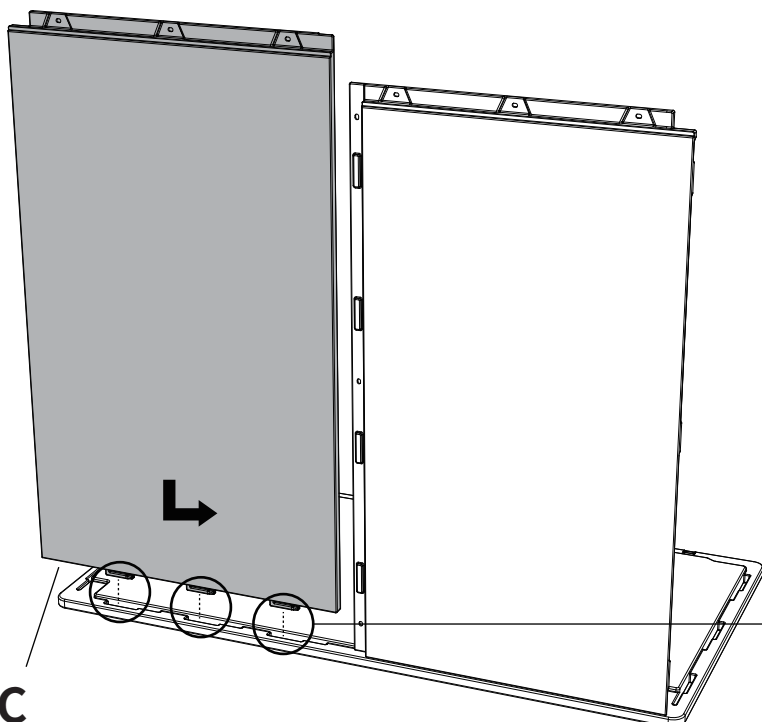
B
Left Back Panel



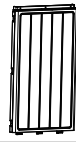
2 Right Back Panel to install



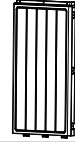
C
Right Back Panel



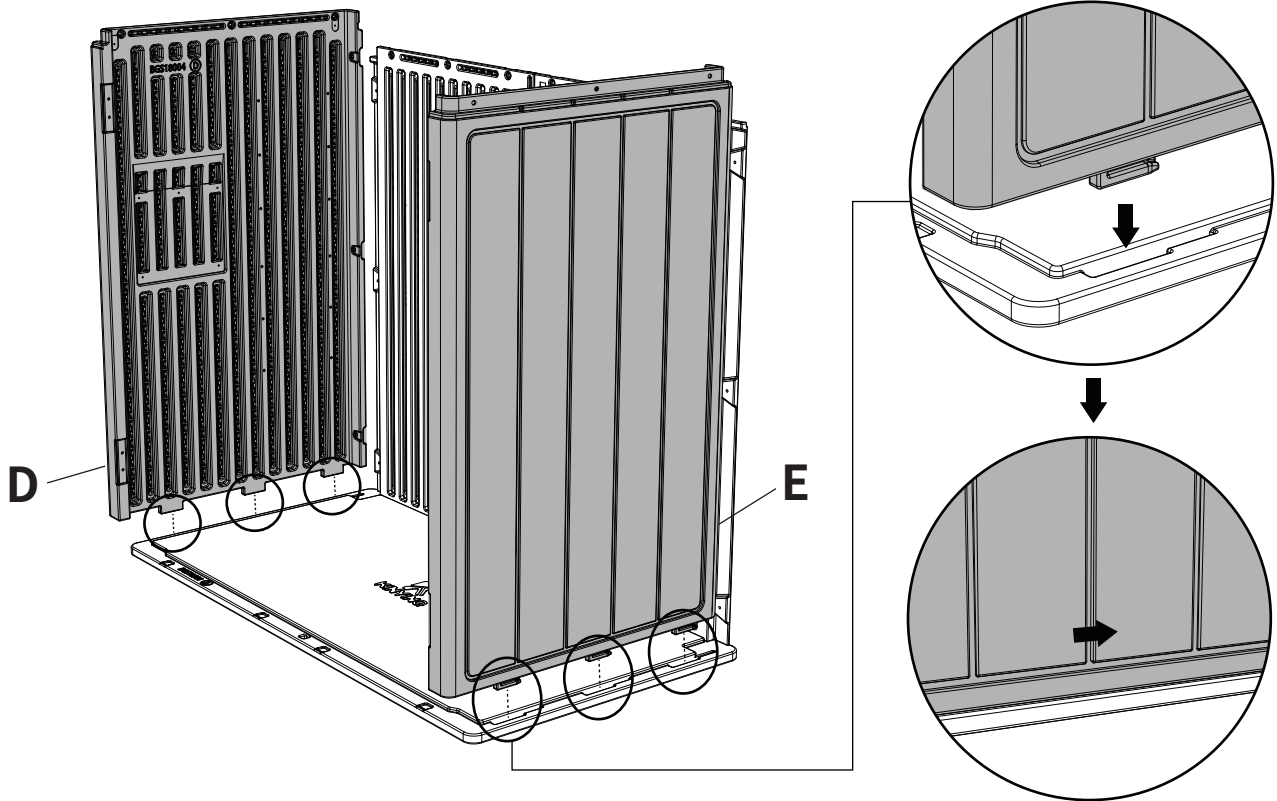
3 Side panels to install



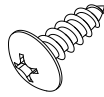
D
Left Side Panel



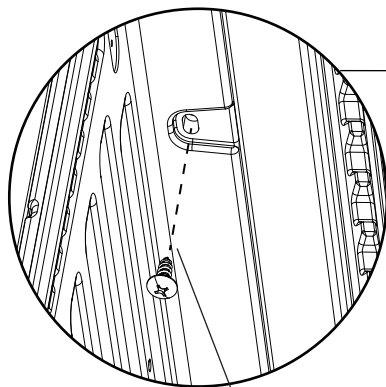
E
Right Side Panel



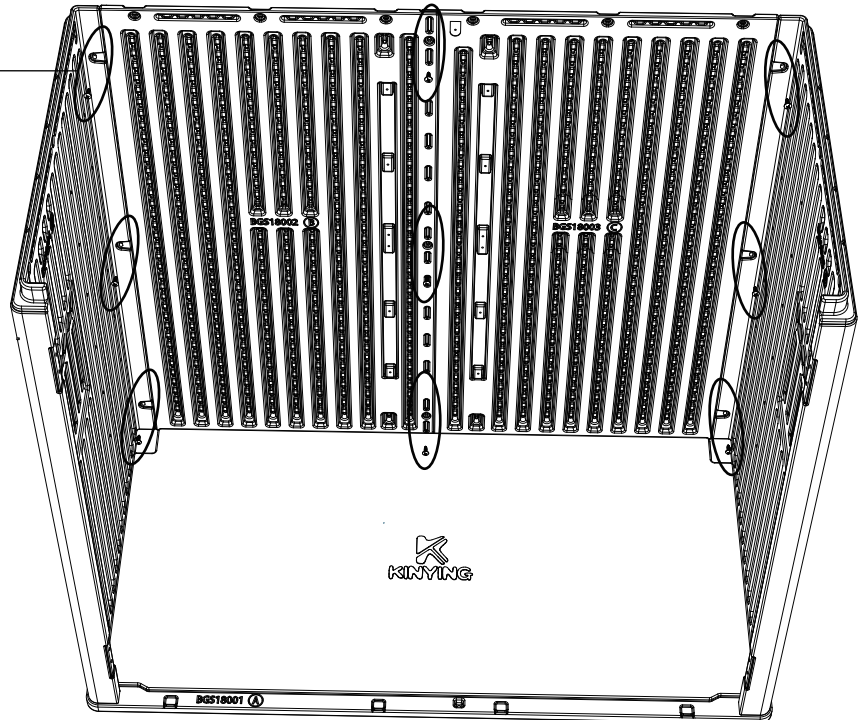
4 S1 screws to install



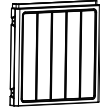
S1
M5.5×18×9pcs



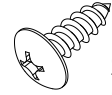
S1



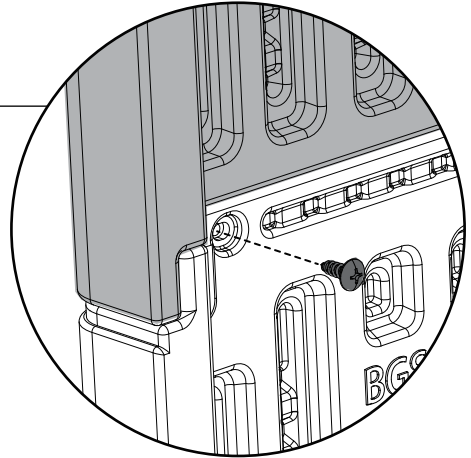
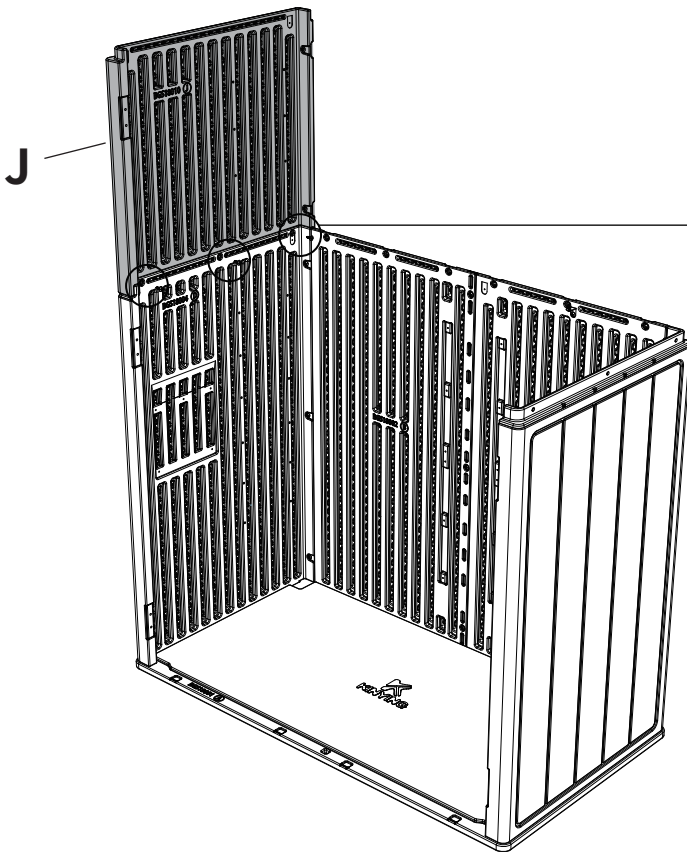
5 Left side panel(top) to install



J
Left side panel(top)

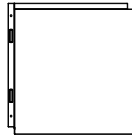


S1
M5.5×18×3pcs

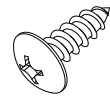


S1

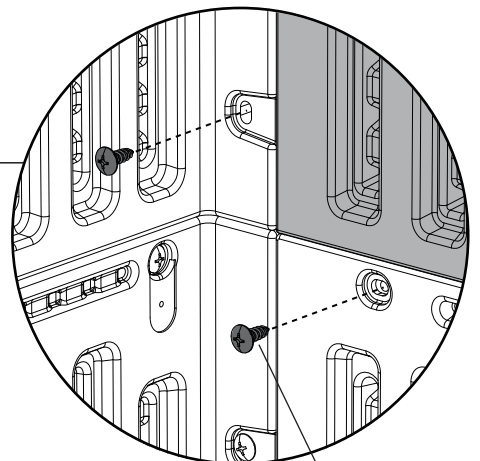
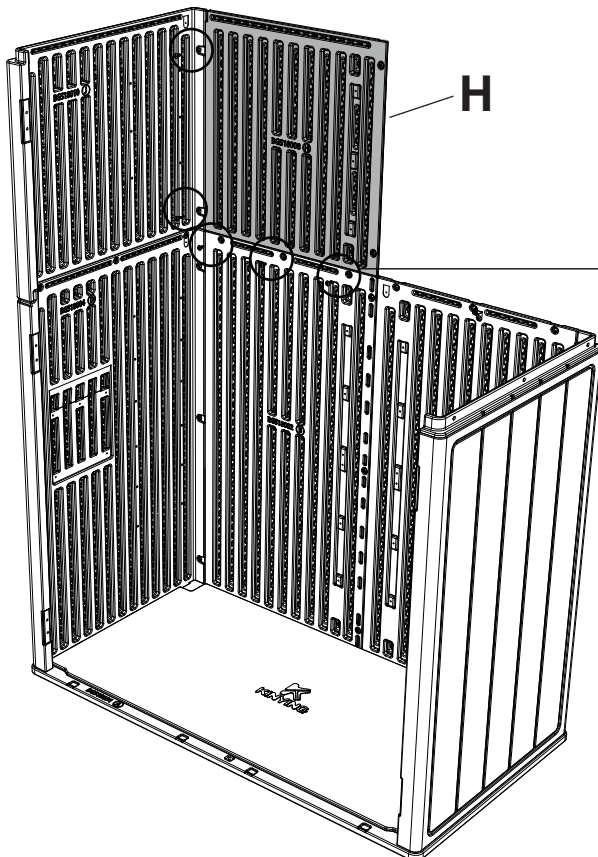
6 Left back panel 4 (top) to install



H
Left Back Panel(top)



S1
M5.5×18×5pcs

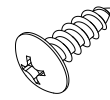


S1

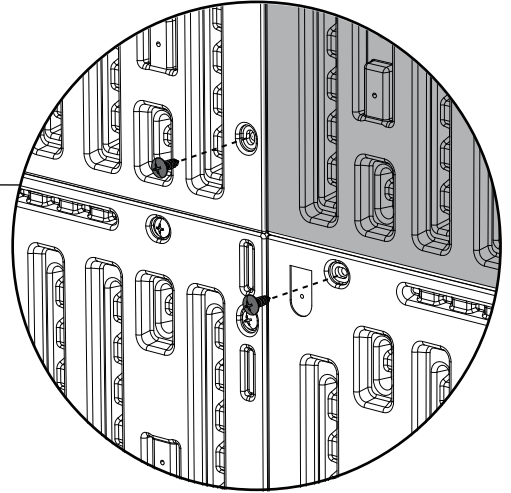
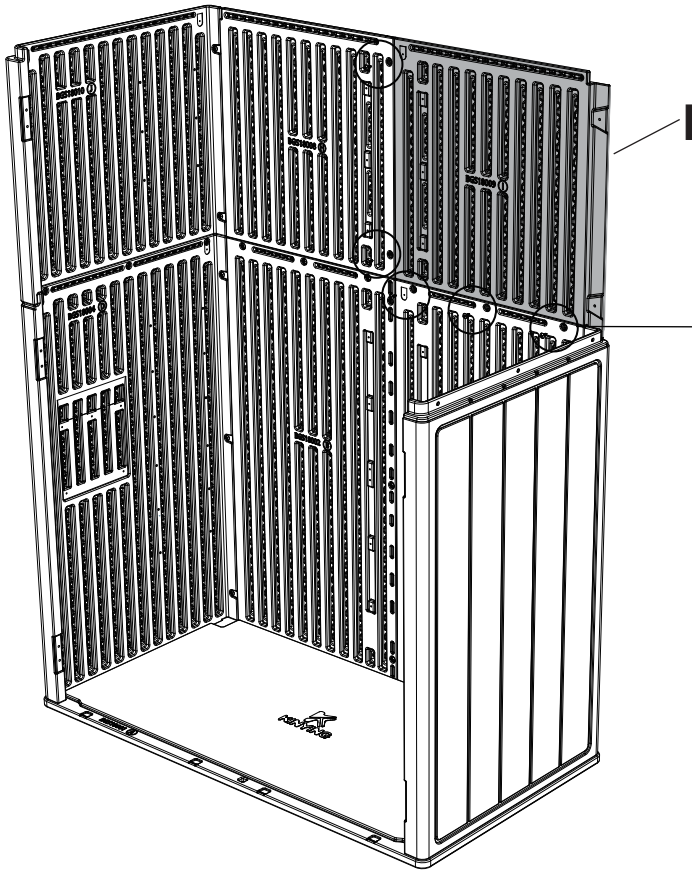
7 Right back panel(top) to install



I
右上背板



S1
M5.5×18×5pcs

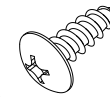


S1

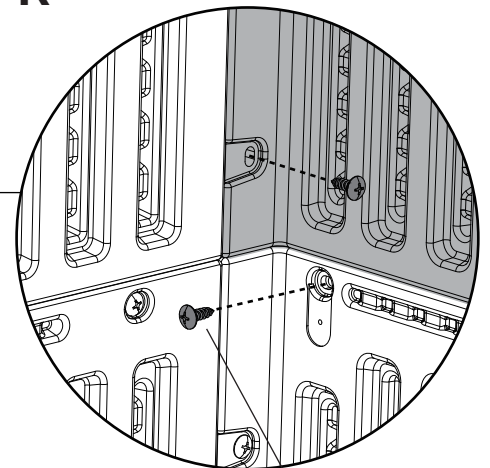
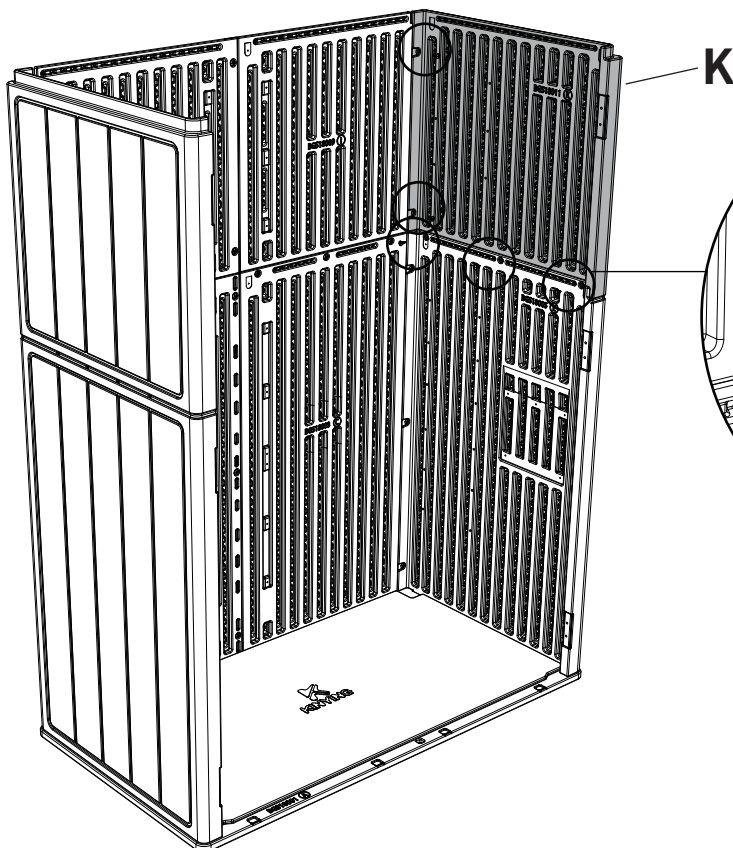
8 Right side panel(top) to install



K
Right Side Panel(top)



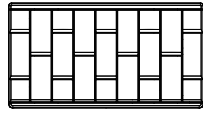
S1
M5.5×18×5pcs



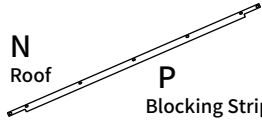
S1

9

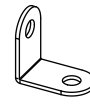
Roof accessories to install



N
Roof



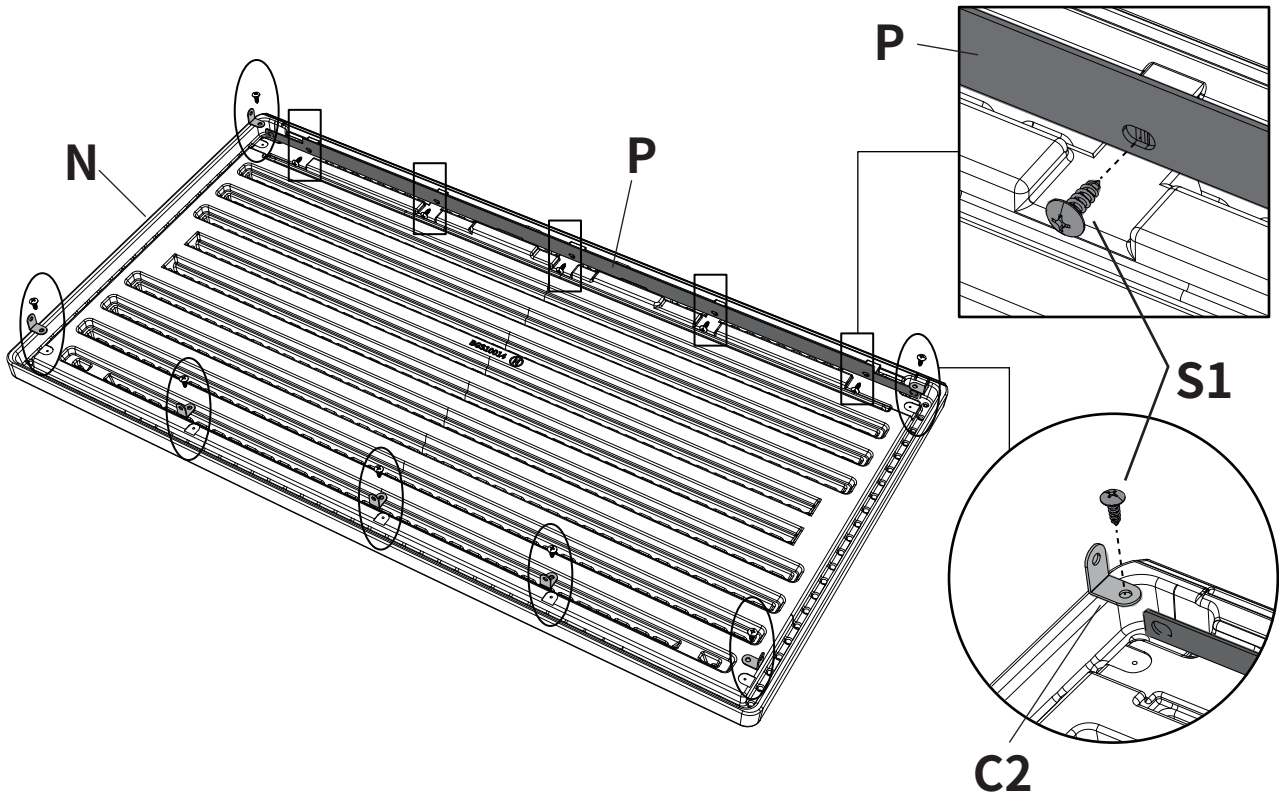
P
Blocking Strip



C2
Fixing Piece for Roof
7pcs

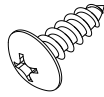


S1
M5.5×18×12pcs

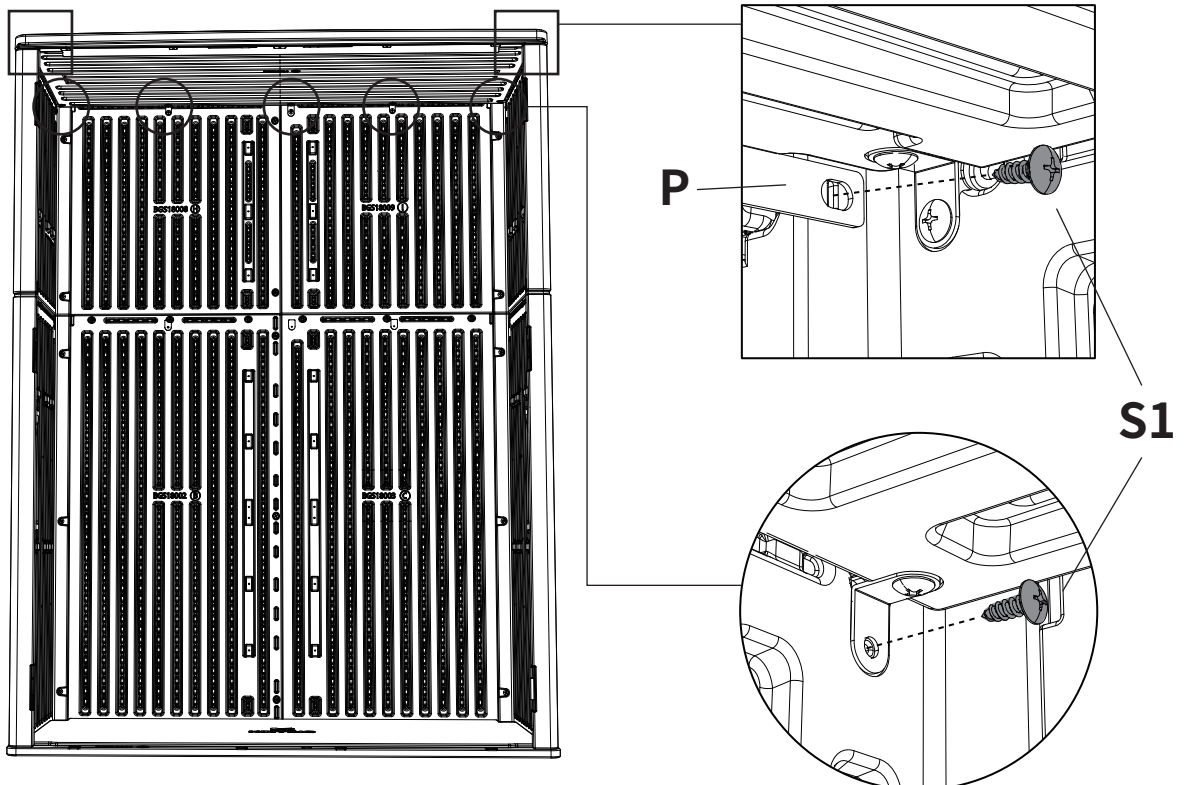


10

Roof to install

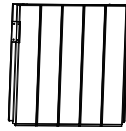


S1
M5.5×18×9pcs

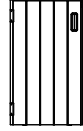


11

Hardware of Left Door to Install



L
Left Door(top)



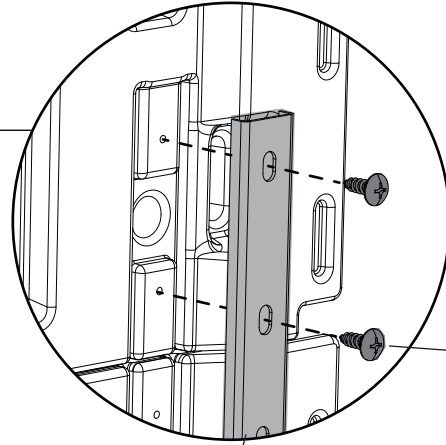
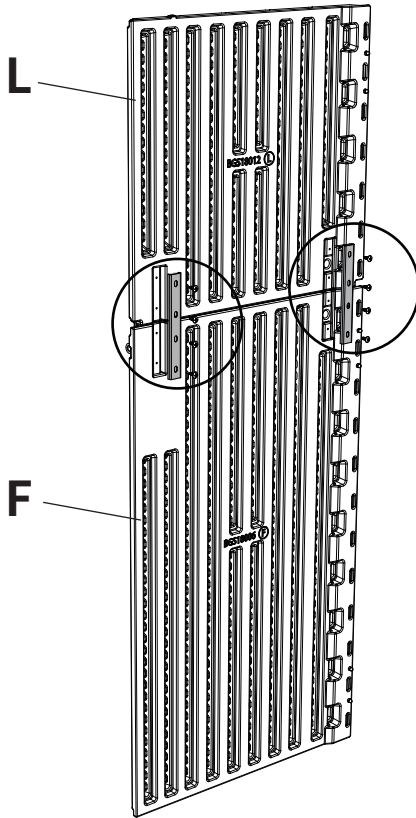
F
Left Door



C1
Connection Bar
2pcs



S1
M5.5×18×8pcs



S1

C1

12

Hardware of Left Door to Install



H1
Hinge
3pcs



N1
M5×6pcs



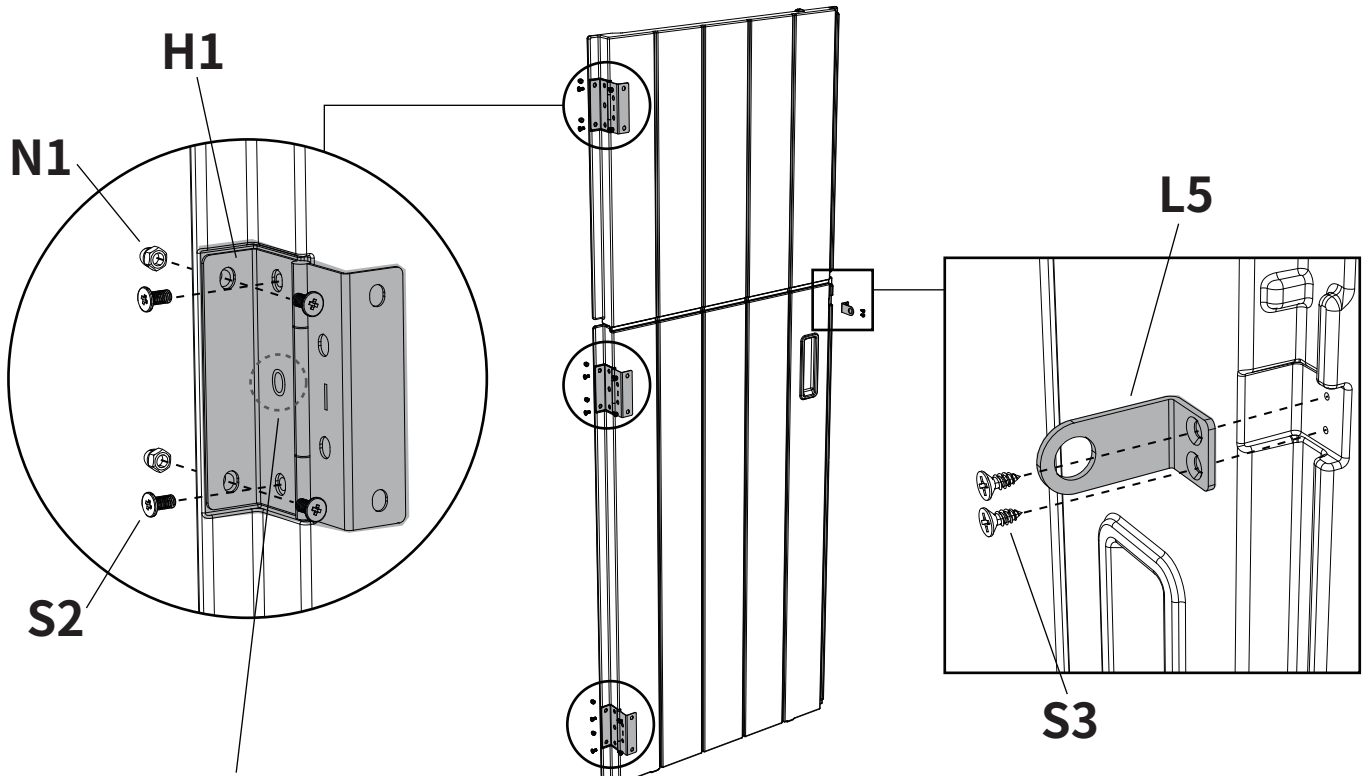
S2
M5×10×12pcs



L5
Latch for Left Door




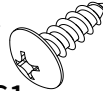
S3
M4×10×2pcs





Please note: The side with letter "O" of the hinges should be installed on the door panels.


13 Hardware of Right Door to Install

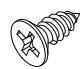
- 

C1
Connection Bar
2pcs
- 

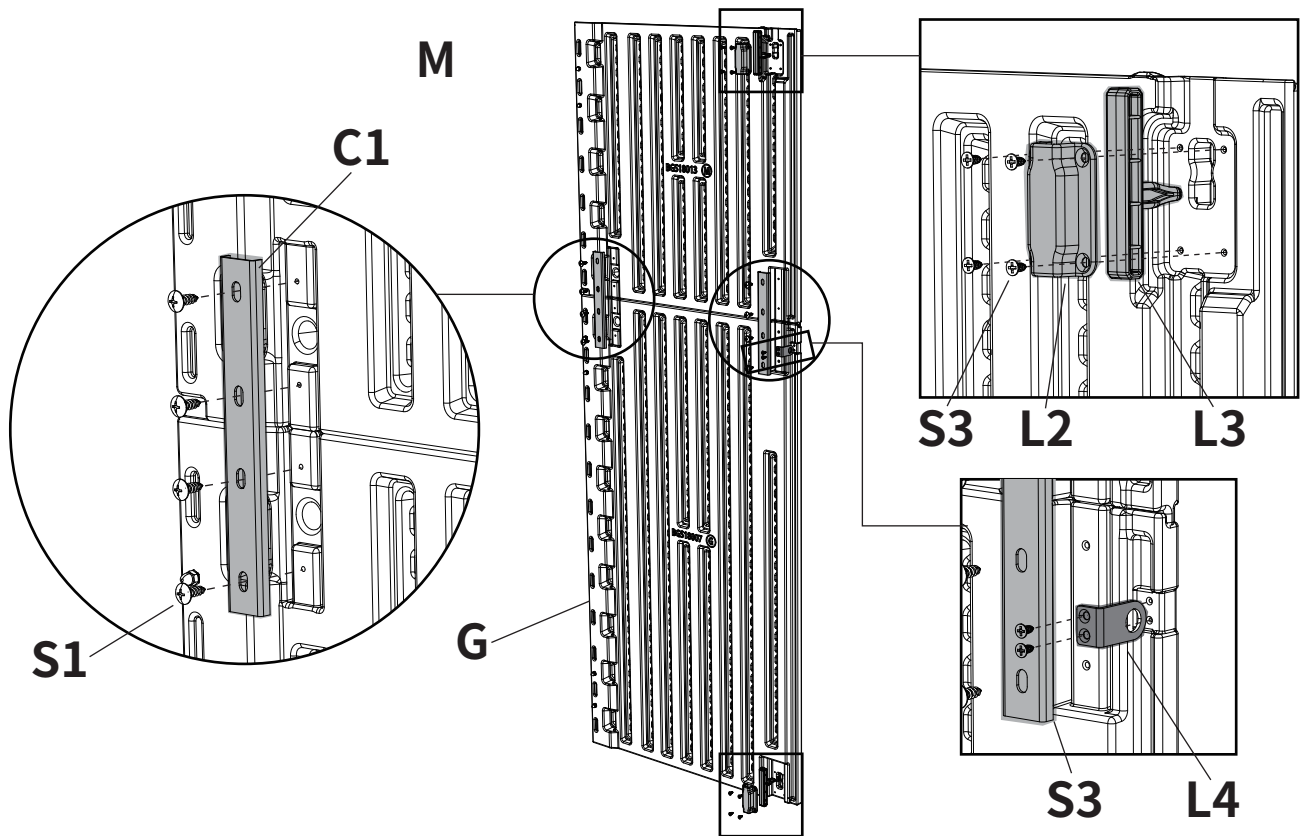
S1
M5.5×18×8pcs
- 

L2
2pcs
- 


L3
2pcs
- 

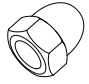
L4
Latch for
Right Door
- 


S3
M4×10×10pcs



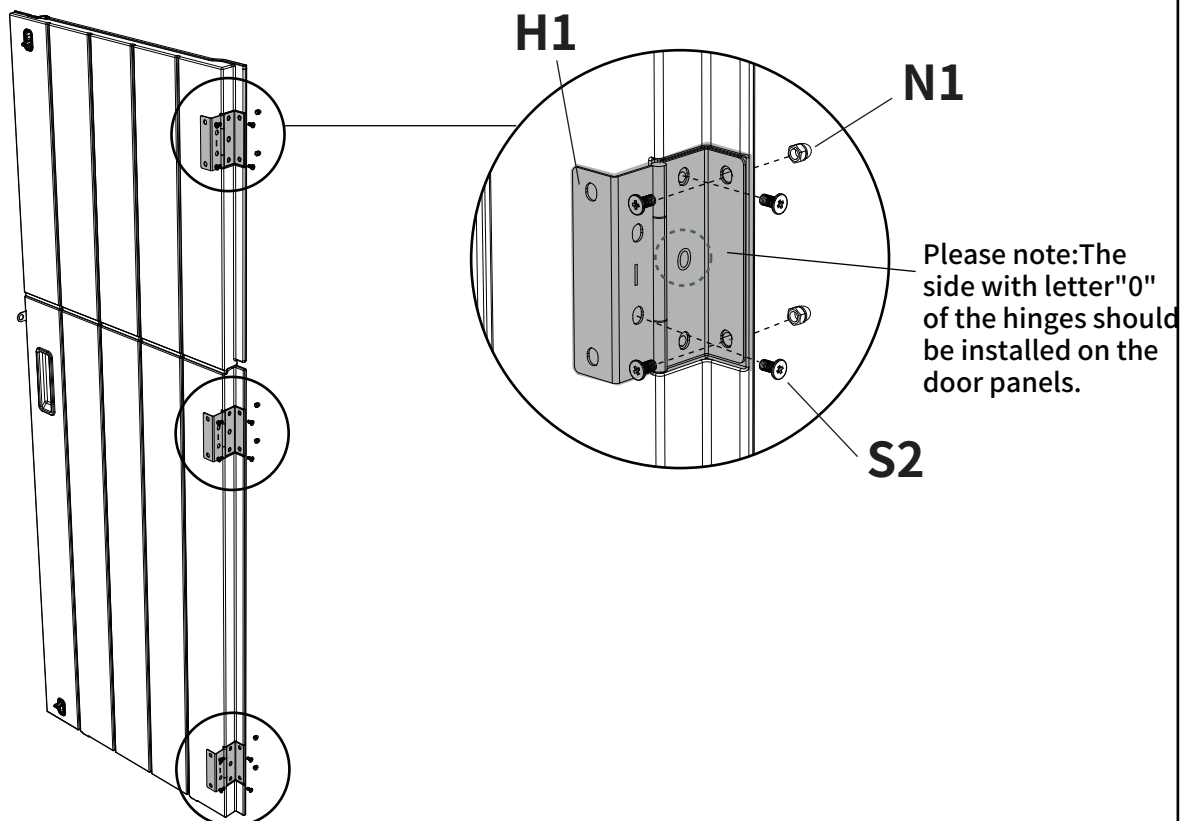
14 Hardware of Right Door to Install

- 

H1
Hinge
3pcs
- 

N1
M5×6pcs
- 

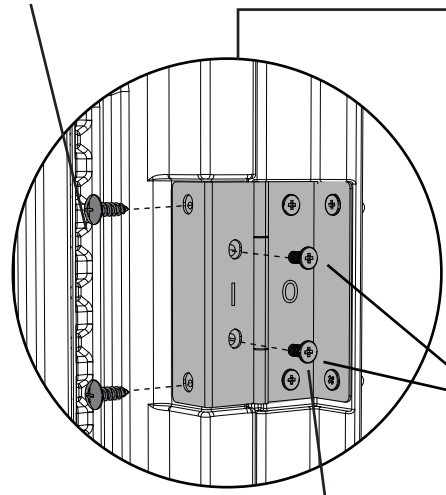
S2
M5×10×12pcs



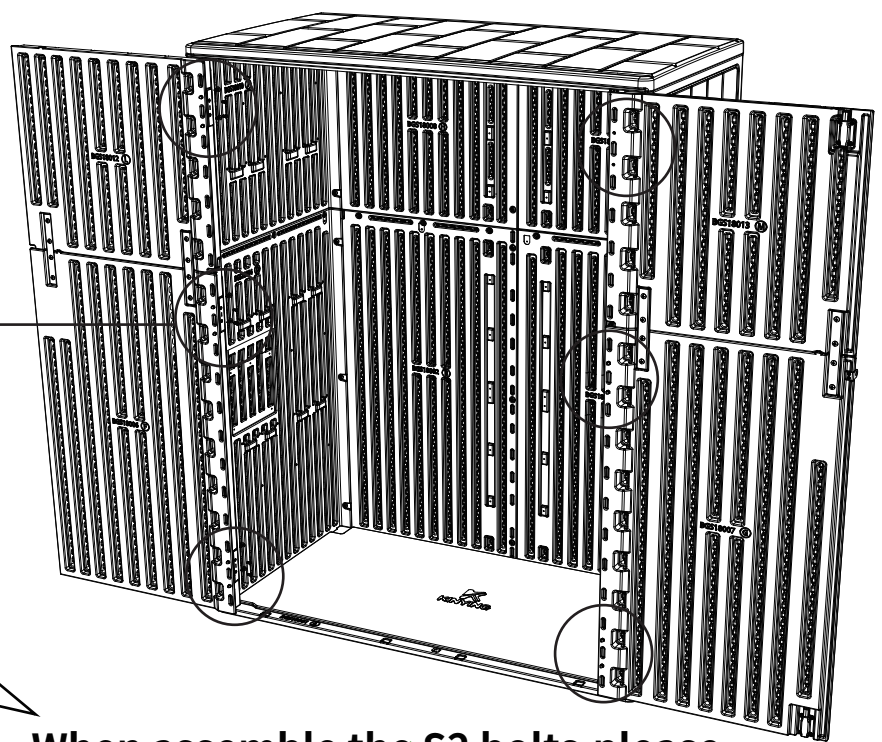
15 Door to install



S1

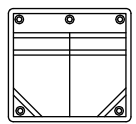


S2



When assemble the S2 bolts, please align the holes of the hinges with the nuts on the side panels. It suggests to use a screwdriver to assemble the S2 bolts.

16 Tool bag install



Note: Both left and right side panels can be installed.

S1

