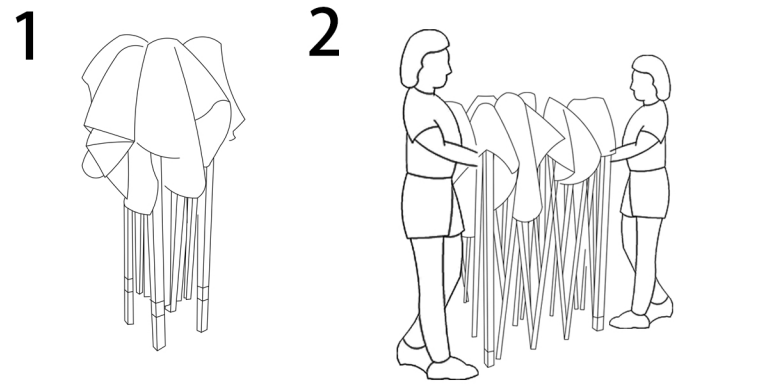
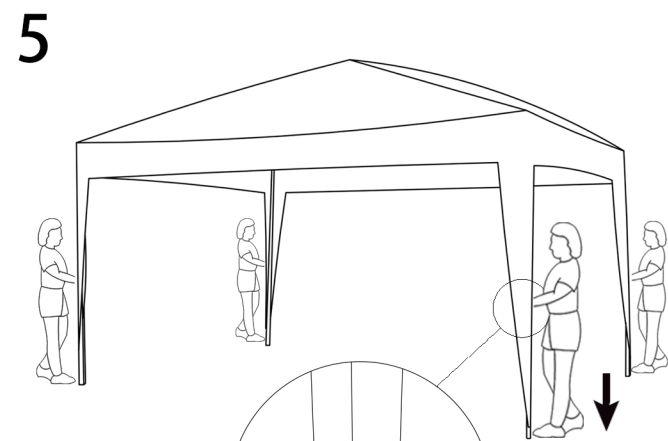
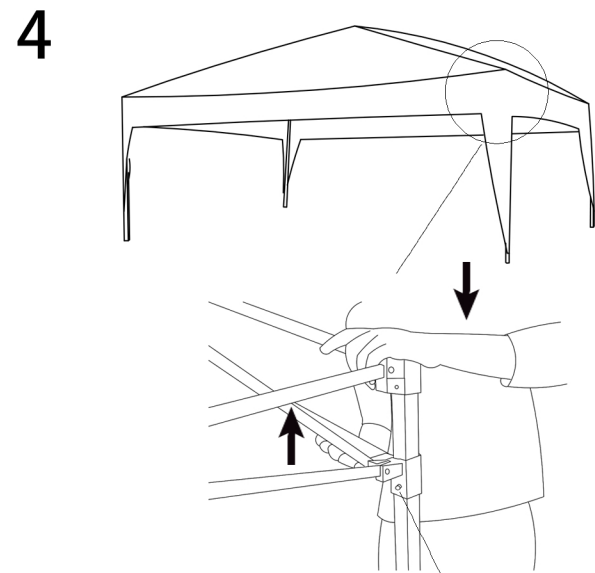
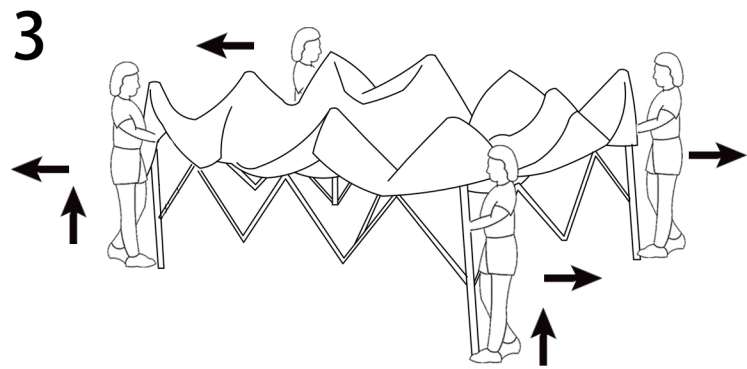


# Open

**Friendly Warning:** Please do not set up or continue to use in windy or stormy condition.



Two people are needed to hold the corners and gently shake while spreading the poles of the tent frame.



7 Vertical poles click into place



# Close

