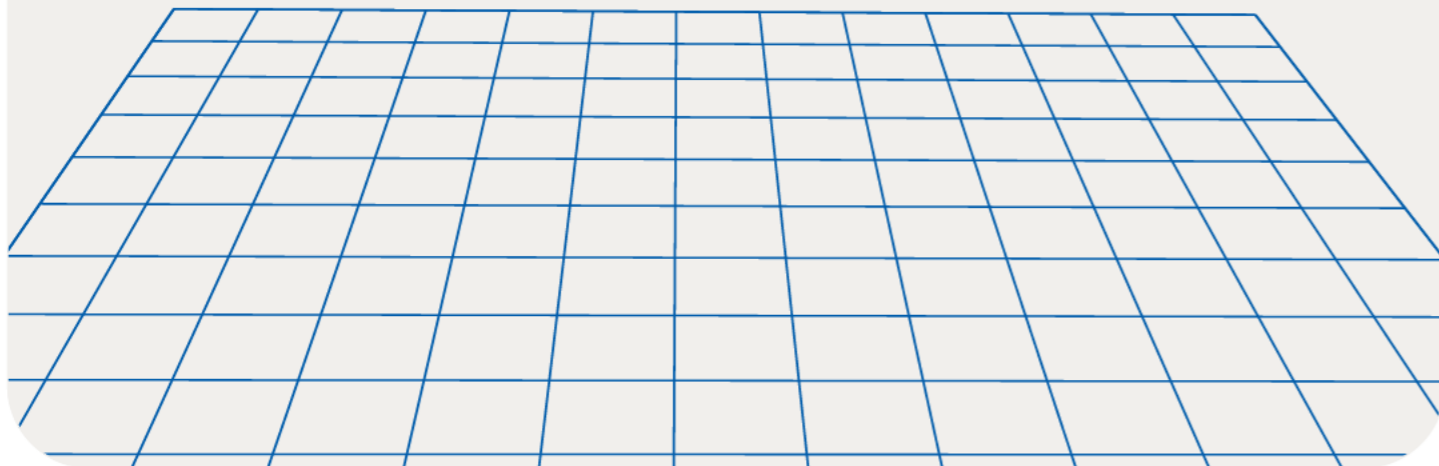
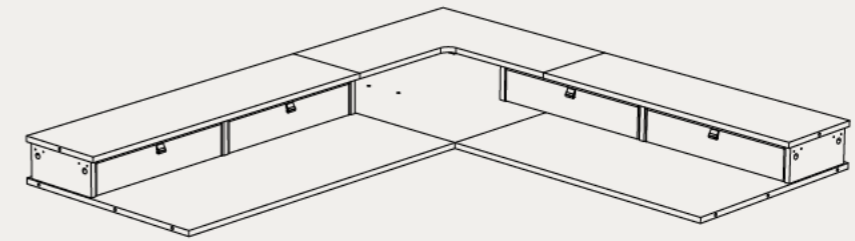


Work like new

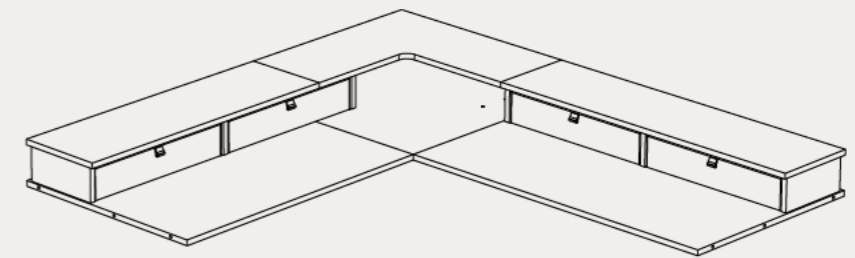


User Manual

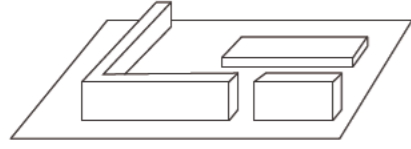
Plan A



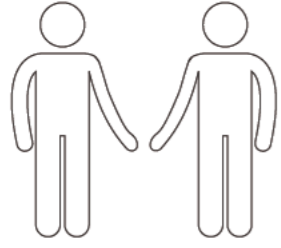
Plan B



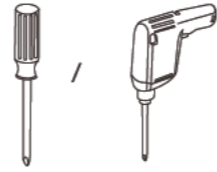
Assembly Notes



Assemble on carpet to prevent scratches



Cooperative assembly



Phillips screwdriver or drill required (not provided)

Accessories Package

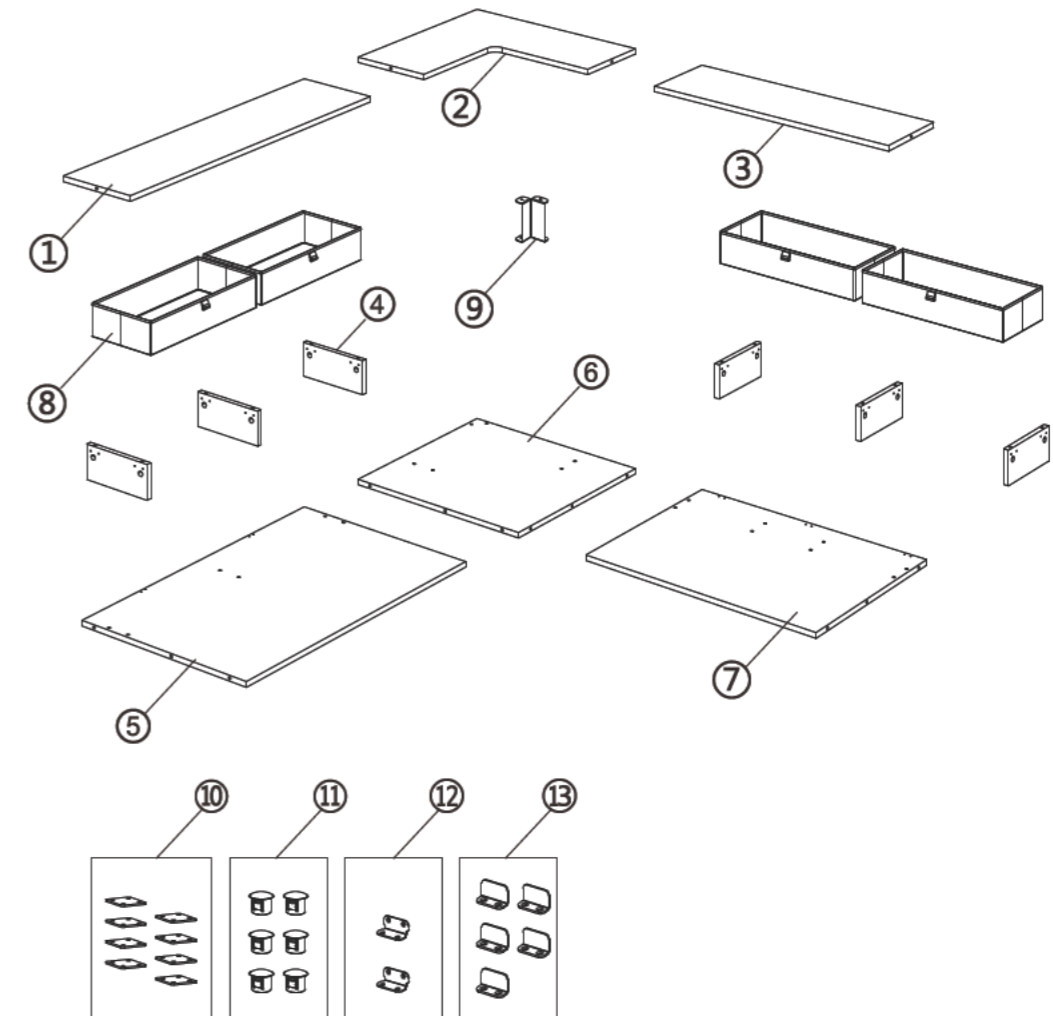
Note: The following line drawings are for reference only and in some cases may be different from the actual part; please refer to the actual part. If you find missing parts or installation problems, please contact customer service.



Ax1 Bx8 Cx32 Dx20 Ex12 Fx12 Gx2 Hx12

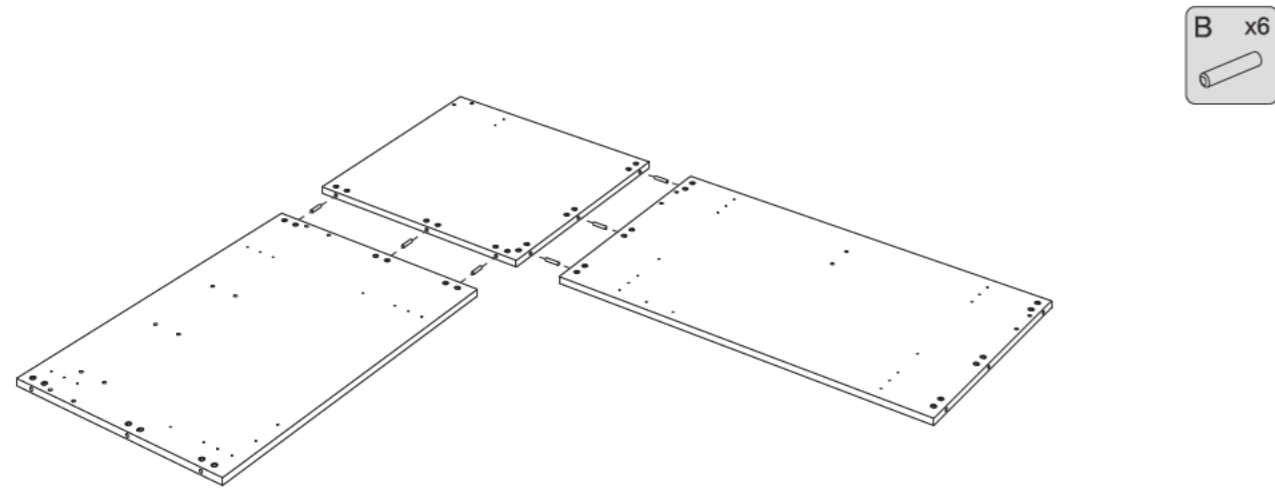
Parts Included

①	Storage Shelf I x1	
②	Storage Shelf II x1	
③	Storage Shelf III x 1	
④	Partition x 6	
⑤	Desktop I x 1	
⑥	Desktop II x1	
⑦	Desktop III x 1	
⑧	Fabric Drawers x 4	
⑨	Right Angle Support x 1	
⑩	Desktop Connectors x 8	
⑪	Hole Plugs x 6	
⑫	Storage Shelf Connectors x 2	
⑬	Drawer Stoppers x 5	

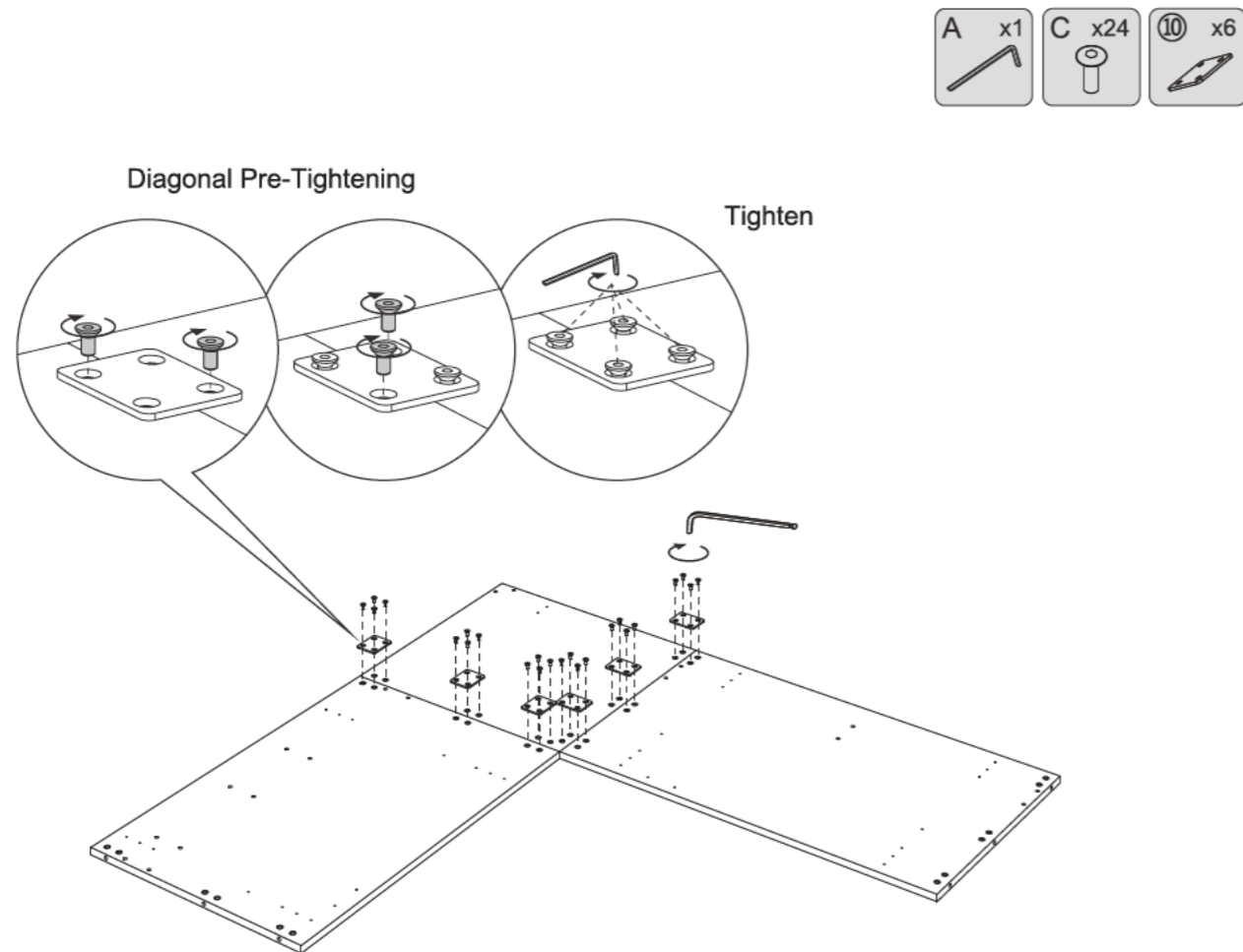


Assembly Steps - Plan A

A-1 Insert wooden dowels



A-2 Joining the desktop panels

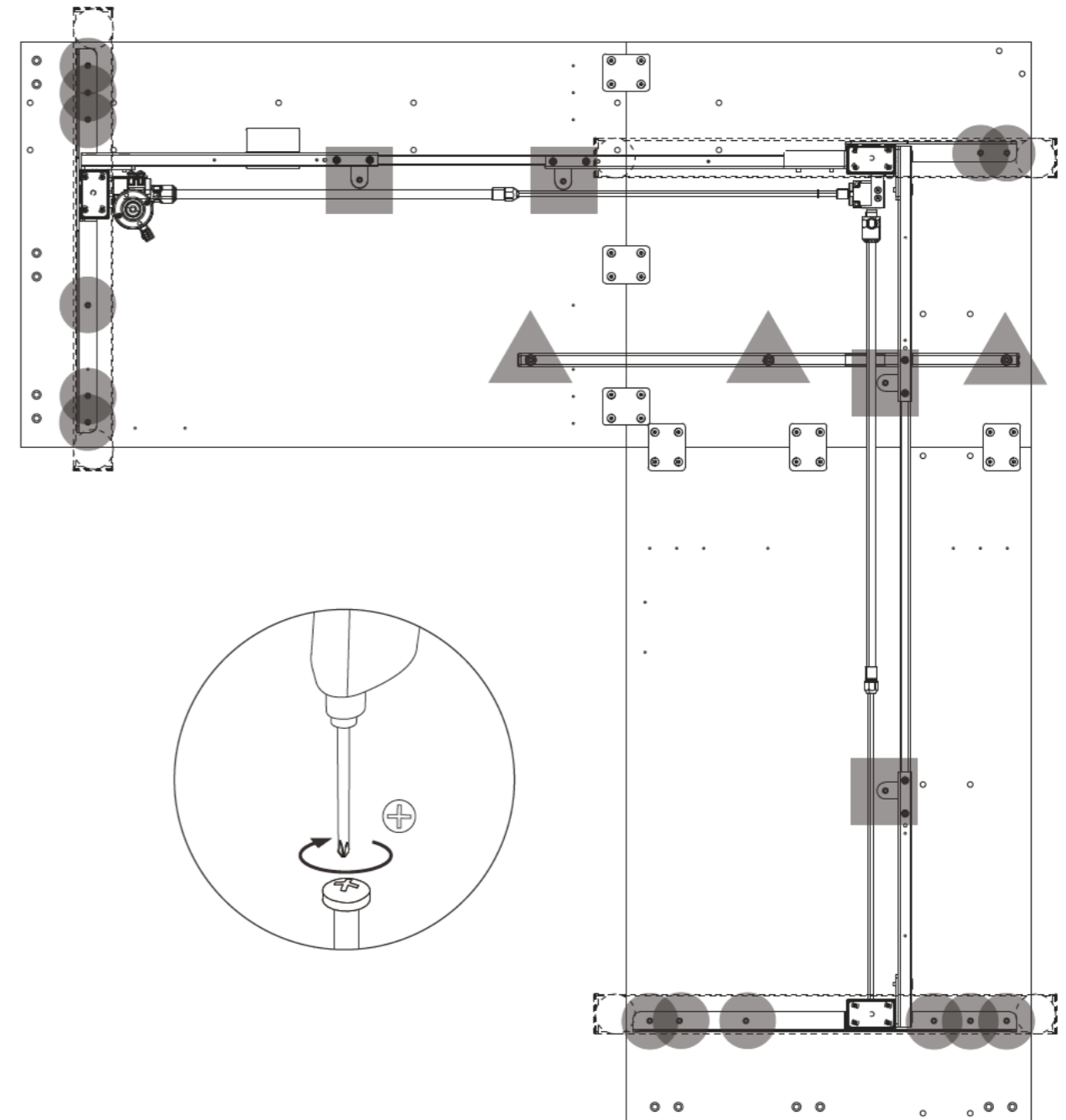


A-3 Install the Desktop

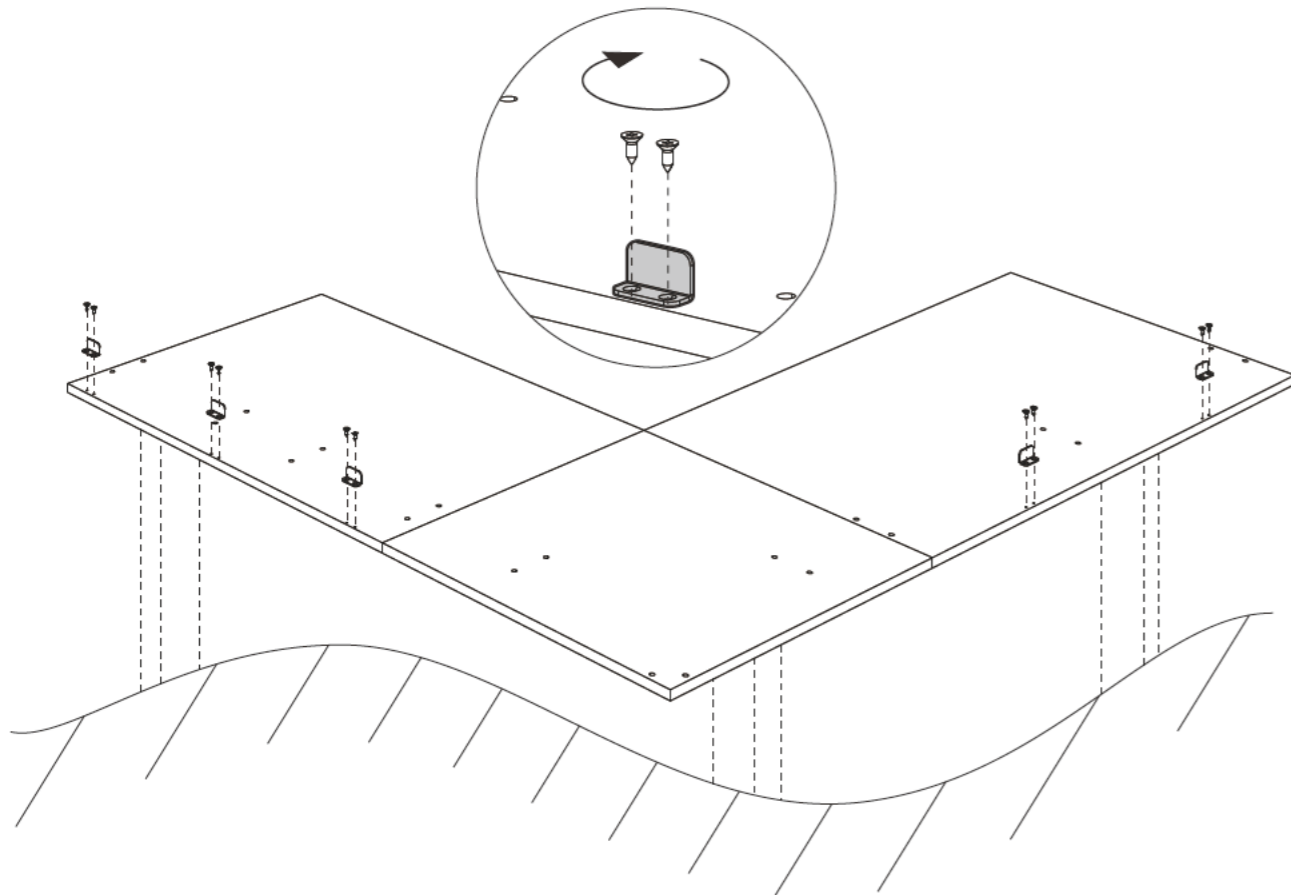
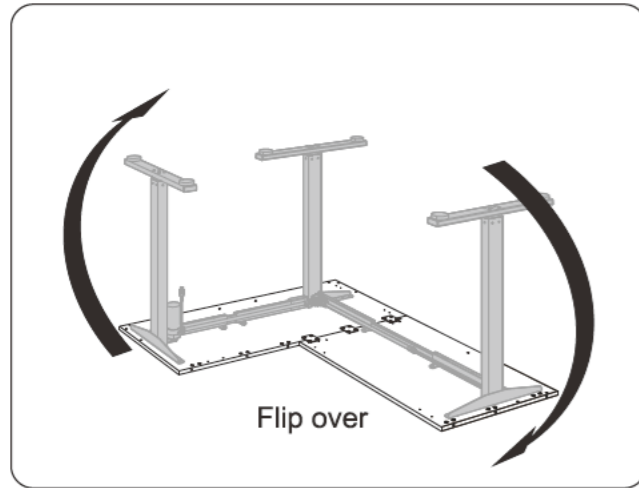


Before securing the desktop, adjust the desk frame's stretch length to fit the desktop. Please refer to the desk frame manual for specific instructions.

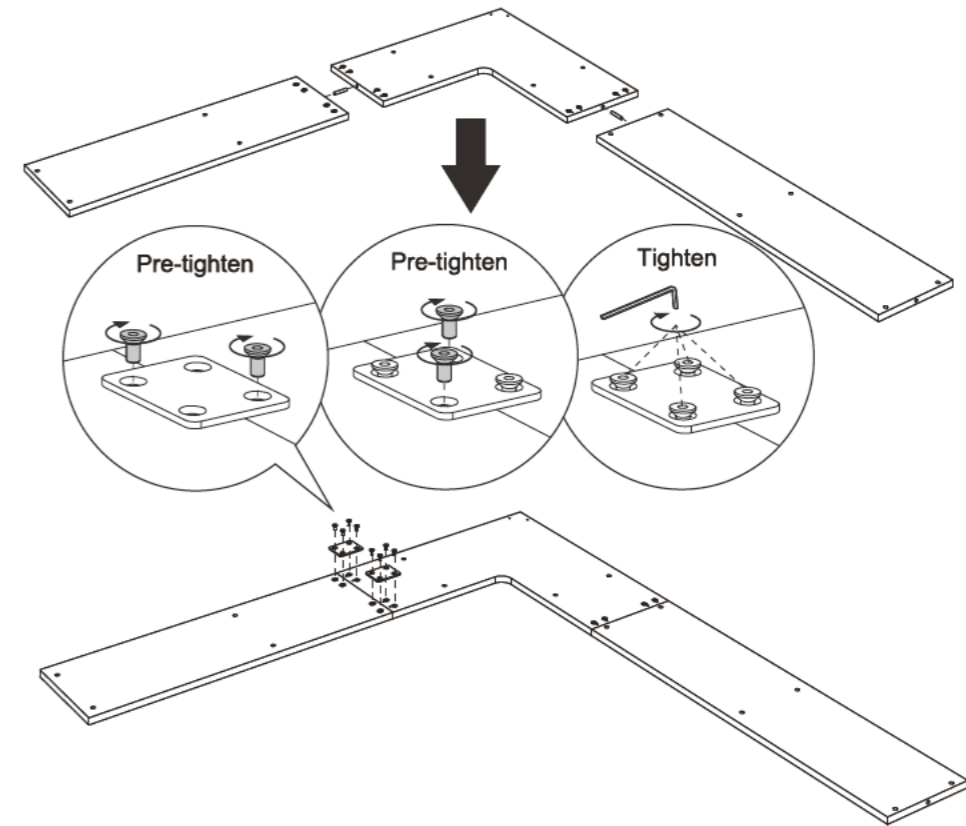
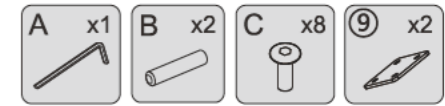
The screw installation order is as follows: ●→■→▲



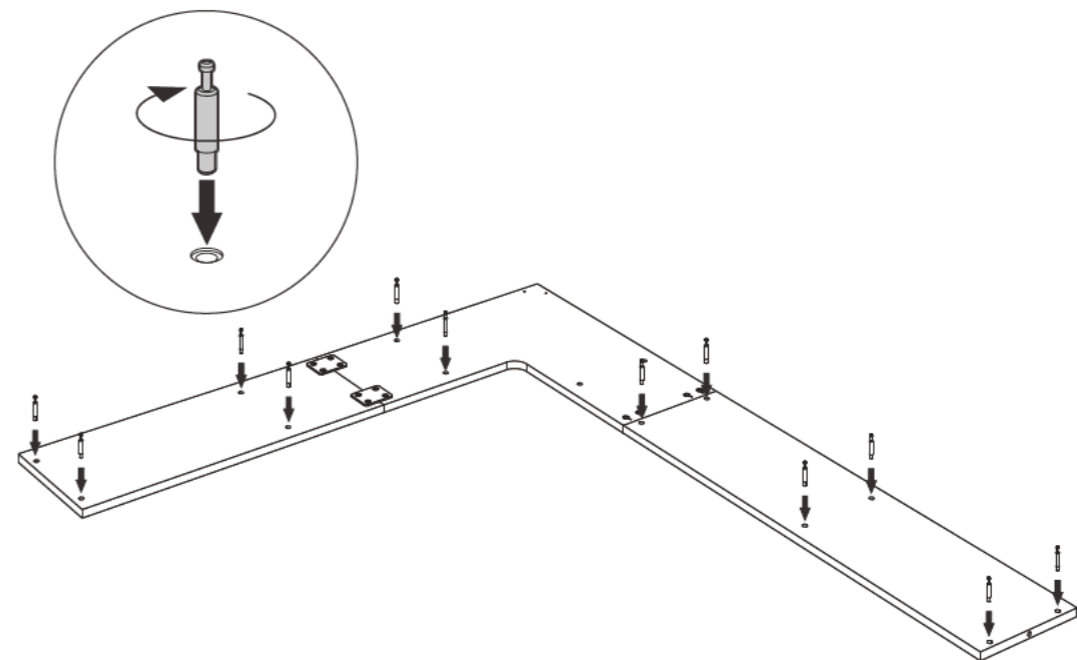
A-4 Install the drawer stopper



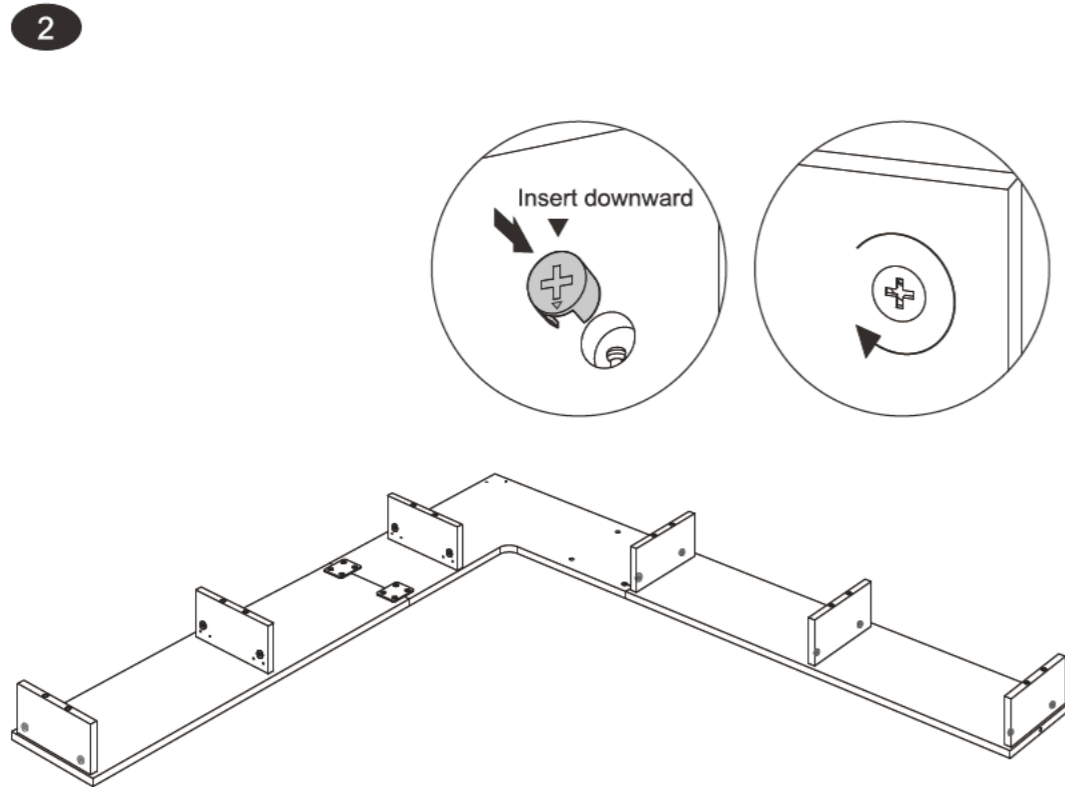
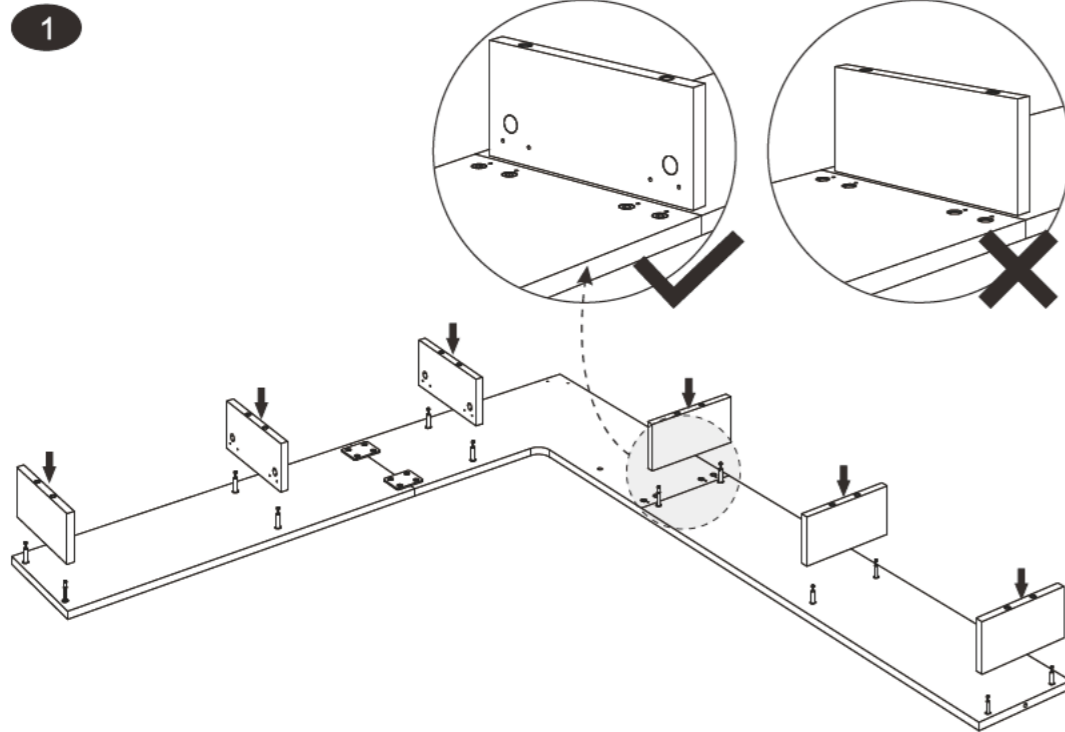
A-5 Join the storage shelves



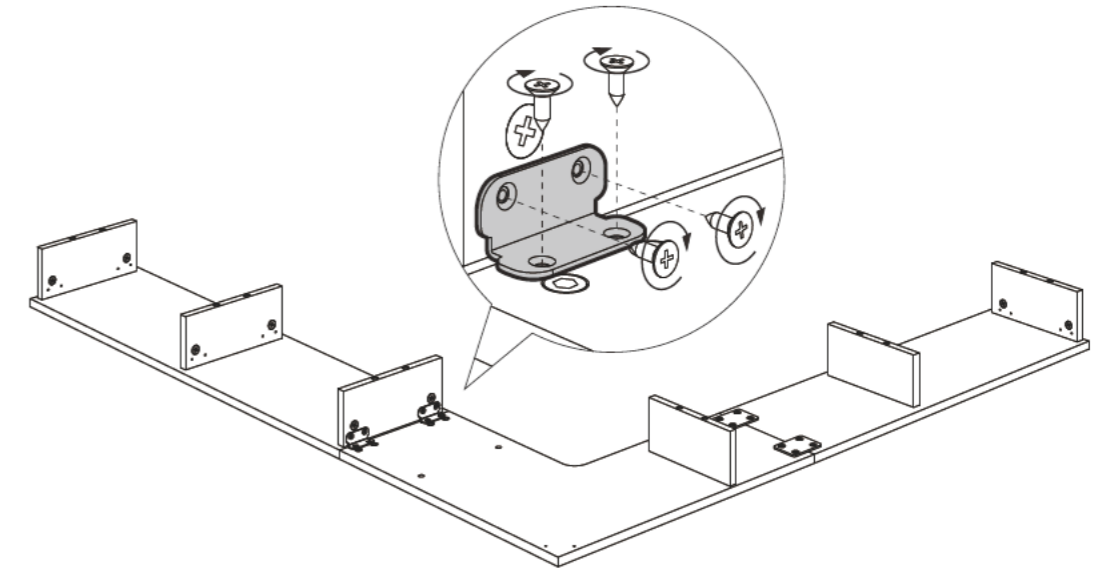
A-6 Install the three-in-one connector



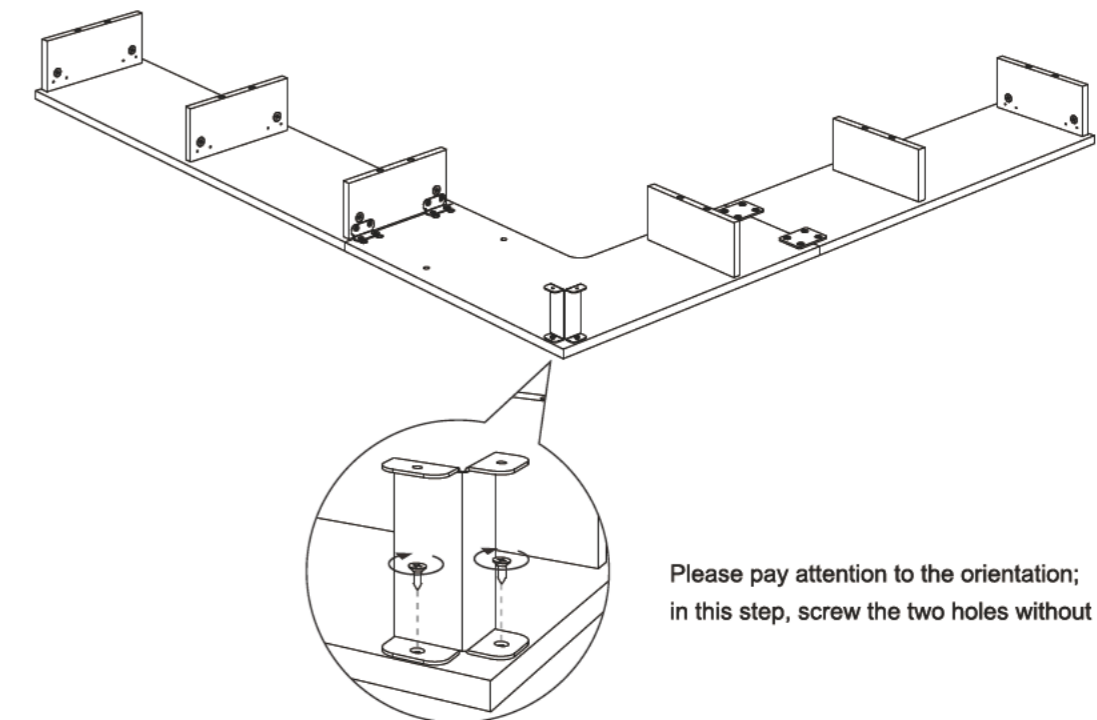
A-7 Install the partition



A-8 Install the storage shelf connectors

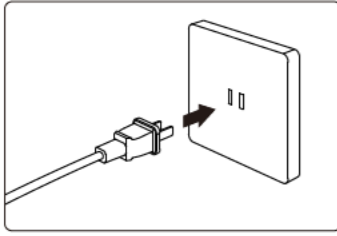


A-9 Install the right angle support

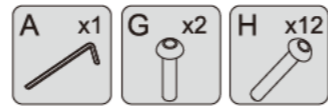


A-10 Install the storage rack assembly

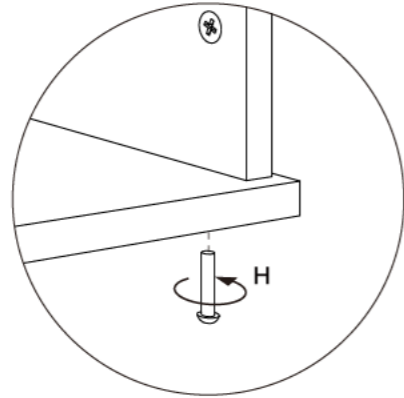
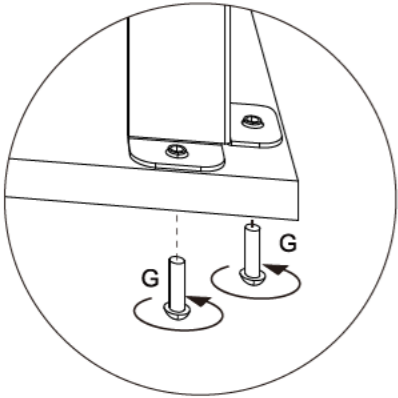
1



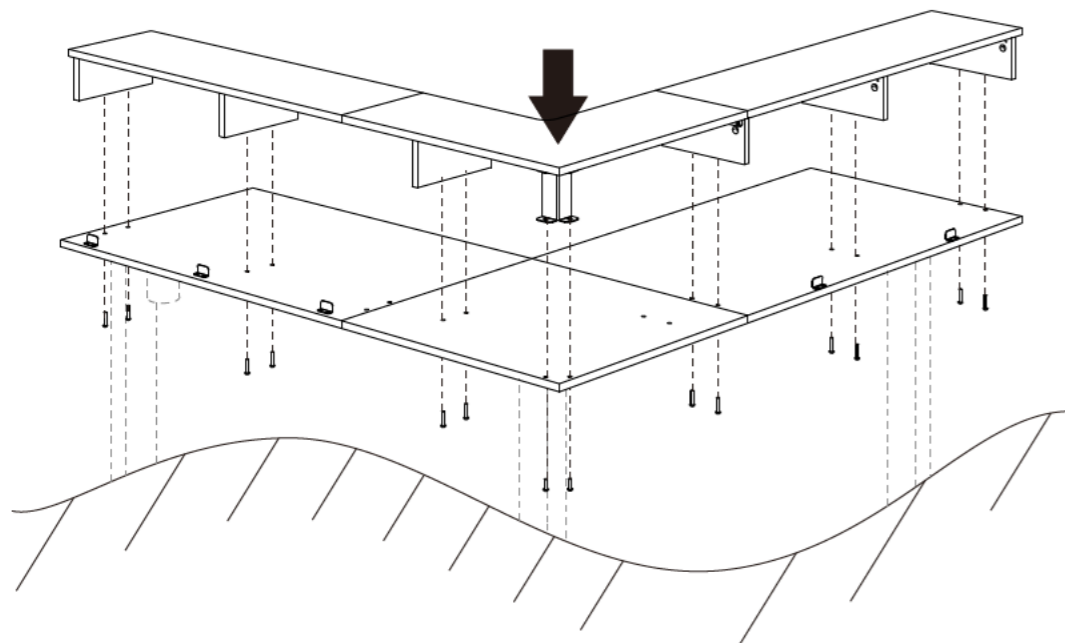
It is recommended to connect the power to raise the desk for installing the screws on the back of the desktop.



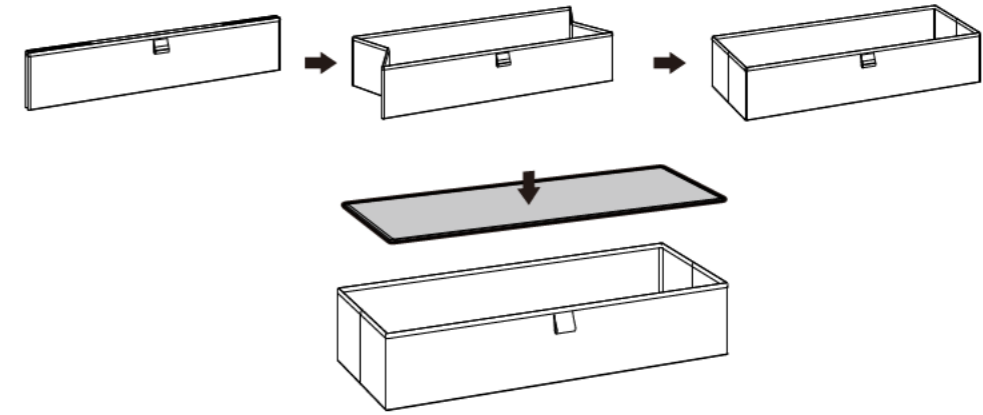
Do not tighten the screws initially; lightly adjust the position of the partition, pre-tighten all screws, and finally tighten all screws together.



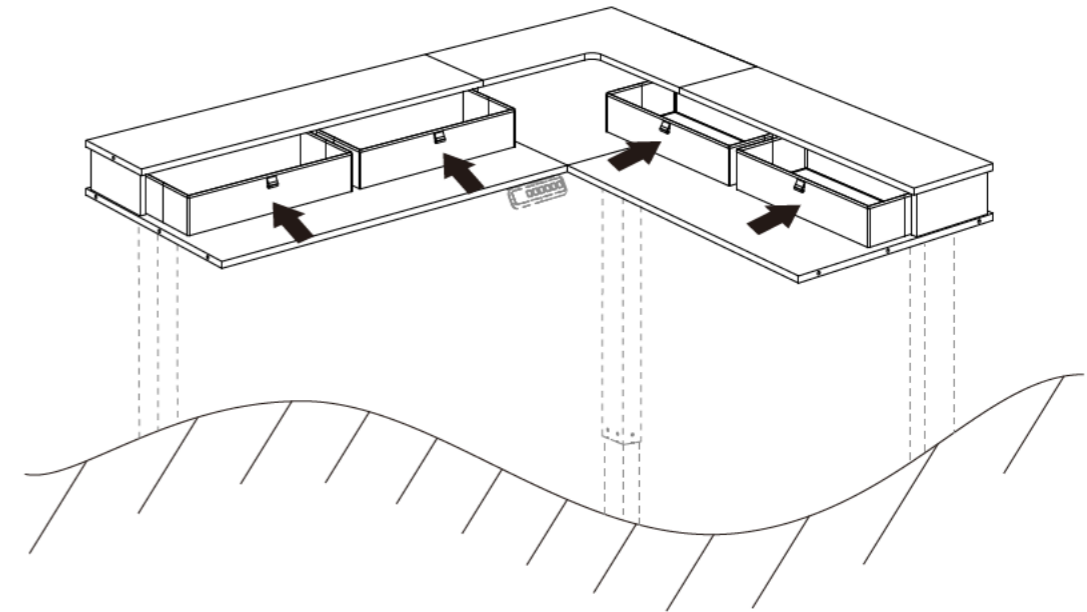
2



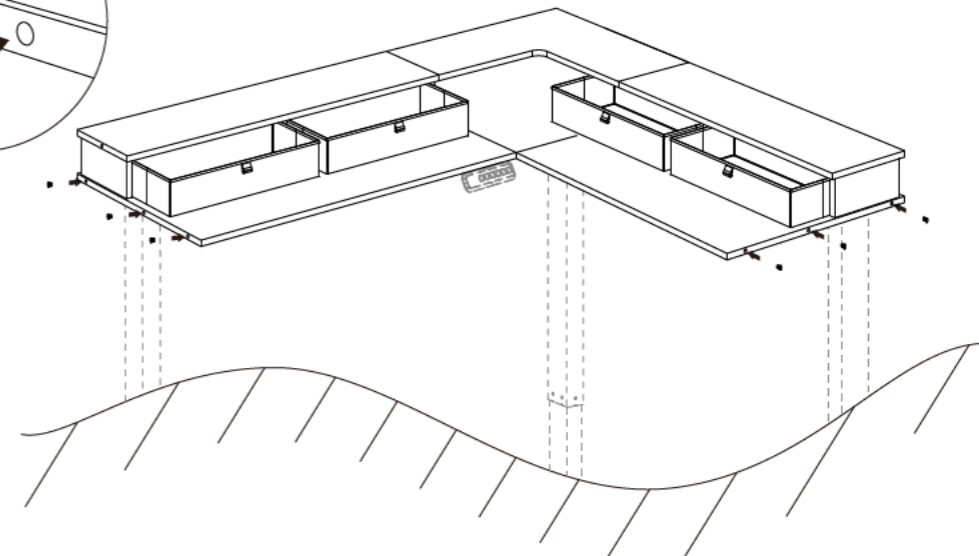
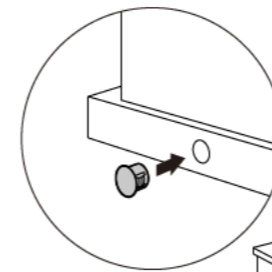
A-11 Expand the fabric drawer



A-12 Install the fabric drawers

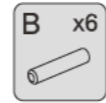
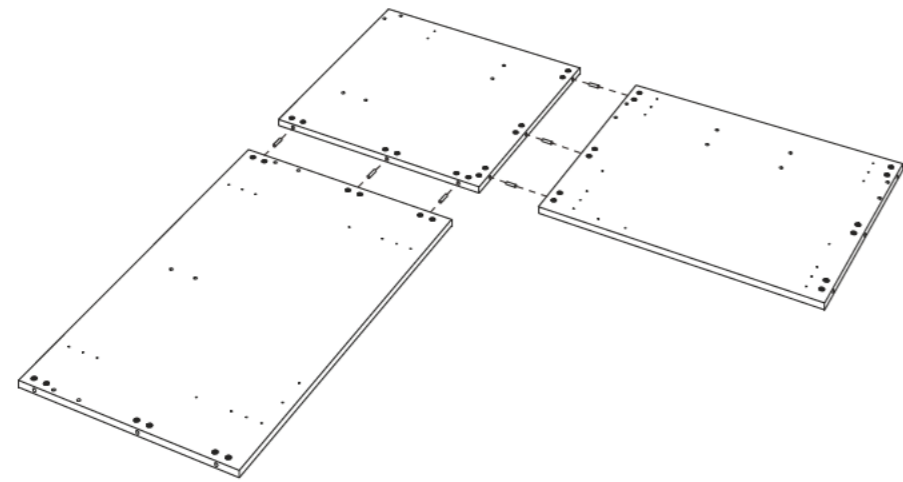


A-13 Install the hole plugs

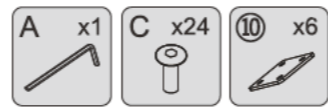


Assembly Steps - Plan B

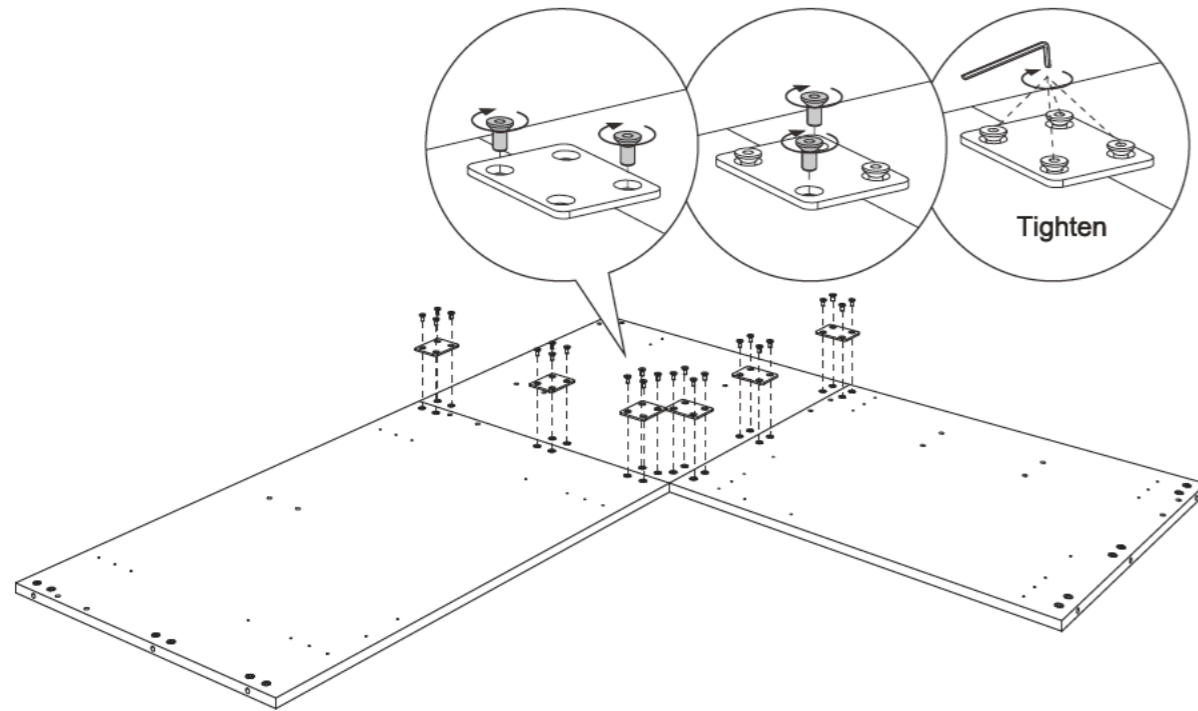
B-1 Insert wooden dowels



B-2 Joining the desktop panels



Diagonal Pre-Tightening

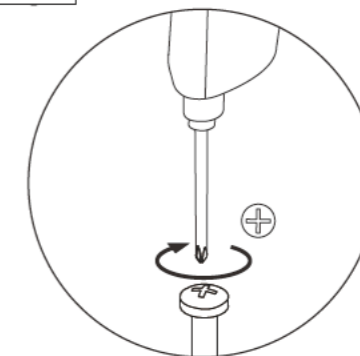
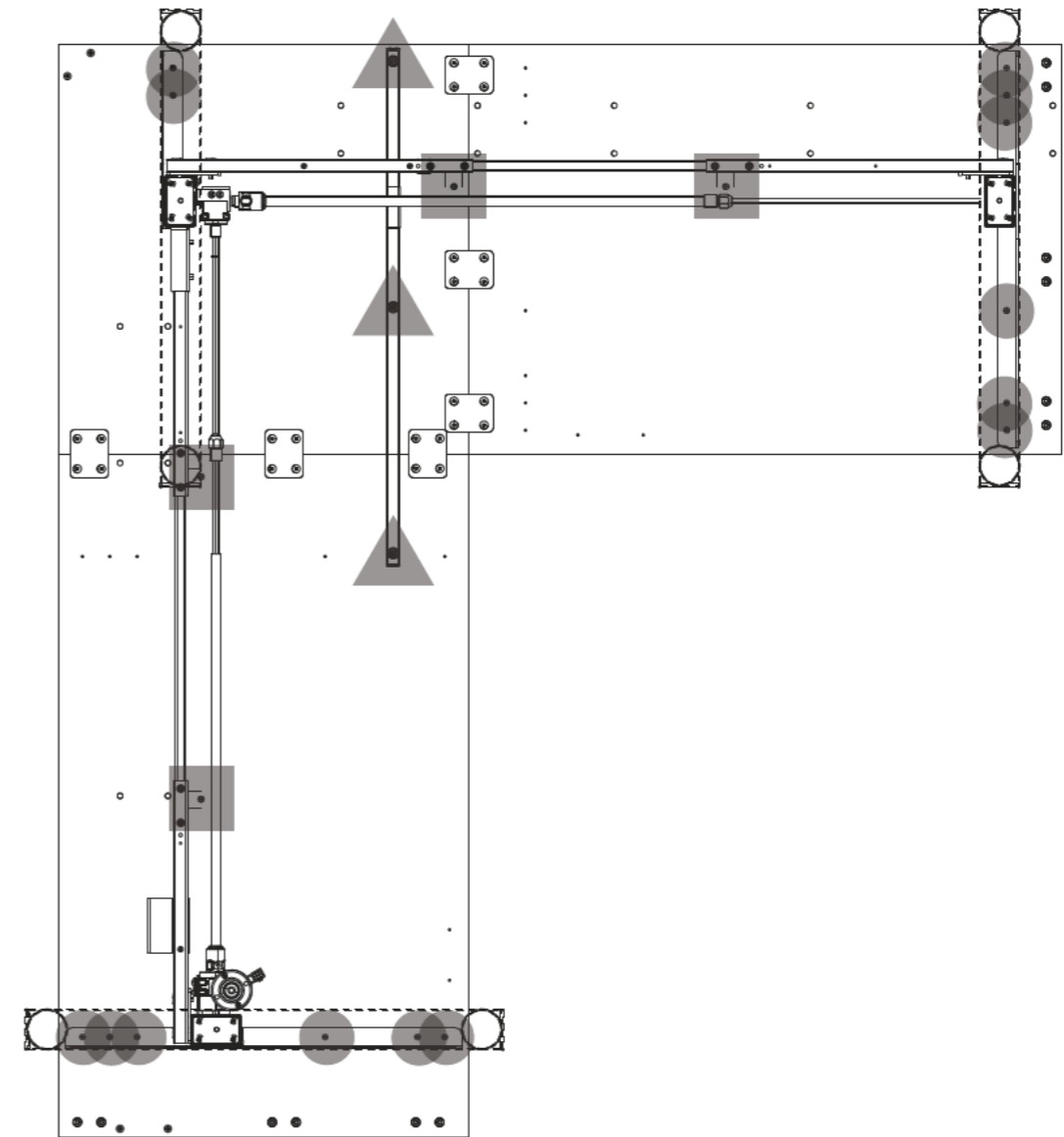


B-3 Install the Desktop

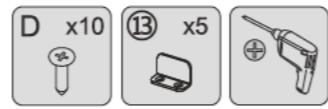


Before securing the desktop, adjust the desk frame's stretch length to fit the desktop. Please refer to the desk frame manual for specific instructions.

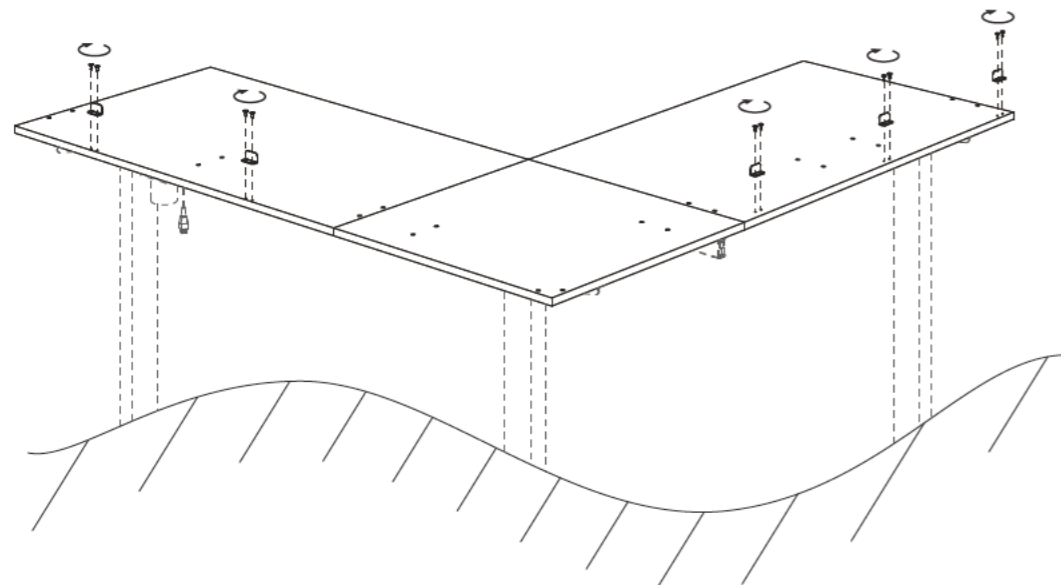
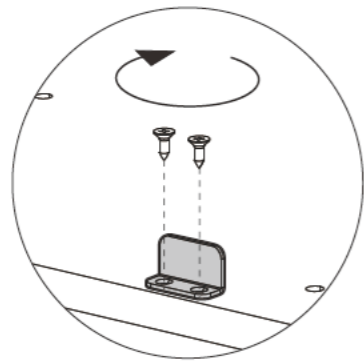
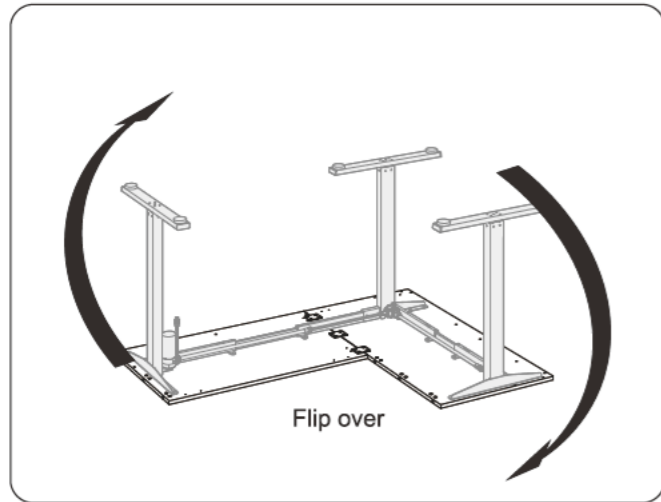
The screw installation order is as follows: ●→■→▲



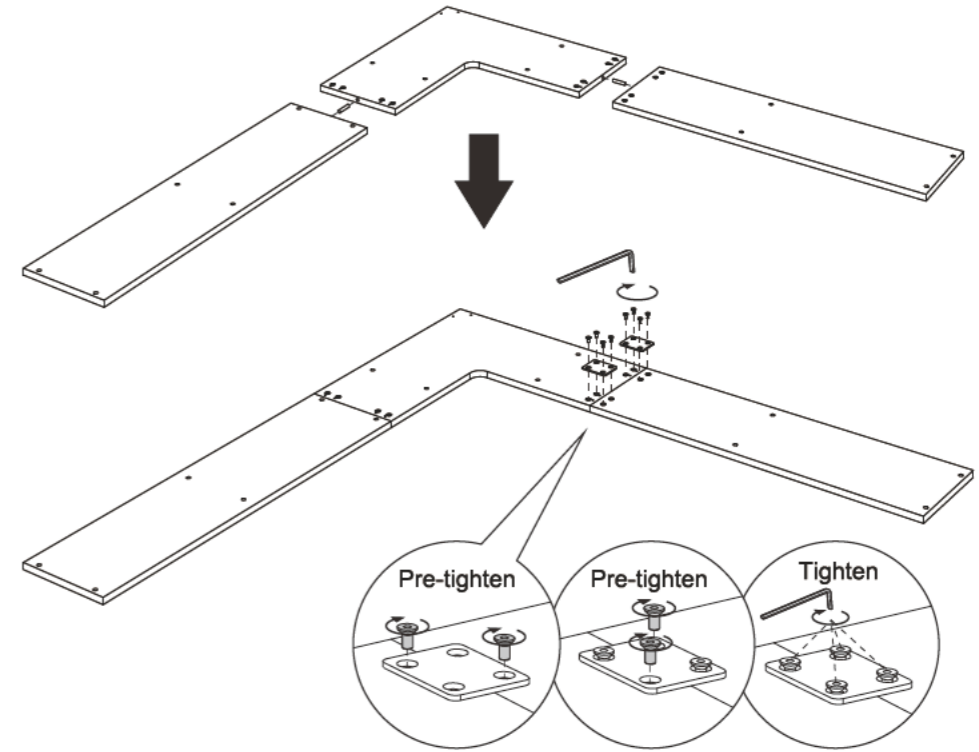
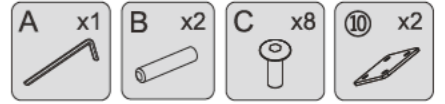
B-4 Install the drawer stopper



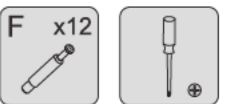
Self-Prepared



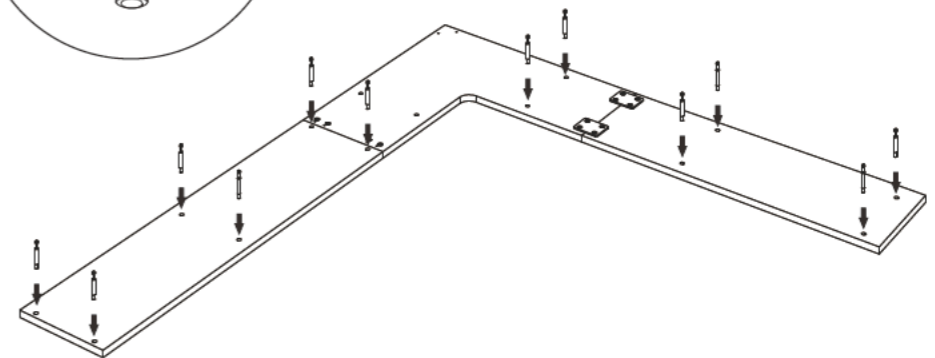
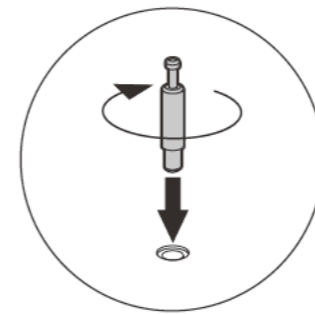
B-5 Join the storage shelves



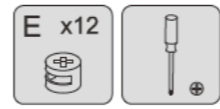
B-6 Install the three-in-one connector



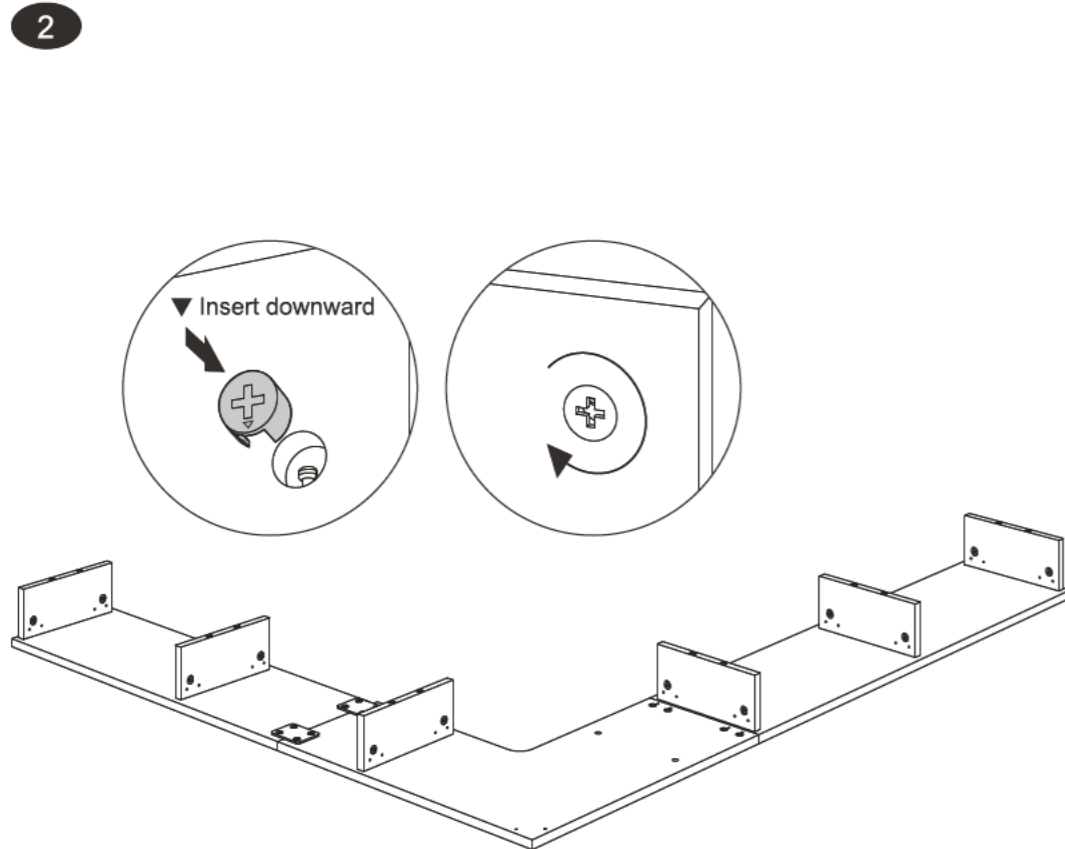
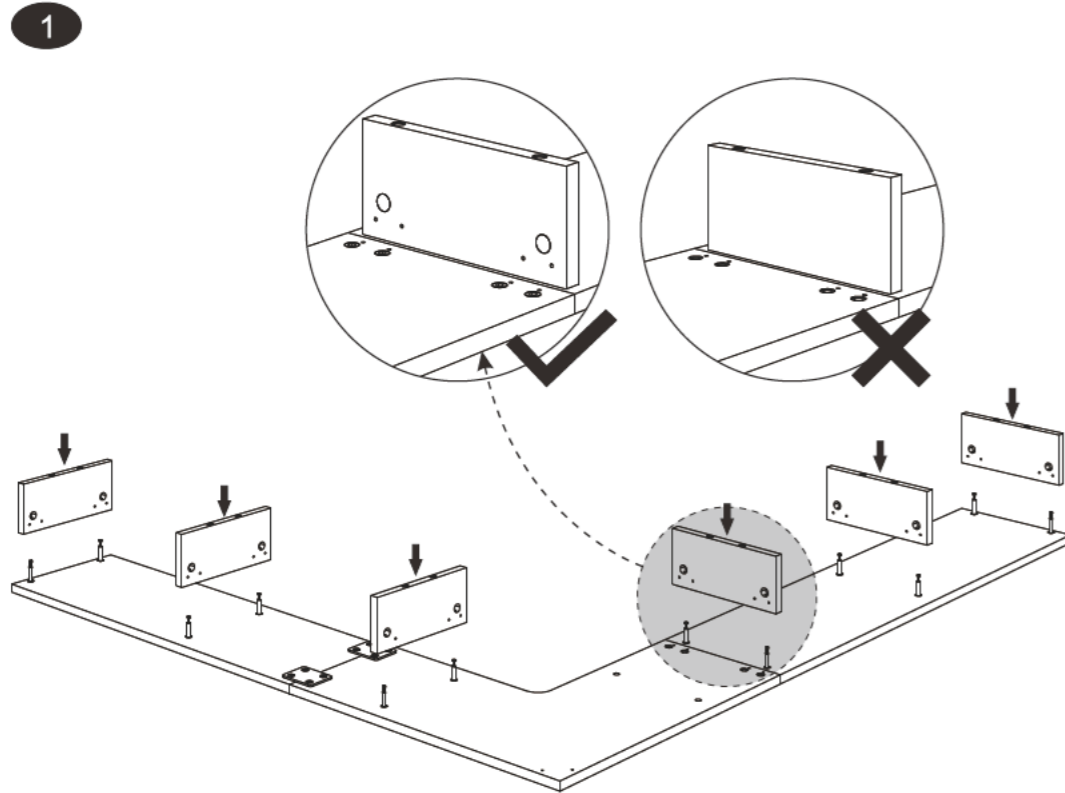
Self-Prepared



B-7 Install the partition



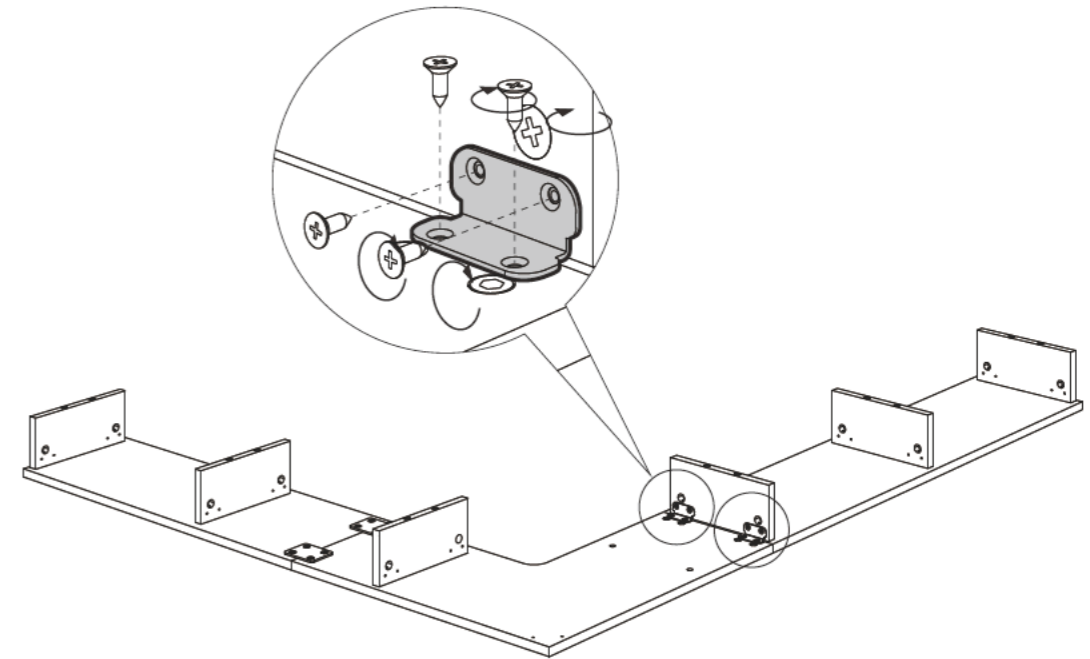
Self-Prepared



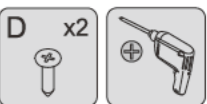
B-8 Install the storage shelf connectors



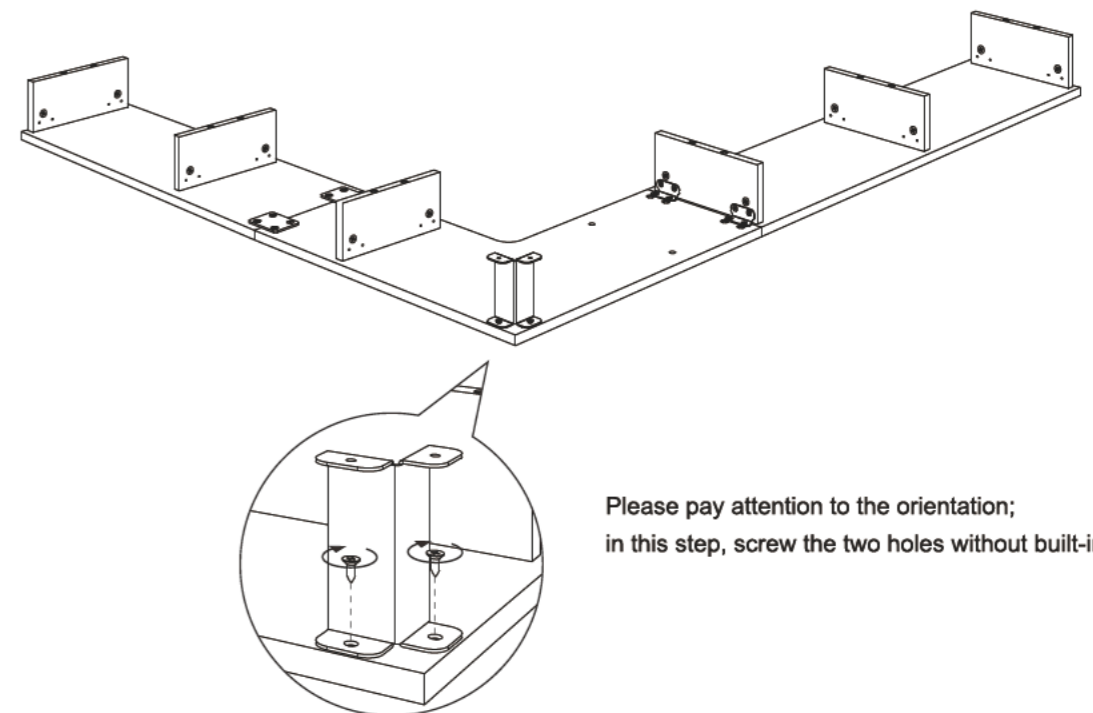
Self-Prepared



B-9 Install the right angle support

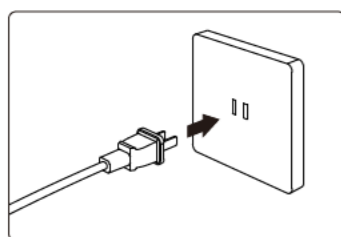


Self-Prepared



B-10 Install the storage rack assembly

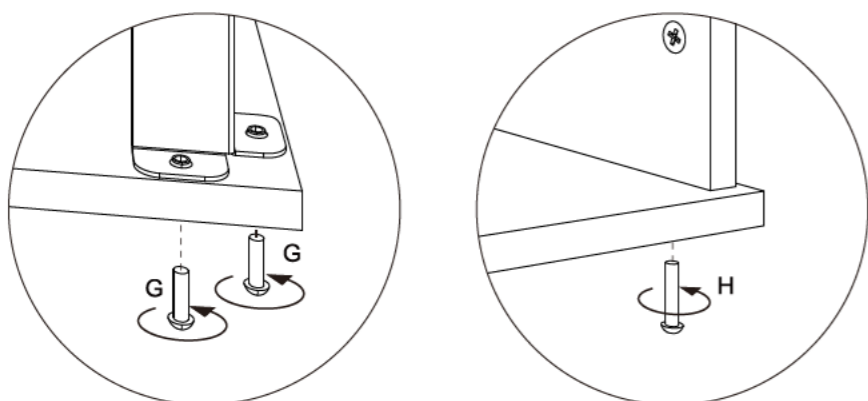
1



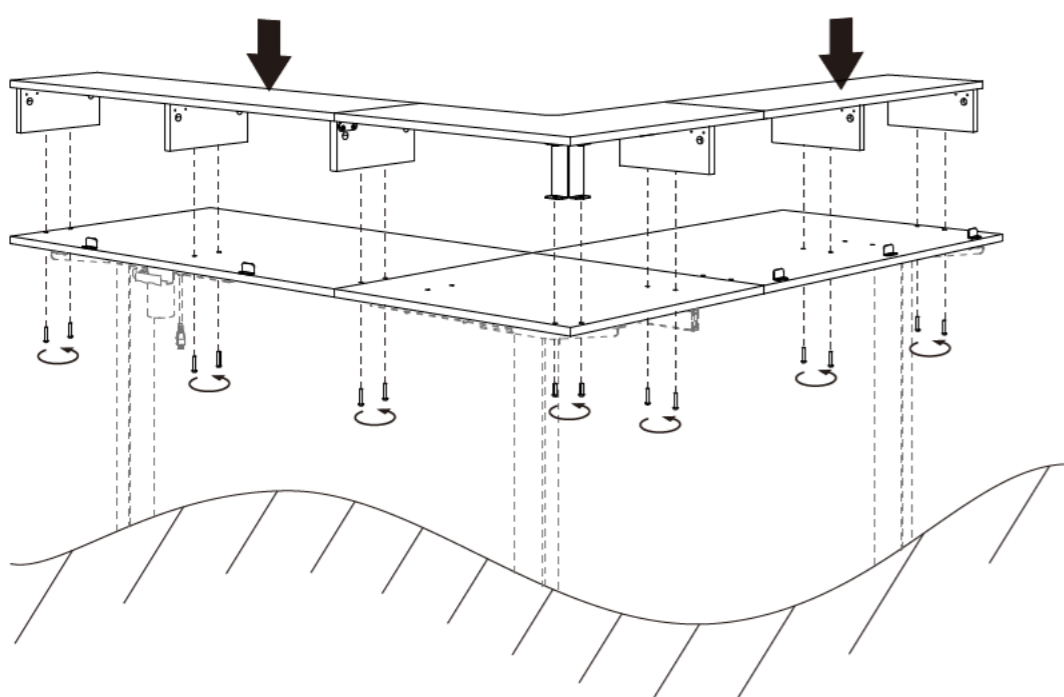
It is recommended to connect the power to raise the desk for installing the screws on the back of the desktop.



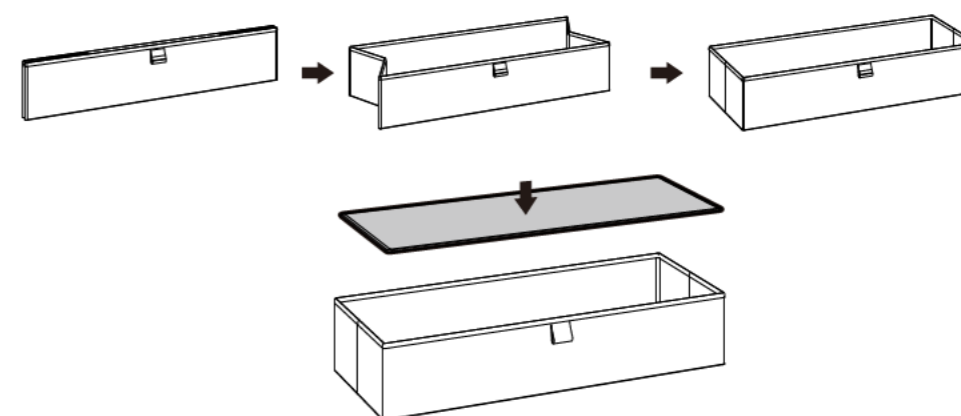
Do not tighten the screws initially; lightly adjust the position of the partition, pre-tighten all screws, and finally tighten all screws together.



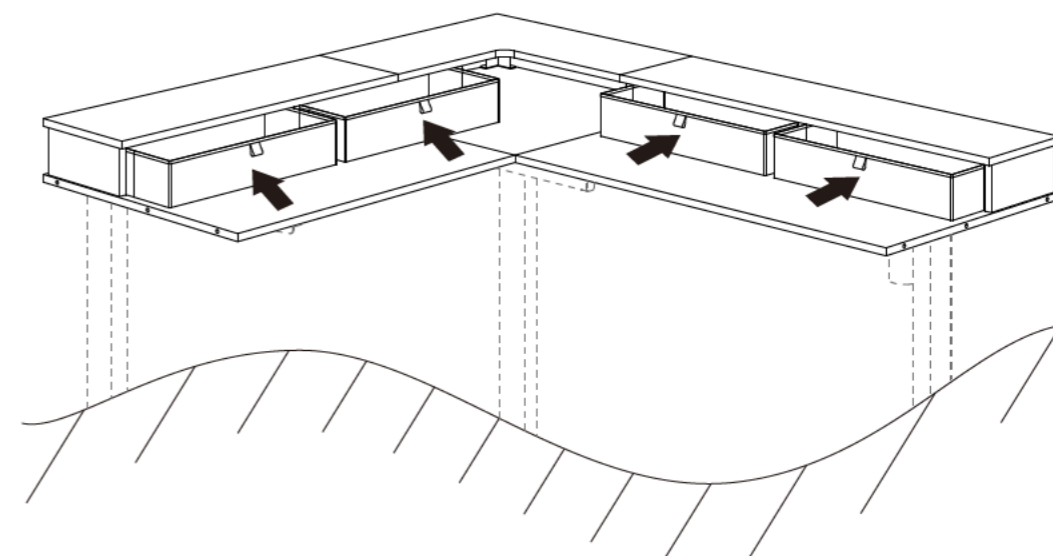
2



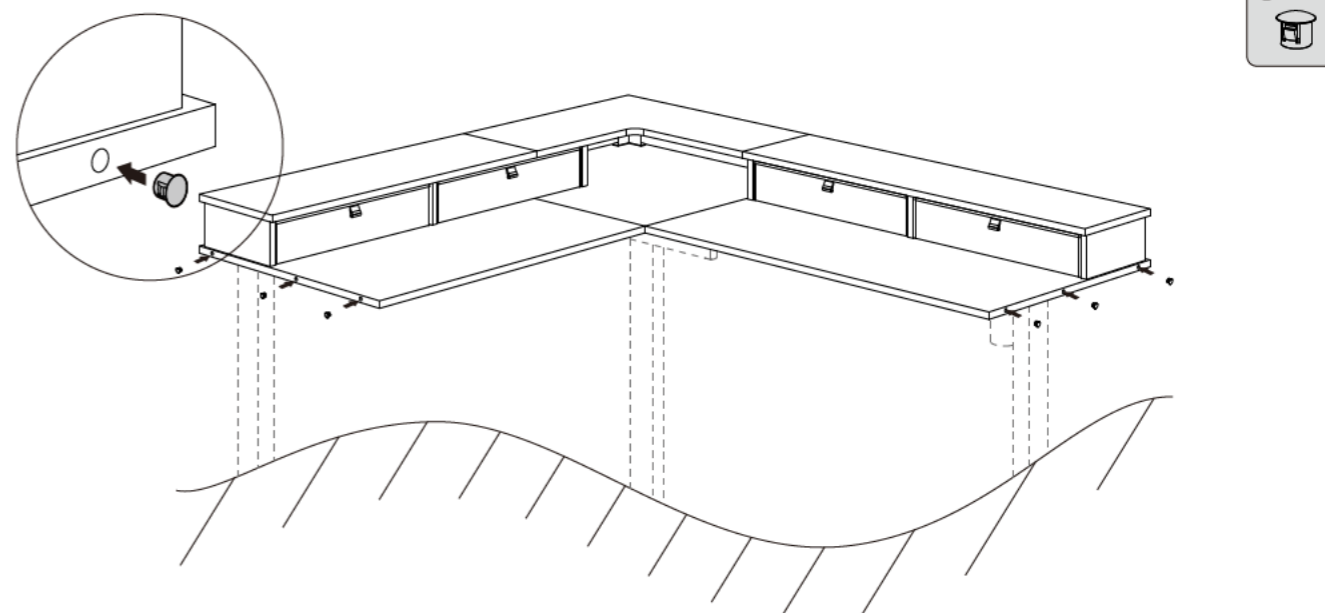
B-11 Expand the fabric drawer



B-12 Install the fabric drawers



B-13 Install the hole plugs



Attention



- Working environment: 32° - 104° F;
- Before cleaning, you have to unplug the power supply cable. Clean with a slightly damp cloth to wipe away the surface dust. Keep all electrical components away from liquids. Do not damage the connection line and keep the plug in a safe position.
- Inside the control box, there are electronic components, metal parts, plastic parts, wires and so on. They should be disposed in accordance with the local laws and regulations. They cannot be disposed as household waste.
- Before using the product, please make sure the product has been installed correctly.
- Before starting use of the product, please read the instructions to fully understand all the product's functions and settings.
- Keep children away from electric height-adjustable desks, control units and handsets. Manufacturer is not responsible of any damages that result from children's unpredictable behaviour.
- Slight noise caused by the multi wedge belt or brake system will not impact the use of this product.
- Do not use corrosive or abrasive materials to clean this product and please dispose of cleaning solutions in an environmentally friendly manner.
- Understand the risks associated with using this product. Children or those with cognitive impairment should not use this product without supervision.
- If the power supply cord is damaged or broken, it must be replaced by the manufacturer or a relevant specialist to avoid any injuries.
- Please operate in a clean and safe environment. For example, do not left around your tools. And always be careful to deal with packaging materials, in order to avoid any kinds of possible danger. Potential choking risk exists when children play with plastic bags!
- If necessary, retain the original package for future transportation.

Recycling and Disposal



This product cannot be disposed of as household waste. To prevent damage to the environment, this product should be recycled. Please use the relevant recycling systems available to you or contract the distributor or manufacturer for recycling assistance.

Limited Warranty

This limited warranty offered by _____ covers defects in material or workmanship in new products. This warranty extends to the original purchaser only and is non-transferable. Only consumers purchasing _____ products from authorized _____ retailers or resellers may benefit from our limited warranty.

What is Covered?

The _____ limited warranty covers our products against defects in material or workmanship:

- This desktop includes a 2-year warranty

What are your Remedies?

_____ will replace at no charge to the consumer the defective parts only or, at option, replace any product or part of the product that is defective because of improper workmanship and/or material, under normal installation, use, service and maintenance. If _____ is unable to provide a replacement and repair is not practical or cannot be completed in a timely fashion, _____ may elect to refund the purchase price in exchange for the return of the product. In the rare event that your _____ product is defective, we will provide you with a replacement item shipped at no cost to you within the continental United States. The shipping method for replacement products is FedEx Ground, but expedited shipping is available if you choose to pay the additional expense. In addition, you will need to pay the shipping costs if any products need to be shipped to you at an address outside the continental United States.

REPAIR OR REPLACEMENT (OR, IN LIMITED CIRCUMSTANCES, REFUND OF THE PURCHASE PRICE) AS PROVIDED UNDER THIS WARRANTY IS THE EXCLUSIVE REMEDY OF THE PURCHASER. FLEXISPOT NEITHER ASSUMES NOR AUTHORIZES ANY PERSON TO CREATE FOR IT ANY OTHER OBLIGATION OR LIABILITY IN CONNECTION WITH THIS PRODUCT.

What is Not Covered?

Our limited warranty does not cover any problem that is caused by:

1. Conditions, malfunctions or damage not resulting from defects in material or workmanship.
2. Conditions, malfunctions or damage resulting from normal wear and tear, improper installation, improper maintenance, misuse, abuse, negligence, accident or alteration.
3. Accessories, connected materials and products, or related products not manufactured by FlexiSpot.
4. Conditions, malfunctions or damage resulting from failure to follow the instructions and guidelines relating to the product's intended use.

Our limited warranty is void if a product is returned with removed, damaged or tampered labels or any alterations (including removal of any component or external cover).

Limited Warranty

Implied Warranties and Limitation of Damages

EXCEPT TO THE EXTENT PROHIBITED BY APPLICABLE LAW, ALL IMPLIED WARRANTIES (INCLUDING WARRANTIES OF MERCHANTABILITY AND FITNESS FOR A PARTICULAR PURPOSE) SHALL BE LIMITED IN DURATION TO THE DURATION OF THIS WARRANTY, AND FLEXISPOT SHALL NOT BE LIABLE FOR ANY INCIDENTAL, INDIRECT, SPECIAL, OR CONSEQUENTIAL DAMAGES, INCLUDING BUT NOT LIMITED TO LOSS OF PROFITS OR REVENUE, RESULTING FROM ANY BREACH OF EXPRESS OR IMPLIED WARRANTY OR CONDITION, OR UNDER ANY OTHER LEGAL THEORY, EVEN IF FLEXISPOT HAS BEEN ADVISED OF THE POSSIBILITY OF SUCH DAMAGES. Some jurisdictions do not allow limitations on the duration of an implied warranty or the exclusion or limitation of special, indirect, incidental or consequential damages, so the above limitations or exclusions may not apply to you.

Governing Law

This Warranty shall be governed by the laws of the State of California, USA, without giving effect to any conflict of laws principles that may provide the application of the law of another jurisdiction.

How State Law Applies

This Warranty gives you specific legal rights, and you may also have other rights which vary from state to state.