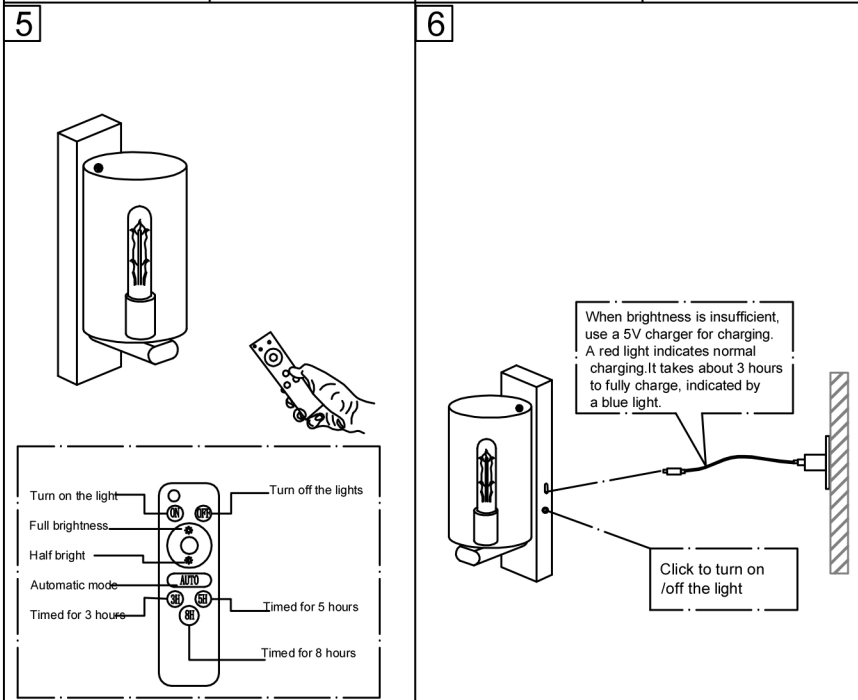
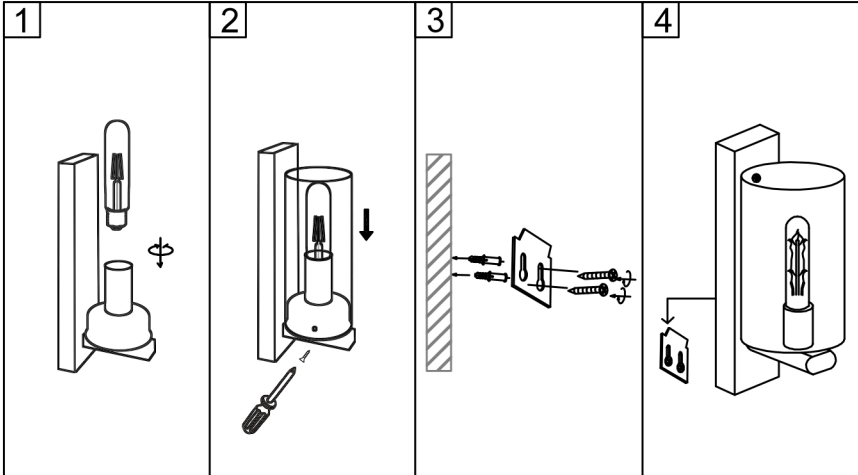
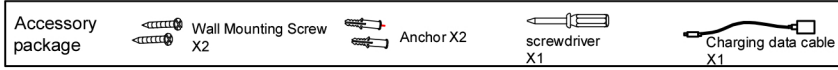


# Installation Instructions

## PREPARATION

Prior to commencing assembly, installation, or operation of the product, ensure that all components are present. Compare the components with the contents list and diagram provided on this page. If any component is missing or damaged, refrain from attempting assembly, installation, or operation of the product. Please contact customer service for replacement parts.



# Installation Instructions

## PREPARATION

Prior to commencing assembly, installation, or operation of the product, ensure that all components are present. Compare the components with the contents list and diagram provided on this page. If any component is missing or damaged, refrain from attempting assembly, installation, or operation of the product. Please contact customer service for replacement parts.

