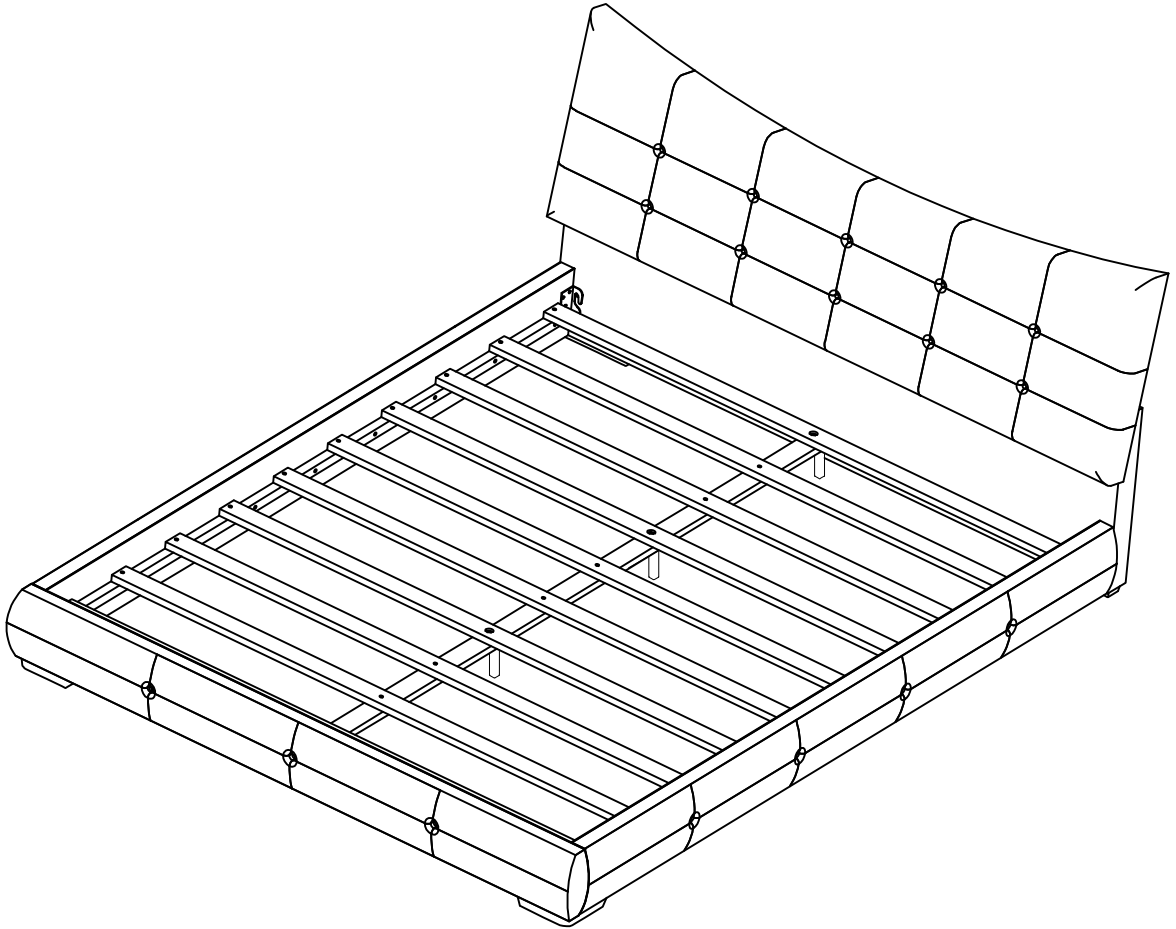
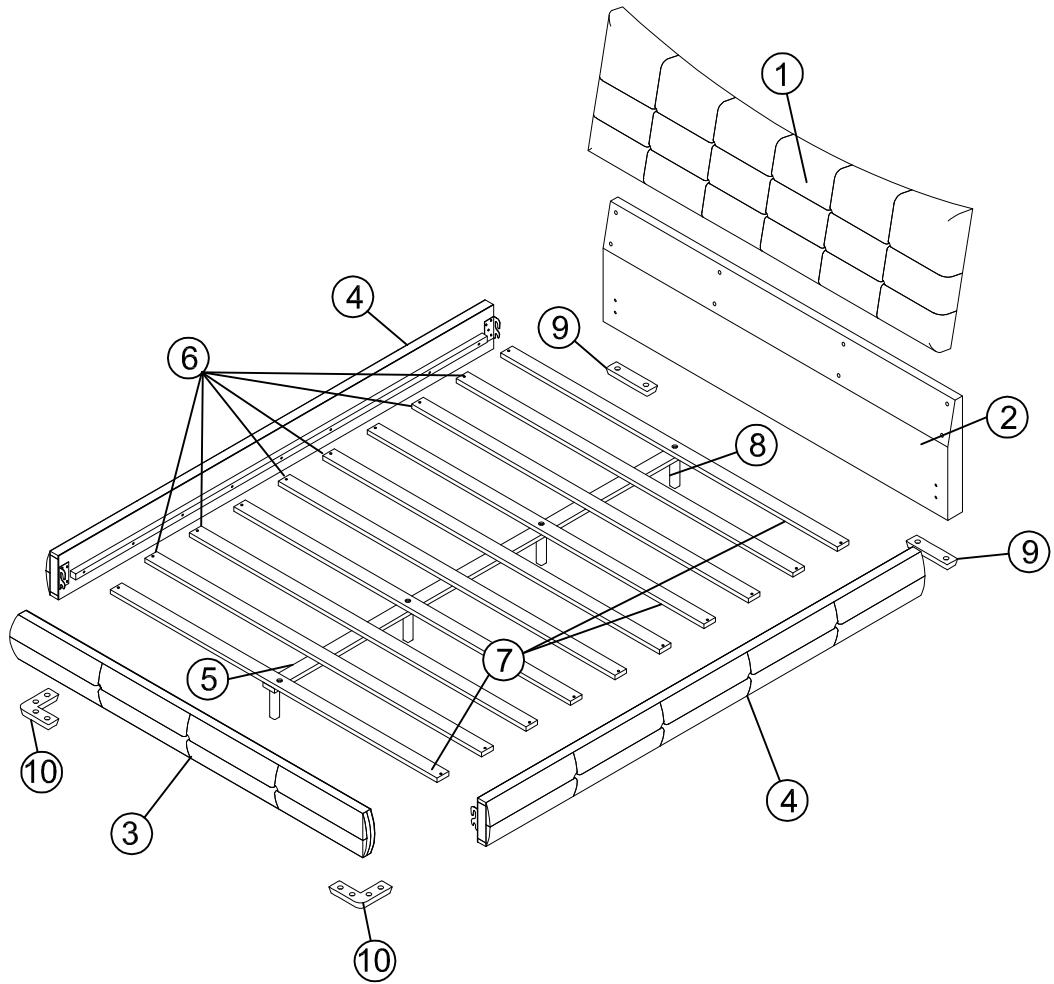


N701P170453  
N701P170456



## ASSEMBLY INSTRUCTIONS

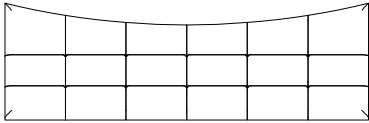


# PARTS

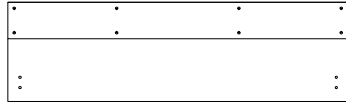
check that you've received  
all parts listed below

BOX:1/2  
N701P170453

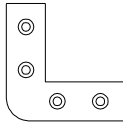
① (1PC)



② (1PC)



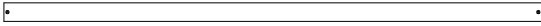
⑩ (2PCS)



⑨ (2PCS)



⑥ (6PCS)



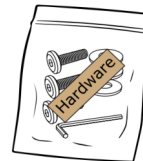
⑦ (4PCS)



⑧ (4PCS)



HARDWARE



# PARTS

check that you've received  
all parts listed below

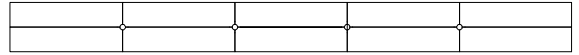
BOX:2/2  
N701P170456

---

③ (1PC)



④ (2PCS)







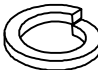

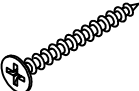
⑤ (1PCS)



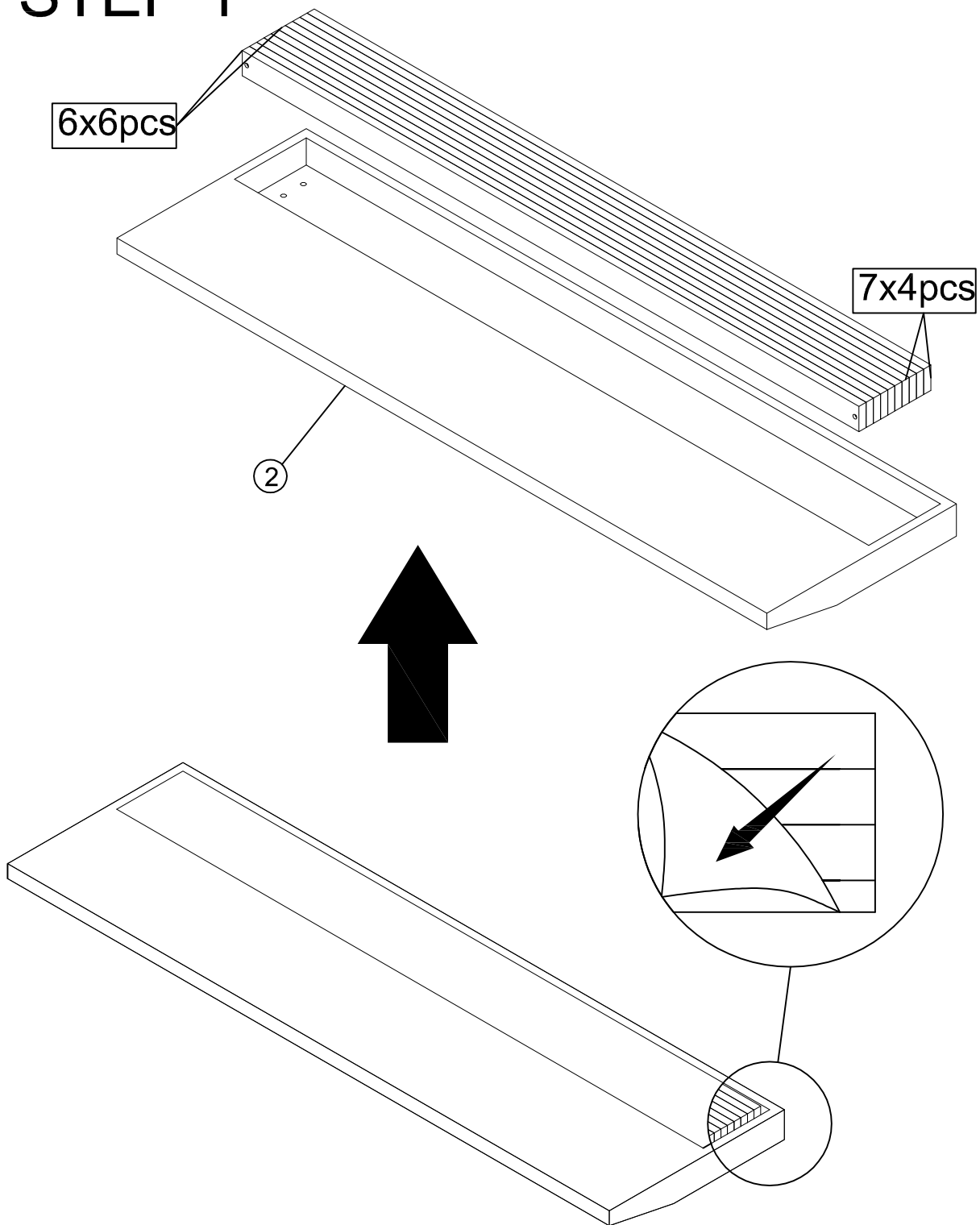
# HARDWARE

check that you've received  
all parts listed below

## Hardware List

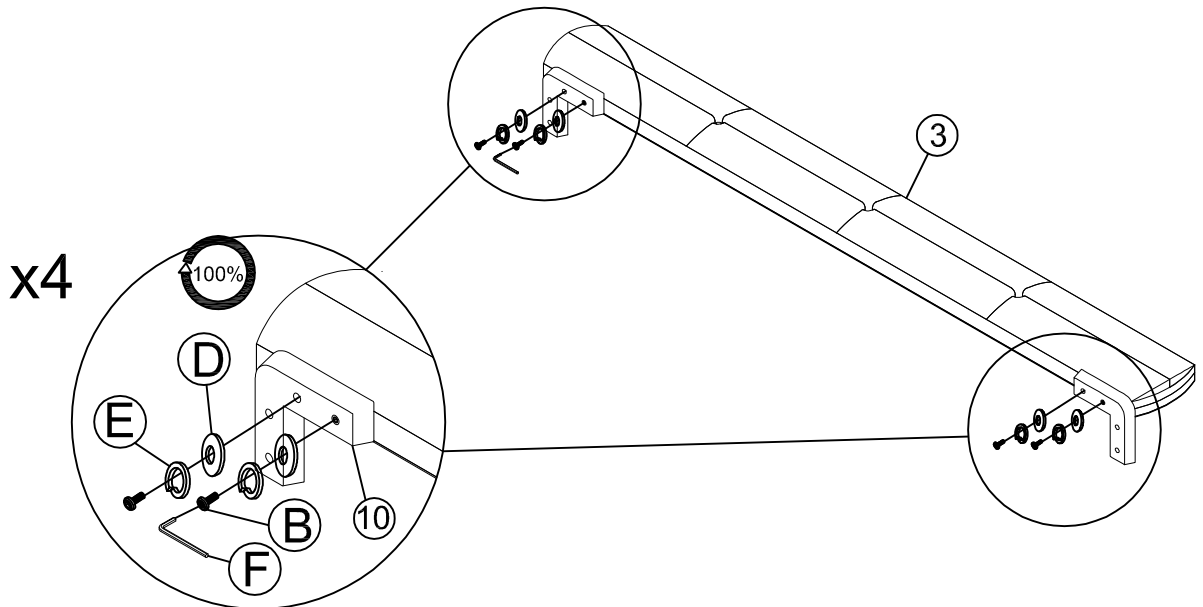
NO	OUTLOOK	DESC	QTY
A		Bolts $\varnothing \frac{5}{16}$ " x 35 mm	8 pcs
B		Bolts $\varnothing \frac{5}{16}$ " x 45 mm	16pcs
C		Bolts $\varnothing \frac{5}{16}$ " x 70 mm	4pcs
D		Plain washer $\varnothing 19 \times 1.5$ mm	28 pcs
E		Spring washer $\varnothing 13 \times 1$ mm	28 pcs
F		Allen key 80x30x4 mm	1 pc
G		Screws $\varnothing 4 \times 30$ mm	20 pcs

# STEP 1



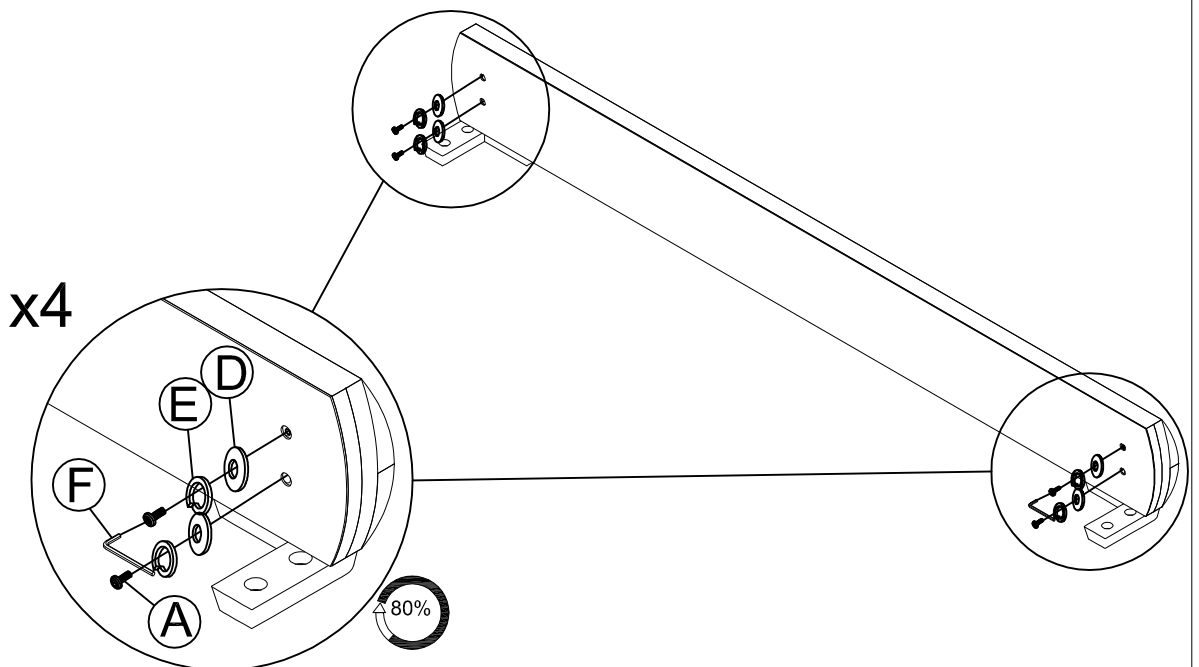
# STEP 2

B x 4	D x 4	E x 4	F x 1	
-------	-------	-------	-------	--



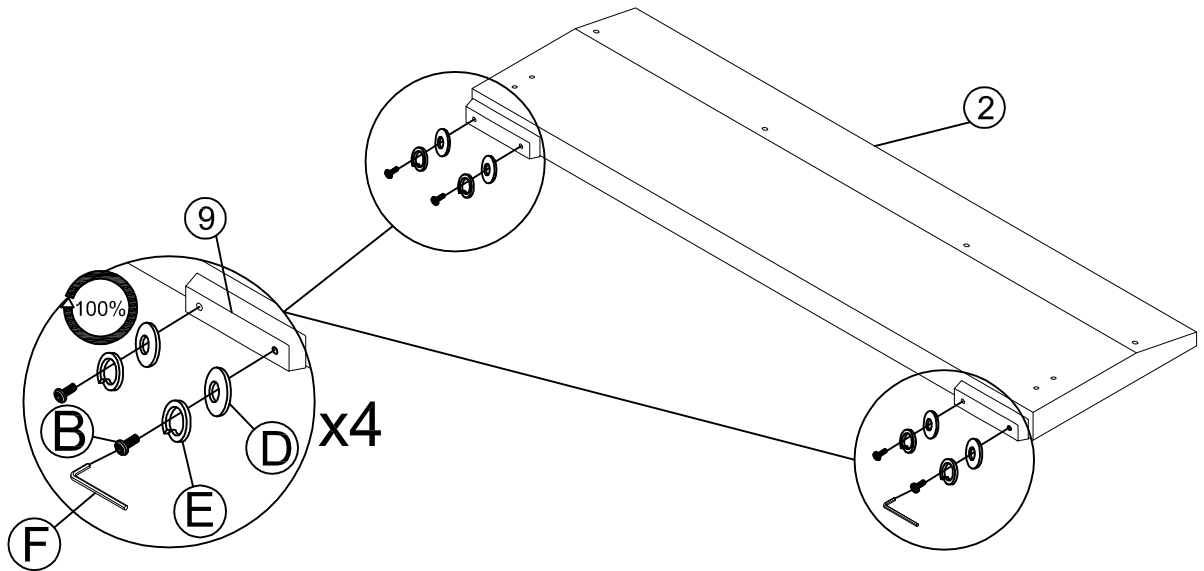
# STEP 3

A x 4	D x 4	E x 4	F x 1	
-------	-------	-------	-------	--



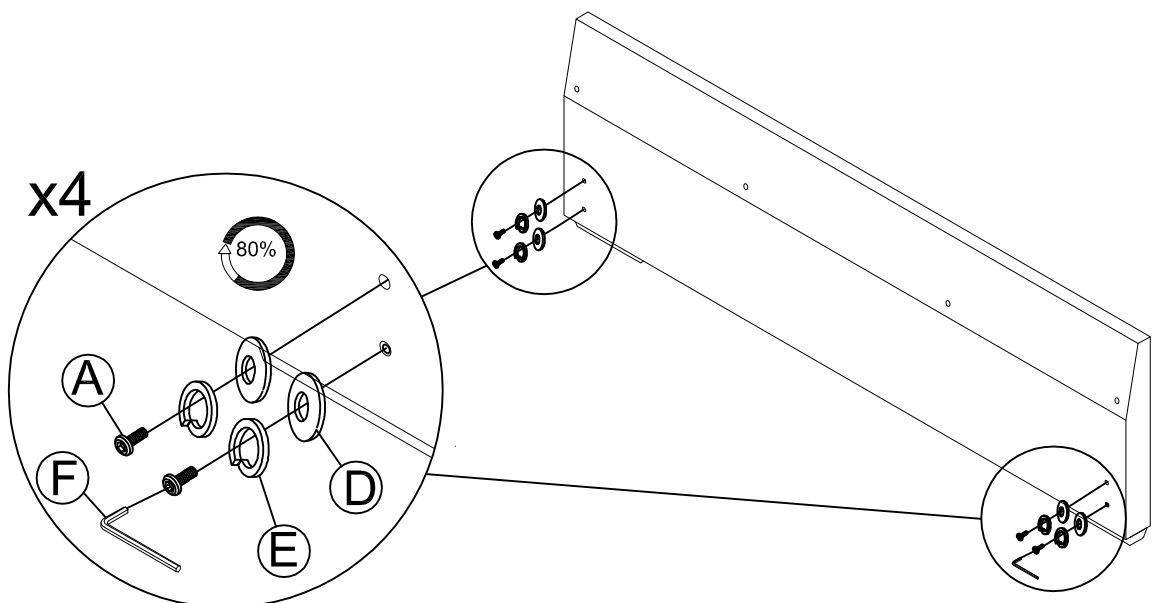
# STEP 4

B x 4	D x 4	E x 4	F x 1	
-------	-------	-------	-------	--

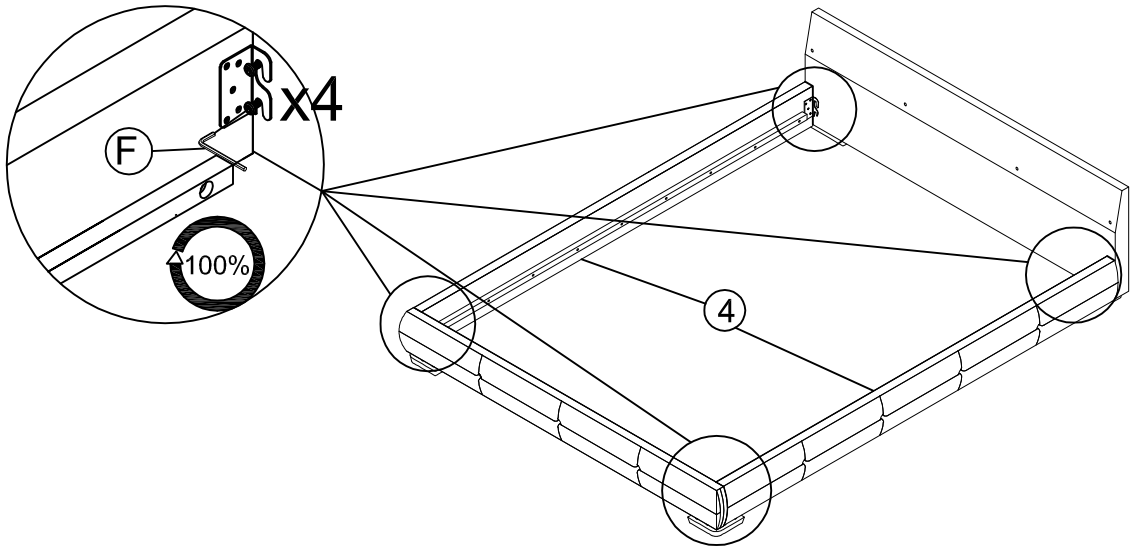
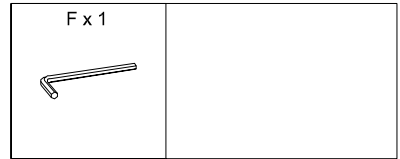


# STEP 5

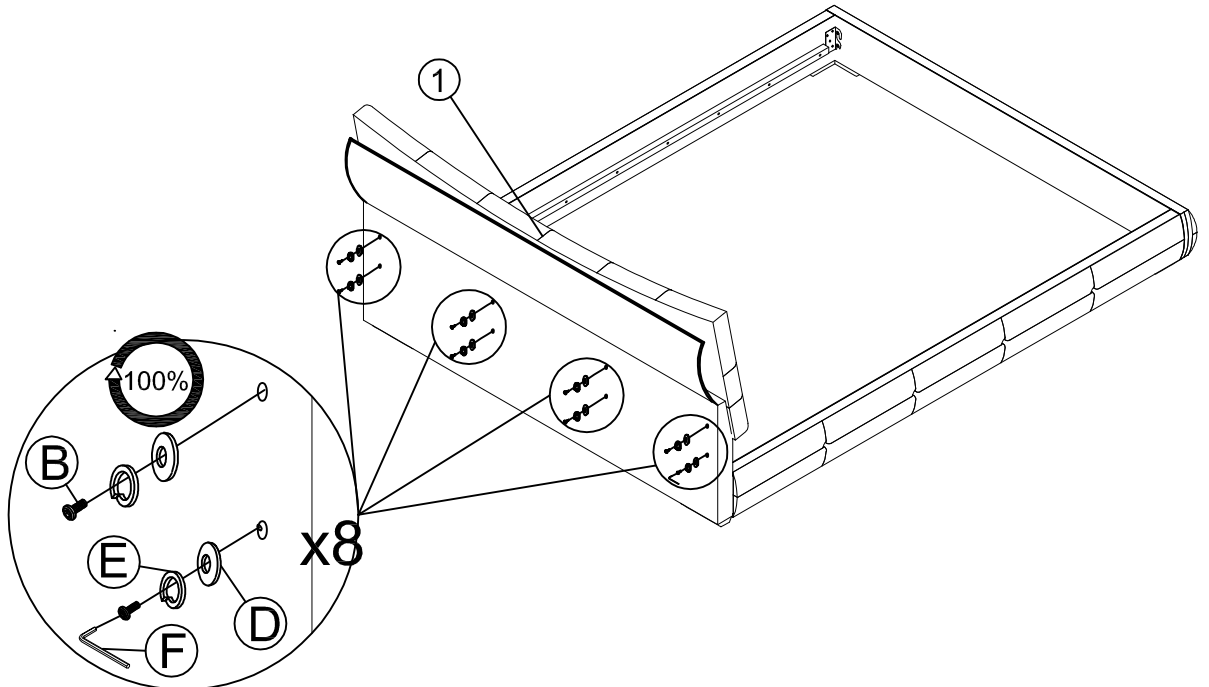
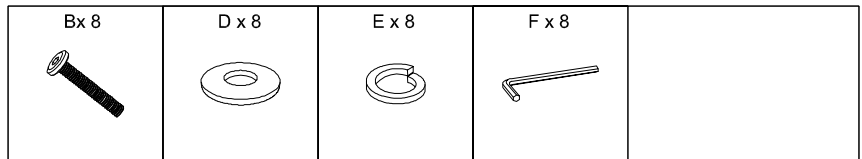
A x 4	D x 4	E x 4	F x 1	
-------	-------	-------	-------	--





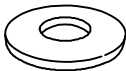


# STEP 6

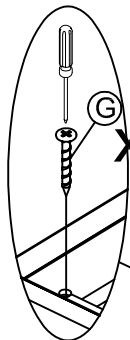


# STEP 7

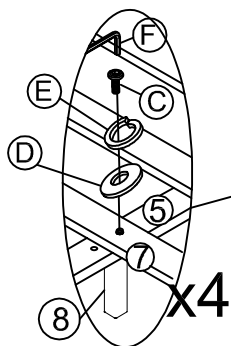


# STEP 8

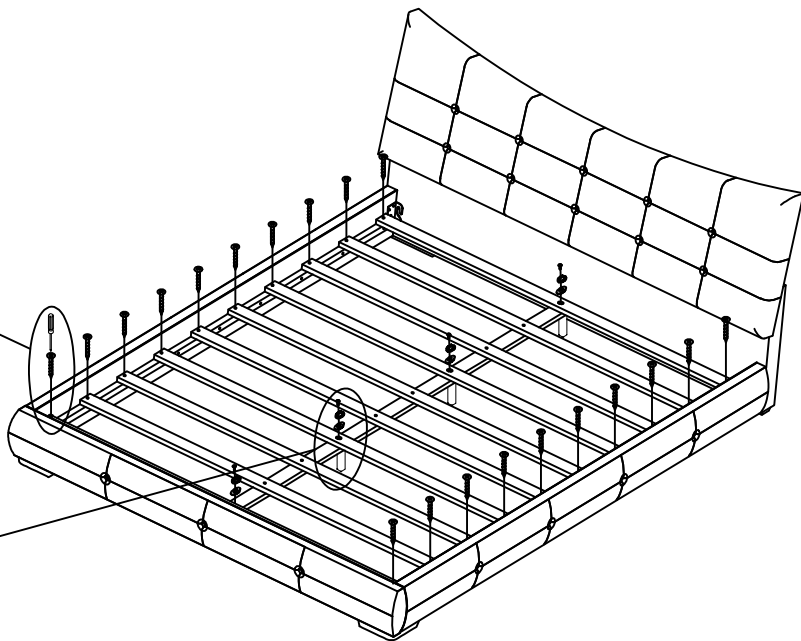
Gx20 	Cx4 	Dx4 	Ex4 	Fx1 
---	--	--	--	--



x20



x4



## finish

