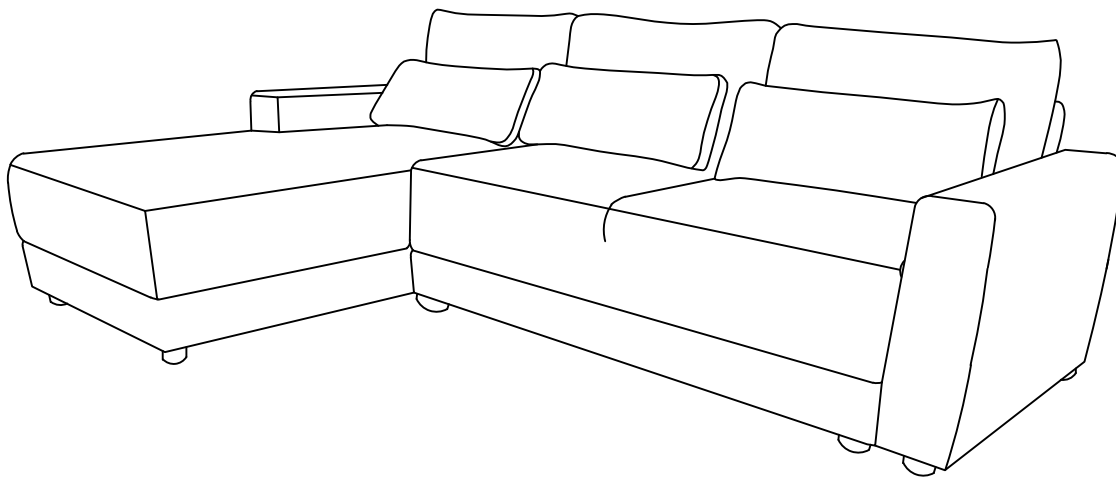


ASSEMBLY INSTRUCTIONS

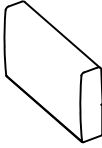
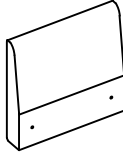
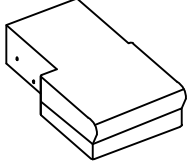
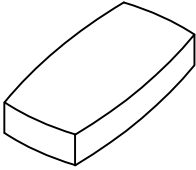
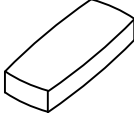
IMPORTANT NOTE

- ** Place all parts on a lean and smooth surface such as a rug or carpet to avoid the parts from being scratched.
- ** Before you begin, please review the assembly instruction step by step.
- ** Return & Warranty policy:
 - We strive to offer the highest quality products. We also provide positive solutions with replacements or refund if needed.
 - If the item is damaged or defective, please take photos to show the problem and email to the seller.
 - Please do not return back the products before contact the seller.

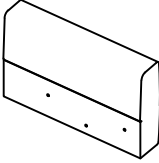
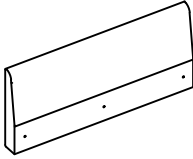
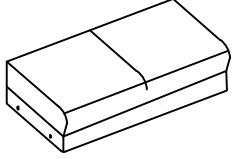
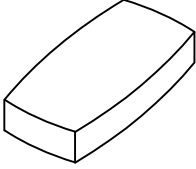
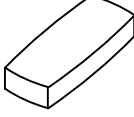
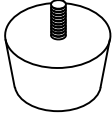

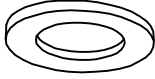
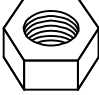



ASSEMBLY INSTRUCTIONS

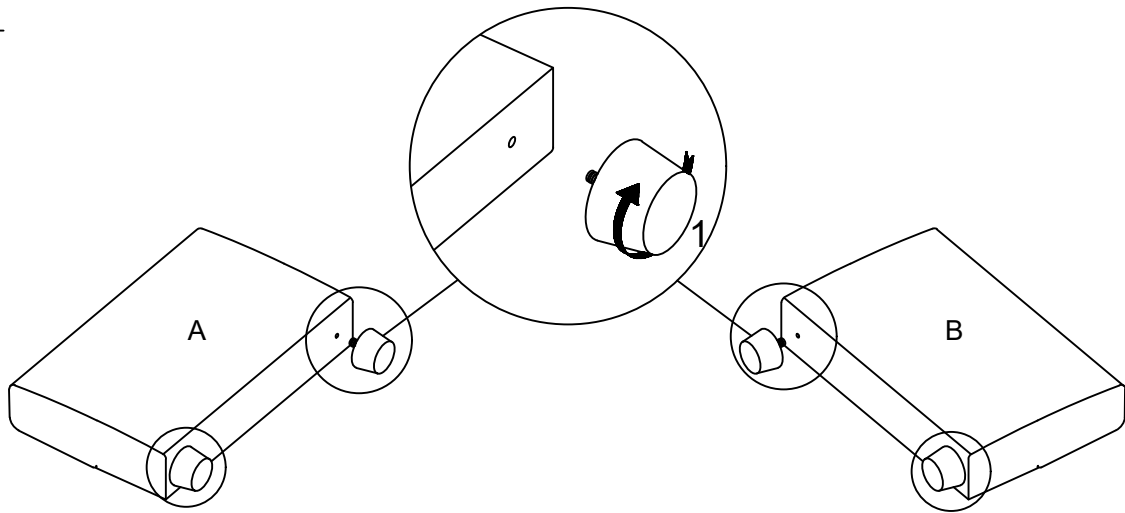
PART LISTS BOX 1:

<p>A</p>  <p>RIGHT HANDED (1 PC)</p>	<p>C</p>  <p>CHAISE BACKREST (1 PC)</p>	<p>E</p>  <p>CHAISE (1 PC)</p>
<p>G</p>  <p>BIG BACK CUSHION (1 PC)</p>	<p>H</p>  <p>SMALL BACK CUSHION (1 PC)</p>	

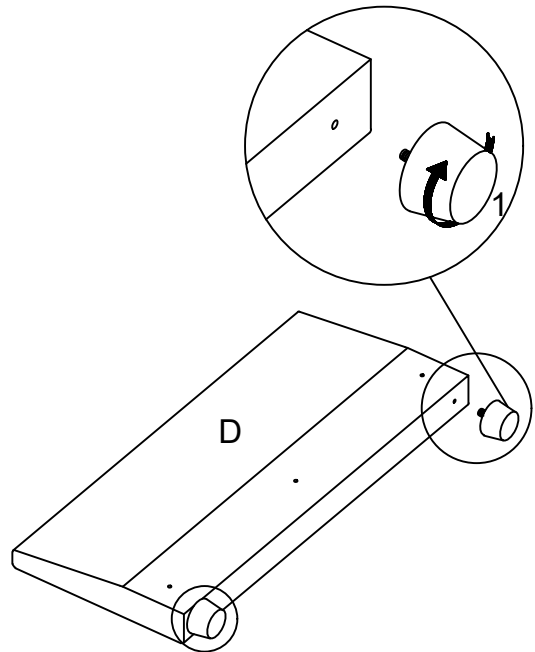
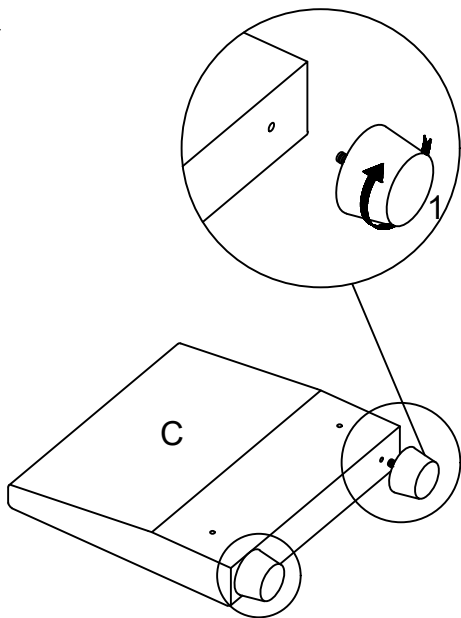
PART LISTS BOX 2:

<p>B</p>  <p>LEFT HANDED (1 PC)</p>	<p>D</p>  <p>LEFT LOVESEAT BACKREST (1 PC)</p>	<p>F</p>  <p>LOVESEAT (1 PC)</p>
<p>G</p>  <p>BIG BACK CUSHION (2 PCS)</p>	<p>H</p>  <p>SMALL BACK CUSHION (2 PCS)</p>	<p>1</p>  <p>LEGS (12 PCS)</p>
<p>2</p>  <p>FULL-THREAD BOLT (11 PCS) (Ø 5/16" X 90mm-RBW)</p>	<p>3</p>  <p>FLAT WASHER (11 PCS) (Ø 5/16" -RBW)</p>	<p>4</p>  <p>HEX NUT (11 PCS) (16mmx13mmx13-RBW)</p>
<p>5</p>  <p>OPEN WRENCH (1 PC) (14MM-RBW)</p>		

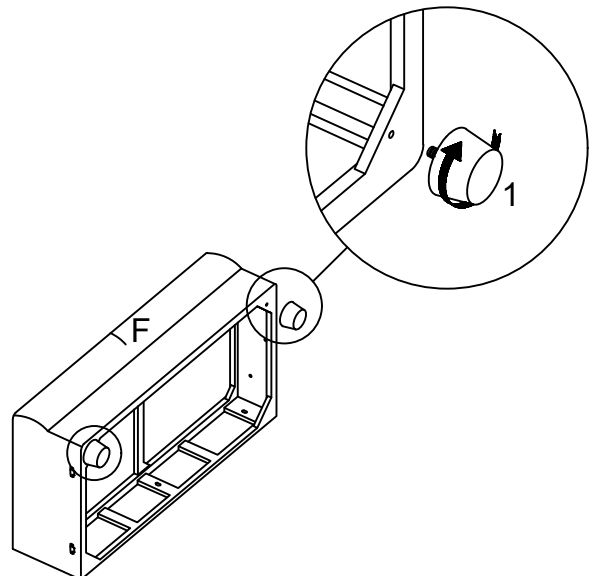
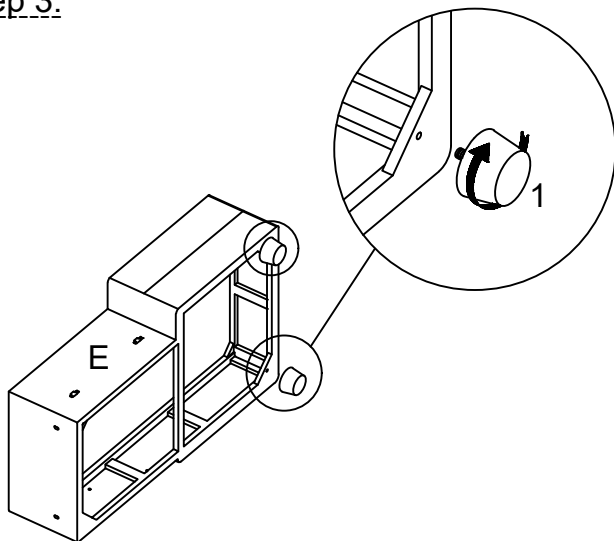
Step 1



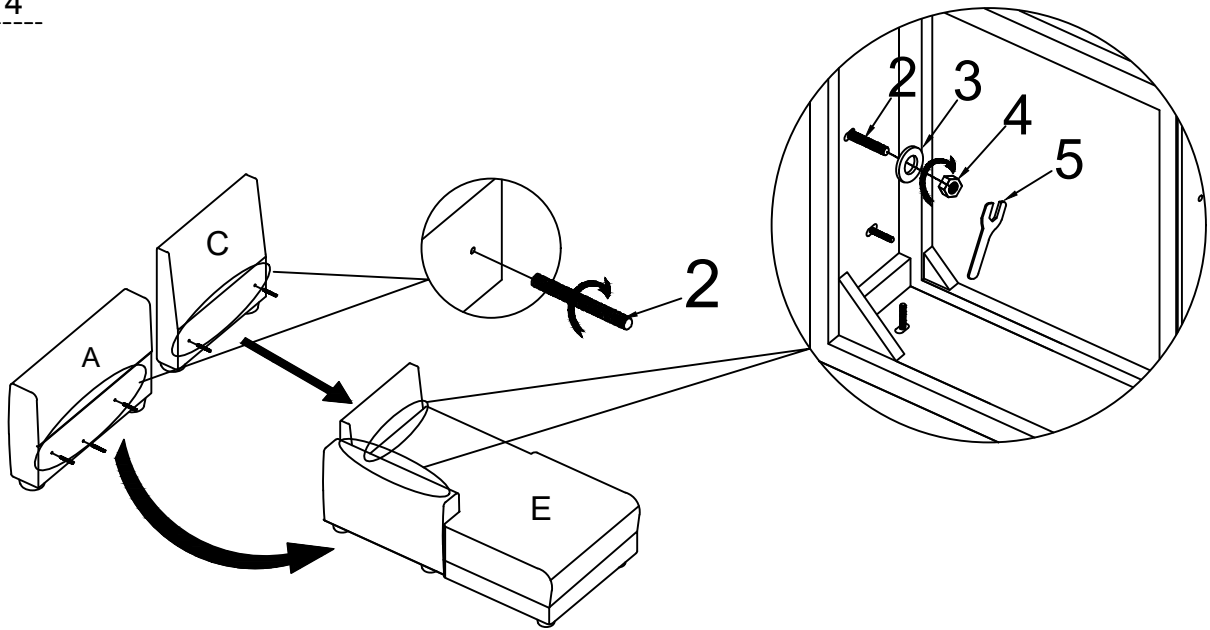
Step 2:



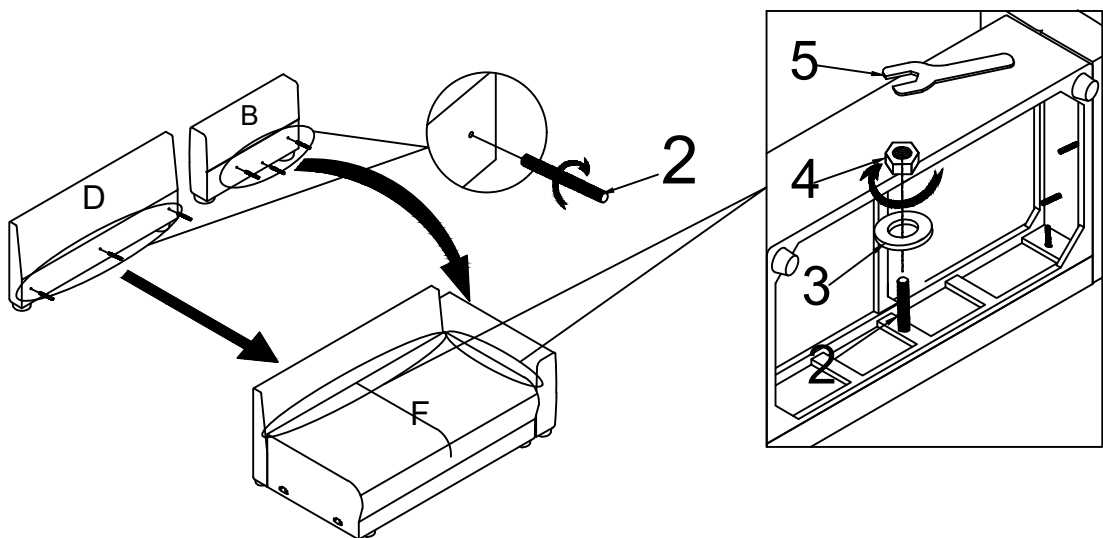
Step 3:



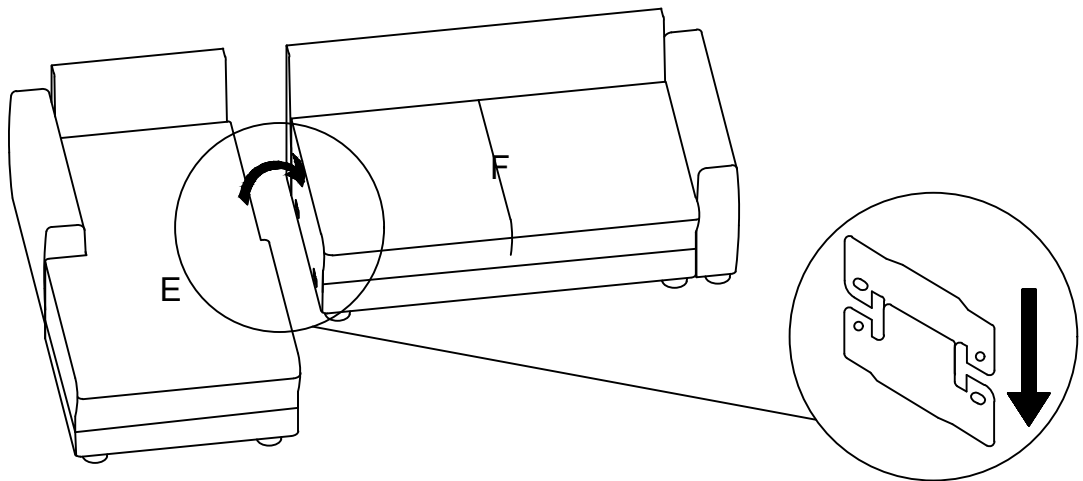
Step 4



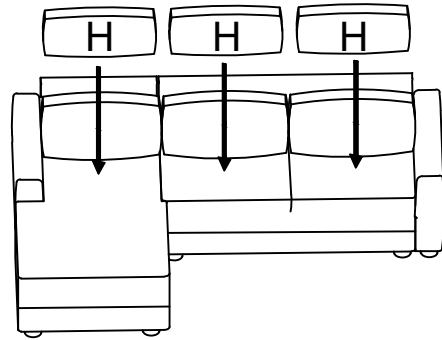
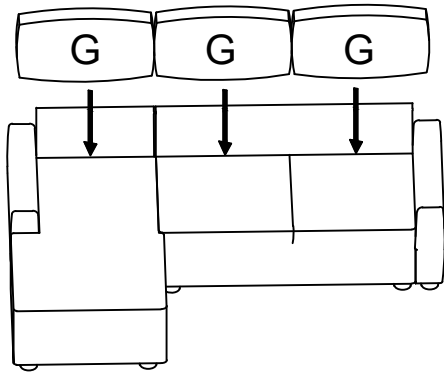
Step 5



Step 6



Step 7:



Step 8: Assembly Complete

