



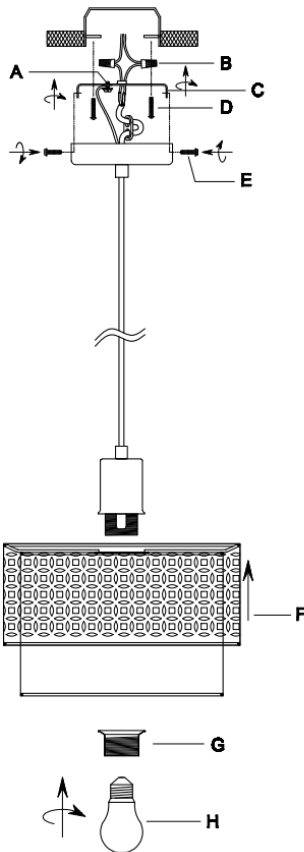
ASSEMBLY INSTRUCTION

 **CAUTION** - Refer to the wattage caution label located near the lamp holder for maximum wattage - do not exceed the maximum wattage.

 **WARNING** - Do not attempt to replace the bulb(s) while the lamp is plugged into a wall receptacle

CARE INSTRUCTIONS - Use only a soft cloth; do not use any chemicals or abrasive cleaners.

IMPORTANT SAFETY INSTRUCTIONS



1. Attach the mounting bracket(C)to the outlet box by using two mounting screws(D).
 2. Pull out the outlet wires and housing grounding wire from the outlet box. Make wire connections using the wire nuts (B):

--WHITE wire with WHITE-NEUTRAL

--BLACK wire with BLACK-LIVE

--Attached the fixture grounding wire to mounting bracket with green grounding screw(A). Carefully tuck the wires back into the outlet box.
 3. Secure the canopy to the metal mounting bracket (C) with screws provided (E).
 4. Attached the lamp shade (F) to the lamp holder, then secure it with socket ring(G).
- Important Note: Socket ring comes pre-assembled and is located on the socket.***
5. Install the bulb H (not included).

E26 Type A.60W X 1 (Not included)

E26 CFL 13W X 1 (Not included)